

P8910

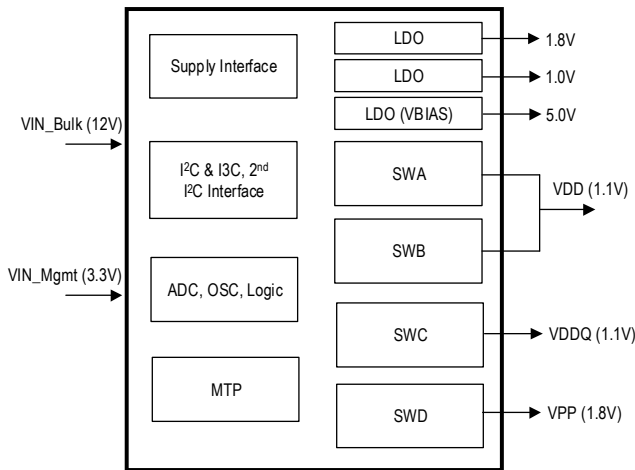
PMIC with Step-Down Switching and LDO Regulators

The P8910 is a highly integrated, highly efficient PMIC with programmable precise output voltage power solution for all DDR5 Server DIMM modules, with four step-down switching output regulators and three LDO output regulators. The PMIC is fully compliant to the JEDEC DDR5 PMIC (PMIC5010; Low Current PMIC) specification. The PMIC is powered from two input power supplies (VIN_Mgmt and VIN_Bulk) from the system board to power its switching and LDO output regulators.

The P8910 has numerous advanced protection schemes to protect itself as well to protect entire BOM contents of DDR5 server DIMM modules. The PMIC offers write protect operation to defend against malicious attacks, and has an advanced I3C bus that can operate at maximum speed of 12.5MHz with low voltage I/O operation.

The PMIC is available in small 5 × 5 mm form factor in VFQFPN package with enhanced solder joint reliability and thermal dissipation.

Block Diagram



Typical Applications

- DDR5 RDIMM for Server/Workstations
- DDR5 LRDIMM for Server/Workstations
- DDR5 NVDIMM for Server/Workstations

Ordering Information

Part Number	Package Description	Carrier Type	Temperature Range	Device Revision
P8910-X0Z001FNG	36-VFQFPN , 5 × 5 mm	Tray	-10 to 125°C	Revision B0
P8910-X0Z001FNG8	36-VFQFPN , 5 × 5 mm	Tape and Reel	-10 to 125°C	

Features

- VIN_Bulk input supply range: 4.25V to 15.0V
- VIN_Mgmt input supply range: 3.0V to 3.6V
- Four step-down switching regulators: SWA, SWB, SWC, and SWD
- Programmable dual-phase and single-phase regulator for SWA and SWB
- Three LDO regulators: VBias, VOUT_1.8V, VOUT_1.0V
- Automatic switchover from VIN_Mgmt input supply to VIN_Bulk input supply
- Error injection capability
- Error log registers
- Write protect mode of operation
- Independently programmable output voltages, power up and power down sequence for switch regulators
- Input and output power-good status reporting mechanism
- VIN_Bulk input supply protection feature: Input overvoltage and input undervoltage
- Output switch regulators protection feature: Output overvoltage, output undervoltage, output current limiter
- Output current measurement, output current threshold mechanism
- Temperature measurement, temperature warning threshold, critical temperature shutdown
- Multi Time Programmable Non-Volatile Memory
- Programmable and DIMM specific registers for customization
- General Status Interrupt Function
- Flexible Open-Drain IO (3.3V, 2.5V, 1.8V, or 1.2V or 1.1V or 1.0V) or Push-Pull IO (1.2V or 1.1V or 1.0V) Support

IMPORTANT NOTICE AND DISCLAIMER

RENESAS ELECTRONICS CORPORATION AND ITS SUBSIDIARIES (“RENESAS”) PROVIDES TECHNICAL SPECIFICATIONS AND RELIABILITY DATA (INCLUDING DATASHEETS), DESIGN RESOURCES (INCLUDING REFERENCE DESIGNS), APPLICATION OR OTHER DESIGN ADVICE, WEB TOOLS, SAFETY INFORMATION, AND OTHER RESOURCES “AS IS” AND WITH ALL FAULTS, AND DISCLAIMS ALL WARRANTIES, EXPRESS OR IMPLIED, INCLUDING, WITHOUT LIMITATION, ANY IMPLIED WARRANTIES OF MERCHANTABILITY, FITNESS FOR A PARTICULAR PURPOSE, OR NON-INFRINGEMENT OF THIRD PARTY INTELLECTUAL PROPERTY RIGHTS.

These resources are intended for developers skilled in the art designing with Renesas products. You are solely responsible for (1) selecting the appropriate products for your application, (2) designing, validating, and testing your application, and (3) ensuring your application meets applicable standards, and any other safety, security, or other requirements. These resources are subject to change without notice. Renesas grants you permission to use these resources only for development of an application that uses Renesas products. Other reproduction or use of these resources is strictly prohibited. No license is granted to any other Renesas intellectual property or to any third party intellectual property. Renesas disclaims responsibility for, and you will fully indemnify Renesas and its representatives against, any claims, damages, costs, losses, or liabilities arising out of your use of these resources. Renesas' products are provided only subject to Renesas' Terms and Conditions of Sale or other applicable terms agreed to in writing. No use of any Renesas resources expands or otherwise alters any applicable warranties or warranty disclaimers for these products.

(Disclaimer Rev.1.0 Mar 2020)

Corporate Headquarters

TOYOSU FORESIA, 3-2-24 Toyosu,
Koto-ku, Tokyo 135-0061, Japan
www.renesas.com

Contact Information

For further information on a product, technology, the most up-to-date version of a document, or your nearest sales office, please visit:
www.renesas.com/contact/

Trademarks

Renesas and the Renesas logo are trademarks of Renesas Electronics Corporation. All trademarks and registered trademarks are the property of their respective owners.