

Description

The F5728 is a highly integrated RF upconverter/downconverter used in 5G beamforming applications targeting the 26GHz and 28GHz bands. The device uses classic Tx and Rx heterodyne architectures to convert 3GHz to 9GHz IF signals to the 5G NR (new radio) millimeter wave (mmWave) bands spanning the 24GHz to 30GHz spectrum. Low-side local oscillator (LO) injection is used for both bands, with the F5728's Tx and Rx mixer cores supporting internal LO frequencies ranging between 15GHz and 27GHz. LO feed requirements are eased by the device's two sequential on-chip LO frequency doublers which yield net multiplicative factors of either 2x or 4x.

All RF, IF, and LO ports use single-ended 50Ω impedances for ease of integration into the signal path. Each device uses a single 2.5V analog supply with 280mA and 250mA of I_{CC} in the Tx and Rx modes, respectively. The digital core and SPI utilize a separate 1.8V supply.

The F5728 is packaged in 4.0 × 4.0 mm, 49-BGA package and is rated for operation over the -40°C to 105°C temperature range.

Typical Applications

- 5G phased arrays
- Massive MIMO

Features

General

- RF range: 24GHz to 30GHz
- IF range: 3GHz to 9GHz
- Two integrated LO frequency doublers
- Operating temperature (T_A) range: -40°C to +105°C
- 4.0 × 4.0 mm, 49-BGA package

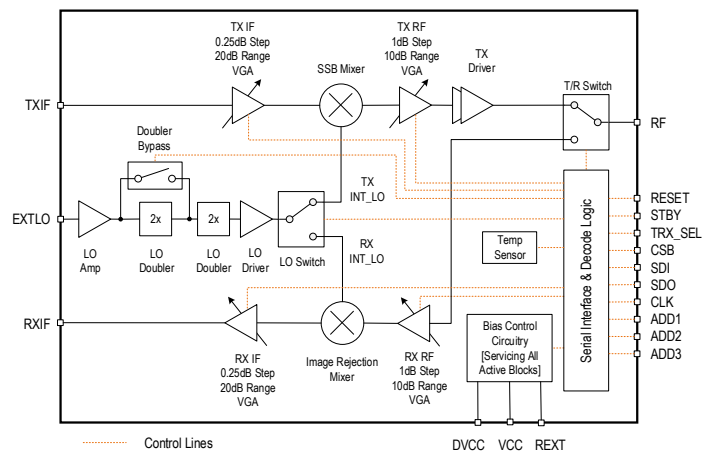
Transmit Mode

- 25dB conversion gain
- +16dBm OP1dB
- 30dB of *Glitch-Free™* gain adjustment
 - 20dB IF adjustment in 0.25dB steps
 - 10dB RF adjustment in 1dB steps
- $I_{CC} = 280mA$ with a 2.5V analog supply voltage (quiescent)

Receive Mode

- 22dB conversion gain
- 7dB noise figure
- 30dB of *Glitch-Free™* gain adjustment
 - 20dB IF adjustment in 0.25dB steps
 - 10dB RF adjustment in 1dB steps
- $I_{CC} = 250mA$ with a 2.5V analog supply voltage

Block Diagram



Ordering Information

Orderable Part Number	Package	MSL Rating	Shipping Packaging	Temperature
F5728ANGI	4.0 × 4.0 mm, 49-BGA	1	Tray	-40°C to +105°C
F5728ANGI8	4.0 × 4.0 mm, 49-BGA	1	Reel	-40°C to +105°C
F5728EVS	Evaluation Board			

Revision History

Revision Date	Description of Change
May 12, 2020	Initial release.

IMPORTANT NOTICE AND DISCLAIMER

RENESAS ELECTRONICS CORPORATION AND ITS SUBSIDIARIES (“RENESAS”) PROVIDES TECHNICAL SPECIFICATIONS AND RELIABILITY DATA (INCLUDING DATASHEETS), DESIGN RESOURCES (INCLUDING REFERENCE DESIGNS), APPLICATION OR OTHER DESIGN ADVICE, WEB TOOLS, SAFETY INFORMATION, AND OTHER RESOURCES “AS IS” AND WITH ALL FAULTS, AND DISCLAIMS ALL WARRANTIES, EXPRESS OR IMPLIED, INCLUDING, WITHOUT LIMITATION, ANY IMPLIED WARRANTIES OF MERCHANTABILITY, FITNESS FOR A PARTICULAR PURPOSE, OR NON-INFRINGEMENT OF THIRD PARTY INTELLECTUAL PROPERTY RIGHTS.

These resources are intended for developers skilled in the art designing with Renesas products. You are solely responsible for (1) selecting the appropriate products for your application, (2) designing, validating, and testing your application, and (3) ensuring your application meets applicable standards, and any other safety, security, or other requirements. These resources are subject to change without notice. Renesas grants you permission to use these resources only for development of an application that uses Renesas products. Other reproduction or use of these resources is strictly prohibited. No license is granted to any other Renesas intellectual property or to any third party intellectual property. Renesas disclaims responsibility for, and you will fully indemnify Renesas and its representatives against, any claims, damages, costs, losses, or liabilities arising out of your use of these resources. Renesas' products are provided only subject to Renesas' Terms and Conditions of Sale or other applicable terms agreed to in writing. No use of any Renesas resources expands or otherwise alters any applicable warranties or warranty disclaimers for these products.

(Disclaimer Rev.1.0 Mar 2020)

Corporate Headquarters

TOYOSU FORESIA, 3-2-24 Toyosu,
Koto-ku, Tokyo 135-0061, Japan
www.renesas.com

Contact Information

For further information on a product, technology, the most up-to-date version of a document, or your nearest sales office, please visit:
www.renesas.com/contact/

Trademarks

Renesas and the Renesas logo are trademarks of Renesas Electronics Corporation. All trademarks and registered trademarks are the property of their respective owners.