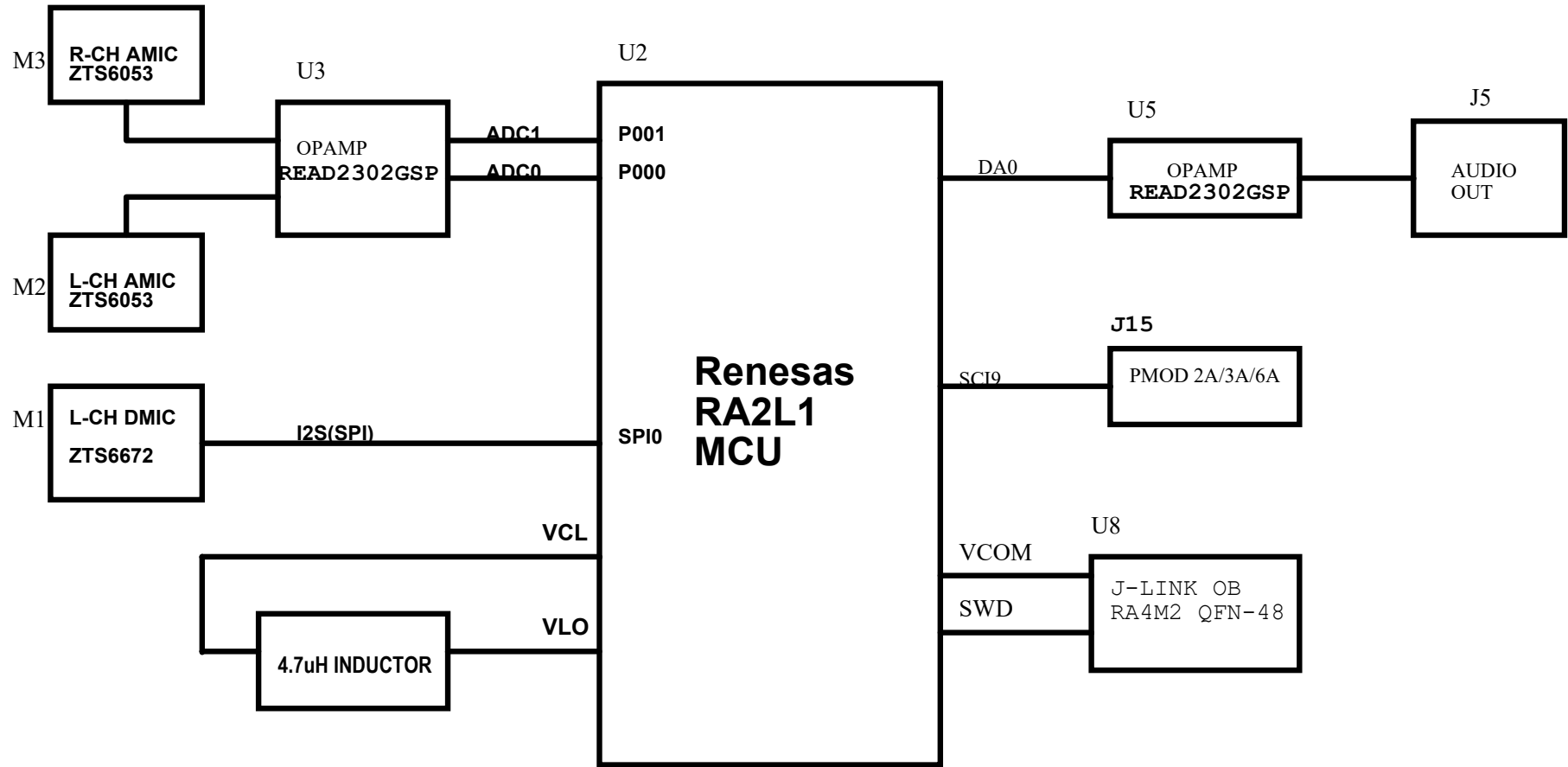


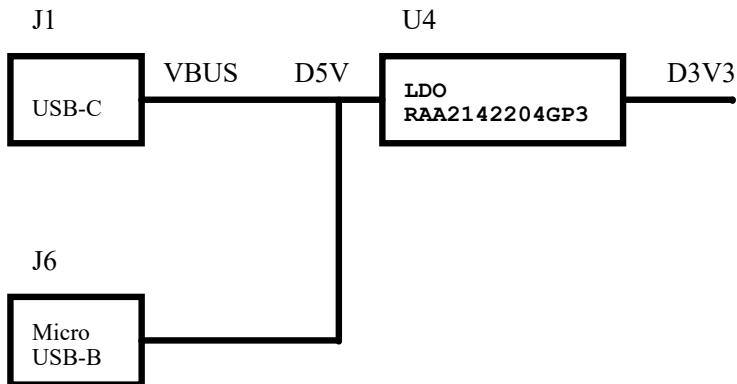
## Table of Contents

1	Title Page
2	Block Diagram
3	RA2L1 MCU
4	J-Link On Board with RA4M2-QFN48

Revision	Date	Description
1	2022/9/6	Initial formal release

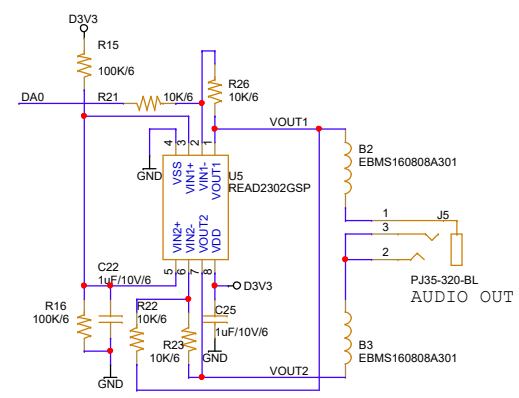
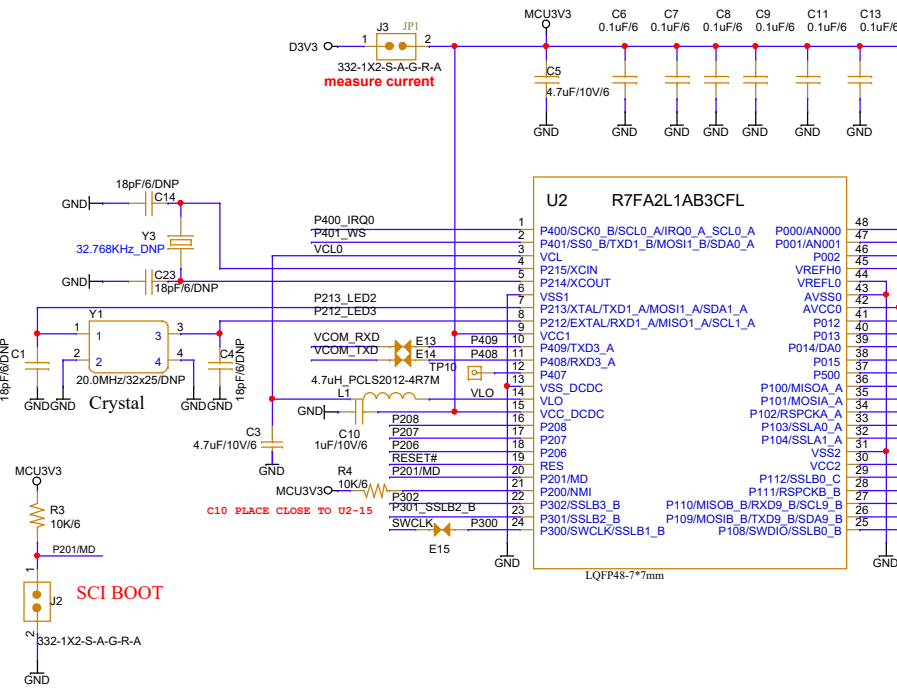
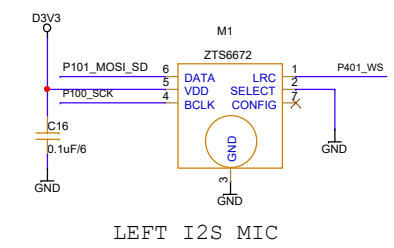
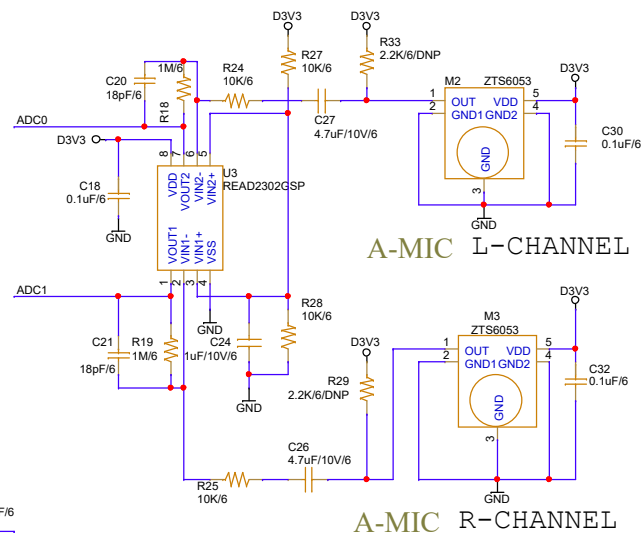
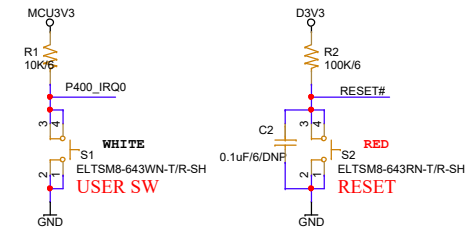


Power

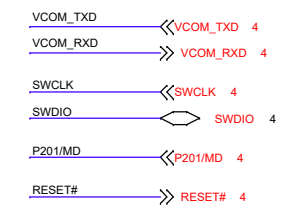
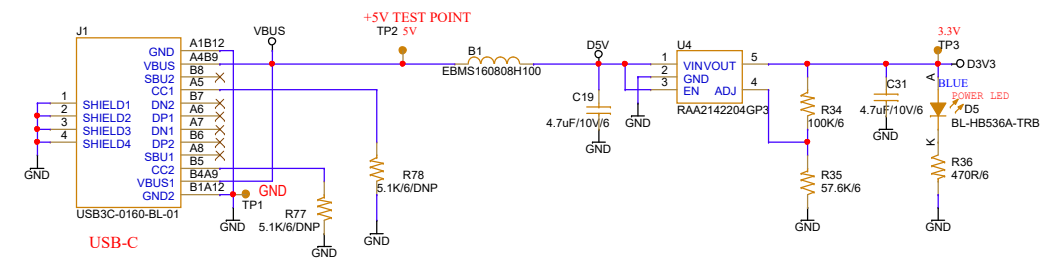
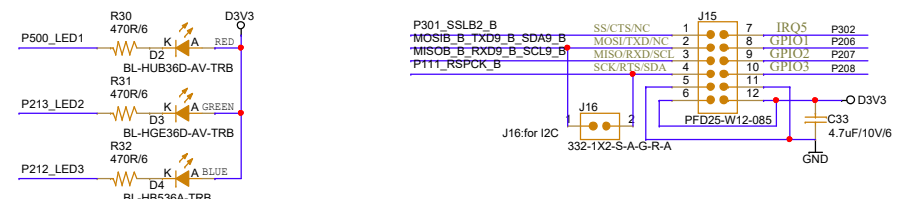


<b>Renesas Electronics</b>		
Title <b>VOICE-RA2L1</b>		
Size A	Document Number 2.VUI_RA2L1_Block	Rev 1
Date:	Tuesday, September 06, 2022	Sheet 2 of 4

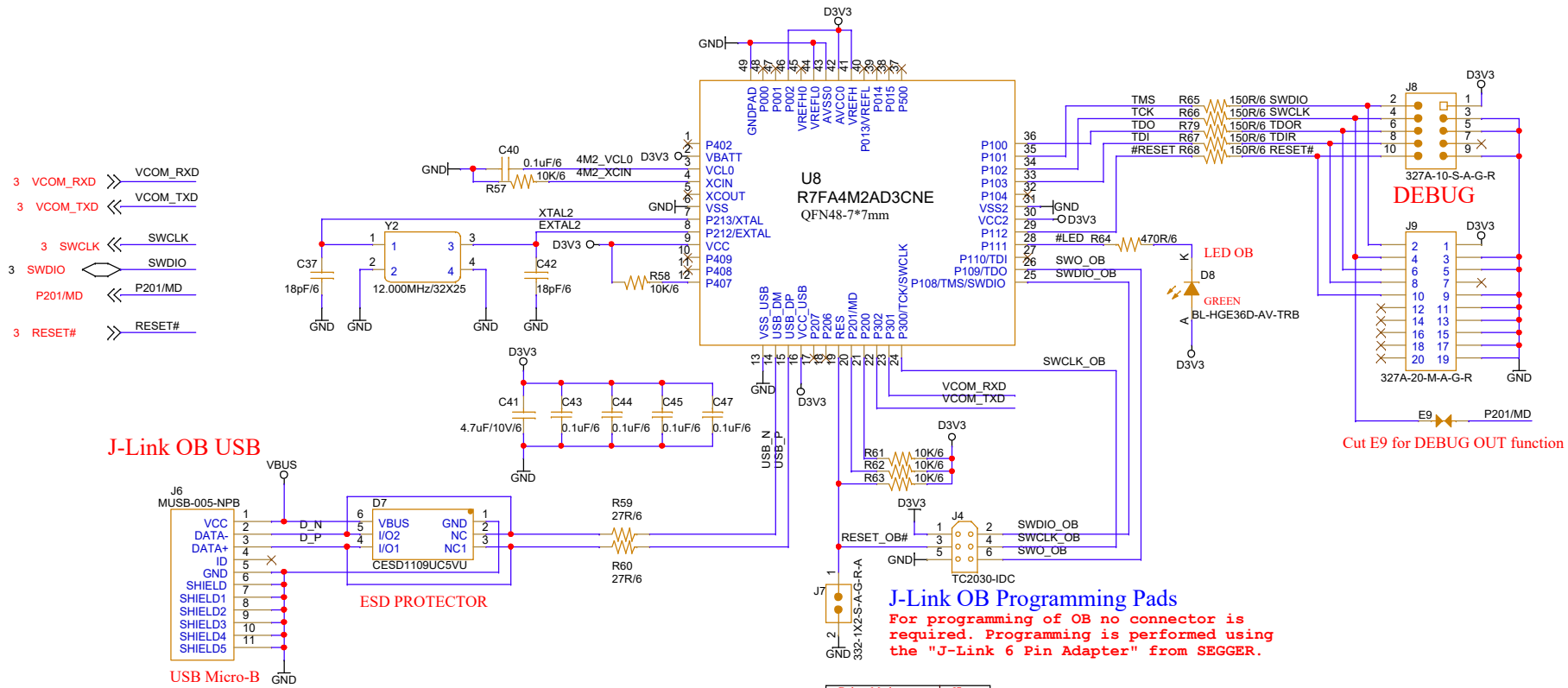
NOTE : DNP is Not Populated



PMOD 2A/3A/6A



<b>Renesas Electronics</b>		
<b>VOICE-RA2L1</b>		
Size	Document Number	Rev
Custom	3.VUI_RA2L1_MCU	1
Date:	Tuesday, September 06, 2022	Sheet 3 of 4



**J-Link OB USB**

Cut E9 for DEBUG OUT function

**J-Link OB Programming Pads**  
 For programming of OB no connector is required. Programming is performed using the "J-Link 6 Pin Adapter" from SEGGER.

Debug Modes	J7
Debug on-board	Open
Debug in	Short

NOTES:  
 1. THE +5V AND GROUND TEST POINTS MAY BE ALTERNATELY USED TO SUPPLY +5V FROM AN EXTERNAL SOURCE.