


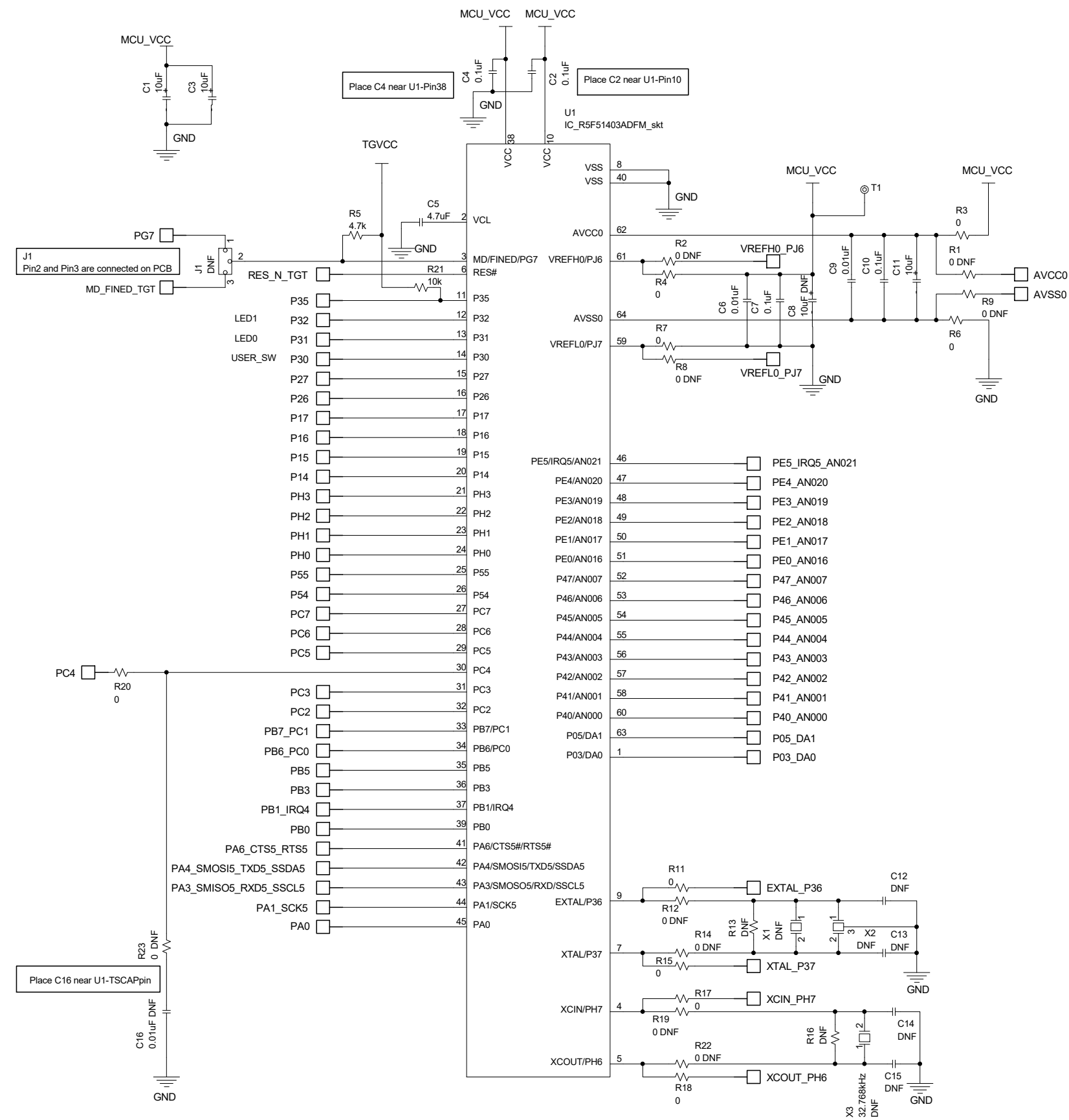
Target Board for RX140 Schematic
(Product No: RTK5RX1400C00000BJ)

PAGE	DESCRIPTION
1	Index
2	MAIN
3	USER BLOCK
4	Emulator Circuit

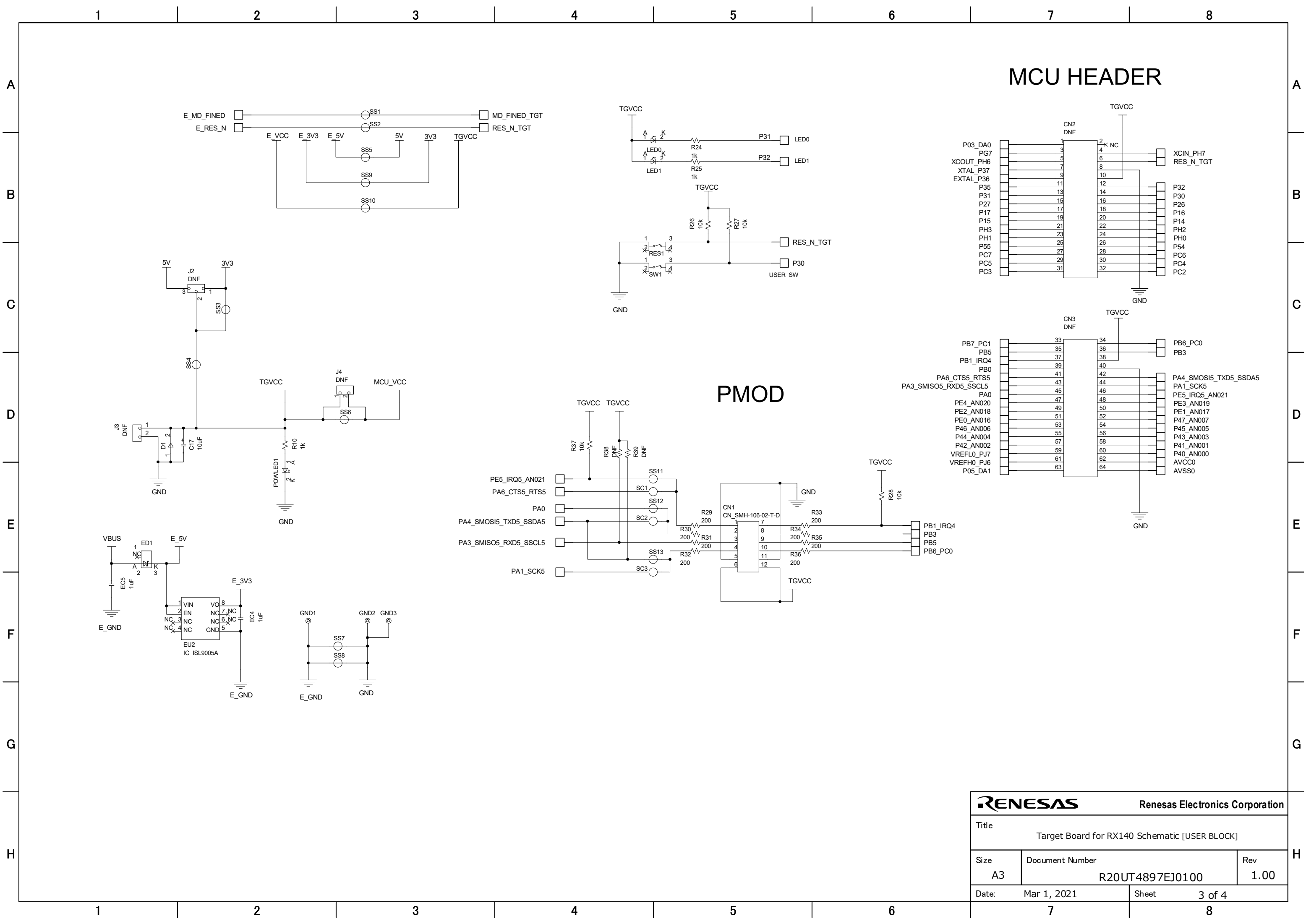
- Note:
- C, EC : Capacitor
 - D : Diode
 - R : Fixed Resistor
 - U, EU : Integrated Circuit
 - X : Crystal, Oscillator
 - SW, RES : Switch
 - LED : Light Emitting Diode
 - J, CN : Connector
 - N.C. : Not connected
 - ⊖ SS : Short-pad Short-type(Default : Short)
 - ⊖ SO : Short-pad Open-type(Default : Open)

* "DNF" marking means that component is not fitted by default.

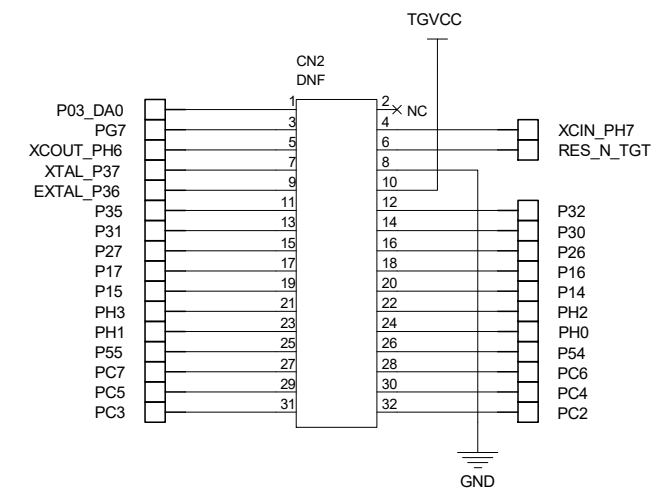
		Renesas Electronics Corporation	
Title Target Board for RX140 Schematic [Index]			
Size A3	Document Number R20UT4897EJ0100		Rev 1.00
Date: Mar 1, 2021	Sheet 1 of 4		



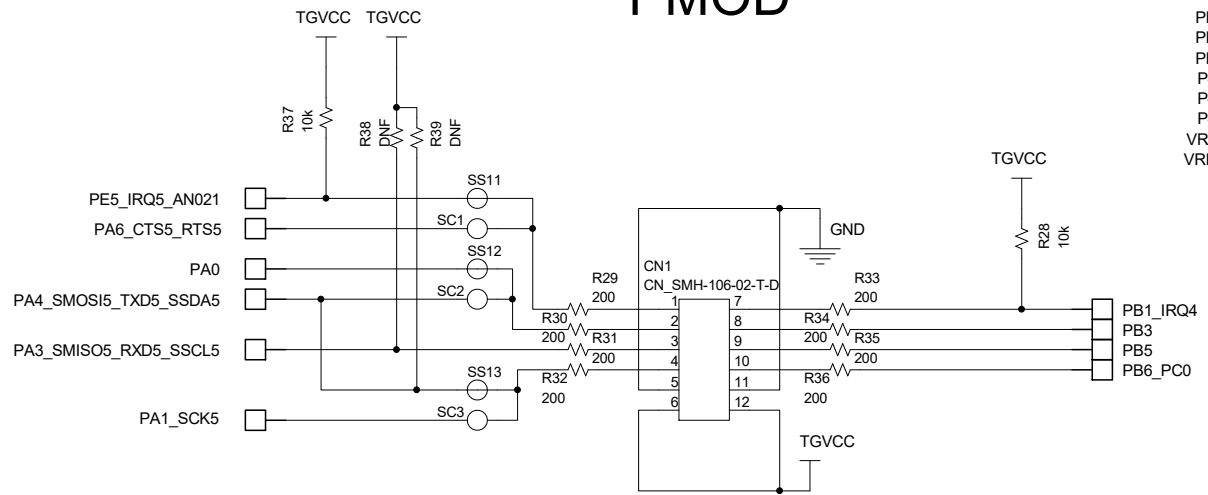
RENESAS		Renesas Electronics Corporation	
Title Target Board for RX140 Schematic [MAIN]			
Size A3	Document Number R20UT4897EJ0100	Rev 1.00	
Date: Mar 1, 2021	Sheet 2 of 4		



MCU HEADER



PMOD



RENESAS		Renesas Electronics Corporation	
Title Target Board for RX140 Schematic [USER BLOCK]			
Size A3	Document Number R20UT4897EJ0100	Rev 1.00	
Date: Mar 1, 2021	Sheet 3 of 4		

1 2 3 4 5 6 7 8

A

A

B

B

C

C

D

D

E

E

F

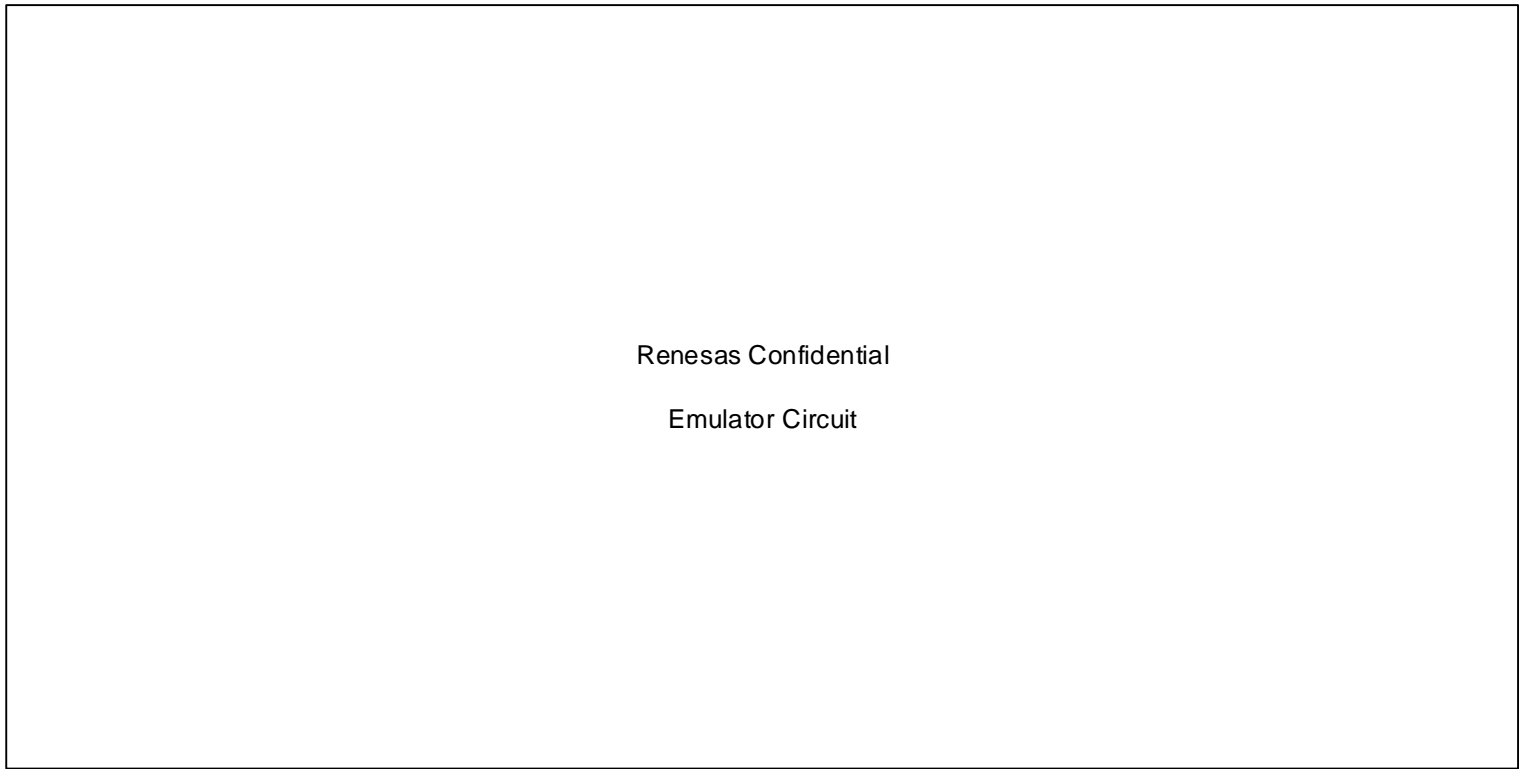
F

G

G

H

H



RENESAS		Renesas Electronics Corporation	
Title Target Board for RX140 Schematic [Emulator Circuit]			
Size A3	Document Number R20UT4897EJ0100		Rev 1.00
Date: Mar 1, 2021	Sheet 4 of 4		

1 2 3 4 5 6 7 8