

RL78/G24 Fast Prototyping Board Schematic

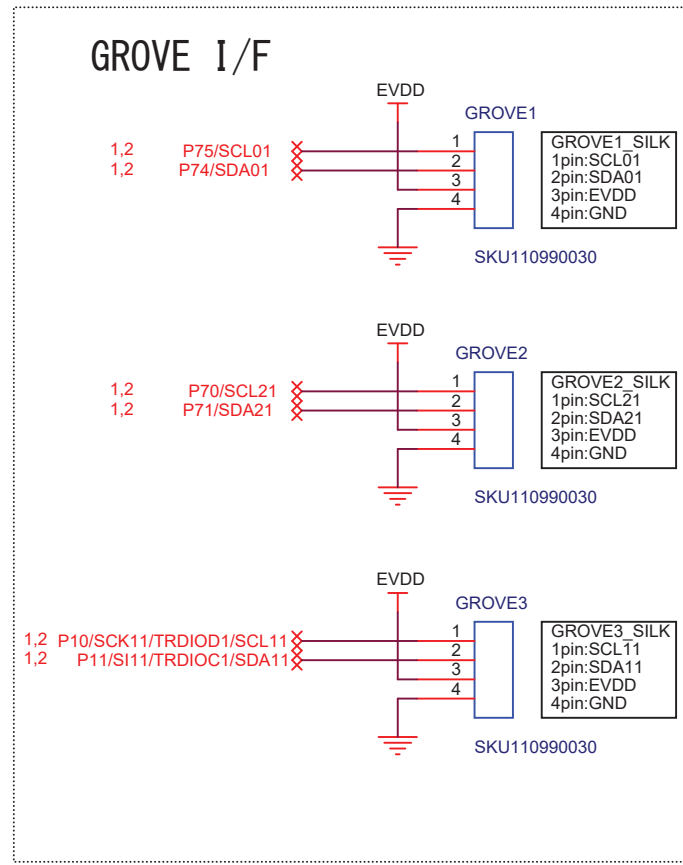
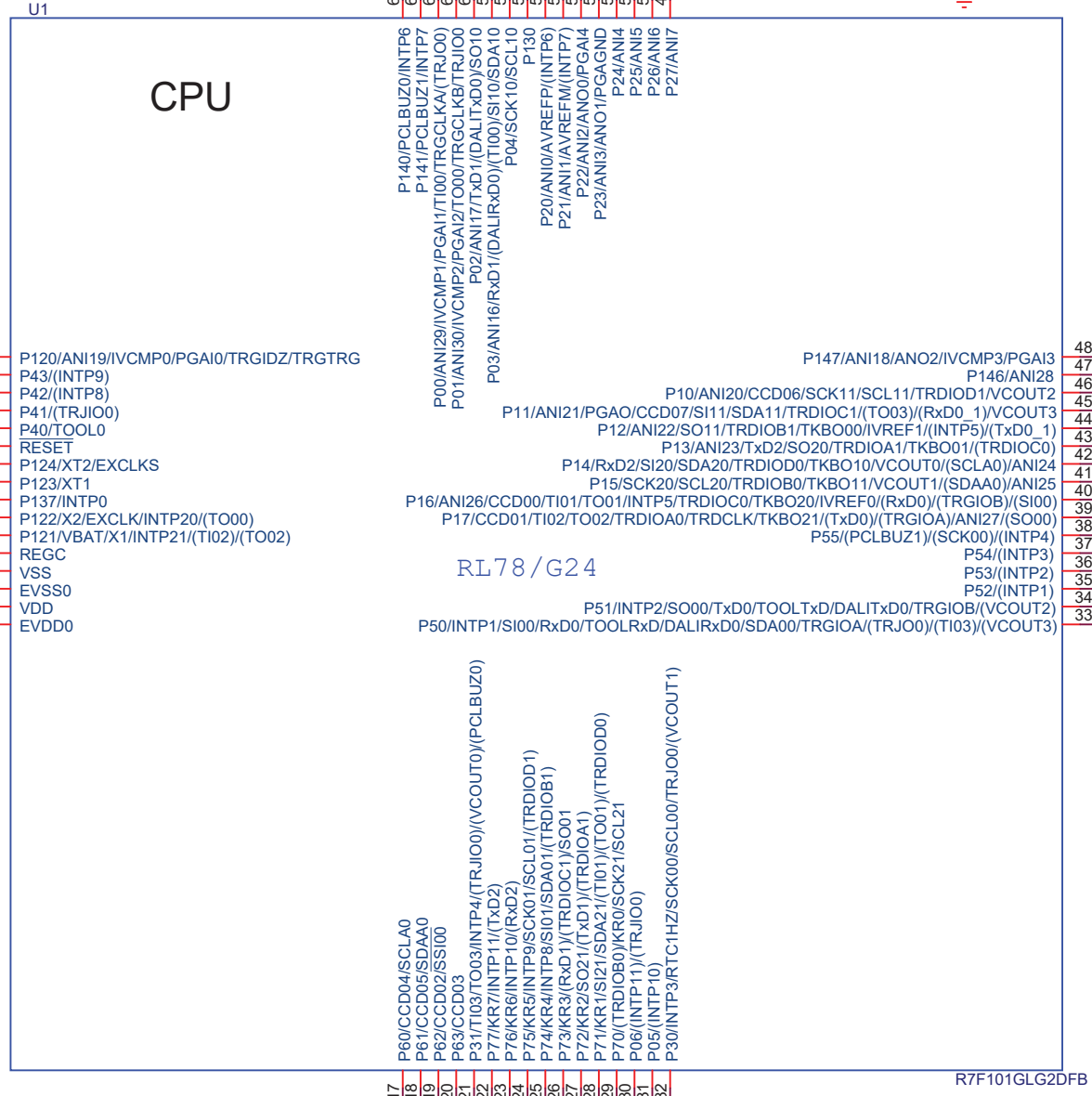
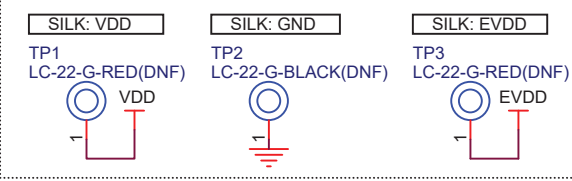
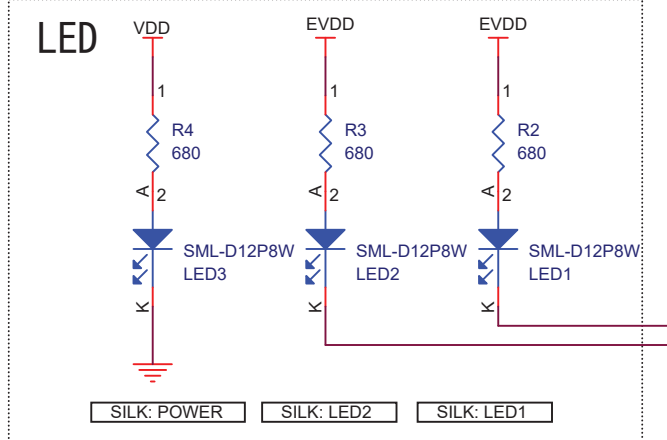
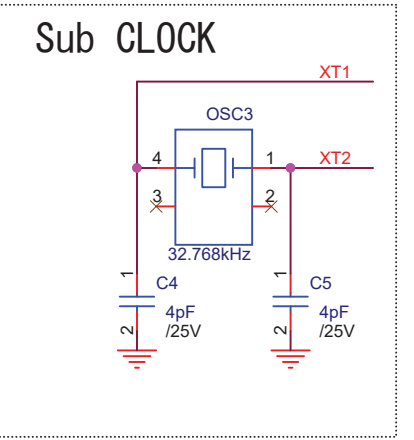
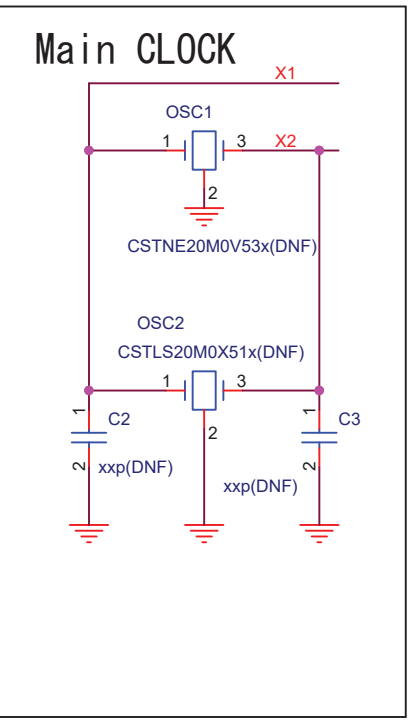
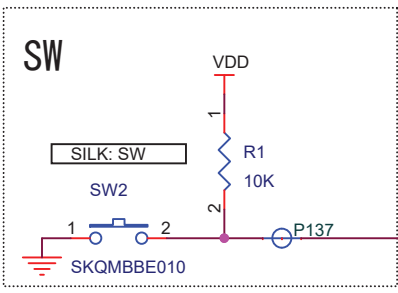
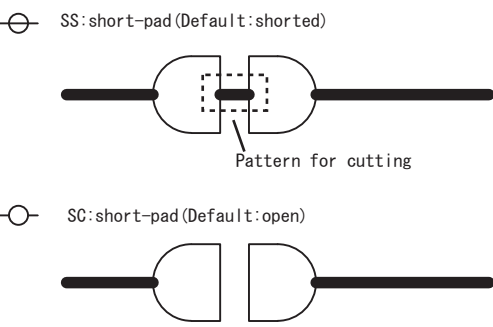
Product No: RTK7RLG240C00000BJ

Document No:R20UT5092EJ Rev.1.00

Page1 : CPU, GROVE I/F, LED, SW, CLOCK

Page2 : POWER, Micro USB I/F, E2 Emulator I/F, Reset, MCU Header, Pmod I/F, Arduino UNO R3 I/F

*(DNF) : Do not fit(Unmount)



Shielded the line with GND

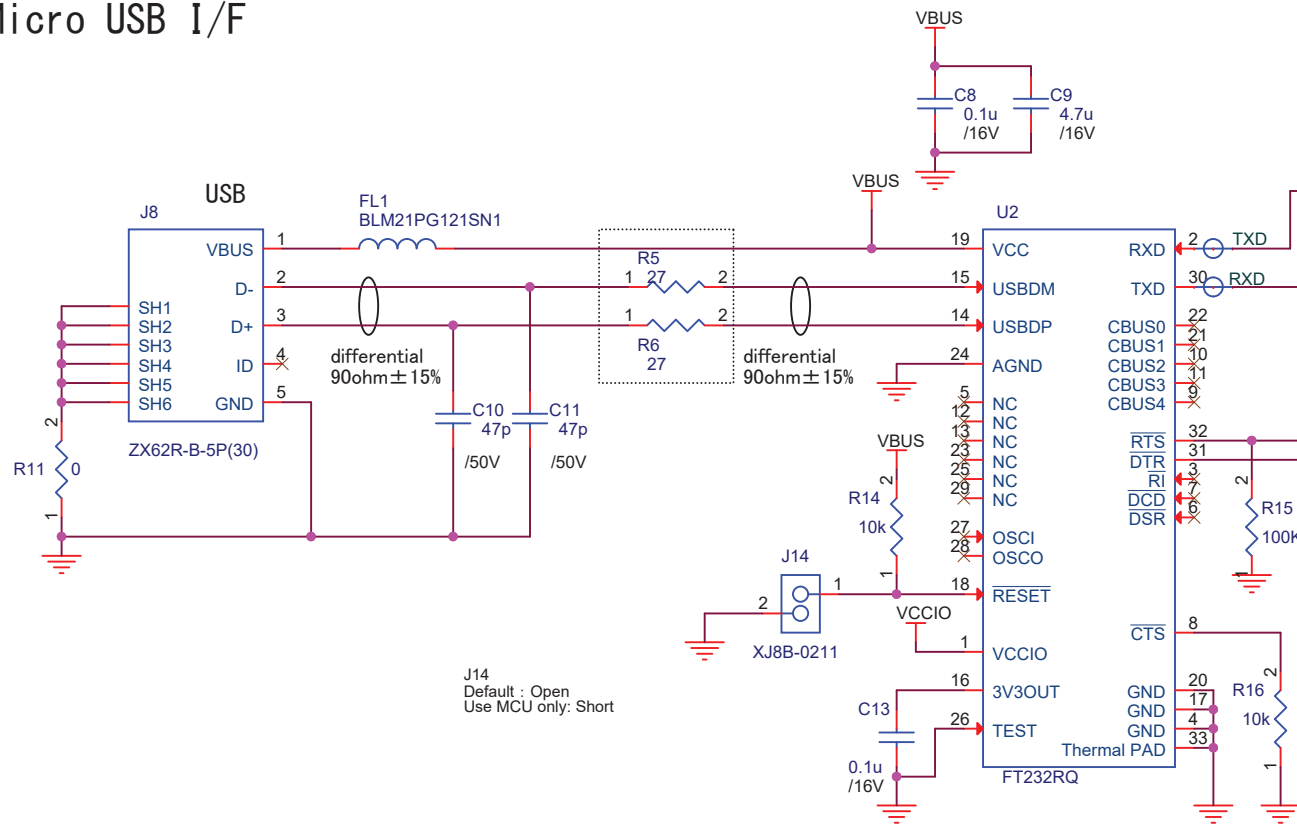
OSC1, OSC2, X1, X2, XT1, XT2, RESET, T_RESET

The power line thickened

VDD, EVDD, REGC, 5V, VBUS, 3V3, Pmod1_VCC, Pmod2_VCC

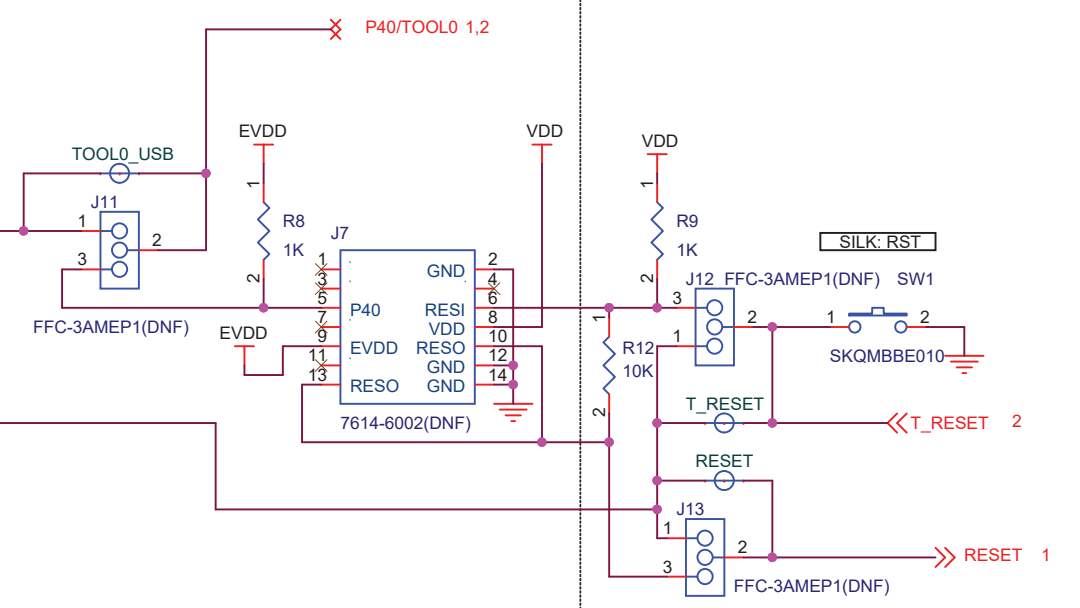
RENASAS		Renesas Electronics Corporation	
Title			
RTK7RLG240C00000BJ			
Size	Document Number	Rev	
A3	R20UT5092EJ	1.0	
Date:	Apr 16, 2023	Sheet	1 of 2

Micro USB I/F



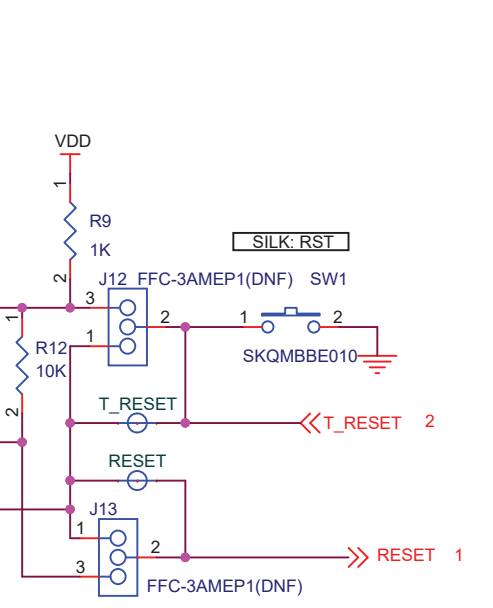
J14
Default : Open
Use MCU only: Short

E2 Emulator I/F

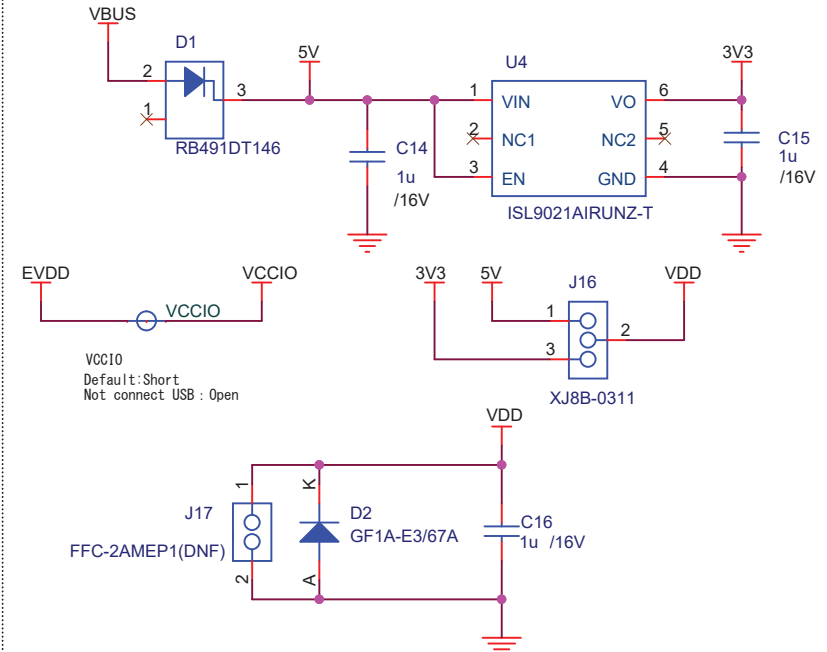


J11, J12, J13
1-2 short : COM port Debug
2-3 short : E2/E2 Lite Emulator

RESET

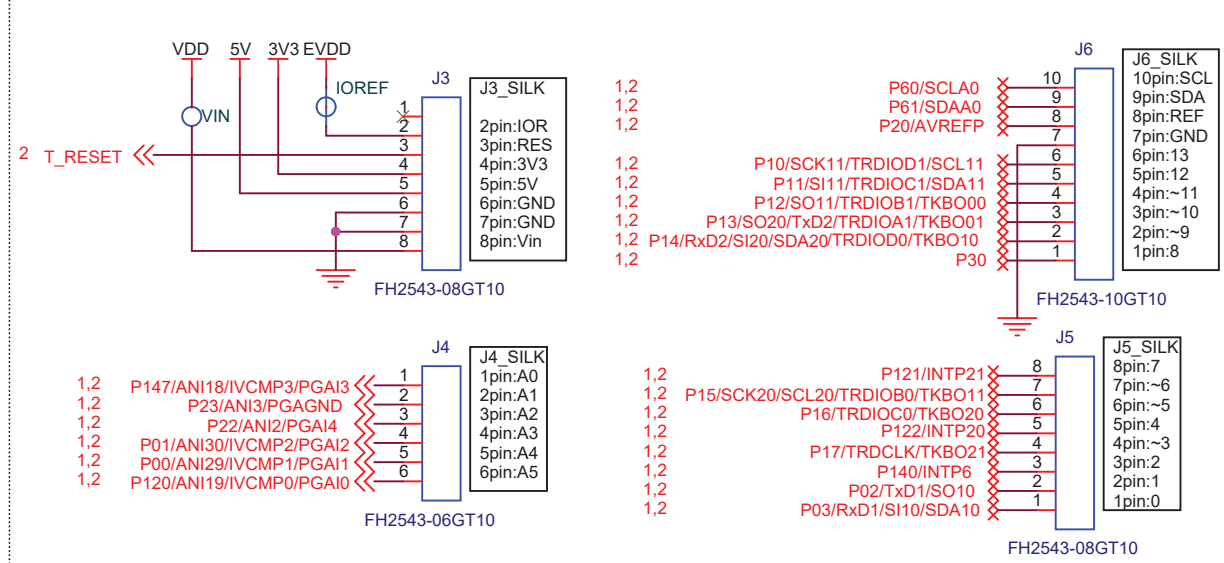


Power

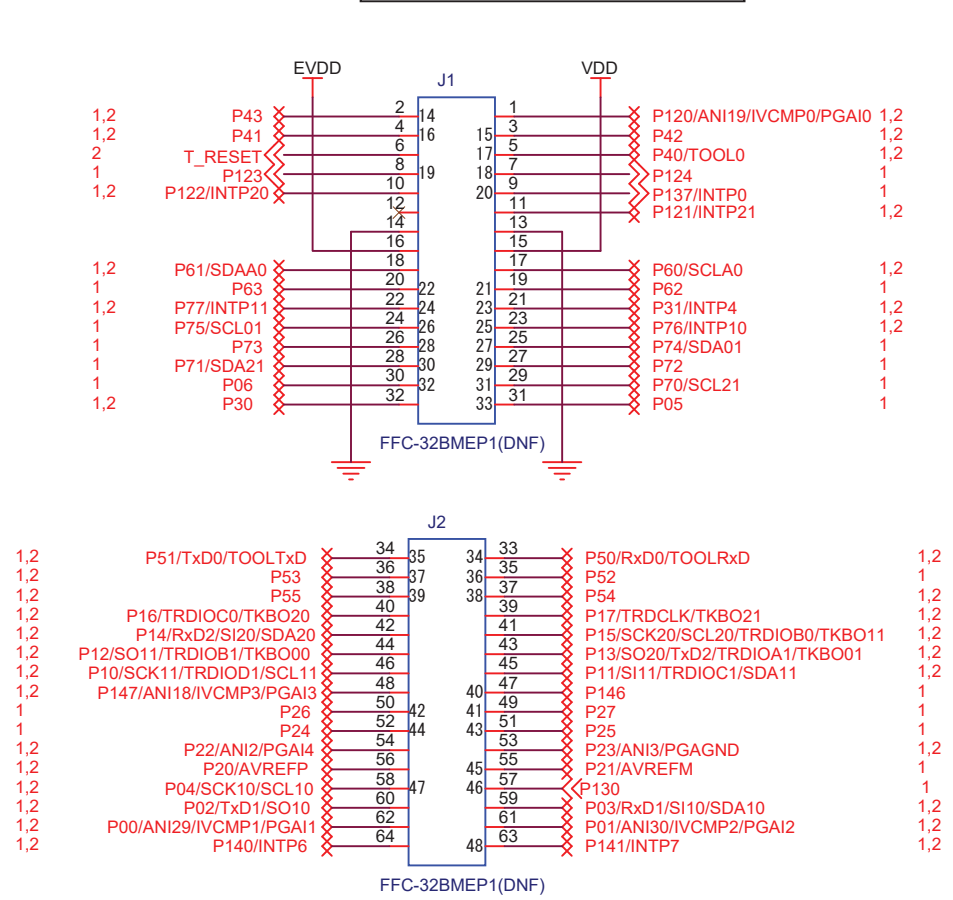


VCCIO
Default: Short
Not connect USB : Open

Arduino UNO R3 I/F

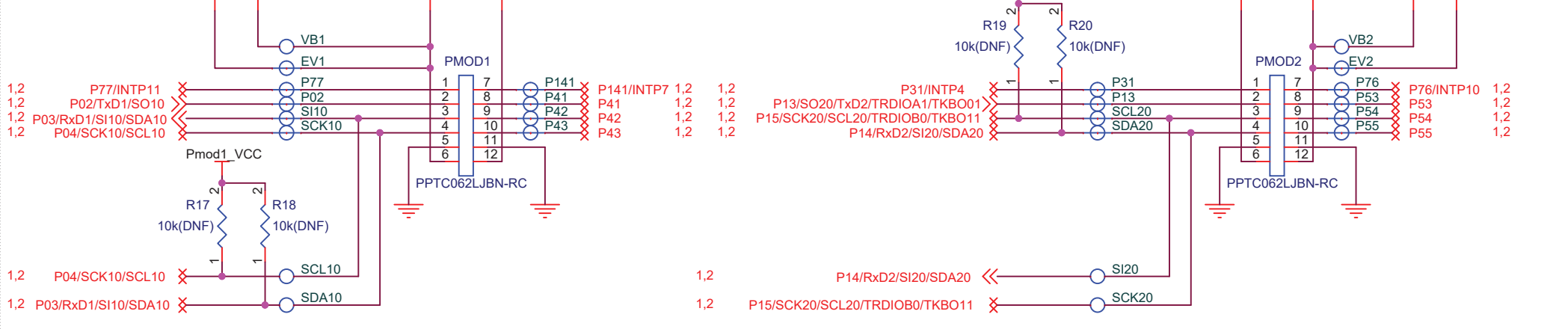


MCU header I/F



SILK : Parts side...Number is in the frame
Solder side...Number is Port(Pxx)

Pmod I/F



RENESAS		Renesas Electronics Corporation	
Title RTK7RLG240C00000BJ			
Size A3	Document Number R20UT5092EJ	Rev 1.0	
Date: Apr 16, 2023	Sheet 2		of 2