

# RL78/G23-64p Fast Prototyping Board Schematic

Product No: RTK7RLG230CLG000BJ

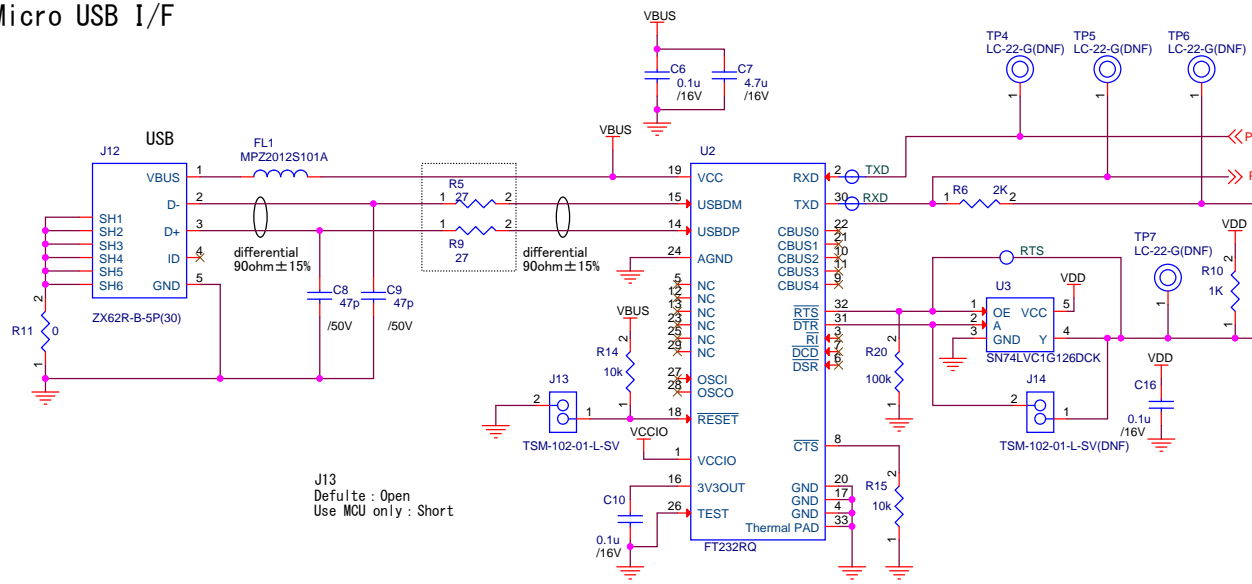
Document No:R20UT4931EJ Rev.1.00

Page 1 : CPU, GROVE I/F, Arduino UNO R3 I/F, MCU Header

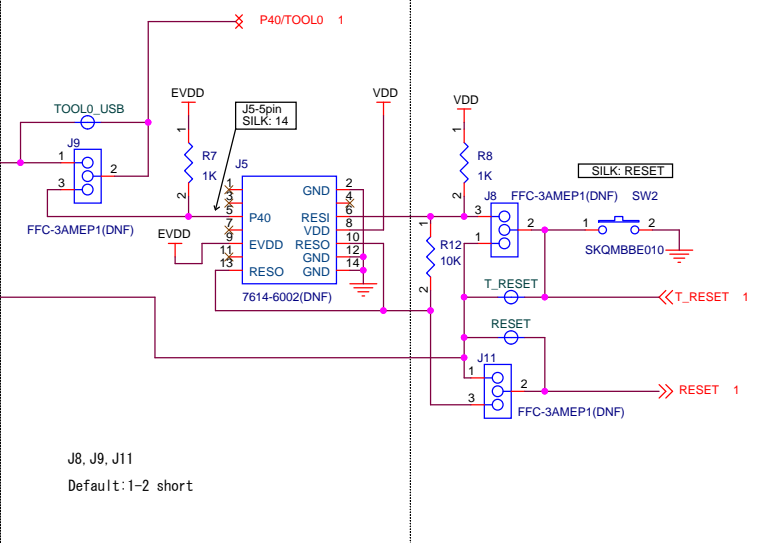
Page 2 : POWER, Micro USB I/F, E2 Emulator I/F, Reset



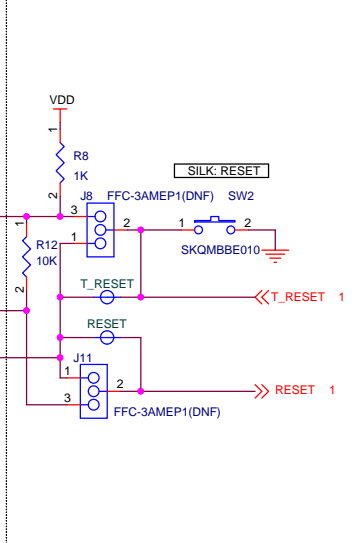
# Micro USB I/F



# E2 Emulator I/F



# RESET



# LDO

