

A

B

C

D

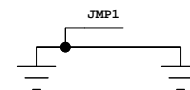
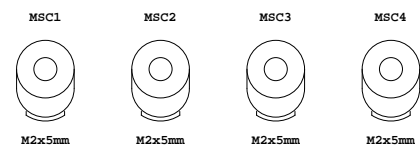
E

F

REVISION TABLE

REV.	DATE	ENGINEER	NOTES
A	22/03/2018	AF	Release version
B	16/02/2022		Rebranded to Renesas

MECHANICAL PARTS



SCHEMATIC TEMPLATE REV.xdxd_V7 (01-06-2017)

DESIGNED BY:
Allan Fisher
Harald Bernrader-Hauns

REVIEWED BY:
AF, GC
SO, HT, NU, KY, KH

SAVED DATE:
REVIEWED DATE:
16/02/2022

SIZE
A3L

TITLE: DA9070 / 73 demo board
VARIANT: Master Sch no Var defined

320-30-A1

BOARD NO. _____ Sch. Rev. _____ Var. Rev. _____

DRAWING No:
SHEET NAME:
1

PAGE: 1 of 3

A

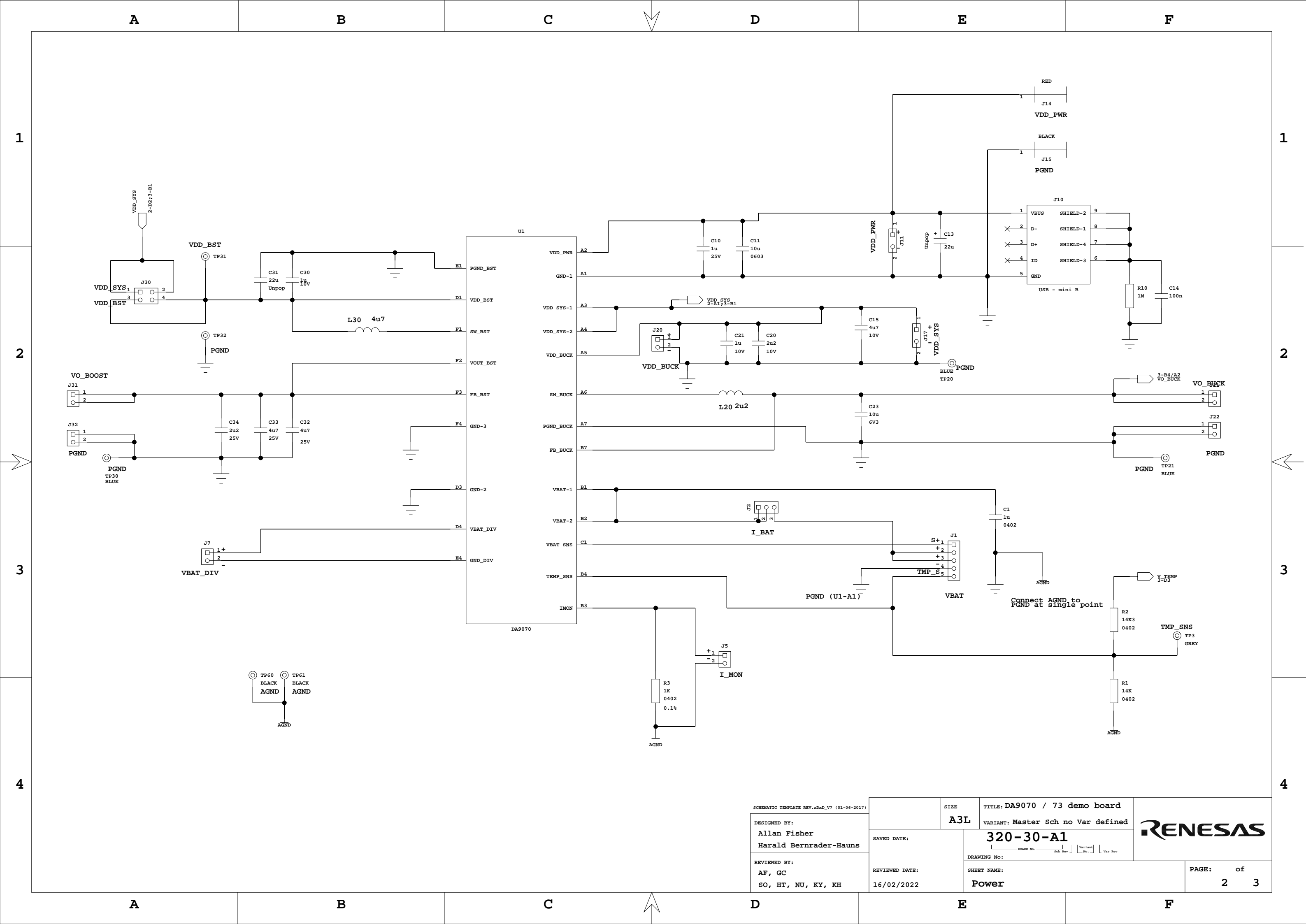
B

C

D

E

F



SCHMATIC TEMPLATE REV.xdxd_V7 (01-06-2017)

DESIGNED BY:
Allan Fisher
Harald Bernrader-Hauns

REVIEWED BY:
AF, GC
SO, HT, NU, KY, KH

SIZE
A3L

SAVED DATE:

REVIEWED DATE:
16/02/2022

TITLE: DA9070 / 73 demo board
VARIANT: Master Sch no Var defined

320-30-A1

DRAWING No:

SHEET NAME:
Power

RENESAS

PAGE: 2 of 3

A

B

C

D

E

F

1

1

2

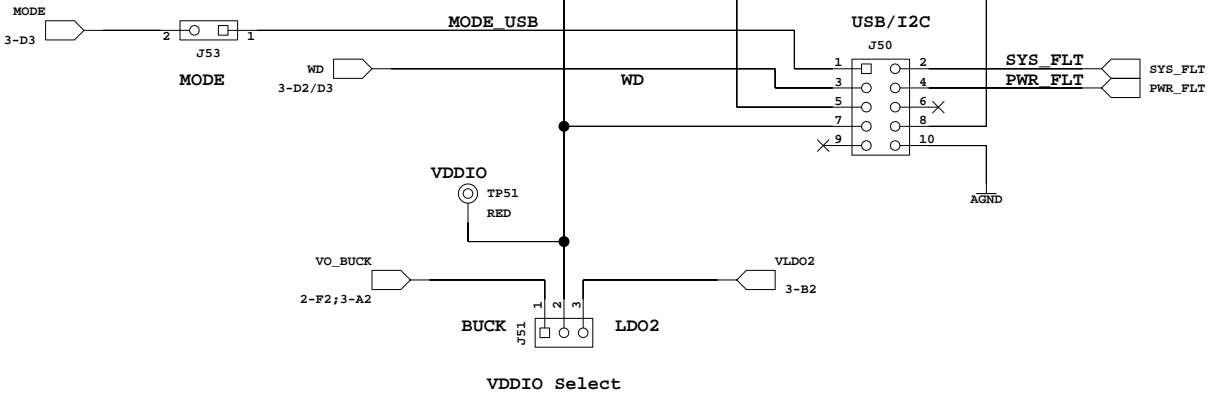
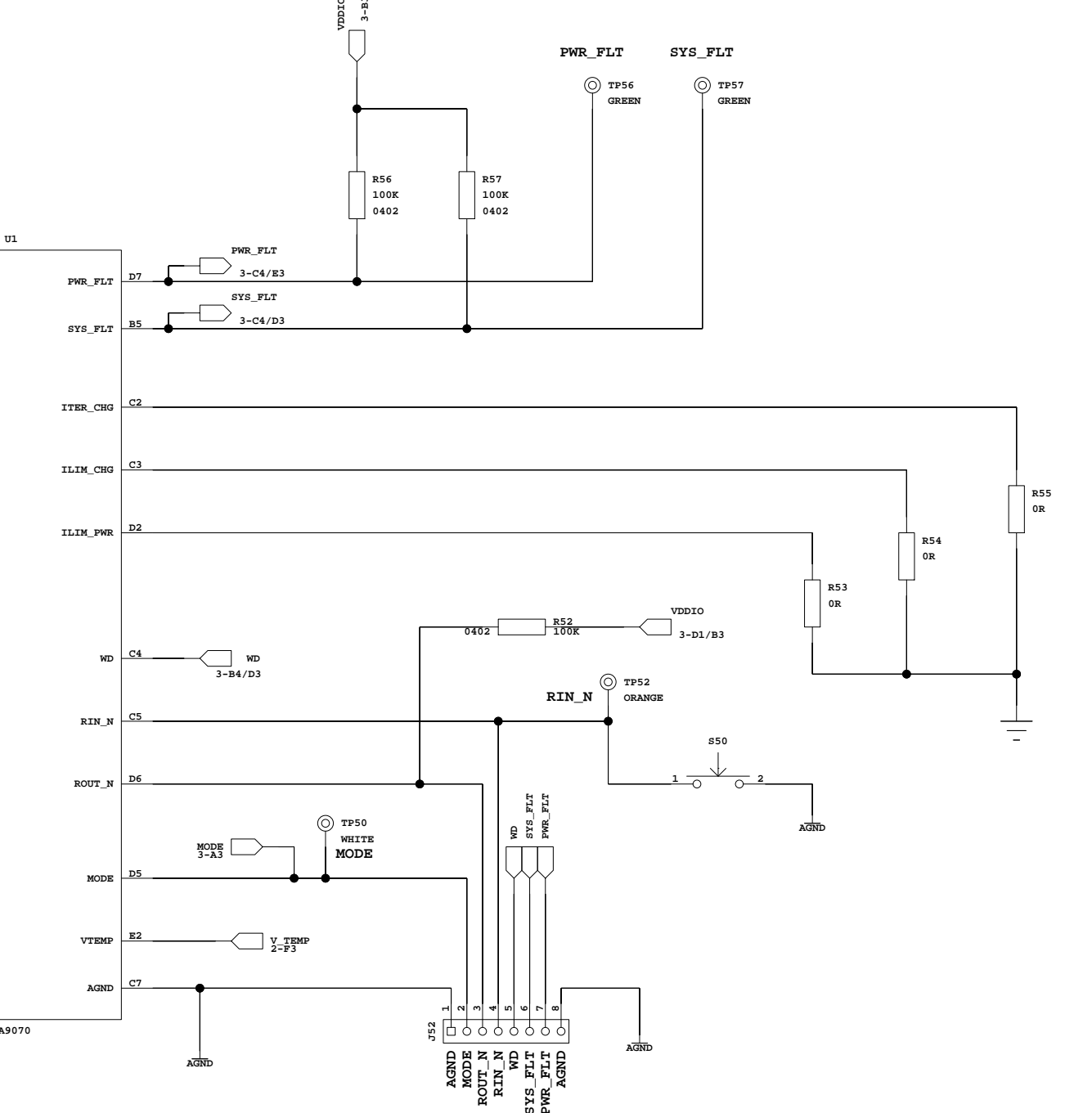
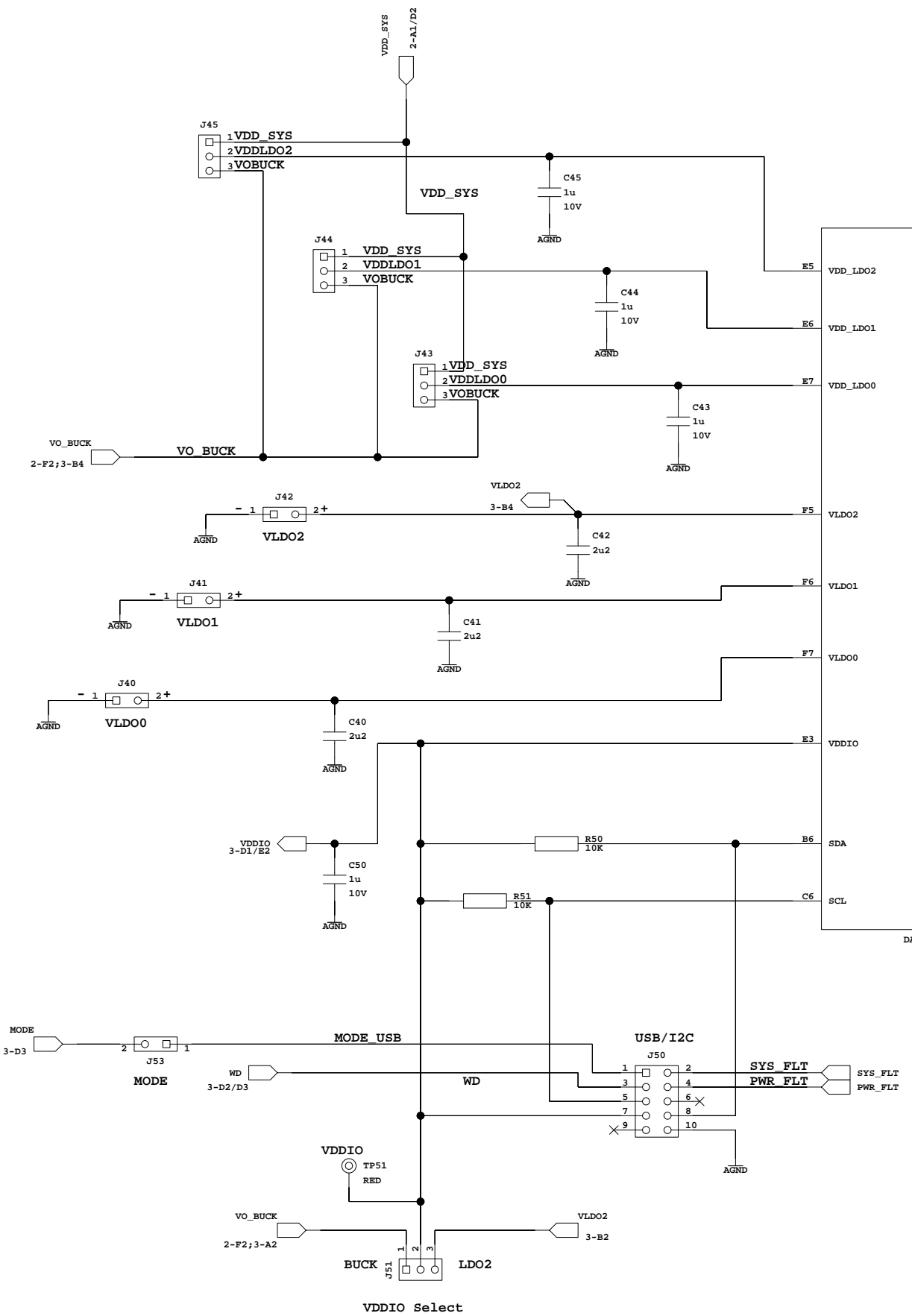
2

3

3

4

4



SCHEMATIC TEMPLATE REV.XDXD_V7 (01-06-2017)

DESIGNED BY:
Allan Fisher
Harald Bernrader-Hauns

REVIEWED BY:
AF, GC
SO, HT, NU, KY, KH

SAVED DATE:

REVIEWED DATE:
16/02/2022

SIZE
A3L

TITLE: DA9070 / 73 demo board
VARIANT: Master Sch no Var defined
320-30-A1

DRAWING No:
SHEET NAME:
LDOS

RENESAS

PAGE: 3 of 3

A

B

C

D

E

F