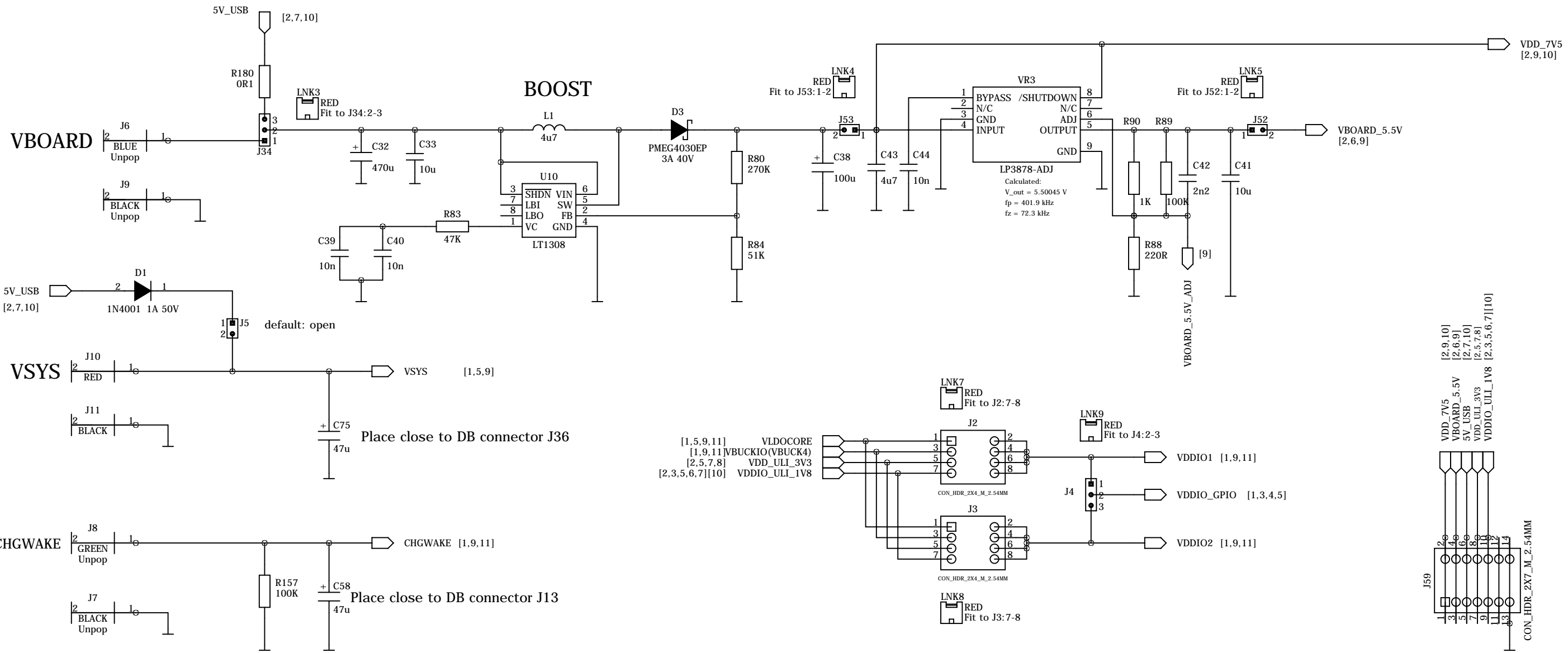


PROPRIETARY INFORMATION		TITLE: DA9061/62/63 MotherBoard 232-01-B1	
PREPARED: TG	DATED: 18/07/2016	DRAWING NO: 232-01-B	REV: 3
RESPONSIBLE: AS	DATED: 09-01-2014	SHEET NAME: [1]_BOARD_IF_HEADERS	
			PAGE: 1 OF 12

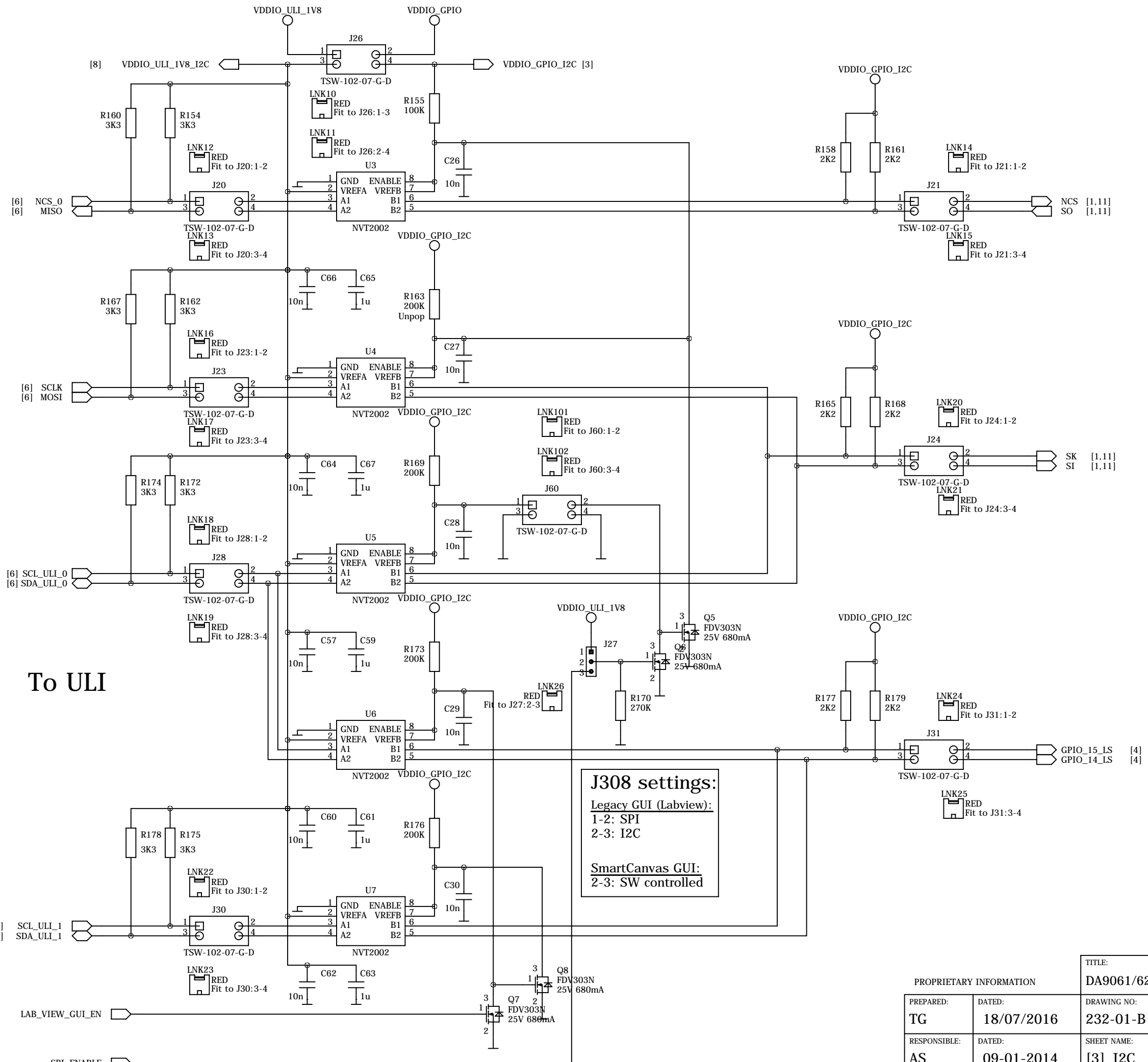




SCHEMATIC TEMPLATE REV PA2 (November 30, 2011) DIALOG DOCUMENT NUMBER 31-902-03

PROPRIETARY INFORMATION		TITLE: DA9061/62/63 MotherBoard 232-01-B1	
PREPARED: TG	DATED: 18/07/2016	DRAWING NO: 232-01-B	REV: 3
RESPONSIBLE: AS	DATED: 09-01-2014	SHEET NAME: [2]_PWR_IN	PAGE: 2 OF 12





To DUT

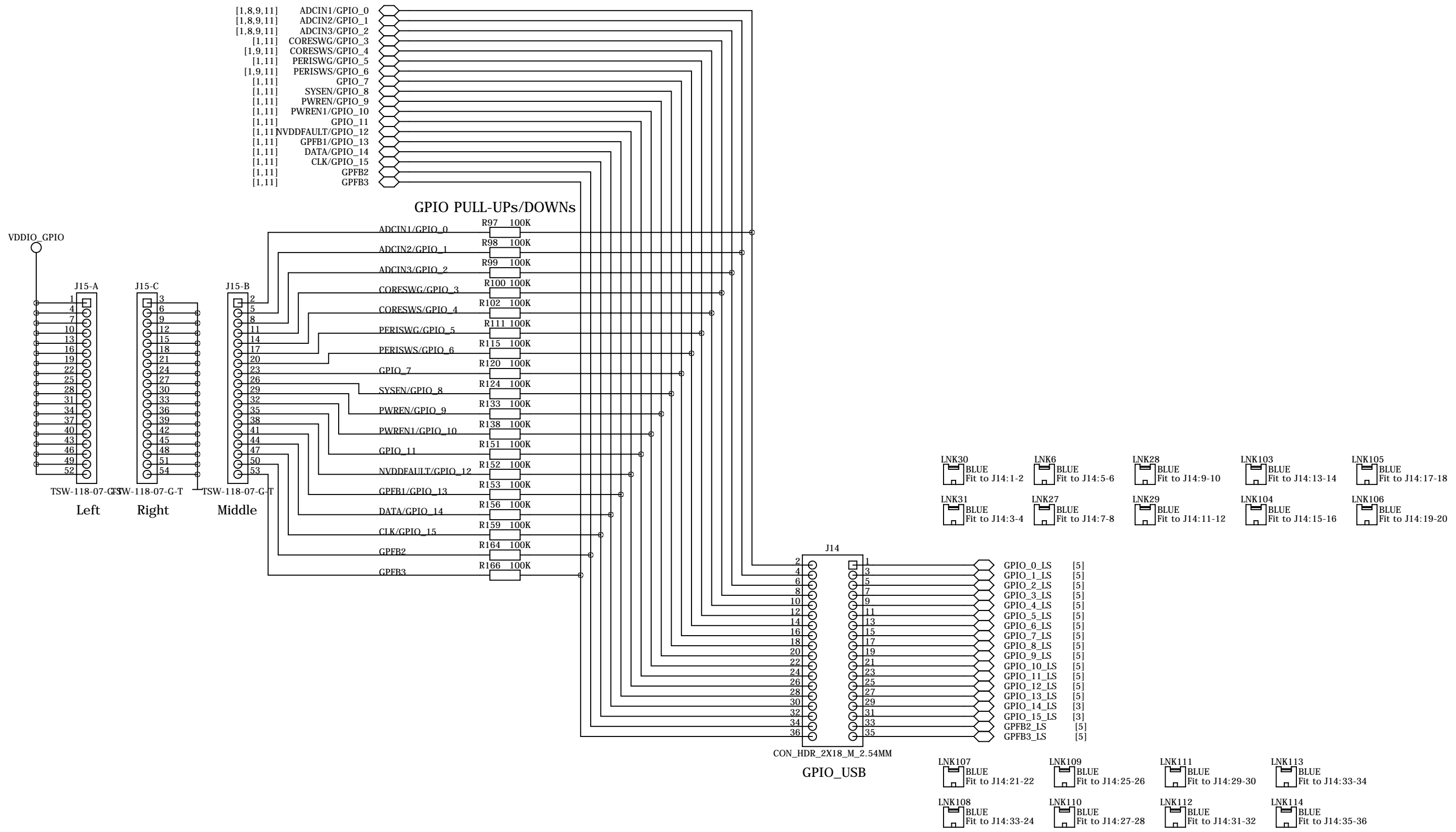
To ULI

J308 settings:
Legacy GUI (Labview):
 1-2: SPI
 2-3: I2C
SmartCanvas GUI:
 2-3: SW controlled

SCHEMATIC TEMPLATE REV PA2 (November 30, 2011) DIALOG DOCUMENT NUMBER 31-902-03

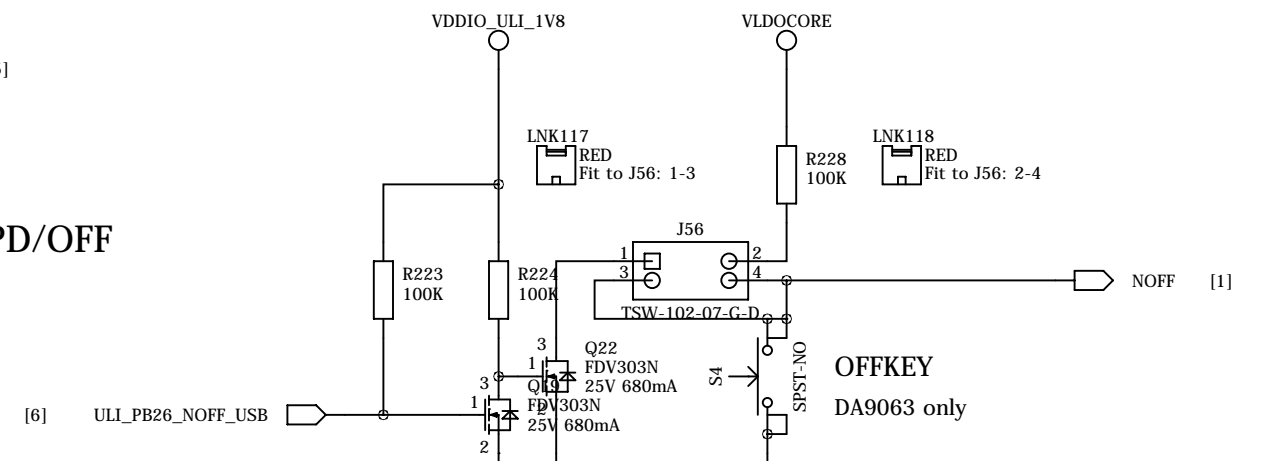
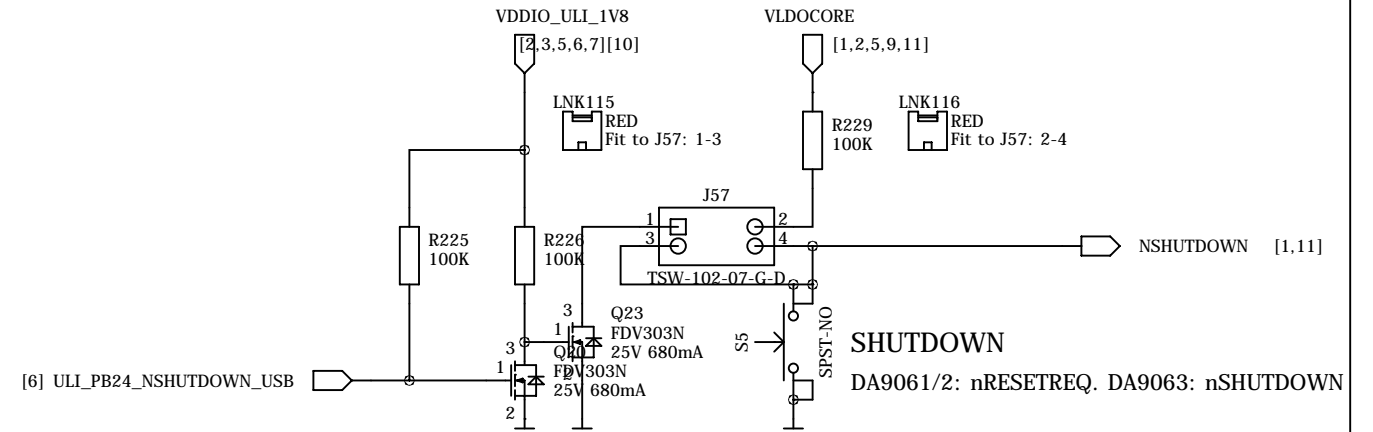
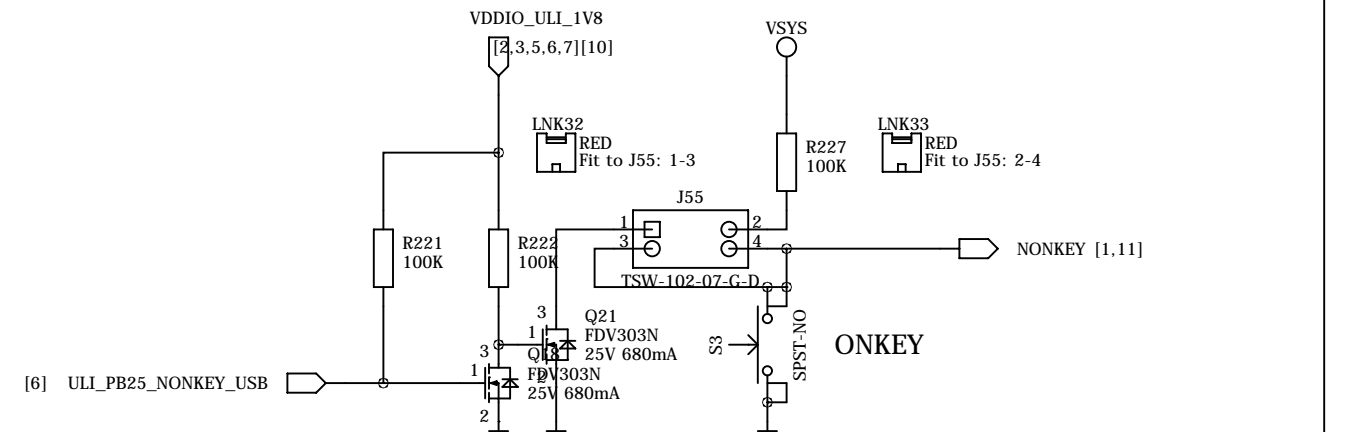
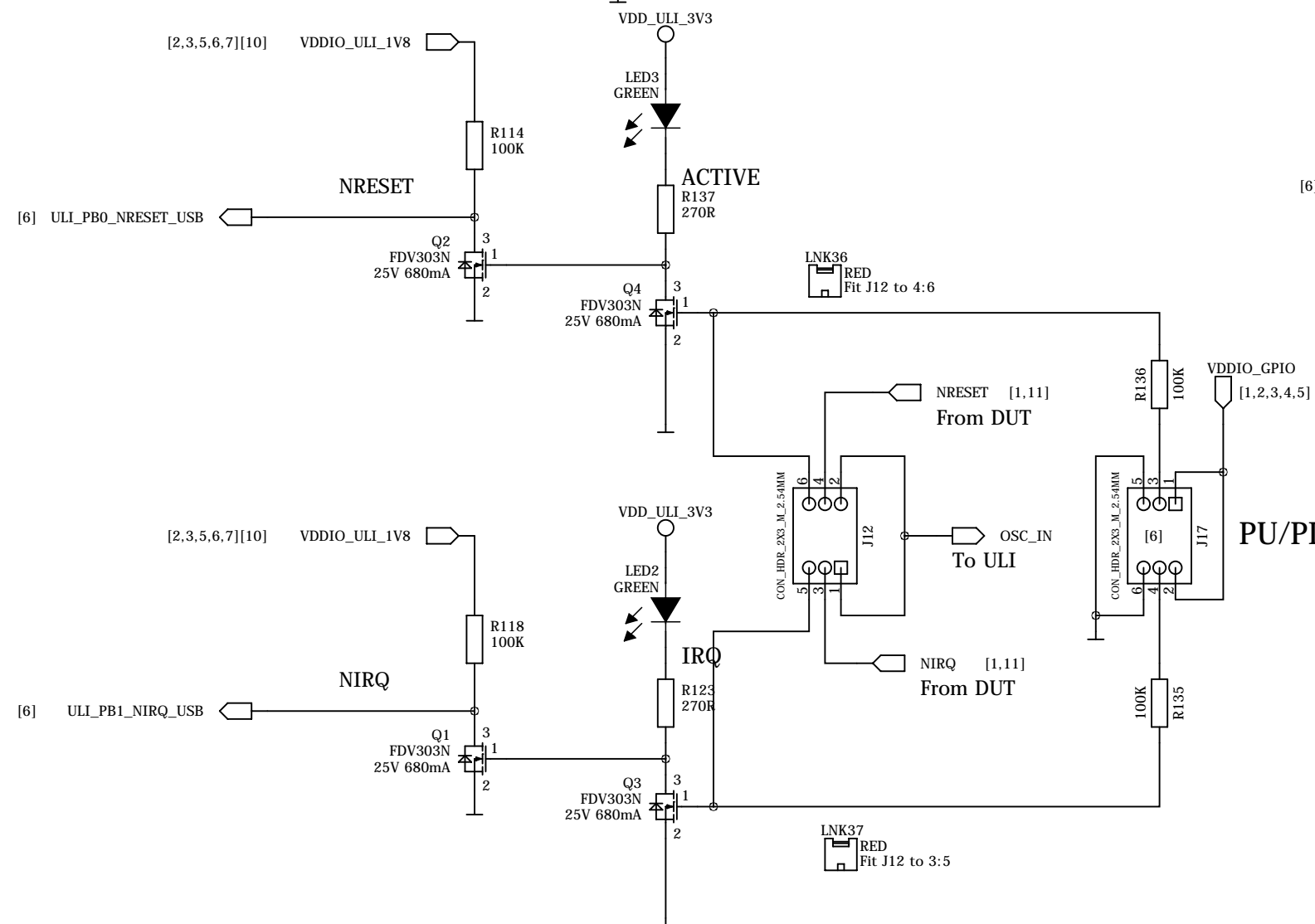
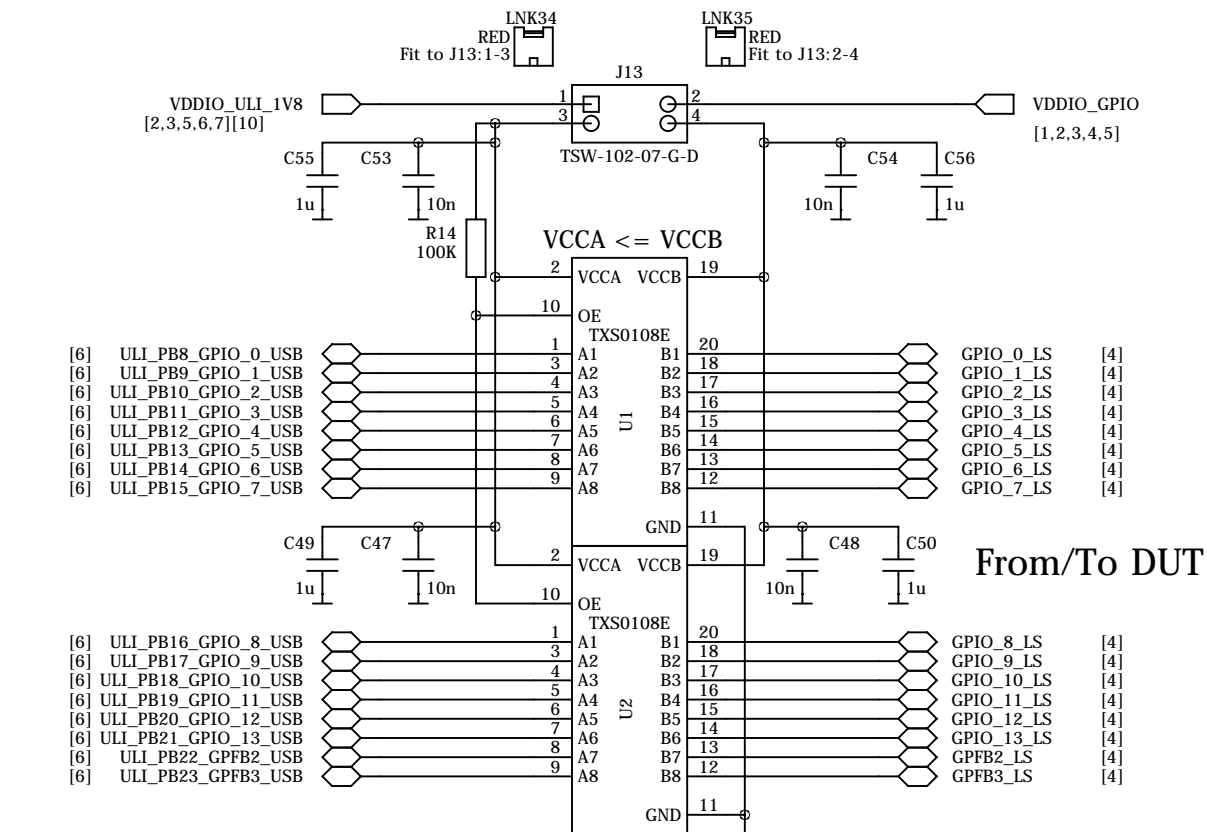
PROPRIETARY INFORMATION		TITLE: DA9061/62/63 MotherBoard 232-01-B1	
PREPARED: TG	DATED: 18/07/2016	DRAWING NO: 232-01-B	REV: 3
RESPONSIBLE: AS	DATED: 09-01-2014	SHEET NAME: [3]_I2C	PAGE: 3 OF 12





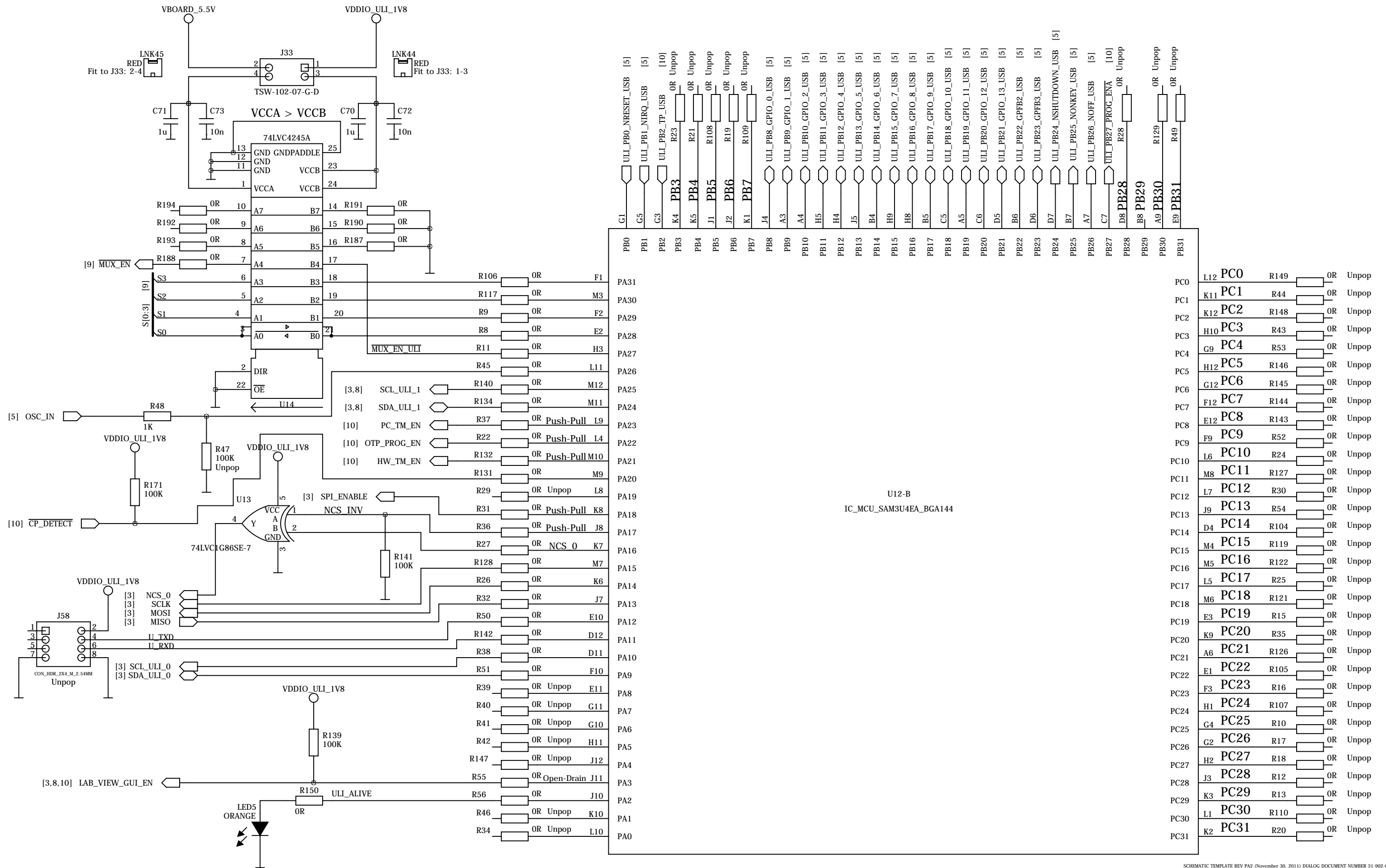
PROPRIETARY INFORMATION		TITLE: DA9061/62/63 MotherBoard 232-01-B1	
PREPARED: TG	DATED: 18/07/2016	DRAWING NO: 232-01-B	REV: 3
RESPONSIBLE: AS	DATED: 09-01-2014	SHEET NAME: [4]_GPIO_LS	
			PAGE: 4 OF 12





SCHMATIC TEMPLATE REV PA2 (November 30, 2011) DIALOG DOCUMENT NUMBER 31-902-03

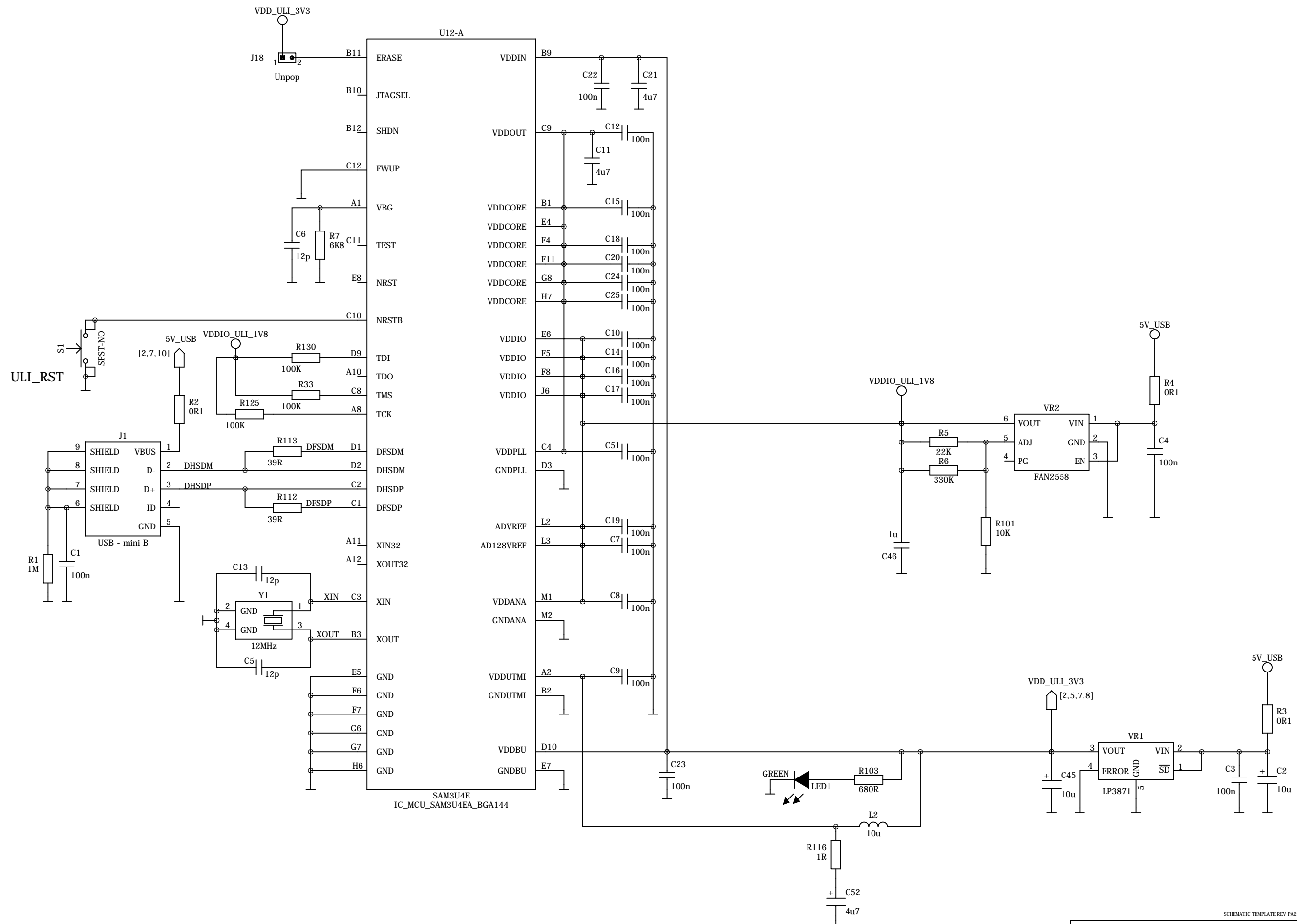
PROPRIETARY INFORMATION		TITLE: DA9061/62/63 MotherBoard 232-01-B1		
PREPARED: TG	DATED: 18/07/2016	DRAWING NO: 232-01-B	REV: 3	
RESPONSIBLE: AS	DATED: 09-01-2014	SHEET NAME: [5]_ULI_LEVEL_SHIFTER		PAGE: 5 OF 12



SCHEMATIC TEMPLATE REV PA2 (November 30, 2011) DIALOG DOCUMENT NUMBER 31-902-03

PROPRIETARY INFORMATION		TITLE: DA9061/62/63 MotherBoard 232-01-B1	
PREPARED: TG	DATED: 18/07/2016	DRAWING NO: 232-01-B	REV: 3
RESPONSIBLE: AS	DATED: 09-01-2014	SHEET NAME: [6]_ULI_1	PAGE: 6 OF 12

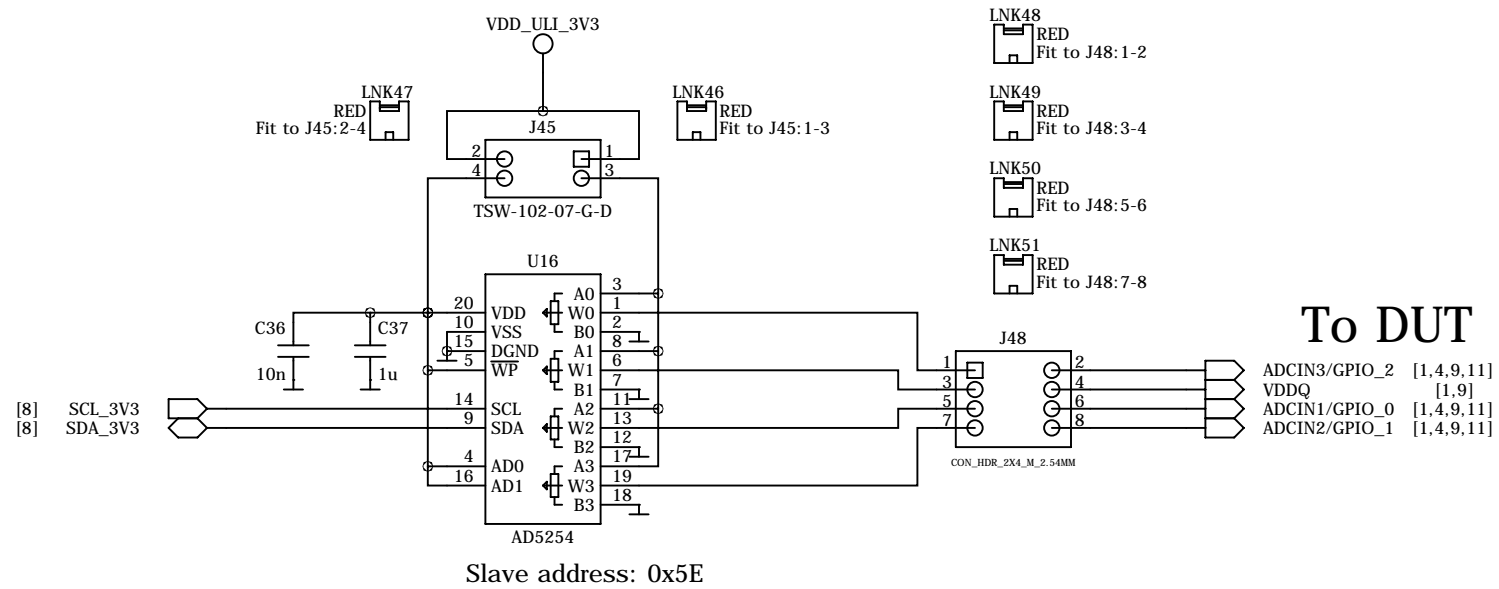




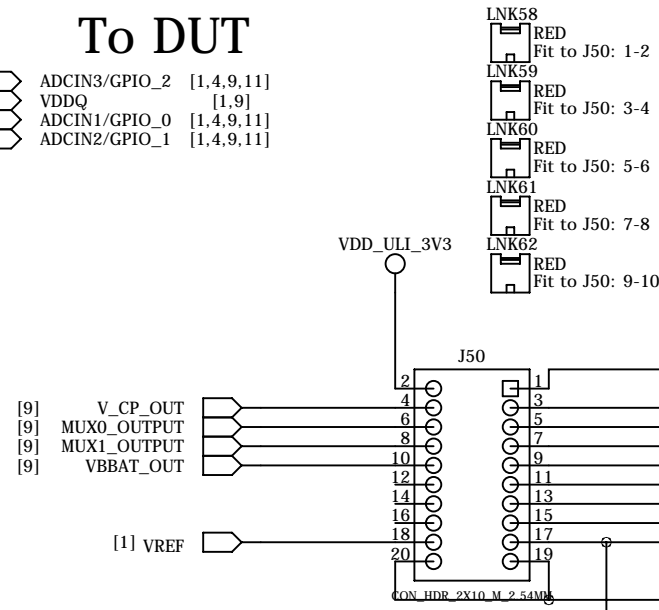
SCHEMATIC TEMPLATE REV PA2 (November 30, 2011) DIALOG DOCUMENT NUMBER 31-902-03

PROPRIETARY INFORMATION		TITLE: DA9061/62/63 MotherBoard 232-01-B1	
PREPARED: TG	DATED: 18/07/2016	DRAWING NO: 232-01-B	REV: 3
RESPONSIBLE: AS	DATED: 09-01-2014	SHEET NAME: [7]_ULI_2	
			PAGE: 7 OF 12

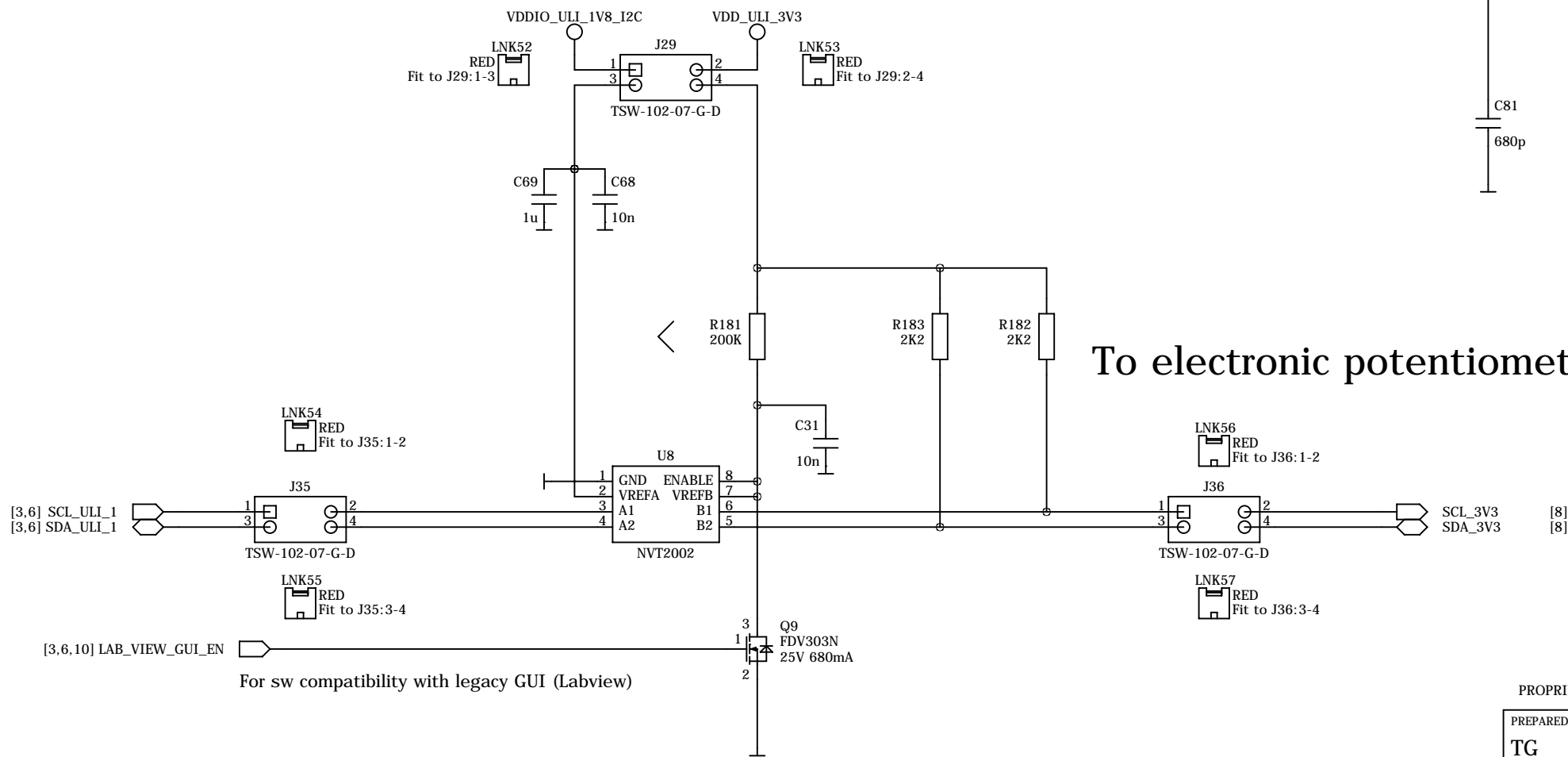




To DUT



To electronic potentiometer and ADC



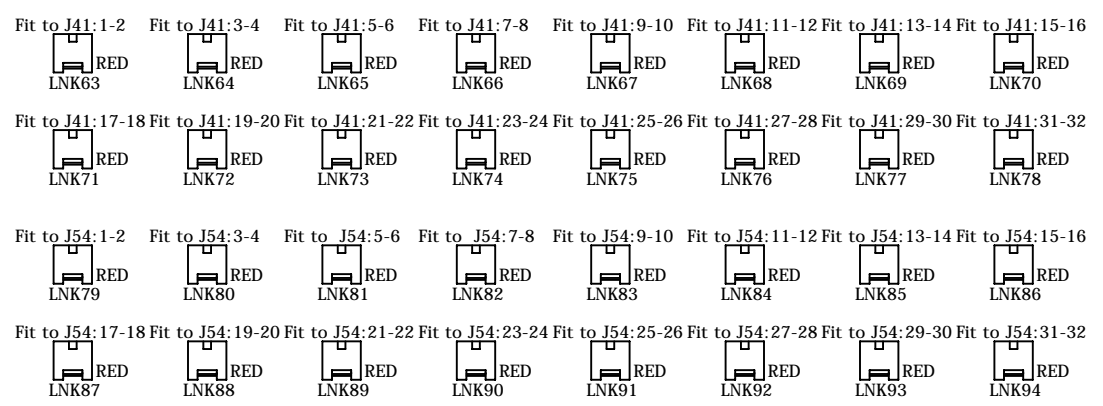
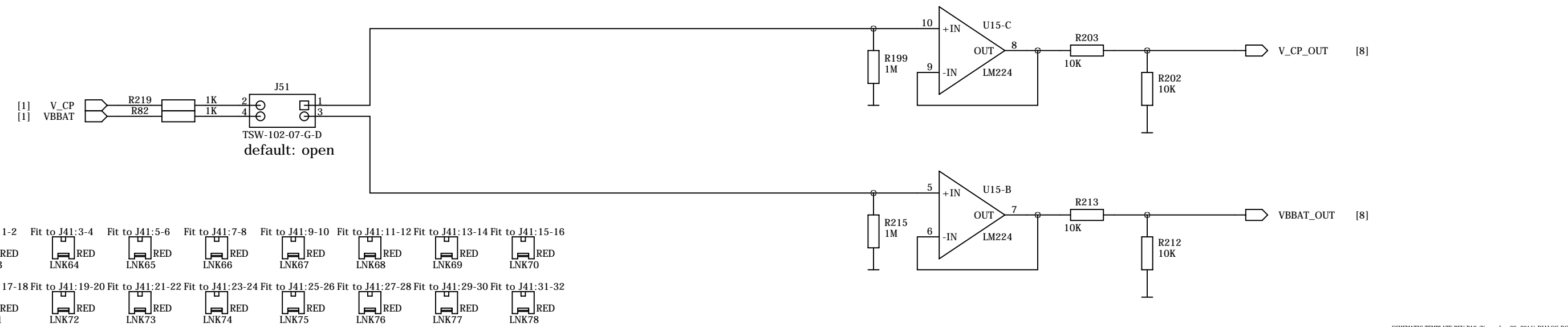
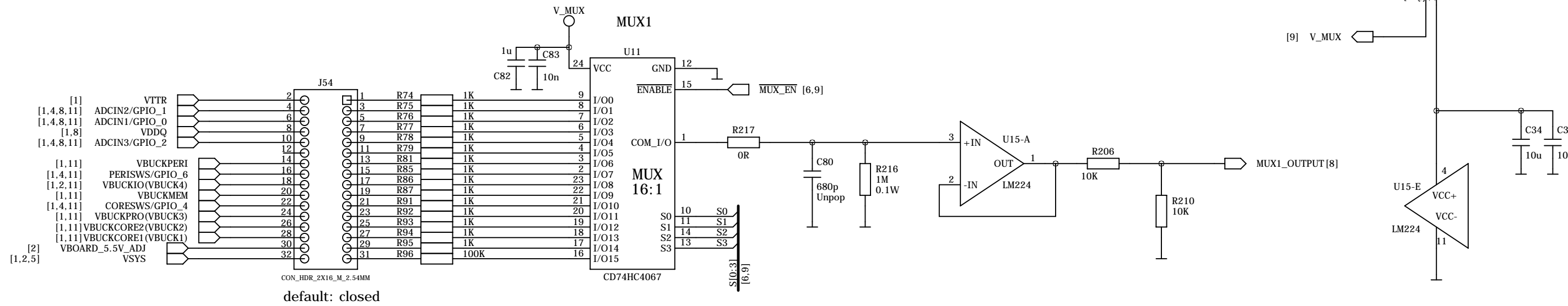
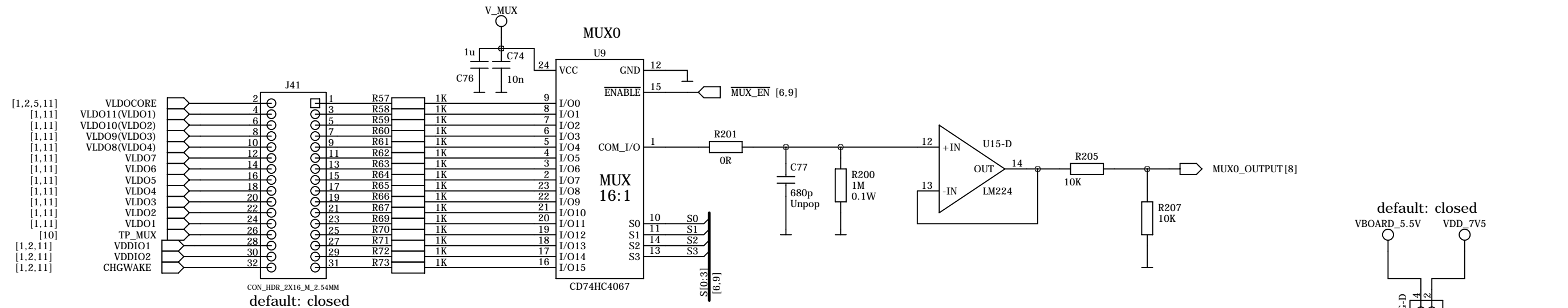
PROPRIETARY INFORMATION

PREPARED: TG	DATED: 18/07/2016
RESPONSIBLE: AS	DATED: 09-01-2014

TITLE:
DA9061/62/63 MotherBoard 232-01-B1

DRAWING NO: 232-01-B	REV: 3
SHEET NAME: [8]_ANALOG_IO	

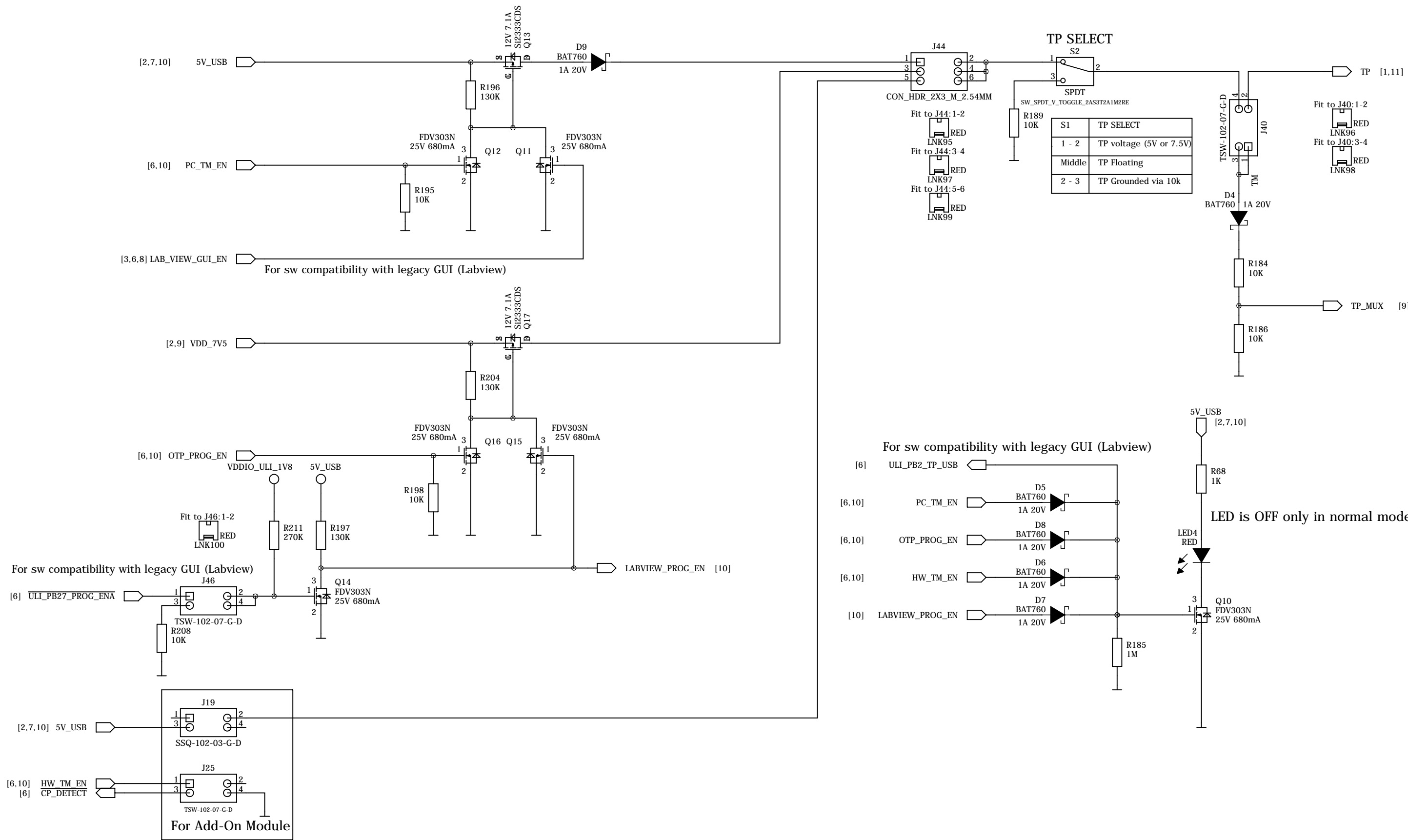




SCHMATIC TEMPLATE REV PA2 (November 30, 2011) DIALOG DOCUMENT NUMBER 31-902-03

PROPRIETARY INFORMATION		TITLE: DA9061/62/63 MotherBoard 232-01-B1	
PREPARED: TG	DATED: 18/07/2016	DRAWING NO: 232-01-B	REV: 3
RESPONSIBLE: AS	DATED: 09-01-2014	SHEET NAME: [9]_MUX_ADC	PAGE: 9 OF 12





PROPRIETARY INFORMATION		TITLE: DA9061/62/63 MotherBoard 232-01-B1	
PREPARED: TG	DATED: 18/07/2016	DRAWING NO: 232-01-B	REV: 3
RESPONSIBLE: AS	DATED: 09-01-2014	SHEET NAME: [10]_PC_MODE	PAGE: 10 OF 12



LOAD

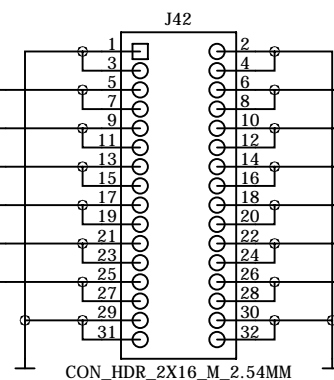
SENSE

Silkscreen:
DA9063

Silkscreen:

VBUCKCORE2 [1,9,11]
VBUCKCORE1 [1,9,11]
[1,9]
VBUCKIO [1,2,9,11]
[1,9]
VBUCKPRO [1,9,11]

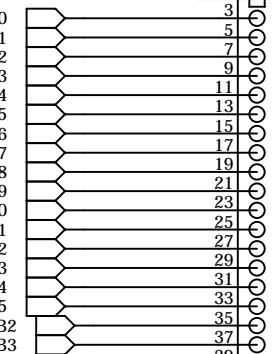
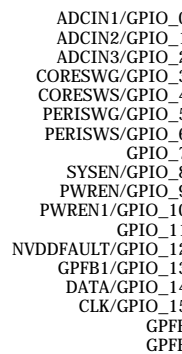
VBUCKCORE2(VBUCK2)
VBUCKCORE1(VBUCK1)
VBUCKPERI
VBUCKIO(VBUCK4)
VBUCKMEM
VBUCKPRO(VBUCK3)



VBUCKCORE2_S(VBUCK2_S) [1,11]
VBUCKCORE1_S(VBUCK1_S) [1,11]
VBUCKPERI_S [1]
VBUCKIO_S(VBUCK4_S) [1,11]
VBUCKMEM_S [1]
VBUCKPRO_S(VBUCK3_S) [1,11]

Silkscreen:

[1,4,8,9] ADCIN1/GPIO_0
[1,4,8,9] ADCIN2/GPIO_1
[1,4,8,9] ADCIN3/GPIO_2
[1,4] CORESWG/GPIO_3
[1,4,9] CORESW/GPIO_4
[1,4] PERISWG/GPIO_5
[1,4,9] PERISW/GPIO_6
[1,4] GPIO_7
[1,4] SYSEN/GPIO_8
[1,4] PWREN/GPIO_9
[1,4] PWREN1/GPIO_10
[1,4] GPIO_11
[1,4] NVDDFAULT/GPIO_12
[1,4] GPFB1/GPIO_13
[1,4] DATA/GPIO_14
[1,4] CLK/GPIO_15
[1,4] GPFB2
[1,4] GPFB3



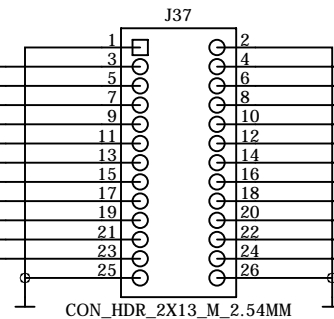
VLDOCORE [1,2,5,9]
VDDIO1 [1,2,9]
VDDIO2 [1,2,9]
NONKEY [1,5]
NRESET [1,5]
NIRQ [1,5]
CHGWAKE [1,2,9]
NSHUTDOWN [1,5]
TP [1,10]
NCS [1,3]
SO [1,3]
SK [1,3]
SI [1,3]

Silkscreen:
DA9063

Silkscreen:

VLDO11 [1,9,11]
VLDO10 [1,9,11]
VLDO9 [1,9,11]
VLDO8 [1,9,11]
[1,9]
[1,9]
[1,9]
[1,9]
[1,9]
[1,9]
[1,9]
[1,9]

VLDO11(VLDO1)
VLDO10(VLDO2)
VLDO9(VLDO3)
VLDO8(VLDO4)
VLDO7
VLDO6
VLDO5
VLDO4
VLDO3
VLDO2
VLDO1



VLDO11_S(VLDO1_S) [1,11]
VLDO10_S(VLDO2_S) [1,11]
VLDO9_S(VLDO3_S) [1,11]
VLDO8_S(VLDO4_S) [1,11]
VLDO7_S [1]
VLDO6_S [1]
VLDO5_S [1]
VLDO4_S [1]
VLDO3_S [1]
VLDO2_S [1]
VLDO1_S [1]

Silkscreen:

VLDO1 [1,9,11]
VLDO2 [1,9,11]
VLDO3 [1,9,11]
VLDO4 [1,9,11]

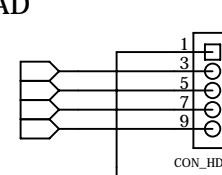
VLDO11(VLDO1)
VLDO10(VLDO2)
VLDO9(VLDO3)
VLDO8(VLDO4)

LOAD

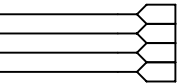
Silkscreen:
DA9061/2

SENSE

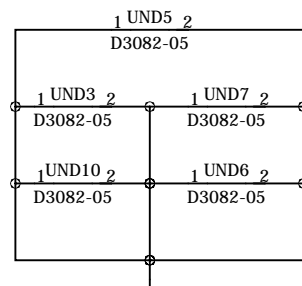
Silkscreen:



VLDO11_S(VLDO1_S) [1,11]
VLDO10_S(VLDO2_S) [1,11]
VLDO9_S(VLDO3_S) [1,11]
VLDO8_S(VLDO4_S) [1,11]

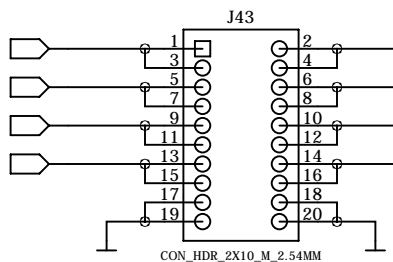


VLDO1_S [1,11]
VLDO2_S [1,11]
VLDO3_S [1,11]
VLDO4_S [1,11]

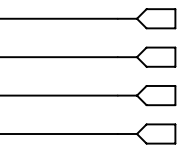


VBUCK2 [1,9,11]
VBUCK1 [1,9,11]
VBUCK4 [1,2,9,11]
VBUCK3 [1,9,11]

VBUCKCORE2(VBUCK2)
VBUCKCORE1(VBUCK1)
VBUCKIO(VBUCK4)
VBUCKPRO(VBUCK3)



VBUCKCORE2_S(VBUCK2_S) [1,11]
VBUCKCORE1_S(VBUCK1_S) [1,11]
VBUCKIO_S(VBUCK4_S) [1,11]
VBUCKPRO_S(VBUCK3_S) [1,11]



VBUCK2_S [1,11]
VBUCK1_S [1,11]
VBUCK4_S [1,11]
VBUCK3_S [1,11]

PROPRIETARY INFORMATION		TITLE: DA9061/62/63 MotherBoard 232-01-B1		
PREPARED: TG	DATED: 18/07/2016	DRAWING NO: 232-01-B	REV: 3	
RESPONSIBLE: AS	DATED: 09-01-2014	SHEET NAME: [11]_PIMIC_HEADERS		PAGE: 11 OF 12

REV	DATE	ENGINEER	NOTES
B2	04/02/2015	T Graham	First revision for customer release. Layout revision is 232-01-B
B3	18/07/2016	T Graham	Changed note regarding Python/SmartCanvas. No hardware changes.

Mechanical



SCHEMATIC TEMPLATE REV PA2 (November 30, 2011) DIALOG DOCUMENT NUMBER 31-902-03

PROPRIETARY INFORMATION		TITLE: DA9061/62/63 MotherBoard 232-01-B1		
PREPARED: TG	DATED: 18/07/2016	DRAWING NO: 232-01-B	REV: 3	
RESPONSIBLE: AS	DATED: 09-01-2014	SHEET NAME: [12]_MECHANICAL		PAGE: 12 OF 12