


Title: DA14580DEVKT-P		<OrgName>	
Doc. Nr. 078-39-C	Designer: E.M. van Rijswijk	Rev:C	
Date: Tuesday, November 10, 2015	Sheet: 1	of 2	

History Table

Version	Date	Comments
A	05/14/2014	Initial Approved Release
B	07/14/2014	<ul style="list-style-type: none">- Replaced FET by LDO to slow down VDD_3V3_PERF ramp-up- Delayed switch-on of VANA_5V by placing C71- Changed net name on Peripherals page from VDD_580_M to VBAT_580_M- Added off page connector on Peripherals page for RST and updated Block Diagram- Changed values of R50, R51, R52 and R53 from 1k to 0R- Changed LED resistor values to change illumination- Changed default value of R60 to 0R- Changed reset circuit on PCI-E page to facilitate reset generation from both the push button and the debugger
C	11/10/2014	This PCB only Modification: Move vias to the middle of the bga-pads of U8 (SAM3U2CA)

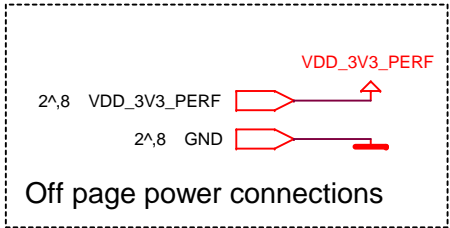
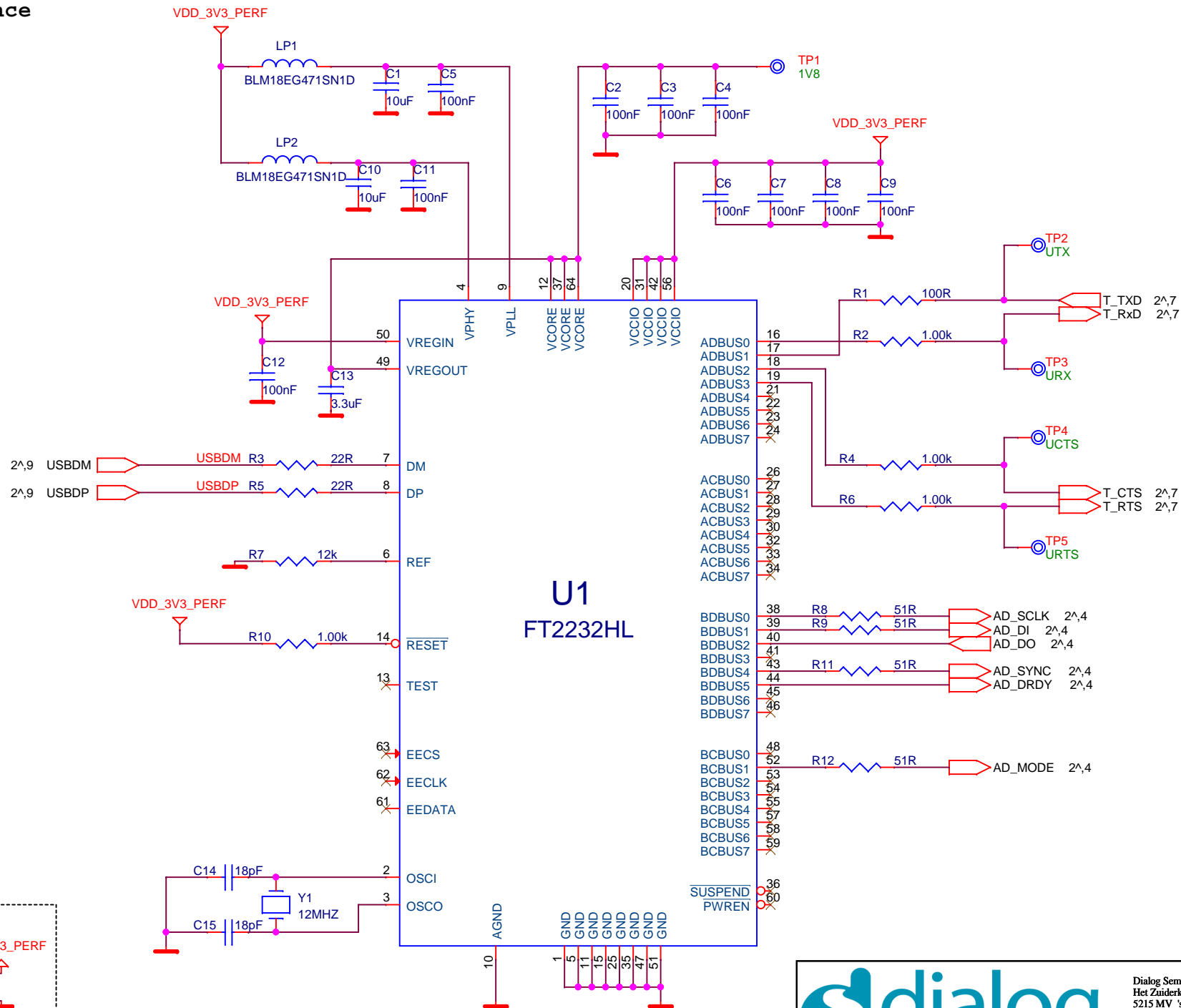
Schematic Annotations

Annotation	Description
1^,8 NETNAME 	Off-page net connectors hold a reference to the pages their used on (e.g. pages 1, 8)

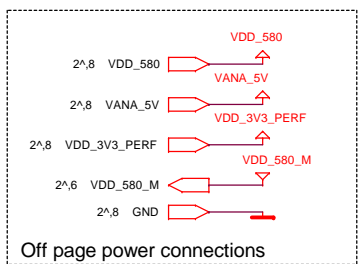
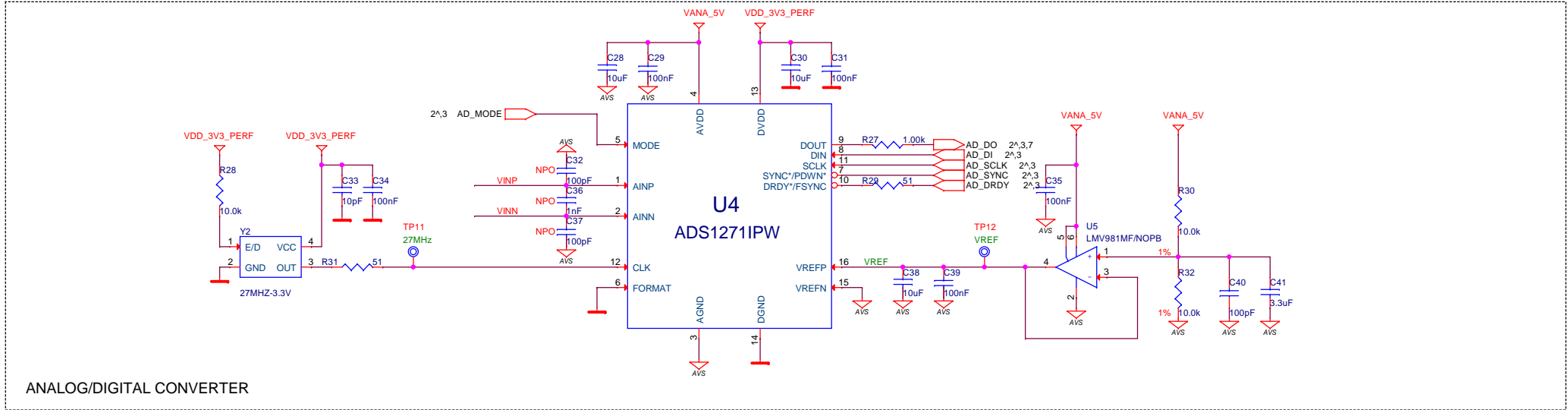
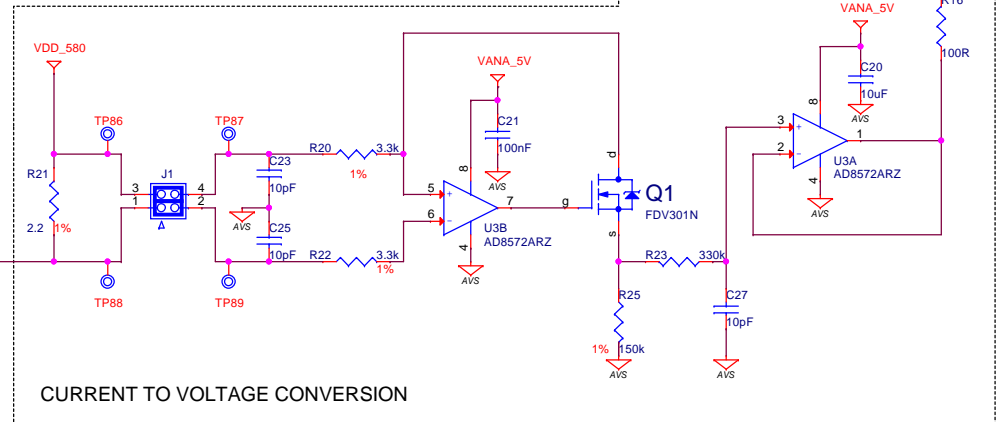
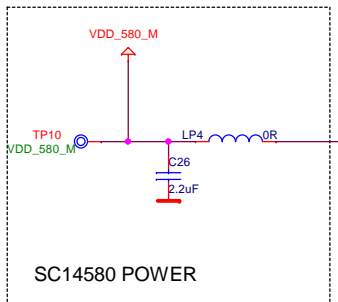
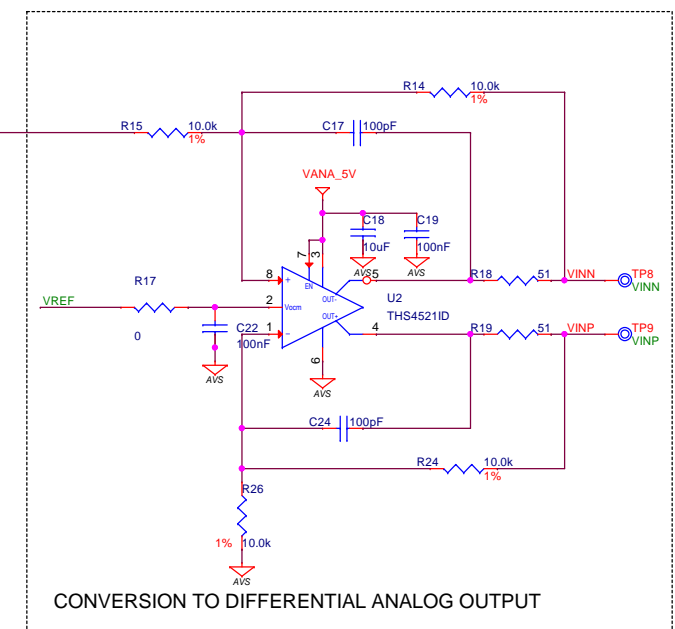
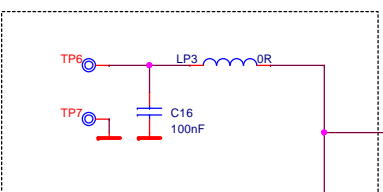
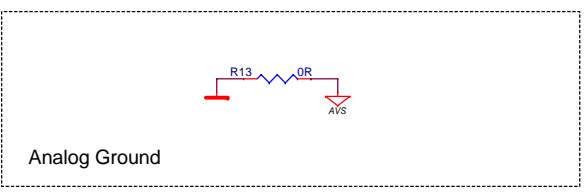


Dialog Semiconductor
Het Zuiderkruis 53
5215 MV 's-Hertogenbosch
tel. (+31) 73 6408822
fax. (+31) 73 6408823

SPI and Serial Interface

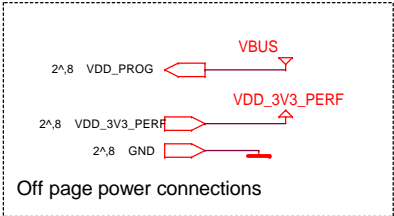
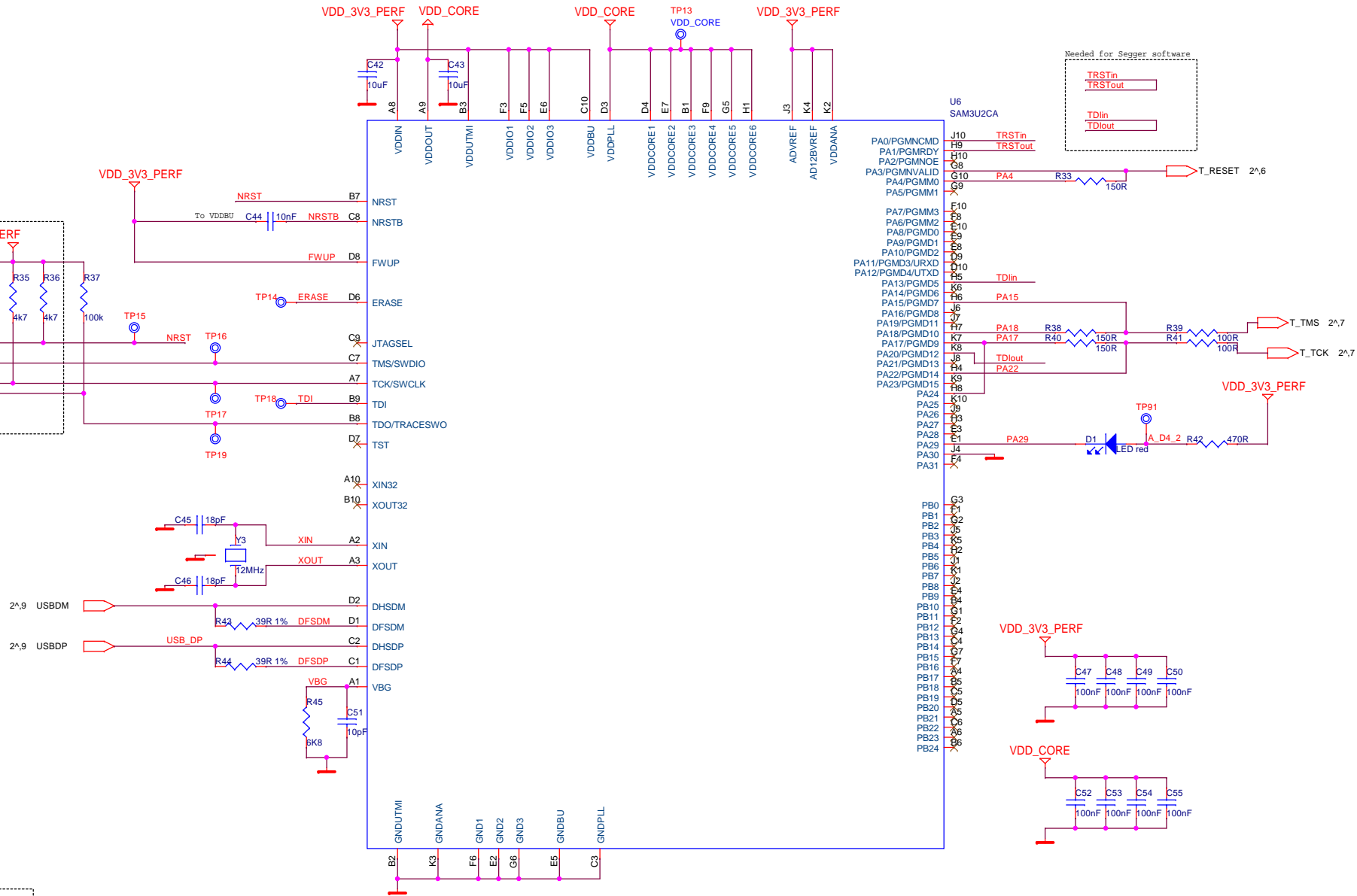
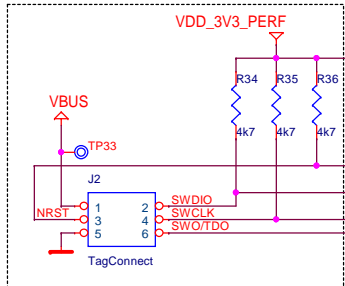


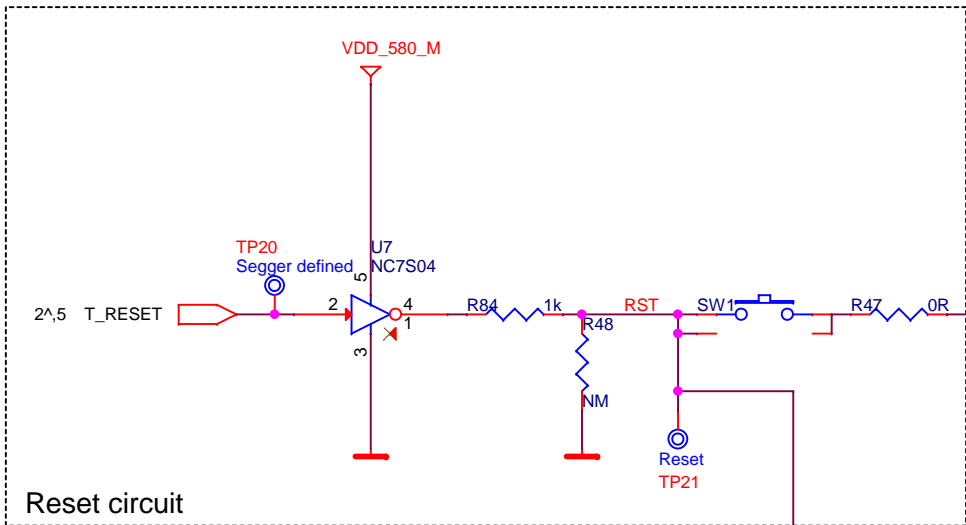
Current Measurement



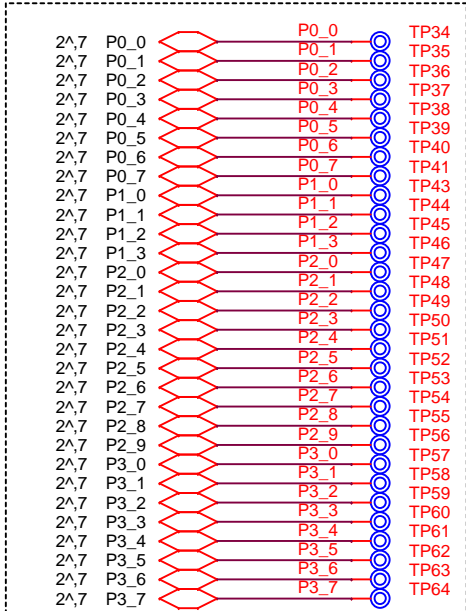
JTAG Interface

For programming SAM3U2C

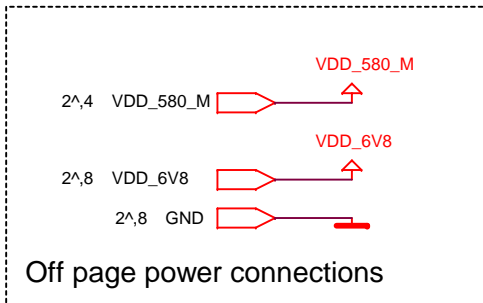




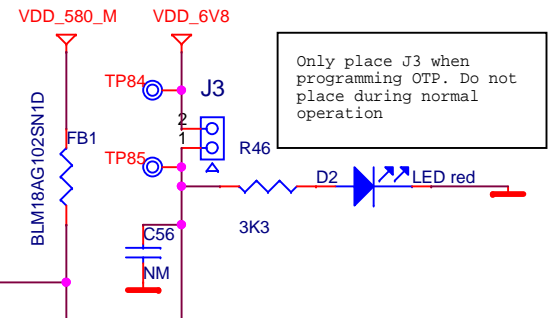
Reset circuit



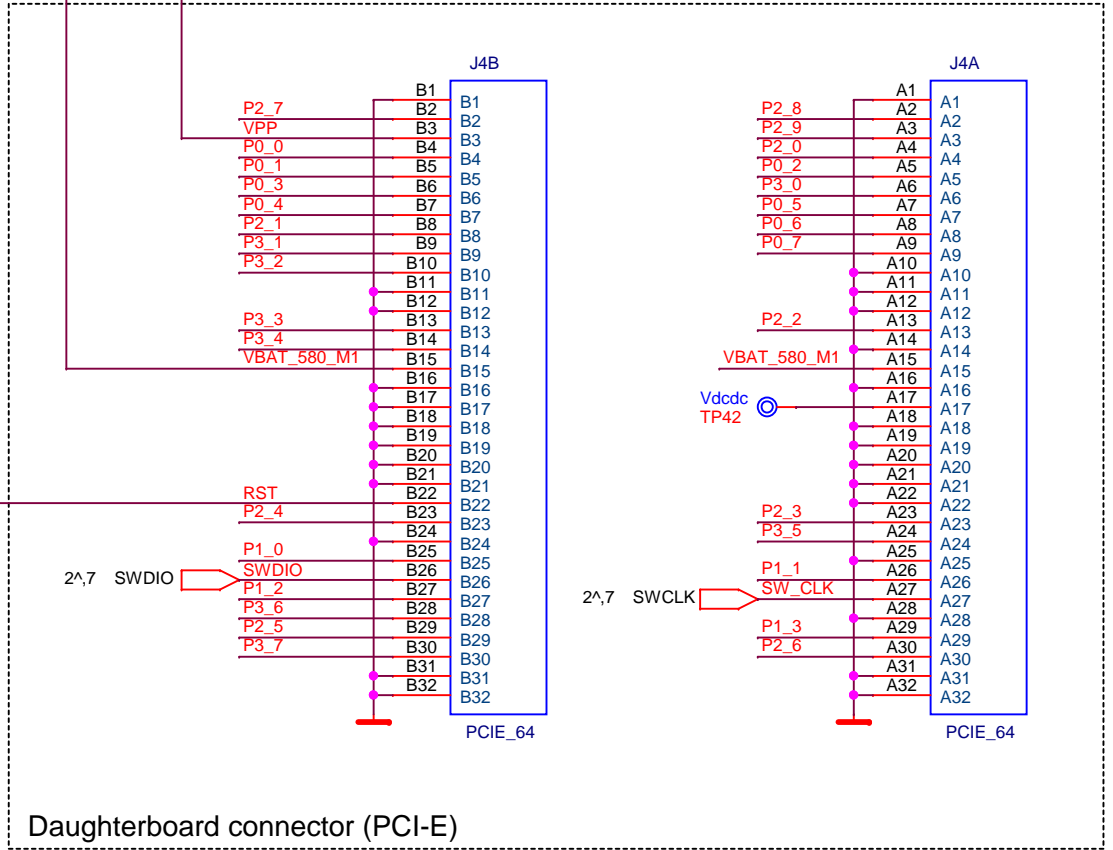
Off page GPIO connections



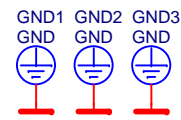
Off page power connections



Only place J3 when programming OTP. Do not place during normal operation



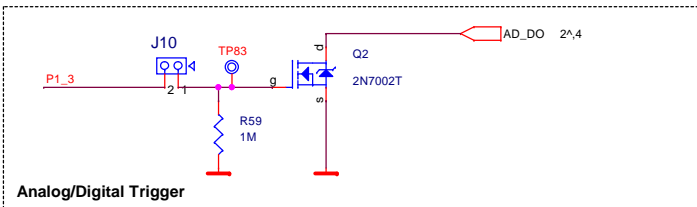
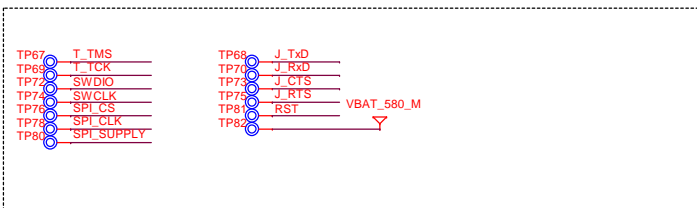
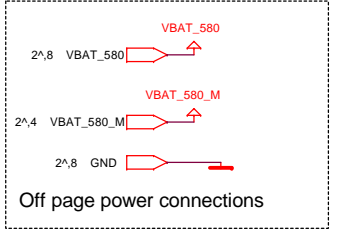
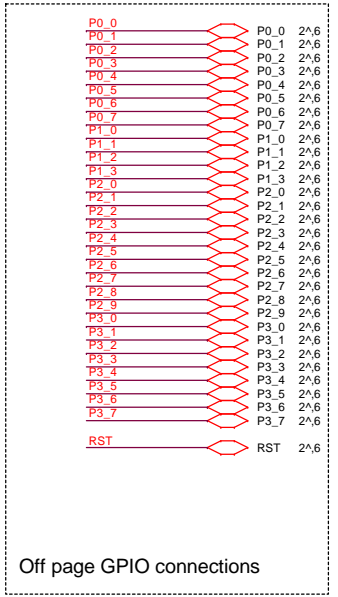
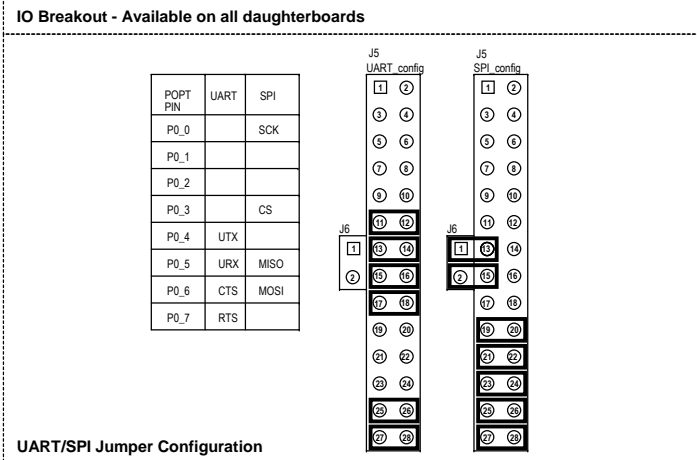
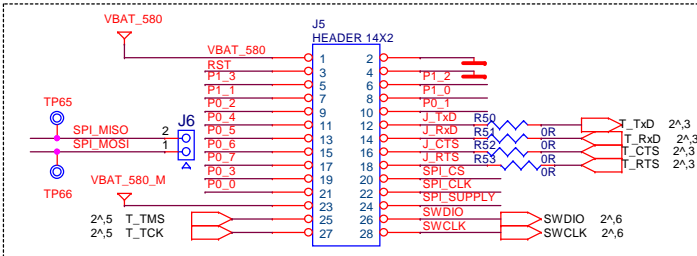
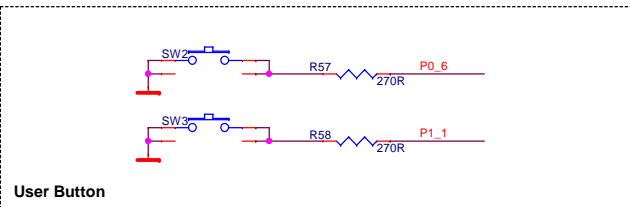
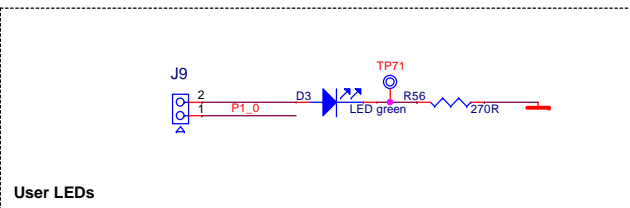
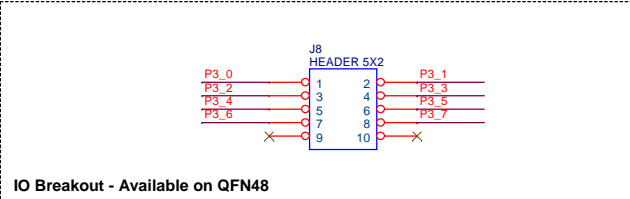
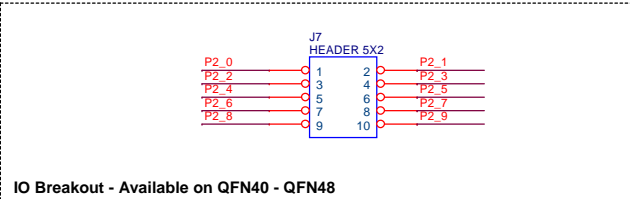
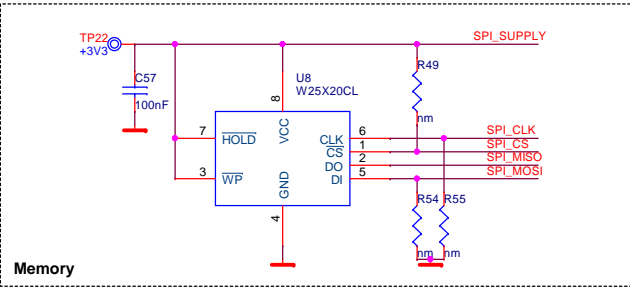
Daughterboard connector (PCI-E)



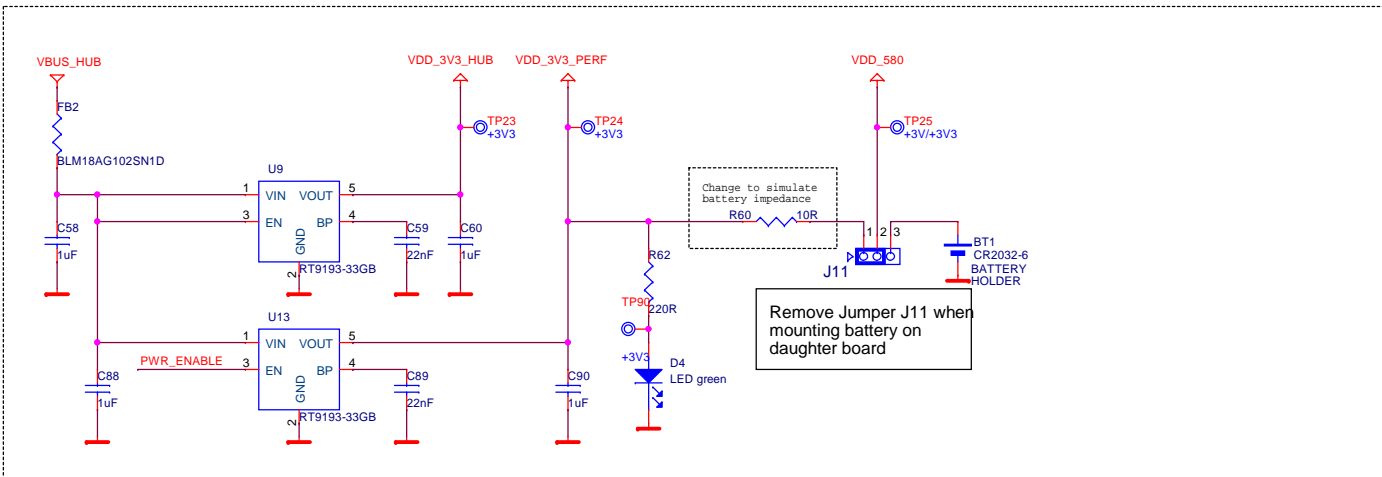
dialog
SEMICONDUCTOR

Dialog Semiconductor
Het Zuiderkruis 53
5215 MV 's-Hertogenbosch
tel. (+31) 73 6408822
fax. (+31) 73 6408823

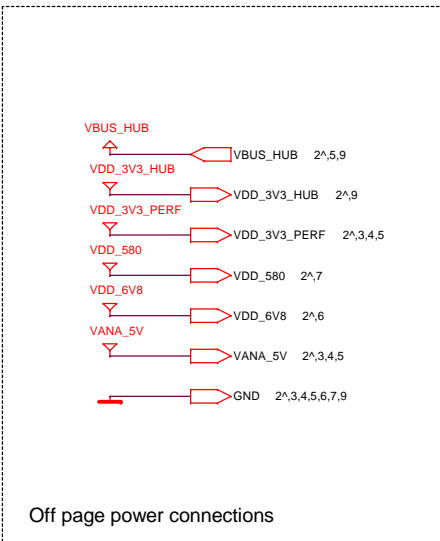
Peripherals



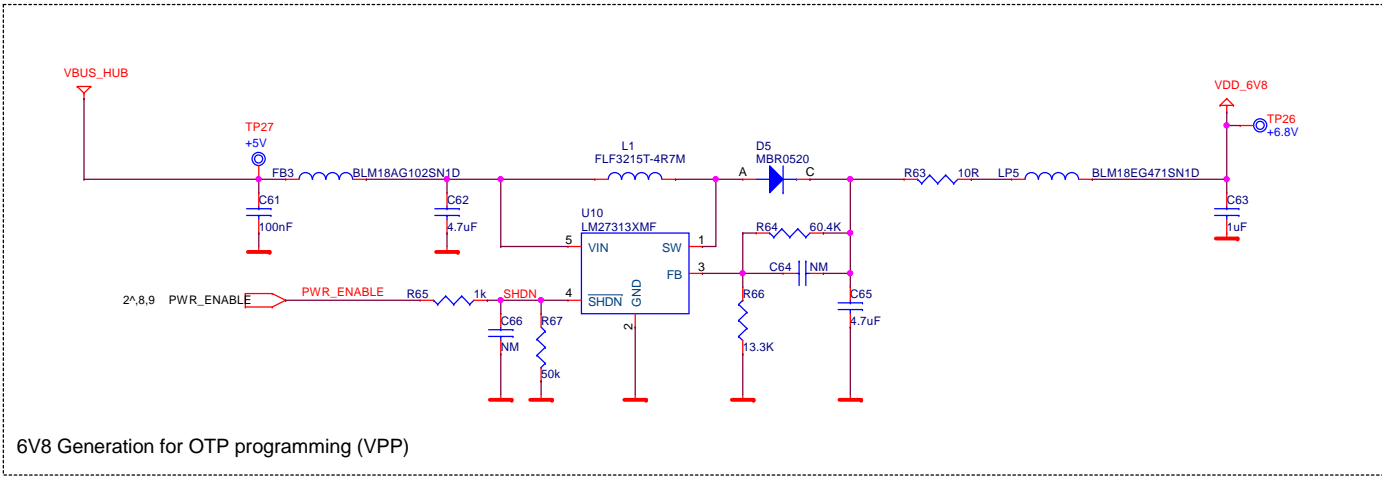
Power Supplies



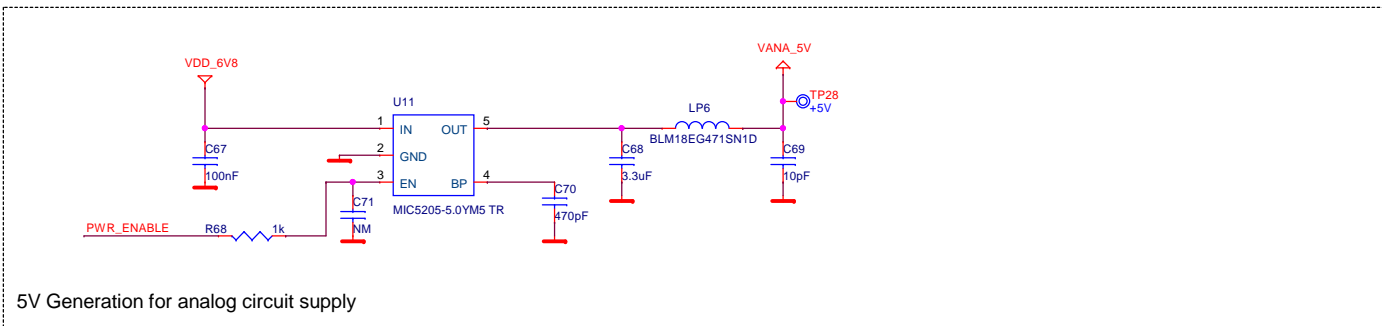
3V3 Generation and battery selection for DA14580 and Peripherals



Off page power connections

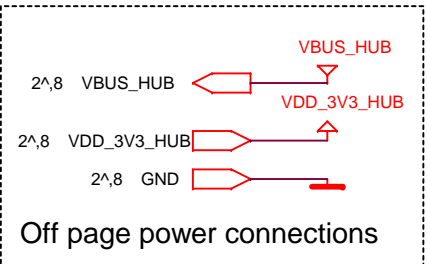
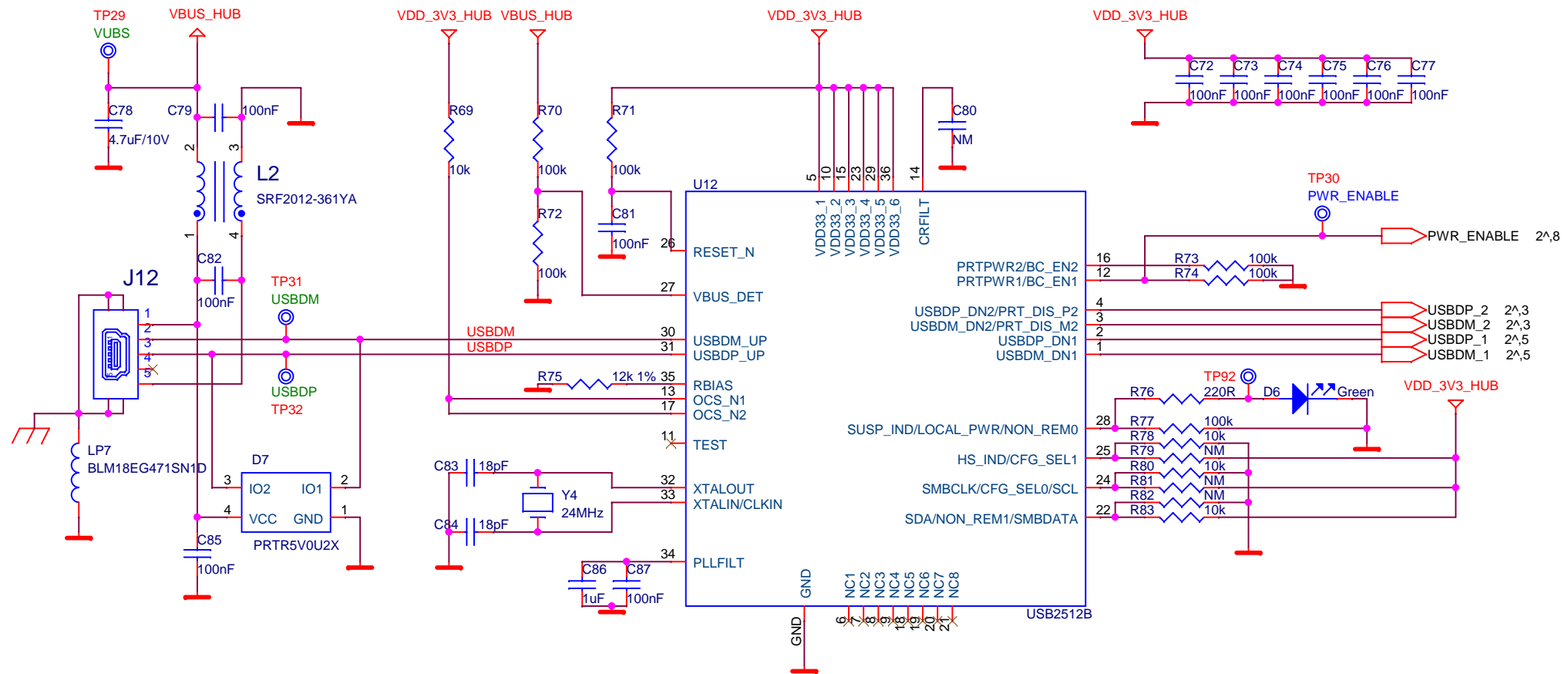


6V8 Generation for OTP programming (VPP)



5V Generation for analog circuit supply

USB HUB Controller



Dialog Semiconductor
 Het Zuiderkruis 53
 5215 MV 's-Hertogenbosch
 tel. (+31) 73 6408822
 fax. (+31) 73 6408823

Title : DA14580DEVKT-P		
Doc. Nr. 078-39-C	Designer: E.M. van Rijswijk	Rev:C
Date: Tuesday, November 10, 2015	Sheet: 9 of	9