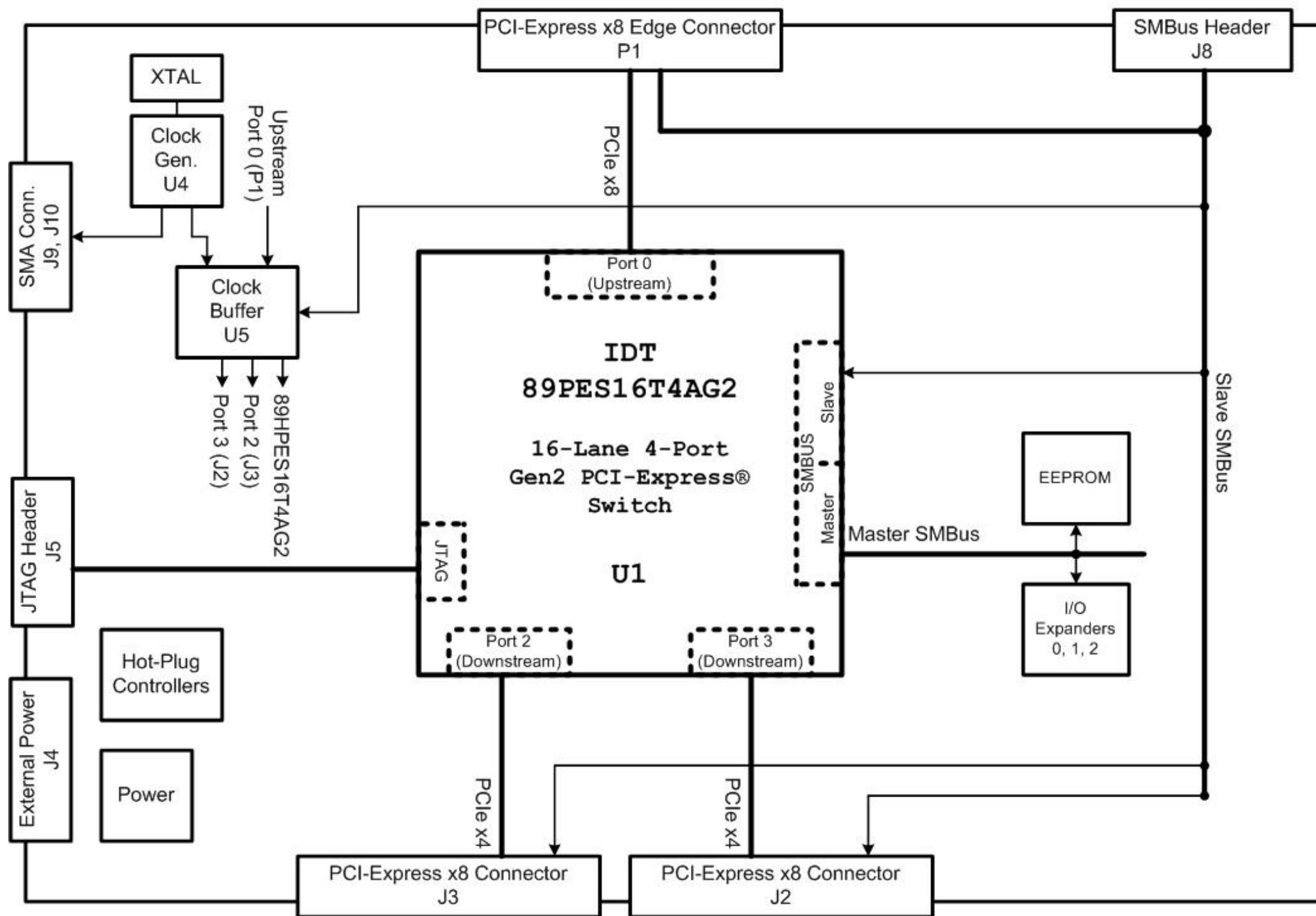


# 89EBPES16T4AG2 – 89PES16T4AG2 Evaluation Board

REVISIONS				
DCN	REV	DESCRIPTION	DATE	CHANGE BY
PCB-0147R01	1.0	INITIAL RELEASE	2008-01-18	T. TRAN

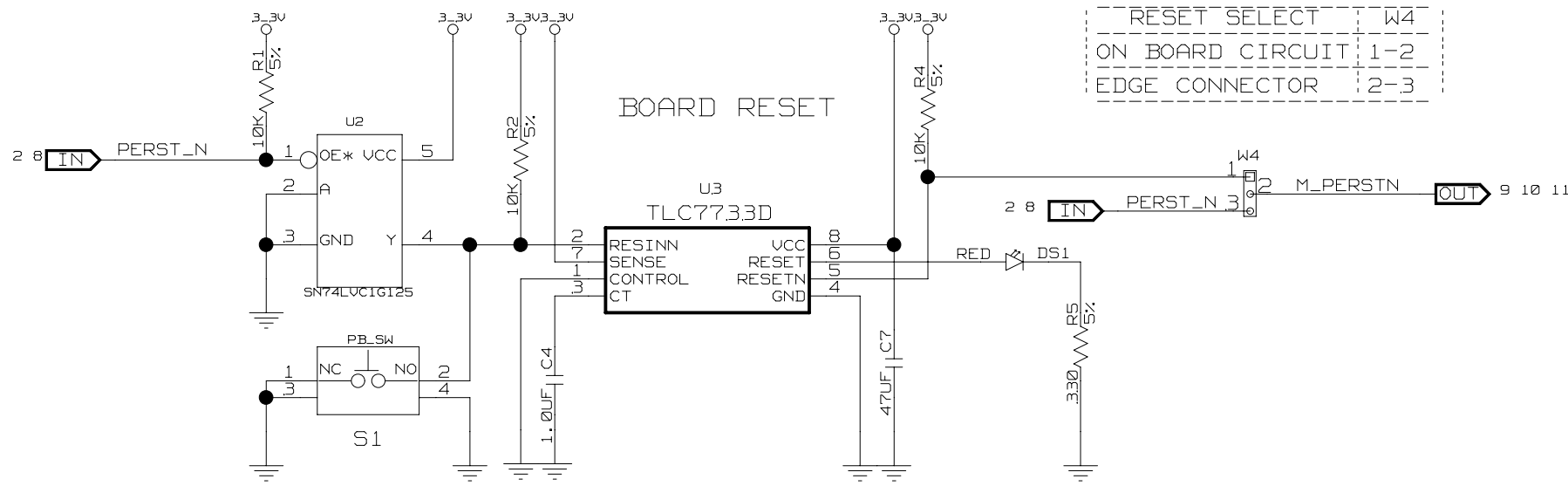
## SHEET DESCRIPTION

- 1 TITLE PAGE
- 2 RESET, POWER CONNECTOR
- 3 POWER REGULATORS
- 4 CLOCKS
- 5 I/O EXP, WAKE, ATTN
- 6 HOT PLUG CONTROLLERS
- 7 HOT PLUG – MOSFETS
- 8 PORT 0 EDGE CONN (U/S)
- 9 PORT 2 CONNECTOR (D/S)
- 10 PORT 3 CONNECTOR (D/S)
- 11 PES16T4AG2 – EEPROM, JTAG
- 12 PES16T4AG2 – POWER



CONFIDENTIAL PROPERTY OF INTEGRATED DEVICE TECHNOLOGY, INC.  
 6024 SILVER CREEK VALLEY RD. SAN JOSE, CA 95138  
 COPYRIGHT (C) IDT2008

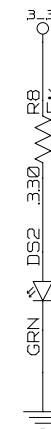
TITLE 89EBPES16T4AG2			
SIZE B	DRAWING NO. SCH-00157	FAB P/N 18-656-000	REV. 1.0
AUTHOR K Leung / T Tran		CHECKED BY D Huang	
Fri Jan 18 10:42:56 2008			SHEET 1 OF 12



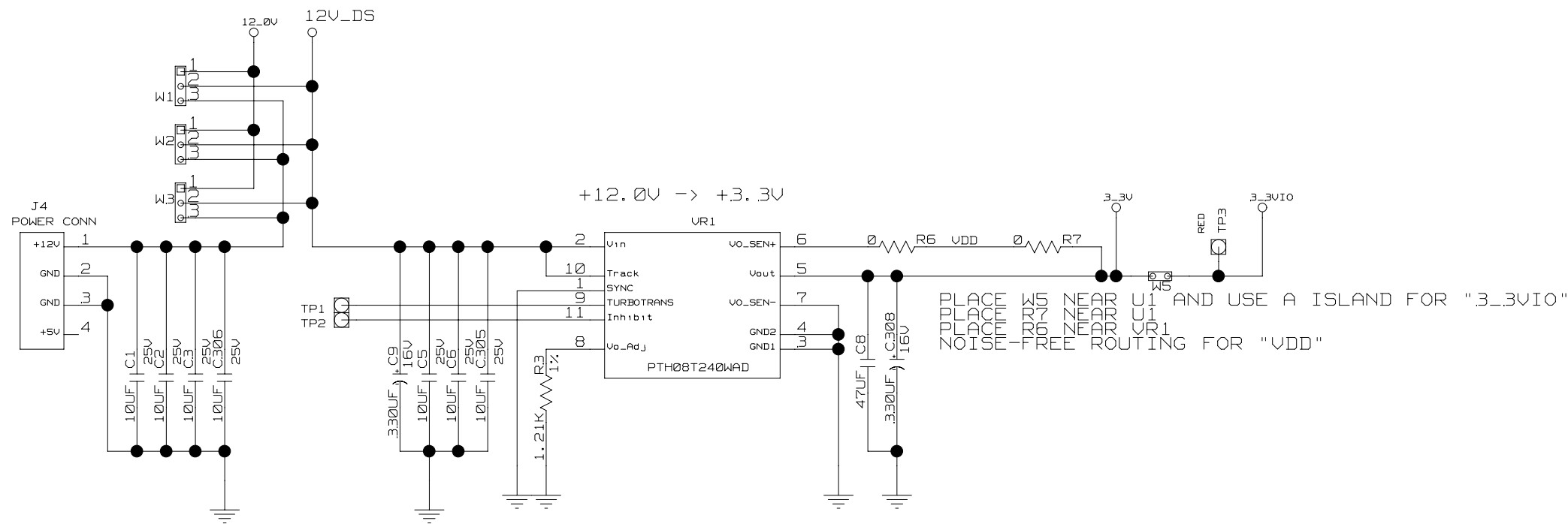
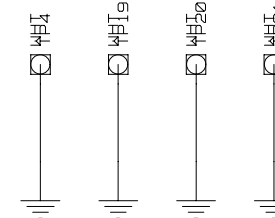
SILKSCREEN TABLE

RESET SELECT	W4
ON BOARD CIRCUIT	1-2
EDGE CONNECTOR	2-3

POWER INDICATOR  
PLACE NEAR TOP EDGE  
LABEL 'POWER'



LABEL 'GND'



PLACE THIS NEAR U3 AND USE A ISLAND FOR "3.3VIO"  
NOISE-FREE ROUTING FOR "VDD"

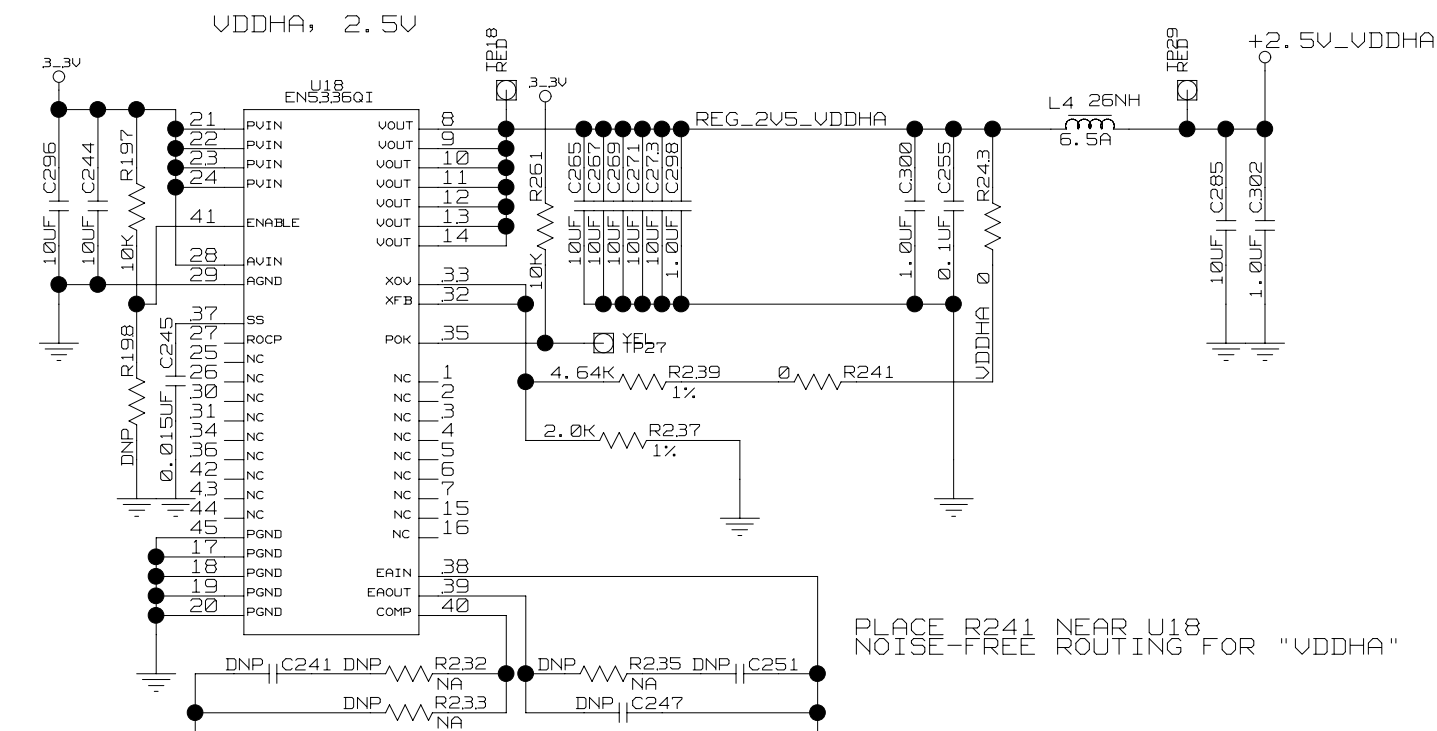
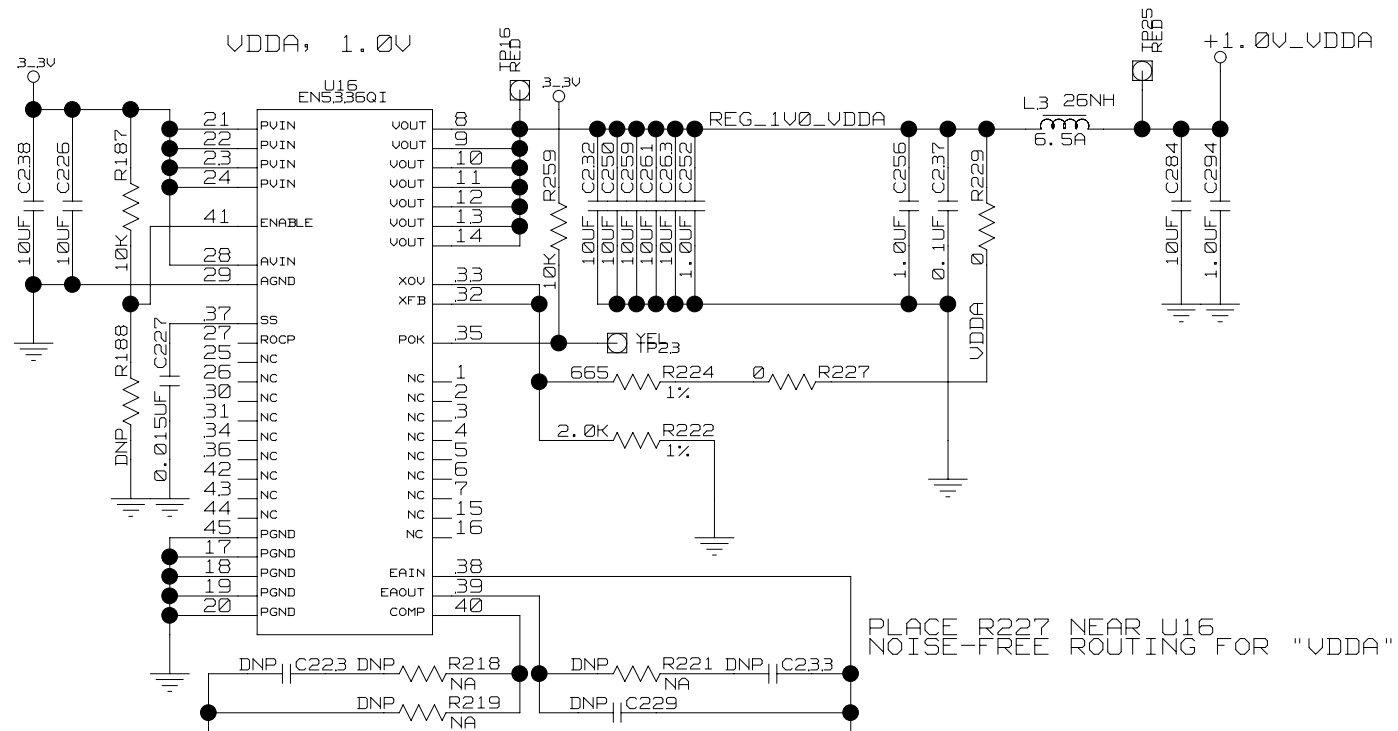
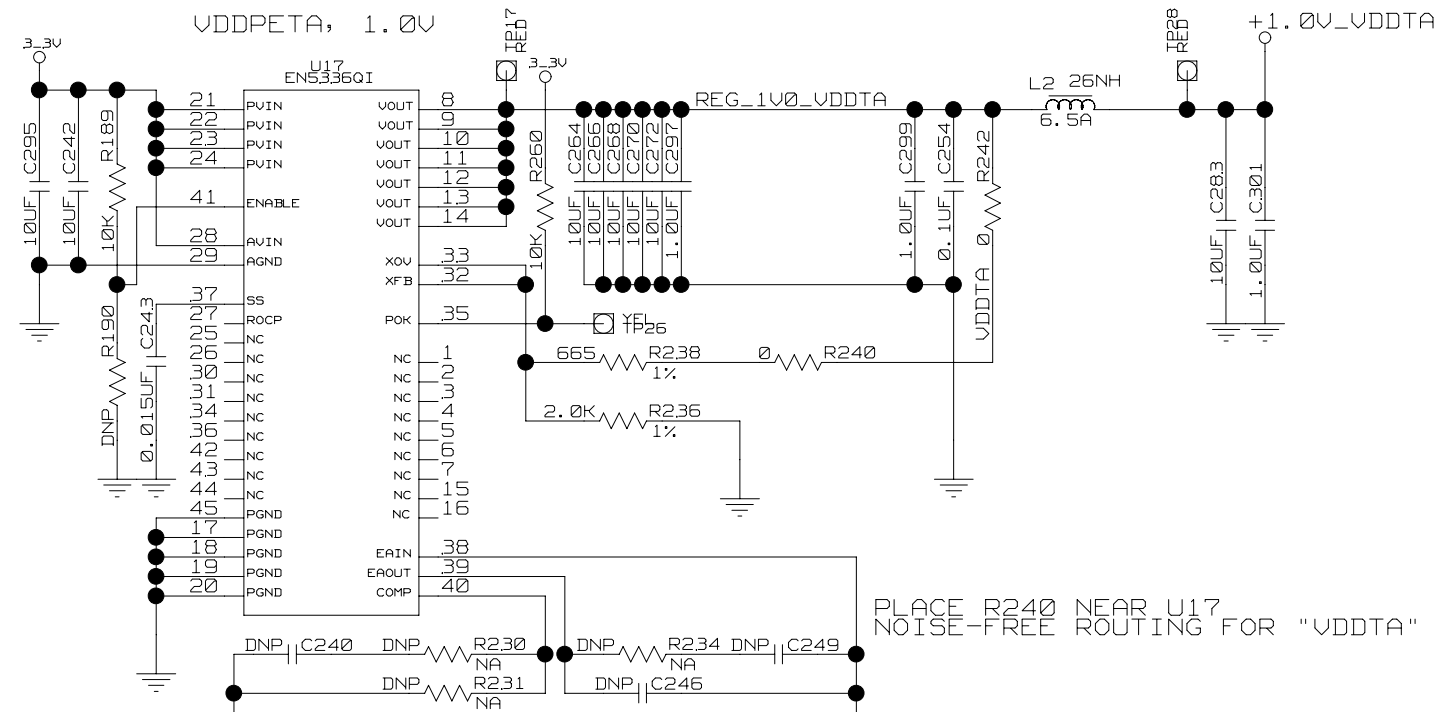
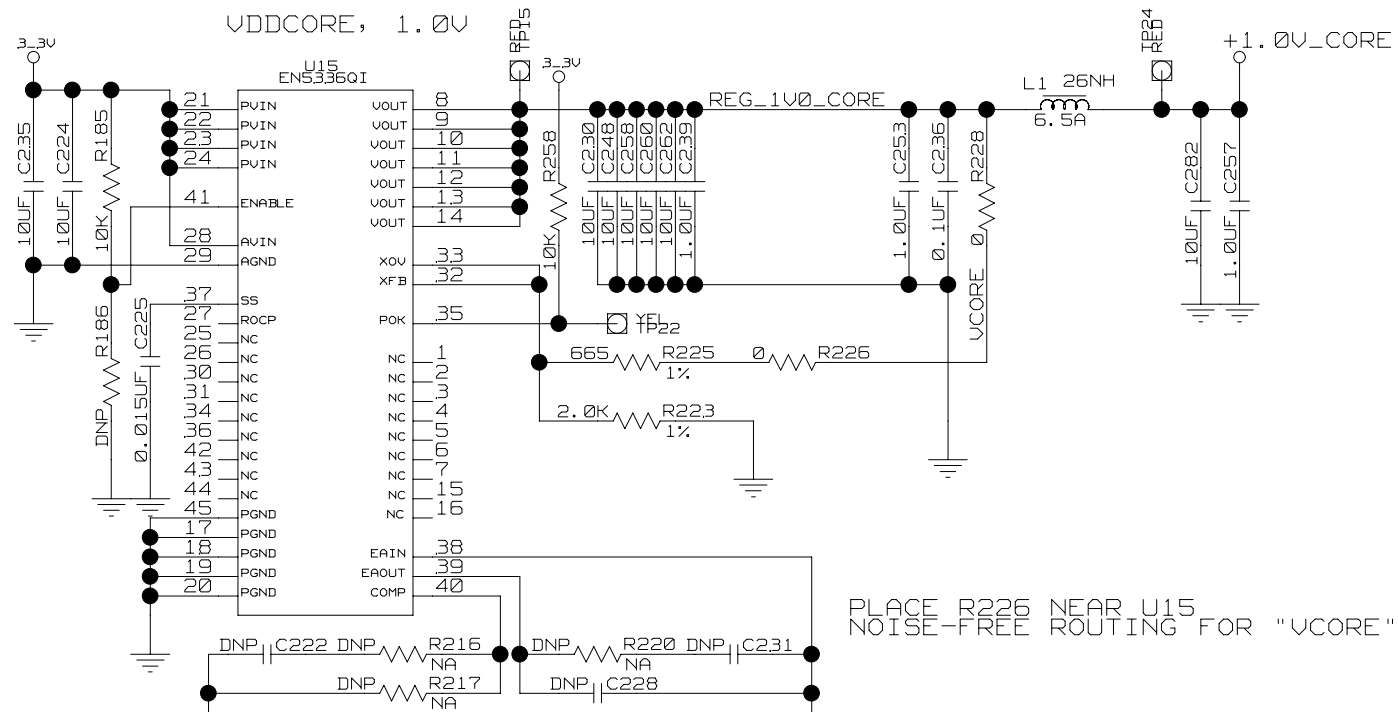
SILKSCREEN TABLE

12V POWER SELECT	W1	W2	W3
EDGE CONNECTOR	1-2	1-2	1-2
EXTERNAL INPUT	2-3	2-3	2-3



CONFIDENTIAL PROPERTY OF INTEGRATED DEVICE TECHNOLOGY, INC.  
6024 SILVER CREEK VALLEY RD. SAN JOSE, CA 95138  
COPYRIGHT (C) IDT2008

TITLE 89EBPES16T4AG2			
RESET, POWER CONNECTOR			
SIZE	DRAWING NO.	FAB P/N	REV.
B	SCH-00157	18-656-000	1.0
AUTHOR		CHECKED BY	
K Leung / T Tran		D Huang	
Fri Jan 18 11:10:25 2008			SHEET 2 OF 12



NOTE:  
ALL POWER NETS USE PLANE OR WIDE TRACE



CONFIDENTIAL PROPERTY OF INTEGRATED DEVICE TECHNOLOGY, INC.  
6024 SILVER CREEK VALLEY RD. SAN JOSE, CA 95138  
COPYRIGHT (C) IDT2008

TITLE 89EBPES16T4AG2

POWER REGULATORS

SIZE B	DRAWING NO. SCH-00157	FAB P/N 18-656-000	REV. 1.0
AUTHOR K Leung / T Tran		CHECKED BY D Huang	
Fri Jan 18 11:10:25 2008			SHEET 3 OF 12

D

C

B

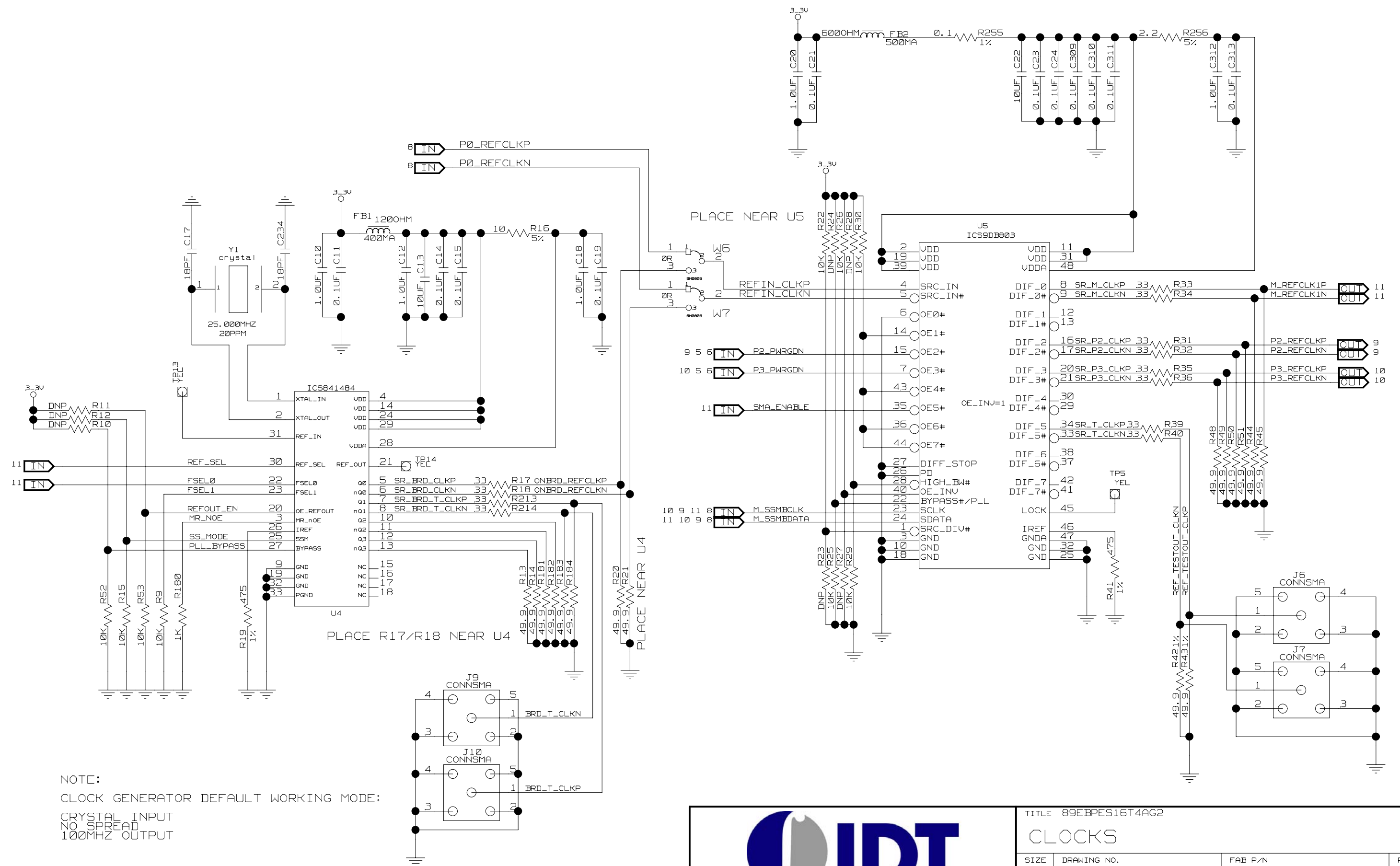
A

D

C

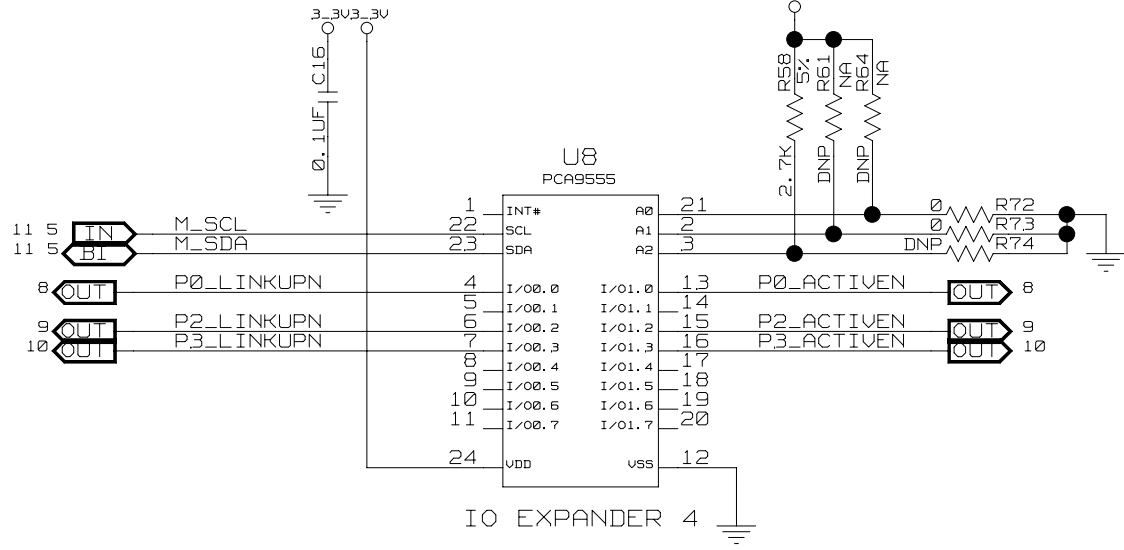
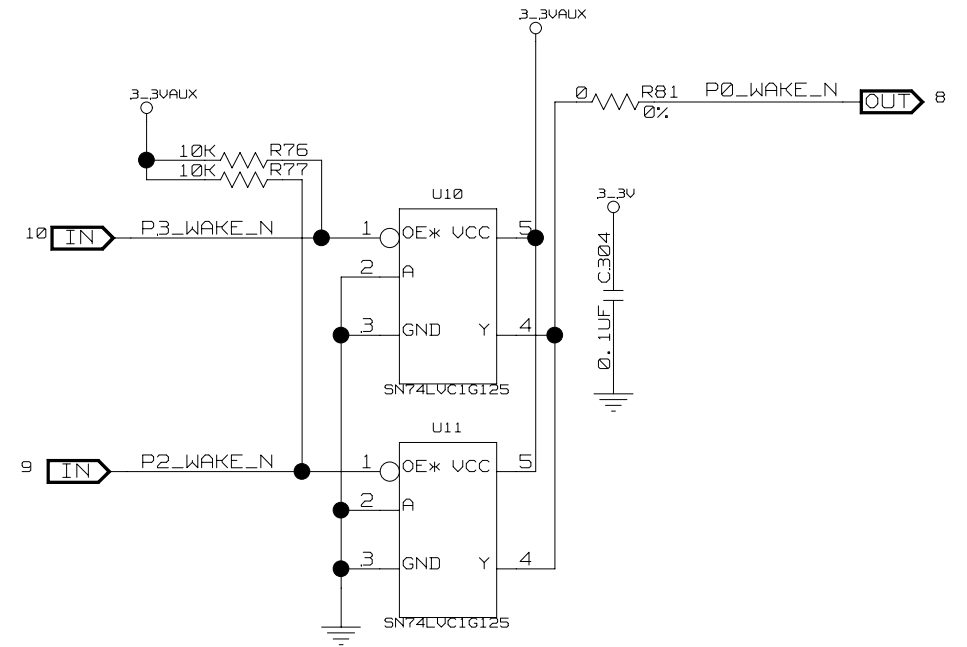
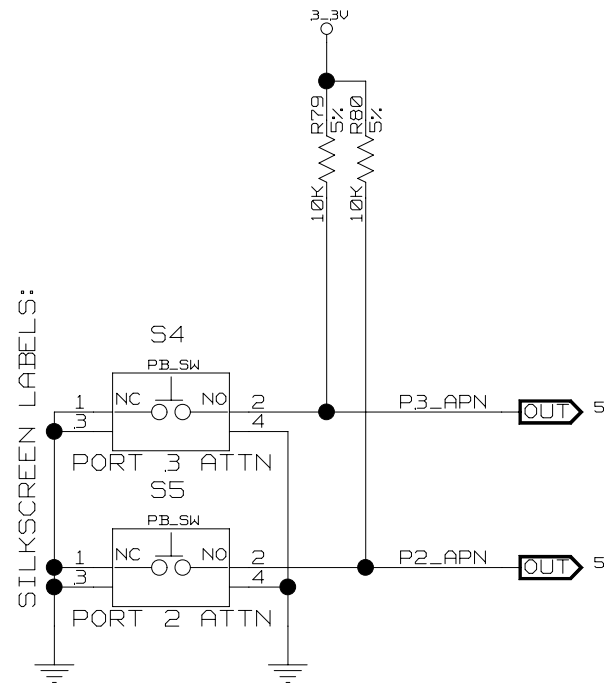
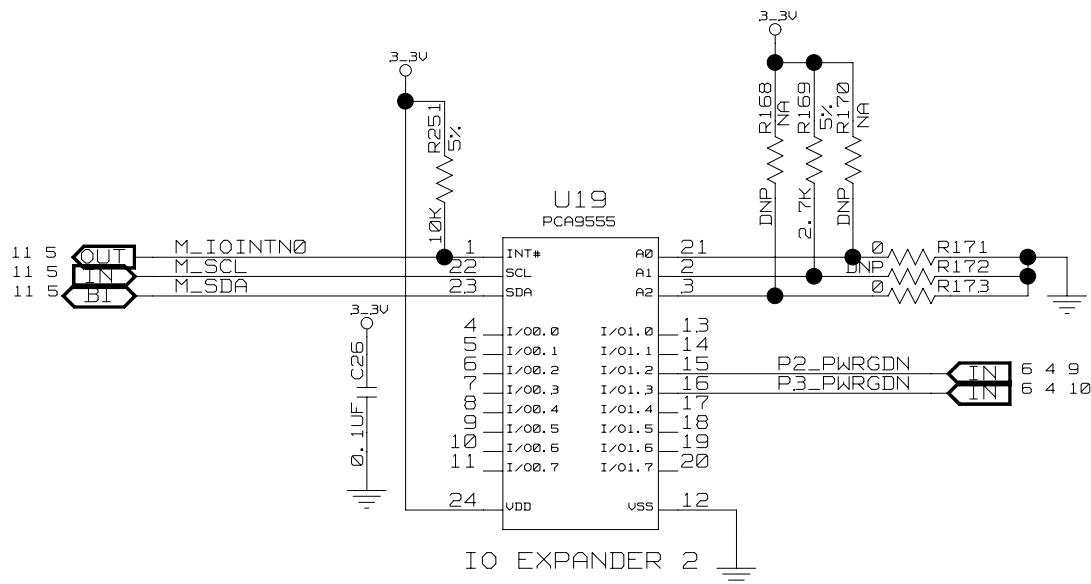
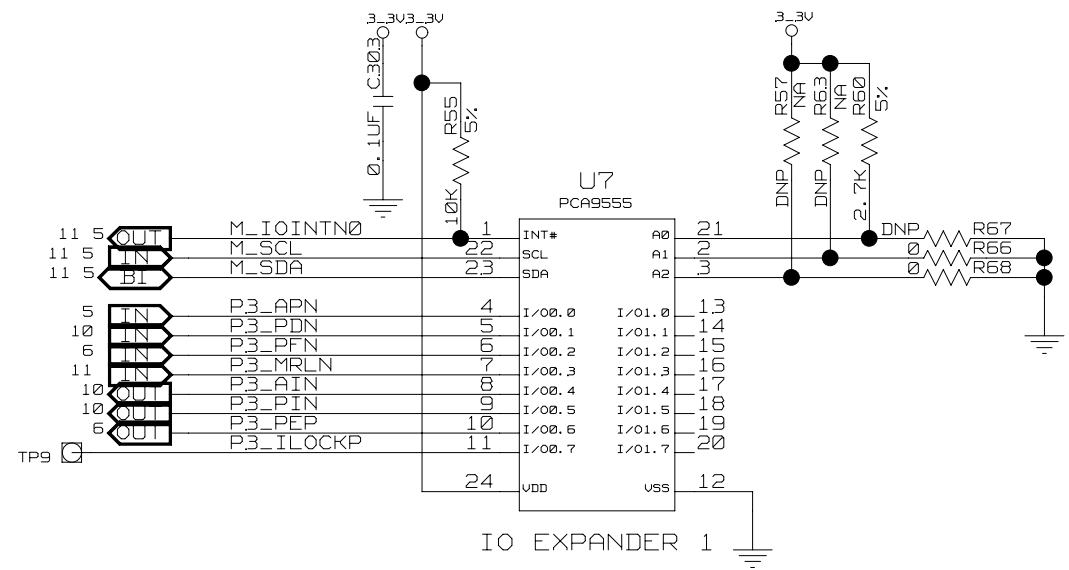
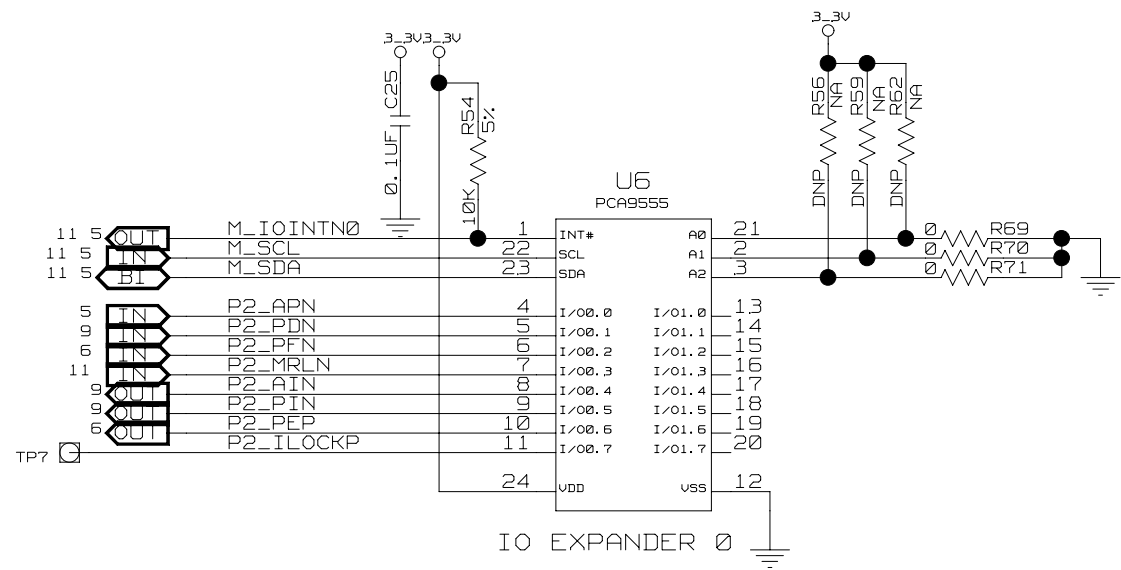
B

A



NOTE:  
 CLOCK GENERATOR DEFAULT WORKING MODE:  
 CRYSTAL INPUT  
 NO SPREAD  
 100MHZ OUTPUT

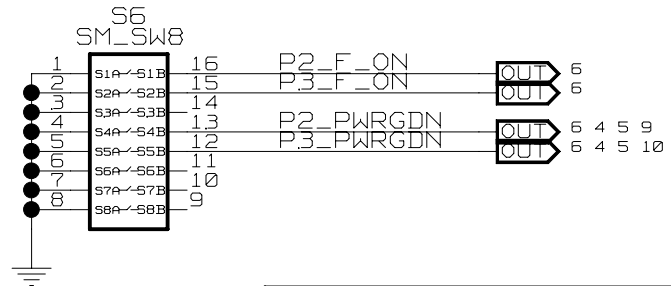
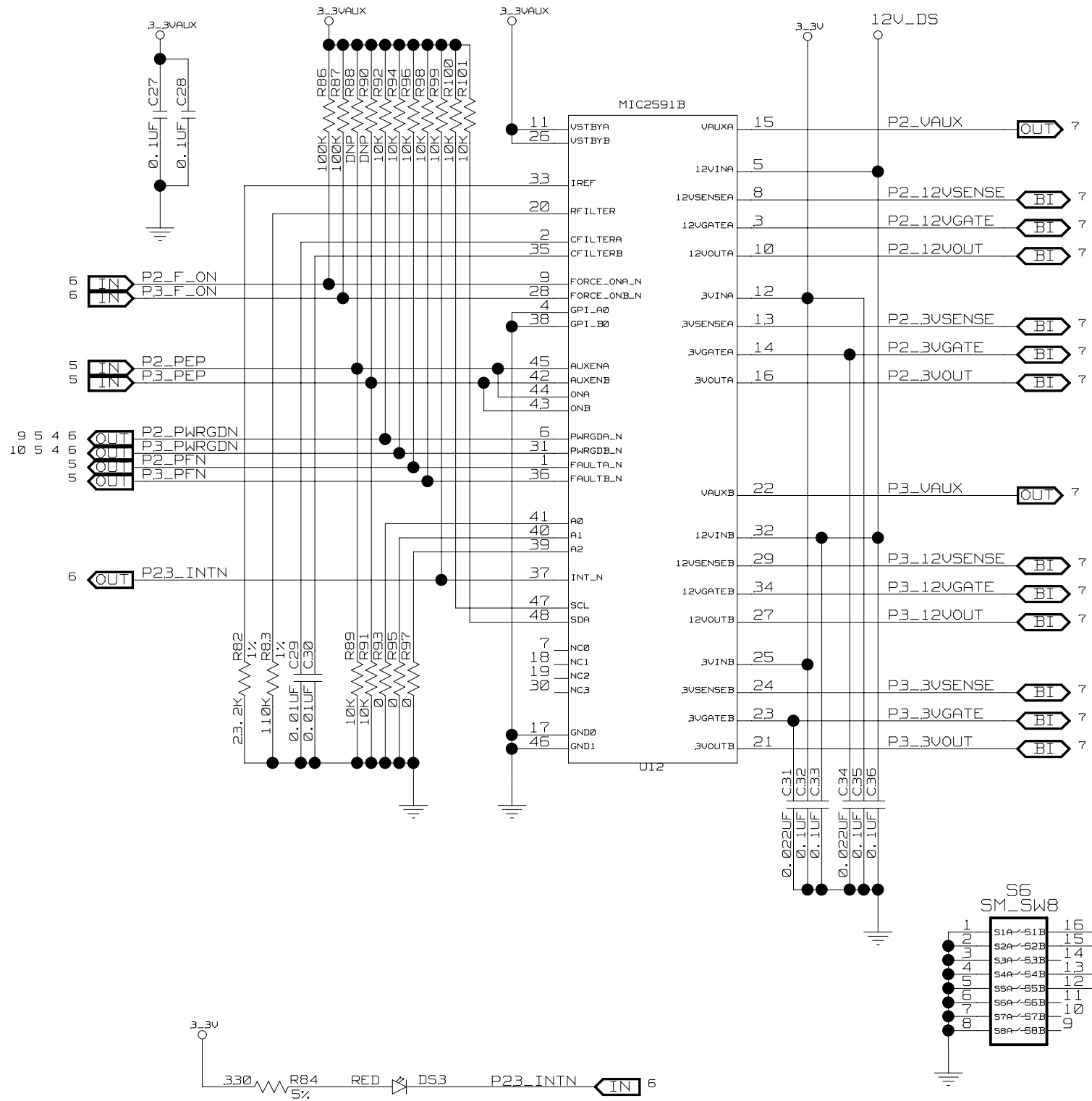
		TITLE 89EBPES16T4AG2	
		CLOCKS	
SIZE B	DRAWING NO. SCH-00157	FAB P/N 18-656-000	REV. 1.0
AUTHOR K Leung / T Tran		CHECKED BY D Huang	
Fri Jan 18 11:10:26 2008			SHEET 4 OF 12



**IDT**™

CONFIDENTIAL PROPERTY OF INTEGRATED DEVICE TECHNOLOGY, INC.  
6024 SILVER CREEK VALLEY RD. SAN JOSE, CA 95138  
COPYRIGHT (C) IDT2008

TITLE 89EBPES16T4AG2			
IO EXP, WAKE, ATTN BUTTONS			
SIZE	DRAWING NO.	FAB P/N	REV.
B	SCH-00157	18-656-000	1.0
AUTHOR		CHECKED BY	
K Leung / T Tran		D Huang	
Fri Jan 18 11:10:26 2008			SHEET 5 OF 12



SILKSCREEN LABEL:

POS	DESCRIPTION
1	PORT 1 - FORCE ON
2	PORT 2 - FORCE ON
3	PORT 3 - PWR GOOD
4	PORT 4 - PWR GOOD
5	PORT 5 - PWR GOOD
6	PORT 6 - PWR GOOD

CONFIDENTIAL PROPERTY OF INTEGRATED DEVICE TECHNOLOGY, INC.  
 6024 SILVER CREEK VALLEY RD. SAN JOSE, CA 95138  
 COPYRIGHT (C) IDT2008

TITLE 89EBPES16T4AG2			
HOT PLUG CONTROLLERS			
SIZE B	DRAWING NO. SCH-00157	FAB P/N 18-656-000	REV. 1.0
AUTHOR K Leung / T Tran		CHECKED BY D Huang	
Fri Jan 18 11:10:26 2008			SHEET 6 OF 12

D

D

C

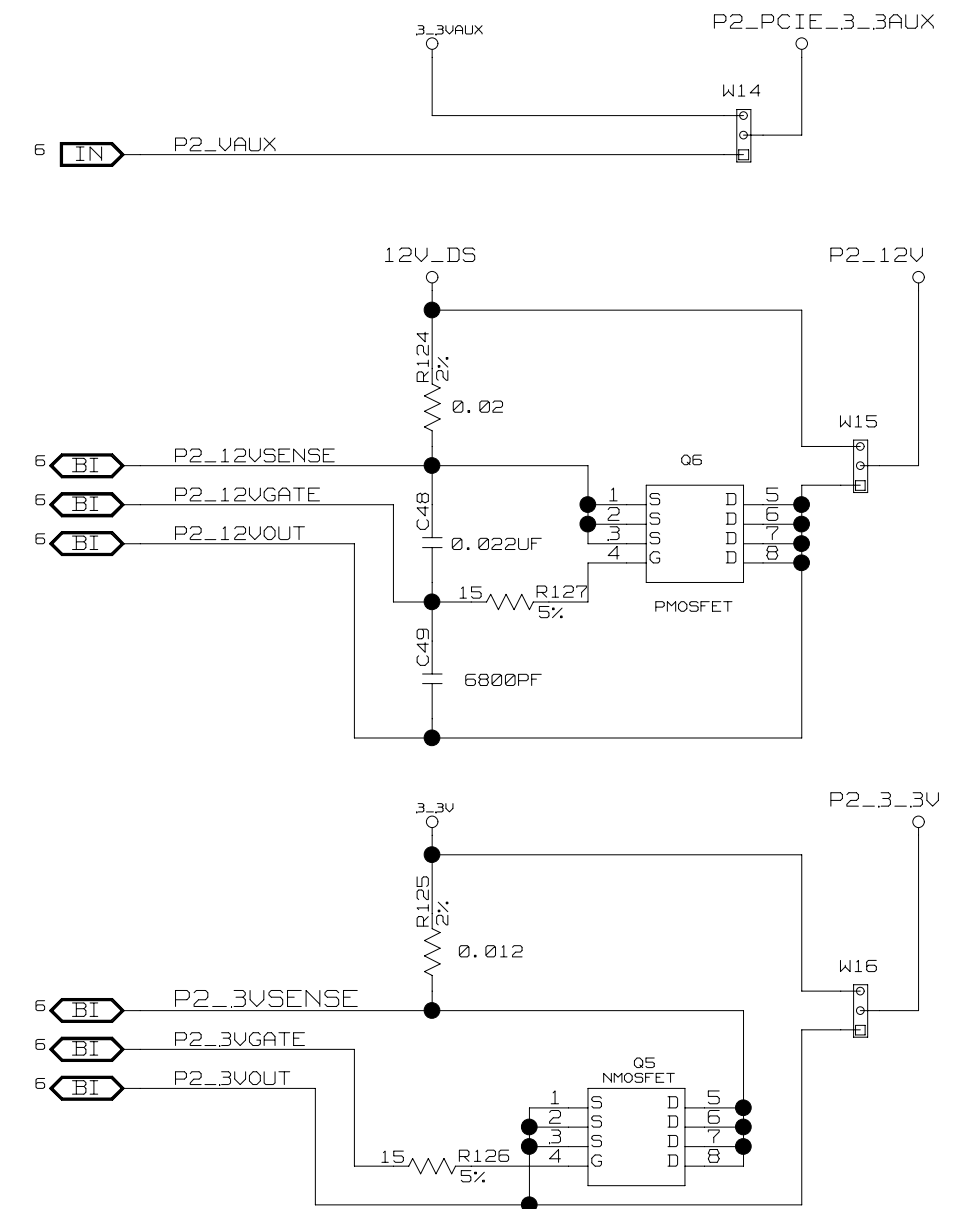
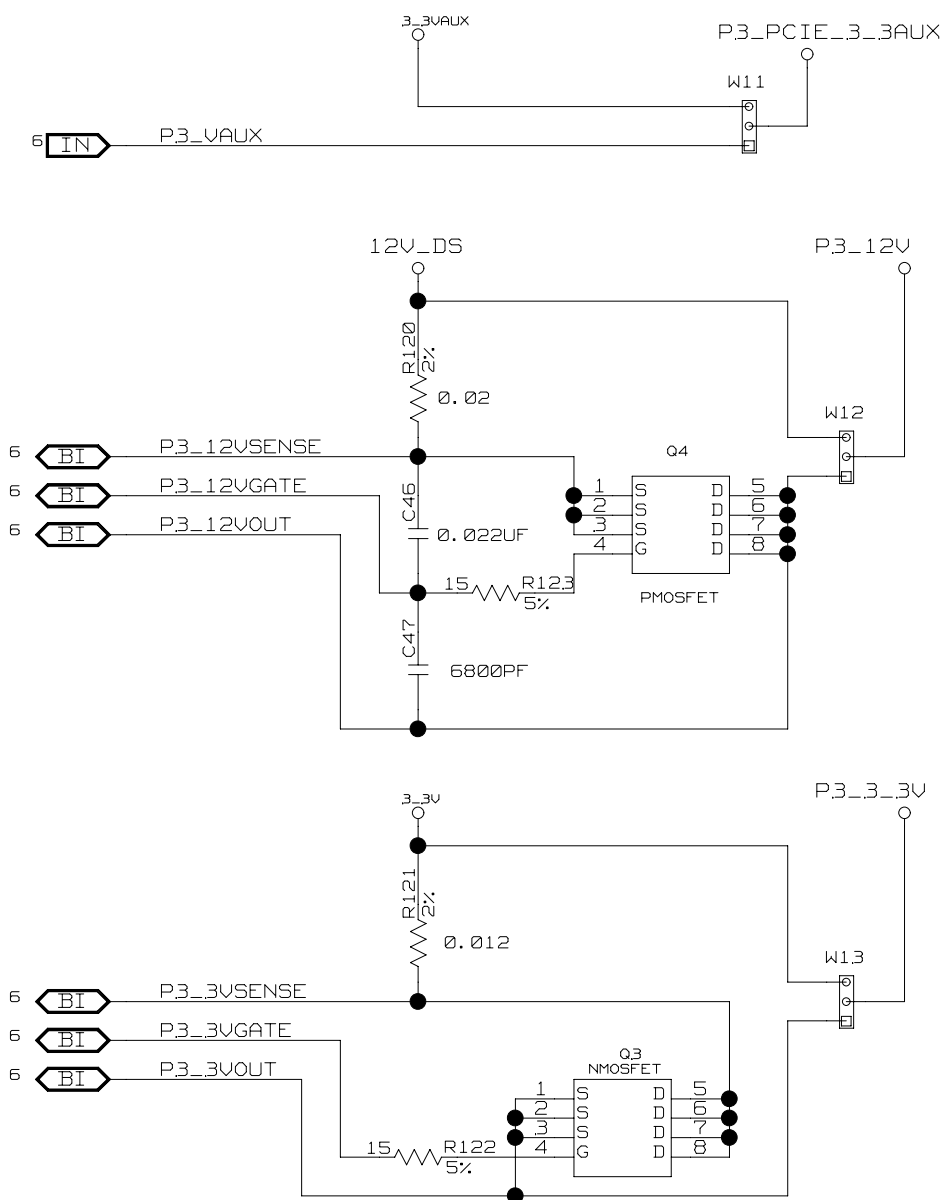
C

B

B

A

A



NOTE; USE PLANES OR WIDE TRACES FOR ALL POWER NETS



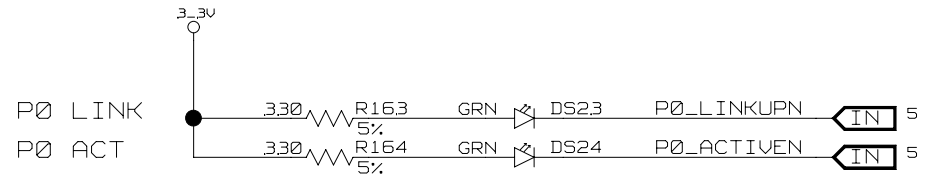
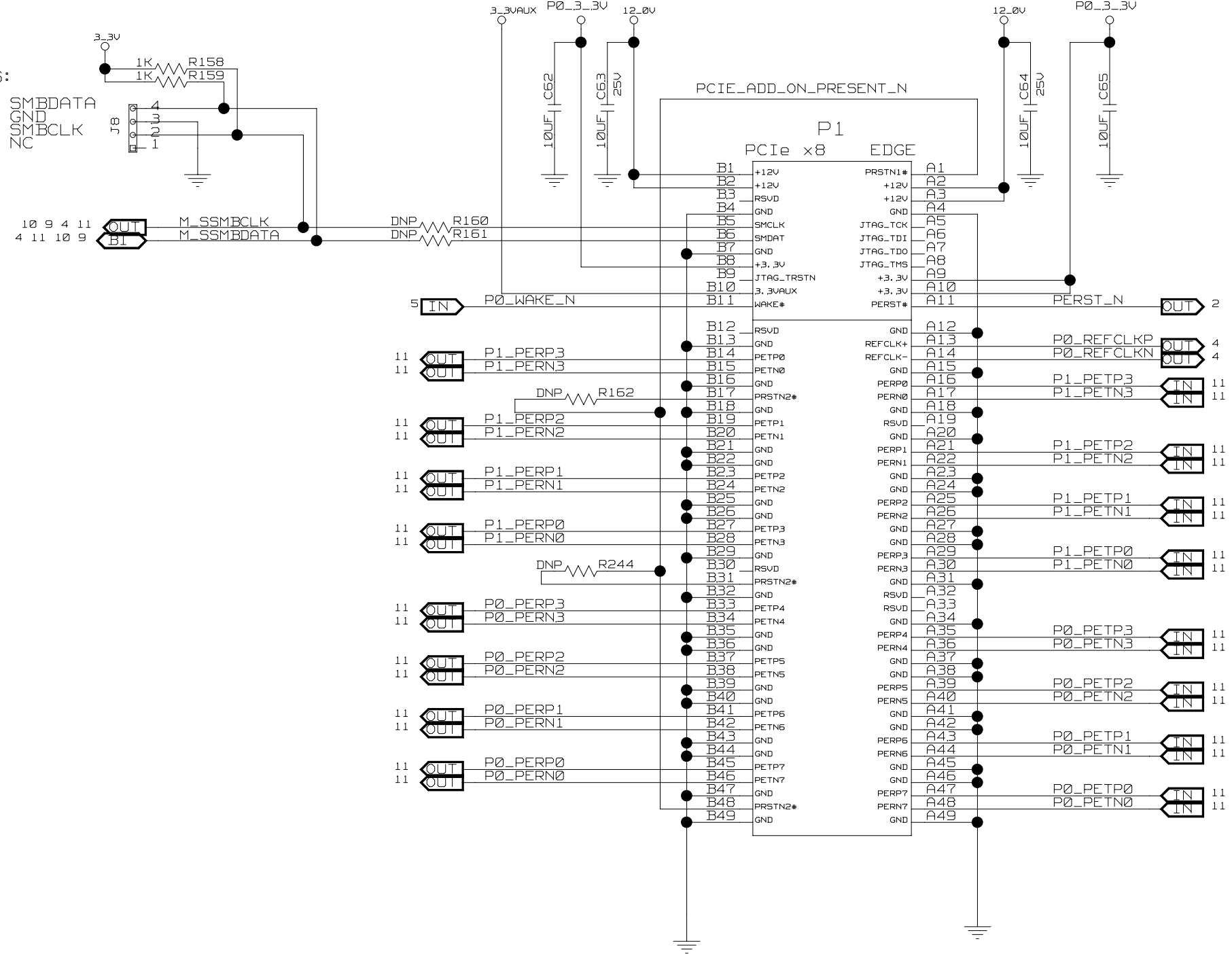
CONFIDENTIAL PROPERTY OF INTEGRATED DEVICE TECHNOLOGY, INC.  
6024 SILVER CREEK VALLEY RD. SAN JOSE, CA 95138  
COPYRIGHT (C) IDT2008

TITLE 89EBPES16T4AG2			
HOT PLUG - MOSFETS			
SIZE B	DRAWING NO. SCH-00157	FAB P/N 18-656-000	REV. 1.0
AUTHOR K Leung / T Tran		CHECKED BY D Huang	
Fri Jan 18 11:10:26 2008			SHEET 7 OF 12

LABEL PINS:

4 SMBDATA  
 1 GND  
 2 SMBCLK  
 3 C

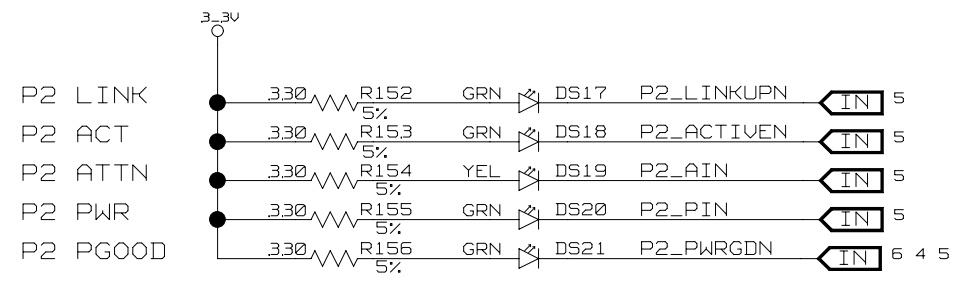
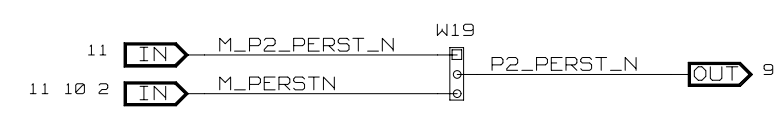
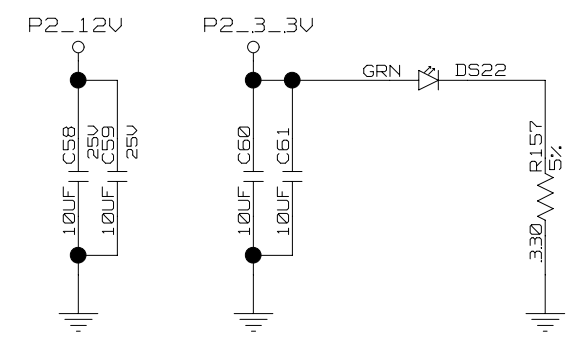
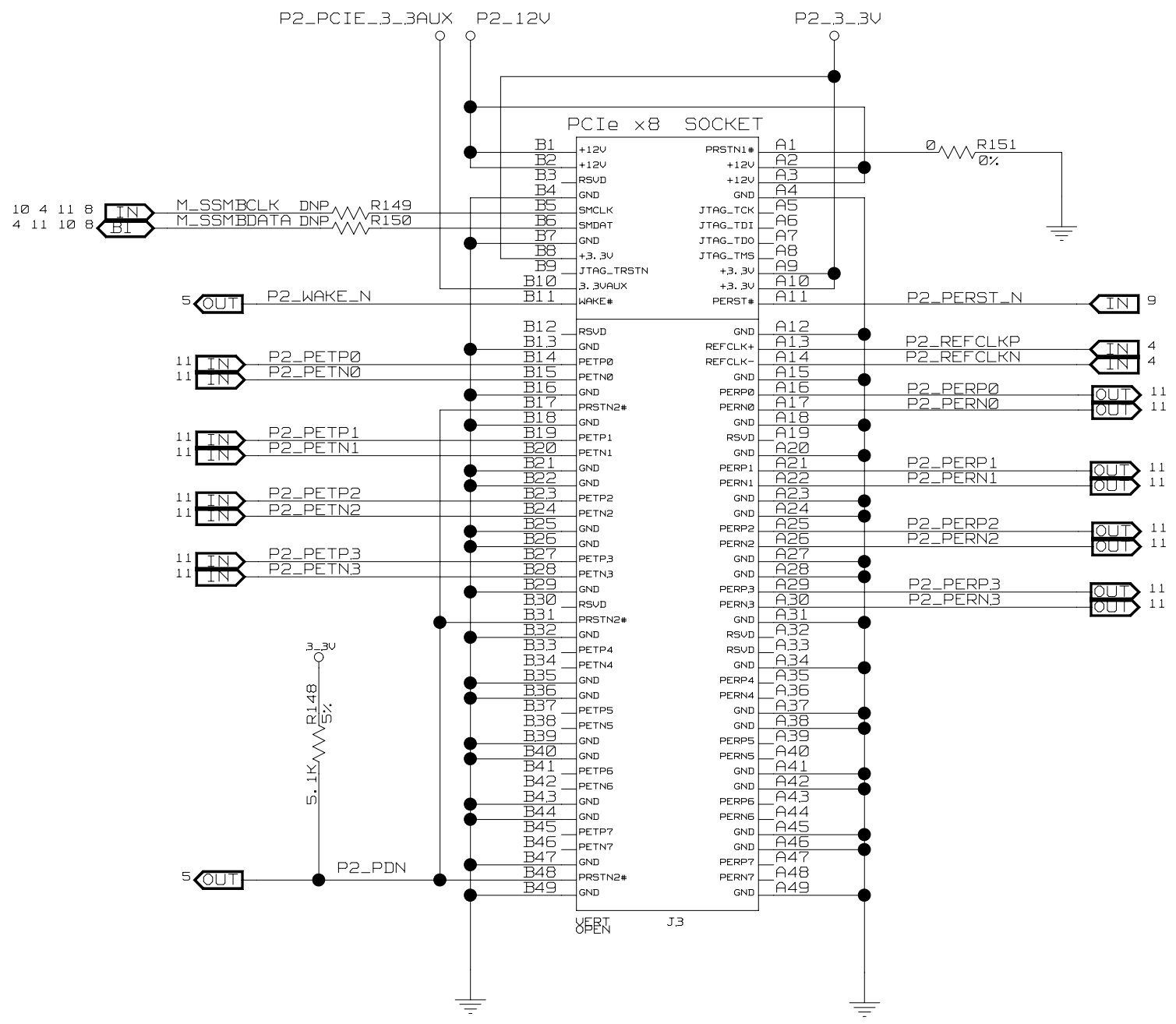
10 9 4 11  
 4 11 10 9



CONFIDENTIAL PROPERTY OF INTEGRATED DEVICE TECHNOLOGY, INC.  
 6024 SILVER CREEK VALLEY RD. SAN JOSE, CA 95138  
 COPYRIGHT (C) IDT2008

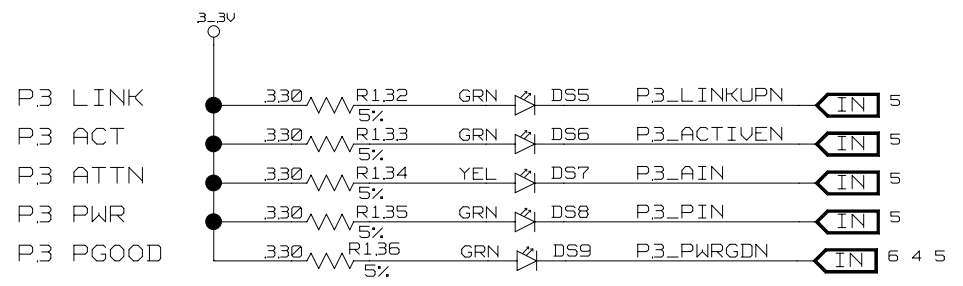
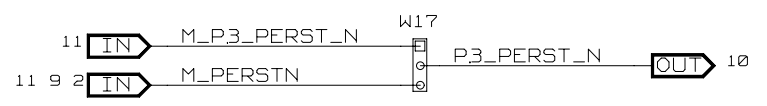
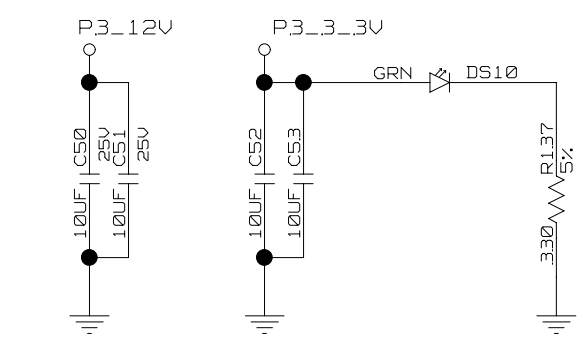
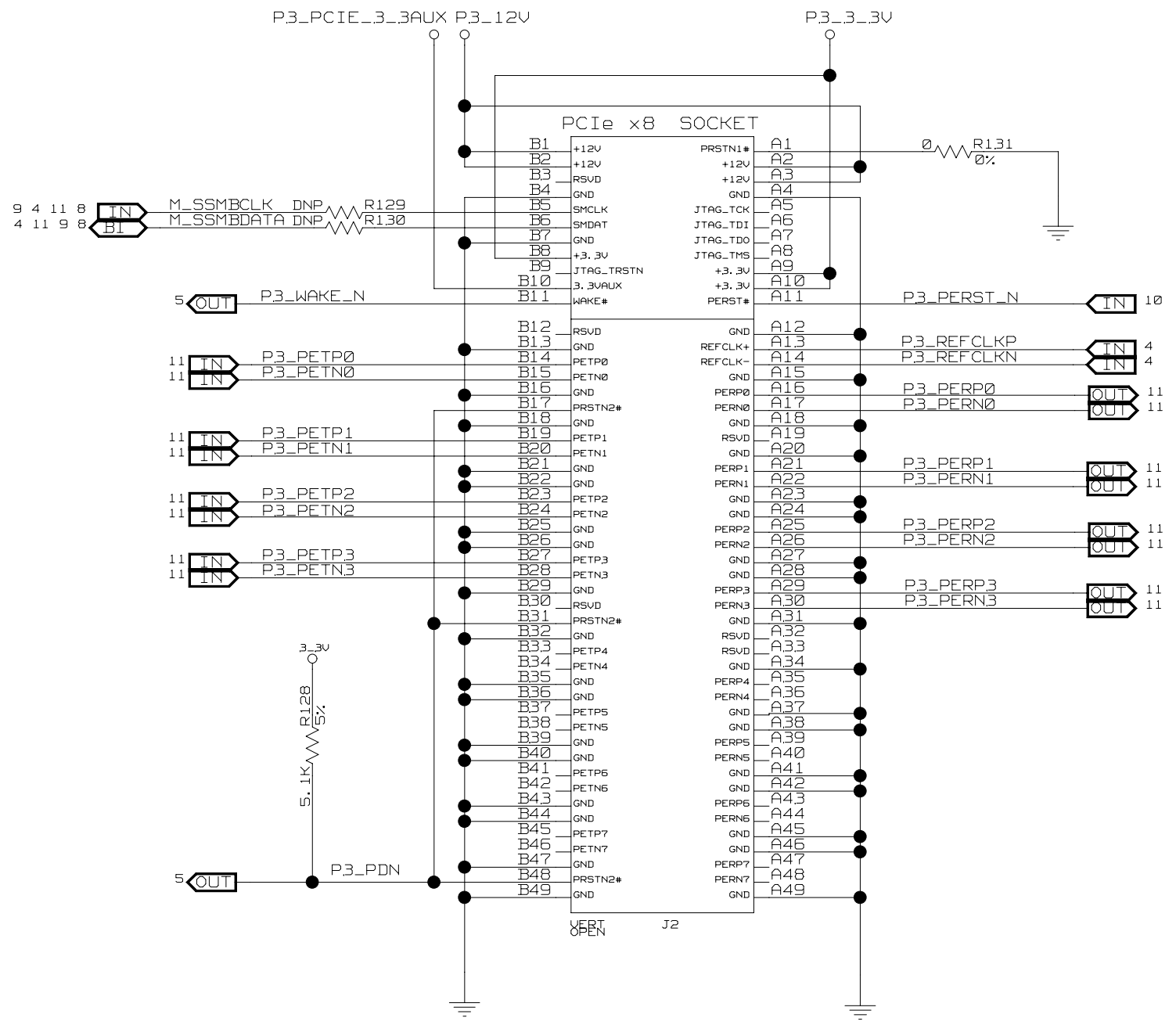
TITLE 89EBPES16T4G2			
PORT 0 UPSTREAM EDGE CONN.			
SIZE B	DRAWING NO. SCH-00157	FAB P/N 18-656-000	REV. 1.0
AUTHOR K Leung / T Tran		CHECKED BY D Huang	
Fri Jan 18 11:10:24 2008			SHEET 8 OF 12






CONFIDENTIAL PROPERTY OF INTEGRATED DEVICE TECHNOLOGY, INC.  
 6024 SILVER CREEK VALLEY RD. SAN JOSE, CA 95138  
 COPYRIGHT (C) IDT2008

TITLE 89EBPES16T4AG2			
PORT 2 CONNECTOR			
SIZE B	DRAWING NO. SCH-00157	FAB P/N 18-656-000	REV. 1.0
AUTHOR K Leung / T Tran		CHECKED BY D Huang	
Fri Jan 18 11:10:24 2008			SHEET 9 OF 12





CONFIDENTIAL PROPERTY OF INTEGRATED DEVICE TECHNOLOGY, INC.  
6024 SILVER CREEK VALLEY RD. SAN JOSE, CA 95138  
COPYRIGHT (C) IDT2008

TITLE 89EBPES16T4AG2  
**PORT 3 CONNECTOR**

SIZE B	DRAWING NO. SCH-00157	FAB P/N 18-656-000	REV. 1.0
AUTHOR K Leung / T Tran		CHECKED BY D Huang	
Fri Jan 18 11:10:27 2008			SHEET 10 OF 12

D

C

B

A

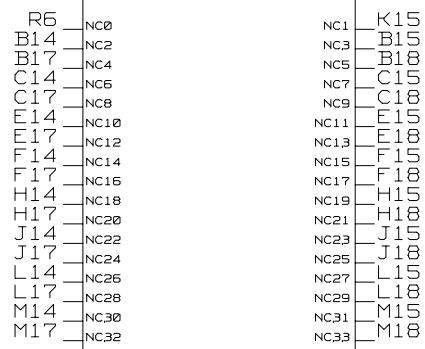
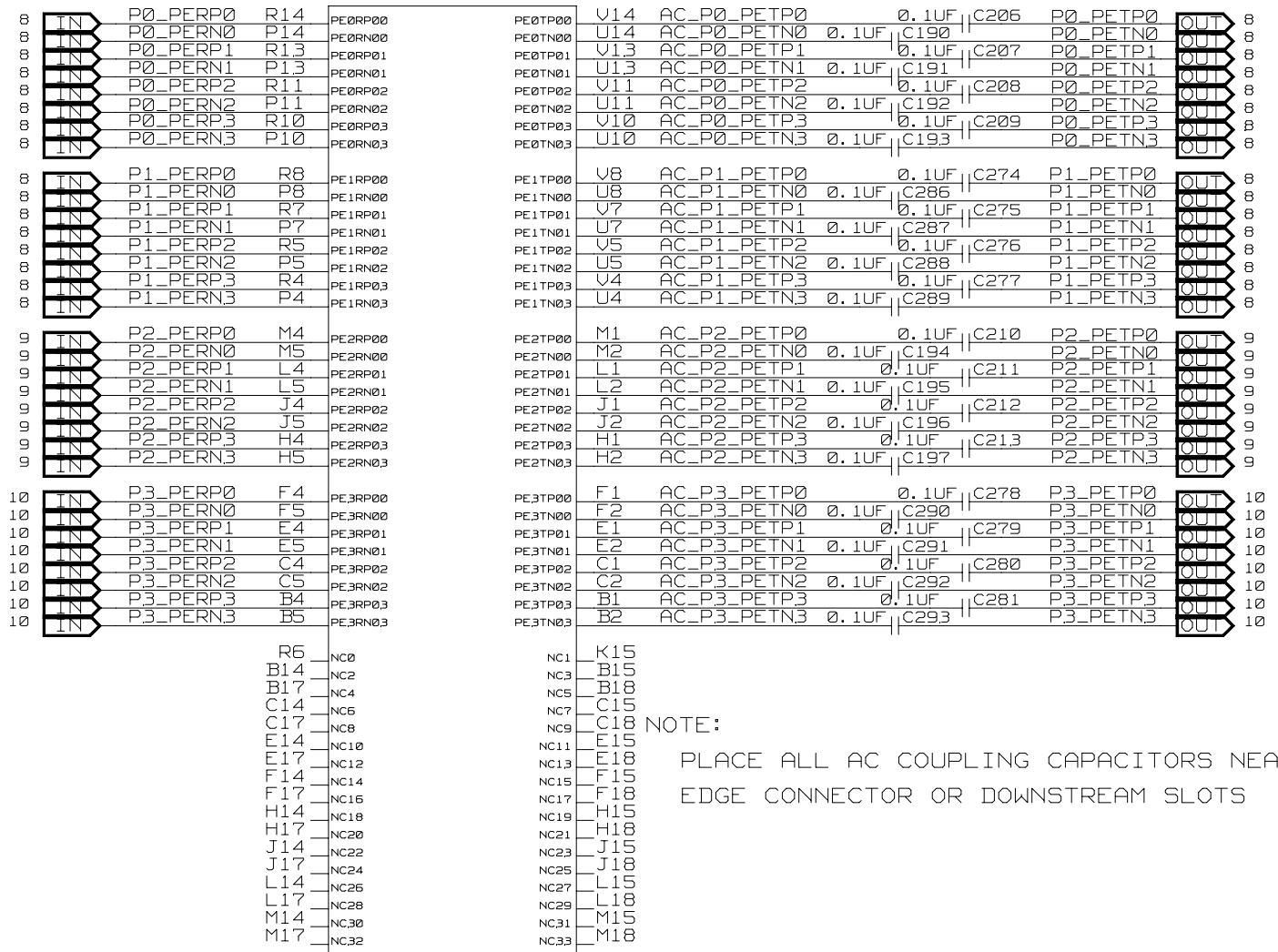
D

C

B

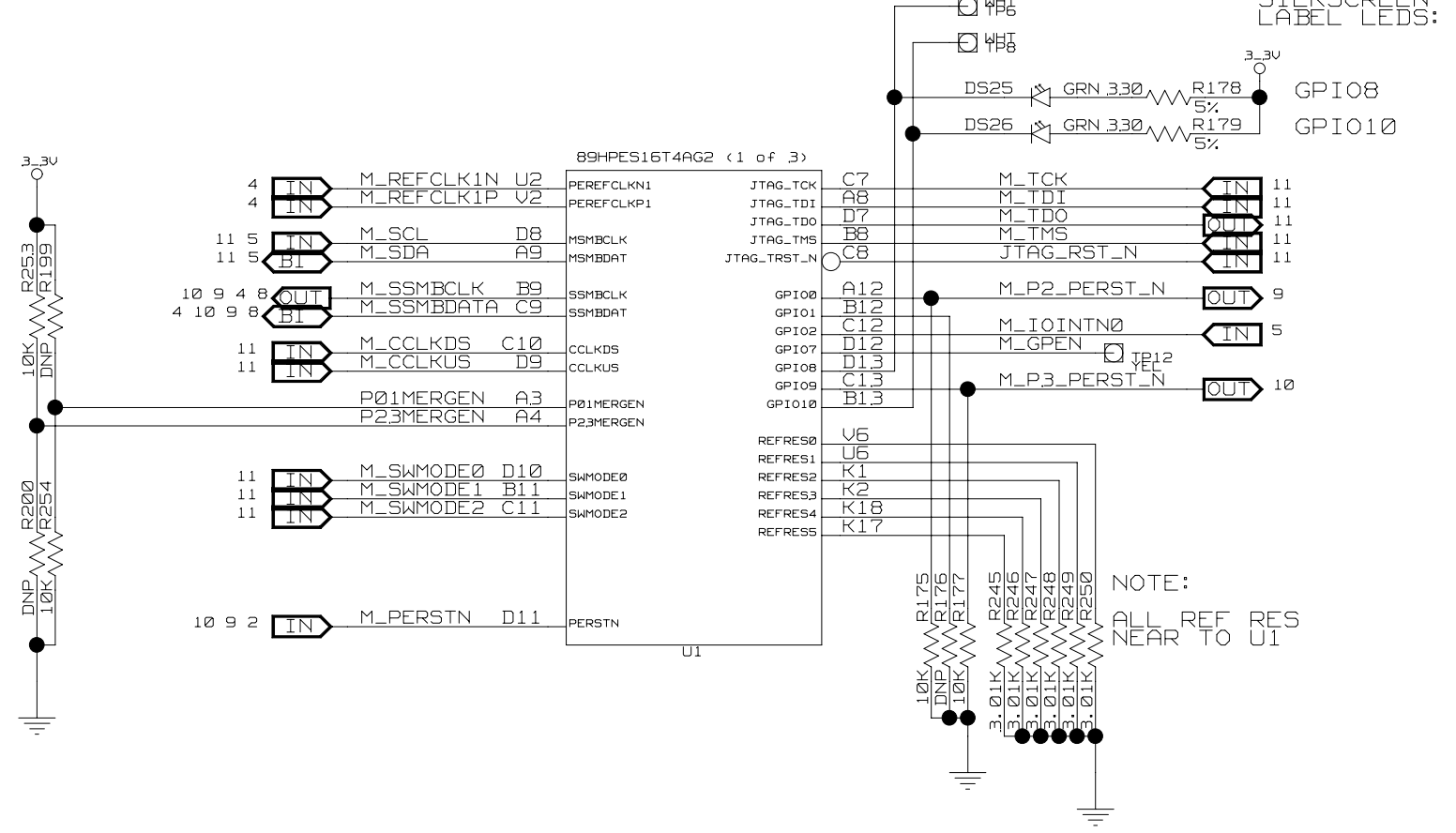
A

89HPES16T4AG2 (2 of 3)

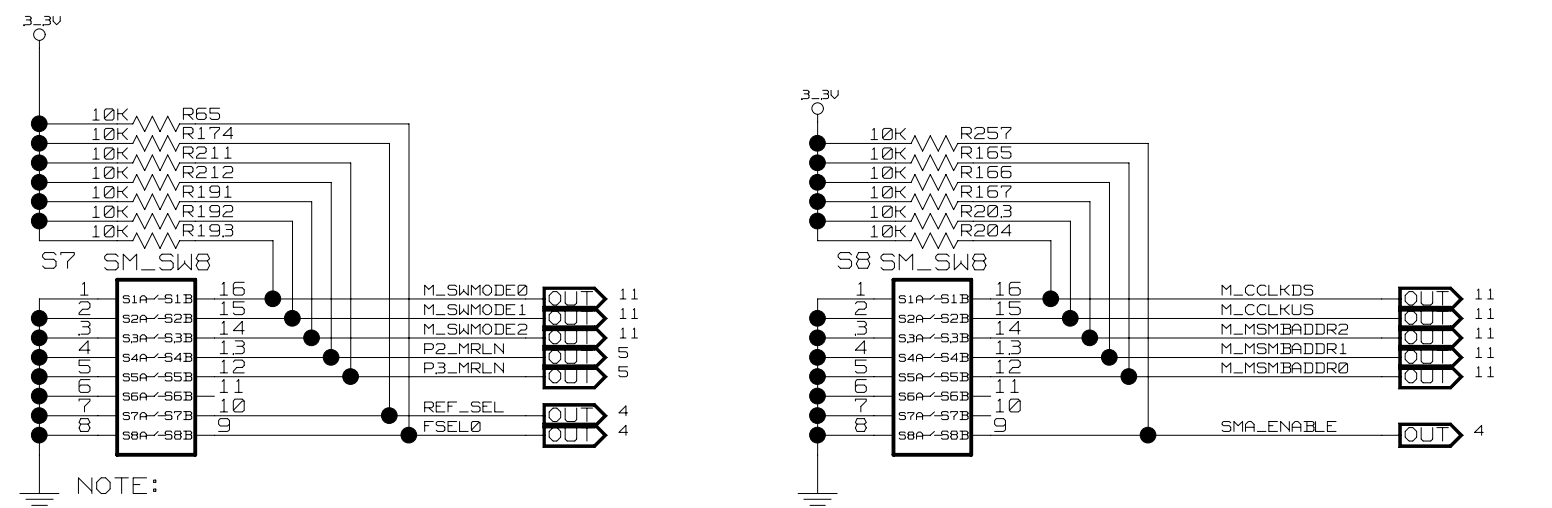


NOTE: PLACE ALL AC COUPLING CAPACITORS NEAR EDGE CONNECTOR OR DOWNSTREAM SLOTS

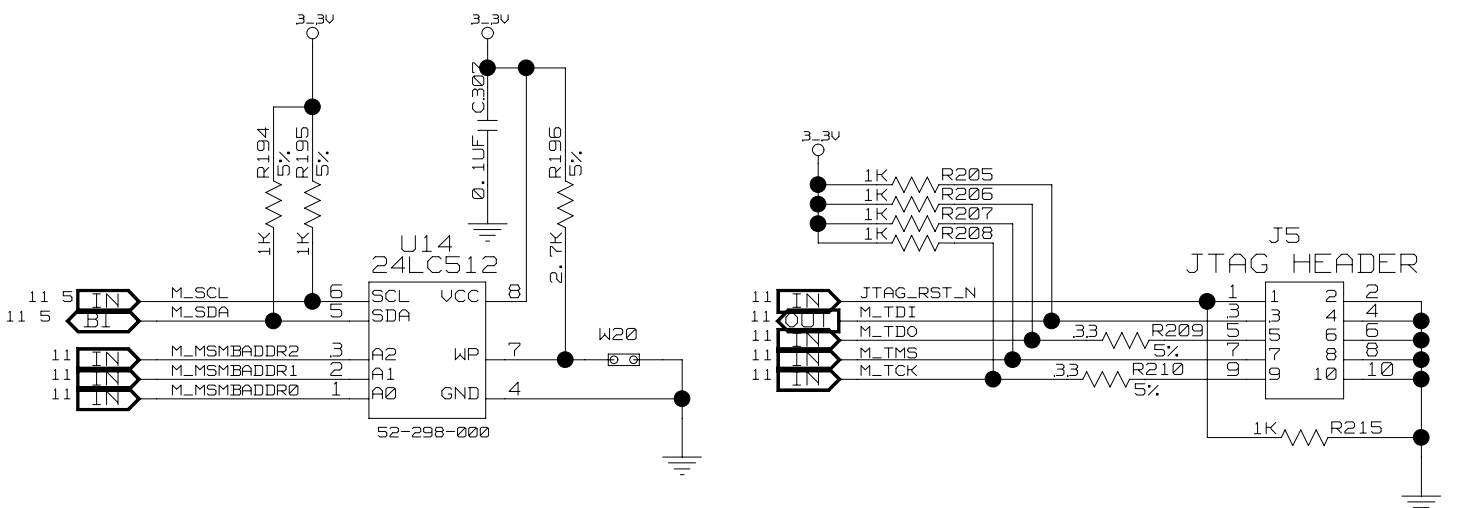
SILKSCREEN LABEL LEDS:



NOTE: ALL REF RES NEAR TO U1



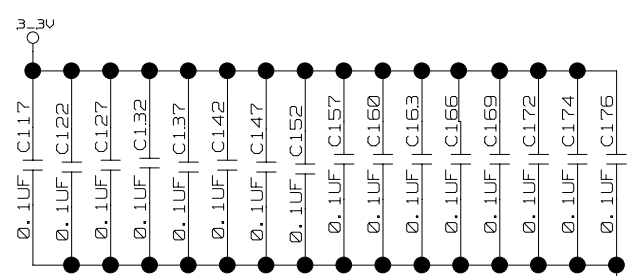
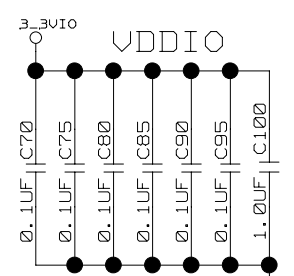
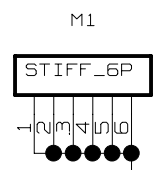
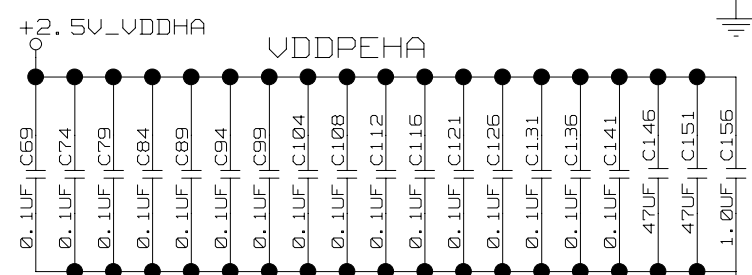
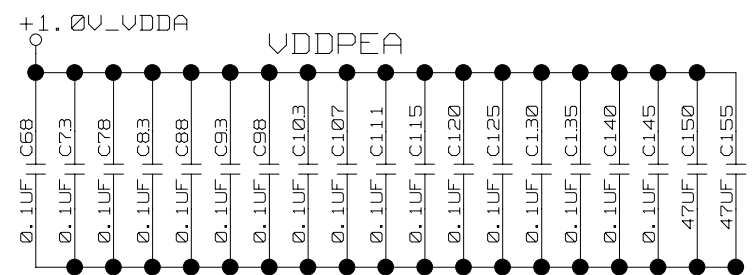
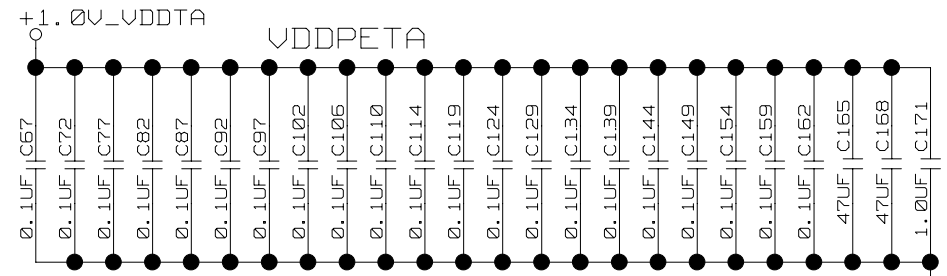
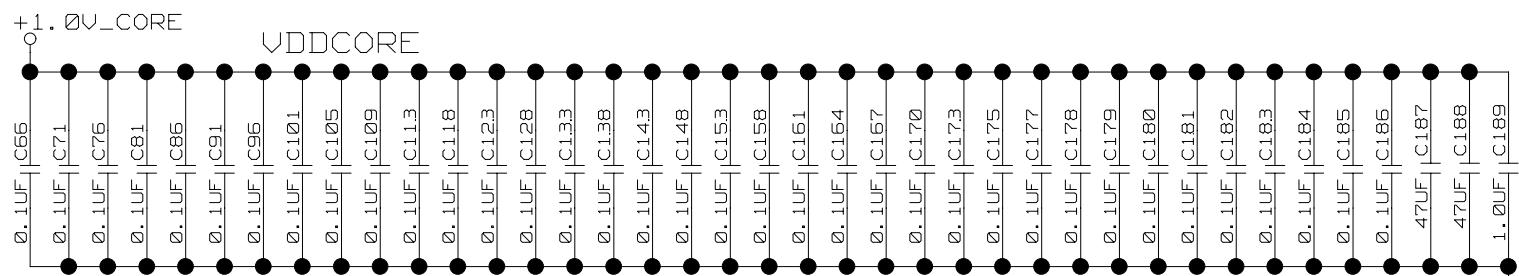
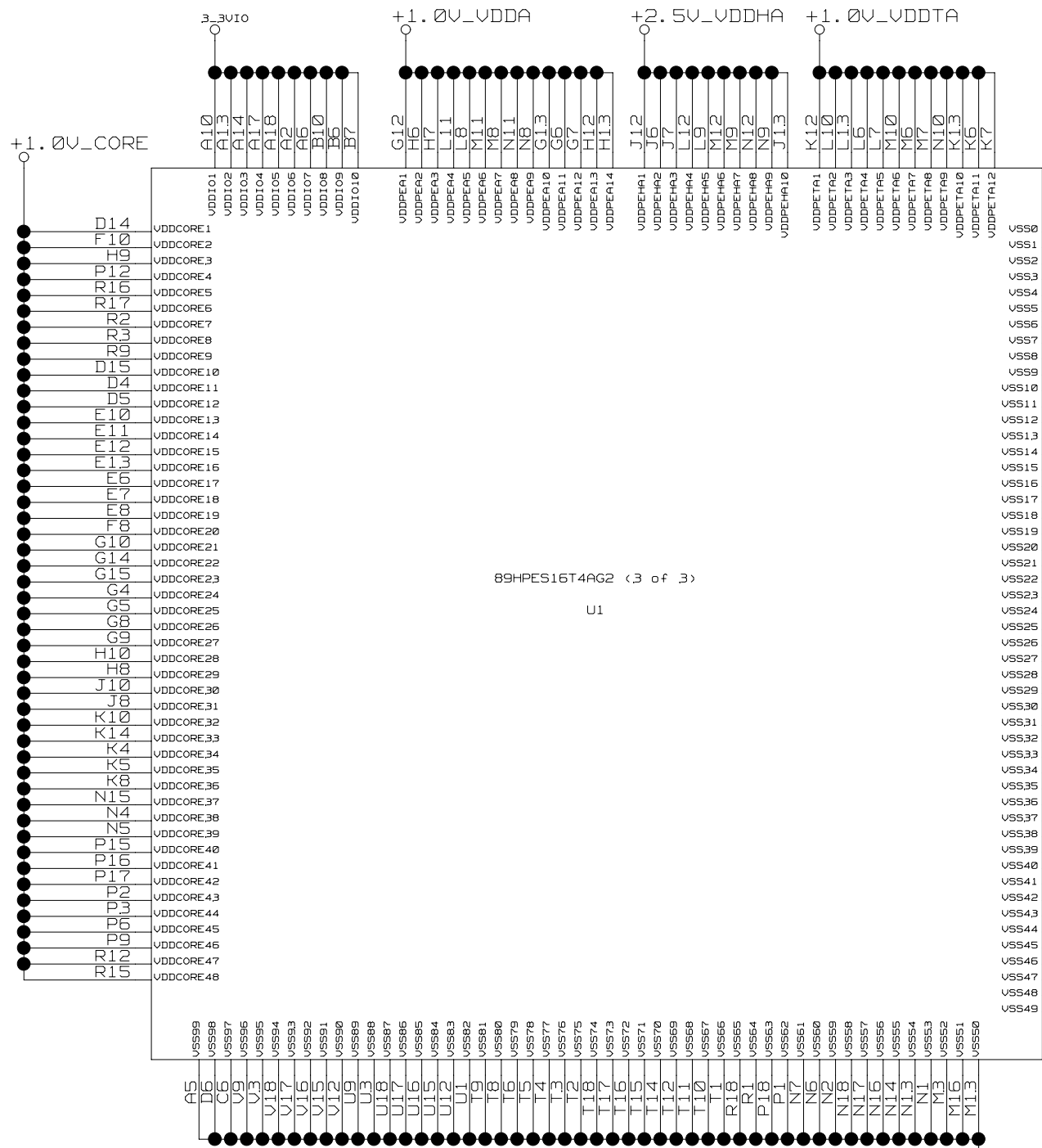
NOTE: BOTH BIT7 AND BIT8 DEFAULT ARE "ON".



CONFIDENTIAL PROPERTY OF INTEGRATED DEVICE TECHNOLOGY, INC.  
6024 SILVER CREEK VALLEY RD. SAN JOSE, CA 95138  
COPYRIGHT (C) IDT2008

TITLE 89EPES16T4AG2  
89HPES16T4AG2 - EEPROM, JTAG

SIZE B	DRAWING NO. SCH-00157	FAB P/N 18-656-000	REV. 1.0
AUTHOR K Leung / T Tran		CHECKED BY D Huang	
Fri Jan 18 11:10:24 2008			SHEET 11 OF 12



TITLE 89EBPES16T4AG2

**89HPES16T4AG2 - POWER**

SIZE B	DRAWING NO. SCH-00157	FAB P/N 18-656-000	REV. 1.0
AUTHOR K Leung / T Tran		CHECKED BY D Huang	
Fri Jan 18 11:10:27 2008			SHEET 12 OF 12

CONFIDENTIAL PROPERTY OF INTEGRATED DEVICE TECHNOLOGY, INC.  
6024 SILVER CREEK VALLEY RD. SAN JOSE, CA 95138  
COPYRIGHT (C) IDT2008