

## Off-Line Digital Power Controller for LED Driver with High Power Factor and Low-Ripple Current

### 1 Description

The iW3625 is a high performance, single-stage AC/DC power controller for LED luminaires with power factor (PF) correction. The device uses digital control technology to build unique control in PWM buck power supplies to achieve high power factor while minimizing the LED current ripple. This distinctive control approach enables the capability for users to make trade-offs between the PF and LED current ripple in a single-stage design. It can achieve excellent LED current regulation over line and load variation, without the need for secondary feedback circuit. The built-in temperature sensor along with control logic can automatically adjust output current in real-time without visible flicker during the process. Alternatively, the external NTC thermistor is placed close to the hot spots in a design to provide thermal protection in the similar pattern by derating LED current. The iW3625 operates in quasi-resonant mode to provide high efficiency along with a number of key built-in protection features while minimizing the external component count, simplifying EMI design, and lowering the total bill of material cost. It also eliminates the need for loop compensation components while maintaining stability over all operating conditions.

Renesas' innovative proprietary technology maximizes the iW3625 performance in a tiny SOT-23 package. The iW3625 offers two multi-function pins allowing users to configure PF and LED current derating as required with no cost or size impact, thereby providing design flexibility. In addition to providing the temperature sensing via an NTC resistor, the MULTI pin also enables active start-up scheme to achieve the shortest possible start-up time without sacrificing active efficiency.

### 2 Features

- All-in-one non-dimmable low-cost off-line LED driver
- Supports buck topology for high efficiency (> 90%)
- Supports universal input voltage range (90V<sub>AC</sub> to 277V<sub>AC</sub>) and output power up to 45W
- High power factor (PF) with low current-ripple control technology
- User-configurable power factor setting (> 0.7 to > 0.95)
- Able to achieve low THD (< 20%)
- User-configurable internal or external over-temperature protection (OTP) with temperature-current derating
- Tight LED current regulation ( $\pm 5\%$ ) across line and load, and within power inductance tolerance ( $\pm 20\%$ )
- Stabilized LED current-ripple control without visible shimmer or flicker
- Active start-up scheme enables fastest possible start-up
- 72kHz nominal PWM switching frequency with quasi-resonant operation
- **EZ-EMI**<sup>™</sup> design enhances manufacturability
- Built-in single-point fault protection features: LED open-/short-circuit protection and over-current protection
- No audible noise over entire operating range

### 3 Applications

- Solid-state LED lighting
- LED lighting ballast



Off-Line Digital Power Controller for LED Driver with High Power Factor and Low-Ripple Current

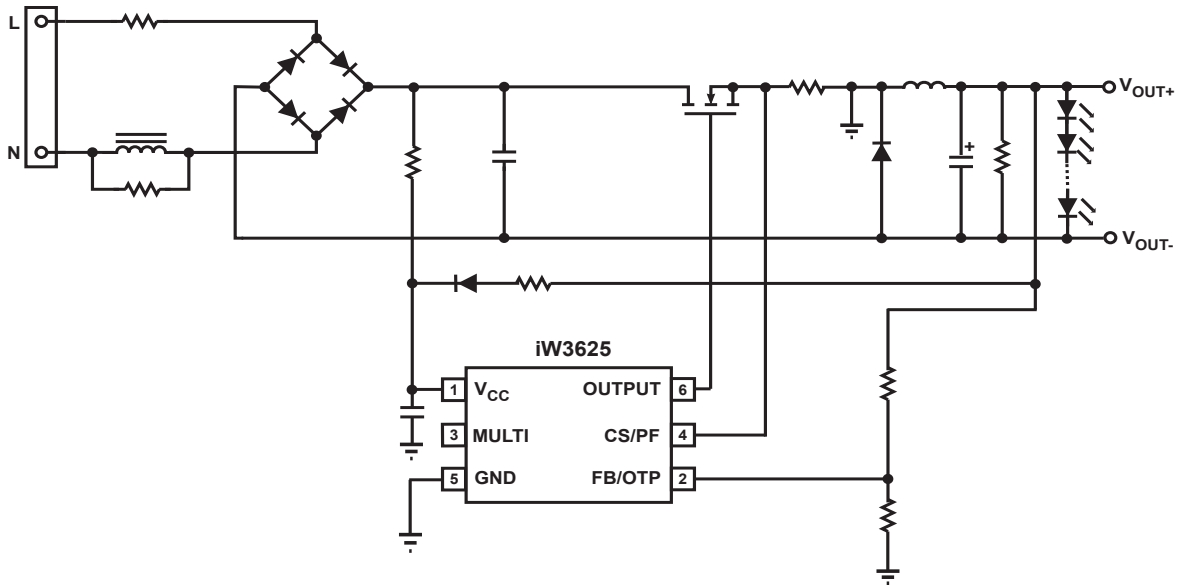


Figure 3.1 : iW3625 Typical Application Circuit (Non-Isolated Floating Buck Application)

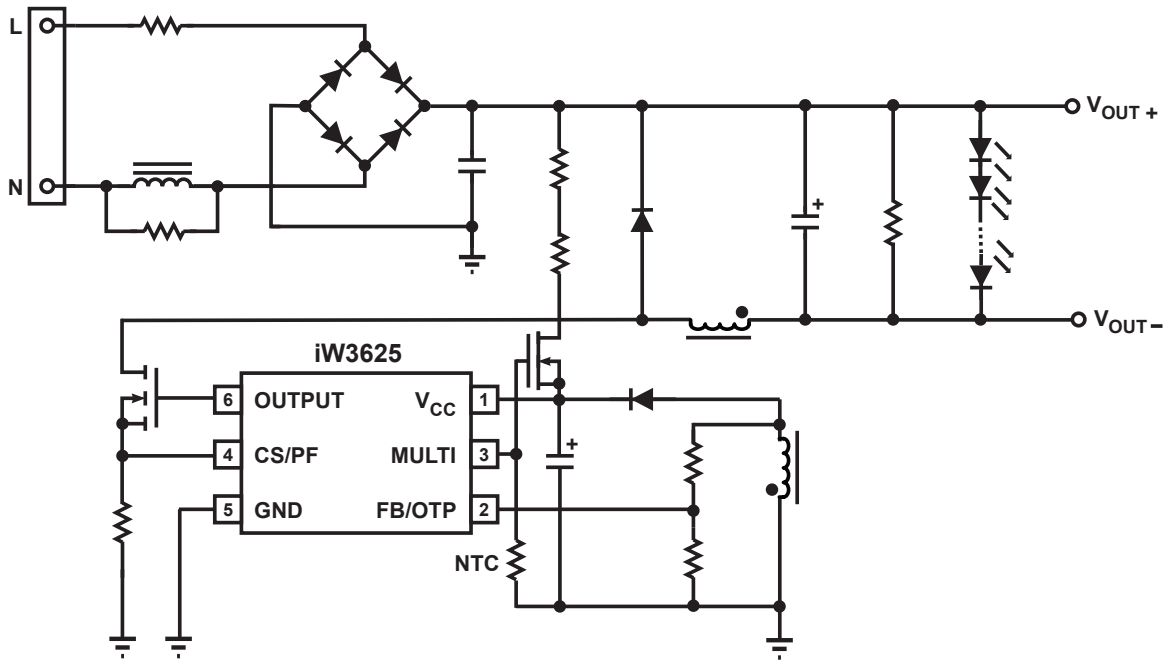


Figure 3.2 : iW3625 Typical Application Circuit (Non-Isolated Non-Floating Buck Application Using Active Start-up Device)

## Off-Line Digital Power Controller for LED Driver with High Power Factor and Low-Ripple Current

### 4 Pinout Description

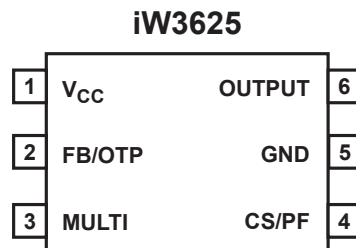


Figure 4.1 : 6-Lead SOT23 Package

Pin Number	Pin Name	Type	Pin Description
1	V <sub>CC</sub>	Power Input	Power supply for control logic and MOSFET drive.
2	FB/OTP	Analog Input	Multi-function pin. Used for internal or external OTP current derating configuration at the beginning of start-up and to provide output voltage sense for primary regulation during normal operation.
3	MULTI	Output	Multi-function pin. Used to control active start-up device and for external temperature sensing via an NTC resistor.
4	CS/PF	Analog Input	Multi-function pin. Used for PF configuration at the beginning of start-up and to provide primary current sense for cycle-by-cycle peak current control and limit during normal operation.
5	GND	Ground	Ground.
6	OUTPUT	Output	Gate drive for external MOSFET switch.

## Off-Line Digital Power Controller for LED Driver with High Power Factor and Low-Ripple Current

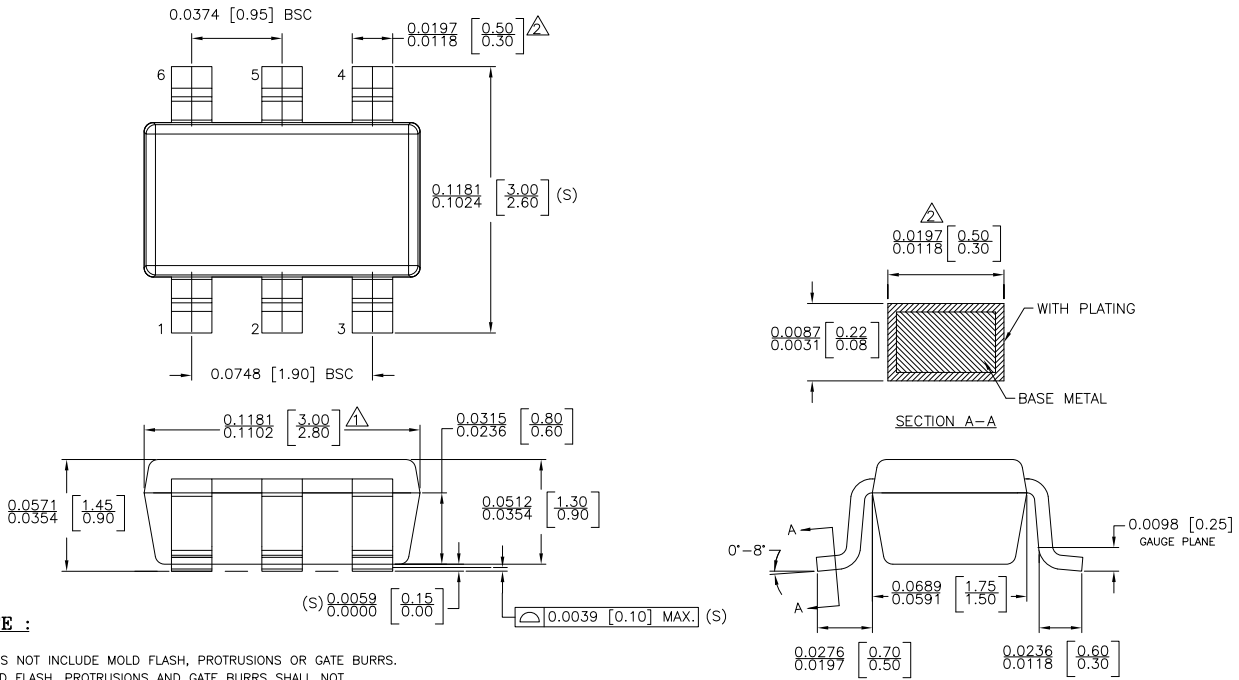
### 5 Absolute Maximum Ratings

Absolute maximum ratings are the parameter values or ranges which can cause permanent damage if exceeded. For maximum safe operating conditions, refer to Electrical Characteristics in Section 6.

Parameter	Symbol	Value	Units
DC supply voltage range (pin 1, $I_{CC} = 20\text{mA max}$ )	$V_{CC}$	-0.3 to 18.0	V
Continuous DC supply current at $V_{CC}$ pin ( $V_{CC} = 15\text{V}$ )	$I_{CC}$	20	mA
MULTI (pin 3)		-0.3 to 18.0	V
OUTPUT (pin 6)		-0.3 to 18.0	V
FB/OTP input (pin 2, $I_{FB/OTP} \leq 10\text{mA}$ )		-0.7 to 4.0	V
CS/PF input (pin 4)		-0.3 to 4.0	V
Maximum junction temperature	$T_{JMAX}$	150	°C
Operating junction temperature	$T_{JOPT}$	-40 to 150	°C
Storage temperature	$T_{STG}$	-65 to 150	°C
Thermal resistance junction-to-ambient	$\theta_{JA}$	190	°C/W
ESD rating per JEDEC JS-001-2017		$\pm 2,000$	V
Latch-up test per JESD78E		$\pm 100$	mA

Off-Line Digital Power Controller for LED Driver with High Power Factor and Low-Ripple Current

6 Physical Dimensions

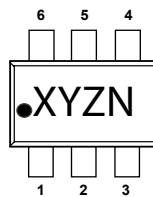


NOTE :

- △ DOES NOT INCLUDE MOLD FLASH, PROTRUSIONS OR GATE BURRS. MOLD FLASH, PROTRUSIONS AND GATE BURRS SHALL NOT EXCEED 0.127 MM PER SIDE.
- △ DOES NOT INCLUDE INTER-LEAD FLASH OR PROTRUSIONS. INTER-LEAD FLASH AND PROTRUSIONS SHALL NOT EXCEED 0.127 MM PER SIDE.
- 3. DIE IS FACING UP FOR MOLD. DIE IS FACING DOWN FOR TRIM/FORM.
- 4. THIS PART IS COMPLIANT WITH EIAJ SPECIFICATION SC74A AND JEDEC SPECIFICATION MO-178AB.
- 5. LEAD SPAN/STAND OFF HEIGHT/COPLANARITY ARE CONSIDERED AS SPECIAL CHARACTERISTIC.(S)
- 6. CONTROLLING DIMENSIONS IN INCHES. [mm]

STATUS: RELEASED	SCALE: DO NOT SCALE
TERMINAL FINISH: 100% Sn or NiPdAu (PPF)	
TITLE: 6 SOT23 PACKAGE OUTLINE	
REV: A	REVISION NOTE: NEW DRAWING
DATE: 02-MAR-2015	

SOT23-6 devices are marked with a 4-digit code. Orientation of Pin 1 is shown below:



7 Ordering Information

Part Number	Description	Package	Description
iW3625-00	Internal OTP derating, 72kHz switching frequency	SOT-23	Tape & Reel <sup>1</sup>
iW3625-01	NTC OTP derating, 72kHz switching frequency	SOT-23	Tape & Reel <sup>1</sup>

Note 1: Tape & Reel packing quantity is 3,000/reel. Minimum packing quantity is 3,000.

## Off-Line Digital Power Controller for LED Driver with High Power Factor and Low-Ripple Current

### IMPORTANT NOTICE AND DISCLAIMER

RENESAS ELECTRONICS CORPORATION AND ITS SUBSIDIARIES (“RENESAS”) PROVIDES TECHNICAL SPECIFICATIONS AND RELIABILITY DATA (INCLUDING DATASHEETS), DESIGN RESOURCES (INCLUDING REFERENCE DESIGNS), APPLICATION OR OTHER DESIGN ADVICE, WEB TOOLS, SAFETY INFORMATION, AND OTHER RESOURCES “AS IS” AND WITH ALL FAULTS, AND DISCLAIMS ALL WARRANTIES, EXPRESS OR IMPLIED, INCLUDING, WITHOUT LIMITATION, ANY IMPLIED WARRANTIES OF MERCHANTABILITY, FITNESS FOR A PARTICULAR PURPOSE, OR NON-INFRINGEMENT OF THIRD PARTY INTELLECTUAL PROPERTY RIGHTS.

These resources are intended for developers skilled in the art designing with Renesas products. You are solely responsible for (1) selecting the appropriate products for your application, (2) designing, validating, and testing your application, and (3) ensuring your application meets applicable standards, and any other safety, security, or other requirements. These resources are subject to change without notice. Renesas grants you permission to use these resources only for development of an application that uses Renesas products. Other reproduction or use of these resources is strictly prohibited. No license is granted to any other Renesas intellectual property or to any third party intellectual property. Renesas disclaims responsibility for, and you will fully indemnify Renesas and its representatives against, any claims, damages, costs, losses, or liabilities arising out of your use of these resources. Renesas’ products are provided only subject to Renesas’ Terms and Conditions of Sale or other applicable terms agreed to in writing. No use of any Renesas resources expands or otherwise alters any applicable warranties or warranty disclaimers for these products.

© 2022 Renesas Electronics Corporation. All rights reserved.

### RoHS Compliance

Dialog Semiconductor’s suppliers certify that its products are in compliance with the requirements of Directive 2011/65/EU of the European Parliament on the restriction of the use of certain hazardous substances in electrical and electronic equipment. RoHS certificates from our suppliers are available on request.

(Rev.1.0 Mar 2020)

### Corporate Headquarters

TOYOSU FORESIA, 3-2-24 Toyosu  
Koto-ku, Tokyo 135-0061, Japan  
[www.renesas.com](http://www.renesas.com)

### Contact Information

For further information on a product, technology, the most up-to-date version of a document, or your nearest sales office, please visit:  
[www.renesas.com/contact/](http://www.renesas.com/contact/)

### Trademarks

Renesas and the Renesas logo are trademarks of Renesas Electronics Corporation. All trademarks and registered trademarks are the property of their respective owners.