



# ISLA214P50IR72EV1Z Schematics

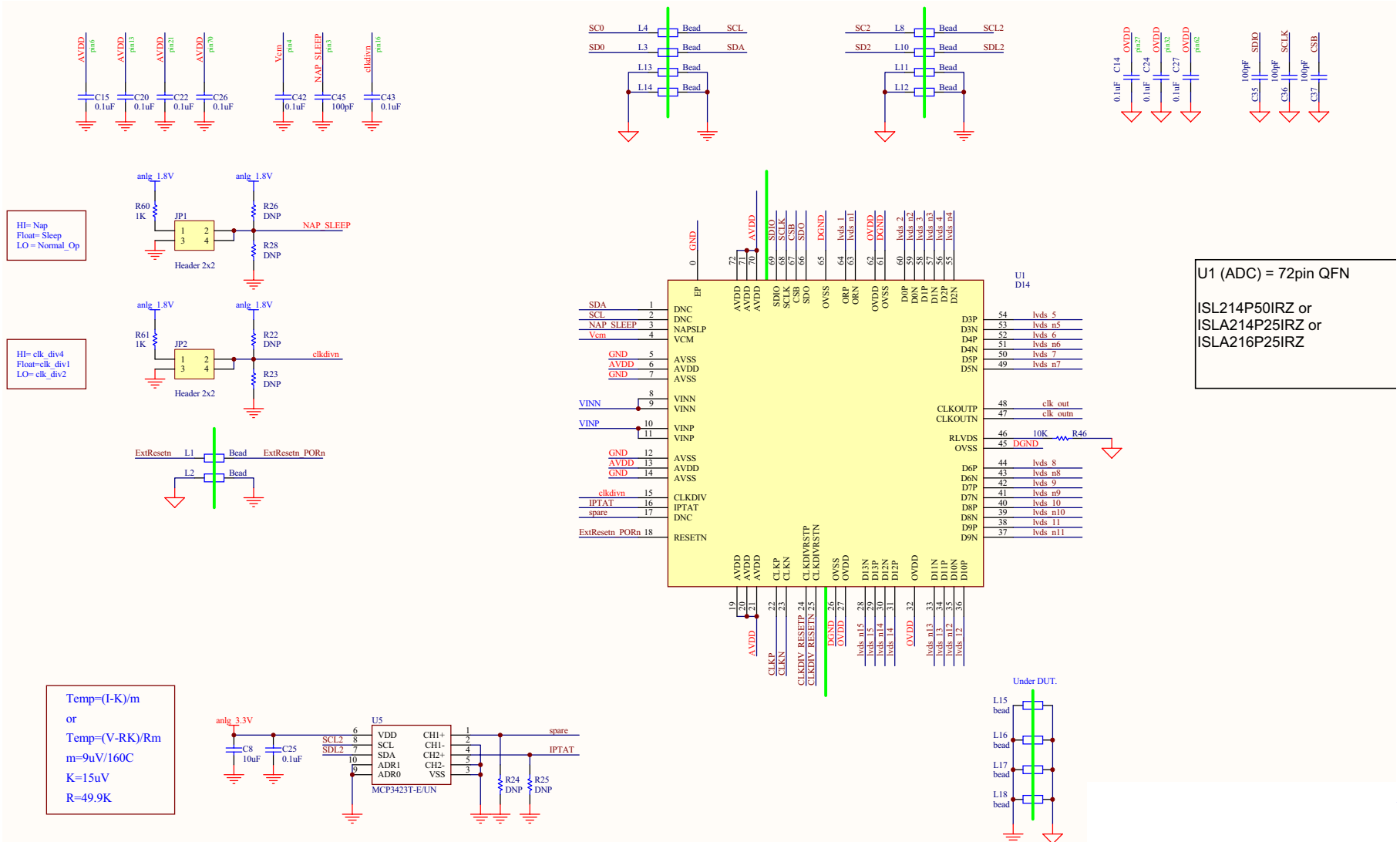
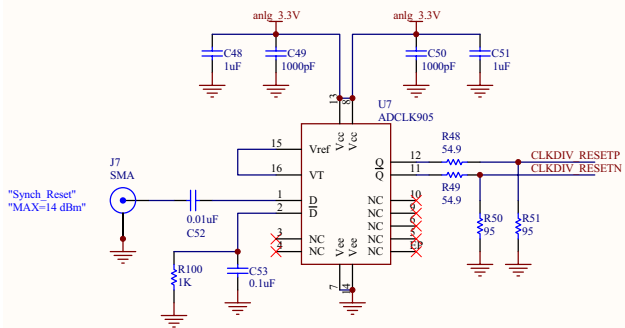
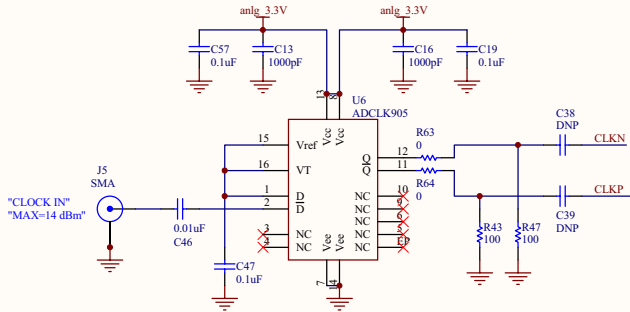
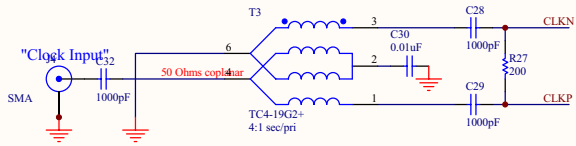


FIGURE 1. ADC

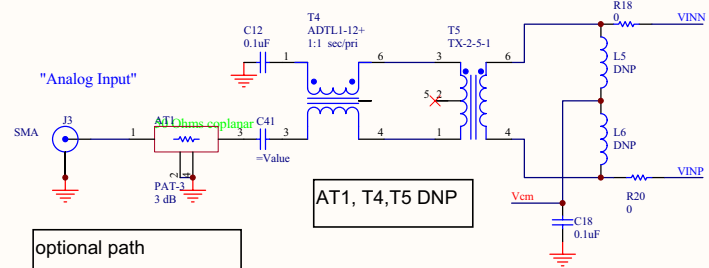
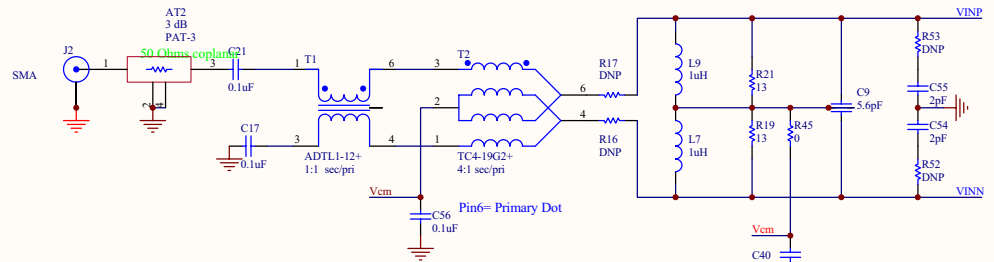
# ISLA214P50IR72EV1Z Schematics (Continued)

Sampling Clock      Populate      Depopulate

LVC MOS	C28, C29	C38, C39
LVDS	C38, C39	C28, C29



R100 was added to rev B pcb  
 Rev B pcb also Cut trace at C53



optional path

AT1, T4, T5 DNP

FIGURE 2. ANALOG FRONT END, CLOCK, SYNC RESET



















