

To our customers,

Old Company Name in Catalogs and Other Documents

On April 1st, 2010, NEC Electronics Corporation merged with Renesas Technology Corporation, and Renesas Electronics Corporation took over all the business of both companies. Therefore, although the old company name remains in this document, it is a valid Renesas Electronics document. We appreciate your understanding.

Renesas Electronics website: <http://www.renesas.com>

April 1st, 2010
Renesas Electronics Corporation

Issued by: Renesas Electronics Corporation (<http://www.renesas.com>)

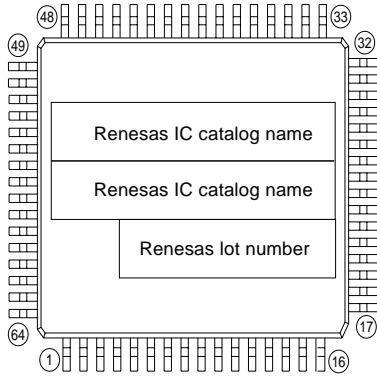
Send any inquiries to <http://www.renesas.com/inquiry>.

64P6U (64-PIN LQFP) MARK SPECIFICATION FORM

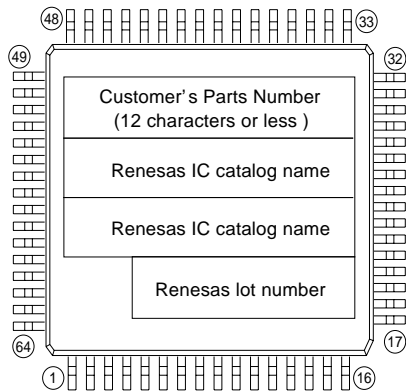
Renesas IC catalog name

Please choose one of the marking types below (A, B, C), and enter the Renesas IC catalog name and the special mark (if needed).

A. Standard Renesas Mark



B. Customer's Parts Number + Renesas IC catalog name



Customer's Parts Number Boxes

(The fonts and size of characters are standard Renesas type.)

--	--	--	--	--	--	--	--	--	--	--	--	--	--	--	--

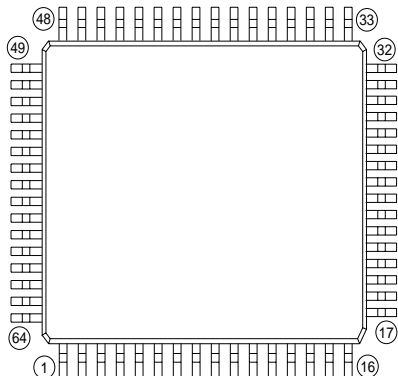
Note 3 : Customer's parts number can be up to 12 characters:

Only 0 ~ 9, A ~ Z, +, -, /, (,), &, ©, _ (period), and ,(comma) are usable.

Note 1 : The mark field should be written right aligned.

Note 2 : The fonts and size of characters are standard Renesas type. (The character size becomes smaller than type A(standard Renesas mark))

C. Special Mark Required



Note 1 : If the special mark is to be printed, indicate the desired layout of the mark in the left figure. The layout will be duplicated as close as possible. Renesas lot number and mask ROM number (3-digit) are always marked.

2 : If the customer's trade mark logo must be used as the special mark, check the box below. Please submit a clear original of the logo. For the new special character fonts, a clear font original (ideally logo drawing) must be submitted.

Special logo required

The standard Renesas font is used for all characters except for a logo.