

Renesas Starter Kit for RL78/G14

CPU Board Schematics

REV	REF	DATE	DRAWN BY
1.00	Release Trac #2252	20.12.2011	YOI

PAGE	DESCRIPTION
1	INDEX
2	RL78/G14(100pin) Microcontroller
3	PSU, Reset, Switches, LEDs
4	E1 Emulator, Serial Port
5	Application Headers, MCU Pin Function Select, Debug LCD
6	Microcontroller Pin Headers
7	LIN

Note:

R : Fixed Resistor
RV : Potentiometer
U : Integrated Circuit
X : Crystal
RES : Reset Switch
SW : Switch
LED : Light Emitting Diode
PWR : Power Jack
J : Connector, Jumper

* "DNF" marking means that component does not fit by default.

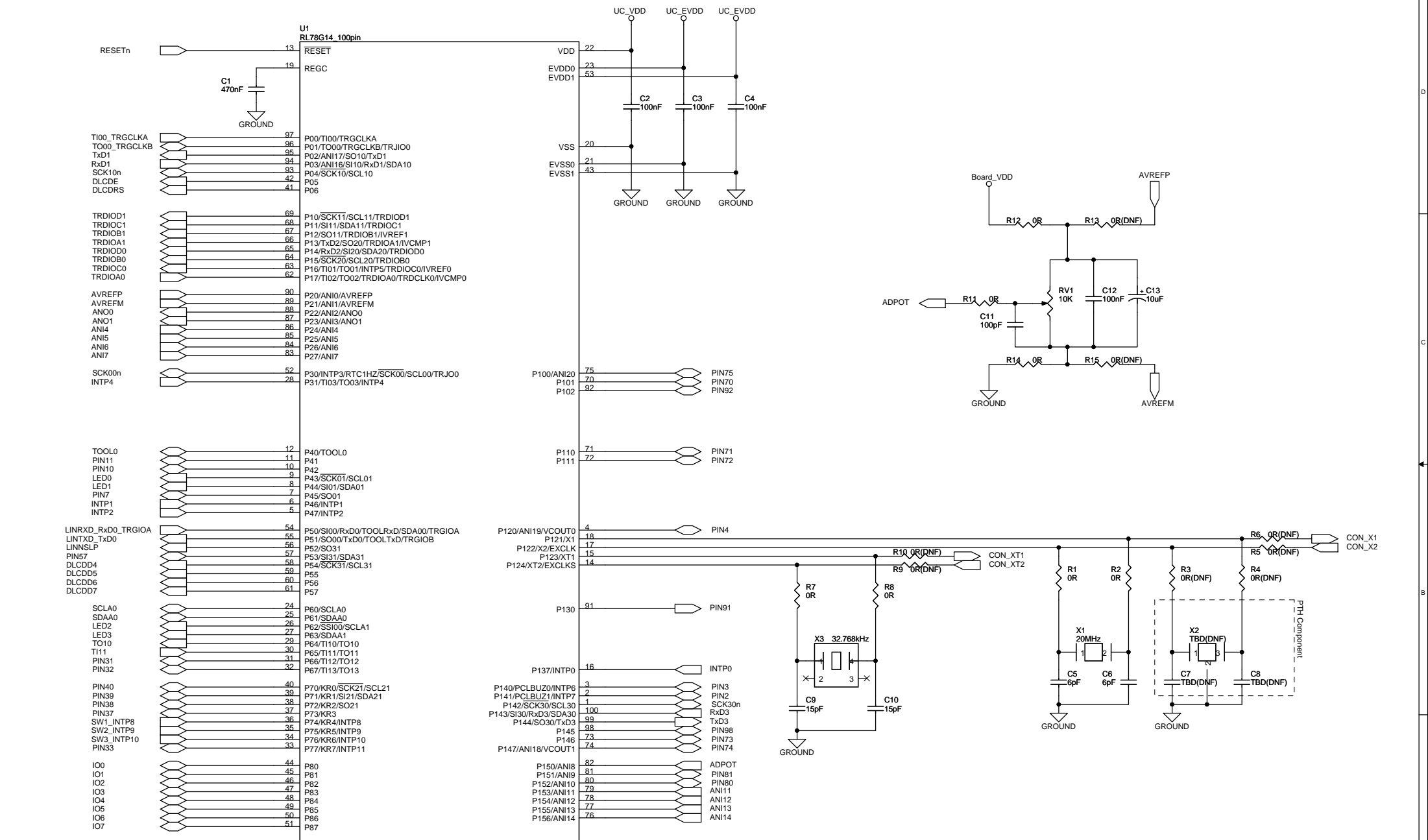
Board Variation:

R0K50104PC000BE : Release version Board

REEL Drawing No. D010712_04

Renesas Solutions Corp.			
Title			
RSKRL78G14 [INDEX]			
Size	Document Number		Rev
	R20UT0784EG0100		1.00
Date:	Tuesday, December 20, 2011	Sheet	1 of 7

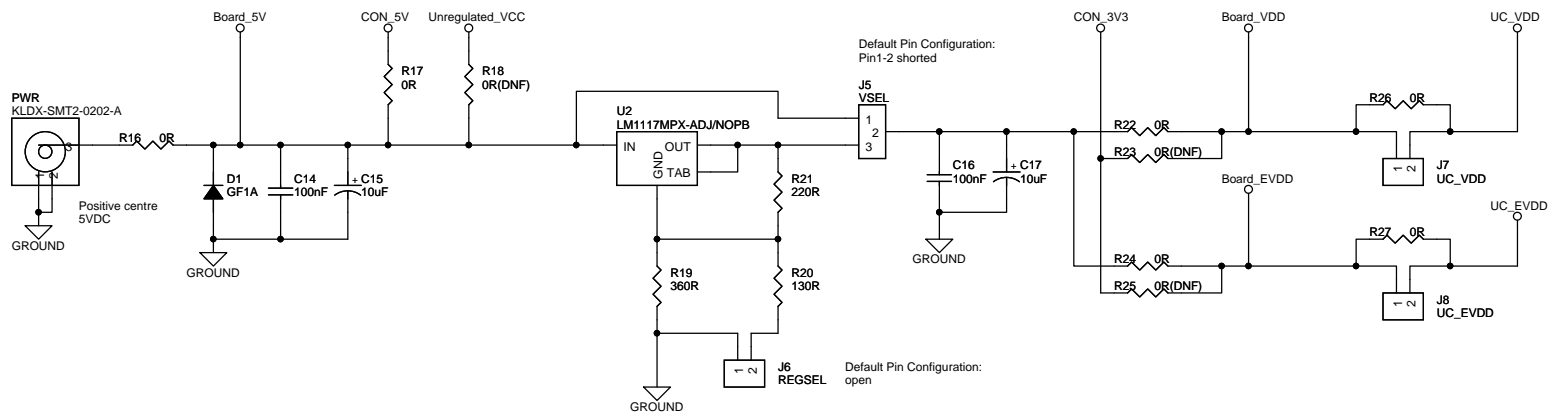
RL78/G14(100Pin) Microcontroller



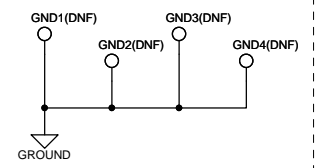
VDD = UC_VDD
 EVDD0 = UC_EVDD
 EVDD1 = UC_EVDD
 VSS = GROUND
 EVSS0 = GROUND
 EVSS1 = GROUND

Renesas Solutions Corp.		
Title	RSKRL78G14 [Micon]	
Size	Document Number R20UT0784EG0100	Rev 1.00
Date:	Tuesday, December 20, 2011	Sheet 2 of 7

Power Supply Unit



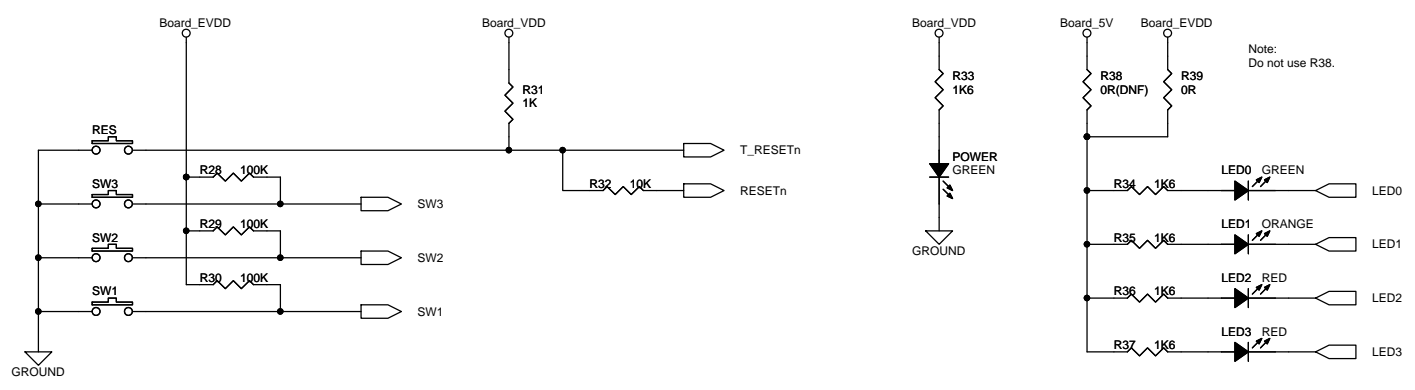
Ground Test Point



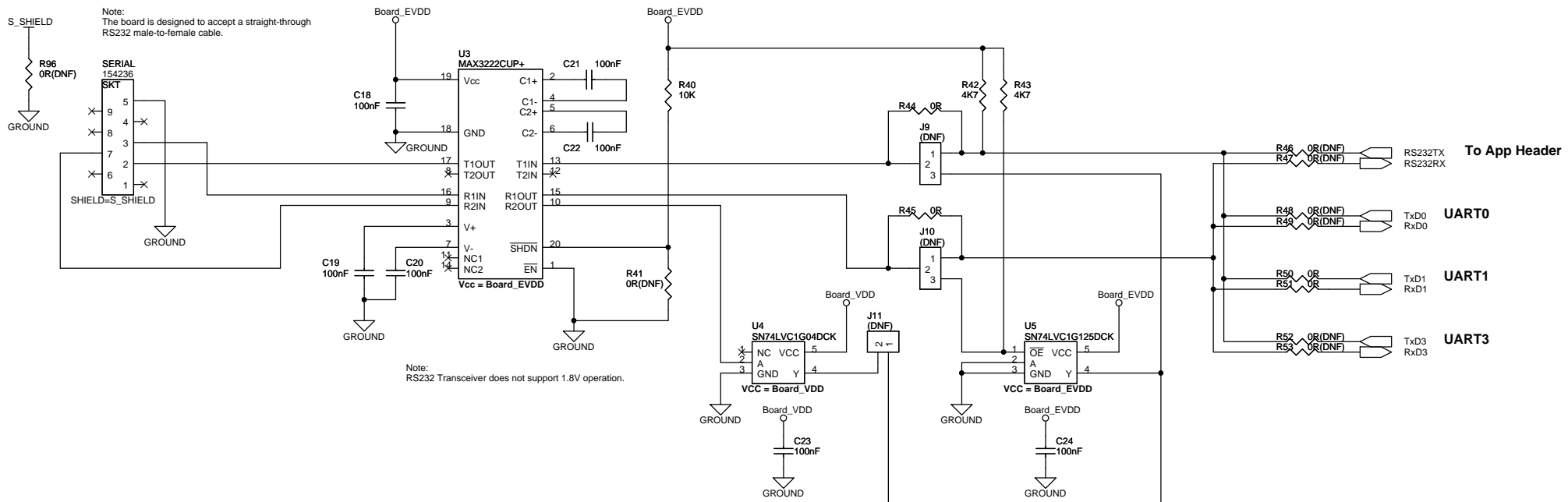
Power Supply Configuration

J5	J6	5V Supply Source	3V3 Supply Source	Board_5V	Board_VDD & Board_EVDD
Pin1-2 shorted	Don't care	E1(5V)/PWR Connector/CON_5V	Not Connected	5V	5V
Pin2-3 shorted	open	PWR Connector/CON_5V	Not Connected	5V	3V3
Pin2-3 shorted	shorted	PWR Connector/CON_5V	Not Connected	5V	1V8
All open	Don't care	PWR Connector/CON_5V	E1(3V3)/CON_3V3	5V	3V3
All open	Don't care	Not Connected	E1(3V3)/CON_3V3	0V	3V3

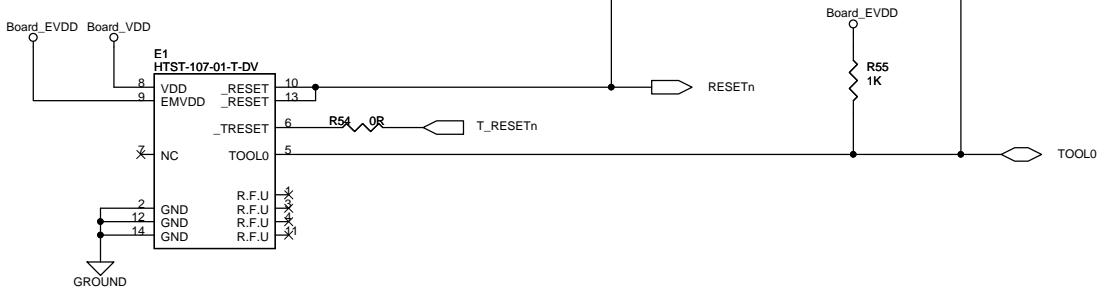
Switches, Reset, LEDs



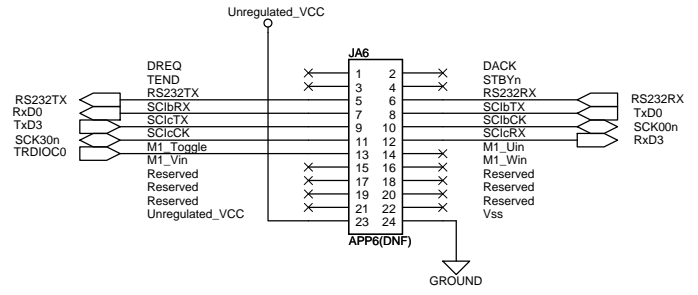
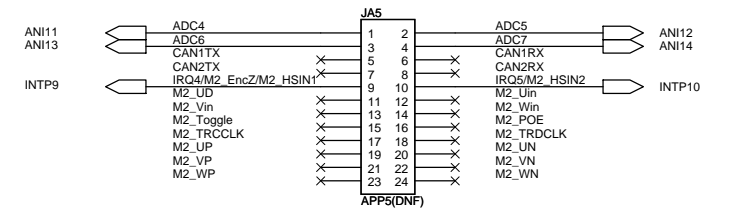
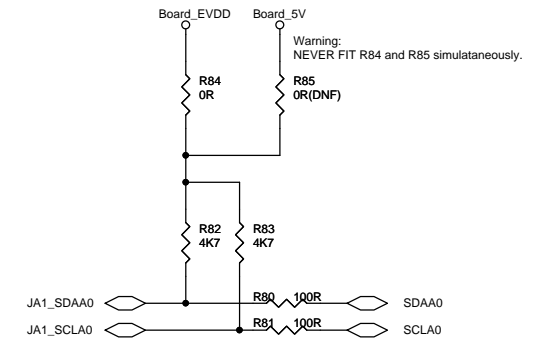
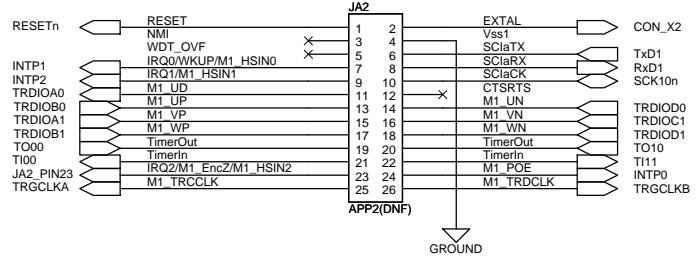
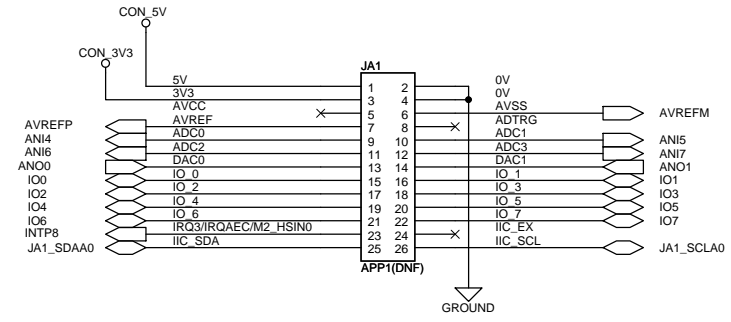
Serial Port



E1 Emulator Interface

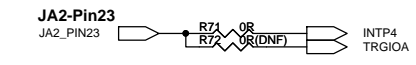
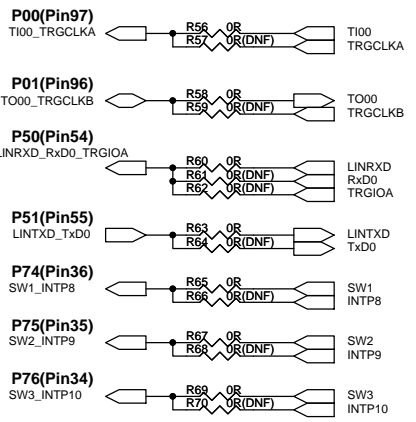


Application Headers

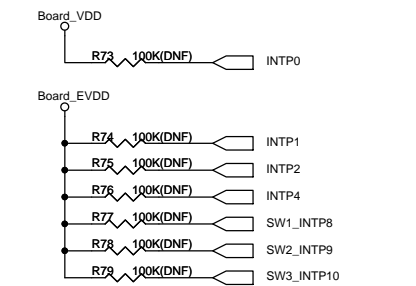


MCU Pin Function Select

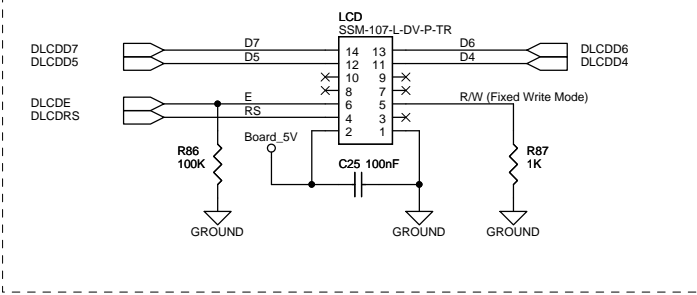
Application Header Function Select



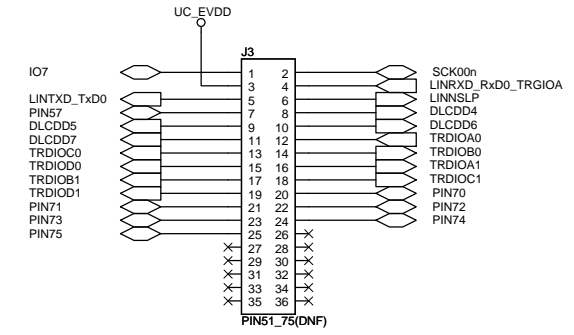
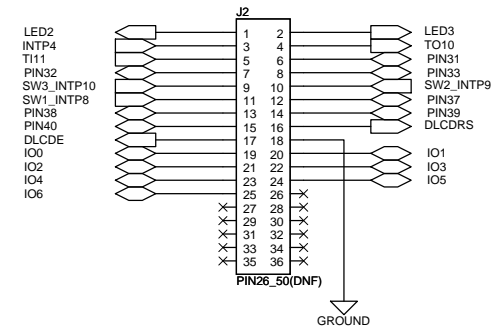
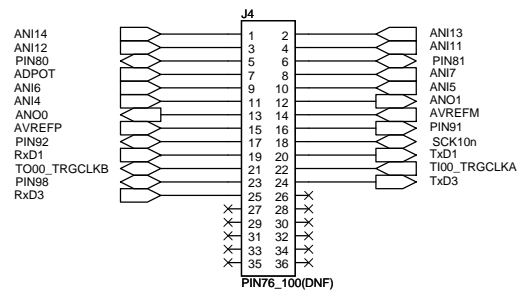
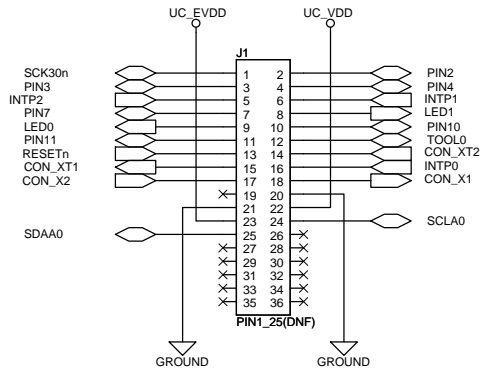
Option pull-up resistor

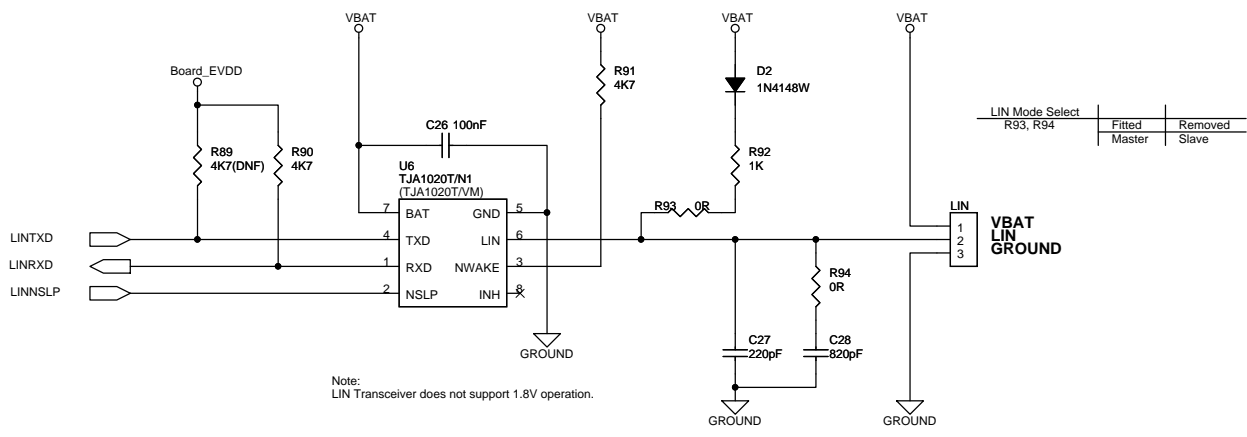


Debug LCD

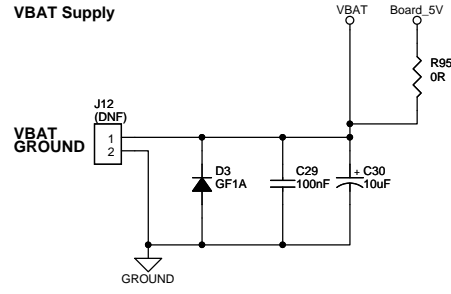


Microcontroller Pin Headers





VBAT Supply



Warning:
As for default setting, Board_5V is supplied to VBAT via R95.
When external power is supplied to VBAT, please be sure to remove R95.