

RA4M2 Group

Evaluation Kit for RA4M2 Microcontroller Group
EK-RA4M2 v1
User's Manual

Renesas RA Family
RA4 Series

All information contained in these materials, including products and product specifications, represents information on the product at the time of publication and is subject to change by Renesas Electronics Corp. without notice. Please review the latest information published by Renesas Electronics Corp. through various means, including the Renesas Electronics Corp. website (<http://www.renesas.com>).

Notice

1. Descriptions of circuits, software and other related information in this document are provided only to illustrate the operation of semiconductor products and application examples. You are fully responsible for the incorporation or any other use of the circuits, software, and information in the design of your product or system. Renesas Electronics disclaims any and all liability for any losses and damages incurred by you or third parties arising from the use of these circuits, software, or information.
 2. Renesas Electronics hereby expressly disclaims any warranties against and liability for infringement or any other claims involving patents, copyrights, or other intellectual property rights of third parties, by or arising from the use of Renesas Electronics products or technical information described in this document, including but not limited to, the product data, drawings, charts, programs, algorithms, and application examples.
 3. No license, express, implied or otherwise, is granted hereby under any patents, copyrights or other intellectual property rights of Renesas Electronics or others.
 4. You shall not alter, modify, copy, or reverse engineer any Renesas Electronics product, whether in whole or in part. Renesas Electronics disclaims any and all liability for any losses or damages incurred by you or third parties arising from such alteration, modification, copying or reverse engineering.
 5. Renesas Electronics products are classified according to the following two quality grades: "Standard" and "High Quality". The intended applications for each Renesas Electronics product depends on the product's quality grade, as indicated below.
 - "Standard": Computers; office equipment; communications equipment; test and measurement equipment; audio and visual equipment; home electronic appliances; machine tools; personal electronic equipment; industrial robots; etc.
 - "High Quality": Transportation equipment (automobiles, trains, ships, etc.); traffic control (traffic lights); large-scale communication equipment; key financial terminal systems; safety control equipment; etc.
- Unless expressly designated as a high reliability product or a product for harsh environments in a Renesas Electronics data sheet or other Renesas Electronics document, Renesas Electronics products are not intended or authorized for use in products or systems that may pose a direct threat to human life or bodily injury (artificial life support devices or systems; surgical implantations; etc.), or may cause serious property damage (space system; undersea repeaters; nuclear power control systems; aircraft control systems; key plant systems; military equipment; etc.). Renesas Electronics disclaims any and all liability for any damages or losses incurred by you or any third parties arising from the use of any Renesas Electronics product that is inconsistent with any Renesas Electronics data sheet, user's manual or other Renesas Electronics document.
6. When using Renesas Electronics products, refer to the latest product information (data sheets, user's manuals, application notes, "General Notes for Handling and Using Semiconductor Devices" in the reliability handbook, etc.), and ensure that usage conditions are within the ranges specified by Renesas Electronics with respect to maximum ratings, operating power supply voltage range, heat dissipation characteristics, installation, etc. Renesas Electronics disclaims any and all liability for any malfunctions, failure or accident arising out of the use of Renesas Electronics products outside of such specified ranges.
 7. Although Renesas Electronics endeavors to improve the quality and reliability of Renesas Electronics products, semiconductor products have specific characteristics, such as the occurrence of failure at a certain rate and malfunctions under certain use conditions. Unless designated as a high reliability product or a product for harsh environments in a Renesas Electronics data sheet or other Renesas Electronics document, Renesas Electronics products are not subject to radiation resistance design. You are responsible for implementing safety measures to guard against the possibility of bodily injury, injury or damage caused by fire, and/or danger to the public in the event of a failure or malfunction of Renesas Electronics products, such as safety design for hardware and software, including but not limited to redundancy, fire control and malfunction prevention, appropriate treatment for aging degradation or any other appropriate measures. Because the evaluation of microcomputer software alone is very difficult and impractical, you are responsible for evaluating the safety of the final products or systems manufactured by you.
 8. Please contact a Renesas Electronics sales office for details as to environmental matters such as the environmental compatibility of each Renesas Electronics product. You are responsible for carefully and sufficiently investigating applicable laws and regulations that regulate the inclusion or use of controlled substances, including without limitation, the EU RoHS Directive, and using Renesas Electronics products in compliance with all these applicable laws and regulations. Renesas Electronics disclaims any and all liability for damages or losses occurring as a result of your noncompliance with applicable laws and regulations.
 9. Renesas Electronics products and technologies shall not be used for or incorporated into any products or systems whose manufacture, use, or sale is prohibited under any applicable domestic or foreign laws or regulations. You shall comply with any applicable export control laws and regulations promulgated and administered by the governments of any countries asserting jurisdiction over the parties or transactions.
 10. It is the responsibility of the buyer or distributor of Renesas Electronics products, or any other party who distributes, disposes of, or otherwise sells or transfers the product to a third party, to notify such third party in advance of the contents and conditions set forth in this document.
 11. This document shall not be reprinted, reproduced or duplicated in any form, in whole or in part, without prior written consent of Renesas Electronics.
 12. Please contact a Renesas Electronics sales office if you have any questions regarding the information contained in this document or Renesas Electronics products.

(Note1) "Renesas Electronics" as used in this document means Renesas Electronics Corporation and also includes its directly or indirectly controlled subsidiaries.

(Note2) "Renesas Electronics product(s)" means any product developed or manufactured by or for Renesas Electronics.

(Rev.4.0-1 November 2017)

Corporate Headquarters

TOYOSU FORESIA, 3-2-24 Toyosu,
Koto-ku, Tokyo 135-0061, Japan
www.renesas.com

Trademarks

Renesas and the Renesas logo are trademarks of Renesas Electronics Corporation. All trademarks and registered trademarks are the property of their respective owners.

Contact information

For further information on a product, technology, the most up-to-date version of a document, or your nearest sales office, please visit:
www.renesas.com/contact/

General Precautions in the Handling of Microprocessing Unit and Microcontroller Unit Products

The following usage notes are applicable to all Microprocessing unit and Microcontroller unit products from Renesas. For detailed usage notes on the products covered by this document, refer to the relevant sections of the document as well as any technical updates that have been issued for the products.

1. Precaution against Electrostatic Discharge (ESD)

A strong electrical field, when exposed to a CMOS device, can cause destruction of the gate oxide and ultimately degrade the device operation. Steps must be taken to stop the generation of static electricity as much as possible, and quickly dissipate it when it occurs. Environmental control must be adequate. When it is dry, a humidifier should be used. This is recommended to avoid using insulators that can easily build up static electricity. Semiconductor devices must be stored and transported in an anti-static container, static shielding bag or conductive material. All test and measurement tools including work benches and floors must be grounded. The operator must also be grounded using a wrist strap. Semiconductor devices must not be touched with bare hands. Similar precautions must be taken for printed circuit boards with mounted semiconductor devices.
2. Processing at power-on

The state of the product is undefined at the time when power is supplied. The states of internal circuits in the LSI are indeterminate and the states of register settings and pins are undefined at the time when power is supplied. In a finished product where the reset signal is applied to the external reset pin, the states of pins are not guaranteed from the time when power is supplied until the reset process is completed. In a similar way, the states of pins in a product that is reset by an on-chip power-on reset function are not guaranteed from the time when power is supplied until the power reaches the level at which resetting is specified.
3. Input of signal during power-off state

Do not input signals or an I/O pull-up power supply while the device is powered off. The current injection that results from input of such a signal or I/O pull-up power supply may cause malfunction and the abnormal current that passes in the device at this time may cause degradation of internal elements. Follow the guideline for input signal during power-off state as described in your product documentation.
4. Handling of unused pins

Handle unused pins in accordance with the directions given under handling of unused pins in the manual. The input pins of CMOS products are generally in the high-impedance state. In operation with an unused pin in the open-circuit state, extra electromagnetic noise is induced in the vicinity of the LSI, an associated shoot-through current flows internally, and malfunctions occur due to the false recognition of the pin state as an input signal become possible.
5. Clock signals

After applying a reset, only release the reset line after the operating clock signal becomes stable. When switching the clock signal during program execution, wait until the target clock signal is stabilized. When the clock signal is generated with an external resonator or from an external oscillator during a reset, ensure that the reset line is only released after full stabilization of the clock signal. Additionally, when switching to a clock signal produced with an external resonator or by an external oscillator while program execution is in progress, wait until the target clock signal is stable.
6. Voltage application waveform at input pin

Waveform distortion due to input noise or a reflected wave may cause malfunction. If the input of the CMOS device stays in the area between V_{IL} (Max.) and V_{IH} (Min.) due to noise, for example, the device may malfunction. Take care to prevent chattering noise from entering the device when the input level is fixed, and also in the transition period when the input level passes through the area between V_{IL} (Max.) and V_{IH} (Min.).
7. Prohibition of access to reserved addresses

Access to reserved addresses is prohibited. The reserved addresses are provided for possible future expansion of functions. Do not access these addresses as the correct operation of the LSI is not guaranteed.
8. Differences between products

Before changing from one product to another, for example to a product with a different part number, confirm that the change will not lead to problems. The characteristics of a Microprocessing unit or microcontroller unit products in the same group but having a different part number might differ in terms of internal memory capacity, layout pattern, and other factors, which can affect the ranges of electrical characteristics, such as characteristic values, operating margins, immunity to noise, and amount of radiated noise. When changing to a product with a different part number, implement a system evaluation test for the given product.

Renesas EK-RA4M2 Disclaimer

By using this EK-RA4M2, the User accepts the following terms, which are in addition to, and control in the event of disagreement, with Renesas' General Terms and Conditions available at <https://www.renesas.com/en-us/legal/disclaimer.html>.

The EK-RA4M2 is not guaranteed to be error free, and the entire risk as to the results and performance of the EK-RA4M2 is assumed by the User. The EK-RA4M2 is provided by Renesas on an "as is" basis without warranty of any kind whether express or implied, including but not limited to the implied warranties of good workmanship, fitness for a particular purpose, title, merchantability, and non-infringement of intellectual property rights. Renesas expressly disclaims any implied warranty.

Renesas does not consider the EK-RA4M2 to be a finished product and therefore the EK-RA4M2 may not comply with some requirements applicable to finished products, including, but not limited to recycling, restricted substances and electromagnetic compatibility regulations. Refer to Certifications section, for information about certifications and compliance information for the EK-RA4M2. It is the kit User's responsibility to make sure the kit meets any local requirements applicable to their region.

Renesas or its affiliates shall in no event be liable for any loss of profit, loss of data, loss of contract, loss of business, damage to reputation or goodwill, any economic loss, any reprogramming or recall costs (whether the foregoing losses are direct or indirect) nor shall Renesas or its affiliates be liable for any other direct or indirect special, incidental or consequential damages arising out of or in relation to the use of this EK-RA4M2, even if Renesas or its affiliates have been advised of the possibility of such damages.

Renesas has used reasonable care in preparing the information included in this document, but Renesas does not warrant that such information is error free nor does Renesas guarantee an exact match for every application or parameter to part numbers designated by other vendors listed herein. The information provided in this document is intended solely to enable the use of Renesas products. No express or implied license to any intellectual property right is granted by this document or in connection with the sale of Renesas products. Renesas reserves the right to make changes to specifications and product descriptions at any time without notice. Renesas assumes no liability for any damages incurred by you resulting from errors in or omissions from the information included herein. Renesas cannot verify, and assumes no liability for, the accuracy of information available on another company's website.

Precautions

This Evaluation Kit is only intended for use in a laboratory environment under ambient temperature and humidity conditions. A safe separation distance should be used between this and any sensitive equipment. Its use outside the laboratory, classroom, study area, or similar such area invalidates conformity with the protection requirements of the Electromagnetic Compatibility Directive and could lead to prosecution.

The product generates, uses, and can radiate radio frequency energy and may cause harmful interference to radio communications. There is no guarantee that interference will not occur in a particular installation. If this equipment causes harmful interference to radio or television reception, which can be determined by turning the equipment off or on, you are encouraged to try to correct the interference by one or more of the following measures:

- Ensure attached cables do not lie across the equipment.
- Reorient the receiving antenna.
- Increase the distance between the equipment and the receiver.
- Connect the equipment into an outlet on a circuit different from that which the receiver is connected.
- Power down the equipment when not in use.
- Consult the dealer or an experienced radio/TV technician for help.

Note: It is recommended that wherever possible shielded interface cables are used.

The product is potentially susceptible to certain EMC phenomena. To mitigate against them it is recommended that the following measures be undertaken:

- The user is advised that mobile phones should not be used within 10 m of the product when in use.
- The user is advised to take ESD precautions when handling the equipment.

The Evaluation Kit does not represent an ideal reference design for an end product and does not fulfil the regulatory standards for an end product.

Renesas RA Family

EK-RA4M2 v1
Contents

1. Kit Overview	4
1.1 Assumptions and Advisory Notes.....	7
2. Kit Contents	8
3. Kit Ordering Information.....	8
4. Hardware Architecture and Default Configuration	9
4.1 Kit Architecture	9
4.2 System Block Diagram	10
4.3 Jumper Settings.....	10
4.3.1 Copper Jumpers	10
4.3.2 Traditional Pin Header Jumpers.....	11
4.3.3 Default Jumper Configuration.....	11
5. System Control and Ecosystem Access Area	12
5.1 Power	13
5.1.1 Power Supply Options.....	13
5.1.2 Power Supply Considerations	13
5.1.3 Power-up Behavior	14
5.2 Debug and Trace.....	14
5.2.1 Debug On-Board	14
5.2.2 Debug In	15
5.2.3 Debug Out	17
5.3 Ecosystem	17
5.3.1 Seeed Grove® Connectors	17
5.3.2 SparkFun® Qwiic® Connector	18
5.3.3 Digilent Pmod™ Connectors	18
5.3.4 Arduino™ Connector.....	20
5.3.5 MikroElektronika™ mikroBUS Connector	22
5.4 Connectivity	22
5.4.1 USB Full Speed	22
5.5 Miscellaneous.....	23
5.5.1 User and Power LEDs.....	23
5.5.2 User and Reset Switches	24
5.5.3 MCU Boot Mode	24
6. Special Feature Access Area.....	25

6.1	Quad-SPI Flash	25
7.	MCU Native Pin Access Area	26
7.1	Breakout Pin Headers	26
7.2	MCU and USB Current Measurement.....	27
8.	Certifications.....	28
8.1	EMC/EMI Standards.....	28
8.2	Material Selection, Waste, Recycling and Disposal Standards	28
8.3	Safety Standards	28
9.	Design and Manufacturing Information	29
10.	Website and Support	29
	Revision History	30

Figures

Figure 1.	EK-RA4M2 Board Top Side	5
Figure 2.	EK-RA4M2 Board Bottom Side	6
Figure 3.	EK-RA4M2 Kit Contents.....	8
Figure 4.	EK-RA4M2 Board Functional Area Definitions.....	9
Figure 5.	EK-RA4M2 Board Block Diagram	10
Figure 6.	Copper Jumpers.....	11
Figure 7.	System Control and Ecosystem Access Area.....	12
Figure 8.	Power Supply Options.....	13
Figure 9.	EK-RA4M2 Debug Interface.....	15
Figure 10.	Seeed Grove and Qwiic Connectors	18
Figure 11.	Pmod 1	19
Figure 12.	Pmod 1 Trace Cut Jumpers	19
Figure 13.	Pmod 2	20
Figure 14.	Arduino Uno Connectors	21
Figure 15.	mikroBUS Connection	22
Figure 16.	USB Full Speed Connector	23
Figure 17.	User LEDs	23
Figure 18.	Power LED	24
Figure 19.	Reset and User Switches	24
Figure 20.	Boot Mode	24
Figure 21.	Special Feature Access Area	25
Figure 22.	Quad-SPI Flash.....	25
Figure 23.	Native Pin Access Area.....	26
Figure 24.	RA USB Current Measurement Circuit.....	27

Figure 25. RA +3.3 V Current Measurement Circuit.....	27
Figure 26. RA MCU Current Measurement	27

Tables

Table 1. Default Jumper Settings	11
Table 2. Debug Modes	14
Table 3. Jumper Connection Summary for Different Debug Modes	14
Table 4. Debug USB Connector	14
Table 5. Debug On-Board Jumper Configuration	15
Table 6. Debug In Mode Jumper Configuration	16
Table 7. JTAG/SWD/TRACE Connector	16
Table 8. JTAG/SWD Connector	16
Table 9. Debug Out Jumper Configuration.....	17
Table 10. Grove 1 Connector.....	17
Table 11. Grove 2 Connector.....	17
Table 12. Qwiic Connector.....	18
Table 13. Pmod 1 Connector	18
Table 14. Pmod 2 Connector	20
Table 15. Arduino Uno Connections	20
Table 16. mikroBUS Connections.....	22
Table 17. USB Full Speed Connector	23
Table 18. EK-RA4M2 Board LED Functions.....	23
Table 19. EK-RA4M2 Board Switches	24
Table 20. Quad-SPI Flash Port Assignments	25
Table 21. EK-RA4M2 Board Design Package Contents.....	29

1. Kit Overview

The EK-RA4M2, an Evaluation Kit for RA4M2 MCU Group, enables users to seamlessly evaluate the features of the RA4M2 MCU group and develop embedded systems applications using Flexible Software Package (FSP) and e² studio IDE. The users can utilize rich on-board features along with their choice of popular ecosystems add-ons to bring their big ideas to life.

The key features of the EK-RA4M2 board are categorized in three groups (consistent with the architecture of the kit) as follows:

MCU Native Pin Access

- R7FA4M2AD3CFP MCU (referred to as RA MCU)
- 100 MHz, Arm® Cortex®-M33 core
- 512 kB Code Flash, 128 KB SRAM
- 100 pins, LQFP package
- Native pin access through 4 x 28-pin male headers
- MCU current measurement points for precision current consumption measurement
- Multiple clock sources - RA MCU oscillator and sub-clock oscillator crystals, providing precision 24.000 MHz and 32,768 Hz reference clock. Additional low-precision clocks are available internal to the RA MCU

System Control and Ecosystem Access

- USB Full Speed Host and Device (micro AB connector)
- Three 5 V input sources
 - USB (Debug, Full Speed)
 - External power supply (using surface mount clamp test points and power input vias)
- Three Debug modes
 - Debug on-board (SWD)
 - Debug in (ETM, SWD, and JTAG)
 - Debug out (SWD)
- User LEDs and buttons
 - Three User LEDs (red, blue, green)
 - Power LED (white) indicating availability of regulated power
 - Debug LED (yellow) indicating the debug connection
 - Two User buttons
 - One Reset button
- Five most popular ecosystems expansions
 - 2 Seeed Grove® system (I2C/Analog) connectors
 - SparkFun® Qwiic® connector
 - 2 Digilent Pmod™ (SPI and UART) connectors
 - Arduino™ (Uno R3) connector
 - MikroElektronika™ mikroBUS connector
- MCU boot configuration jumper

Special Feature Access

- 32 MB (256 Mb) External Quad-SPI Flash

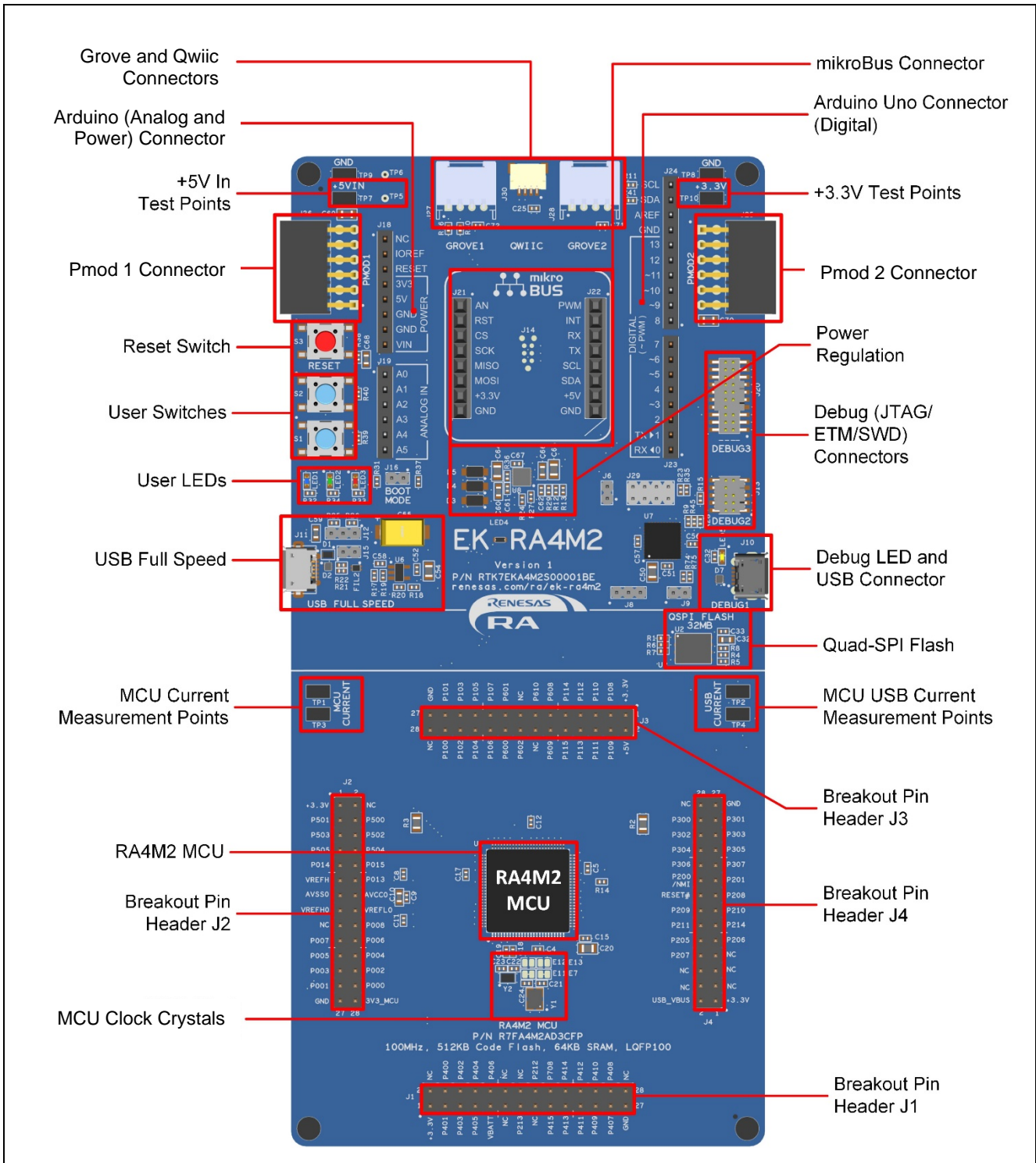


Figure 1. EK-RA4M2 Board Top Side

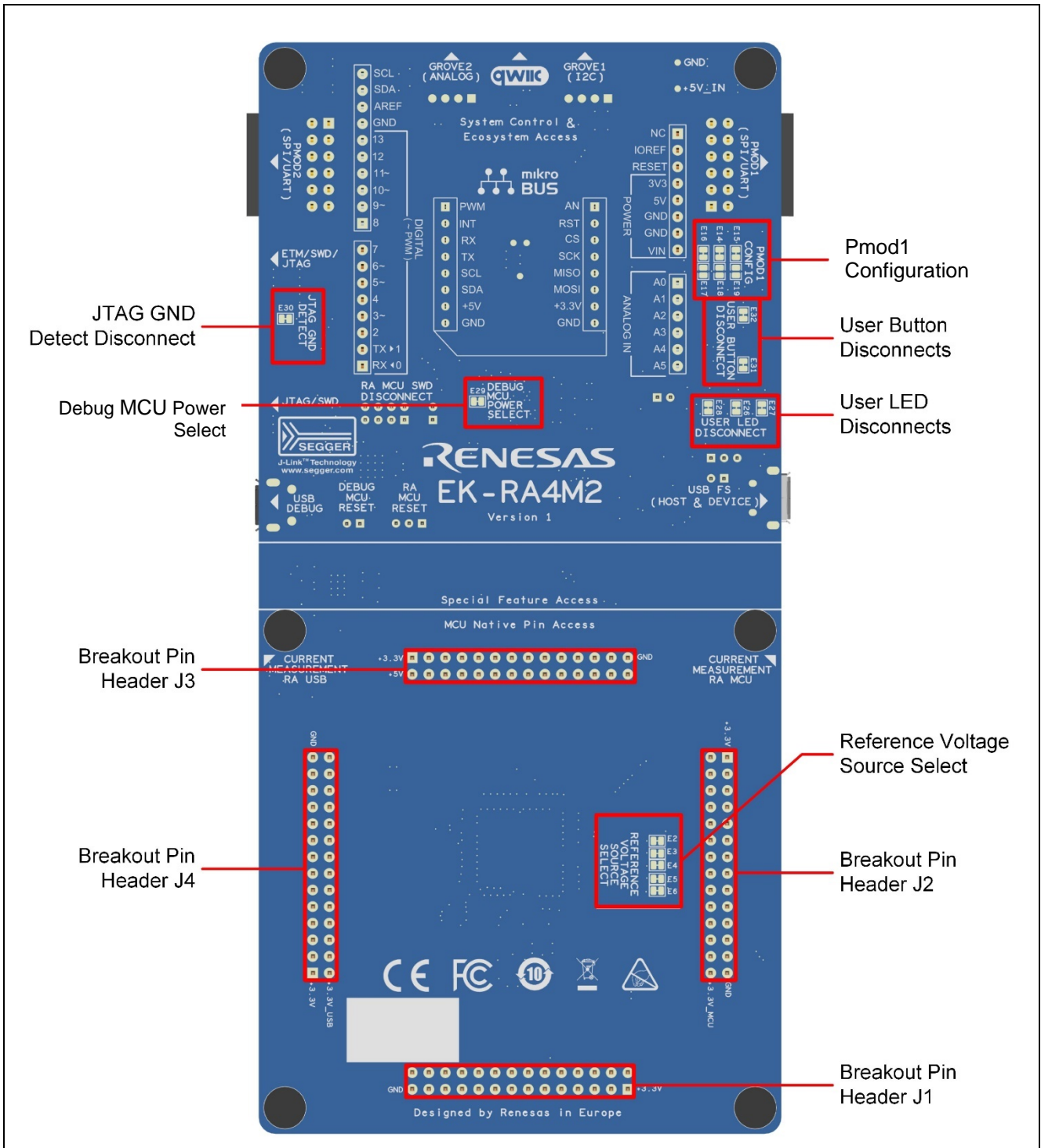


Figure 2. EK-RA4M2 Board Bottom Side

1.1 Assumptions and Advisory Notes

1. It is assumed that the user has basic understanding of microcontrollers and embedded systems hardware.
2. It is recommended that the user refers to the *EK-RA4M2 Quick Start Guide* to get acquainted with the kit and the Quick Start example project that EK-RA4M2 board comes pre-programmed with.
3. Flexible Software Package (FSP) and Integrated Development Environment (IDE) such as e² studio are required to develop embedded applications on EK-RA4M2 kit.
4. Instructions to download and install software, import example projects, build them and program the EK-RA4M2 board are provided in the quick start guide.

2. Kit Contents

The following components are included in the kit:

1. EK-RA4M2 v1 board
2. Micro USB device cable (type-A male to micro-B male)
3. Micro USB host cable (type-A female to micro-B male)

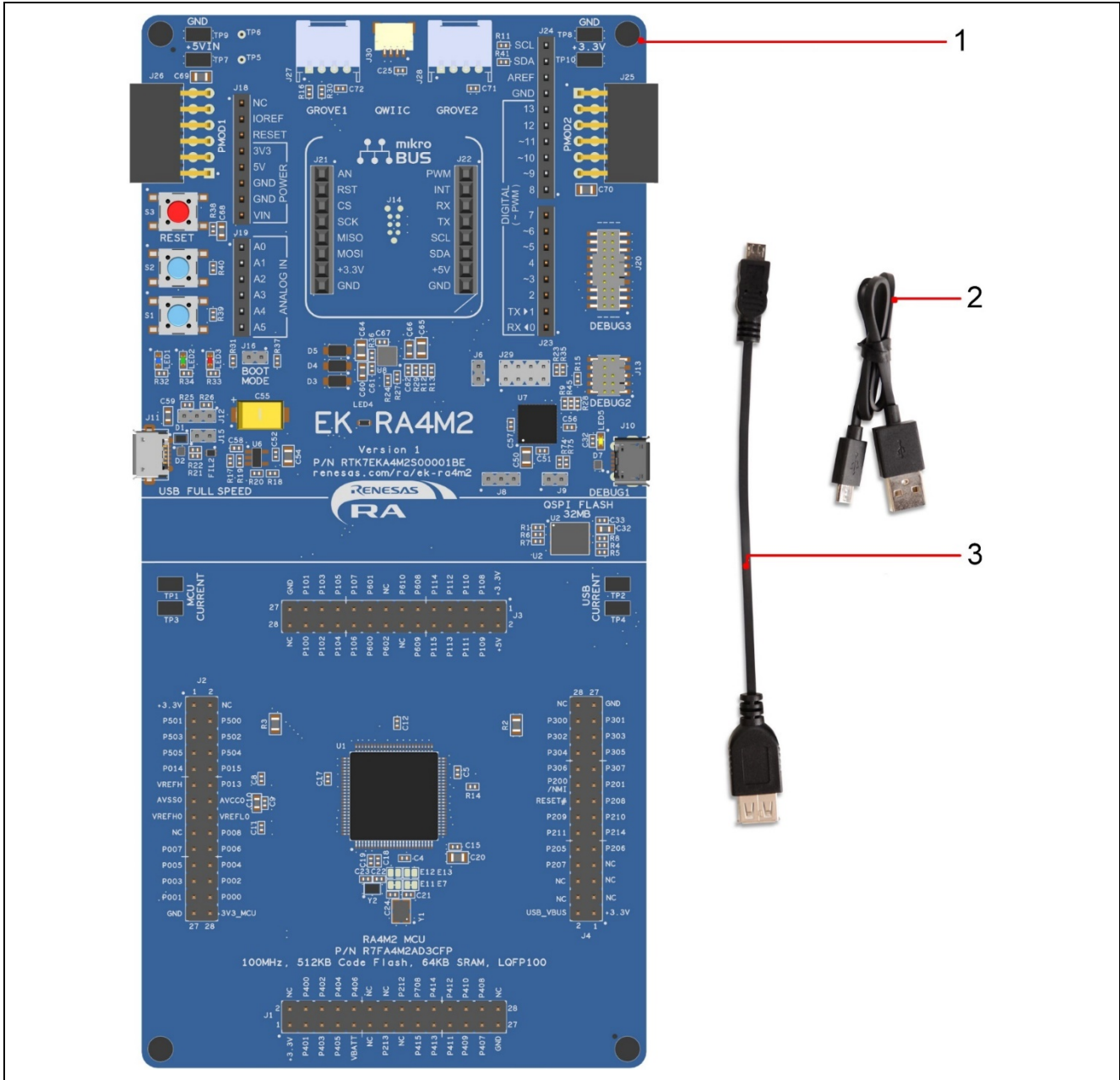


Figure 3. EK-RA4M2 Kit Contents

3. Kit Ordering Information

- EK-RA4M2 v1 kit orderable part number: RTK7EKA4M2S00001BE

Note: The underlined character in the orderable part number represents the kit version.

- EK-RA4M2 board dimensions: 80 mm (width) x 170 mm (length)

4. Hardware Architecture and Default Configuration

4.1 Kit Architecture

The EK-RA4M2 board is designed with three sections or areas to help shorten the learning curve of the users and maximize the design and knowledge reuse among similar kits. The contents of these three areas are conceptually standardized among similar kits.

Kit area	Area features	Area present on all similar kits	Functionality is:
MCU Native Pin Access Area	RA MCU, breakout pin headers for all MCU I/O and power, current measurement	Yes	MCU dependent
Special Feature Access Area	MCU special features: Quad-SPI	Optional	MCU dependent
System Control and Ecosystem Access Area	Power, Debug MCU, User LED and buttons, reset, ecosystem connectors, USB Full Speed Host and Device, Boot configuration	Yes	Same or similar across similar kits

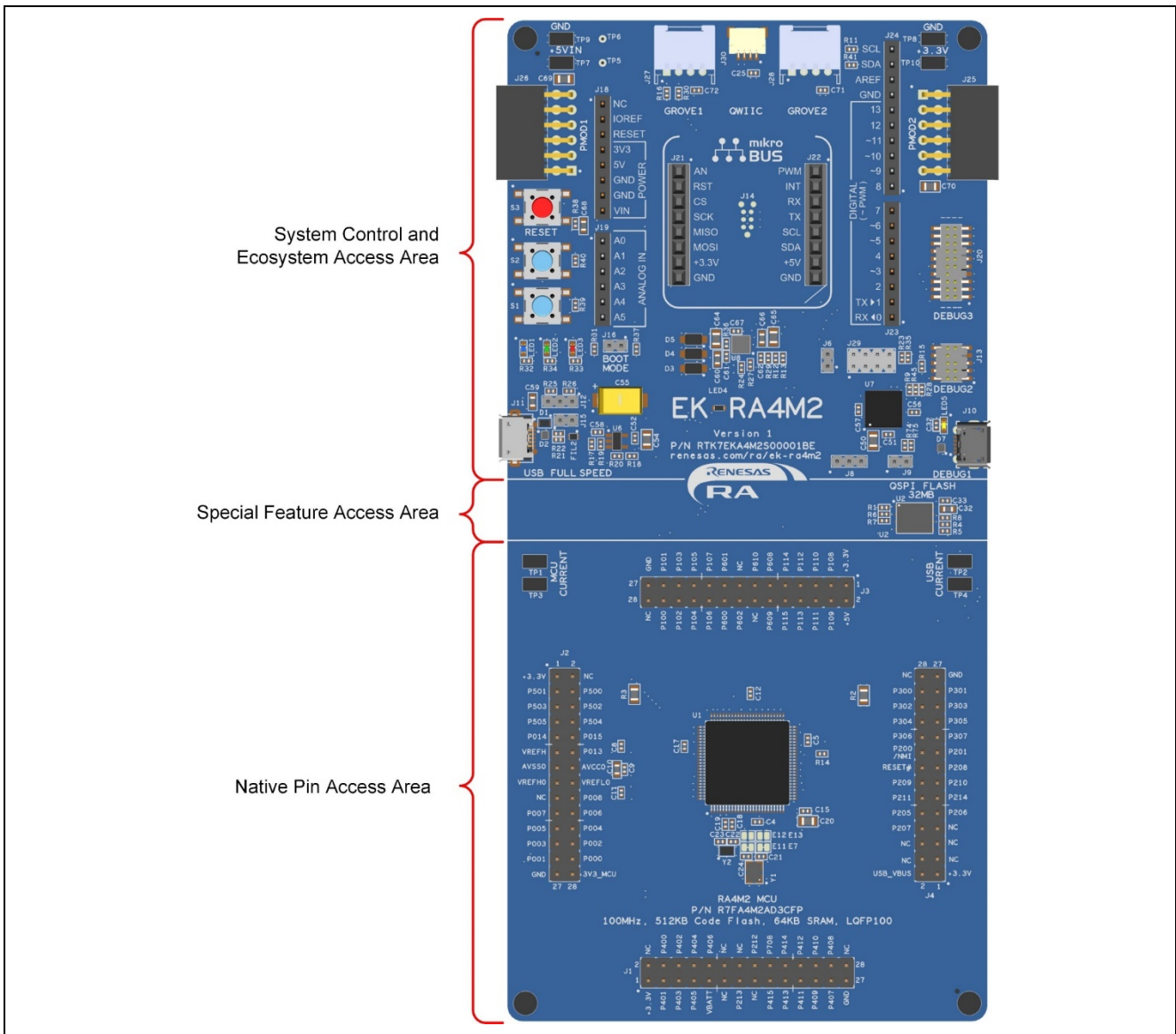


Figure 4. EK-RA4M2 Board Functional Area Definitions

4.2 System Block Diagram

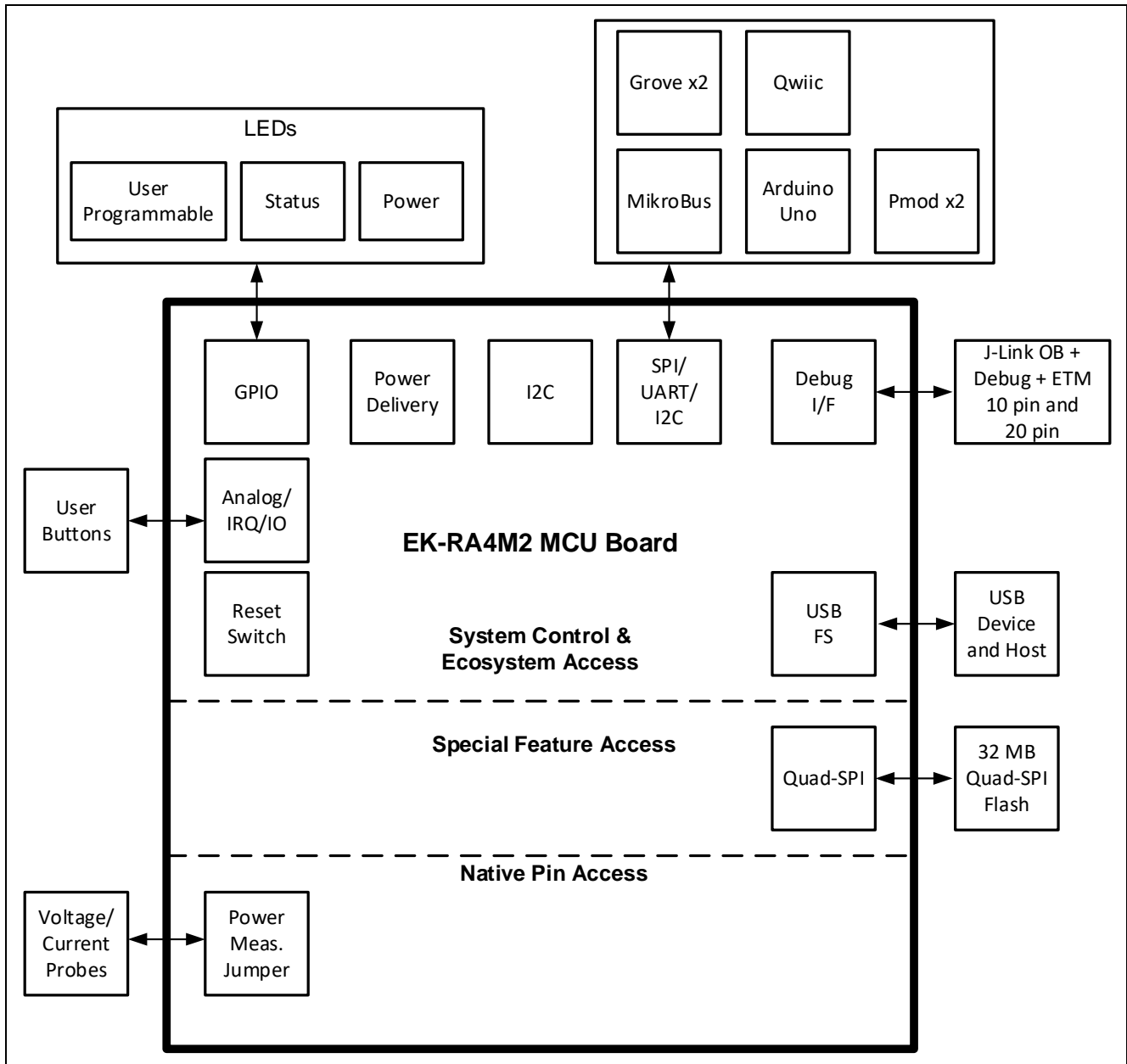


Figure 5. EK-RA4M2 Board Block Diagram

4.3 Jumper Settings

Two types of jumpers are provided on the EK-RA4M2 board.

1. Copper jumpers (trace-cut type and solder bridge type)
2. Traditional pin header jumpers

The following sections describe each type and their default configuration.

4.3.1 Copper Jumpers

Copper jumpers are of two types, designated **trace-cut** and **solder-bridge**.

A **trace-cut jumper** is provided with a narrow copper trace connecting its pads. The silk screen overlay printing around a trace-cut jumper is a solid box. To isolate the pads, cut the trace between pads adjacent to each pad, then remove the connecting copper foil either mechanically or with the assistance of heat. Once the etched copper trace is removed, the trace-cut jumper is turned into a solder-bridge jumper for any later changes.

A **solder-bridge** jumper is provided with two isolated pads that may be joined together by one of three methods:

- Solder may be applied to both pads to develop a bulge on each and the bulges joined by touching a soldering iron across the two pads.
- A small wire may be placed across the two pads and soldered in place.
- A SMT resistor, size 0805, 0603, or 0402, may be placed across the two pads and soldered in place. A zero-ohm resistor shorts the pads together.

For any copper jumper, the connection is considered **closed** if there is an electrical connection between the pads (default for trace-cut jumpers.) The connection is considered **open** if there is no electrical connection between the pads (default for the solder-bridge jumpers.)

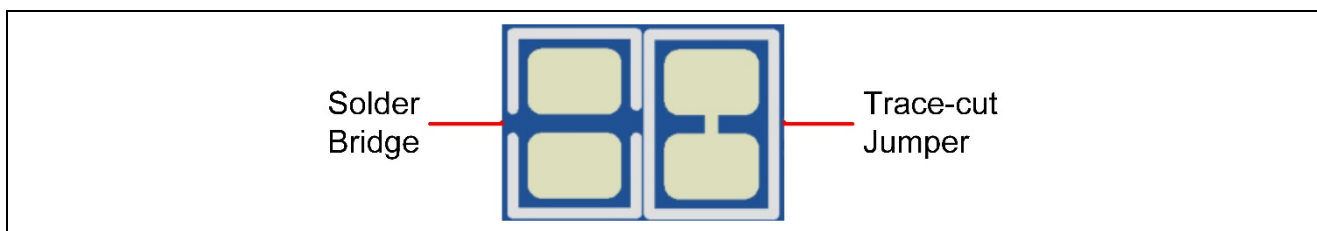


Figure 6. Copper Jumpers

4.3.2 Traditional Pin Header Jumpers

These jumpers are traditional small pitch jumpers that require an external shunt to open/close them. The traditional pin jumpers on the EK-RA4M2 board are 2 mm pitch headers and require compatible 2 mm shunt jumpers.

4.3.3 Default Jumper Configuration

The following table describes the default settings for each jumper on the EK-RA4M2 board. This includes copper jumpers (Ex designation) and traditional pin jumpers (Jx designation.)

The Circuit Group for each jumper is the designation found in the board schematic (available in the Design Package). Functional details for many of the listed jumpers may be found in sections associated with each functional area of the kits.

Table 1. Default Jumper Settings

Location	Circuit Group	Default Open/Closed	Function
J6	J-Link OB	Closed	Configures J-Link OB connection to MCU mode
J8	J-Link OB	Jumper on pins 1-2	Configures the MCU for normal operation
J9	J-Link OB	Open	Configures Reset# for on-board debugger mode
J29	J-Link OB	Jumper on pins 1-2 Jumper on pins 3-4 Jumper on pins 5-6 Jumper on pins 7-8	Connects the J-Link OB debugger to the RA MCU
J16	MCU Boot Mode	Open	Configures the MCU for normal boot mode
J12	USB FS	Jumper on pins 2-3	Sets USB FS power to device mode
J15	USB FS	Jumper on pins 1-2	Connects micro-USB power to system power
E2	MCU Power	Closed	Connects VREFH to +3.3 V
E3	MCU Power	Closed	Connects AVCC0 to +3.3 V
E4	MCU Power	Closed	Connects AVSS0/VREFL to GND
E5	MCU Power	Closed	Connects VREFL0 to GND
E6	MCU Power	Closed	Connects VREFH0 to +3.3 V
E7	MCU Clock	Closed	Connects EXTAL to 24 MHz crystal
E11	MCU Clock	Closed	Connects XTAL to 24 MHz crystal
E12	MCU Clock	Open	Connects P213/XTAL to pin headers
E13	MCU Clock	Open	Connects P212/EXTAL to pin headers
E14	Pmod 1	Closed	Connects P206 (MISO4/RXD4) to Pmod 1
E15	Pmod 1	Closed	Connects P400 (SCK4) to Pmod 1

Location	Circuit Group	Default Open/Closed	Function
E16	Pmod 1	Closed	Connects +3.3V to Pmod 1
E17	Pmod 1	Open	Connects +5.0V to Pmod 1
E18	Pmod 1	Open	Connects P408 (SCL3) to Pmod 1
E19	Pmod 1	Open	Connects P409 (SDA3) to Pmod 1
E26	User LED	Closed	Connects User LED2 to MCU P404
E27	User LED	Closed	Connects User LED1 to MCU P415
E28	User LED	Closed	Connects User LED3 to MCU P405
E29	Debug MCU Power	Closed	Connects the Debug MCU power to +3.3 V
E30	JTAG	Closed	Connects the JTAG GND Detect pin on J20 and J13 to GND
E31	User Switch	Closed	Connects User Switch S1 to MCU P005
E32	User Switch	Closed	Connects User Switch S2 to MCU P006

5. System Control and Ecosystem Access Area

The following figure shows the System Control and Ecosystem Access area on the EK-RA4M2 board. Subsequent sections detail the features and functionality provided in the area.

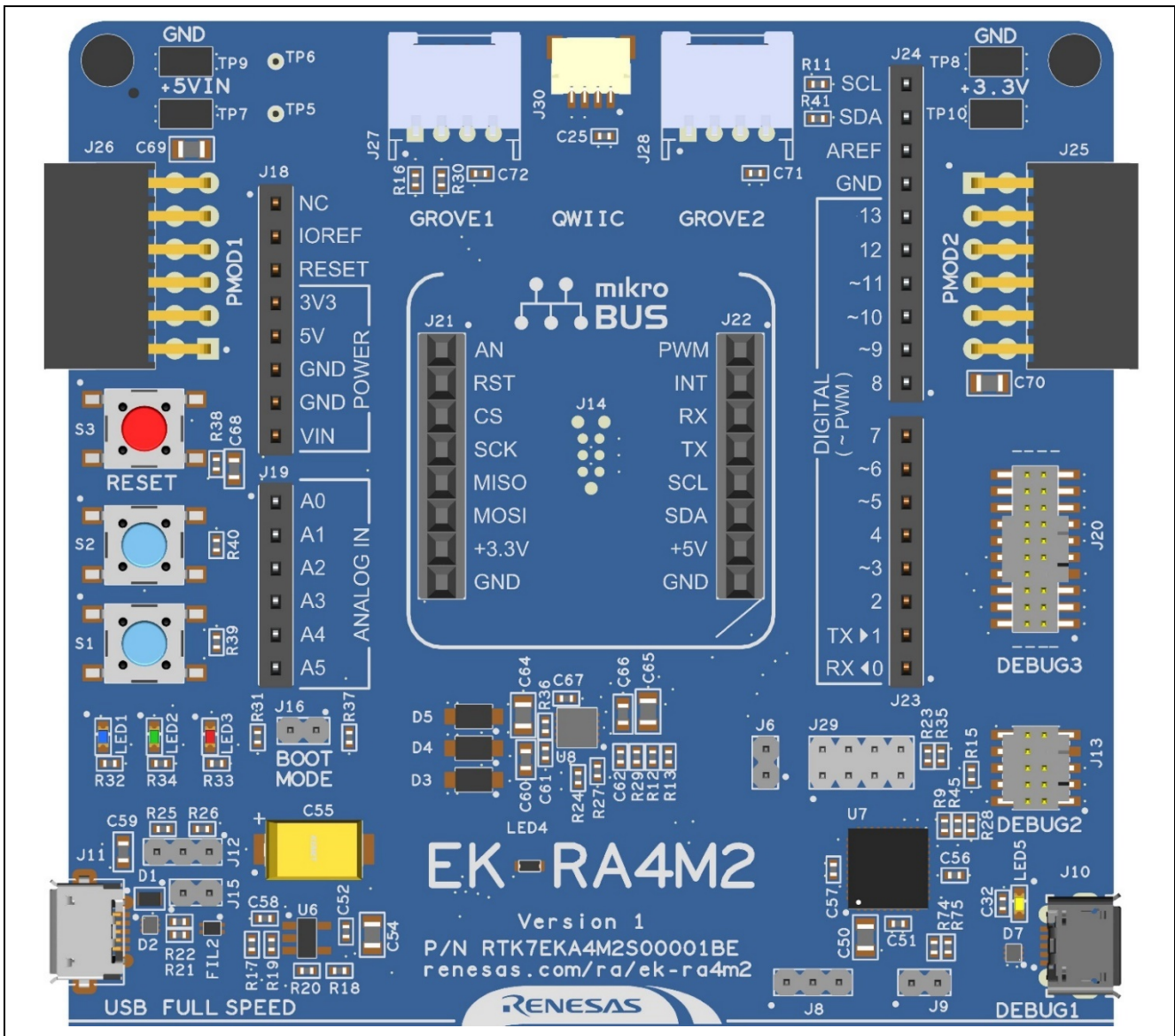


Figure 7. System Control and Ecosystem Access Area

5.1 Power

The EK-RA4M2 kit is designed for +5 V operation. An on-board Low Dropout Regulator (LDO) is used to convert the 5 V supply to a 3.3 V supply. The 3.3 V supply is used to power the RA MCU and other peripheral features.

5.1.1 Power Supply Options

This section describes the different ways in which EK-RA4M2 kit can be powered.

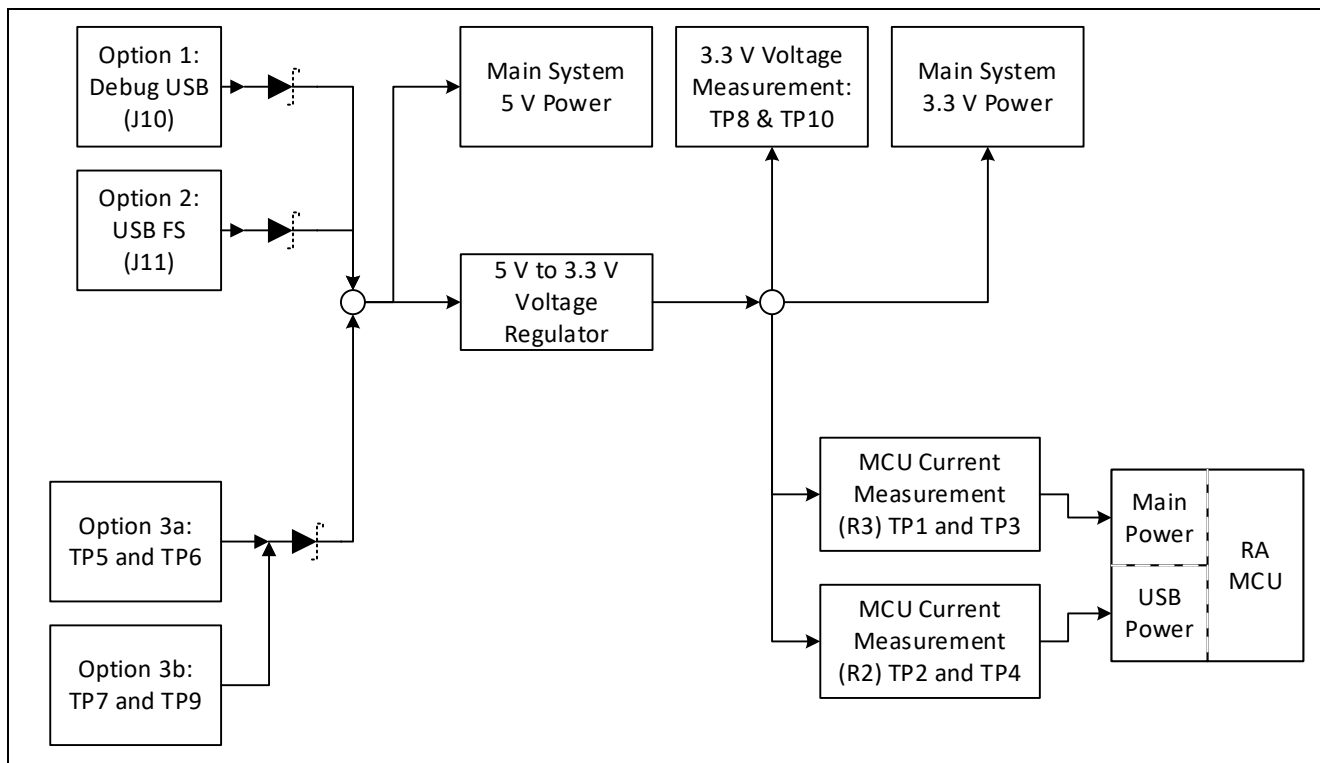


Figure 8. Power Supply Options

5.1.1.1 Option 1: Debug USB

5 V may be supplied from an external USB host to the USB Debug connector (J10) labelled DEBUG on the board. Power from this source is connected to the Main System 5 V Power. Reverse current protection is provided between this connector and the Main System 5 V Power.

5.1.1.2 Option 2: USB Full Speed

5 V may be supplied from an external USB host to the USB Full Speed connector (J11) labelled USB FULL SPEED on the board. Power from this source is connected to the Main System 5 V Power. Reverse current protection is provided between this connector and the Main System 5 V Power.

5.1.1.3 Option 3: 5V Test Points

5 V may be supplied from an external power supply to test points on the board. TP7 (5 V) and TP9 (GND) are loop-style test points, and TP5 (5 V) and TP6 (GND) are large via style test points. The two types of test points are electrically equivalent, and both are provided for user convenience. Power from this source is connected to the Main System 5 V Power. Reverse current protection is provided between the 5 V test points and the Main System 5 V Power.

5.1.2 Power Supply Considerations

The on-board LDO regulator which supplies +3.3 V has a built-in current limit of 2.0 A. Make sure the total current required by the RA MCU, any active on-board features, and any connected peripheral devices does not exceed this limit.

Note: The total current available from a typical USB host is 500 mA maximum. Depending on the configuration of the kit, multiple power sources may be required.

5.1.3 Power-up Behavior

When powered, the white LED near the center of the board (the “dash” in the EK-RA4M2 name) will light up. For more details on initial power up behavior, see the *EK-RA4M2 Quick Start Guide*.

5.2 Debug and Trace

The EK-RA4M2 board supports the following three debug modes.

Table 2. Debug Modes

Debug Modes	Debug MCU (one that connects to the IDE on PC)	Target MCU (one that is being debugged)	Debugging Interface/Protocol	Connector Used
Debug on-board	S124 (on-board)	RA4M2 (on-board)	SWD	Micro USB (J10)
Debug in	External debugging tools	RA4M2 (on-board)	SWD, ETM, JTAG	20-pin connector (J20) or 10-pin connector (J13)
Debug out	S124 (on-board)	Any external RA MCU	SWD	Micro USB (J10) plus either 20-pin connector (J20) or 10-pin connector (J13)

Notes:

- See Table 4 for the Debug USB connector pin definition.
- See Table 7 for the 20-pin JTAG connector pin definition.
- See Table 8 for the 10-pin JTAG connector pin definition.

The following table summarizes the jumper setting for each of the debug modes.

Table 3. Jumper Connection Summary for Different Debug Modes

Debug Modes	J6	J8	J9	J29
Debug on-board	Closed	Jumper on pins 1-2	Open	Jumpers on pins 1-2, 3-4, 5-6, 7-8
Debug in	Closed	Jumper on pins 1-2	Closed	Jumpers on pins 1-2, 3-4, 5-6, 7-8
Debug out	Open	Jumper on pins 2-3	Open	All pins open

5.2.1 Debug On-Board

The on-board debug functionality is provided using Renesas S124 Debug MCU and SEGGER J-Link® firmware. Debug USB Micro-B connector (J10) connects the S124 Debug MCU to an external USB Full Speed Host, allowing re-programming and debugging of the target RA MCU firmware. This connection is the default debug mode for the EK-RA4M2 board.

The S124 Debug MCU connects to the target RA MCU using the SWD interface.

Table 4. Debug USB Connector

Debug USB Connector		EK-RA4M2
Pin	Description	Signal/Bus
J10-1	+5VDC	+5V_USB_DBG
J10-2	Data-	USB_DM (U7-12)
J10-3	Data+	USB_DP (U7-13)
J10-4	USB ID, jack internal switch, cable inserted	N.C.
J10-5	Ground	GND

A yellow indicator, LED5, shows the visual status of the debug interface. When the EK-RA4M2 board is powered on, and LED5 is blinking, it indicates that the S124 Debug MCU is not connected to a programming host. When LED5 is on solid, it indicates that the S124 Debug MCU is connected to a programming interface.

To configure the EK-RA4M2 board to use the Debug On-Board mode, configure the jumpers using the following table.

Table 5. Debug On-Board Jumper Configuration

Location	Default Open/Closed	Function
J6	Closed	Target RA MCU MD connected to debug
J8	Jumper on pins 1-2	Target RA MCU RESET# connected to debug RESET#
J9	Open	S124 Debug MCU in normal operation mode
J29	Jumpers on pins 1-2, 3-4, 5-6, 7-8	Target RA MCU debug signals connected to the Debug Interface

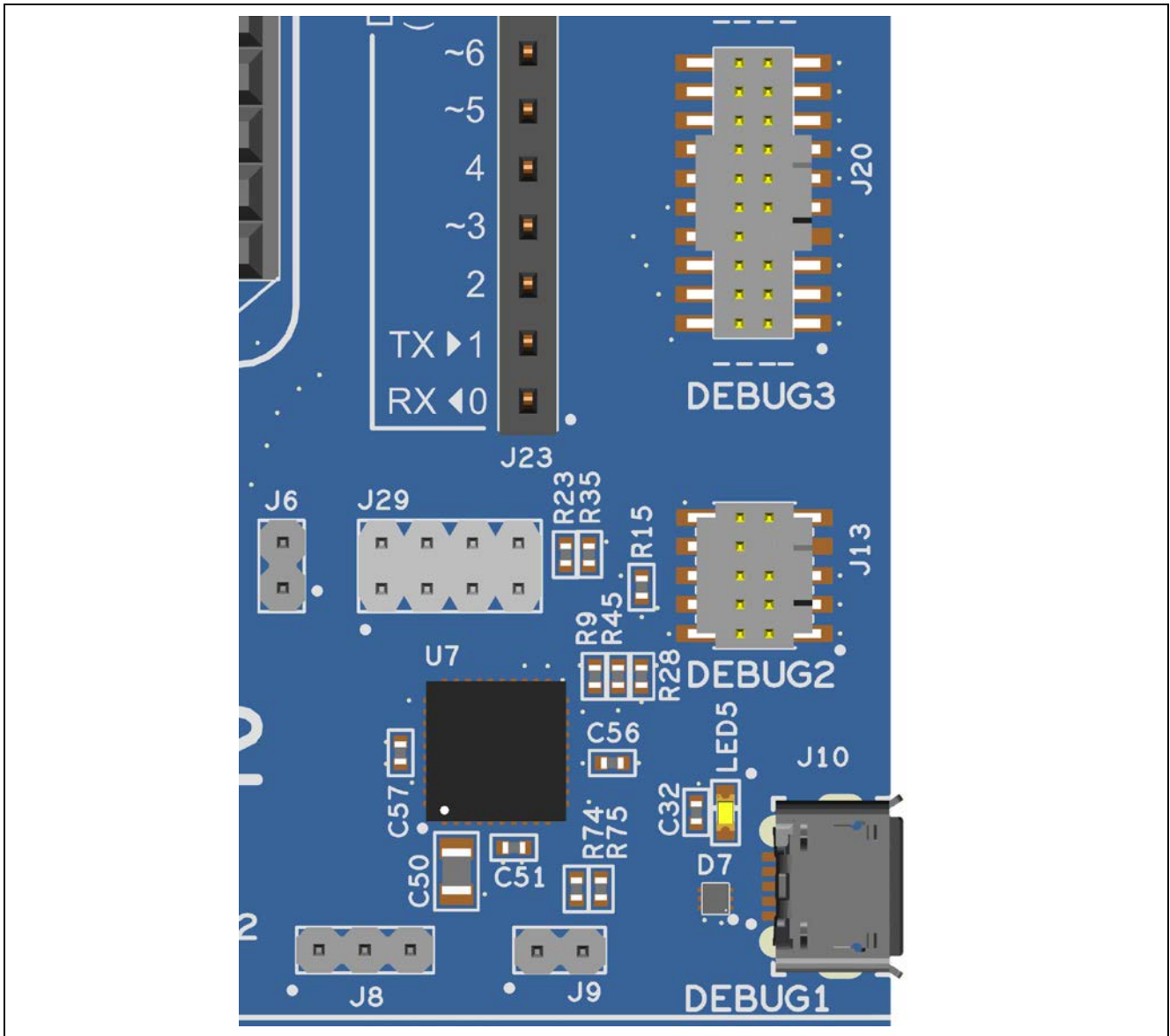


Figure 9. EK-RA4M2 Debug Interface

5.2.2 Debug In

One 20-pin Cortex® Debug Connector at J20 supports JTAG, SWD and ETM (TRACE) debug. One 10-pin Cortex® Debug Connector at J13 supports JTAG and SWD. Either of these connectors may be used for external debug of the target RA MCU.

To configure the EK-RA4M2 board to use the Debug In mode, configure the jumpers using the following table.

Table 6. Debug In Mode Jumper Configuration

Location	Default Open/Closed	Function
J6	Closed	Target RA MCU MD connected to debug
J8	Jumper on pins 1-2	Target RA MCU RESET# connected to debug RESET#
J9	Closed	S124 Debug MCU is held in RESET
J29	Jumpers on pins 1-2, 3-4, 5-6, 7-8	Target RA MCU debug signals connected to the Debug Interface

Table 7. JTAG/SWD/TRACE Connector

JTAG Connector				EK-RA4M2
Pin	JTAG Pin Name	SWD Pin Name	ETM Pin Name	Signal/Bus
J20-1	Vtref	Vtref	Vtref	+3V3
J20-2	TMS	SWDIO	N/A	P108/SWDIO
J20-3	GND	GND	GND	GND
J20-4	TCK	SWCLK	N/A	P300/SWCLK
J20-5	GND	GND	GND	GND
J20-6	TDO	SWO	N/A	P109/TDO
J20-7	Key	Key	Key	N.C.
J20-8	TDI	NC/EXTb	N/A	P110/TDI
J20-9	GNDDetect	GNDDetect	GNDDetect	GND (cut E30 to open)
J20-10	nSRST	nSRST	nSRST	RESET#
J20-11	N/A	N/A	N/A	GND
J20-12	N/A	N/A	TCLK	P214/TCLK
J20-13	N/A	N/A	N/A	GND
J20-14	N/A	N/A	TDATA0	P211/TDATA0
J20-15	N/A	N/A	GND	GND
J20-16	N/A	N/A	TDATA1	P210/TDATA1
J20-17	N/A	N/A	GND	GND
J20-18	N/A	N/A	TDATA2	P209/TDATA2
J20-19	N/A	N/A	GND	GND
J20-20	N/A	N/A	TDATA3	P208/TDATA3

Table 8. JTAG/SWD Connector

JTAG Connector				EK-RA4M2
Pin	JTAG Pin Name	SWD Pin Name	ETM Pin Name	Signal/Bus
J13-1	Vtref	Vtref	Vtref	+3V3
J13-2	TMS	SWDIO	N/A	P108/SWDIO
J13-3	GND	GND	GND	GND
J13-4	TCK	SWCLK	N/A	P300/SWCLK
J13-5	GND	GND	GND	GND
J13-6	TDO	SWO	N/A	P109/TDO
J13-7	Key	Key	Key	N.C.
J13-8	TDI	NC/EXTb	N/A	P110/TDI
J13-9	GNDDetect	GNDDetect	GNDDetect	GND (cut E30 to open)
J13-10	nSRST	nSRST	nSRST	RESET# (via J8)

Note: The Cortex® Debug Connector is fully described in the Arm® CoreSight™ Architecture Specification.

5.2.3 Debug Out

The EK-RA4M2 board can be configured to use the S124 Debug MCU to debug target RA MCU on an external board.

A yellow indicator, LED5, shows the visual status of the debug interface. When the EK-RA4M2 board is powered on, and LED5 is blinking, this indicates that the S124 Debug MCU is not connected to a programming host. When LED5 is on solid, this indicates that the S124 Debug MCU is connected to a programming interface.

To configure the EK-RA4M2 board to use the Debug Out mode, configure the jumpers according to the following table.

Table 9. Debug Out Jumper Configuration

Location	Default Open/Closed	Function
J6	Open	No connection to RA MCU
J8	Jumper on pins 2-3	On-board RA MCU is held in RESET
J9	Open	S124 Debug MCU in normal operation mode
J29	All jumpers removed	Disconnects the on-board RA MCU debug signals from the Debug Interface

5.3 Ecosystem

The System Control and Ecosystem area provides users the option to simultaneously connect several 3rd party add-on modules compatible with four most popular ecosystems using the following connectors:

1. Two Seeed Grove® system (I2C/Analog) connectors
2. SparkFun® Qwiic® connector
3. Two Digilent Pmod™ (SPI and UART) connectors
4. Arduino™ (Uno R3) connector
5. MikroElektronika™ mikroBUS connector

5.3.1 Seeed Grove® Connectors

5.3.1.1 Grove 1

A Seeed Grove I2C connector is provided at J27. The RA MCU acts as a two-wire serial master, and a connected module acts as a two-wire serial slave.

Table 10. Grove 1 Connector

Grove 1 Connector		EK-RA4M2
Pin	Description	Signal/Bus
J27-1	SCL	P408 (SCL3)
J27-2	SDA	P409 (SDA3)
J27-3	VCC	+3.3V
J27-4	GND	GND

5.3.1.2 Grove 2

A Seeed Grove Analog connector is provided at J28.

Table 11. Grove 2 Connector

Grove 2 Connector		EK-RA4M2
Pin	Description	Signal/Bus
J28-1	A0	P002 (AN002)
J28-2	A1	P004 (AN004)
J28-3	VCC	+3.3V
J28-4	GND	GND

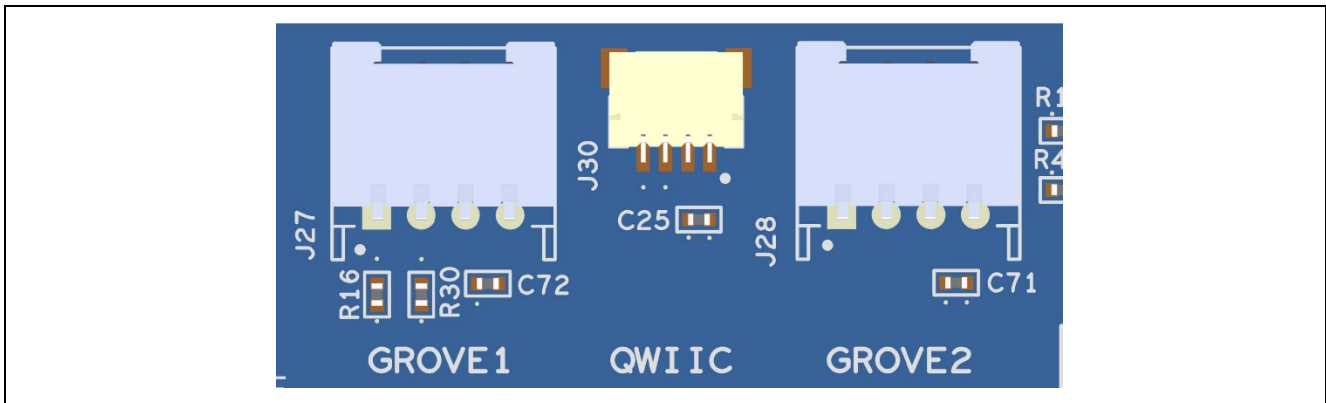


Figure 10. Seed Grove and Qwiic Connectors

5.3.2 SparkFun® Qwiic® Connector

A Qwiic connector is provided at J30. The Main MCU acts as a two-wire serial master, and a connected module acts as a two-wire serial slave. (Data lines shared with Grove 1.)

Table 12. Qwiic Connector

Qwiic Connector		EK-RA4M2
Pin	Description	Signal/Bus
J30-1	GND	GND
J30-2	VCC	+3.3V
J30-3	SDA	P409 (SDA3)
J30-4	SCL	P408 (SCL3)

5.3.3 Digilent Pmod™ Connectors

5.3.3.1 Pmod 1

A 12-pin Pmod Type-2A (expanded SPI) and Type-3A (expanded UART) connector is provided at J26, Pmod 1. The RA MCU acts as the SPI master, and the connected module acts as an SPI slave device. This interface may additionally be re-configured in firmware as several other Pmod types.

Table 13. Pmod 1 Connector

Pmod 1 Connector Default			EK-RA4M2	Pmod 1 Configuration	
Pin	Description	Option Type 6A	Signal/Bus	Short	Open
J26-1	SS / CTS	NC / INT	P401 (SS4/CTS4/IRQ5-DS)		
J26-2	MOSI / TXD	NC / RESET	P207 (MOSIA4/TDX4)		
J26-3	MISO / RXD		P206 (MISOA4/RXD4)	E14	E18
		SCL	P408 (SCL3)	E18	E14
J26-4	SCK		P400 (SCK4)	E15	E19
		SDA	P409 (SDA3)	E19	E15
J26-5	GND		GND		
J26-6	VCC		+3.3 V	E16	E17
			+5.0 V	E17	E16
J26-7	GPIO / INT (slave to master)		P008 (IRQ12-DS)		
J26-8	GPIO / RESET (master to slave)		P403		
J26-9	GPIO / CS2		P402		
J26-10	GPIO / CS3		P406		
J26-11	GND		GND		
J26-12	VCC		+3.3 V	E16	E17
			+5.0 V	E17	E16

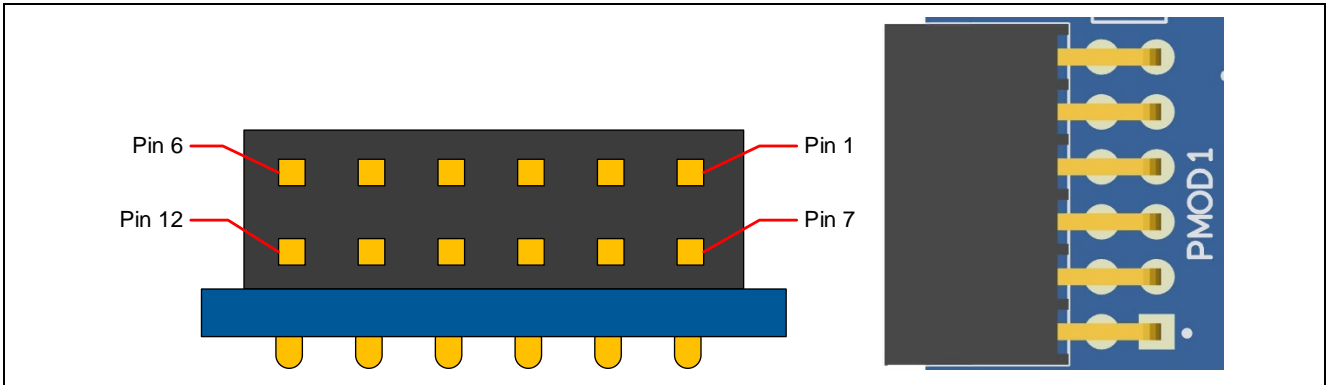


Figure 11. Pmod 1

The default setting of the Pmod 1 interface supports +3.3 V devices. Please ensure that any Pmod device installed is compatible with a +3.3 V supply.

Pmod Type 6A Operation

Pmod 1 can be configured to support proposed Pmod Type 6A connector specification supporting I2C connections. There is also an alternate 5V power source option. In order to configure Pmod 1 for Type 6A operation, modify the trace cut jumpers as mentioned in Table 13. The trace cut jumpers are shown in Figure 12.

Note: Exercise caution while modifying power source trace jumpers, E16 and E17. Permanent damage to the EK-RA4M2 board and/or connected modules may result.

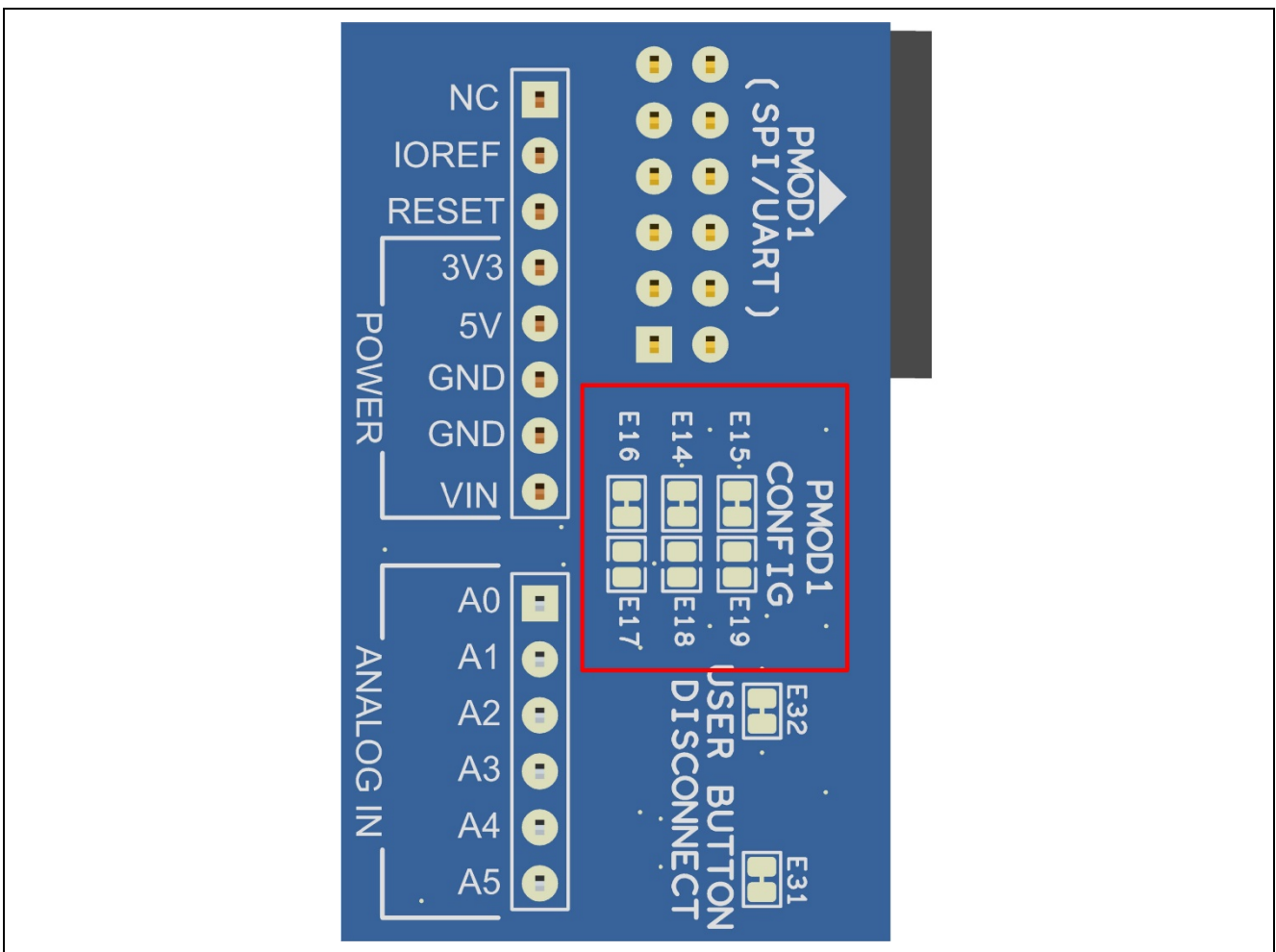


Figure 12. Pmod 1 Trace Cut Jumpers

5.3.3.2 Pmod 2

A 12-pin Pmod type-2A connector is provided at J25, Pmod 2. The RA MCU acts as the SPI master, and the connected module acts as an SPI slave device. This interface may additionally be re-configured in firmware as several other Pmod types.

This Pmod interface supports +3.3 V devices. Please ensure that any Pmod device installed is compatible with a +3.3 V supply.

Table 14. Pmod 2 Connector

Pmod 2 Connector		EK-RA4M2
Pin	Description	Signal/Bus
J25-1	SS / CTS	P413 (SS0/CTS0)
J25-2	MOSI / TXD	P411 (MOSI0/TXD0)
J25-3	MISO / RXD	P410 (MISO0/RXD0)
J25-4	SCK	P412 (SCK0)
J25-5	GND	GND
J25-6	VCC	+3.3 V
J25-7	GPIO / INT (slave to master)	P414 (IRQ9)
J25-8	GPIO / RESET (master to slave)	P608
J25-9	GPIO / CS2	P609
J25-10	GPIO / CS3	P610
J25-11	GND	GND
J25-12	VCC	+3.3 V

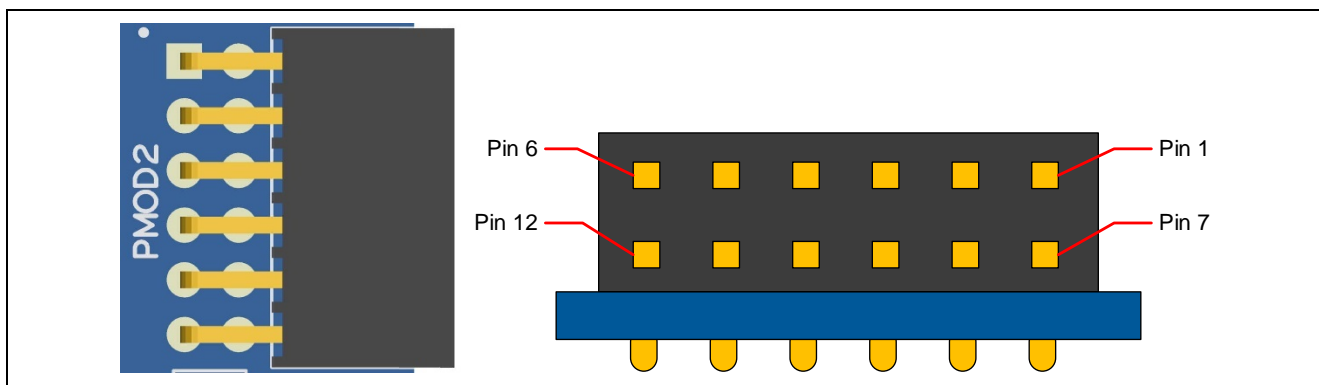


Figure 13. Pmod 2

5.3.4 Arduino™ Connector

Near the center of the System Control and Ecosystem Access area is an Arduino Uno R3 compatible connector interface.

Table 15. Arduino Uno Connections

Arduino Compatible Connector		EK-RA4M2
Pin	Description	Signal/Bus
J18-1	NC	NC
J18-2	IOREF	+3.3V
J18-3	RESET	P115
J18-4	3.3 V	+3.3V
J18-5	5 V	+5 V
J18-6	GND	GND
J18-7	GND	GND
J18-8	VIN	NC
J19-1	A0	P000 (AN000)
J19-2	A1	P001 (AN001)

Arduino Compatible Connector		EK-RA4M2
Pin	Description	Signal/Bus
J19-3	A2	P003 (AN003)
J19-4	A3	P007 (AN007)
J19-5	A4	P014 (AN012/DA0)
J19-6	A5	P015 (AN013/DA1)
J23-1	D0 / RXD	P100 (RXD0)
J23-2	D1 / TXD	P101 (TXD0)
J23-3	D2 / INT0	P304 (IRQ9)
J23-4	D3 / INT1 / PWM	P105 (IRQ0/GTIOC1A)
J23-5	D4	P106
J23-6	D5 / PWM	P111 (GTIOC3A)
J23-7	D6 / PWM	P103 (GTIOC2A)
J23-8	D7	P107
J24-1	D8	P102
J24-2	D9 / PWM	P114 (GTIOC2B)
J24-3	D10 / SPI_SS / PWM	P603 (SS9/GTIOC7A)
J24-4	D11 / SPI_MOSI / PWM	P602 (MOSI9/GTIOC7B)
J24-5	D12 / SPI_MISO	P601 (MISO9)
J24-6	D13 / SPI_SCK	P600 (SCK9)
J24-7	GND	GND
J24-8	AREF	+3.3V
J24-9	I2C_SDA	P112 (SDA2)
J24-10	I2C_SCL	P113 (SCL2)

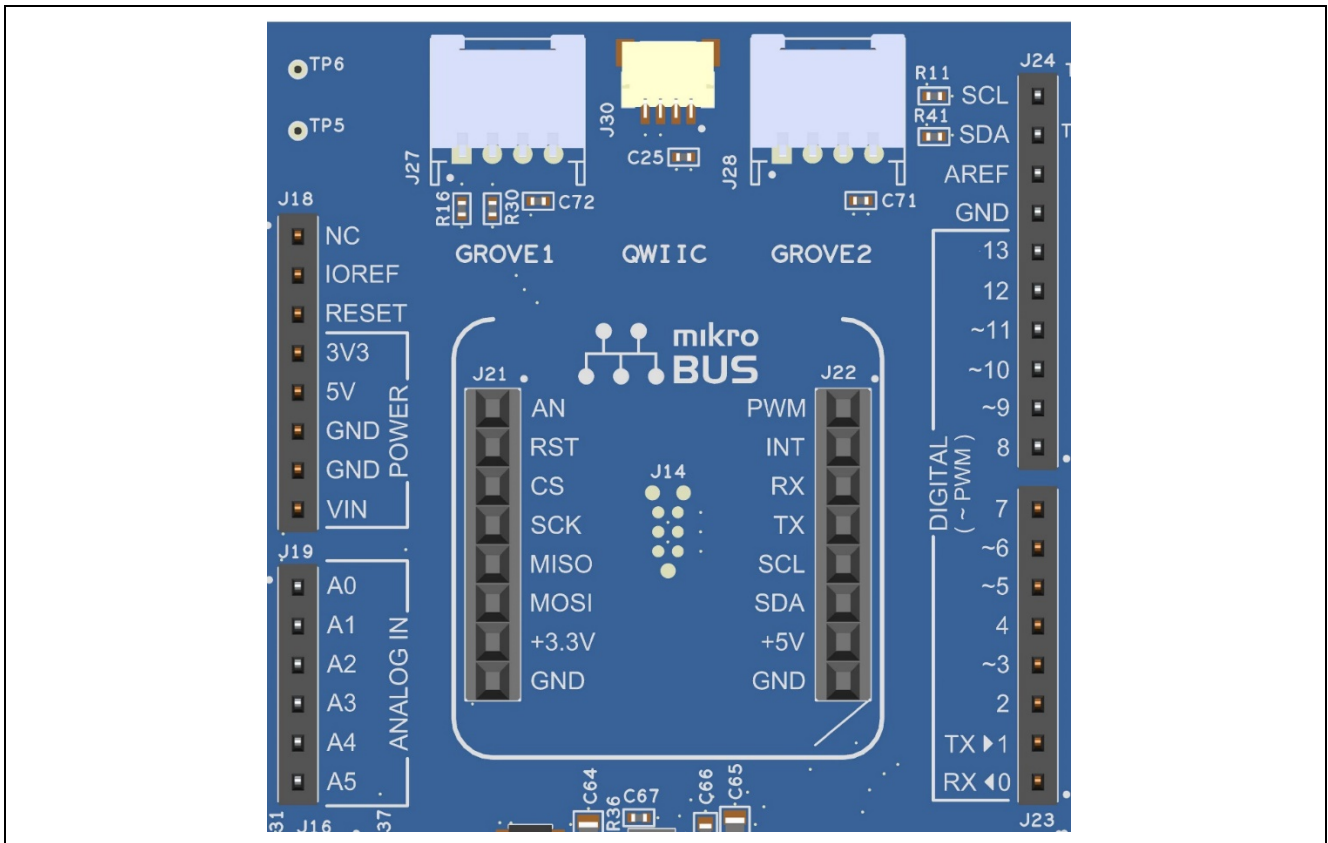


Figure 14. Arduino Uno Connectors

5.3.5 MikroElektronika™ mikroBUS Connector

In the center of the System Control and Ecosystem Access area is a mikroBUS compatible connector interface. This interface is compliant with mikroBUS Standard Specifications revision 2.00.

Table 16. mikroBUS Connections

mikroBUS Connector		EK-RA4M2
Pin	Description	Signal/Bus
J21-1	AN (Analog)	P000 (AN000)
J21-2	RST (Reset)	P115
J21-3	CS (SPI Chip Select)	P603 (SS9)
J21-4	SCK (SPI Clock)	P600 (SCK9)
J21-5	MISO	P601 (MISO9)
J21-6	MOSI	P602 (MOSI9)
J21-7	+3.3 V	+3.3V
J21-8	GND	GND
J22-1	PWM	P111 (GTIOC3A)
J22-2	INT (Hardware Interrupt)	P502 (IRQ12)
J22-3	RX (UART Receive)	P100 (RXD0)
J22-4	TX (UART Transmit)	P101 (TXD0)
J22-5	SCL (I2C Clock)	P113 (SCL2)
J22-6	SDA (I2C Data)	P112 (SDA2)
J22-7	+5 V	+5V
J22-8	GND	GND

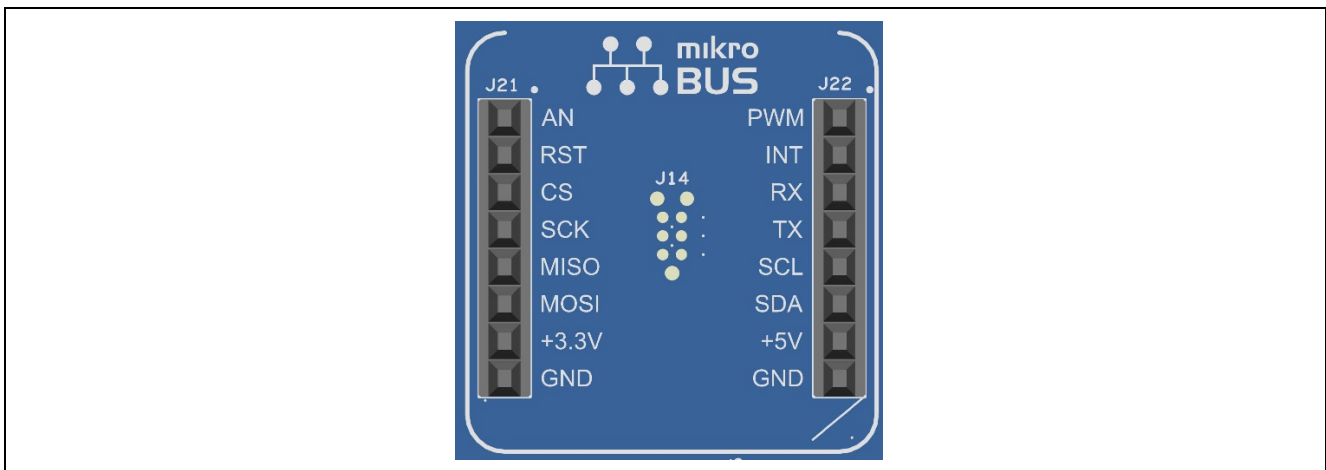


Figure 15. mikroBUS Connection

5.4 Connectivity

5.4.1 USB Full Speed

The USB Micro-AB connection jack (J11) connects the RA MCU USB Full Speed interface to an external USB interface, allowing communications for testing and use of the RA MCU firmware. This connection can be configured as either a USB Device or a USB Host interface.

For a USB Device configuration, set jumper J12 to pins 2-3, install a jumper on J15 pins 1-2, and configure the RA MCU firmware to use the USB Full Speed ports in device mode. Power from an external USB Host on this connection can be used to provide power to the EK-RA4M2 board.

For a USB Host configuration, set jumper J12 to pins 1-2, remove the jumper from J15, and configure the RA MCU firmware to use the USB Full Speed ports in host mode. In this configuration, power to J11 is supplied from U6. The total current available from U6 is 500 mA. Note that the input power sources must be configured with enough power for both the EK-RA4M2 board and the USB Full Speed port in host mode. Connect the included USB type-A female to micro-B male cable to J11. USB device cables or devices can be connected to the USB Full Speed port using this cable.

Table 17. USB Full Speed Connector

USB Full Speed Connector		EK-RA4M2
Pin	Description	Signal/Bus
J11-1	+5VDC	Selected via J12 Host Mode: +5VUSB Device Mode: P407/USB_VBUS = 2/3 (5VUSB)
J11-2	Data-	USB_DM (USBFS_N)
J11-3	Data+	USB_DP (USBFS_P)
J11-4	USB ID, jack internal switch, cable inserted	N.C.
J11-5	Ground	GND

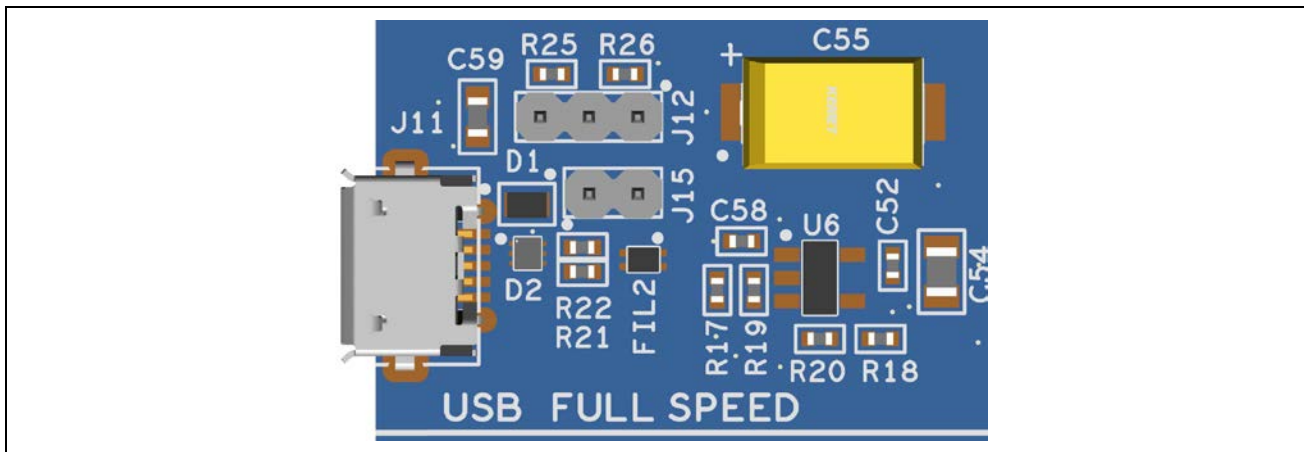


Figure 16. USB Full Speed Connector

5.5 Miscellaneous

5.5.1 User and Power LEDs

5 LEDs are provided on the EK-RA4M2 board.

Behavior of the LEDs on the EK-RA4M2 board is described in the following table.

Table 18. EK-RA4M2 Board LED Functions

Designator	Color	Function	MCU Control Port
LED1	Blue	User LED	P415
LED2	Green	User LED	P404
LED3	Red	User LED	P405
LED4	White	Power on indicator	+3.3V
LED5	Yellow	Debug LED	J-Link OB MCU

The User LEDs may be isolated from the Main MCU, so the associated ports can be used for other purposes. To separate LED1 from P415, Trace Cut Jumper E27 must be open. To separate LED2 from P404, Trace Cut Jumper E26 must be open. To separate LED3 from P405, Trace Cut Jumper E28 must be open.

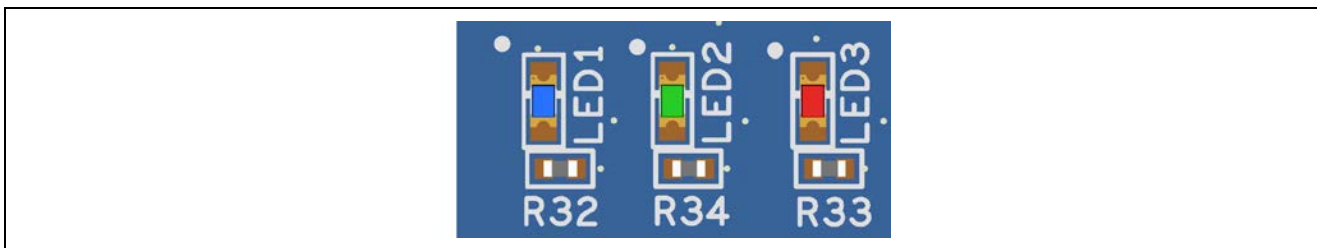


Figure 17. User LEDs



Figure 18. Power LED

5.5.2 User and Reset Switches

Three miniature, momentary, mechanical push-button type SMT switches are mounted on the EK-RA4M2 board.

Pressing the Reset switch (S3) generates a reset signal to restart the RA MCU.

Table 19. EK-RA4M2 Board Switches

Designator	Function	MCU Control Port	Button Color
S3	MCU Reset Switch	RESET#	Red
S2	User Switch	P006 (IRQ11-DS)	Blue
S1	User Switch	P005 (IRQ10-DS)	Blue

The User Switches S1 and S2 may be isolated from the Main MCU, so the associated ports can be used for other purposes. To separate S1 from P005, Trace Cut Jumper E31 must be open. To separate S2 from P006, Trace Cut Jumper E32 must be open.

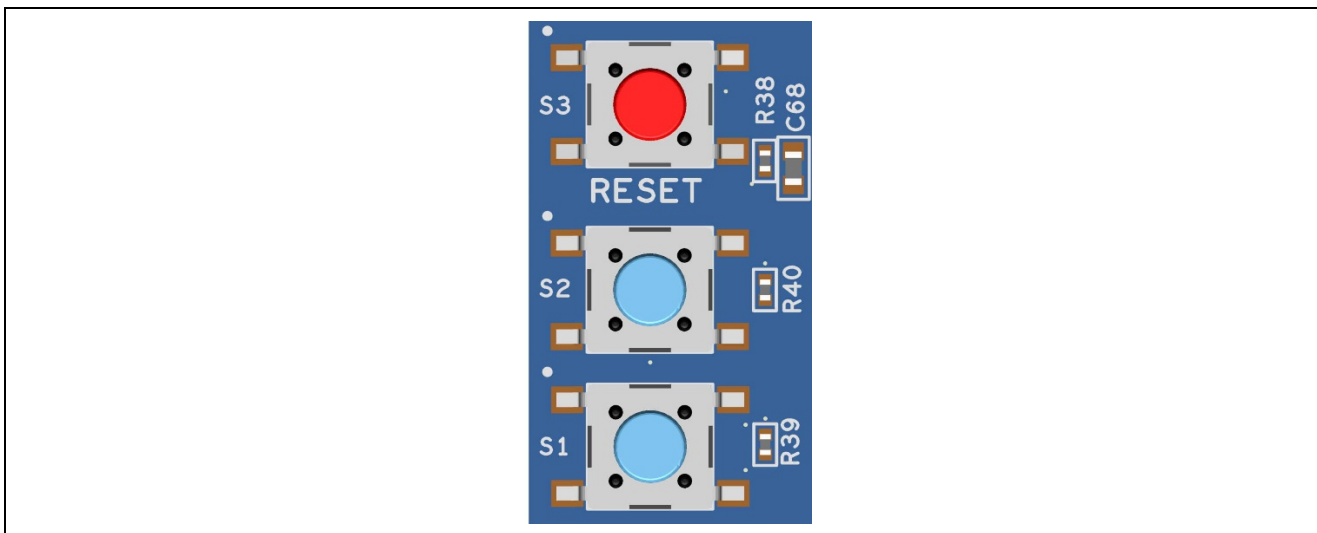


Figure 19. Reset and User Switches

5.5.3 MCU Boot Mode

A two-pin header (J16) is provided to select the Boot mode (P201) of the RA MCU. For normal operation, or Single-Chip mode, leave J16 open. To enter SCI Boot mode or USB Boot mode, place a jumper on J16.

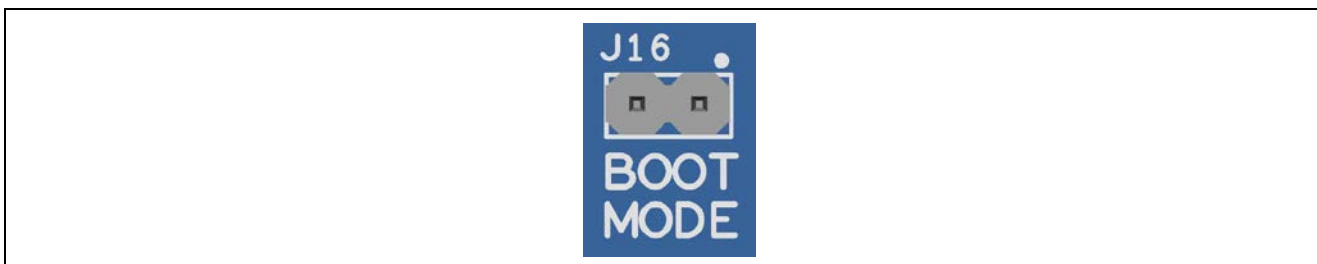


Figure 20. Boot Mode

Note: The RA MCU fitted to the EK-RA4M2 board may not contain the latest version of the on-chip boot firmware.

6. Special Feature Access Area

The Special Feature Access area provides features specific to the RA4M2 MCU group such as Quad-SPI.



Figure 21. Special Feature Access Area

6.1 Quad-SPI Flash

Included on the EK-RA4M2 board is a Macronix 32 MB Quad-SPI flash memory (MX25L25645G). The Quad-SPI flash (U2) connects to the Quad-SPI peripheral on the RA MCU and defaults to standard SPI mode initially. The flash Quad-SPI flash is enabled for XIP (Execute-in-place) mode directly after power-on.

Table 20. Quad-SPI Flash Port Assignments

QSPI Signal Description	EK-RA4M2 Port
QSPI CS#	P306 (QSSL)
QSPI CLK	P305 (QSPCLK)
QSPI DQ0	P307 (QIO0)
QSPI DQ1	P503 (QIO1)
QSPI DQ2	P104 (QIO2)
QSPI DQ3	P505 (QIO3)

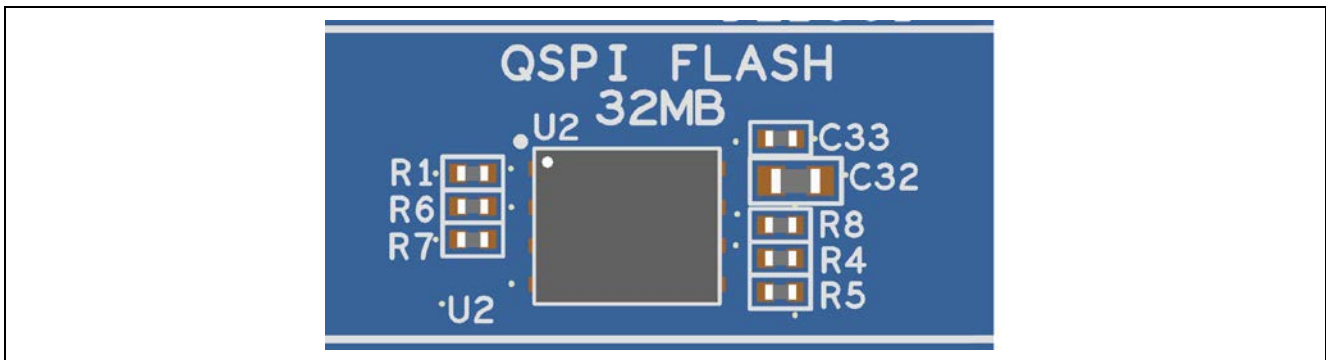


Figure 22. Quad-SPI Flash

7.2 MCU and USB Current Measurement

Included in the Native Pin Access area are current measurement resistors and test points to measure the MCU USB controller current and the MCU core power current.

The EK-RA4M2 board provides precision 5 mΩ resistors (Vishay, part number WSLP08055L000FEA18) for current measurement of the main 3.3 V MCU power, and the 3.3 V USB MCU power. Measure the voltage drop across these resistors and use Ohm's Law to calculate the current. For convenience, TP1 and TP3 are provided to measure the main 3.3 V MCU power, and TP2 and TP4 are provided to measure the 3.3 V USB MCU power. See Figure 26 for the location of TP1, TP3, TP2 and TP4.

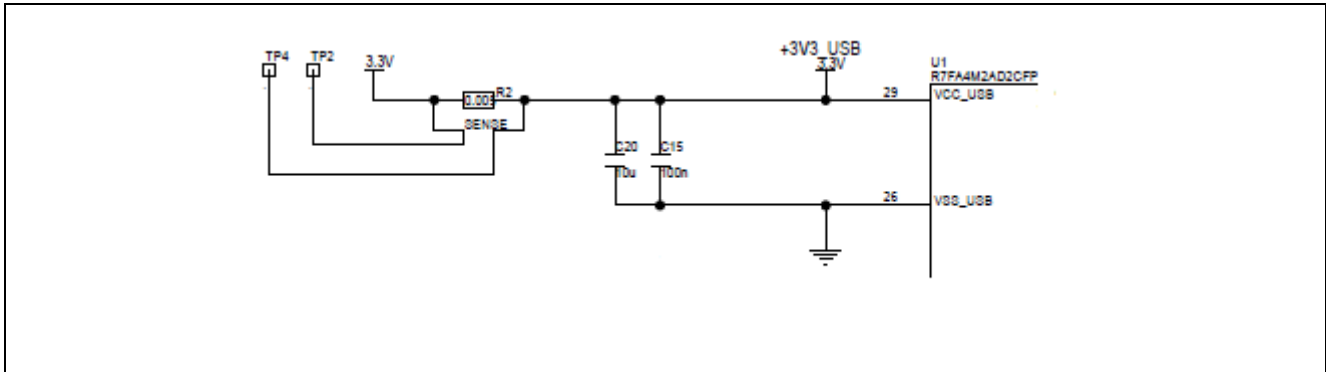


Figure 24. RA USB Current Measurement Circuit

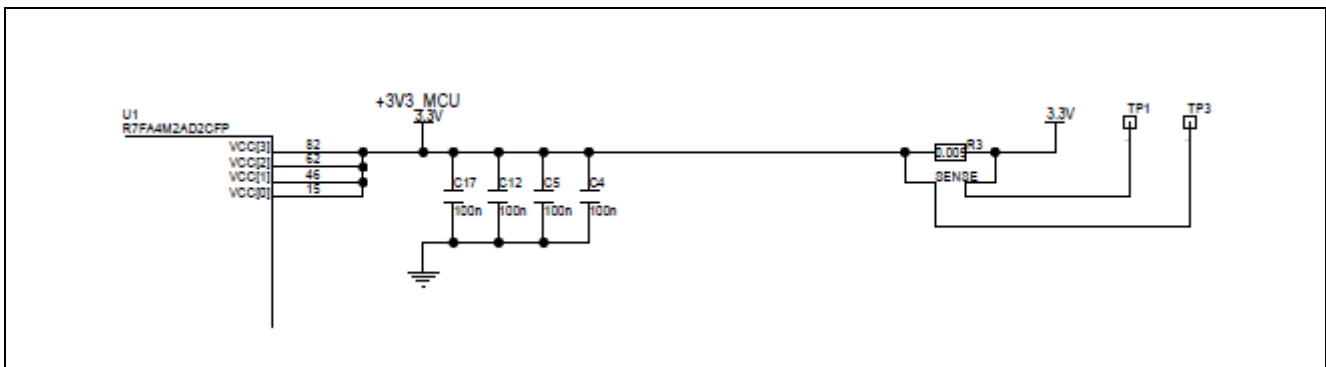


Figure 25. RA +3.3 V Current Measurement Circuit

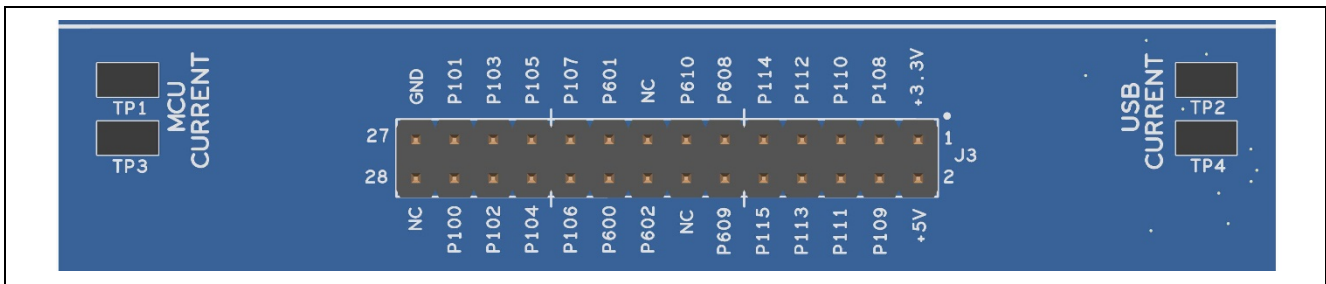


Figure 26. RA MCU Current Measurement

8. Certifications

The EK-RA4M2 v1 kit meets the following certifications/standards. See page 4 of this user's manual for the disclaimer and precautions.

8.1 EMC/EMI Standards

- FCC Notice (Class A)



This device complies with part 15 of the FCC Rules. Operation is subject to the following two conditions: (1) This device may not cause harmful interference, and (2) this device must accept any interference received, including interference that may cause undesired operation.

NOTE- This equipment has been tested and found to comply with the limits for a Class A digital device, pursuant to Part 15 of the FCC Rules. These limits are designed to provide reasonable protection against harmful interference in a residential installation. This equipment generates, uses and can radiate radio frequency energy and, if not installed and used in accordance with the instructions, may cause harmful interference to radio communications. However, there is no guarantee that interference will not occur in a particular installation. If this equipment does cause harmful interference to radio or television reception, which can be determined by turning the equipment off and on, the user is encouraged to try to correct the interference by one or more of the following measures:

- Reorient or relocate the receiving antenna.
- Increase the separation between the equipment and receiver.
- Connect the equipment into an outlet on a circuit different from that to which the receiver is connected.
- Consult the dealer or an experienced radio/television technician for help.

- Innovation, Science and Economic Development Canada ICES-003 Compliance:

CAN ICES-3 (A)/NMB-3(A)

- CE Class A (EMC)



This product is herewith confirmed to comply with the requirements set out in the Council Directives on the Approximation of the laws of the Member States relating to Electromagnetic Compatibility Directive 2014/30/EU.

Warning – This is a Class A product. In a domestic environment this product may cause radio interference in which case the user may be required to take adequate measures to correct this interference.

- Taiwan: Chinese National Standard 13438, C6357 compliance, Class A limits
- Australia/New Zealand AS/NZS CISPR 32:2015, Class A

8.2 Material Selection, Waste, Recycling and Disposal Standards

- EU RoHS
- China SJ/T 113642014, 10-year environmental protection use period.

8.3 Safety Standards

- UL 94V-0

9. Design and Manufacturing Information

The design and manufacturing information for the EK-RA4M2 v1 kit is available in the “EK-RA4M2v1 Design Package” available on renesas.com/ra/ek-ra4m2.

- Design package file name: ek-ra4m2-v1-designpackage.zip
- Design package contents

Table 21. EK-RA4M2 Board Design Package Contents

File Type	Content	File/Folder Name
File (PDF)	Schematics	ek-ra4m2-v1-schematics
File (PDF)	Mechanical Drawing	ek-ra4m2-v1-mechdwg
File (PDF)	3D Drawing	ek-ra4m2-v1-3d
File (PDF)	BOM	ek-ra4m2-v1-bom
Folder	Manufacturing Files	Manufacturing Files
Folder	Design Files	Design Files-Cadence Allegro

10. Website and Support

Visit the following URLs to learn about the kit and the RA family of microcontrollers, download tools and documentation, and get support.

EK-RA4M2 Resources	renesas.com/ra/ek-ra4m2
RA Product Information	renesas.com/ra
RA Product Support Forum	renesas.com/ra/forum
Renesas Support	renesas.com/support

Revision History

Rev.	Date	Description	
		Page	Summary
1.00	Jan.04.21	—	Initial release

EK-RA4M2 v1 – User's Manual

Publication Date: Jan.04.21

Published by: Renesas Electronics Corporation

EK-RA4M2 v1 – User's Manual