

---

## Introduction

This application note is a summary of the items serving as design points as reference materials for use when designing hardware which incorporates RZ/T2M, RZ/N2L, and RZ/T2L group LSIs.

## Target Device

- RZ/T2M Group
- RZ/N2L Group
- RZ/T2L Group

## Trademark

- Ethernet is a registered trademark of Fuji Xerox Co., Ltd.
- EtherCAT® is registered trademark and patented technology, licensed by Beckhoff Automation GmbH, Germany.
- Additionally, all product names and service names in this document are a trademark or a registered trademark which belongs to the respective owners.

# Table of Contents

Introduction .....	1
Target Device .....	1
Trademark .....	1
Table of Contents .....	2
1. Power Supply .....	4
1.1 Power Supply .....	4
1.2 Power On/Off Sequence .....	5
1.3 Power and Reset Circuits .....	7
2. Operating Mode .....	9
2.1 Overview .....	9
2.2 Boot mode setting (MDn) .....	9
2.3 Operating voltage of I/O domain (MDVn) .....	11
2.3.1 Example of multiplexing the pins as LED .....	13
3. Oscillator Circuit .....	16
3.1 Clock Pins .....	16
3.2 Example of External Clock Connection .....	17
3.3 Example of Crystal Oscillator Connection .....	18
3.3.1 Example of PCB Layout .....	19
4. Flash Memory .....	22
4.1 xSPI n (n = 0, 1) boot mode (x1boot serial flash mode) .....	22
4.1.1 For serial flash with hardware reset .....	23
4.1.2 For serial flash without hardware reset .....	24
4.2 xSPI0 boot mode (x8 boot serial flash mode) .....	25
5. Ethernet .....	26
5.1 Ethernet PHY .....	26
5.1.1 Notes on the Ethernet PHY layout .....	30
5.2 EtherCAT .....	31
5.2.1 PHY addresses .....	31
5.2.2 Connection with PHY .....	31
5.2.3 Connection with EEPROM .....	32
5.2.4 Connection with LEDs .....	33

REVISION HISTORY ..... 34

General Precautions in the Handling of Microprocessing Unit and Microcontroller Unit  
Products..... 35

Notice..... 36

# 1. Power Supply

## 1.1 Power Supply

RZ/T2M, RZ/N2L, and RZ/T2L group LSIs. has the power supplies shown in **Table 1.1**.

- When designing a board, separate the digital power supply and the analog power supply as far away as possible to prevent switching noise from the digital power supply.
- Connect all power supply and ground pins. LSI operation is not guaranteed if there are open pins.

Table 1.1 Power Supply

Item	Symbol	Mode	Min.	Typ.	Max.	Unit
Power supply voltages	VCC33		3.135	—	3.465	V
	VDD		1.05	1.1	1.15	V
	VSS		—	0	—	V
Power supply voltages supporting multi voltage mode	VCC1833_0, VCC1833_1, VCC1833_2, VCC1833_3, VCC1833_4	3.3V mode	3.135	3.3	3.465	V
		1.8V mode (VCC18)	1.70	1.8	1.95	V
Analog power supply voltages	VCC18_PLL0		—	VCC18	—	V
	VCC18_PLL1		—	VCC18	—	V
	VCC33_USB		—	VCC33	—	V
	VCC18_USB		—	VCC18	—	V
	AVCC18_USB		—	VCC18	—	V
	VCC18_ADC0		—	VCC18	—	V
	VCC18_ADC1		—	VCC18	—	V
	VREFH0		—	VCC18	—	V
	VREFH1		—	VCC18	—	V
	AVCC18_TSU		—	VCC18	—	V
	VSS_USB		—	0	—	V

- Notes:
- The 176 LQFP and 128 LQFP packages of RZ/T2M products do not have pins VCC1833\_n, VCC18\_ADC1, and VREFH1. VCC1833\_n (n =1 to 4) of the 225 FBGA package is fixed to 3.3V mode.
  - The 121 FBGA package of RZ/N2L products does not have pins VCC33\_USB, VCC18\_USB, AVCC18\_USB, VCC18\_ADC0, VCC18\_ADC1, VSS\_USB.
  - RZ/T2L products do not have VCC1833\_0, VCC1833\_1, and VCC1833\_4.

## 1.2 Power On/Off Sequence

Power on/off sequence and timing are shown in the figure and table below.

For power-up, 1.1-V and 1.8-V power (i.e. VDD, VCC18, and AVCC) must be supplied first, then 3.3-V power (i.e. VCC33) must be supplied. The power-up sequence must be completed within 100 ms. Reset signal (i.e. RES#) must be held to Low level during the power-up.

For Power-down, 3.3-V power (i.e. VCC33) must go down first and then 1.1-V and 1.8-V power (i.e. VDD, VCC18, and AVCC). The power-down sequence must be completed within 100 ms.

Rise and fall time of each power supply for the power-up and the power-down must be longer than 10  $\mu$ s.

Power supply voltages and reset signal must be applied with monotonic increase.

Do not apply a negative voltage to power supply voltages.

Release the reset signal (RES#) (set it to high) after the clock signal on the EXTAL/XTAL or EXTCLKIN pin has become stable.

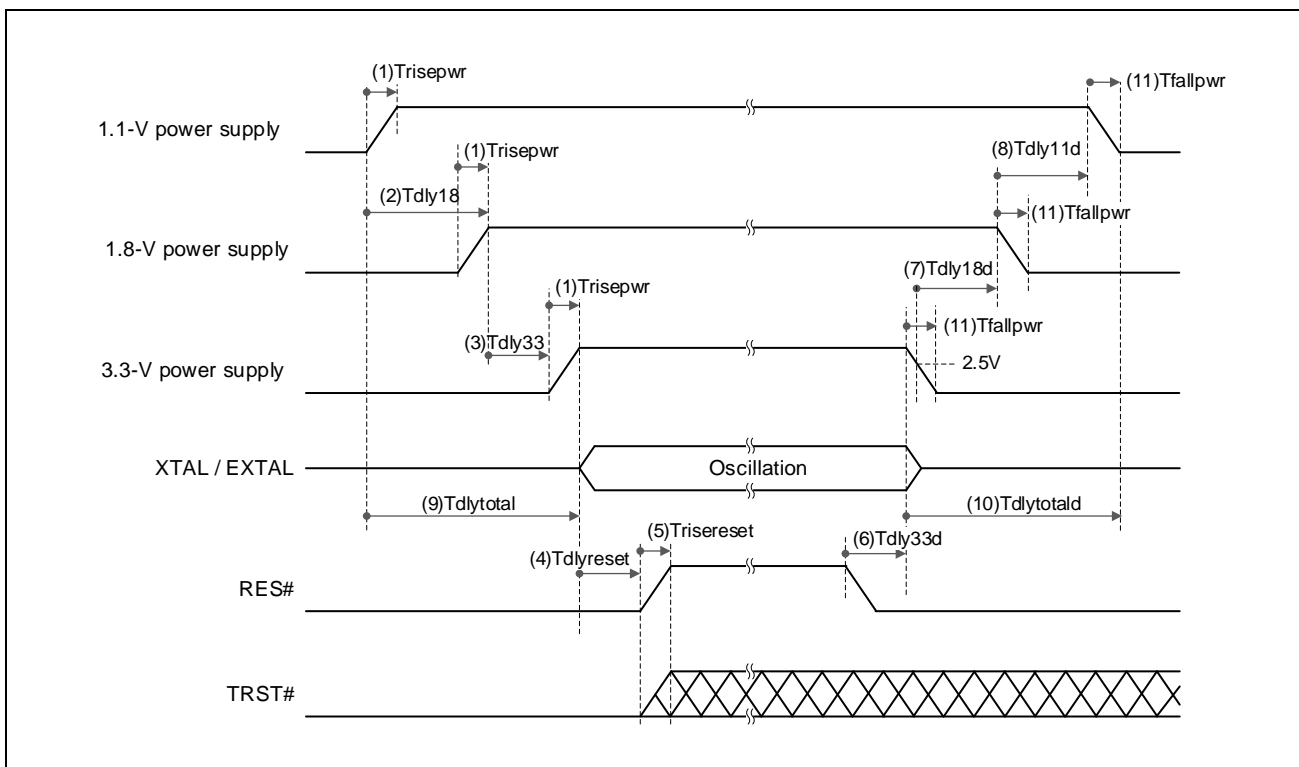


Figure 1.1 Power on/off sequence

Table 1.2 Power on/off sequence timing

No	Symbol	Description	Value		
			Min.	Typ.	Max.
(1)	Trisepwr	Rising time of the power supply voltage	10 $\mu$ s	—	30 ms
(2)	Tdly18	Delay time from start of rising of the 1.1-V power supply voltage to completion of rising of the 1.8-V power supply voltage	0	—	100 ms
(3)	Tdly33	Delay time from completion of rising of the 1.8-V power supply voltage to start of rising of the 3.3-V power supply voltage	0	—	100 ms
(4)	Tdlyreset	Delay time from completion of rising of the 3.3V power supply voltage to start of rising of RES#	10 ms	—	—
		Delay time from completion of rising of the 3.3-V power supply voltage to start of rising of RES# when EXTCLKIN is used.	1 ms	—	—
(5)	Trisereset	Rising time of RES#	—	—	150 $\mu$ s
(6)	Tdly33d	Delay time from start of falling of RES# to start of falling of the 3.3-V power supply voltage	10 $\mu$ s	—	—
(7)	Tdly18d	Delay time from start of falling of the 3.3-V power supply voltage to start of falling of the 1.8-V power supply voltage	0	—	100 ms
(8)	Tdly11d	Delay time from start of falling of the 1.8-V power supply voltage to start of falling of the 1.1-V power supply voltage	0	—	100 ms
(9)	Tdlytotal	Startup time of all power supply voltage	—	—	100 ms
(10)	Tdlytotald	Shut down time of all power supply voltage	—	—	100 ms
(11)	Tfallpwr	Falling time of the power supply voltage	10 $\mu$ s	—	30 ms

### 1.3 Power and Reset Circuits

**Figure 1.2** shows an example reset circuit. This example circuit has a circuit configuration which takes into account debugger connection. **Figure 1.3** shows an example timing chart for the circuit.

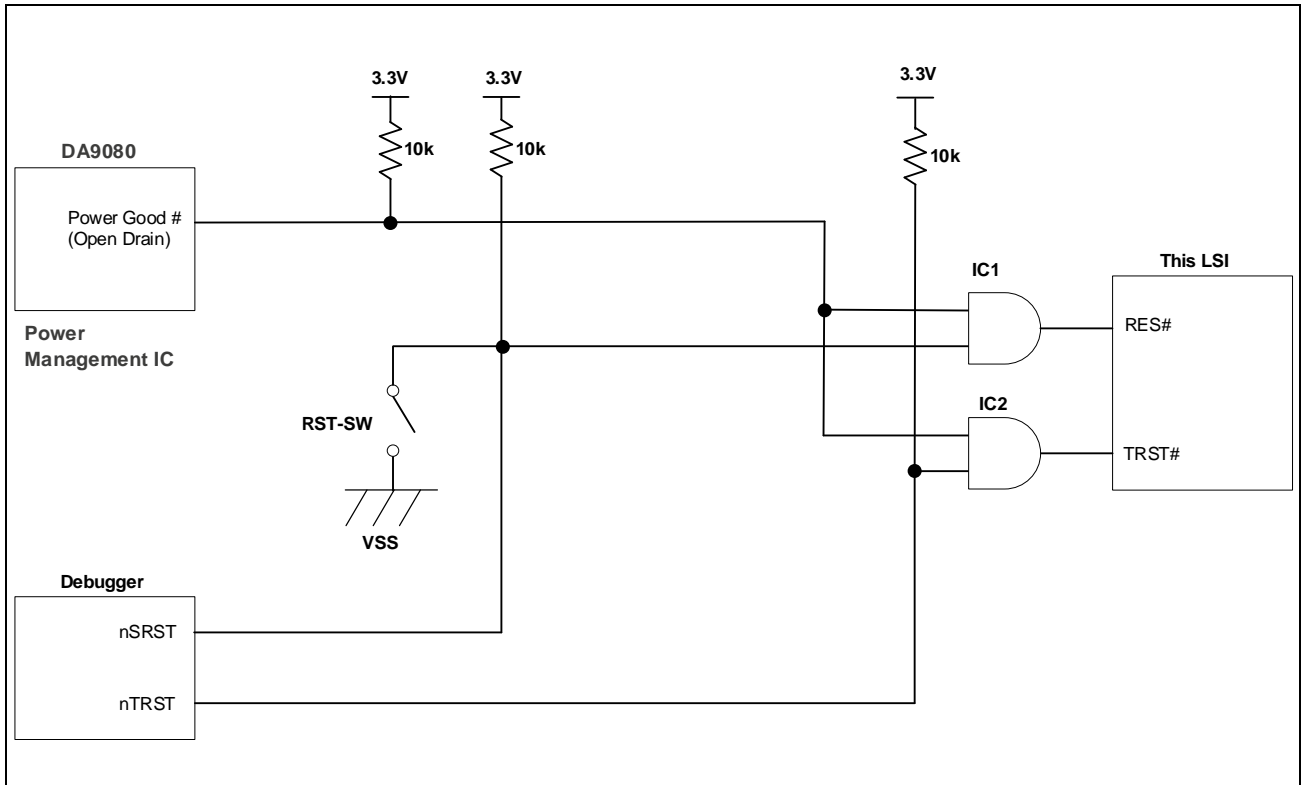


Figure 1.2 Example reset circuit

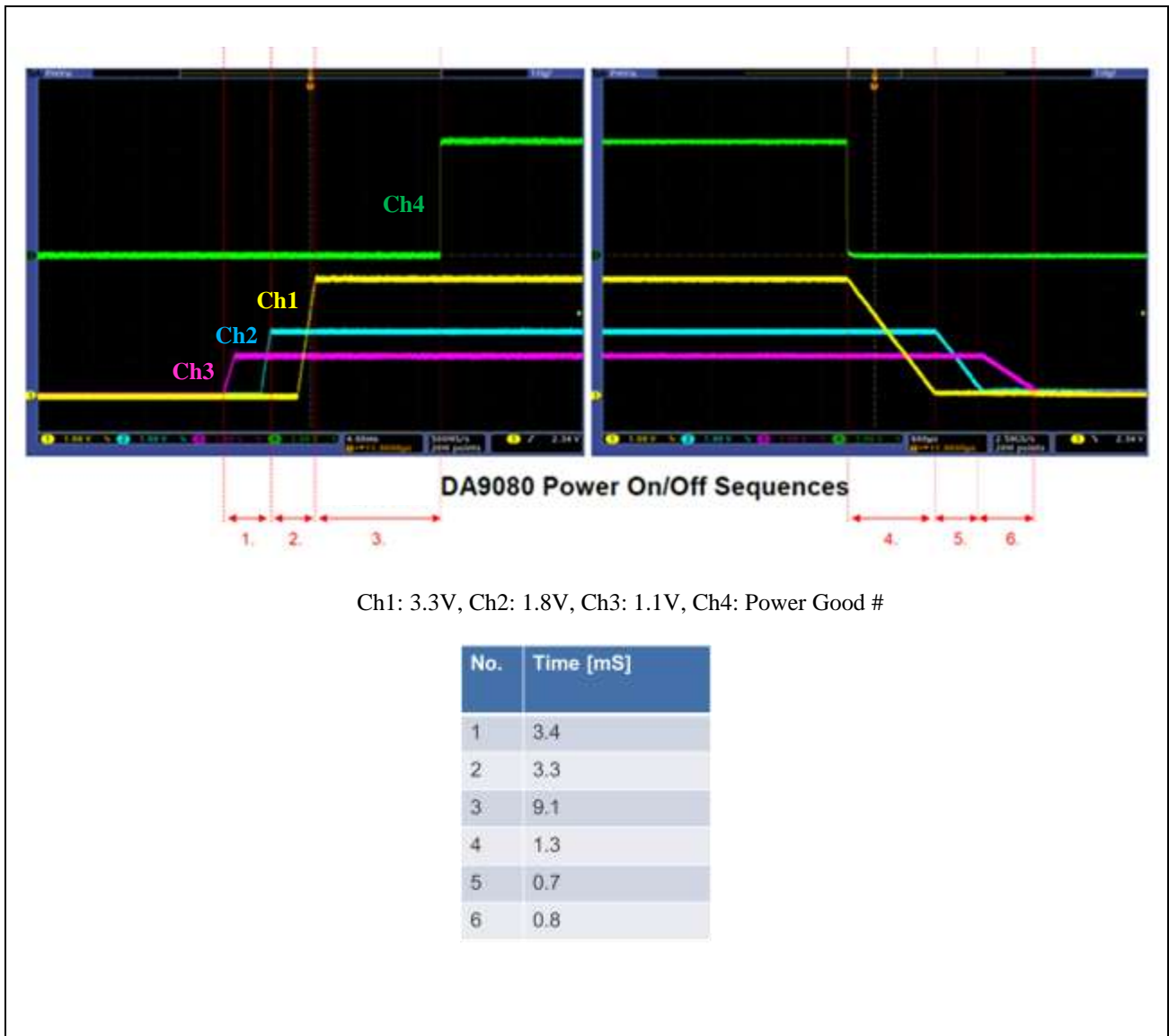


Figure 1.3 Power on/off sequences and reset circuit timing example

The table below lists the recommended product for the power and reset circuits.

Table 1.3 Recommended product list for the power and reset circuits

Type	Product Name	Manufacturing Vendor
PMIC	DA9080-61FCB2	Renesas



## 2. Operating Mode

### 2.1 Overview

This LSI is intended for booting up from an external flash memory or an external interface such as SCI. In the mode for booting up from flash memory, the user program stored in the corresponding external flash memory is booted up and runs. Secure boot mode (in which a user program is protected by encryption) can also be selected for the products that support security functions.

The operating mode pins MDn, MDVn, MDD, and MDW should be mounted such that the hold time of 250 ns is secured after release from the reset (see **Figure 2.1**). Since the mode pins are multiplexed with the peripheral functions of this LSI, care should be taken when mounting them. Especially, when the peripheral functions are for input pins, care is also required for the external signal input.

### 2.2 Boot mode setting (MDn)

One types of operating modes can be selected, depending on the method of connecting to an external flash memory and device. An operating mode is selected based on the input levels of the mode setting pins (MD2, MD1, and MD0) when pin reset (except software reset) is released.

**Table 2.1**, **Table 2.2**, and **Table 2.3** show the relationship between the input levels of the mode setting pins (MD2, MD1, and MD0) at the time reset is released and the selected operating mode. Value of the pins (MD2 to MD0) are latched to the registers when reset is released.

Table 2.1 MDn setting pin setting for RZ/T2M

Mode setting pins			Operating mode
MD2	MD1	MD0	
Low	Low	Low	xSPI0 boot mode (x1 boot serial flash) Boots a program from x1 boot serial flash memory connected to the xSPI0 CS0 space. Supporting voltage (3.3 V or 1.8 V*1)
Low	Low	High	xSPI0 boot mode (x8 boot serial flash) *2 Boots a program from x8 boot serial flash memory such as HyperFlash™ memory connected to the xSPI0 CS0 space. Supporting voltage (3.3 V or 1.8 V*1)
Low	High	Low	16-bit bus boot mode (NOR flash) Boots a program from a NOR flash memory (bus width: 16 bits) connected to the CS0 space.
Low	High	High	32-bit bus boot mode (NOR flash) *3 Boots a program from a NOR flash memory (bus width: 32 bits) connected to the CS0 space.
High	Low	Low	xSPI1 boot mode (x1 boot serial flash) *4 Boots a program from x1 boot serial flash memory connected to the xSPI1 CS0 space. Supporting voltage (3.3 V or 1.8 V*5)
High	Low	High	SCI (UART) boot mode Boots a program from host PC through UART communication connected to the SCI0. For flash writer use.
High	High	Low	USB boot mode Boots a program from host PC through USB. For flash writer use.
High	High	High	Reserved (setting prohibited)

Note 1. 1.8 V is supported on 320 FBGA and 225 FBGA.

Note 2. This boot mode is not supported on 176 and 128 LQFP.

Note 3. This boot mode is not supported on 128 LQFP.

Note 4. This boot mode is not supported on 225 FBGA.

Note 5. 1.8 V is supported on 320 FBGA only.

Table 2.2 MDn setting pin setting for RZ/N2L

Mode setting pins			Operating mode
MD2	MD1	MD0	
Low	Low	Low	xSPI0 boot mode (x1 boot serial flash) Boots a program from x1 boot serial flash memory connected to the xSPI0 CS0 space. Supporting voltage (3.3 V or 1.8 V*1)
Low	Low	High	xSPI0 boot mode (x8 boot serial flash) *2 Boots a program from x8 boot serial flash memory such as HyperFlash memory connected to the xSPI0 CS0 space. Supporting voltage (3.3 V or 1.8 V)
Low	High	Low	16-bit bus boot mode (NOR flash) *2 Boots a program from a NOR flash memory (bus width: 16 bits) connected to the CS0 space.
Low	High	High	Serial host interface boot mode Boots a program downloaded from an external host CPU connected to SHOSTIF. Supporting voltage (3.3 V or 1.8 V*1)
High	Low	Low	Parallel host interface boot mode*2 Boots a program downloaded from an external host CPU connected to PHOSTIF.
High	Low	High	SCI (UART) boot mode Boots a program from host PC through UART communication connected to the SCI0. For flash writer use.
High	High	Low	USB boot mode*2 Boots a program from host PC through USB. For flash writer use.
High	High	High	xSPI1 boot mode (x1 boot serial flash) *2 Boots a program from x1 boot serial flash memory connected to the xSPI1 CS0 space. Supporting voltage (3.3 V or 1.8 V)

Note 1. 1.8 V is supported on 225 FBGA.

Note 2. This boot mode is not supported on 121 FBGA.

Table 2.3 MDn setting pin setting for RZ/T2L

Mode setting pins			Operating mode
MD2	MD1	MD0	
Low	Low	Low	Boots a program from x1 boot serial flash memory connected to the xSPI0 CS0 space. Supported voltage (3.3 V or 1.8 V)
Low	Low	High	xSPI0 boot mode (x8 boot serial flash) Boots a program from x8 boot serial flash memory such as HyperFlash memory connected to the xSPI0 CS0 space. Supported voltage (3.3 V or 1.8 V)
Low	High	Low	16-bit bus boot mode (NOR flash) Boots a program from a NOR flash memory (bus width: 16 bits) connected to the CS0 space.
Low	High	High	Serial host interface boot mode Boots a program downloaded from an external host CPU connected to SHOSTIF. Supported voltage (3.3 V)
High	Low	Low	xSPI1 boot mode (x1 boot serial flash) Boots a program from x1 boot serial flash memory connected to the xSPI1 CS0 space.
High	Low	High	SCI (UART) boot mode Boots a program from host PC through UART communications connected to SCI0. For flash writer use.
High	High	Low	USB boot mode Boots a program from host PC through USB. For flash writer use.
High	High	High	Reserved (setting prohibited)

## 2.3 Operating voltage of I/O domain (MDVn)

As shown in **Table 1.1**, this LSI has five power supply domains (VCC1833\_0 to VCC1833\_4) in addition to the 3.3-V fixed power supply, and 3.3V or 1.8V can be selected according to the intended use.

**Table 2.4** to **Table 2.6** show the lists of MDVn voltage setting pins. Set the input level of MDV4 to MDV0 according to the voltage setting of each power supply domain (I/O domain 0 to 4). Otherwise, it may cause malfunctions or permanent damage to the device.

Table 2.4 List of MDVn pins for RZ/T2M

I/O Voltage Setting pins	Power Voltage	Operating voltage of I/O domain *1		Pin number		Pin name
		320 FBGA	225 FBGA	320 FBGA	225 FBGA	
MDV0	VCC1833_0	1.8V or 3.3V	1.8V or 3.3V	C11	B9	P20_1 / ETHSW_TDMAOUT0 / ESC_LINKACT0
MDV1	VCC1833_1	1.8V or 3.3V	1.8V or 3.3V	A10	D8	P20_2 / ETHSW_TDMAOUT1 / ESC_LEDRUN / ESC_LEDSTER / DE3
MDV2	VCC1833_2	1.8V or 3.3V	1.8V or 3.3V	C9	D9	P20_3 / ETHSW_TDMAOUT2 / ESC_LEDERR
MDV3	VCC1833_3	1.8V or 3.3V	1.8V or 3.3V	B10	A9	P20_4 / ETHSW_TDMAOUT3 / ESC_LINKACT1
MDV4	VCC1833_4	1.8V or 3.3V	3.3V*2	D20	B15	P19_0 / USB_VBUSEN

Note 1. The 176 LQFP and 128 LQFP products do not have I/O domains and operating IO voltage is fixed to 3.3 V.

Note 2. The 225 FBGA products have MDV4 pin, but the operating I/O voltage is fixed to 3.3 V regardless of the MDV4 value.

Table 2.5 List of MDVn pins for RZ/N2L

I/O Voltage Setting pins	Power Voltage	Operating voltage of I/O domain		Pin number		Pin name
		225 FBGA	121 FBGA	225 FBGA	121 FBGA	
MDV0	VCC1833_0	1.8V or 3.3V	3.3V*1	B9	B9	P20_1 / ETHSW_TDMAOUT0 / ETHSW_PTPOUT3 / ESC_LINKACT0
MDV1	VCC1833_1	1.8V or 3.3V	1.8V or 3.3V	D8	B8	P20_2 / ETHSW_TDMAOUT1 / ETHSW_PTPOUT2 / ESC_LEDRUN / ESC_LEDSTER / DE3
MDV2	VCC1833_2	1.8V or 3.3V	1.8V or 3.3V	D9	C8	P20_3 / ETHSW_TDMAOUT2 / ETHSW_PTPOUT1 / ESC_LEDERR
MDV3	VCC1833_3	1.8V or 3.3V	3.3V*1	A9	A10	P20_4 / ETHSW_TDMAOUT3 / ETHSW_PTPOUT0 / ESC_LINKACT1
MDV4	VCC1833_4	1.8V or 3.3V	3.3V*2	B15	—	P19_0 / USB_VBUSEN

Note 1. The 121 FBGA products have MDV0 and MDV3 pin, but the operating I/O voltage is fixed to 3.3 V regardless of the MDV0 and MDV3 value.

Note 2. The 121 FBGA products do not have MDV4 pin and operating IO voltage is fixed to 3.3 V.

Table 2.6 List of MDVn pins for RZ/T2L

I/O Voltage Setting pins	Power Voltage	Operating voltage of I/O domain	Pin number	Pin name
		196 FBGA	196 FBGA	
MDV2	VCC1833_2	1.8V or 3.3V	C8	P20_3 / GMAC_PTPOUT1 / MDV2 / ESC_LEDERR / CANTX1
MDV3	VCC1833_3	1.8V or 3.3V	B3	P20_4 / GMAC_PTPOUT0 / MDV3 / ESC_LINKACT1

**Table 2.7** shows the selection of operating voltage of I/O domain 0 to 4. Value of the pins (MDV4 to MDV0) are latched to the registers when reset is released. Depending on the selected I/O domain voltage, add a pull-up or pull-down resistor to the MDVn pin. Do not change the signal level of this pin during the transition of the operation mode after reset release.

Table 2.7 Selection of operating voltage of I/O domain 0 to 4 (MDV4 to MDV0)

Operation voltage of I/O domain n VCC1833_n (n = 0 to 4)	MDVn (n = 0 to 4)
1.8V	Low (Place a pull-down resistor between MDVn and VSS)
3.3V	High (Place a pull-up resistor between MDVn and VCC33)

An appropriate voltage level ( $V_{IH33}$ ,  $V_{LI33}$ ) that satisfies **Table 2.8** must be input to the MDVn pin, and it must satisfy the mode hold time shown in **Table 2.9**, until the operation mode transition is completed after the reset is released.

**Figure 2.1** shows the timing of mode setting voltage input on the MDVn pin.

Table 2.8 Input level voltage

Item	Symbol	Condition	Min	Typ	Max	Unit
Input High-level voltage	$V_{IH33}$		2.0	—	$VCC+0.3$	V
Input Low-level voltage	$V_{IL33}$		-0.3	—	0.8	

Table 2.9 Mode hold time

Parameter	Symbol	Condition	Min	Typ	Max	Unit
Mode hold time (From RES#)	$t_{MDH}$		250	—	—	ns

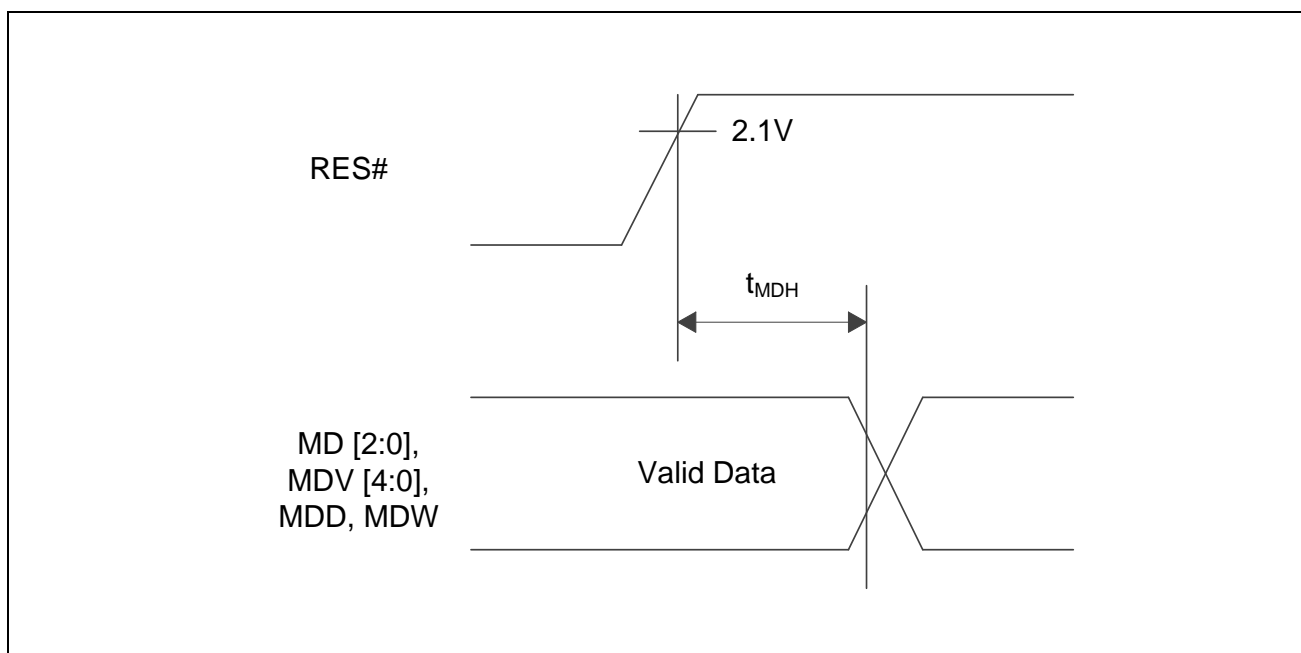


Figure 2.1 Mode input timing

### 2.3.1 Example of multiplexing the pins as LED

As shown in **Table 2.4** to **Table 2.6**, the MDV0 to MDV3 pins are also used as LED pins for EtherCAT.

Therefore, when designing a circuit configuration that uses EtherCAT, the LED control circuit must be considered the MDVn mode transition time and MDVn input voltage when reset is released. Even if EtherCAT is not used, be careful of the MDVn input level when reset is released when using the MDVn pin in a mode other than the operation mode setting.

#### (1) Example of MDVn circuit for Low setting

**Figure 2.2** shows an example of MDVn.circuit for Low setting. The mode setting voltage of the MDVn pin is input between the pull-down resistor R2. When the mode transition is completed and the main program starts, LED1 is controlled.

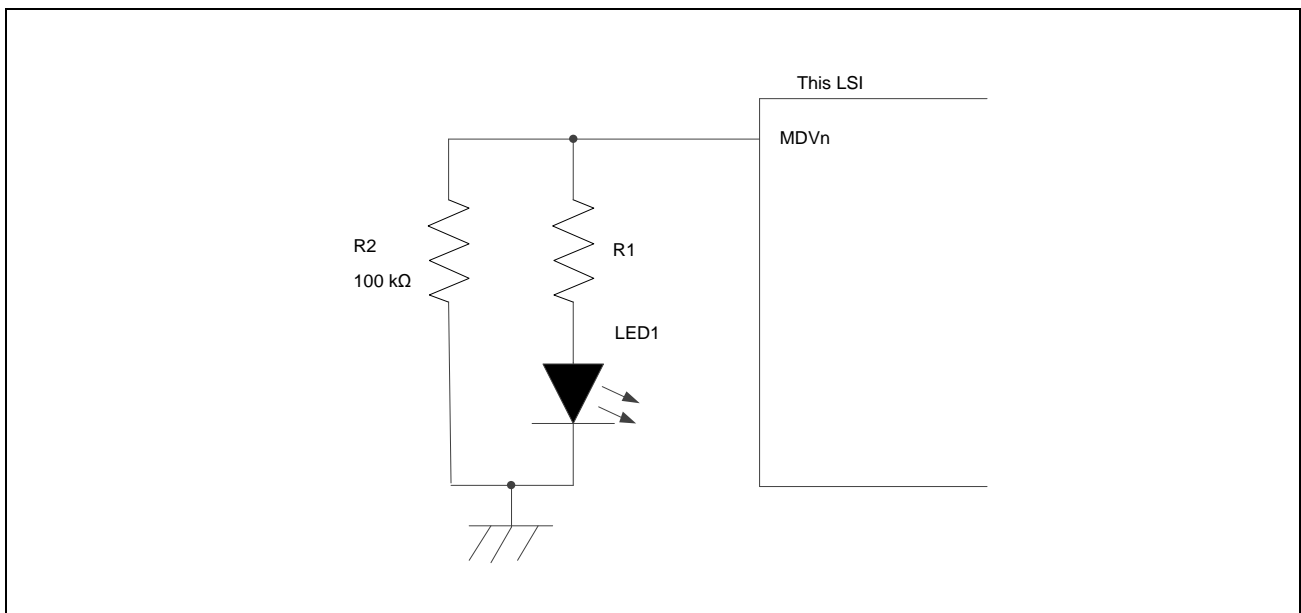


Figure 2.2 Example of the circuit for MDVn = Low (1.8 V) setting

**(2) Example of MDVn circuit for High setting**

**Figure 2.3** shows an example MDVn circuit for High setting, and **Figure 2.4** shows an example timing chart for this circuit example. In this circuit example, during reset (RESET# = Low), SPDT (Single Pole Double Throw) switch S1 is on, S2 is off, and MDVn is pulled high by pull-up resistor R3.

When the reset is released, after a hold time tMDH of 250 ns (minimum) or more is secured by the tMDH time constant of R6 and Cd, S1 turns off, S2 turns on, and the MDVn terminal switches to the LED circuit side. R5 is optional.

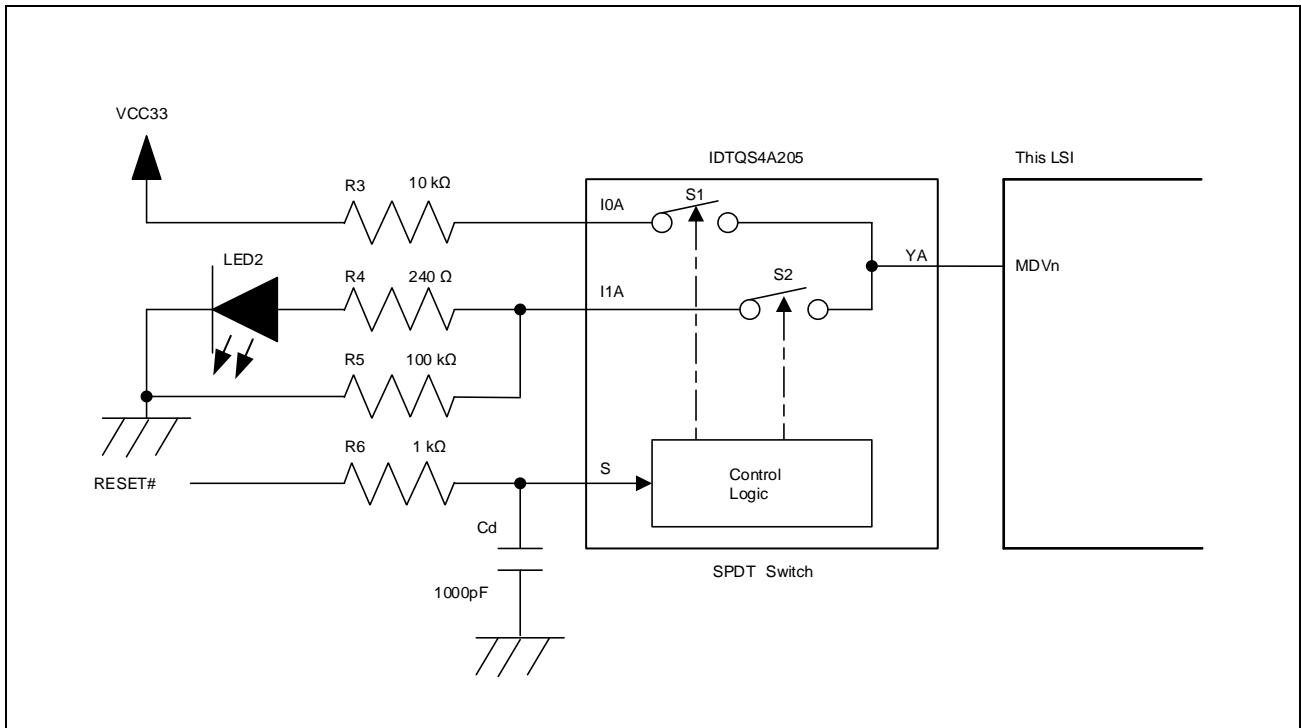


Figure 2.3 Example of the circuit for MDVn = High (3.3 V) setting

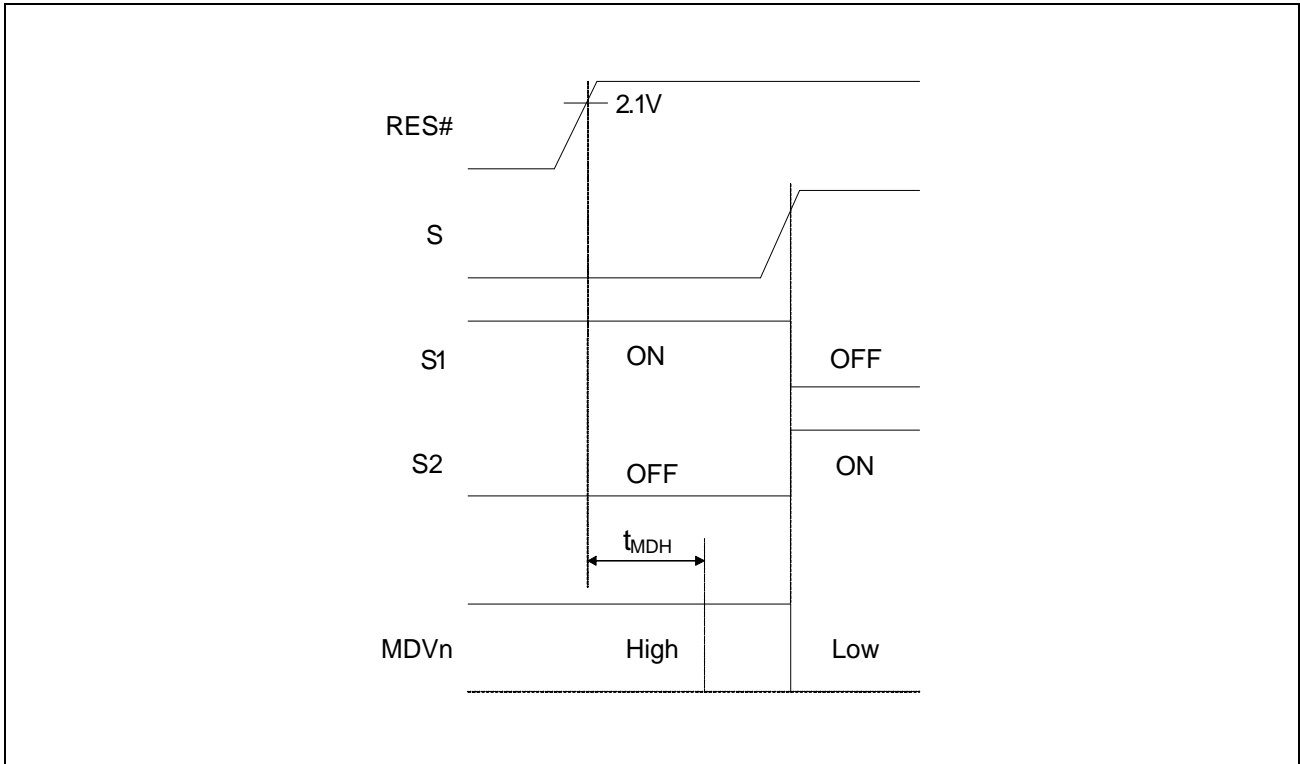


Figure 2.4 MDVn circuit timing chart for MDVn = High setting

## 3. Oscillator Circuit

### 3.1 Clock Pins

RZ/T2M, RZ/N2L, and RZ/T2L have some method of inputting an external clock and a method of connecting a crystal oscillator as a main clock oscillator.

**Table 3.1** shows pins to which a crystal resonator can be connected to, or a clock as input, and their frequencies. Using EtherCAT requires satisfying the accuracy of  $\pm 25\text{ppm}$ .

Table 3.1 Clock Pins

Xin Pin	Xout Pin	Description	Conditions	Frequency
EXTAL	XTAL	EXTAL clock input frequency	—	25.00 MHz $\pm$ 50ppm
			EtherCAT in use	25.00 MHz $\pm$ 25ppm



## 3.2 Example of External Clock Connection

**Figure 3.1** shows an example of connection of external clock input. Connect EXTAL to VSS via a resistor and leave XTAL open. If a crystal oscillator is used, it should be placed as close as possible to the EXTCLKIN pin. The GND traces used for shielding should be at least 0.3 mm wide and there should be a space of 0.3 mm to 2.0 mm between them and adjacent traces.

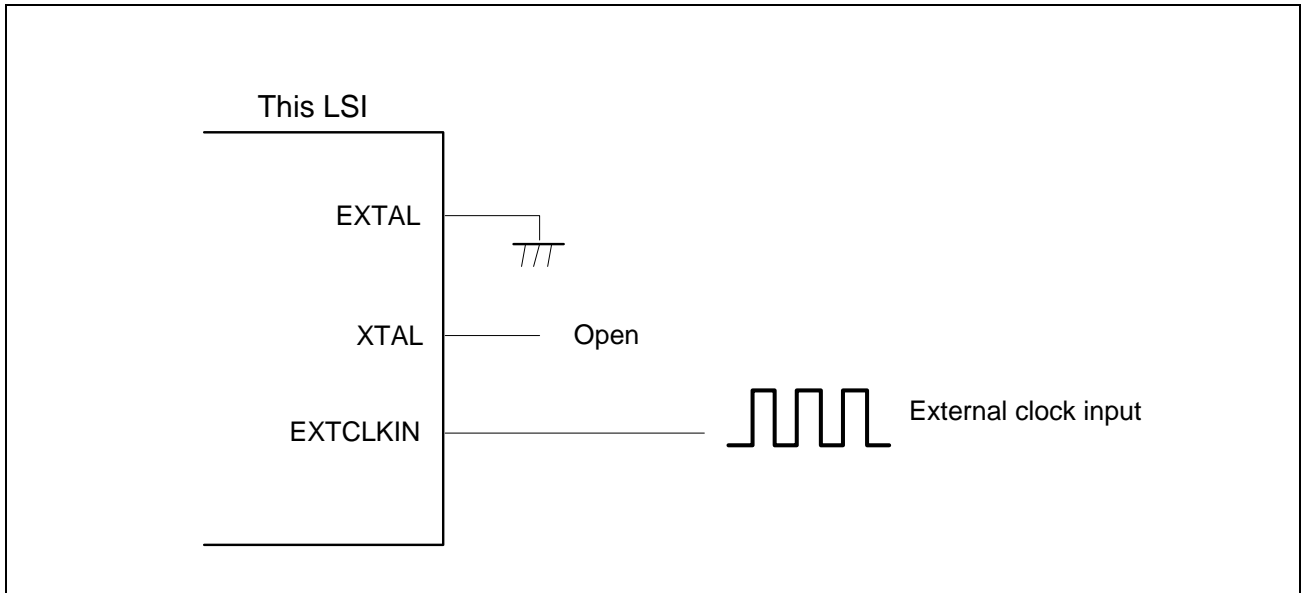


Figure 3.1 Example of external clock connection

### 3.3 Example of Crystal Oscillator Connection

Figure 3.2 shows an example of crystal oscillator connection.

When using a crystal oscillator, the signal amplitude is as small as 1.1 V, which increases susceptibility to the effects of environmental temperature and noise, so take special care with the layout.

It is recommended that preproduction printed-circuit board (PCB) designs include the two optional resistors  $R_f$  and  $R_d$  in case they are required for proper oscillator operation when combined with crystal circuit components.

The RZ/T2M, RZ/N2L and RZ/T2L group LSI's have a built-in feedback resistor  $R_{if}$ , so basically there is no need to mount an external feedback resistor  $R_f$ . Also,  $0\ \Omega$  is recommended for the limiting resistance  $R_d$ , so it is not necessary to implement it on the PCB.

However, depending on crystal oscillator characteristics, an optional external resistor ( $R_d$  or  $R_f$ ) may be required.

Also, the CL1 and CL2 constants shown in Figure 3.2 are reference values, and the optimum values differ depending on the crystal oscillator characteristics.

Therefore, if you need the optimum oscillator circuit constants for your system, please contact your crystal oscillator manufacturer.

Finally, these resistors may be removed from production PCB designs after evaluating oscillator performance with production crystal circuit components installed on preproduction PCBs.

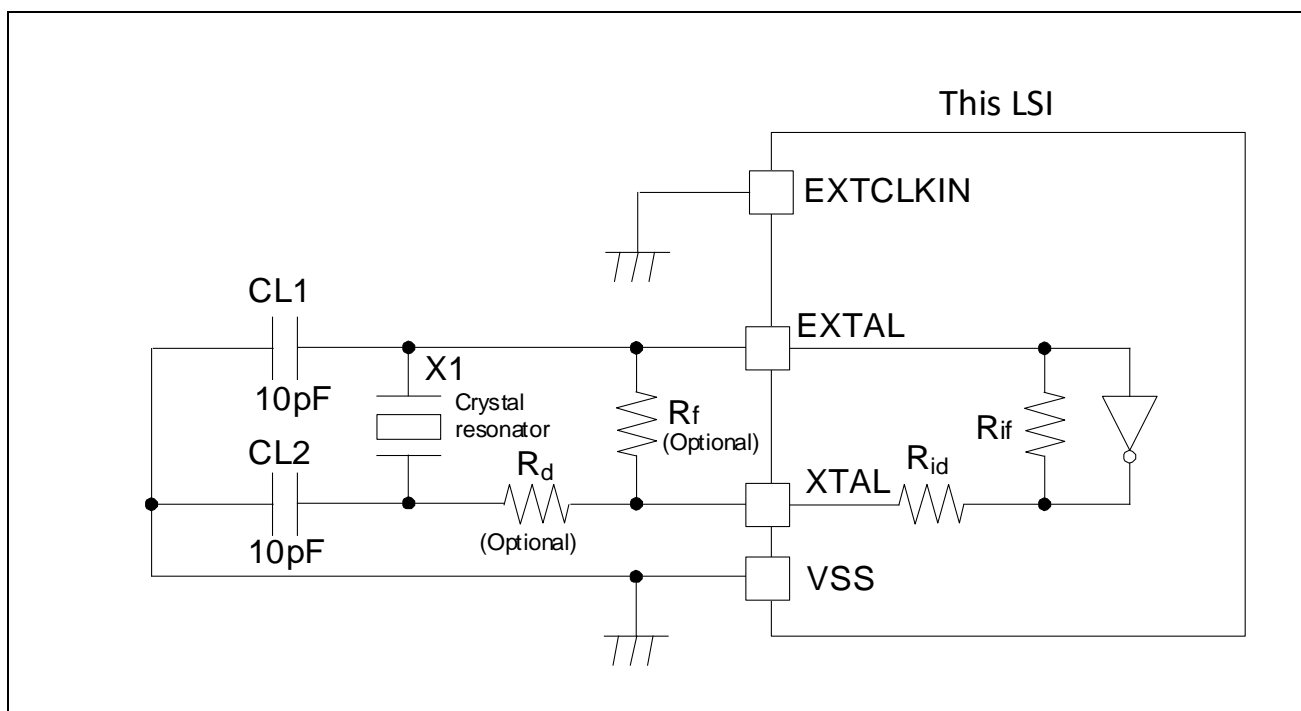


Figure 3.2 Example of crystal oscillator connection

### 3.3.1 Example of PCB Layout

This section shows a PCB layout example of the crystal oscillator peripheral circuit.

If noise enters the clock I/O pins, the clock waveforms may become distorted, possibly causing an MCU malfunction or program runaway.

In addition, accurate clock signals cannot be input to the MCU if there is a potential difference between the VSS inputs to the MCU and oscillators.

**Figure 3.3** shows an example PCB layout Layer1 for the crystal connection.

Please note the following points:

- The crystal resonator and capacitors CL1 and CL2 should be placed as close as possible to the Xin (EXTAL) pin and the Xout (XTAL) pin.
- To avoid inductance and to oscillate properly, use a common grounding point for the resonator and additional capacitors, and do not place wiring patterns near these parts.
- Shield the wiring pattern for the clock I/O pins with the GND pattern of the crystal resonator and do not arrange the traces for the clock I/O pins in parallel with or across other traces that have large current flows or rapid level changes.
- The GND traces used for shielding should be at least 0.3 mm wide and there should be a space of 0.3 mm to 2.0 mm between them and adjacent traces.

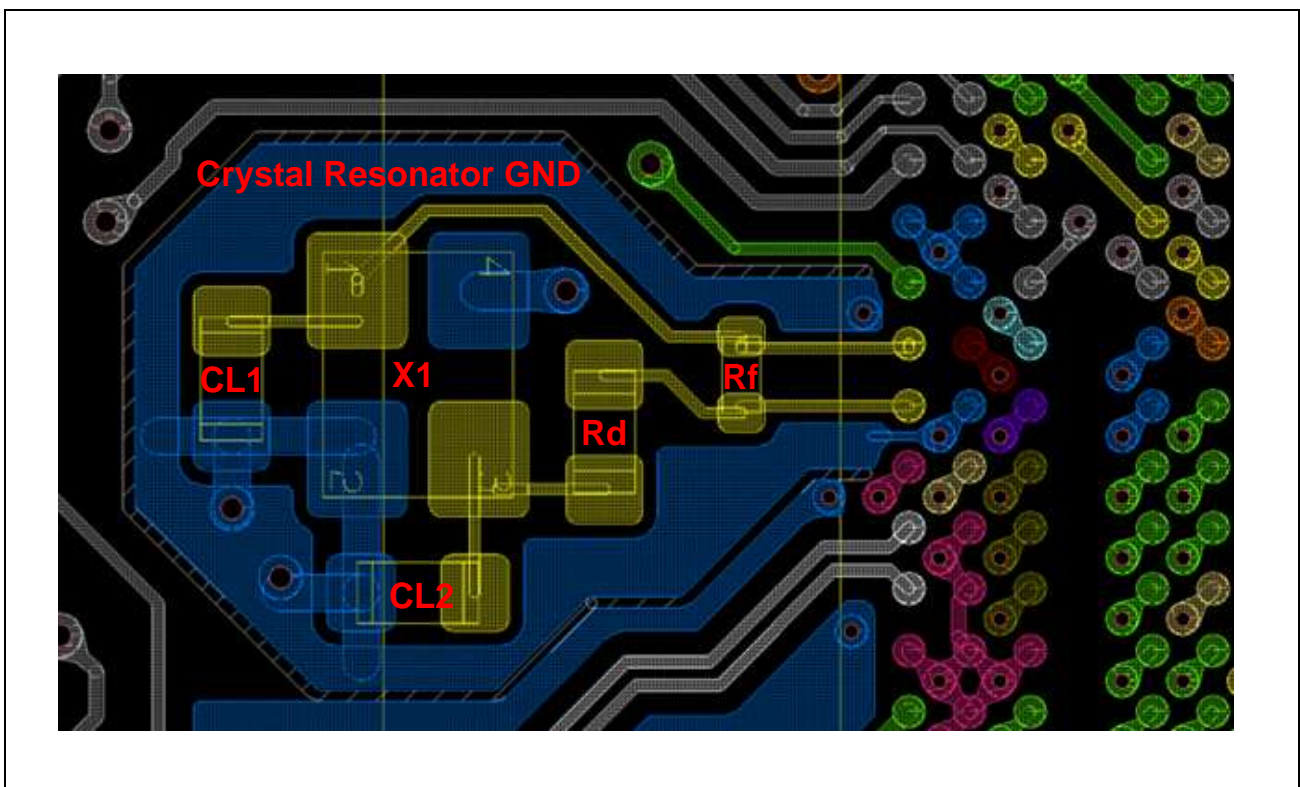


Figure 3.3 Example layout of the first layer (Layer1) of the PCB

**Figure 3.4** shows a layout example of the second layer (Layer2) of the PCB.

Pattern wiring to other layers in the area where the crystal oscillator peripheral circuit is arranged is prohibited because it affects other GND and signals. Be sure to make the second layer of the crystal oscillator peripheral circuit the GND of the crystal oscillator peripheral circuit. Also, it is recommended that the third layer be a digital GND (DGND).

- Separate the oscillator circuit GND from the digital GND(DGND).
- Connect the oscillation circuit GND at one point with the GND near the LSI.

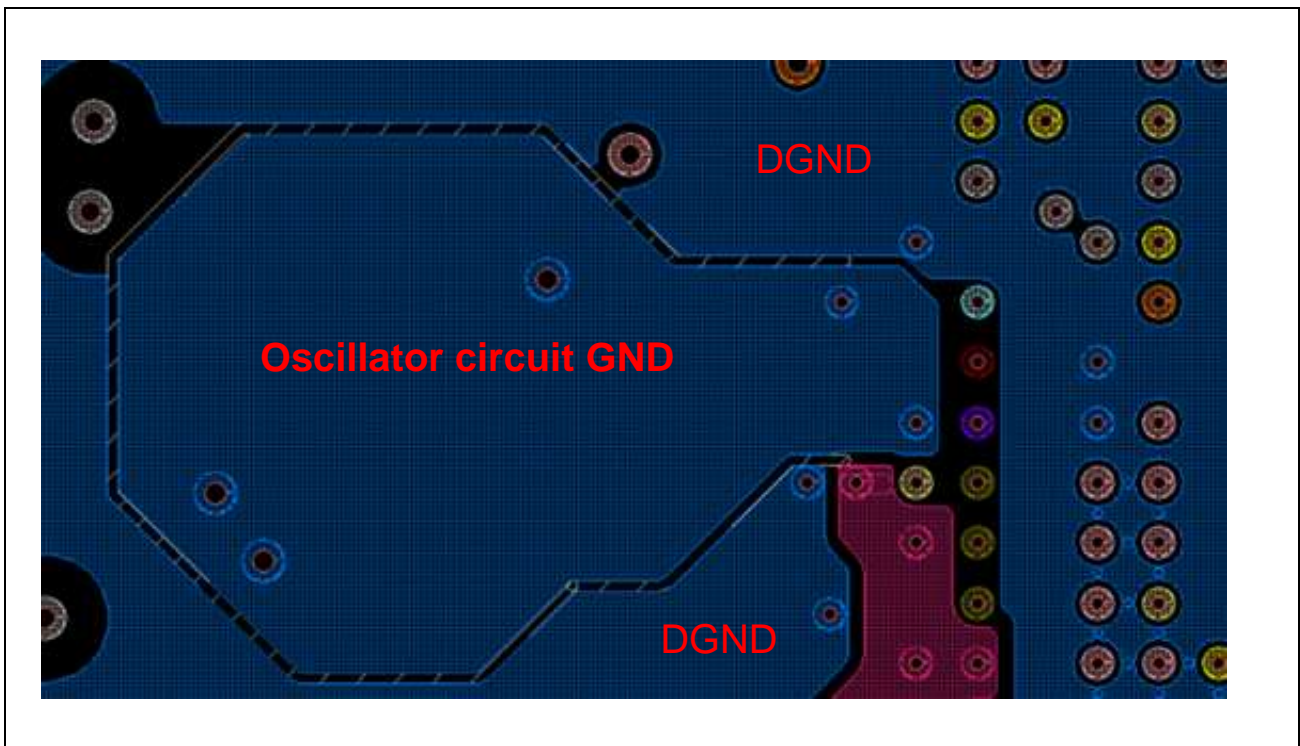


Figure 3.4 Example layout of the second layer (Layer2) of the PCB

**Figure 3.5** shows an example of the third layer of the PCB. The third layer is DGND, but the through-holes for the oscillation circuit GND are separated so that they do not become a common GND.

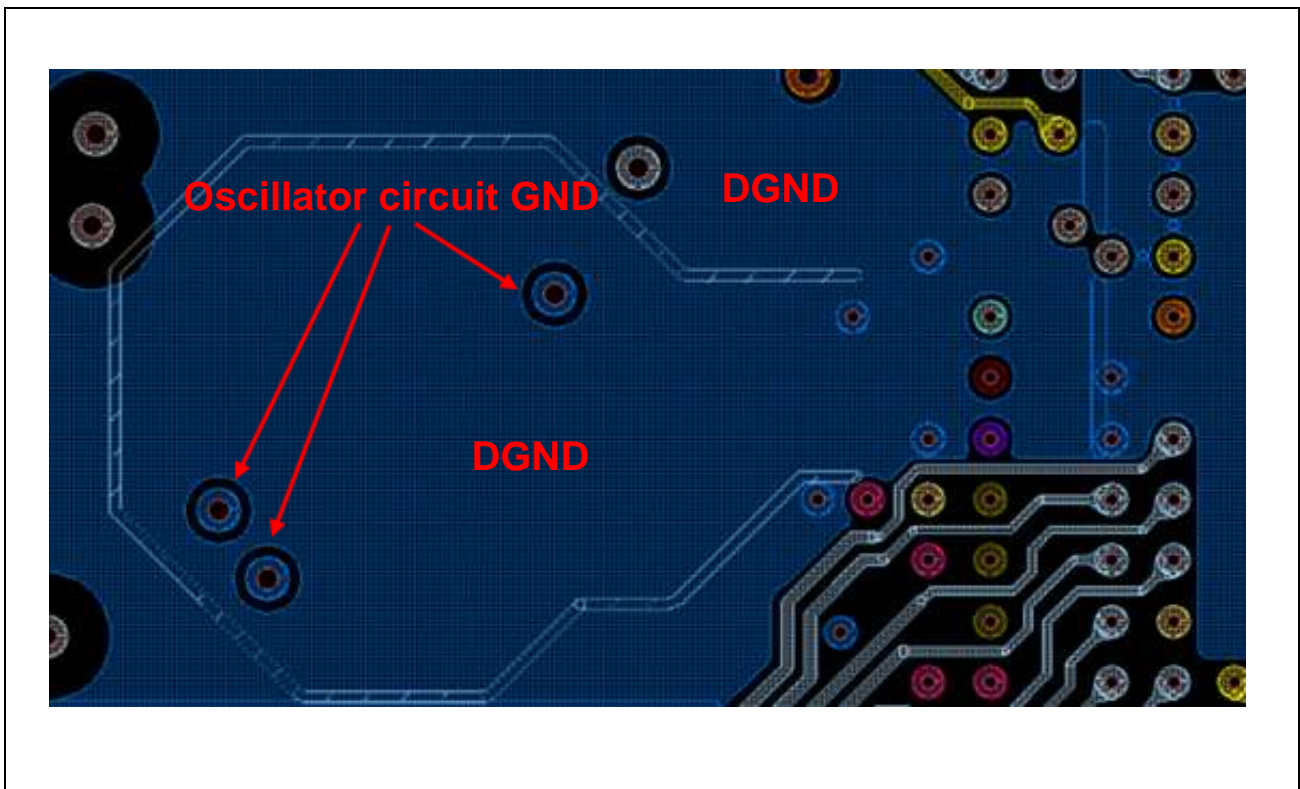


Figure 3.5 Example layout of the third layer (Layer3) of the PCB

## 4. Flash Memory

Booting will fail if booting of the LSI does not coincide with the operating mode of flash memory. This section describes the points which should be taken into account for connection with flash memory.

### 4.1 xSPI n (n = 0, 1) boot mode (x1boot serial flash mode)

RZ/T2M, RZ/N2L, and RZ/T2L group LSIs. has an xSPI controller built-in and is designed so that external serial flash can be booted in either xSPI0 boot or xSPI1 boot (x1 boot serial flash) mode. At startup, the serial flash is accessed in protocol mode 1S-1S-1S and the system software is reset. See **Table 2.1** to **Table 2.3** for this boot mode setting.

After the reset is released, processing is executed immediately after boot processing starts in xSPI n (n = 0, 1) boot mode (x1 boot serial flash) until the loader parameters are transferred.

#### NOTE

At x1 boot serial flash mode, if the serial flash protocol mode is switched from 1S-1S-1S to another mode by the application program, it is necessary to pay attention to the serial flash protocol mode setting after reset. If only this LSI is reset, then serial flash cannot receive the 1S command at boot time and cannot boot normally. We will explain the countermeasures below.

### 4.1.1 For serial flash with hardware reset

When changing the serial flash protocol mode to other than 1S-1S-1S by application program, implement the following software and hardware countermeasures.

- (1) Switch the serial flash protocol mode to 1S-xx-xx (the command is 1S mode) before software reset.
- (2) Apply a hardware reset to the serial flash when the system is reset.

**Figure 4.1** shows a connection example of a Quad serial flash with a reset pin. A hardware reset to the Quad serial flash will also reset the protocol mode setting for the quad serial flash.

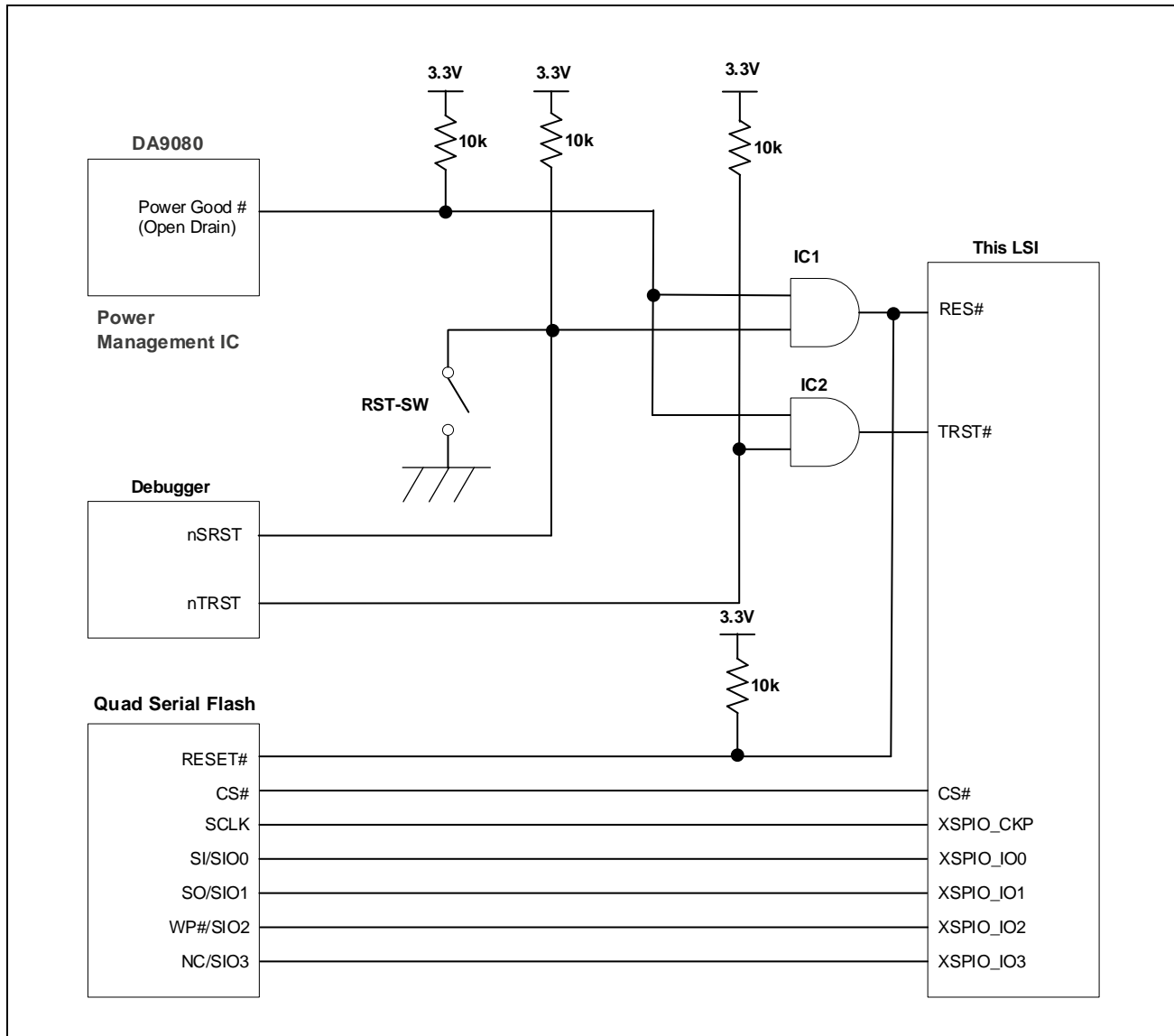


Figure 4.1 Connection example of Quad serial flash with reset pin

### 4.1.2 For serial flash without hardware reset

When using serial flash memory without a hardware reset pin, if this LSI is reset after the serial flash protocol setting has been changed from 1S-1S-1S protocol to another protocol mode by the user program, the protocol mode of the boot program does not coincide with the protocol mode of the serial flash memory, which causes a boot error. To avoid this, take the following measures:

- (1) Leave the protocol mode of the serial flash as 1S-1S-1S.
- (2) Use 1S-xxxx (command is 1S).

**Figure 4.2** shows a connection example of a Quad serial flash without a reset pin.

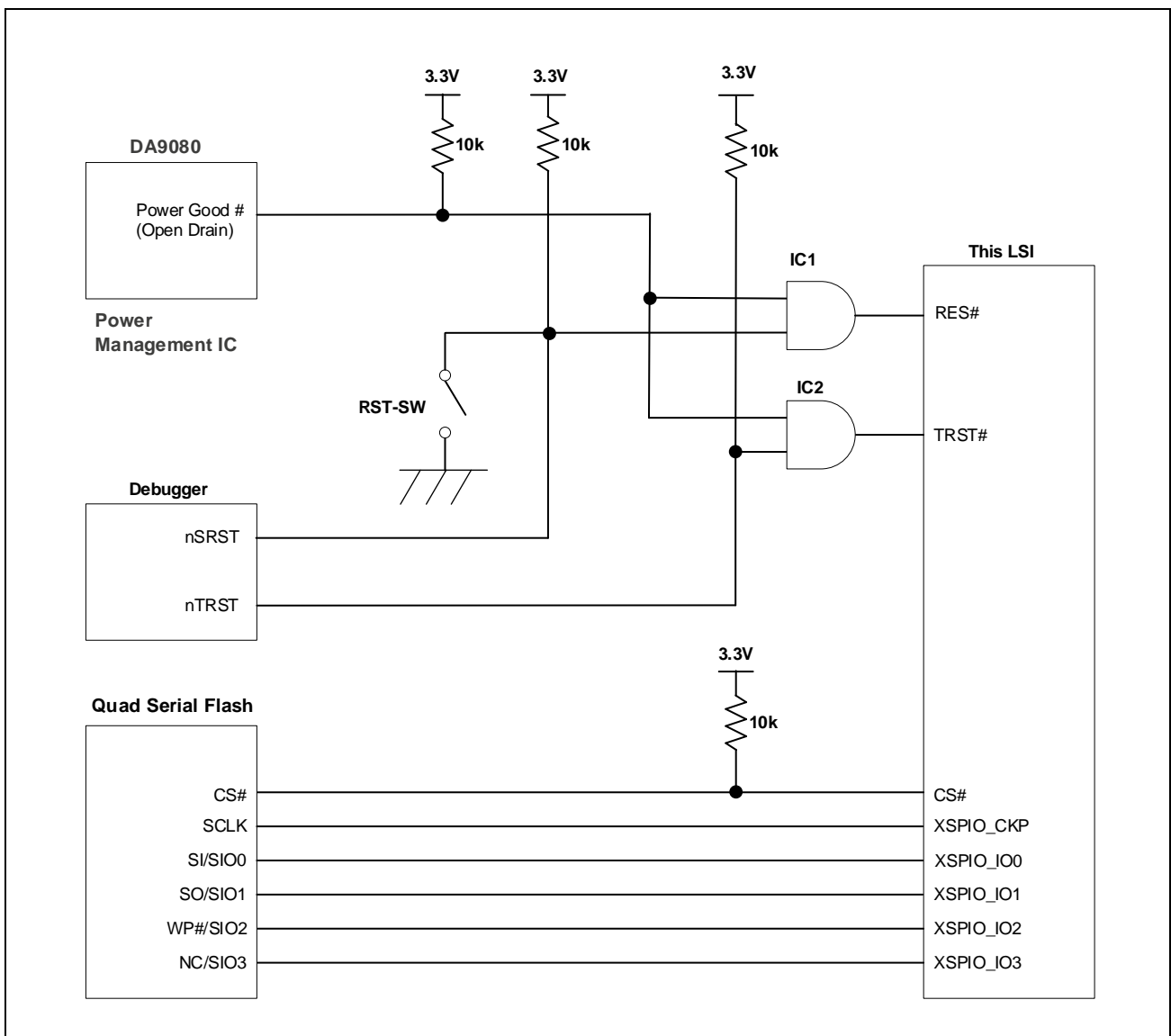


Figure 4.2 Connection example of Quad serial flash without reset pin



## 4.2 xSPI0 boot mode (x8 boot serial flash mode)

Figure 4.3 shows a connection example for x8 boot serial flash.

In xSPI0 boot (x8 boot serial flash) mode, the serial flash is accessed in protocol mode 8D-8D-8D profile 2.0 at boot time, and hardware reset is performed by the XSPIO\_RESET#0 pin. See Table 2.1 to Table 2.3 for this boot mode setting.

### NOTE

Data is read from HyperFlash with a read latency cycle of 10 at the time of booting. Use HyperFlash with a read latency cycle of 10.

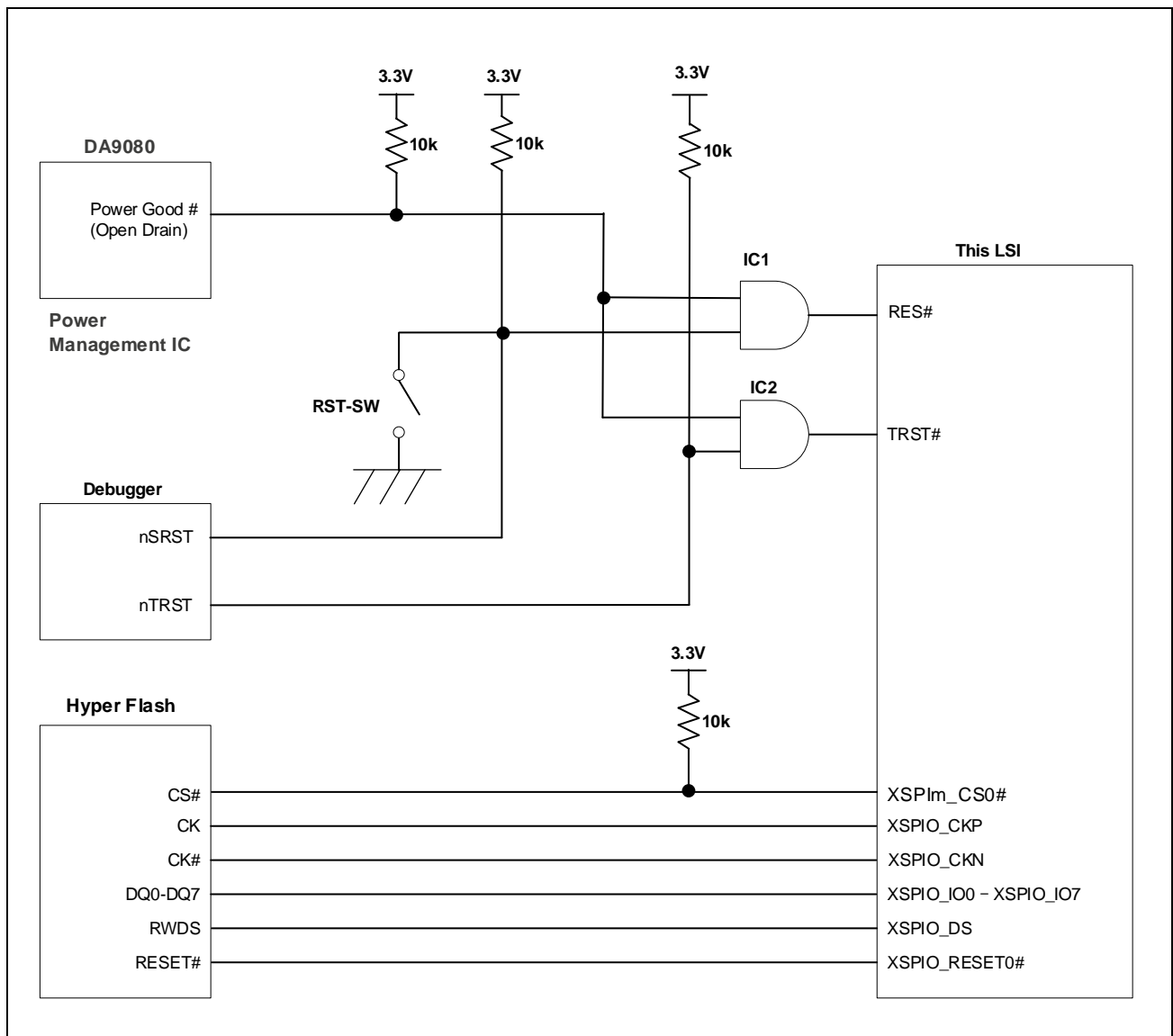


Figure 4.3 Connection example for x8 boot serial flash

## 5. Ethernet

### 5.1 Ethernet PHY

The media independent interface (MII) is used for connection between the LSI of this group and Ethernet PHY.

In this LSI, three interfaces are available: MII supporting 10 Mbps and 100 Mbps, RMII with reduced number of signals, and RGMII supporting gigabit Ethernet.

Depending on the selected MII mode, the power voltage of VCC1833 must be switched. **Table 5.1** lists the MII modes and VCC1833 voltage settings.

Table 5.1 MII Modes and VCC1833 Voltage Settings

I/O Domain	Power Domain	MII / RMII	RGMII
ETH0	VCC1833_0	3.3V	1.8V
ETH1	VCC1833_1	3.3V	1.8V
ETH2	VCC1833_2	3.3V	1.8V

Figure 5.1 shows an example of MII connections with Ethernet PHY.

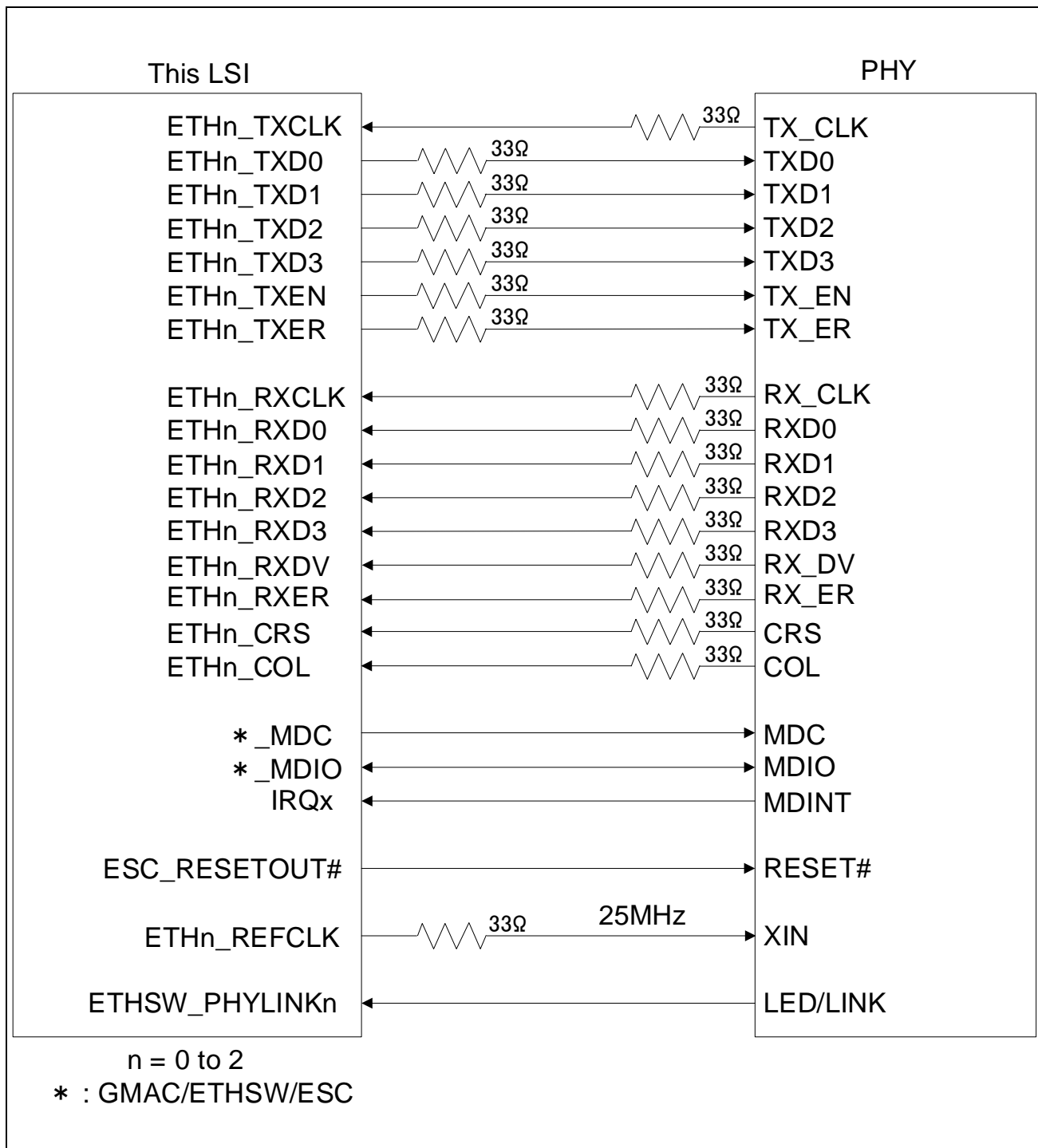


Figure 5.1 Example of MII connections with Ethernet PHY

Figure 5.2 shows an example of RGMII connections with Ethernet PHY.

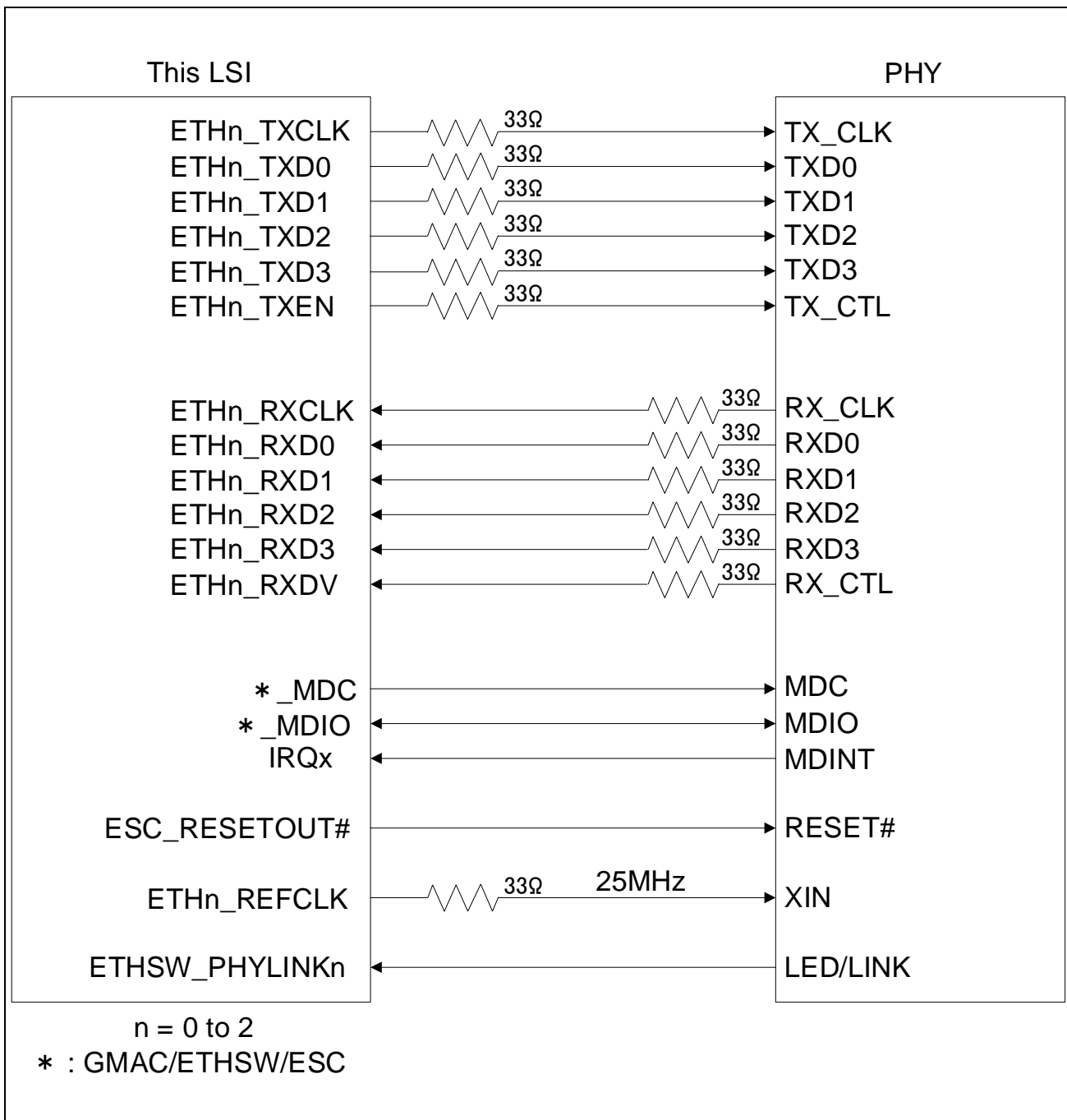


Figure 5.2 Example of RGMII connections with Ethernet PHY

Figure 5.3 and Figure 5.4 show examples of RMI connections with Ethernet PHY.

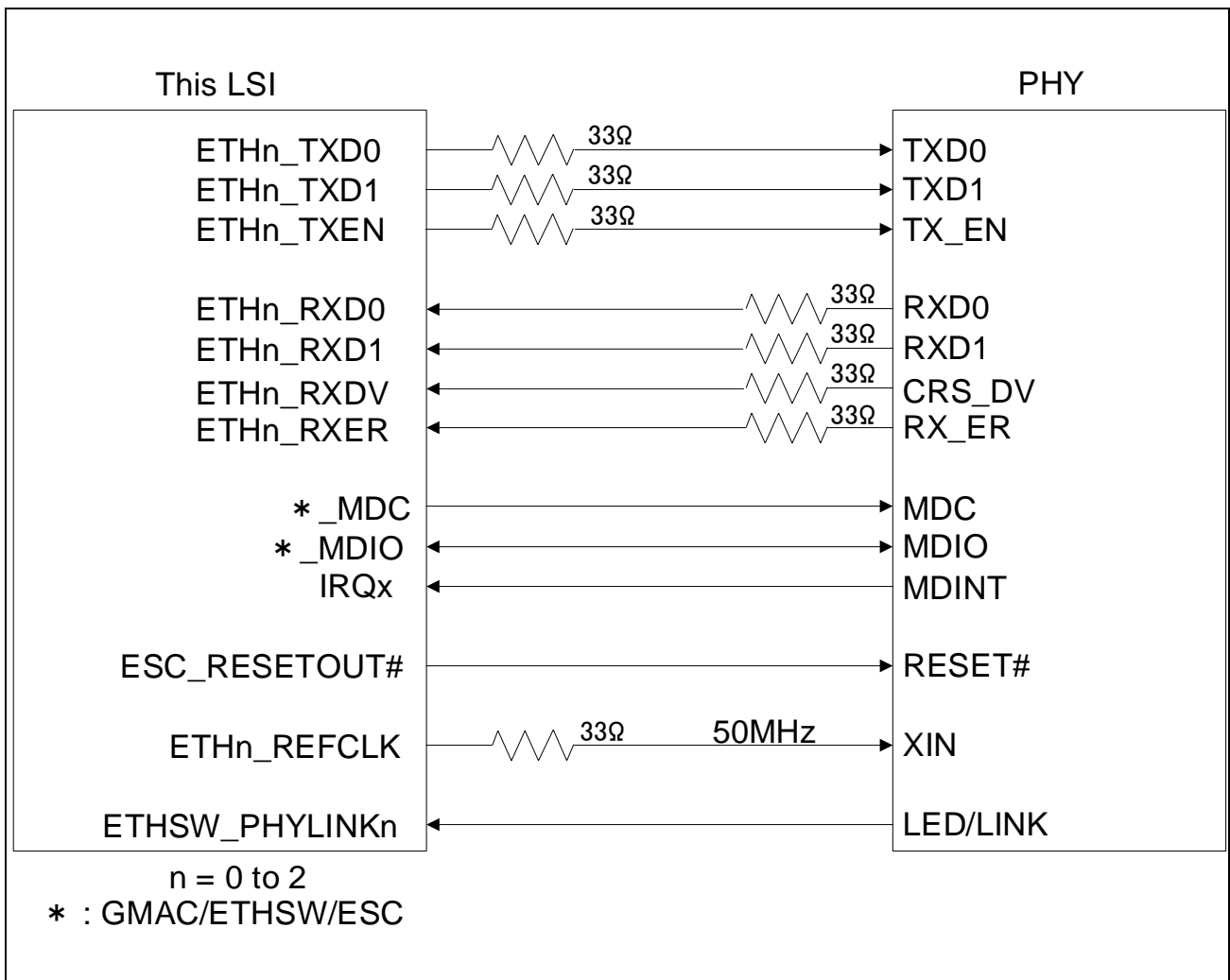


Figure 5.3 Example of RMI connections with Ethernet PHY (when 50-MHz clock is output)

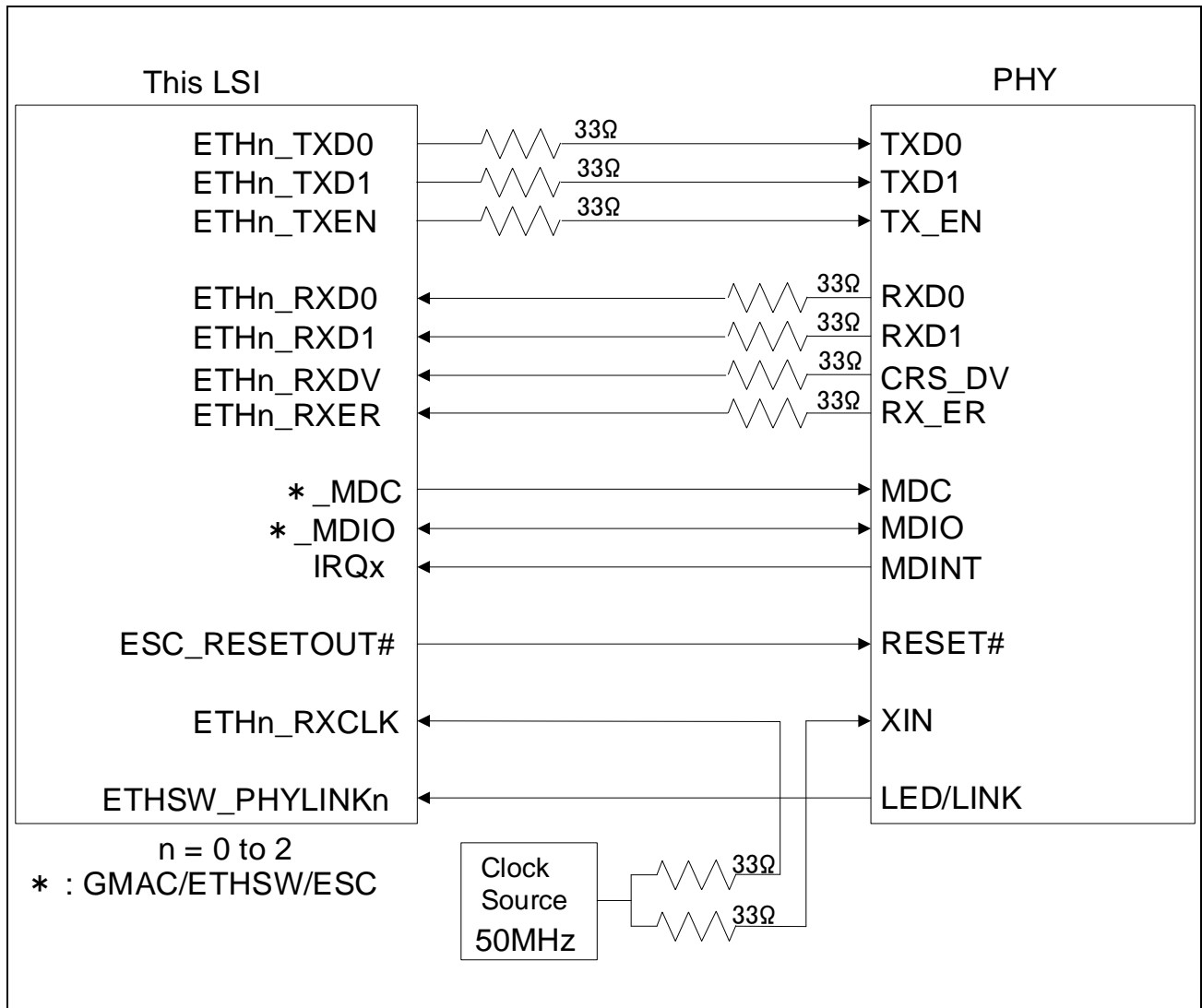


Figure 5.4 Example of RMI connections with Ethernet PHY (when 50-MHz clock is input)

### 5.1.1 Notes on the Ethernet PHY layout

The wiring between ETHx\_TXCLK and ETHx\_TXD[3:0] and between ETHx\_RXCLK and ETHx\_RXD[3:0] should be of equal length.

## 5.2 EtherCAT

The following describes the connections that require attention when EtherCAT is in use. In order to obtain ETG certification, however, be sure to refer to the related documents from the ETG.

For details of the hardware functions, refer to the Beckhoff document “EtherCAT IP Core for Xilinx FPGAs (v2.04e)”.

### 5.2.1 PHY addresses

The addresses of the PHY devices should be consecutive from ESC port 0, 1, and 2 in that order. The ESC automatically accesses the PHY registers for some functions such as enhanced link detection.

The PHY base address to be detected by the ESC can be changed by using the EtherCAT PHY Offset Address Setting Register (ECATOFFADR). In the initial state, the base address is 0.

### 5.2.2 Connection with PHY

#### 5.2.2.1 MAC-PHY interface

Though this LSI supports MII, RMII, and RGMII as a MAC-PHY interface, MII is recommended in the related documents from the ETG. This is because RMII or RGMII may be inferior to MII in accuracy of EtherCAT communications due to an internal delay in the PHY. For details, contact the PHY manufacturing vendor or ETG.

#### 5.2.2.2 Connection with the link LED pin of PHY

Connect the link LED of the PHY to the input signal ESC\_PHYLINK0/1/2. The ESC monitors the state of the physical link by using this signal.

The active level of the signal can be changed by using the Ethernet PHY Link Mode Register (PHYLNK). The signal is active low in the initial state.

#### 5.2.2.3 Connection with the PHY reset pin

When the ESC is reset, if you want to also reset the PHY synchronously, connect ESC\_RESETOUT# to the reset pin of the PHY. This allows resetting the PHY at the same time as when the ESC is reset by a command from the EtherCAT master.

#### NOTE

In the initial reset state of the ESC, the ESC\_RESETOUT# signal is in GPIO mode, so the reset pin of the PHY cannot be asserted in the initial state. After setting the corresponding pin to the output mode of GPIO to control the reset of the PHY, change PinMux to ESC\_RESETOUT# mode.

### 5.2.2.4 REFCLK and TXCLK signals

With EtherCAT, it is ideal that the operating clock of the PHY and that of the ESC are in the same phase, so the 25-MHz clock from the ETHn\_REFCLK signal is connected to the 25-MHz clock input of the PHY.

Though TXCLK of the ESC is an optional pin, we recommend connecting TXCLK of the PHY to enable automatic TX shift compensation of the ESC. When the main clock is used as the reference clock of ETHn\_REFCLK, the automatic TX CLK shift function must be used.

For the combinations of REFCLK and TXCLK, see the table below.

Table 5.2 Automatic TX Shift Compensation Settings

Connection of REFCLK and PHY	Connection of TXCLK	Non-connection of TXCLK
REFCLK with 25 MHz is connected to the PHY. PHYSEL = 0 (REFCLK is based on PLL)	Automatic TX shift is enabled. Phase adjustment by the ECATDBG register is not required.	Automatic TX shift is disabled. Phase adjustment by the ECATDBG register is required.
REFCLK with 25 MHz is connected to the PHY. PHYSEL = 1 (REFCLK is based on OSC)	Automatic TX shift is enabled. Phase adjustment by the ECATDBG register is required.	Not available
REFCLK with 25 MHz is not connected to the PHY.	Automatic TX shift is enabled. Phase adjustment by the ECATDBG register is required.	Not available

### 5.2.2.5 CRS and COL signals

Since the ESC only supports full-duplex mode, it ignores the ETHn\_CRS (n = 0 to 2) and ETHn\_COL (n = 0 to 2) signals when the MII is connected. Accordingly, when these are only used by the ESC, the CRS and COL pins are not required.

## 5.2.3 Connection with EEPROM

Connect the ESC\_I2CLK and ESC\_I2DATA signals to the EEPROM. The ESC loads the configuration information from the EEPROM at the time of startup.

### NOTE

The communications protocol changes when the EEPROM is larger than 16 Kbits. In the initial state, the EEPROM is set for 16 Kbits or less. When the EEPROM larger than this size is connected, release the ESC from the reset after changing the setting of the EtherCAT Operation Mode Register (ECATOPMOD).



### 5.2.4 Connection with LEDs

Connect the ESC\_LED<sub>RUN</sub>, ESC\_LED<sub>ERR</sub>, and ESC\_LED<sub>STER</sub> (optional) signals, which indicate the operating state of the ESC, to the LEDs.

Connect the ESC\_LINKACT<sub>n</sub> (n = 0 to 2) signals, which indicate the communications state of the ESC, to the LEDs.

**Figure 5.5** shows an example of LED connections of the ESC. For details, refer to the ETG document “ETG.1300 Indicator and Labeling”.

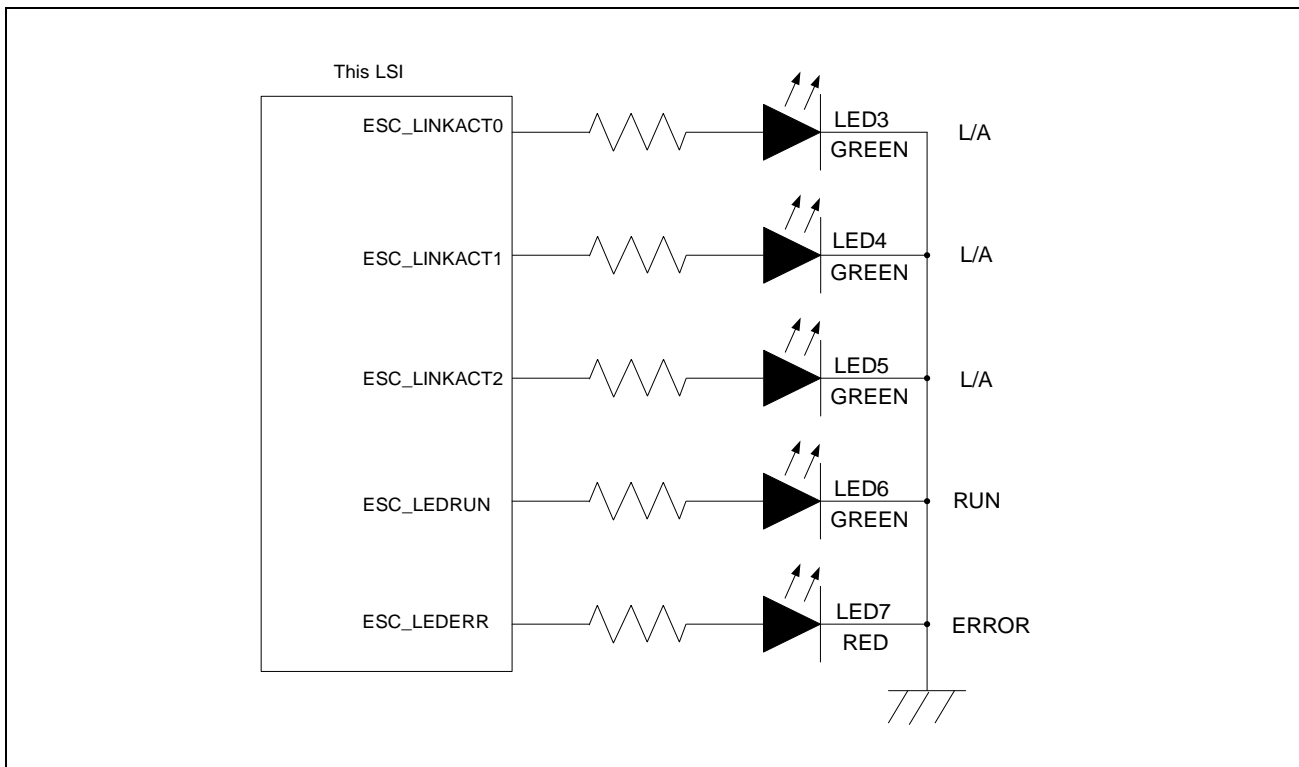


Figure 5.5 Example of LED connections of the ESC

REVISION HISTORY	RZ/T2M, RZ/N2L, RZ/T2L Group Hardware Design Guide
------------------	----------------------------------------------------

Rev.	Date	Description	
		Page	Summary
1.00	Dec 20, 2022	—	First edition issued
2.00	Jan 31, 2024	—	Added RZ/T2L group as target LSI Changed the power control IC to DA9080-61FCB2 Added the section on Ethernet

# General Precautions in the Handling of Microprocessing Unit and Microcontroller Unit Products

The following usage notes are applicable to all Microprocessing unit and Microcontroller unit products from Renesas. For detailed usage notes on the products covered by this document, refer to the relevant sections of the document as well as any technical updates that have been issued for the products.

- 1. Precaution against Electrostatic Discharge (ESD)**

A strong electrical field, when exposed to a CMOS device, can cause destruction of the gate oxide and ultimately degrade the device operation. Steps must be taken to stop the generation of static electricity as much as possible, and quickly dissipate it when it occurs. Environmental control must be adequate. When it is dry, a humidifier should be used. This is recommended to avoid using insulators that can easily build up static electricity. Semiconductor devices must be stored and transported in an anti-static container, static shielding bag or conductive material. All test and measurement tools including work benches and floors must be grounded. The operator must also be grounded using a wrist strap. Semiconductor devices must not be touched with bare hands. Similar precautions must be taken for printed circuit boards with mounted semiconductor devices.
- 2. Processing at power-on**

The state of the product is undefined at the time when power is supplied. The states of internal circuits in the LSI are indeterminate and the states of register settings and pins are undefined at the time when power is supplied. In a finished product where the reset signal is applied to the external reset pin, the states of pins are not guaranteed from the time when power is supplied until the reset process is completed. In a similar way, the states of pins in a product that is reset by an on-chip power-on reset function are not guaranteed from the time when power is supplied until the power reaches the level at which resetting is specified.
- 3. Input of signal during power-off state**

Do not input signals or an I/O pull-up power supply while the device is powered off. The current injection that results from input of such a signal or I/O pull-up power supply may cause malfunction and the abnormal current that passes in the device at this time may cause degradation of internal elements. Follow the guideline for input signal during power-off state as described in your product documentation.
- 4. Handling of unused pins**

Handle unused pins in accordance with the directions given under handling of unused pins in the manual. The input pins of CMOS products are generally in the high-impedance state. In operation with an unused pin in the open-circuit state, extra electromagnetic noise is induced in the vicinity of the LSI, an associated shoot-through current flows internally, and malfunctions occur due to the false recognition of the pin state as an input signal become possible.
- 5. Clock signals**

After applying a reset, only release the reset line after the operating clock signal becomes stable. When switching the clock signal during program execution, wait until the target clock signal is stabilized. When the clock signal is generated with an external resonator or from an external oscillator during a reset, ensure that the reset line is only released after full stabilization of the clock signal. Additionally, when switching to a clock signal produced with an external resonator or by an external oscillator while program execution is in progress, wait until the target clock signal is stable.
- 6. Voltage application waveform at input pin**

Waveform distortion due to input noise or a reflected wave may cause malfunction. If the input of the CMOS device stays in the area between  $V_{IL}$  (Max.) and  $V_{IH}$  (Min.) due to noise, for example, the device may malfunction. Take care to prevent chattering noise from entering the device when the input level is fixed, and also in the transition period when the input level passes through the area between  $V_{IL}$  (Max.) and  $V_{IH}$  (Min.).
- 7. Prohibition of access to reserved addresses**

Access to reserved addresses is prohibited. The reserved addresses are provided for possible future expansion of functions. Do not access these addresses as the correct operation of the LSI is not guaranteed.
- 8. Differences between products**

Before changing from one product to another, for example to a product with a different part number, confirm that the change will not lead to problems. The characteristics of a microprocessing unit or microcontroller unit products in the same group but having a different part number might differ in terms of internal memory capacity, layout pattern, and other factors, which can affect the ranges of electrical characteristics, such as characteristic values, operating margins, immunity to noise, and amount of radiated noise. When changing to a product with a different part number, implement a system-evaluation test for the given product.

## Notice

1. Descriptions of circuits, software and other related information in this document are provided only to illustrate the operation of semiconductor products and application examples. You are fully responsible for the incorporation or any other use of the circuits, software, and information in the design of your product or system. Renesas Electronics disclaims any and all liability for any losses and damages incurred by you or third parties arising from the use of these circuits, software, or information.
2. Renesas Electronics hereby expressly disclaims any warranties against and liability for infringement or any other claims involving patents, copyrights, or other intellectual property rights of third parties, by or arising from the use of Renesas Electronics products or technical information described in this document, including but not limited to, the product data, drawings, charts, programs, algorithms, and application examples.
3. No license, express, implied or otherwise, is granted hereby under any patents, copyrights or other intellectual property rights of Renesas Electronics or others.
4. You shall be responsible for determining what licenses are required from any third parties, and obtaining such licenses for the lawful import, export, manufacture, sales, utilization, distribution or other disposal of any products incorporating Renesas Electronics products, if required.
5. You shall not alter, modify, copy, or reverse engineer any Renesas Electronics product, whether in whole or in part. Renesas Electronics disclaims any and all liability for any losses or damages incurred by you or third parties arising from such alteration, modification, copying or reverse engineering.
6. Renesas Electronics products are classified according to the following two quality grades: "Standard" and "High Quality". The intended applications for each Renesas Electronics product depends on the product's quality grade, as indicated below.

"Standard": Computers; office equipment; communications equipment; test and measurement equipment; audio and visual equipment; home electronic appliances; machine tools; personal electronic equipment; industrial robots; etc.

"High Quality": Transportation equipment (automobiles, trains, ships, etc.); traffic control (traffic lights); large-scale communication equipment; key financial terminal systems; safety control equipment; etc.

Unless expressly designated as a high reliability product or a product for harsh environments in a Renesas Electronics data sheet or other Renesas Electronics document, Renesas Electronics products are not intended or authorized for use in products or systems that may pose a direct threat to human life or bodily injury (artificial life support devices or systems; surgical implantations; etc.), or may cause serious property damage (space system; undersea repeaters; nuclear power control systems; aircraft control systems; key plant systems; military equipment; etc.). Renesas Electronics disclaims any and all liability for any damages or losses incurred by you or any third parties arising from the use of any Renesas Electronics product that is inconsistent with any Renesas Electronics data sheet, user's manual or other Renesas Electronics document.

7. No semiconductor product is absolutely secure. Notwithstanding any security measures or features that may be implemented in Renesas Electronics hardware or software products, Renesas Electronics shall have absolutely no liability arising out of any vulnerability or security breach, including but not limited to any unauthorized access to or use of a Renesas Electronics product or a system that uses a Renesas Electronics product. RENESAS ELECTRONICS DOES NOT WARRANT OR GUARANTEE THAT RENESAS ELECTRONICS PRODUCTS, OR ANY SYSTEMS CREATED USING RENESAS ELECTRONICS PRODUCTS WILL BE INVULNERABLE OR FREE FROM CORRUPTION, ATTACK, VIRUSES, INTERFERENCE, HACKING, DATA LOSS OR THEFT, OR OTHER SECURITY INTRUSION ("Vulnerability Issues"). RENESAS ELECTRONICS DISCLAIMS ANY AND ALL RESPONSIBILITY OR LIABILITY ARISING FROM OR RELATED TO ANY VULNERABILITY ISSUES. FURTHERMORE, TO THE EXTENT PERMITTED BY APPLICABLE LAW, RENESAS ELECTRONICS DISCLAIMS ANY AND ALL WARRANTIES, EXPRESS OR IMPLIED, WITH RESPECT TO THIS DOCUMENT AND ANY RELATED OR ACCOMPANYING SOFTWARE OR HARDWARE, INCLUDING BUT NOT LIMITED TO THE IMPLIED WARRANTIES OF MERCHANTABILITY, OR FITNESS FOR A PARTICULAR PURPOSE.
8. When using Renesas Electronics products, refer to the latest product information (data sheets, user's manuals, application notes, "General Notes for Handling and Using Semiconductor Devices" in the reliability handbook, etc.), and ensure that usage conditions are within the ranges specified by Renesas Electronics with respect to maximum ratings, operating power supply voltage range, heat dissipation characteristics, installation, etc. Renesas Electronics disclaims any and all liability for any malfunctions, failure or accident arising out of the use of Renesas Electronics products outside of such specified ranges.
9. Although Renesas Electronics endeavors to improve the quality and reliability of Renesas Electronics products, semiconductor products have specific characteristics, such as the occurrence of failure at a certain rate and malfunctions under certain use conditions. Unless designated as a high reliability product or a product for harsh environments in a Renesas Electronics data sheet or other Renesas Electronics document, Renesas Electronics products are not subject to radiation resistance design. You are responsible for implementing safety measures to guard against the possibility of bodily injury, injury or damage caused by fire, and/or danger to the public in the event of a failure or malfunction of Renesas Electronics products, such as safety design for hardware and software, including but not limited to redundancy, fire control and malfunction prevention, appropriate treatment for aging degradation or any other appropriate measures. Because the evaluation of microcomputer software alone is very difficult and impractical, you are responsible for evaluating the safety of the final products or systems manufactured by you.
10. Please contact a Renesas Electronics sales office for details as to environmental matters such as the environmental compatibility of each Renesas Electronics product. You are responsible for carefully and sufficiently investigating applicable laws and regulations that regulate the inclusion or use of controlled substances, including without limitation, the EU RoHS Directive, and using Renesas Electronics products in compliance with all these applicable laws and regulations. Renesas Electronics disclaims any and all liability for damages or losses occurring as a result of your noncompliance with applicable laws and regulations.
11. Renesas Electronics products and technologies shall not be used for or incorporated into any products or systems whose manufacture, use, or sale is prohibited under any applicable domestic or foreign laws or regulations. You shall comply with any applicable export control laws and regulations promulgated and administered by the governments of any countries asserting jurisdiction over the parties or transactions.
12. It is the responsibility of the buyer or distributor of Renesas Electronics products, or any other party who distributes, disposes of, or otherwise sells or transfers the product to a third party, to notify such third party in advance of the contents and conditions set forth in this document.
13. This document shall not be reprinted, reproduced or duplicated in any form, in whole or in part, without prior written consent of Renesas Electronics.
14. Please contact a Renesas Electronics sales office if you have any questions regarding the information contained in this document or Renesas Electronics products.

(Note1) "Renesas Electronics" as used in this document means Renesas Electronics Corporation and also includes its directly or indirectly controlled subsidiaries.

(Note2) "Renesas Electronics product(s)" means any product developed or manufactured by or for Renesas Electronics.

(Rev.5.0-1 October 2020)

## Corporate Headquarters

TOYOSU FORESIA, 3-2-24 Toyosu,  
Koto-ku, Tokyo 135-0061, Japan  
[www.renesas.com](http://www.renesas.com)

## Trademarks

Renesas and the Renesas logo are trademarks of Renesas Electronics Corporation. All trademarks and registered trademarks are the property of their respective owners.

## Contact information

For further information on a product, technology, the most up-to-date version of a document, or your nearest sales office, please visit:  
[www.renesas.com/contact/](http://www.renesas.com/contact/)