

# R-IN32M4-CL3

User's Manual: Board design edition

R9A06G064MGBG

R9A06G064SGBG



All information contained in these materials, including products and product specifications, represents information on the product at the time of publication and is subject to change by Renesas Electronics Corp. without notice. Please review the latest information published by Renesas Electronics Corp. through various means, including the Renesas Electronics Corp. website (<http://www.renesas.com>).

## Notice

1. Descriptions of circuits, software and other related information in this document are provided only to illustrate the operation of semiconductor products and application examples. You are fully responsible for the incorporation or any other use of the circuits, software, and information in the design of your product or system. Renesas Electronics disclaims any and all liability for any losses and damages incurred by you or third parties arising from the use of these circuits, software, or information.
2. Renesas Electronics hereby expressly disclaims any warranties against and liability for infringement or any other claims involving patents, copyrights, or other intellectual property rights of third parties, by or arising from the use of Renesas Electronics products or technical information described in this document, including but not limited to, the product data, drawings, charts, programs, algorithms, and application examples.
3. No license, express, implied or otherwise, is granted hereby under any patents, copyrights or other intellectual property rights of Renesas Electronics or others.
4. You shall be responsible for determining what licenses are required from any third parties, and obtaining such licenses for the lawful import, export, manufacture, sales, utilization, distribution or other disposal of any products incorporating Renesas Electronics products, if required.
5. You shall not alter, modify, copy, or reverse engineer any Renesas Electronics product, whether in whole or in part. Renesas Electronics disclaims any and all liability for any losses or damages incurred by you or third parties arising from such alteration, modification, copying or reverse engineering.
6. Renesas Electronics products are classified according to the following two quality grades: "Standard" and "High Quality". The intended applications for each Renesas Electronics product depends on the product's quality grade, as indicated below.

"Standard": Computers; office equipment; communications equipment; test and measurement equipment; audio and visual equipment; home electronic appliances; machine tools; personal electronic equipment; industrial robots; etc.

"High Quality": Transportation equipment (automobiles, trains, ships, etc.); traffic control (traffic lights); large-scale communication equipment; key financial terminal systems; safety control equipment; etc.

Unless expressly designated as a high reliability product or a product for harsh environments in a Renesas Electronics data sheet or other Renesas Electronics document, Renesas Electronics products are not intended or authorized for use in products or systems that may pose a direct threat to human life or bodily injury (artificial life support devices or systems; surgical implantations; etc.), or may cause serious property damage (space system; undersea repeaters; nuclear power control systems; aircraft control systems; key plant systems; military equipment; etc.). Renesas Electronics disclaims any and all liability for any damages or losses incurred by you or any third parties arising from the use of any Renesas Electronics product that is inconsistent with any Renesas Electronics data sheet, user's manual or other Renesas Electronics document.

7. No semiconductor product is absolutely secure. Notwithstanding any security measures or features that may be implemented in Renesas Electronics hardware or software products, Renesas Electronics shall have absolutely no liability arising out of any vulnerability or security breach, including but not limited to any unauthorized access to or use of a Renesas Electronics product or a system that uses a Renesas Electronics product. RENESAS ELECTRONICS DOES NOT WARRANT OR GUARANTEE THAT RENESAS ELECTRONICS PRODUCTS, OR ANY SYSTEMS CREATED USING RENESAS ELECTRONICS PRODUCTS WILL BE INVULNERABLE OR FREE FROM CORRUPTION, ATTACK, VIRUSES, INTERFERENCE, HACKING, DATA LOSS OR THEFT, OR OTHER SECURITY INTRUSION ("Vulnerability Issues"). RENESAS ELECTRONICS DISCLAIMS ANY AND ALL RESPONSIBILITY OR LIABILITY ARISING FROM OR RELATED TO ANY VULNERABILITY ISSUES. FURTHERMORE, TO THE EXTENT PERMITTED BY APPLICABLE LAW, RENESAS ELECTRONICS DISCLAIMS ANY AND ALL WARRANTIES, EXPRESS OR IMPLIED, WITH RESPECT TO THIS DOCUMENT AND ANY RELATED OR ACCOMPANYING SOFTWARE OR HARDWARE, INCLUDING BUT NOT LIMITED TO THE IMPLIED WARRANTIES OF MERCHANTABILITY, OR FITNESS FOR A PARTICULAR PURPOSE.
8. When using Renesas Electronics products, refer to the latest product information (data sheets, user's manuals, application notes, "General Notes for Handling and Using Semiconductor Devices" in the reliability handbook, etc.), and ensure that usage conditions are within the ranges specified by Renesas Electronics with respect to maximum ratings, operating power supply voltage range, heat dissipation characteristics, installation, etc. Renesas Electronics disclaims any and all liability for any malfunctions, failure or accident arising out of the use of Renesas Electronics products outside of such specified ranges.
9. Although Renesas Electronics endeavors to improve the quality and reliability of Renesas Electronics products, semiconductor products have specific characteristics, such as the occurrence of failure at a certain rate and malfunctions under certain use conditions. Unless designated as a high reliability product or a product for harsh environments in a Renesas Electronics data sheet or other Renesas Electronics document, Renesas Electronics products are not subject to radiation resistance design. You are responsible for implementing safety measures to guard against the possibility of bodily injury, injury or damage caused by fire, and/or danger to the public in the event of a failure or malfunction of Renesas Electronics products, such as safety design for hardware and software, including but not limited to redundancy, fire control and malfunction prevention, appropriate treatment for aging degradation or any other appropriate measures. Because the evaluation of microcomputer software alone is very difficult and impractical, you are responsible for evaluating the safety of the final products or systems manufactured by you.
10. Please contact a Renesas Electronics sales office for details as to environmental matters such as the environmental compatibility of each Renesas Electronics product. You are responsible for carefully and sufficiently investigating applicable laws and regulations that regulate the inclusion or use of controlled substances, including without limitation, the EU RoHS Directive, and using Renesas Electronics products in compliance with all these applicable laws and regulations. Renesas Electronics disclaims any and all liability for damages or losses occurring as a result of your noncompliance with applicable laws and regulations.
11. Renesas Electronics products and technologies shall not be used for or incorporated into any products or systems whose manufacture, use, or sale is prohibited under any applicable domestic or foreign laws or regulations. You shall comply with any applicable export control laws and regulations promulgated and administered by the governments of any countries asserting jurisdiction over the parties or transactions.
12. It is the responsibility of the buyer or distributor of Renesas Electronics products, or any other party who distributes, disposes of, or otherwise sells or transfers the product to a third party, to notify such third party in advance of the contents and conditions set forth in this document.
13. This document shall not be reprinted, reproduced or duplicated in any form, in whole or in part, without prior written consent of Renesas Electronics.
14. Please contact a Renesas Electronics sales office if you have any questions regarding the information contained in this document or Renesas Electronics products.

(Note1) "Renesas Electronics" as used in this document means Renesas Electronics Corporation and also includes its directly or indirectly controlled subsidiaries.

(Note2) "Renesas Electronics product(s)" means any product developed or manufactured by or for Renesas Electronics.

(Rev.5.0-1 October 2020)

## Corporate Headquarters

TOYOSU FORESIA, 3-2-24 Toyosu,  
Koto-ku, Tokyo 135-0061, Japan  
[www.renesas.com](http://www.renesas.com)

## Contact information

For further information on a product, technology, the most up-to-date version of a document, or your nearest sales office, please visit:  
[www.renesas.com/contact/](http://www.renesas.com/contact/)

## Trademarks

Renesas and the Renesas logo are trademarks of Renesas Electronics Corporation. All trademarks and registered trademarks are the property of their respective owners.

## Trademarks (continued)

Examples of trademark or registered trademark used in the document of R-IN32M4;

Arm® and Cortex® are registered trademarks of Arm Limited (or its subsidiaries) in the EU and/or elsewhere.

All rights reserved.

Ethernet is a registered trademark of Fuji Xerox Co., Ltd.

IEEE is a registered trademark of the Institute of Electrical and Electronics Engineers Inc.

TRON is an acronym for "The Real-time Operation system Nucleus".

ITRON is an acronym for "Industrial TRON".

μITRON is an acronym for "Micro Industrial TRON".

TRON, ITRON, and μITRON do not refer to any specific product or products.

CC-Link and CC-Link IE Field are registered trademarks of the CC-Link Partner Association (CLPA).

Note that in each section of the Manual, trademark notation of ® and TM may be omitted.

All other trademarks and registered trademarks are the property of their respective owners.

# General Precautions in the Handling of Microprocessing Unit and Microcontroller Unit Products

The following usage notes are applicable to all Microprocessing unit and Microcontroller unit products from Renesas. For detailed usage notes on the products covered by this document, refer to the relevant sections of the document as well as any technical updates that have been issued for the products.

## 1. Precaution against Electrostatic Discharge (ESD)

A strong electrical field, when exposed to a CMOS device, can cause destruction of the gate oxide and ultimately degrade the device operation. Steps must be taken to stop the generation of static electricity as much as possible, and quickly dissipate it when it occurs. Environmental control must be adequate. When it is dry, a humidifier should be used. This is recommended to avoid using insulators that can easily build up static electricity.

Semiconductor devices must be stored and transported in an anti-static container, static shielding bag or conductive material. All test and measurement tools including work benches and floors must be grounded. The operator must also be grounded using a wrist strap. Semiconductor devices must not be touched with bare hands. Similar precautions must be taken for printed circuit boards with mounted semiconductor devices.

## 2. Processing at power-on

The state of the product is undefined at the time when power is supplied. The states of internal circuits in the LSI are indeterminate and the states of register settings and pins are undefined at the time when power is supplied. In a finished product where the reset signal is applied to the external reset pin, the states of pins are not guaranteed from the time when power is supplied until the reset process is completed. In a similar way, the states of pins in a product that is reset by an on-chip power-on reset function are not guaranteed from the time when power is supplied until the power reaches the level at which resetting is specified.

## 3. Input of signal during power-off state

Do not input signals or an I/O pull-up power supply while the device is powered off. The current injection that results from input of such a signal or I/O pull-up power supply may cause malfunction and the abnormal current that passes in the device at this time may cause degradation of internal elements. Follow the guideline for input signal during power-off state as described in your product documentation.

## 4. Handling of unused pins

Handle unused pins in accordance with the directions given under handling of unused pins in the manual. The input pins of CMOS products are generally in the high-impedance state. In operation with an unused pin in the open-circuit state, extra electromagnetic noise is induced in the vicinity of the LSI, an associated shoot-through current flows internally, and malfunctions occur due to the false recognition of the pin state as an input signal become possible.

## 5. Clock signals

After applying a reset, only release the reset line after the operating clock signal becomes stable. When switching the clock signal during program execution, wait until the target clock signal is stabilized. When the clock signal is generated with an external resonator or from an external oscillator during a reset, ensure that the reset line is only released after full stabilization of the clock signal. Additionally, when switching to a clock signal produced with an external resonator or by an external oscillator while program execution is in progress, wait until the target clock signal is stable.

## 6. Voltage application waveform at input pin

Waveform distortion due to input noise or a reflected wave may cause malfunction. If the input of the CMOS device stays in the area between  $V_{IL}$  (Max.) and  $V_{IH}$  (Min.) due to noise, for example, the device may malfunction. Take care to prevent chattering noise from entering the device when the input level is fixed, and also in the transition period when the input level passes through the area between  $V_{IL}$  (Max.) and  $V_{IH}$  (Min.).

## 7. Prohibition of access to reserved addresses

Access to reserved addresses is prohibited. The reserved addresses are provided for possible future expansion of functions. Do not access these addresses as the correct operation of the LSI is not guaranteed.

## 8. Differences between products

Before changing from one product to another, for example to a product with a different part number, confirm that the change will not lead to problems. The characteristics of a microprocessing unit or microcontroller unit products in the same group but having a different part number might differ in terms of internal memory capacity, layout pattern, and other factors, which can affect the ranges of electrical characteristics, such as characteristic values, operating margins, immunity to noise, and amount of radiated noise. When changing to a product with a different part number, implement a system-evaluation test for the given product.

# How to Use This Manual

## 1. Purpose and Target Readers

This manual is intended for users who wish to understand the functions of industrial Ethernet communications ASSP (Application Specific Standard Product) “R-IN32M4-CL3” (R9A06G064MGBG, R9A06G064SGBG) and design application systems using it. It is assumed that the reader of this manual has general knowledge in the fields of electrical engineering, logic circuits, and microcontrollers.

Particular attention should be paid to the precautionary notes when using the manual. These notes occur within the body of the text, at the end of each section, and in the Usage Notes section.

The revision history summarizes the locations of revisions and additions. It does not list all revisions. Refer to the text of the manual for details.

**Related Documents**      The related documents indicated in this publication may include preliminary versions. However, preliminary versions are not marked as such. Please be understanding of this beforehand. In addition, because we make document at development, planning of each core, the related document may be the document for individual customers. Last four digits of document number indicate version information of each document. Please download the latest document from our web site and refer to it.

The document related to R-IN32M4-CL3

| Document Name  | Document Number |
|--|-----------------|
| R-IN32M4-CL3 User's Manual: Hardware edition                   | R18UZ0073EJ0100 |
| R-IN32M4-CL3 User's Manual: Gigabit Ethernet PHY edition       | R18UZ0075EJ0100 |
| R-IN32M4-CL3 User's Manual: Board Design edition (This manual) | R18UZ0074EJ0100 |
| R-IN32M4-CL3 User's Manual: CC-Link IE TSN edition             | R18UZ0070EJ0100 |
| R-IN32M4-CL3 User's Manual: CC-Link IE Field edition           | R18UZ0071EJ0100 |
| R-IN32M4-CL3 Programming Manual: Driver                        | R18UZ0076EJ0100 |
| R-IN32M4-CL3 Programming Manual: OS                            | R18UZ0072EJ0100 |

## 2. Notation of Numbers and Symbols

Weight in data notation: Left is high-order column, right is low-order column

Active low notation:

- xxxZ (capital letter Z after pin name or signal name)
- or xxx\_N (capital letter \_N after pin name or signal name)
- or xxnx (pin name or signal name contains small letter n)

Note:

Explanation of (Note) in the text

Caution:

Item deserving extra attention

Remark:

Supplementary explanation to the text

Numeric notation:

- Binary ... xxxx , xxxxB or n'bxxxx (n bits)
- Decimal ... xxxx
- Hexadecimal ... xxxxH or n'hxxxx (n bits)

Prefixes representing powers of 2 (address space, memory capacity):

- K (kilo)...  $2^{10} = 1024$
- M (mega)...  $2^{20} = 1024^2$
- G (giga)...  $2^{30} = 1024^3$

Data Type:

- Word ... 32 bits
- Halfword ... 16 bits
- Byte ... 8 bits

# Contents

|  |    |
|--|----|
| 1. Overview.....   | 1  |
| 1.1 Definition of Pin Handling and Symbols in This Manual.....     | 1  |
| 2. Power/Reset Pins .....  | 2  |
| 2.1 Power-On/Off Sequence .....                                    | 2  |
| 2.1.1 Power-On/Off Sequence without 2.5-V built-in Regulator ..... | 3  |
| 2.1.2 Power-On/Off Sequence with 2.5-V built-in Regulator.....     | 4  |
| 2.2 Power Supply Pins .....  | 5  |
| 2.3 Reset Pins .....   | 6  |
| 3. Clock Input Pins.....   | 7  |
| 3.1 Pin Functions .....  | 7  |
| 3.2 Notes on Configuring the Oscillation Circuit .....             | 8  |
| 3.3 Configuration Example of Oscillation Circuits .....            | 9  |
| 4. PLL Power Supply Pins .....                                     | 10 |
| 4.1 Recommended Configuration of Filter .....                      | 10 |
| 4.2 Notes on Placement of Peripheral Components.....               | 11 |
| 5. GPIO Port Pins .....  | 12 |
| 6. Gigabit Ethernet PHY Pins .....                                 | 13 |
| 6.1 Power Supply Peripheral Circuit .....                          | 13 |
| 6.1.1 Circuit Configuration.....                                   | 13 |
| 6.1.2 Recommended Components .....                                 | 14 |
| 6.2 Peripheral Circuit of Pulse Transformer .....                  | 15 |
| 6.2.1 Example of Circuit Configuration .....                       | 15 |
| 6.2.2 Recommended Components .....                                 | 16 |
| 6.3 REF_REXT and REF_FILT Pins .....                               | 17 |
| 6.3.1 Example of Circuit Configuration .....                       | 17 |
| 6.3.2 Recommended Resistors.....                                   | 17 |
| 6.3.3 Recommended Ceramic Capacitors .....                         | 17 |
| 6.4 Notes on Board Wiring.....                                     | 18 |
| 6.5 Unused GbE-PHY .....   | 20 |

|       |  |    |
|-------|--|----|
| 7.    | 2.5-V built-in Regulator Peripheral Circuit Configuration .....                          | 21 |
| 7.1   | Peripheral Connection Configuration with 2.5-V built-in Regulator.....                   | 21 |
| 7.2   | Peripheral Connection Configuration without 2.5-V built-in Regulator.....                | 21 |
| 7.3   | Recommended Components of Inductor and Capacitors.....                                   | 22 |
| 7.4   | Recommended Component of Schottky barrier diode.....                                     | 22 |
| 7.5   | Example of PCB Layout Image (23 mm Square BGA Package).....                              | 23 |
| 7.5.1 | L1 and L2 (23 mm Square BGA Package).....  | 23 |
| 7.5.2 | L3 and L4 (23 mm Square BGA Package).....  | 23 |
| 7.6   | Example of PCB Layout Image (17 mm Square BGA Package).....                              | 24 |
| 7.6.1 | L1 and L2 (17 mm Square BGA Package).....  | 24 |
| 7.6.2 | L3 and L4 (17 mm Square BGA Package).....  | 24 |
| 7.7   | Requirements for Parasitic Resistances and Parasitic Inductances in PCB .....            | 25 |
| 8.    | Thermal Design .....   | 26 |
| 8.1   | Deciding on whether Particular Measures for Heat Dissipation are Required.....           | 26 |
| 8.1.1 | Estimating $T_j$ .....   | 26 |
| 8.1.2 | Estimating Power Consumption .....   | 26 |
| 8.1.3 | Thermal Resistances under the JEDEC Conditions (for $\theta_{ja}$ and $\Psi_{jt}$ )..... | 26 |
| 8.2   | Examples of Measures for Heat Dissipation.....   | 27 |
| 8.2.1 | Measures for Heat Release in Designing the Board.....                                    | 28 |
| 8.2.2 | Heat Dissipation from the Periphery (Including the Casing).....                          | 30 |
| 8.3   | Caution.....   | 31 |
| 8.3.1 | Handling of Unused Pins .....  | 31 |
| 9.    | External MCU/Memory Interface Pins .....   | 32 |
| 9.1   | External MCU Interface.....  | 33 |
| 9.1.1 | Asynchronous-SRAM Supporting MCU Connection Mode .....                                   | 34 |
| 9.1.2 | Synchronous-SRAM Supporting MCU Connection Mode.....                                     | 35 |
| 9.1.3 | Synchronous-Burst-Transfer Supporting MCU Connection Mode.....                           | 36 |
| 9.2   | External Memory Interface.....   | 39 |
| 9.2.1 | Asynchronous SRAM MEMC.....  | 39 |
| 9.2.2 | Synchronous Burst Access MEMC .....  | 42 |



|   |    |
|---|----|
| 10. Serial Flash ROM Connection Pins.....                 | 45 |
| 11. Asynchronous Serial Interface J Connection Pins ..... | 46 |
| 12. I <sup>2</sup> C Connection Pins .....                | 47 |
| 13. CAN Pins .....  | 48 |
| 14. CSIH Pins .....                                       | 49 |
| 14.1 One Master and One Slave .....                       | 49 |
| 14.2 One Master and Two Slaves .....                      | 49 |
| 15. JTAG/Trace Pins .....                                 | 50 |
| 16. Implementation Conditions.....                        | 54 |
| 17. Package Information.....                              | 55 |
| 18. Mount Pad Information .....                           | 57 |
| 19. BSCAN Information .....                               | 58 |
| 19.1 BSCAN Operating Conditions.....                      | 58 |
| 19.2 Maximum Operating Frequency of TCK.....              | 58 |
| 19.3 IDCODE .....   | 58 |
| 19.4 BSCAN Non-Supported Pins.....                        | 58 |
| 19.5 How to Get BSDL .....                                | 58 |
| 20. IBIS Information.....                                 | 59 |
| 21. Marking Information.....                              | 60 |
| 22. Countermeasure for Noise .....                        | 61 |
| 22.1 Stopping Clock Output .....                          | 61 |

# List of Figures

|             |   |    |
|-------------|---|----|
| Figure 1.1  | Definition of GND Symbols .....   | 1  |
| Figure 2.1  | Power-On/Off Sequence (without 2.5-V built-in Regulator).....   | 3  |
| Figure 2.2  | Power Supply Channel to R-IN32M4-CL3 (without 2.5-V built-in Regulator) .....                                   | 3  |
| Figure 2.3  | Power-On/Off Sequence (with 2.5-V built-in Regulator).....  | 4  |
| Figure 2.4  | Power Supply Channel to R-IN32M4-CL3 (with 2.5-V built-in Regulator) .....                                      | 4  |
| Figure 3.1  | Example of GND Pattern for the Components for External Constants.....   | 8  |
| Figure 3.2  | Configuration Example of the Oscillation Circuit .....  | 9  |
| Figure 4.1  | Recommended Configuration of Filter .....   | 10 |
| Figure 4.2  | Schematic View from Below the Board.....  | 11 |
| Figure 6.1  | Configuration of Gigabit Ethernet PHY Power Supply Peripheral Circuit.....                                      | 13 |
| Figure 6.2  | Example of Recommended Impedance Characteristics with Frequency of Ferrite Beads.....                           | 14 |
| Figure 6.3  | Peripheral Connection Example of Pulse Transformer .....  | 15 |
| Figure 6.4  | Example of Return Loss of Pulse Transformer.....  | 16 |
| Figure 6.5  | Example of Circuit Configuration for REF_REXT and REF_FILT .....  | 17 |
| Figure 6.6  | Example of Wiring for Differential Signals (1).....   | 18 |
| Figure 6.7  | Example of Wiring for Differential Signals (2) .....  | 19 |
| Figure 6.8  | Example of Wiring for Differential Signals (3) .....  | 19 |
| Figure 6.9  | Example of Wiring for Differential Signals (4).....   | 20 |
| Figure 7.1  | Peripheral Connection Configuration with 2.5-V built-in Regulator .....   | 21 |
| Figure 7.2  | Peripheral Connection Configuration without 2.5-V built-in Regulator.....                                       | 21 |
| Figure 7.3  | Example of PCB Layout Image (L1 and L2) (23 mm Square BGA Package).....   | 23 |
| Figure 7.4  | Example of PCB Layout Image (L3 and L4) (23 mm Square BGA Package).....   | 23 |
| Figure 7.5  | Example of PCB Layout Image (L1 and L2) (17 mm Square BGA Package).....   | 24 |
| Figure 7.6  | Example of PCB Layout Image (L3 and L4) (17 mm Square BGA Package).....   | 24 |
| Figure 9.1  | Connection Example of 32-Bit External MCU Interface (in Asynchronous-SRAM Supporting MCU Connection Mode) ..... | 34 |
| Figure 9.2  | Connection Example of 16-Bit External MCU Interface (in Asynchronous-SRAM Supporting MCU Connection Mode) ..... | 34 |
| Figure 9.3  | Connection Example of 32-Bit External MCU Interface (in Synchronous-SRAM Supporting MCU Connection Mode) .....  | 35 |
| Figure 9.4  | Connection Example of 16-Bit External MCU Interface (in Synchronous-SRAM Supporting MCU Connection Mode) .....  | 35 |
| Figure 9.5  | Connection Example of 32-Bit External MCU Interface.....  | 36 |
| Figure 9.6  | Connection Example of 16-Bit External MCU Interface.....  | 36 |
| Figure 9.7  | Connection Example of 32-Bit External MCU Interface.....  | 38 |
| Figure 9.8  | Connection Example of 16-Bit External MCU Interface.....  | 38 |
| Figure 9.9  | Connection Example with 32-Bit SRAM (Asynchronous SRAM MEMC) .....  | 40 |
| Figure 9.10 | Connection Example with 16-Bit SRAM (Asynchronous SRAM MEMC) .....  | 40 |
| Figure 9.11 | Connection Example with 32-Bit Paged ROM (Asynchronous SRAM MEMC) .....   | 41 |
| Figure 9.12 | Connection Example with 16-Bit Paged ROM (Asynchronous SRAM MEMC) .....   | 41 |

|             |  |    |
|-------------|--|----|
| Figure 9.13 | Connection Example with 32-Bit SRAM (Synchronous Burst Access MEMC) .....      | 43 |
| Figure 9.14 | Connection Example with 16-Bit SRAM (Synchronous Burst Access MEMC) .....      | 43 |
| Figure 9.15 | Connection Example with 32-Bit Paged ROM (Synchronous Burst Access MEMC).....  | 44 |
| Figure 9.16 | Connection Example with 16-Bit Paged ROM (Synchronous Burst Access MEMC).....  | 44 |
| Figure 10.1 | Connection Example with Serial Flash ROM .....                                 | 45 |
| Figure 11.1 | Connection Example between R-IN32M4-CL3 and UART Device .....                  | 46 |
| Figure 12.1 | Connection Example between R-IN32M4-CL3 and I <sup>2</sup> C Slave Device..... | 47 |
| Figure 13.1 | Connection Example between R-IN32M4-CL3 and CAN Transceiver .....              | 48 |
| Figure 14.1 | Direct Master/Slave Connection .....   | 49 |
| Figure 14.2 | Connection between One Master and Two Slaves.....                              | 49 |
| Figure 15.1 | Connection Example of JTAG Interface (20-Pin Half-Pitch without Trace).....    | 50 |
| Figure 15.2 | Connection Example of JTAG Interface (20-Pin Half-Pitch with Trace).....       | 51 |
| Figure 15.3 | Connection Example of SWD Interface (20-Pin Half-Pitch without Trace).....     | 52 |
| Figure 15.4 | Connection Example of JTAG Interface (20-Pin Full-Pitch).....                  | 53 |
| Figure 16.1 | Implementation Flow .....  | 54 |
| Figure 16.2 | Infrared Reflow Temperature Profile.....                                       | 54 |
| Figure 17.1 | Package Information (23 mm Square BGA Package).....                            | 55 |
| Figure 17.2 | Package Information (17 mm Square BGA Package).....                            | 56 |
| Figure 18.1 | Mount Pad Sizes (23 mm Square BGA Package).....                                | 57 |
| Figure 18.2 | Mount Pad Sizes (17 mm Square BGA Package).....                                | 57 |
| Figure 21.1 | R-IN32M4-CL3 Marking Information (23 mm Square BGA Package) .....              | 60 |
| Figure 21.2 | R-IN32M4-CL3 Marking Information (17 mm Square BGA Package) .....              | 60 |

## List of Tables

|            |   |    |
|------------|---|----|
| Table 1.1  | Definition of Pin Handling.....   | 1  |
| Table 2.1  | External Power Supply .....   | 2  |
| Table 6.1  | Example of Recommended Components of Ceramic Capacitors .....                 | 14 |
| Table 6.2  | Example of Recommended Components of Ferrite Beads .....                      | 14 |
| Table 7.1  | Example of Recommended Component of Inductor.....                             | 22 |
| Table 7.2  | Capacitance Definition ( $C_{IN}$ , $C_{OUT}$ ).....                          | 22 |
| Table 7.3  | Example of Recommended Components of Ceramic Capacitors .....                 | 22 |
| Table 7.4  | Example of Recommended Components of Schottky barrier diode .....             | 22 |
| Table 7.5  | Requirements for Parasitic Resistances and Parasitic Inductances in PCB ..... | 25 |
| Table 9.1  | Mode Selection of External MCU/Memory Connection .....                        | 32 |
| Table 19.1 | List of BSCAN Non-Supported Pins .....  | 58 |

## 1. Overview

This manual is intended for being used by engineers that work on a circuit and PCB design that is equipped with an Ethernet communication LSI from the R-IN32M4-CL3 made by Renesas Electronics.

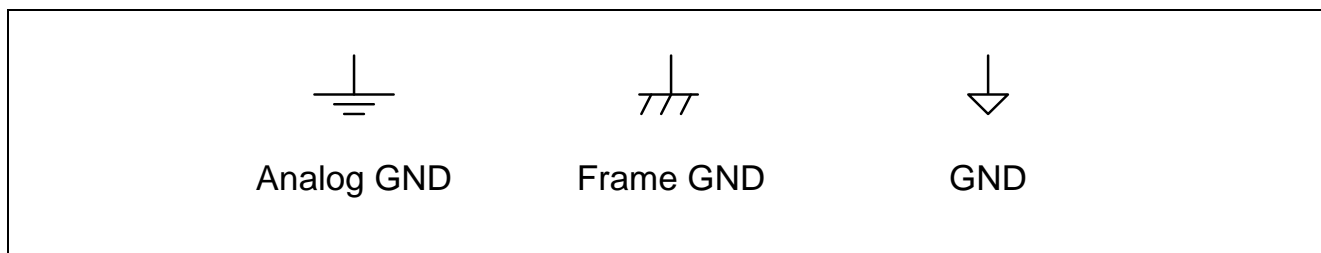
The target device is the R-IN32M4-CL3. It is recommended to study this manual carefully and to follow the recommendations during the circuit and board design.

### 1.1 Definition of Pin Handling and Symbols in This Manual

Pin handling and symbols are defined as follows in this manual.

**Table 1.1 Definition of Pin Handling**

|            | Description                      |
|------------|----------------------------------|
| Low level  | This pin is connected to GND.    |
| High level | This pin supplies VDD33 (3.3 V). |



**Figure 1.1 Definition of GND Symbols**

## 2. Power/Reset Pins

### 2.1 Power-On/Off Sequence

Table 2.1 lists external power supplies to R-IN32M4-CL3. In addition, Figure 2.1 and Figure 2.3 show the power-on/off sequence.

There is no particular rule for the power-on sequence. We recommend supplying external power voltage VDD11 first and then supplying external power voltage VDD33. On the other hand, when turning off the power, disconnect VDD33, then VDD11.

If VDD33 is supplied first, note that the I/O modes of the I/O buffers are not fixed and outputs become undefined over the period between VDD33 and VDD11 rising to their thresholds.

3.3 V must be applied to the input pins only after the power supply voltages have been applied.

**Table 2.1 External Power Supply**

| External Power Supply | Voltage [V]     | External Pin Name                |
|-----------------------|-----------------|----------------------------------|
| VDD33                 | $3.3 \pm 0.165$ | VDD33<br>VDDREG_33<br>AVDDREG_33 |
| VDD25                 | $2.5 \pm 0.125$ | VDD25A                           |
| VDD11                 | $1.15 \pm 0.06$ | VDD11<br>VDD11A<br>PLL_VDD       |

### 2.1.1 Power-On/Off Sequence without 2.5-V built-in Regulator

#### (1) Supplying Power Voltages

Supply power voltages so that the following two conditions are both satisfied.

1. The period from when VDD33, VDD25, or VDD11 reaches 10% VDD to when all of them reach 90% VDD or higher is within 100 ms.
2. The period from when VDD33, VDD25, or VDD11 reaches 95% VDD to when all of them reach 95% VDD or higher is within 50 ms.

#### (2) Turning Off Power Voltages

Turn off power voltages so that the following two conditions are both satisfied.

1. The period from when VDD33, VDD25, or VDD11 reaches 90% VDD to when all of them reach 10% VDD or lower is within 100 ms.
2. The period from when VDD33, VDD25, or VDD11 reaches 95% VDD to when all of them reach 95% VDD or lower is within 50 ms.

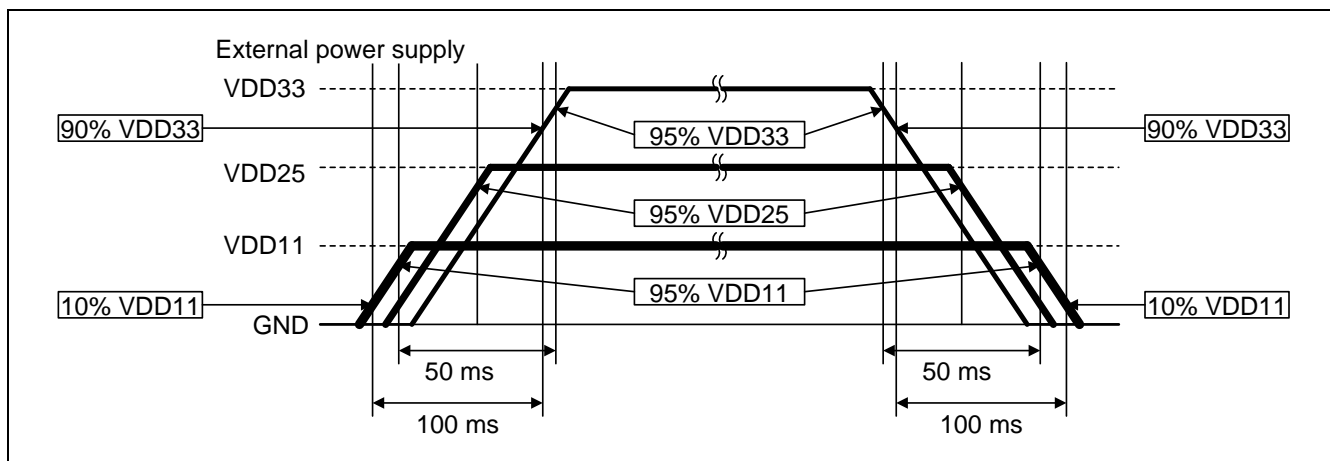


Figure 2.1 Power-On/Off Sequence (without 2.5-V built-in Regulator)

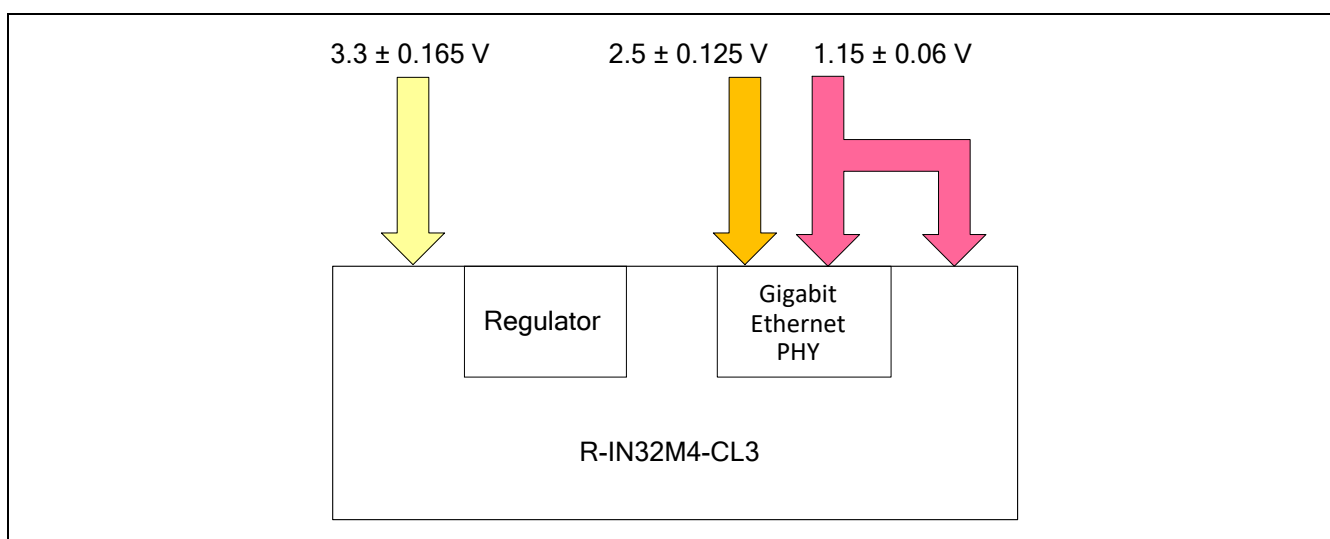


Figure 2.2 Power Supply Channel to R-IN32M4-CL3 (without 2.5-V built-in Regulator)

### 2.1.2 Power-On/Off Sequence with 2.5-V built-in Regulator

#### (1) Supplying Power Voltages

Supply power voltages so that the following two conditions are both satisfied.

1. The period from when VDD33 or VDD11 reaches 10% VDD to when both of them reach 90% VDD or higher is within 100 ms.
2. The period from when VDD33 or VDD11 reaches 95% VDD to when both of them reach 95% VDD or higher is within 49 ms.

#### (2) Turning Off Power Voltages

Turn off power voltages so that the following two conditions are both satisfied.

1. The period from when VDD33 or VDD11 reaches 90% VDD to when both of them reach 10% VDD or lower is within 100 ms.
2. The period from when VDD33 or VDD11 reaches 95% VDD to when both of them reach 95% VDD or lower is within 49 ms.

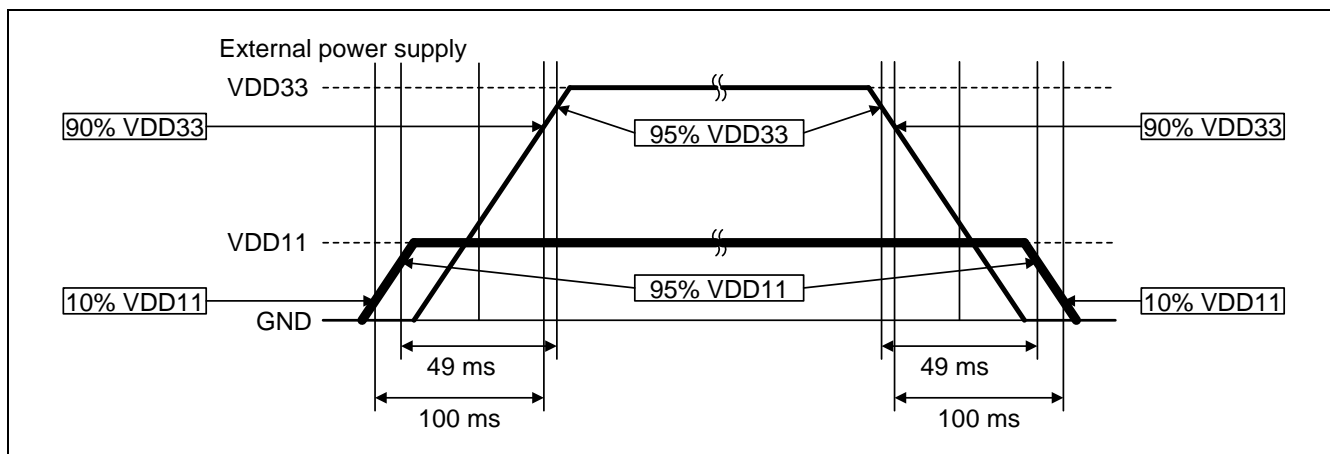


Figure 2.3 Power-On/Off Sequence (with 2.5-V built-in Regulator)

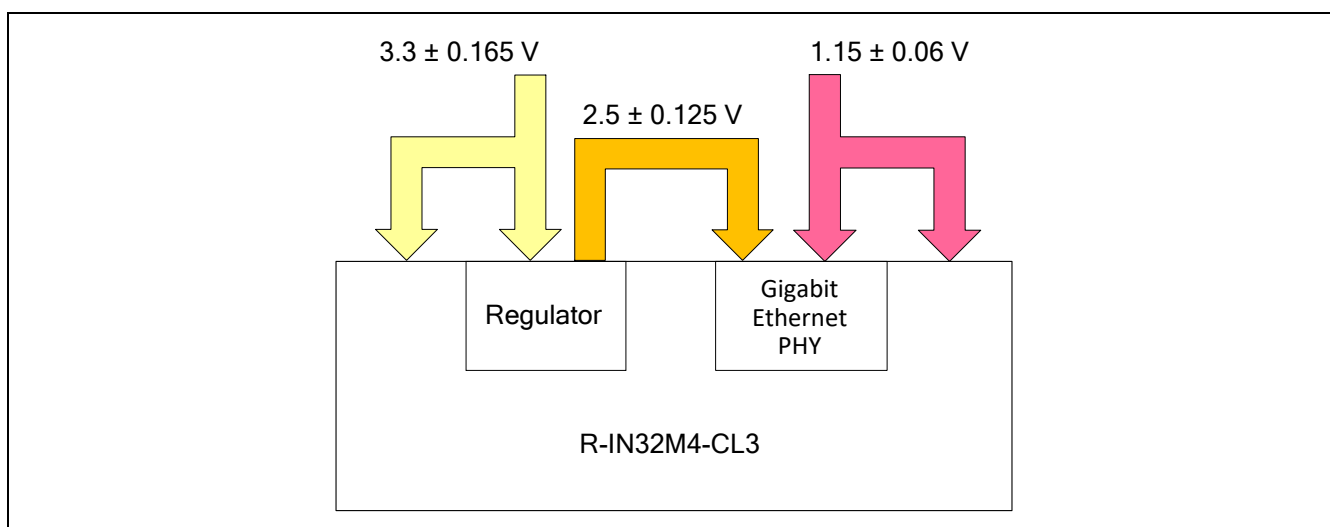


Figure 2.4 Power Supply Channel to R-IN32M4-CL3 (with 2.5-V built-in Regulator)



## 2.2 Power Supply Pins

This is a list of power supply pins of R-IN32M4-CL3. When designing with these pins, refer to the connection example as follows.

| Pin Name   | Function   | Reference for Connection Example  |
|------------|--|---|
| PLL_VDD    | PLL power supply (1.15 V)  | See Section 4, PLL Power Supply Pins.                                     |
| PLL_GND    | PLL_GND  | See Section 4, PLL Power Supply Pins.                                     |
| VDD33      | R-IN32M4 I/O power supply (3.3 V)                                | Supply power from the power unit such as a regulator or DC-DC converter.  |
| VDD11      | R-IN32M4 internal power supply (1.15 V)                          | Supply power from the power unit such as a regulator or DC-DC converter.  |
| GND        | Ground potential for power supply (GND)                          | Connect GND of the system (board).  |
| VDD25A     | GbE-PHY analog power supply (2.5 V)                              | See Section 6.1, Power Supply Peripheral Circuit.                         |
| VDD11A     | GbE-PHY analog power supply (1.15 V)                             | See Section 6.1, Power Supply Peripheral Circuit.                         |
| VDDREG_33  | 2.5-V built-in regulator power supply (3.3 V)                    | See Section 7, 2.5-V built-in Regulator Peripheral Circuit Configuration. |
| AVDDREG_33 | 2.5-V built-in regulator power supply (3.3 V)                    | See Section 7, 2.5-V built-in Regulator Peripheral Circuit Configuration. |
| AGND       | Ground potential for 2.5-V built-in regulator power supply (GND) | See Section 7, 2.5-V built-in Regulator Peripheral Circuit Configuration. |

## 2.3 Reset Pins

This is a list of reset pins of R-IN32M4-CL3.

As a width at low level of at least 1  $\mu$ s is required for the reset input signals, secure this by applying the low level of the reset signal over the oscillation stabilization time of the external oscillator (25 MHz).

In addition, de-assert the RESETZ and HOTRESETZ signals after de-asserting the PONRZ signal.

| Pin Name  | Function  | Reference for Connection Example |
|-----------|---|----------------------------------|
| PONRZ     | Power-on reset input (including built-in RAM initialization)    | —                                |
| RESETZ    | Reset input   | —                                |
| HOTRESETZ | Hot reset input (reset pin for bypass mode of CC-Link IE field) | —                                |
| TRSTZ     | JTAG reset signal   | See Section 15, JTAG/Trace Pins. |
| RSTOUTZ   | External reset output   | —                                |

### 3. Clock Input Pins

#### 3.1 Pin Functions

This is a list of pin functions of clock input pins.

| Pin Name              | Attribute | Function   |
|-----------------------|-----------|--|
| XT1                   | I/O       | Connects an external oscillator.<br>When OSCTH = 0, this pin functions as an output pin.<br>In external clock input mode (OSCTH = 1), drive XT1 to the low level.                            |
| XT2                   | Input     | Connects an external oscillator.<br>In external clock input mode (OSCTH = 1), the clock signal from an external oscillator is input via XT2.   |
| OSCTH <sup>Note</sup> | Input     | Selects the clock oscillation source to be connected to the clock pin.<br>Low level: XT1 and XT2 are to be connected to a resonator.<br>High level: XT2 is to be connected to an oscillator. |

**Caution:** For the AC characteristics of the input clock, refer to Section 29.8.1 (1) “Input Clock” in the “R-IN32M4-CL3 User's Manual: Hardware edition”.

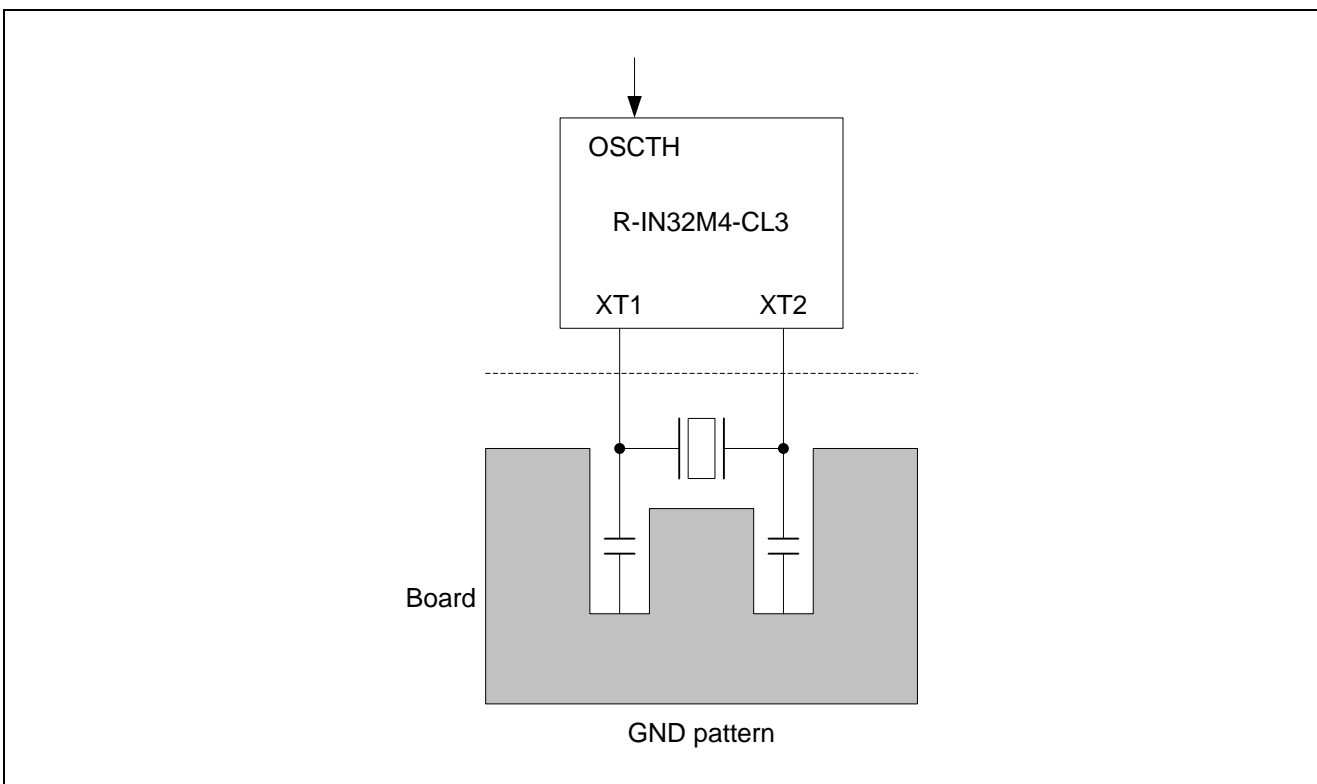
**Note:** Connection with an oscillator is recommended.

### 3.2 Notes on Configuring the Oscillation Circuit

As the R-IN32M4-CL3 includes an oscillation block, oscillation circuits are easily configurable by externally connecting a resonator and components for external constants. Though configuring an oscillation circuit is easy, the configured circuit is analog and operates at a high frequency, so notes that differ from the usual logic circuit configuration.

To achieve stable operation of the oscillation circuit, set components for external constants to the optimum values (capacitors on the input and output sides, and limiting resistors) and observe the following points required for an analog circuit.

- Place the oscillation circuit near the R-IN32M4-CL3.
- Place the oscillation circuit as far as possible from high-frequency input pins such as clock pins.
- Place the resonators and components for external constants immediately close to the input and output pins of oscillation circuit, and keep the connections as short as possible.
- Make the ground connections of the capacitors to the GND pins of R-IN32M4-CL3 as short and thick as possible.
- Make the lead wires between the resonator and capacitors as short as possible.
- Surround the components for external constant parts by as much GND wiring as is possible.



**Figure 3.1 Example of GND Pattern for the Components for External Constants**

In addition, the following points to note should be observed in evaluating and determining the external constants.

- The range of oscillating operation may vary due to the dielectric constant of the board's material, so use the actual printed circuit board that will be used in the finished design.
- Check use of the board with the developed R-IN32M4-CL3 and the actual resonator to be mounted on it.

### 3.3 Configuration Example of Oscillation Circuits

The following figure shows the configuration example of oscillation circuits.

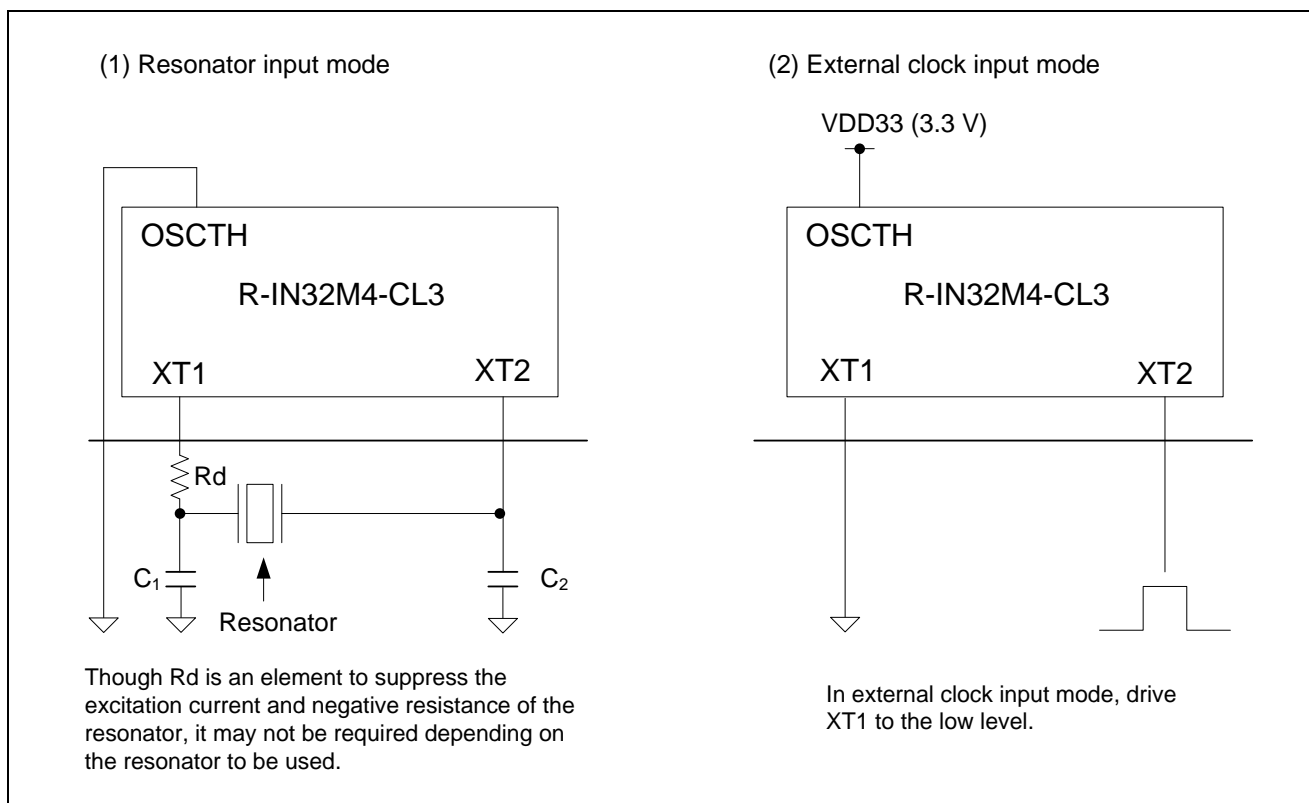


Figure 3.2 Configuration Example of the Oscillation Circuit

**Caution:** The input of the R-IN32M4-CL3 is fixed to 25 MHz.

When a resonator is to be used, contact the resonator manufacturer and ask for a corresponding part number and external constants.

Renesas recommends the following oscillator and resonator manufacturers.

- Nihon Dempa Kogyo Co., Ltd. (NDK)

<http://www.ndk.com/en/index.html>

- KYOCERA Crystal Device Corporation

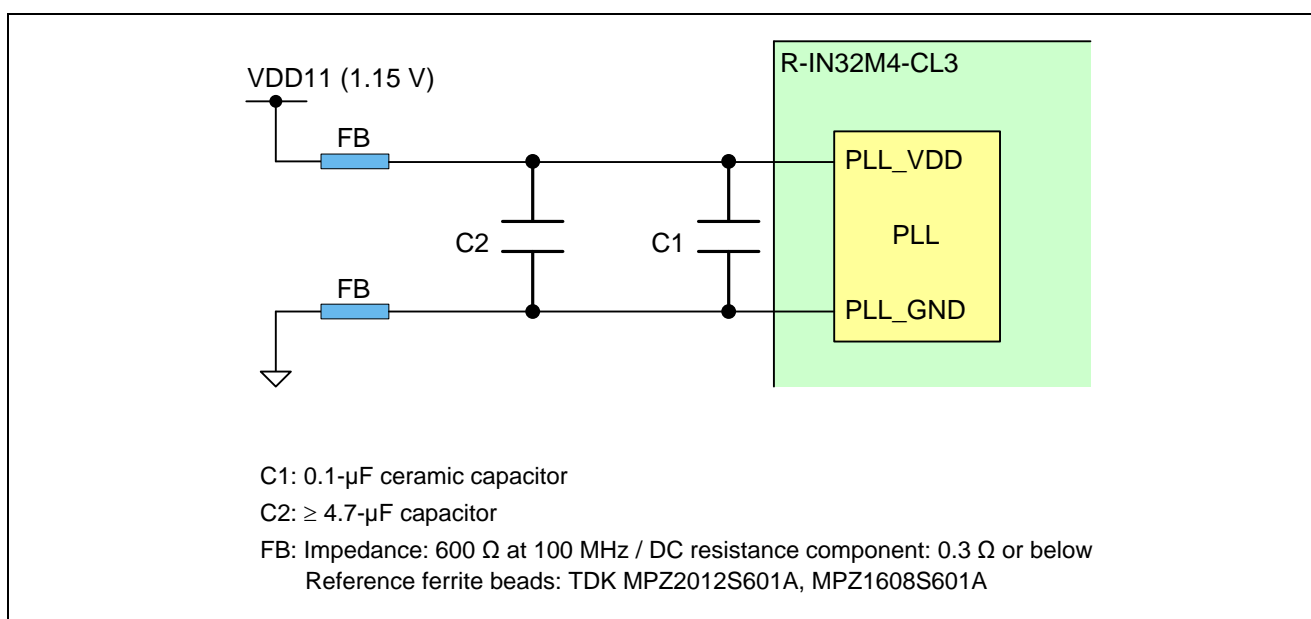
<https://global.kyocera.com/prdct/electro/product/crystal-device/>

## 4. PLL Power Supply Pins

The PLL circuit is susceptible to noise. To reduce the influence of noise, it is recommended to place filters in the power supply pins of the PLL. In addition, to reduce the effects of noise between the power supplies for the board and PLL, the use of ferrite beads is recommended.

### 4.1 Recommended Configuration of Filter

Figure 4.1 shows the recommended configuration of the filter for the PLL power supply pins.



**Figure 4.1 Recommended Configuration of Filter**

**Caution: Place C1 immediately close to R-IN32M4-CL3.**

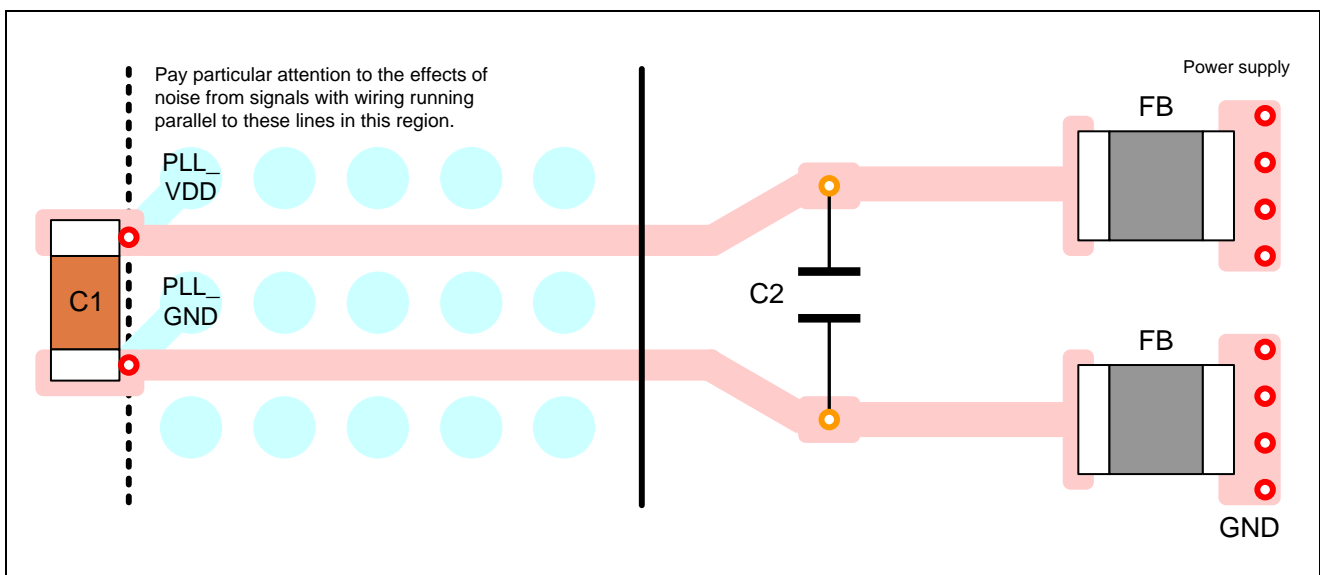
**If C2 is not placed immediately close to R-IN32M4-CL3, this will not cause any problems.**

## 4.2 Notes on Placement of Peripheral Components

The 0.1- $\mu$ F ceramic capacitor (C1) should be placed immediately close to R-IN32M4-CL3 (in the immediate vicinity of the pin).

Figure 4.2 is a schematic view from below the board.

In addition, the wiring patterns for the electrolytic capacitor (C2) and ferrite beads running parallel to other signal lines should be avoided.



**Figure 4.2 Schematic View from Below the Board**

**Caution:** PLL\_VDD and PLL\_GND lines should be as short and thick as possible in PCB wiring. Longer wiring leads to stronger crosstalk because the LC components of the wiring increase, more readily leading to effects.

## 5. GPIO Port Pins

GPIO is a general-purpose I/O port. As for the internal configuration, see the section in the following document.

Section 27 “Port Functions” in the “R-IN32M4-CL3 User’s Manual: Hardware edition”



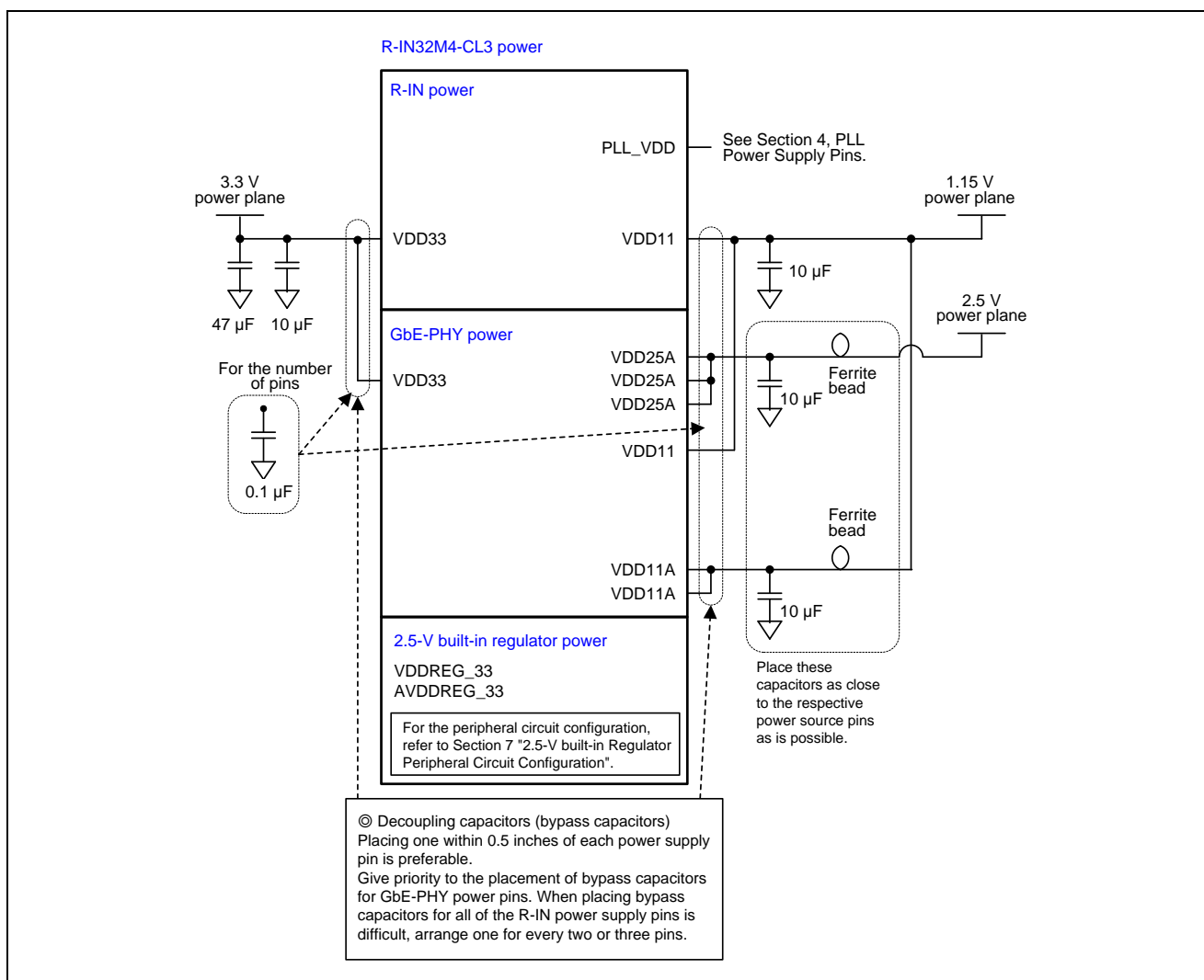
## 6. Gigabit Ethernet PHY Pins

Since the Gigabit Ethernet PHY interface handles high-speed transfer, designing the board pattern for it and other components requires full consideration on numerous points.

Design it in accord with the advice in this section.

### 6.1 Power Supply Peripheral Circuit

#### 6.1.1 Circuit Configuration



**Figure 6.1 Configuration of Gigabit Ethernet PHY Power Supply Peripheral Circuit**

### 6.1.2 Recommended Components

#### (1) Ceramic capacitors

We recommend using components that satisfy the following conditions.

Capacitors: 47  $\mu$ F, 10  $\mu$ F, and 0.1  $\mu$ F

Thermal characteristic: X5R or X7R

ESR: No more than 0.1  $\Omega$  (from 100 kHz to 100 MHz)

**Table 6.1 Example of Recommended Components of Ceramic Capacitors**

| Manufacturer | Part Number         | Capacitance |
|--------------|---------------------|-------------|
| TDK          | C32165R1C476M1160AB | 47 $\mu$ F  |
| TDK          | C2012X5R1C106K085AC | 10 $\mu$ F  |

#### (2) Ferrite beads

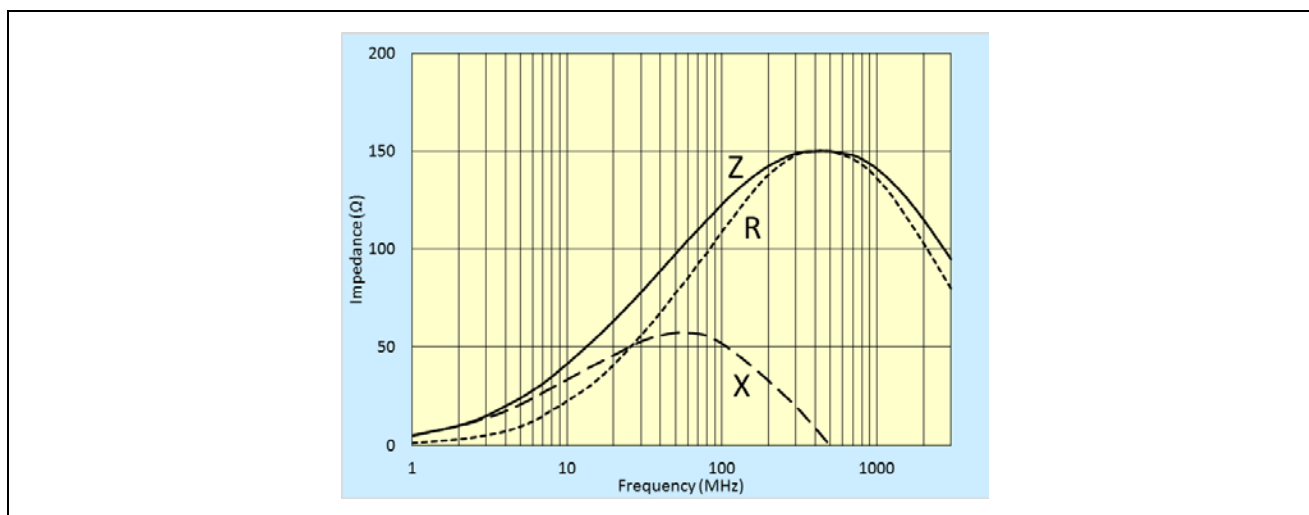
We recommend using components that satisfy the following conditions.

Impedance: At least 80  $\Omega$  (at 100 MHz)

Use beads with a high impedance in which the resistive component is dominant.

Rated current: At least 2 A

DC resistance: No more than 50 m $\Omega$



**Figure 6.2 Example of Recommended Impedance Characteristics with Frequency of Ferrite Beads**

**Table 6.2 Example of Recommended Components of Ferrite Beads**

| Manufacturer | Part Number   | Impedance             | Rated Current | DC Resistance |
|--------------|---------------|-----------------------|---------------|---------------|
| muRata       | BLM18PG121SN1 | 120 $\Omega \pm 25\%$ | 2 A           | 50 m $\Omega$ |
| muRata       | BLM21PG121SN1 | 120 $\Omega \pm 25\%$ | 3 A           | 30 m $\Omega$ |

## 6.2 Peripheral Circuit of Pulse Transformer

An example of the circuit configuration for the Gigabit Ethernet PHY, pulse transformers, and RJ-45 connector, and recommended pulse transformer products are shown below.

### 6.2.1 Example of Circuit Configuration

The circuits should be connected as shown in the following figure.

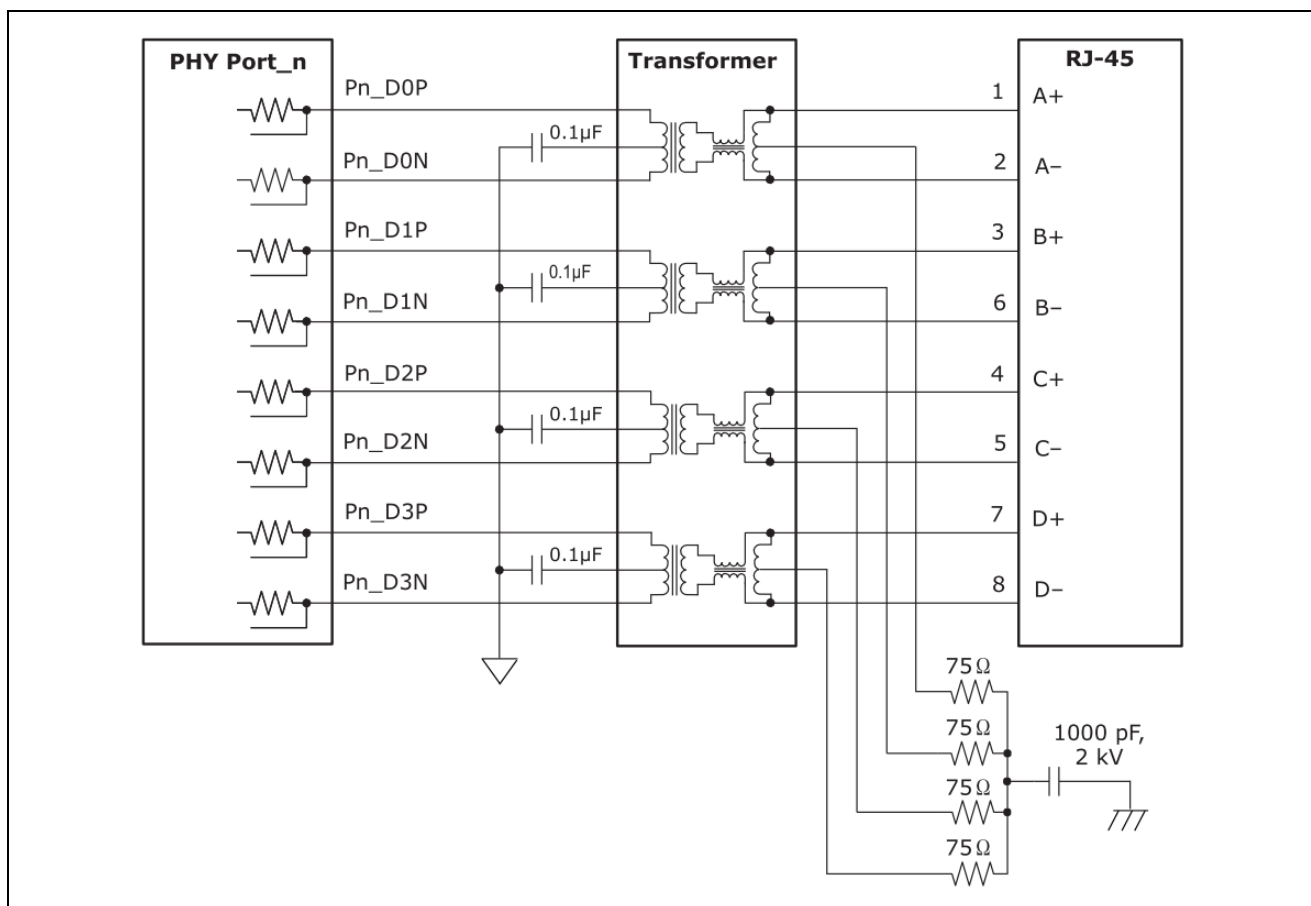


Figure 6.3 Peripheral Connection Example of Pulse Transformer

**Remark:** n = 0, 1

### 6.2.2 Recommended Components

We recommend using pulse transformer that satisfy the following conditions.

We also recommend the constitution illustrated in Transformer of Figure 6.3.

Common-mode chokes are not required on the R-IN32M4-CL3 (PHY side) and is mounted on the connector.

Winding ratio: 1:1 ( $\pm 2\%$  or less, or  $\pm 3\%$ ) recommended

Return loss (see Figure 6.4): -18dB or less (from 1.0 MHz to 40 MHz)

$-(12-20\log(f/80))\text{dB}$  or less (from 40 MHz to 100 MHz) \*f: Frequency

**Caution: We recommend as little variation in return loss from 1.0 MHz to 40 MHz as possible.  
The impedance is 85, 100, or 115  $\Omega$ .  
For details, contact the corresponding manufacturer.**

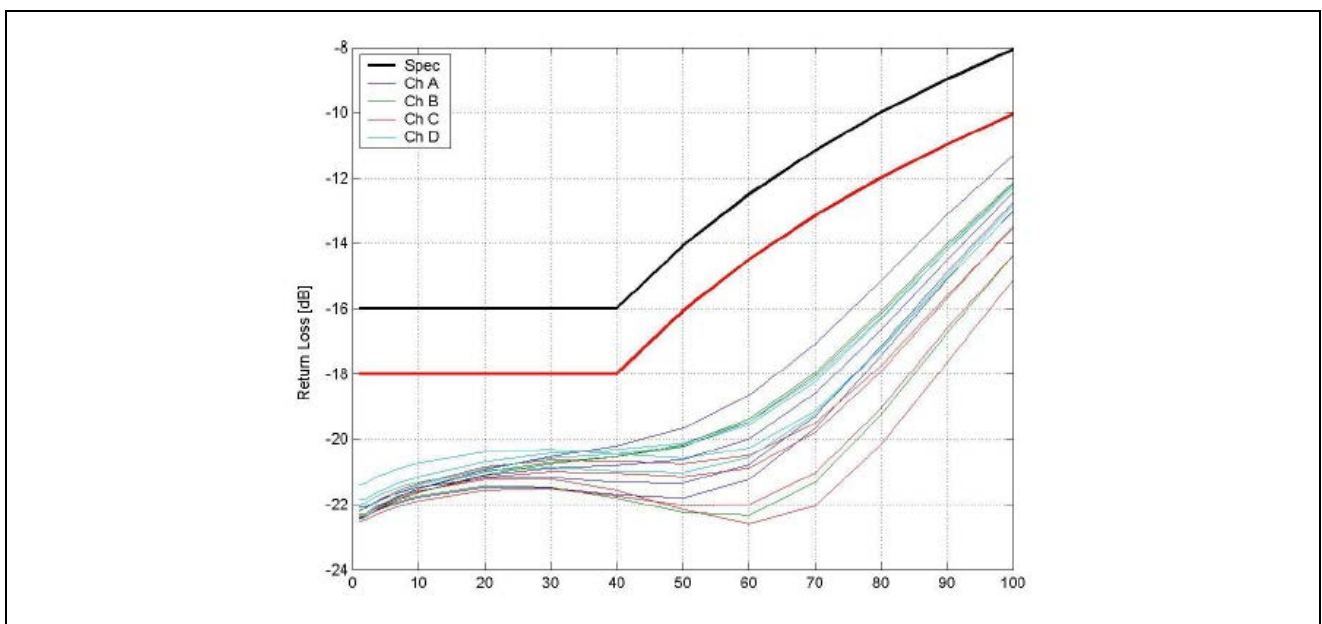


Figure 6.4 Example of Return Loss of Pulse Transformer

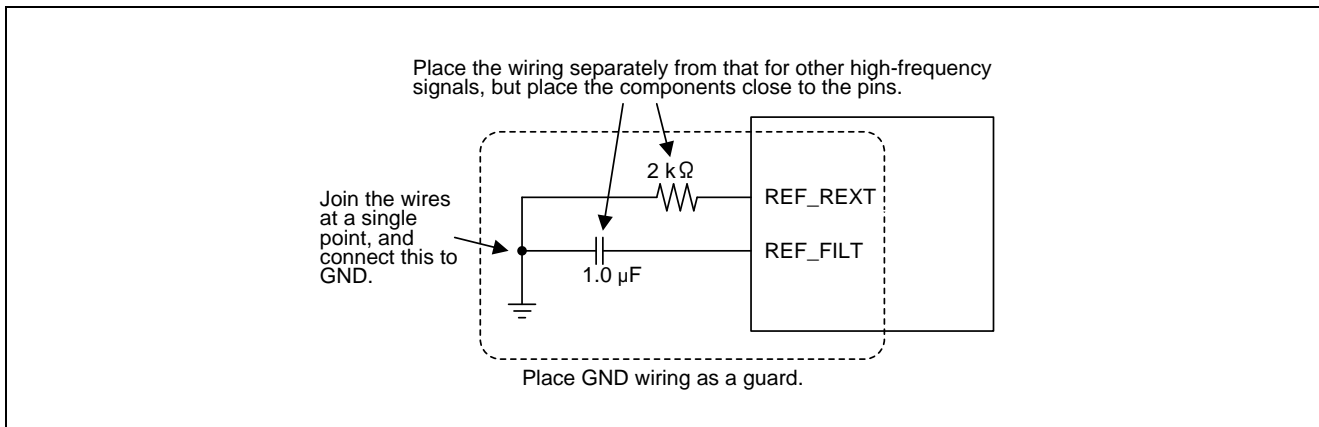
Recommended components of the pulse transformer as listed below.

|              |                   |
|--------------|-------------------|
| Manufacturer | Product Type Name |
| Pulse        | H5008NL           |

### 6.3 REF\_REXT and REF\_FILT Pins

The method of handling the REF\_REXT and REF\_FILT pins and recommended values for the connected components are shown below.

#### 6.3.1 Example of Circuit Configuration



**Figure 6.5 Example of Circuit Configuration for REF\_REXT and REF\_FILT**

#### 6.3.2 Recommended Resistors

We recommend using components that satisfy the following conditions.

Resistance value: 2 kΩ, 1% accuracy

Rated power: At least 0.0625 W

#### 6.3.3 Recommended Ceramic Capacitors

We recommend using components that satisfy the following conditions.

Capacitance: 1.0 μF, 10% accuracy

Thermal characteristic: C0G, X7R, or X5R

## 6.4 Notes on Board Wiring

Pay attention to the following notes when placing the wiring on the board.

- Avoid long wiring runs. We recommend placing the pulse transformer and the connector immediately as close as possible to R-IN32M4-CL3.
- The components should be placed so that differential signal traces of TxP/N and RxP/N do not cross.
- Differential signal traces should be routed straight and as short as possible.
- Bends in lines should be at angles of at least 135 degrees. (Figure 6.7)
- Differential signal traces between the R-IN32M4-CL3, pulse transformer, and RJ-45 connector should be designed with a differential impedance of  $100\ \Omega \pm 10\%$  and with an impedance of  $50\ \Omega$  relating to GND.
- Differential signal traces between the R-IN32M4-CL3 and pulse transformer, and those between the pulse transformer and RJ-45 connector, should be equal in length. 0.5 mm is the maximum deviation. Each of the differential signal traces in each pair must be as nearly equal in length as is possible.
- The designs of signal lines for differential signals should be symmetrical. They should run parallel to each other and be routed in the same layer. Placement of components, via holes, and the like should also be symmetrical.
- Branches in signal lines act as stubs and should thus be avoided.
- Place traces for differential signals with separation from those for other signals. We recommend the width of the gap to another signal line be at least five times the width of each differential signal trace.
- Differential signal traces should not cross edges of the power/GND planes. The GND plane is desirable as the layer below the differential signal trace.
- Do not place any wiring, including any part of the power and GND planes, below the pulse transformer.
- Differential signal traces should be routed via as few via holes as possible. If via holes are essential, pay attention to the following points.
  - We recommend via holes for the related power and GND planes to be placed near the signal vias. The width between the via holes for a signal and GND should be equal to the distance between the layers to avoid a discontinuity in the impedance.
  - Metal (wiring or via) close to the differential signal via holes could affect the impedance.
  - The diameter of a via hole should be almost equal to the width of the trace.

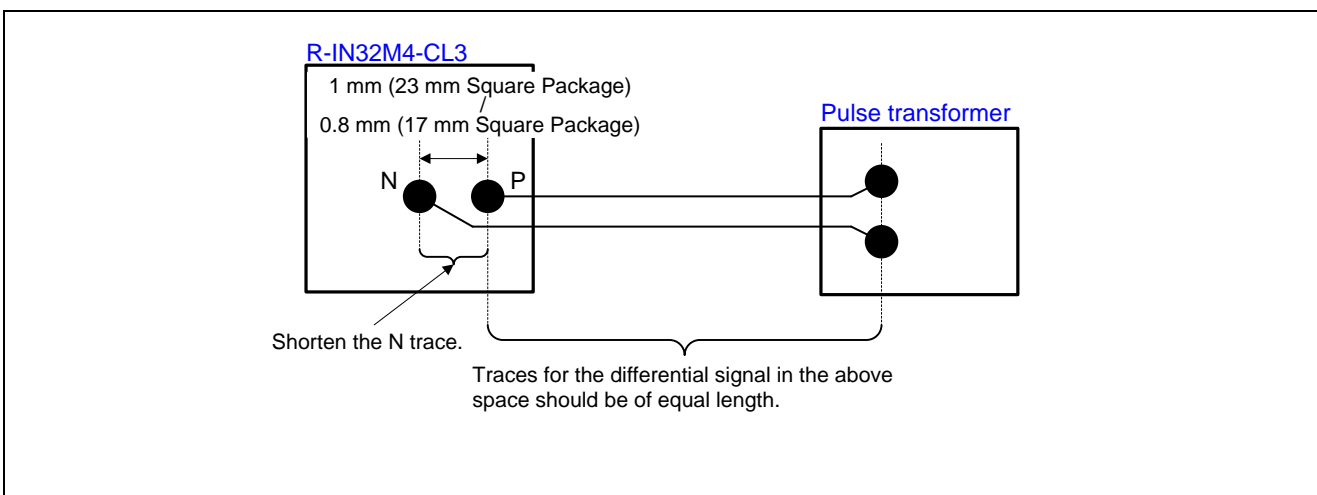


Figure 6.6 Example of Wiring for Differential Signals (1)

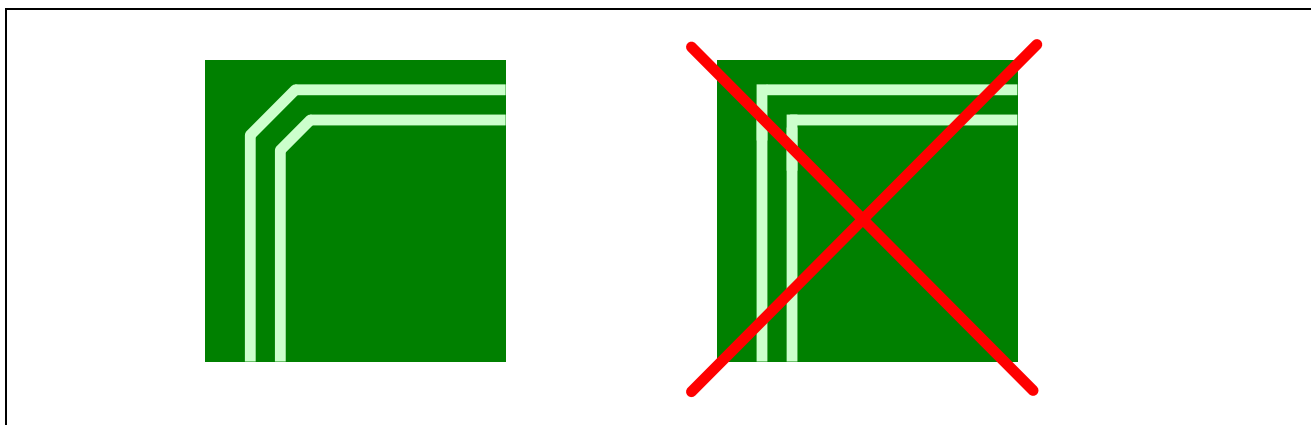


Figure 6.7 Example of Wiring for Differential Signals (2)

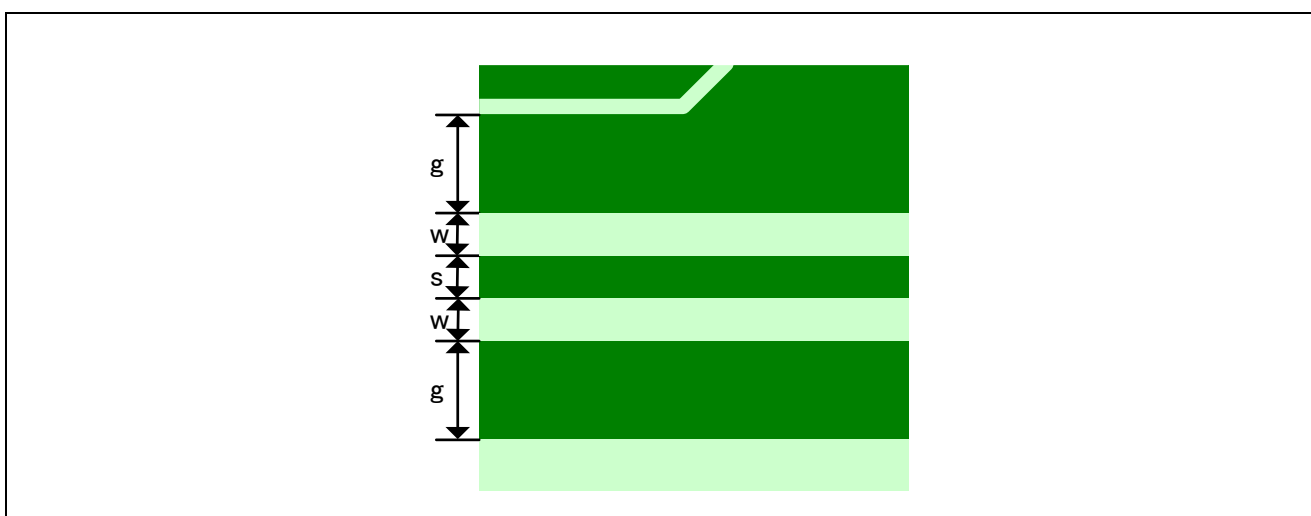


Figure 6.8 Example of Wiring for Differential Signals (3)

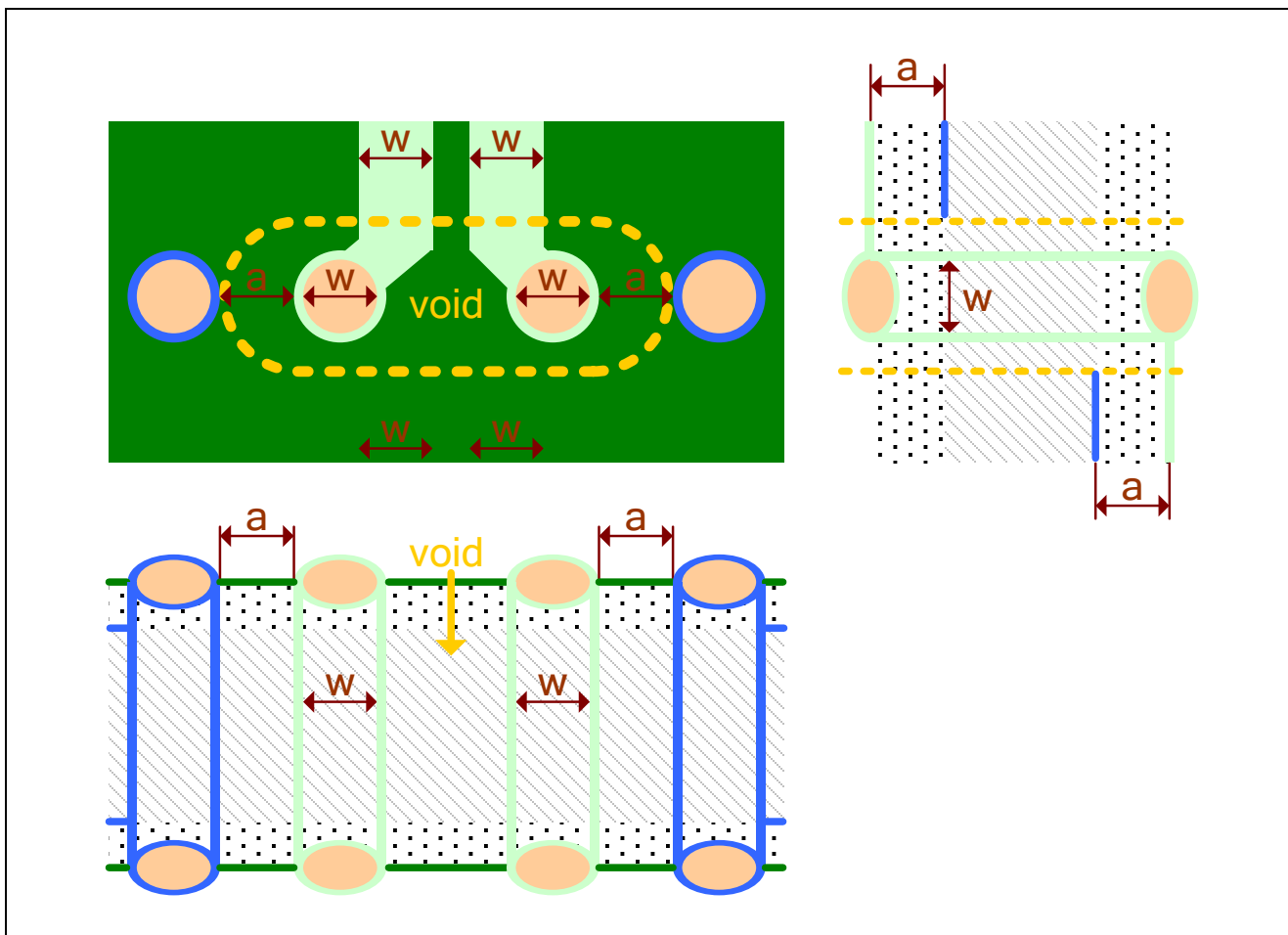


Figure 6.9 Example of Wiring for Differential Signals (4)

### 6.5 Unused GbE-PHY

Comply with the following requirements even when GbE-PHY is not in use.

- Always power supply to the VDD25A and VDD11A pins.
- The method of handling the REF\_REXT and REF\_FILT pins is the same way as for normal operation. (See Section 6.3, REF\_REXT and REF\_FILT Pins.)
- MDI signal (P[0:1]\_D[3:0]N, P[0:1]\_D[3:0]P) pins are open.

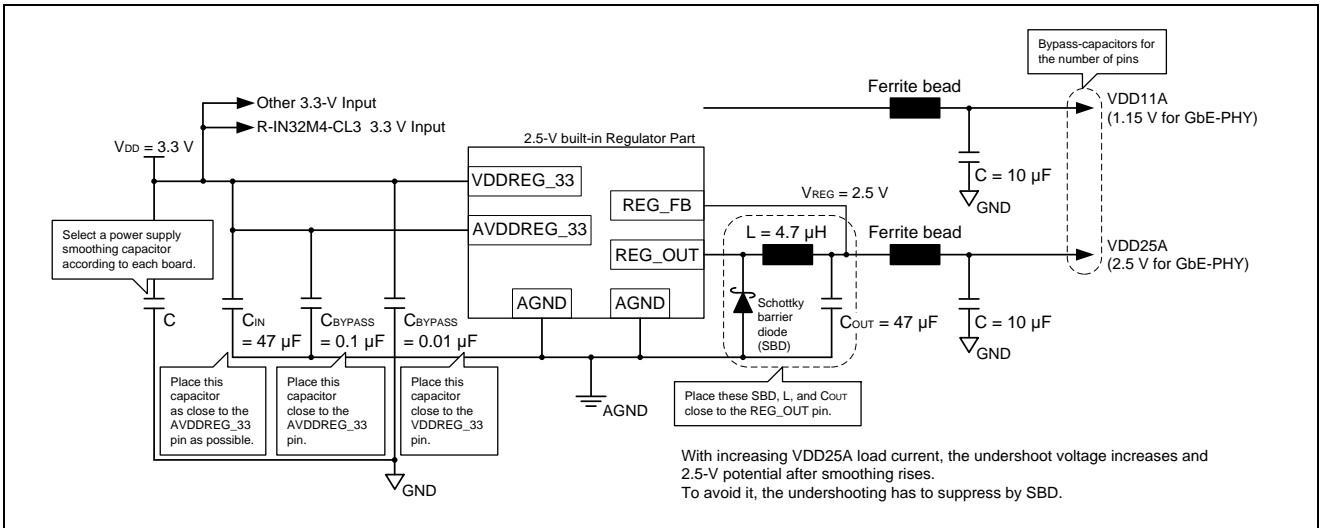


## 7. 2.5-V built-in Regulator Peripheral Circuit Configuration

This section describes the peripheral circuit configuration of the 2.5-V built-in regulator installed in R-IN32M4-CL3.

### 7.1 Peripheral Connection Configuration with 2.5-V built-in Regulator

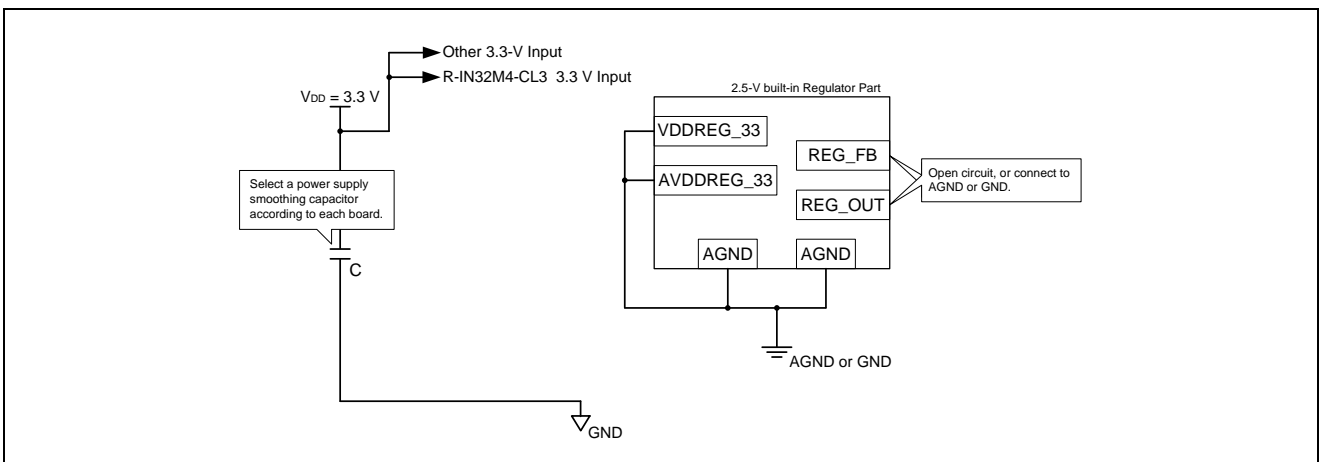
This figure shows a peripheral connection configuration with the 2.5-V built-in regulator.



**Figure 7.1 Peripheral Connection Configuration with 2.5-V built-in Regulator**

### 7.2 Peripheral Connection Configuration without 2.5-V built-in Regulator

This figure shows a peripheral connection configuration without the 2.5-V built-in regulator.



**Figure 7.2 Peripheral Connection Configuration without 2.5-V built-in Regulator**

### 7.3 Recommended Components of Inductor and Capacitors

The inductor and ceramic capacitors recommended for L and C<sub>IN</sub>, C<sub>OUT</sub>, and C<sub>BYPASS</sub> are shown.

#### (1) Inductor (L)

- Inductance: 4.7  $\mu$ H  $\pm$  30%
- DC resistance: Max 100 m $\Omega$
- Rated current: Min 600 mA

**Table 7.1 Example of Recommended Component of Inductor**

| Manufacturer | Part Number    | Inductance  |
|--------------|----------------|-------------|
| TDK          | VLS5045EX-4R7M | 4.7 $\mu$ H |

#### (2) Ceramic Capacitors (C<sub>IN</sub>, C<sub>OUT</sub>, C<sub>BYPASS</sub>)

- Capacitance: 47  $\mu$ F (C<sub>IN</sub>), 47  $\mu$ F (C<sub>OUT</sub>), 0.1  $\mu$ F (C<sub>BYPASS</sub> for AVDDREG\_33), and 0.01  $\mu$ F (C<sub>BYPASS</sub> for VDDREG\_33)
- Thermal characteristic: X5R or X7R
- ESR (C<sub>IN</sub>): Max 20 m $\Omega$  (from 700 kHz to 1.3 MHz)  
ESR (C<sub>OUT</sub>): Max 100 m $\Omega$  (from 700 kHz to 1.3 MHz)

**Table 7.2 Capacitance Definition (C<sub>IN</sub>, C<sub>OUT</sub>)**

| C                | Capacitance | lower limit | upper limit   |
|------------------|-------------|-------------|---------------|
| C <sub>IN</sub>  | 47 $\mu$ F  | 10 $\mu$ F  | no definition |
| C <sub>OUT</sub> | 47 $\mu$ F  | 14 $\mu$ F  | 200 $\mu$ F   |

Select the components in considering the DC bias and temperature characteristics.

**Table 7.3 Example of Recommended Components of Ceramic Capacitors**

| C                | Manufacturer | Part Number         | Capacitance |
|------------------|--------------|---------------------|-------------|
| C <sub>IN</sub>  | TDK          | C2012X5R1A476M125AC | 47 $\mu$ F  |
| C <sub>OUT</sub> | TDK          | C2012X5R1A476M125AC | 47 $\mu$ F  |

### 7.4 Recommended Component of Schottky barrier diode

Recommended Schottky barrier diode specifications are shown.

- Forward voltage: about 0.4 V (smaller is better)
- Forward current: 1.0 A or more
- Terminal capacitance: about 60 pF @ 3 V (smaller is better)

**Table 7.4 Example of Recommended Components of Schottky barrier diode**

| Manufacturer | Part Number |
|--------------|-------------|
| TOSHIBA      | CUS10F30    |
| TDK          | RSX101VAM30 |

The above components were selected based on the specifications. It is necessary to select a component based on a customer's evaluation.

### 7.5 Example of PCB Layout Image (23 mm Square BGA Package)

This section describes the peripheral circuit configuration of the 2.5-V built-in regulator installed in the R-IN32M4-CL3 in a 23 mm square BGA package.

#### 7.5.1 L1 and L2 (23 mm Square BGA Package)

Followings are layout conditions and an example of PCB layout image (at the lower left of the L1 and L2).

- Separate AGND of the built-in regulator from Digital GND as far as possible.
- Do not pass through AGND under the MDI signal and the inductor component (L).

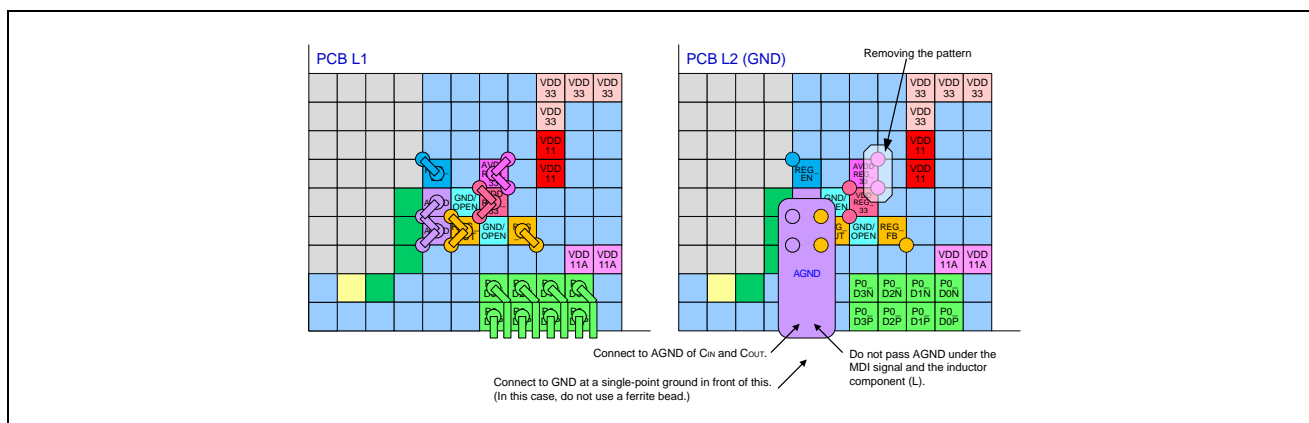


Figure 7.3 Example of PCB Layout Image (L1 and L2) (23 mm Square BGA Package)

#### 7.5.2 L3 and L4 (23 mm Square BGA Package)

Followings are layout conditions and an example of PCB layout image (at the lower left of the L3 and L4).

- Place  $C_{BYPASS}$  as close to the power supply pins (VDDREG\_33 and AVDDREG\_33). Also, place L,  $C_{IN}$ , and  $C_{OUT}$  as close to the relevant pins as possible. In particular, placement of  $C_{IN}$  is a high priority.
- Minimize the parasitic inductance of AVDDREG\_33 pattern as small as possible.

The AVDDREG\_33, AGND, and REG\_OUT signals should be careful to avoid affecting other signals.

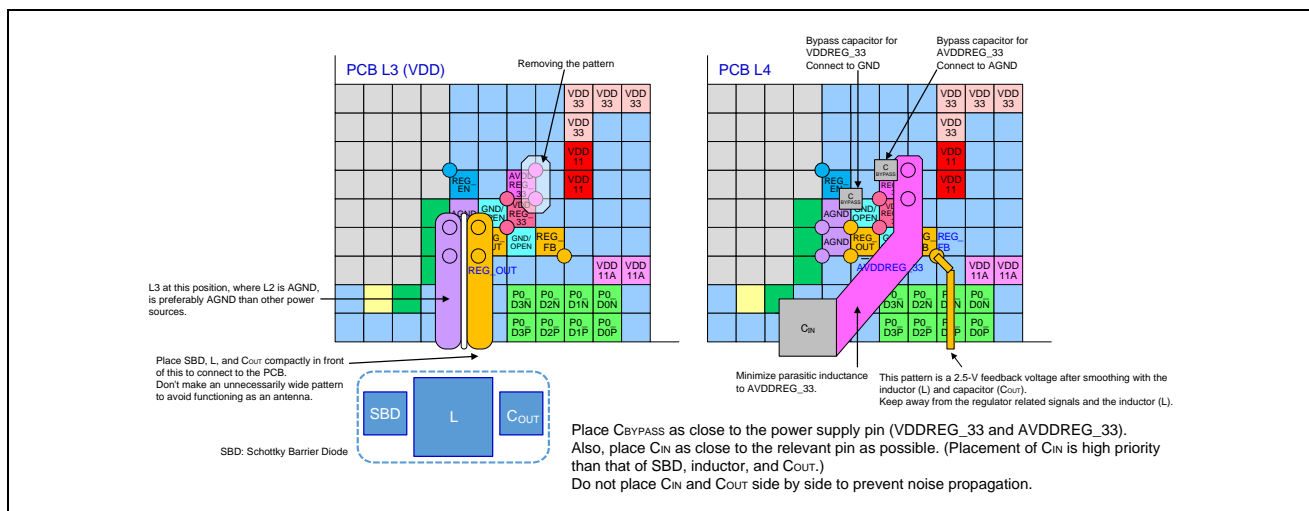


Figure 7.4 Example of PCB Layout Image (L3 and L4) (23 mm Square BGA Package)

## 7.6 Example of PCB Layout Image (17 mm Square BGA Package)

This section describes the peripheral circuit configuration of the 2.5-V built-in regulator installed in the R-IN32M4-CL3 in a 17 mm square BGA package.

### 7.6.1 L1 and L2 (17 mm Square BGA Package)

Followings are layout conditions and an example of PCB layout image (at the lower left of the L1 and L2).

- Separate AGND of the built-in regulator from Digital GND as far as possible.
- Do not pass through AGND under the MDI signal and the inductor component (L).
- Place  $C_{BYPASS}$  as close to the power supply pins (VDDREG\_33 and AVDDREG\_33).  
Also, place L,  $C_{IN}$ , and  $C_{OUT}$  as close to the relevant pins as possible. In particular, placement of  $C_{IN}$  is a high priority.
- Minimize the parasitic inductance of AVDDREG\_33 pattern as small as possible.

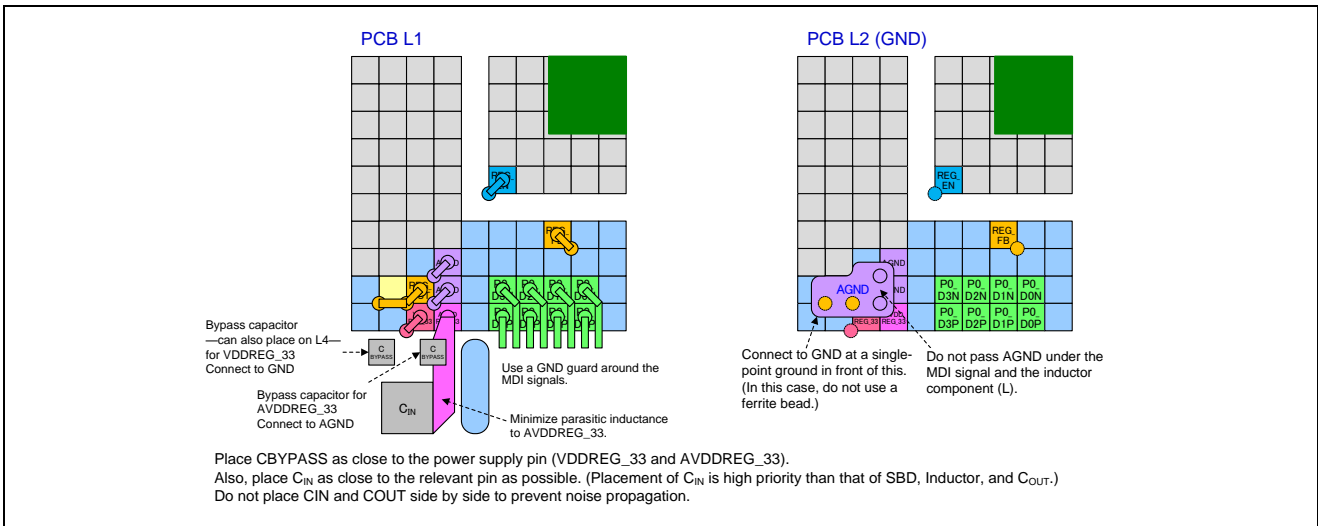


Figure 7.5 Example of PCB Layout Image (L1 and L2) (17 mm Square BGA Package)

### 7.6.2 L3 and L4 (17 mm Square BGA Package)

Followings are layout conditions and an example of PCB layout image (at the lower left of the L3 and L4).

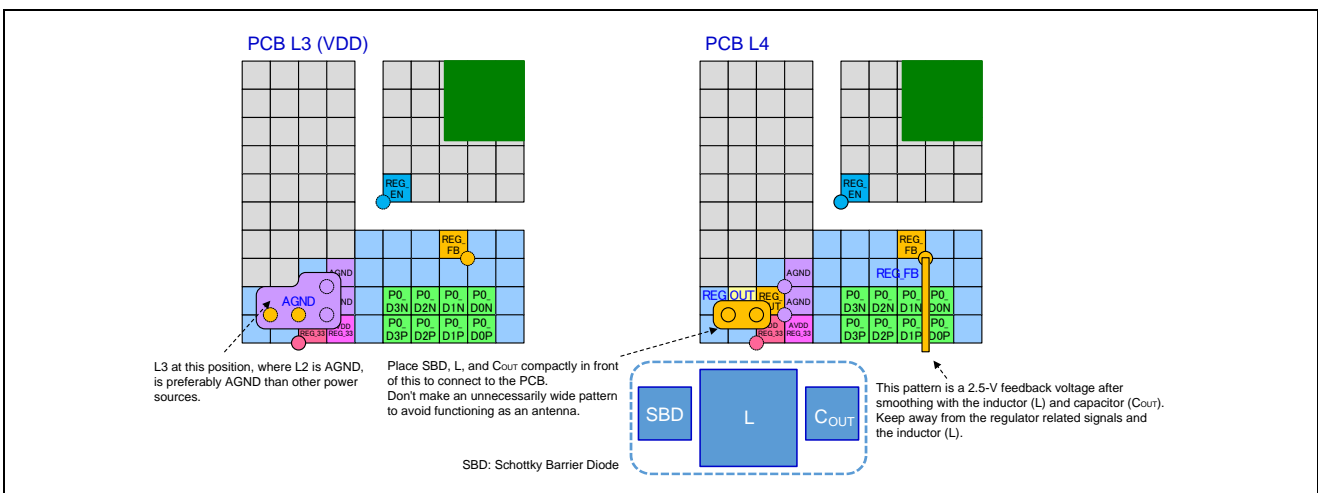


Figure 7.6 Example of PCB Layout Image (L3 and L4) (17 mm Square BGA Package)

## 7.7 Requirements for Parasitic Resistances and Parasitic Inductances in PCB

In this PCB layout, draw patterns so that the parasitic resistances and the parasitic inductances satisfy the followings.

**Table 7.5 Requirements for Parasitic Resistances and Parasitic Inductances in PCB**

| Ball<br>(23 mm Square<br>BGA Package) | Ball<br>(17 mm Square<br>BGA Package) | Pin Name   | Parasitic<br>Resistance    | Parasitic<br>Inductance |   |
|---------------------------------------|---------------------------------------|------------|----------------------------|-------------------------|---|
| G6                                    | D1                                    | AVDDREG_33 | $\leq 40 \text{ m}\Omega$  | $\leq 4 \text{ nH}$     | From ball to $C_{IN}$   |
| E4, E5                                | D2, D3                                | AGND       | $\leq 40 \text{ m}\Omega$  | $\leq 4 \text{ nH}$     | From ball to $C_{IN}$   |
| F4                                    | C2                                    | REG_OUT    | $\leq 40 \text{ m}\Omega$  | —                       | From ball to inductor (L)   |
| H4                                    | H4                                    | REG_FB     | $\leq 400 \text{ m}\Omega$ | $\leq 15 \text{ nH}$    | From ball to the connection point of the inductor (L) and $C_{OUT}$ |

## 8. Thermal Design

This section describes the thermal characteristics of the R-IN32M4-CL3, and includes notes that require attention in the design of the board on which the device is mounted in terms of the dissipation of heat and the prevention of abnormal heating. Since the R-IN32M4-CL3 incorporates a Gigabit Ethernet PHY module and large-capacity memory, it requires greater consideration of heat than most devices.

Design the board and casing in consideration of heat dissipation.

### 8.1 Deciding on whether Particular Measures for Heat Dissipation are Required

#### 8.1.1 Estimating $T_j$

Take  $T_j \leq 125^\circ\text{C}$  as the criterion for  $T_j$  of the R-IN32M4-CL3. Estimate  $T_j$  from the following formulae.

$$T_j = T_t + \Psi_{jt} \times \text{power} \text{ or } T_j = T_a + \theta_{ja} \times \text{power}$$

$T_j$ : Junction temperature [ $^\circ\text{C}$ ]

$T_t$ : Package surface temperature [ $^\circ\text{C}$ ]

$T_a$ : Ambient temperature [ $^\circ\text{C}$ ]

$\theta_{ja}$ : Thermal resistance [ $^\circ\text{C}/\text{W}$ ] between the junction (at temperature  $T_j$ ) and the ambient environment (at  $T_a$ )  
(See 8.1.3, Thermal Resistances under the JEDEC Conditions (for  $\theta_{ja}$  and  $\Psi_{jt}$ )).

$\Psi_{jt}$ : Thermal resistance [ $^\circ\text{C}/\text{W}$ ] between the junction (at temperature  $T_j$ ) and the surface of the package (at  $T_t$ )  
(See 8.1.3, Thermal Resistances under the JEDEC Conditions (for  $\theta_{ja}$  and  $\Psi_{jt}$ )).

Power: Power dissipation [W]

(1.15-V sub-systems + 2.5-V sub-systems + 3.3-V sub-systems)

If  $T_j \leq 125^\circ\text{C}$  is satisfied, the semiconductor device does not require further measures for heat dissipation.

However, if the semiconductor device is to be installed in ways that have varying criteria for determining increases in temperature, prepare measures for heat dissipation as required.

If  $T_j \leq 125^\circ\text{C}$  is not satisfied, heat dissipation solutions are necessary.

#### 8.1.2 Estimating Power Consumption

For the 3.3-V, 2.5-V, and 1.15-V sub-systems, estimate the power consumption from the value for current on the R-IN32M4-CL3 user's manual.

#### 8.1.3 Thermal Resistances under the JEDEC Conditions (for $\theta_{ja}$ and $\Psi_{jt}$ )

The thermal resistances under the JEDEC-2S2P conditions are as follows.

However, these values are for the devices alone; care is required since the actual thermal resistances will depend on the board, casing, and peripheral components.

|  | $\theta_{ja}$ [ $^\circ\text{C}/\text{W}$ ] | $\Psi_{jt}$ [ $^\circ\text{C}/\text{W}$ ] |
|--|---|---|
| R-IN32M4-CL3, 23 mm Square BGA Package | 19.8  | 0.35                                      |
| R-IN32M4-CL3, 17 mm Square BGA Package | 20.6  | 0.36                                      |

The thermal resistance value  $\theta_{ja}$  of R-IN32M4-CL3 varies depending on the mounting board, housing, and peripheral components.

If there are criteria for increases in temperature ( $\Delta t = T_t - T_a$ ) as a final product, prepare measures to obtain  $\theta_{ja}$  that achieves the target  $\Delta t$ , referring to section 8.2, Examples of Measures for Heat Dissipation.

## 8.2 Examples of Measures for Heat Dissipation

We classify measures for heat dissipation into two types. For details, see the following pages.

- (1) Measures for heat release in designing the board
  - Take these types of measures into consideration when designing the board.
  - The following measures are highly effective, so implement them as a matter of course.
    - (I) Thermal vias
    - (II) VDD/GND pattern
    - (III) Increase the number of board layers, and bring the GND pattern out to the surface layer.<sup>Note1</sup>
    - (IV) Consider other factors of placement that will affect heat flows and take the appropriate action.<sup>Note2</sup>
- (2) Heat dissipation from the periphery (including the casing)
  - If the measures listed in (1) above still don't achieve your criterion for  $\Delta t$  or satisfy the condition  $T_j = 125^\circ\text{C}$  or below, further measures for heat dissipation in the form of heat sinks or heat dissipating gels should be applied, including for the casing as a whole if this is required.

- Notes 1. If increasing the number of layers in the board is difficult, bring the GND pattern out to the surface layer and make as many via connections between the GND patterns in different layers as are possible.**
- 2. Take special care in placement in terms of the regulator, since this operates at particularly high temperatures.**

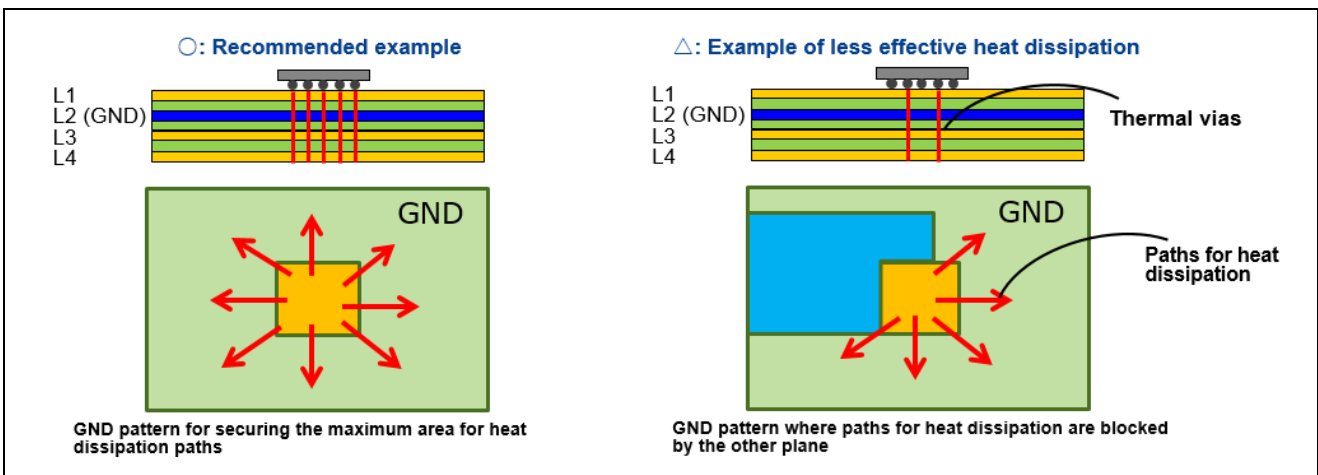
### 8.2.1 Measures for Heat Release in Designing the Board

#### (1) Thermal Vias

Placing as many vias to the power supply and GND areas as possible below the center of the package increases the number of paths for the flow of heat in the z direction. We recommend placing one via for each power supply and GND ball.

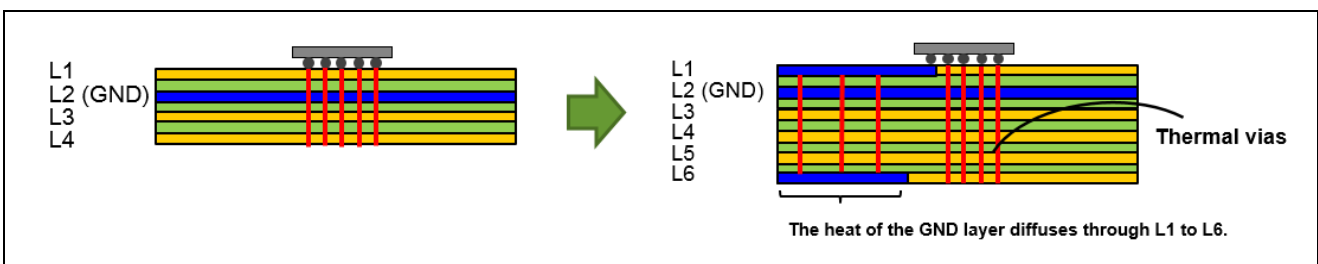
#### (2) Power Supply and GND Planes

Secure as large an area as is possible for the power supply and GND planes of the board. This enables the broad diffusion of heat through vias in the direction of the surface plane. Dividing paths for heat dissipation from plane to plane decreases the effectiveness of heat dissipation. Therefore, place the GND pattern in such a way that the paths are divided as little as is possible. We recommend L2 for the GND layer.



#### (3) Increase the Number of Board Layers, and Bring the GND Pattern out to the Surface Layer

Increasing the number of Cu wiring layers in the printed circuit board expands the area for heat release. Where possible, place areas of the GND pattern on the surface layer and connect them to the main GND pattern via thermal vias. This further improves heat dissipation. The board should have at least four layers, and we recommend six.



#### (4) Appropriate Placement of Components

Placing heat-generating components close to this device affects its heat efficiency, so do not place heat-generating components in its vicinity.

**Caution. For example, placing a regulator with high power consumption in the vicinity of this device has the effect of significantly reducing its heat dissipation.**



#### (5) Residual Copper Ratio of Cu Layers

Increasing the residual copper ratio in all layers of the board layers increases the breadth of the paths for heat transfer.

#### (6) Cu Thickness

Designing all Cu layers of the board to be thick increases the volume of paths for heat dissipation. Since thinner Cu layers reduce the effectiveness of heat dissipation, care is required on this point. We recommend that the power supply and GND layers be at least 35-um thick.

## 8.2.2 Heat Dissipation from the Periphery (Including the Casing)

### (1) Incorporating a Heat Sink

Incorporating a heat sink increases the area for heat dissipation, making heat dissipation from the surface of the device more efficient.

### (2) Heat Conduction to the Casing

Placing heat dissipating gel on the surface of the device and connecting this to the metal surface of the casing increases the efficiency of heat dissipation from the surface of the device.

### (3) Placing a Fan in the Casing

Including a fan improves thermal conductivity through convection, which decreases the ambient temperature.

### (4) Obtaining a Chimney Effect

Since heat tends to be released in the z direction, placing the board vertically leads to heat convection from the surface of the device, improving the thermal conductivity rate there.

### (5) Enlarging Ventilation Holes

Larger ventilation holes accelerate the heat exchange between the air within the casing and that outside, lowering the temperature in the vicinity of the device.

### (6) Thermal Insulation by Shielding Plates

If there is a particular source of much heat within the casing, thermal insulation by using shielding plates is effective. Shielding the device from the effects of such heat sources reduces the effect of the heat on the device.

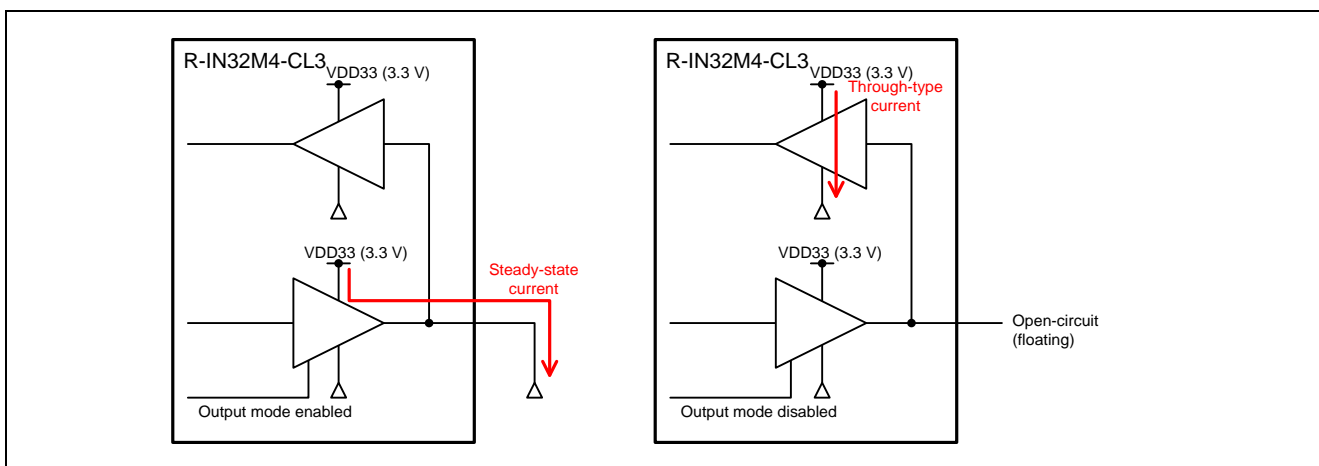
## 8.3 Caution

### 8.3.1 Handling of Unused Pins

If an unused pin is clamped to the GND or a power supply on the board, the corresponding pin must have the input attribute as a fixed setting. If it is set as an output, and the level at the point to which it is clamped is opposite that of the pin, a large steady-state current will continuously flow through the output buffer.

On the other hand, if an unused pin is open-circuit on the board, the corresponding pin can have either the output attribute or the input attribute as a fixed setting, accompanied by enabling of the pull-up or pull-down resistor. Setting a pin as an input without enabling a pull-up or pull-down resistor may lead to the pin being in a floating state and the flow of a through-type current.

Since the above factors lead to unnecessary heating, be sure to check the settings made by the software in these cases.



## 9. External MCU/Memory Interface Pins

This LSI is able to connect an external MCU or memory.

The connection mode is decided by the signal level of the MEMIFSEL, MEMCSEL, HIFSYNC, and ADMUXMODE pins as shown in Table 9.1.

**Table 9.1 Mode Selection of External MCU/Memory Connection**

| Mode Setting |         |         |           | External Connection Mode  |
|--------------|---------|---------|-----------|---|
| MEMIFSEL     | MEMCSEL | HIFSYNC | ADMUXMODE |   |
| Low          | Low     | —       | —         | External memory interface<br>Asynchronous SRAM MEMC   |
|              | High    | —       | —         | External memory interface<br>Synchronous burst access MEMC  |
| High         | Low     | Low     | —         | External MCU interface<br>Asynchronous-SRAM supporting MCU connection mode  |
|              |         | High    | —         | External MCU interface<br>Synchronous-SRAM supporting MCU connection mode   |
|              | High    | Low     | —         | Setting prohibited  |
|              |         |         | —         | Setting prohibited  |
|              | High    | High    | Low       | External MCU interface<br>Synchronous-burst-transfer supporting MCU connection mode<br>(address/data separated)   |
|              |         |         | High      | External MCU interface<br>Synchronous-burst-transfer supporting MCU connection mode<br>(address/data multiplexed) |

## 9.1 External MCU Interface

The external MCU interface is multiplexed with the external memory interface. When the MEMIFSEL pin is set to the high level, it functions as the external MCU interface.

The external MCU interface supports the asynchronous-SRAM supporting MCU connection mode and the synchronous-SRAM supporting MCU connection mode. When the level on the HIFSYNC pin is high, it functions as a synchronous SRAM interface, and when HIFSYNC is set to low-level, it functions as an asynchronous SRAM interface (see Table 9.1, Mode Selection of External MCU/Memory Connection).

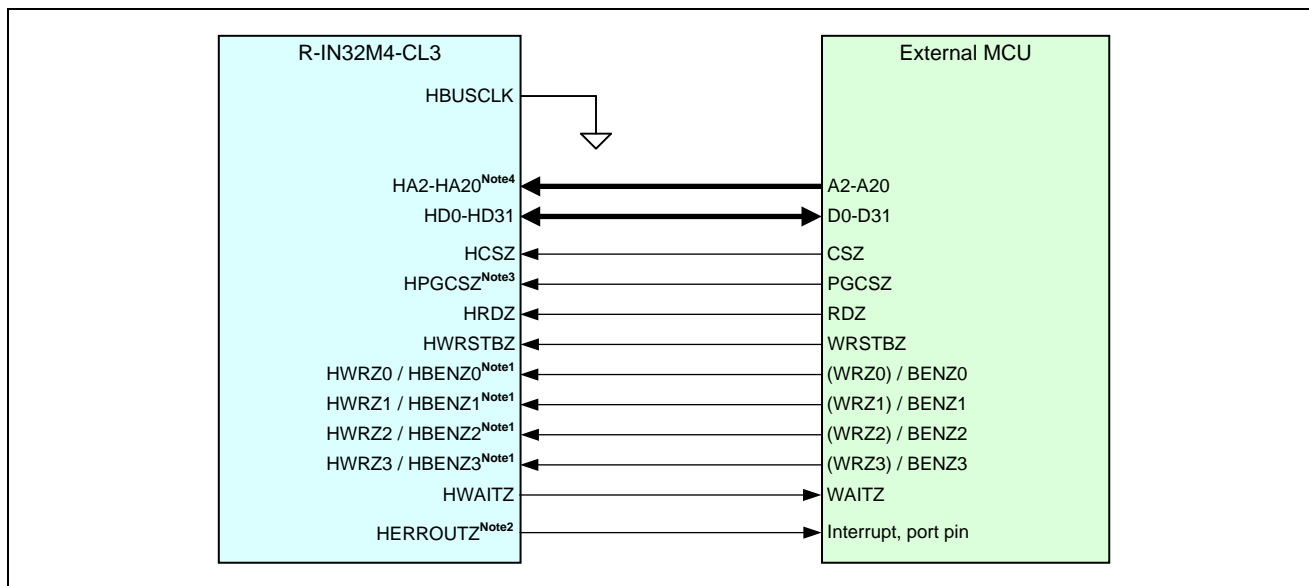
In addition, the external MCU interface supports the synchronous-burst-transfer supporting MCU connection mode of clock synchronization, allowing access to large volumes of data at high speed. This function is enabled by setting the MEMIFSEL and MEMCSEL pins to the high level.

**Caution: The method of connection for each signal depends on the bus interface specifications of the MCU to be connected.**

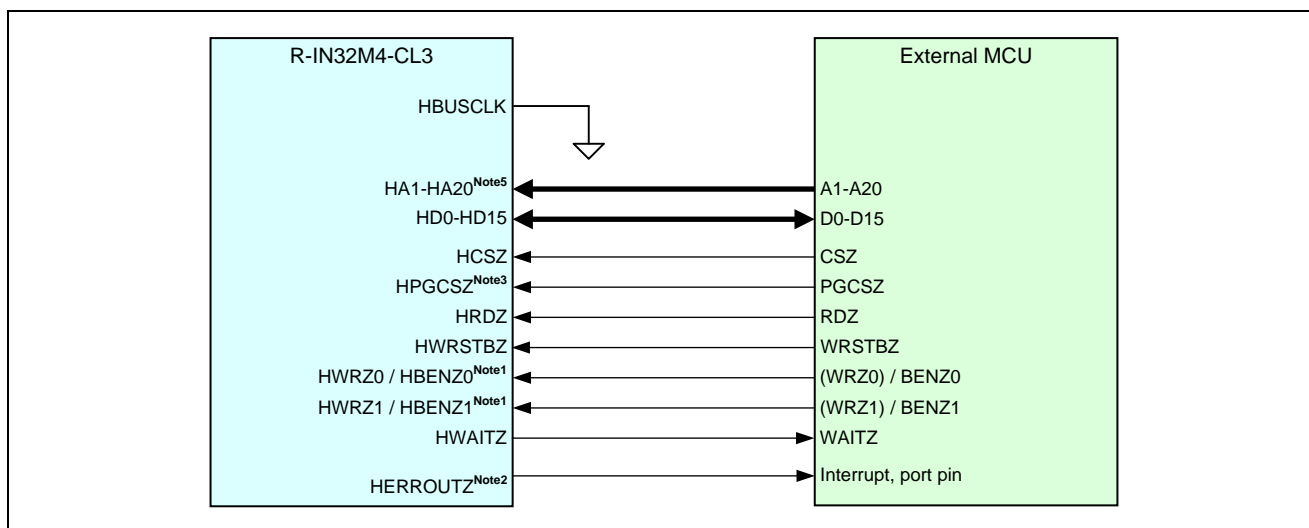
**Check the specifications of the product to be connected before determining the method.**

### 9.1.1 Asynchronous-SRAM Supporting MCU Connection Mode

The following figure shows a general connection example in asynchronous-SRAM supporting MCU interface mode, when this LSI chip is connected as a slave device to an external MCU.



**Figure 9.1 Connection Example of 32-Bit External MCU Interface (in Asynchronous-SRAM Supporting MCU Connection Mode)**

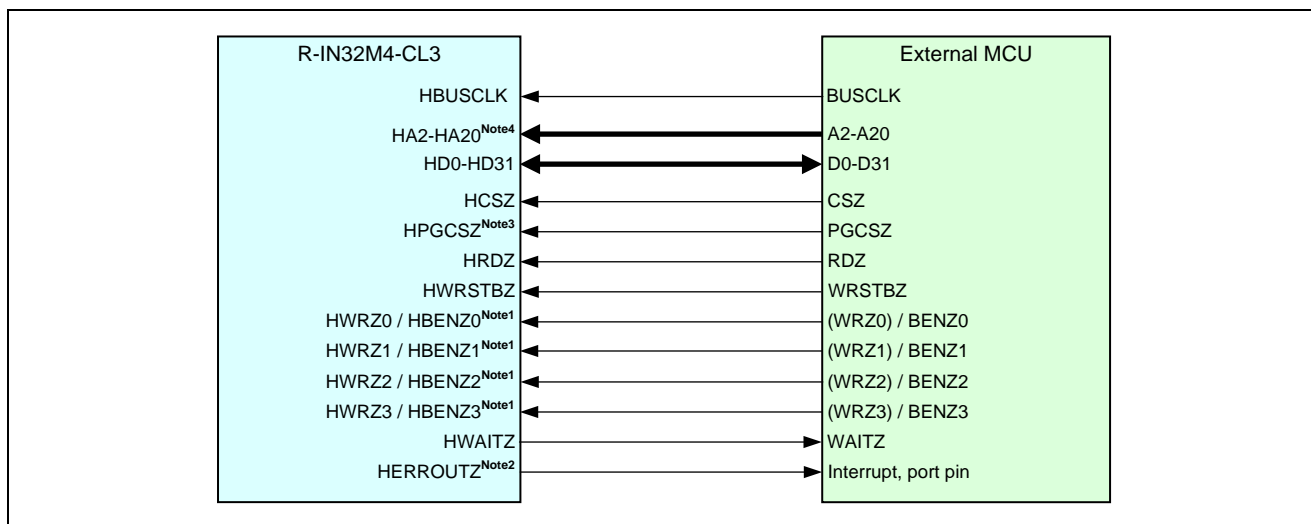


**Figure 9.2 Connection Example of 16-Bit External MCU Interface (in Asynchronous-SRAM Supporting MCU Connection Mode)**

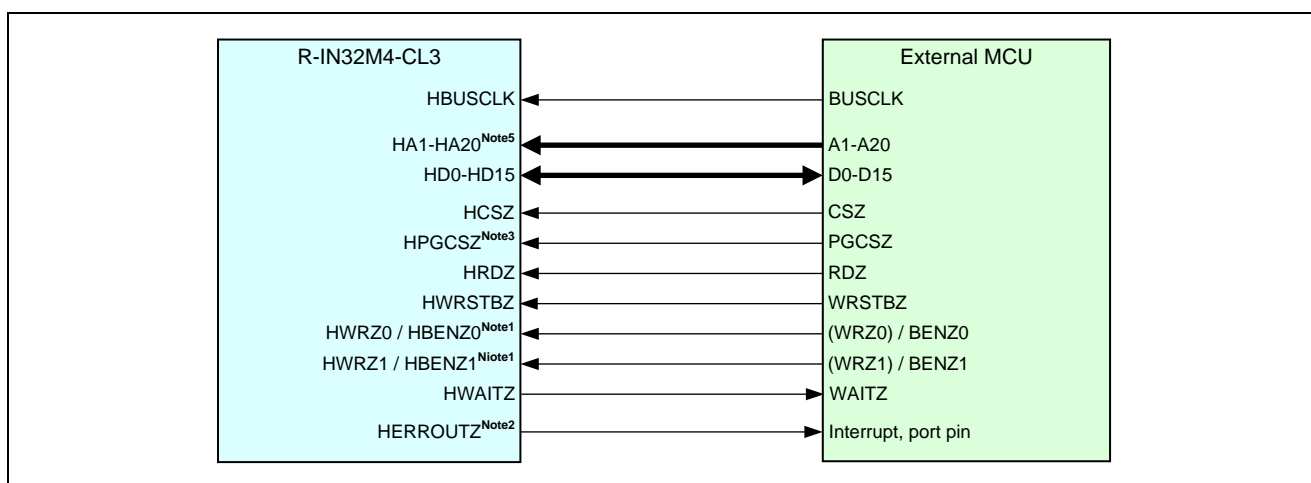
- Notes**
1. HWRZ0-HWRZ3 and HBENZ0-HBENZ3 are multiplexed on the same pins, and the pin functions are selected by the level on the HWRZSEL pin.
  2. Connecting the HERROUTZ signal is not indispensable. Connect it to an interrupt or general-purpose port input of the MCU to be connected, if required.
  3. This is a chip-select signal supporting paged access. Connect it if required.
  4. Connected the address signal for a 4-byte boundary from the destination to the HA2 pin of the R-IN32M4-CL3.
  5. Connected the address signal for a 2-byte boundary from the destination to the HA1 pin of the R-IN32M4-CL3.

### 9.1.2 Synchronous-SRAM Supporting MCU Connection Mode

The following figure shows a general connection example in synchronous-SRAM supporting MCU interface mode, when this LSI chip is connected as a slave device to an external MCU.



**Figure 9.3 Connection Example of 32-Bit External MCU Interface (in Synchronous-SRAM Supporting MCU Connection Mode)**



**Figure 9.4 Connection Example of 16-Bit External MCU Interface (in Synchronous-SRAM Supporting MCU Connection Mode)**

- Notes**
1. HWRZ0-HWRZ3 and HBENZ0-HBENZ3 are multiplexed on the same pins, and the pin functions are selected by the level on the HWRZSEL pin.
  2. Connecting the HERROUTZ signal is not indispensable.  
Connect it to an interrupt or general-purpose port input of the MCU to be connected, if required.
  3. This is a chip-select signal supporting paged access. Connect it if required.
  4. Connected the address signal for a 4-byte boundary from the destination to the HA2 pin of the R-IN32M4-CL3.
  5. Connected the address signal for a 2-byte boundary from the destination to the HA1 pin of the R-IN32M4-CL3.

### 9.1.3 Synchronous-Burst-Transfer Supporting MCU Connection Mode

The following figure shows a general connection example in synchronous-burst-transfer supporting MCU connection mode, when this LSI chip is connected as a slave device to an external MCU.

#### 9.1.3.1 Address/Data Multiplexed Mode (ADMUXMODE = H)

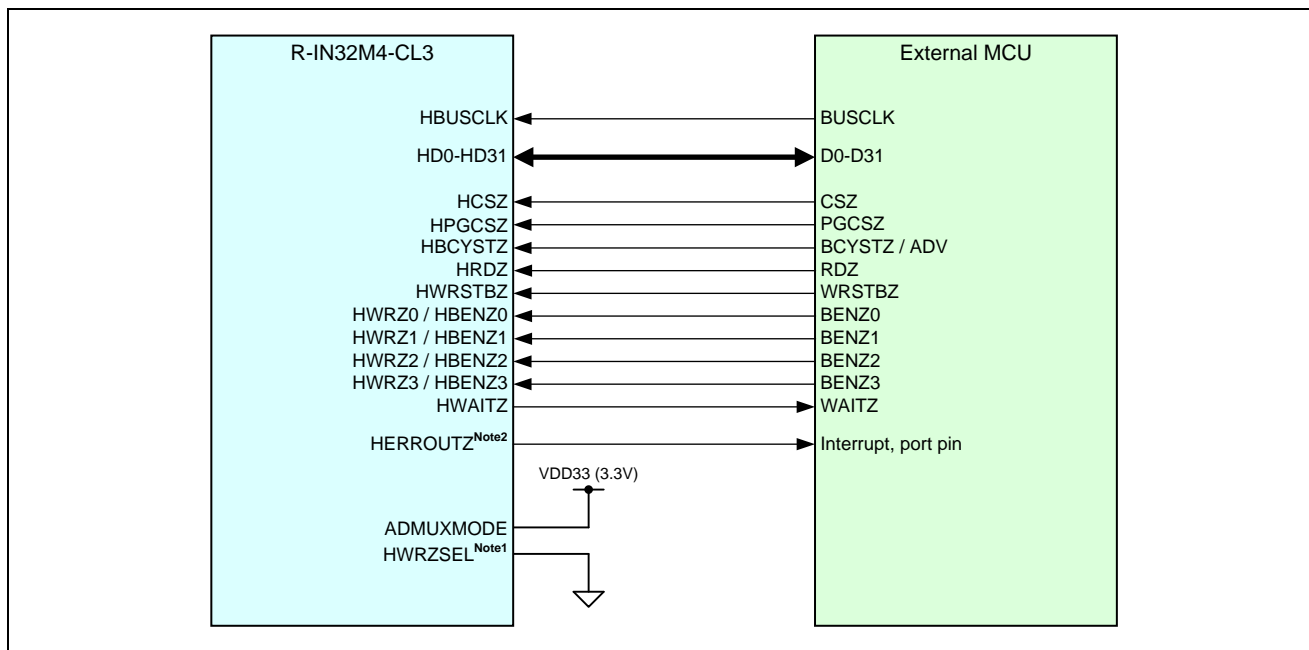


Figure 9.5 Connection Example of 32-Bit External MCU Interface

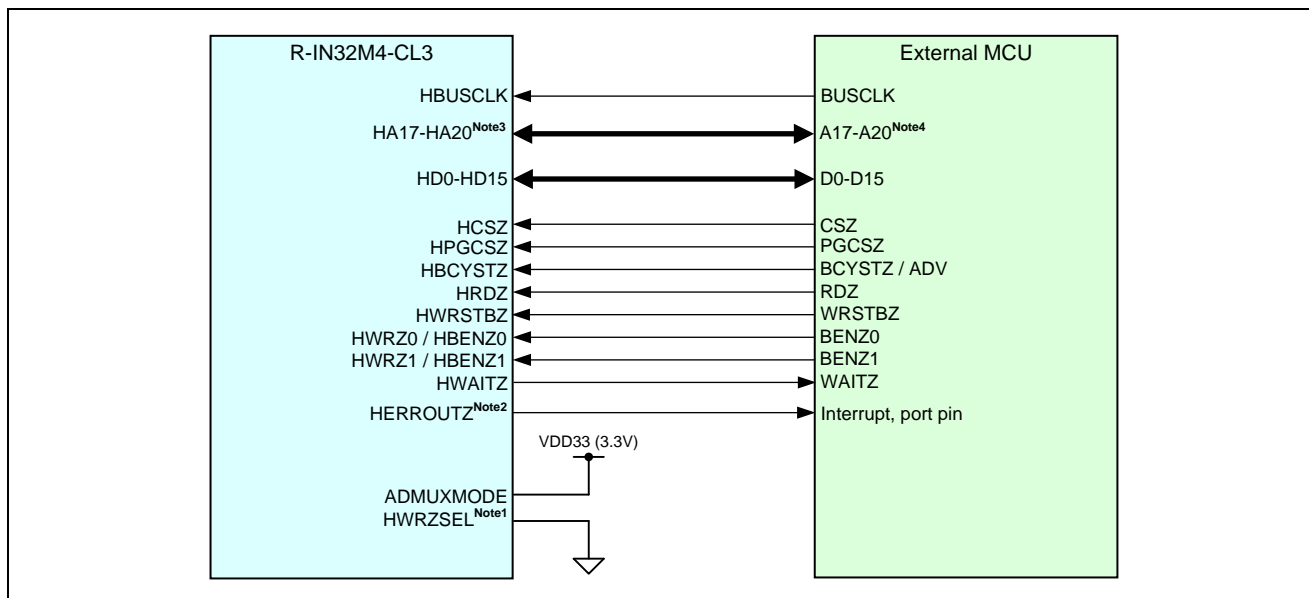


Figure 9.6 Connection Example of 16-Bit External MCU Interface



**Notes 1.** In this mode, drive the HWRZSEL pin low.

**2.** Connecting the HERROUTZ signal is not indispensable.

Connect it to an interrupt or general-purpose port input of the MCU to be connected, if required.

**3.** Connected the address signal for a 128-Kbyte boundary from the destination to the HA17 pin of the R-IN32M4-CL3.

**4.** Accessed is by byte-wise addressing.

9.1.3.2 Address/Data Separated Mode (ADMUXMODE = L)

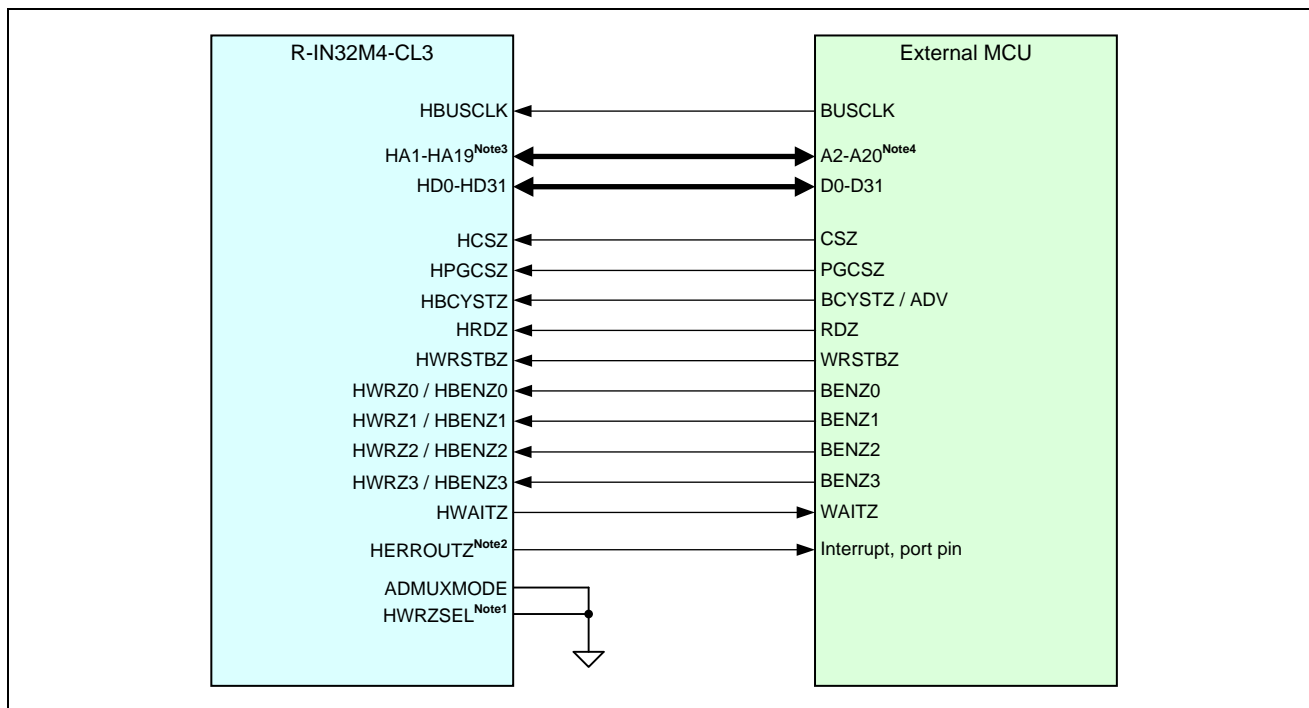


Figure 9.7 Connection Example of 32-Bit External MCU Interface

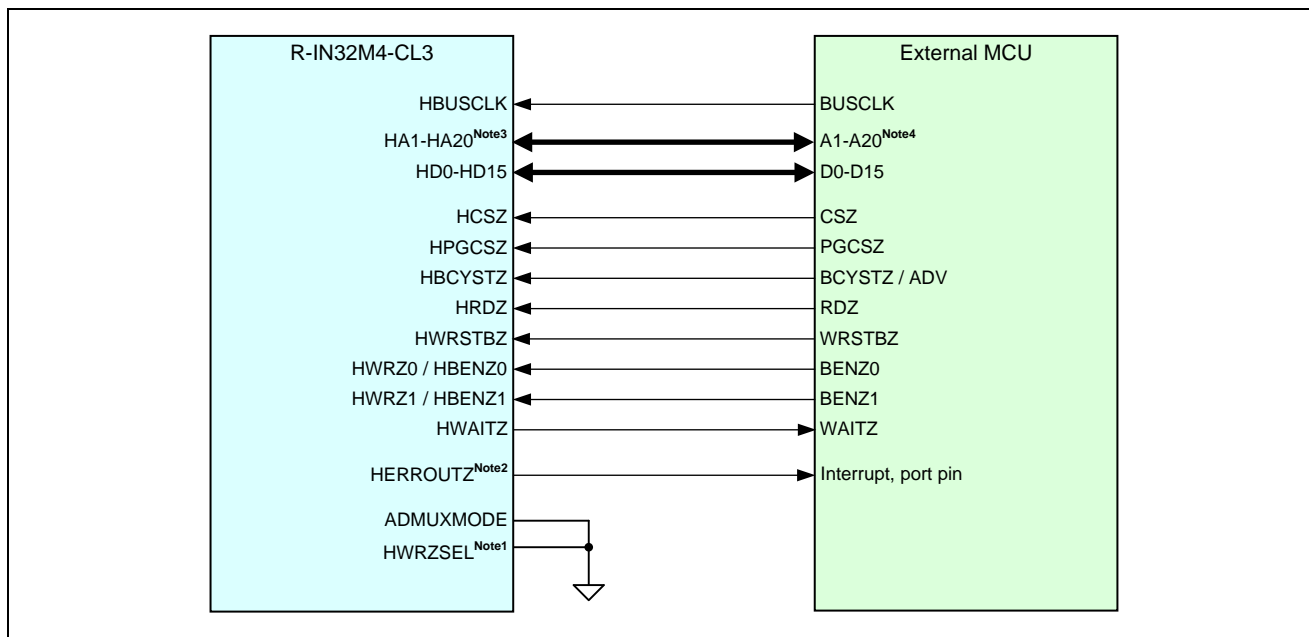


Figure 9.8 Connection Example of 16-Bit External MCU Interface

- Notes 1.** In this mode, drive the HWRZSEL pin low.
- 2.** Connecting the HERROUTZ signal is not indispensable.  
Connect it to an interrupt or general-purpose port input of the MCU to be connected, if required.
- 3.** 32-bit width: Connected the address signal for a 32-bit boundary from the destination to the HA1 pin.  
16-bit width: Connected the address signal for a 16-bit boundary from the destination to the HA1 pin.
- 4.** Accessed is by byte-wise addressing.

## 9.2 External Memory Interface

This section describes the connection as a master device to an external memory.

The operating connection mode of the external memory interface depends on the level of the signal on the MEMCSEL pin (see Table 9.1, Mode Selection of External MCU/Memory Connection).

### 9.2.1 Asynchronous SRAM MEMC

The asynchronous SRAM MEMC is externally connectable to paged ROM, ROM, SRAM, or peripheral devices with an interface similar to the SRAM interface via a 16- or 32-bit bus.

The external MCU interfaces for the asynchronous SRAM MEMC and the synchronous method burst access MEMC are multiplexed with each other. When both the MEMCSEL and MEMIFSEL pins are at the low level, the asynchronous SRAM MEMC can be used.

When both the BOOT0 and BOOT1 pins are at the low level, booting up proceeds from the memory connected to CSZ0.

### 9.2.1.1 Connection Example with SRAM

The following figure shows an example when this LSI chip is connected to SRAM.

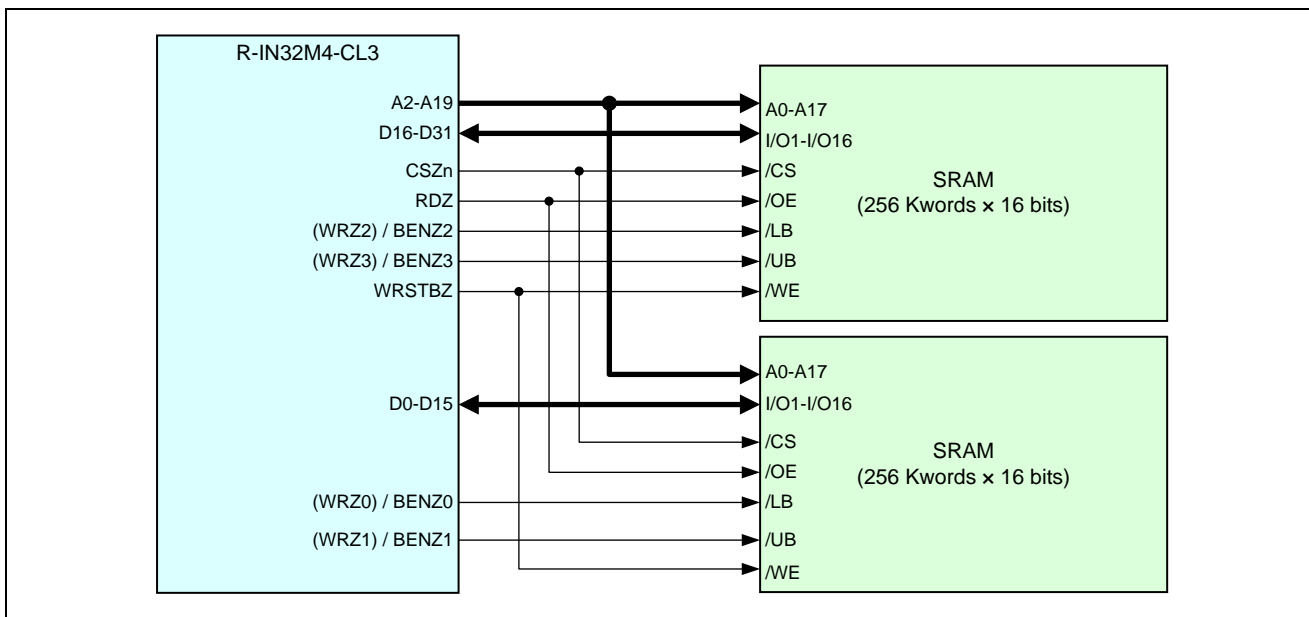


Figure 9.9 Connection Example with 32-Bit SRAM (Asynchronous SRAM MEMC)

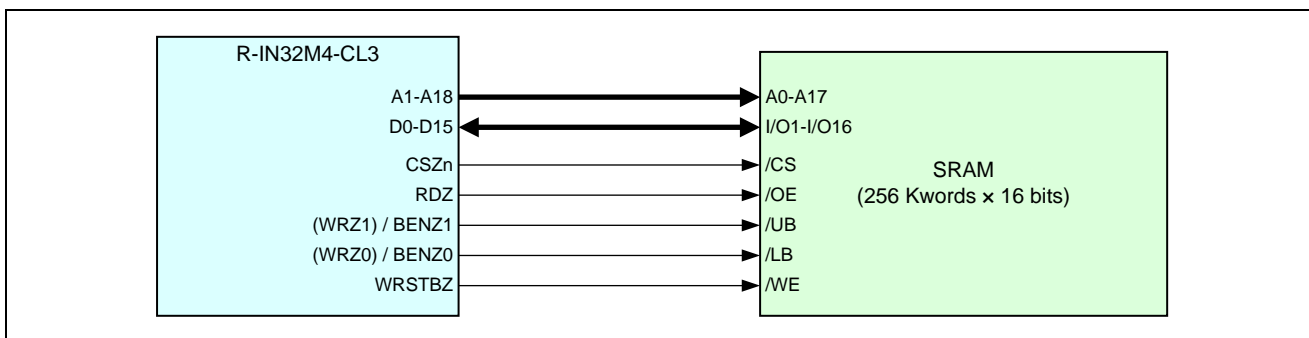
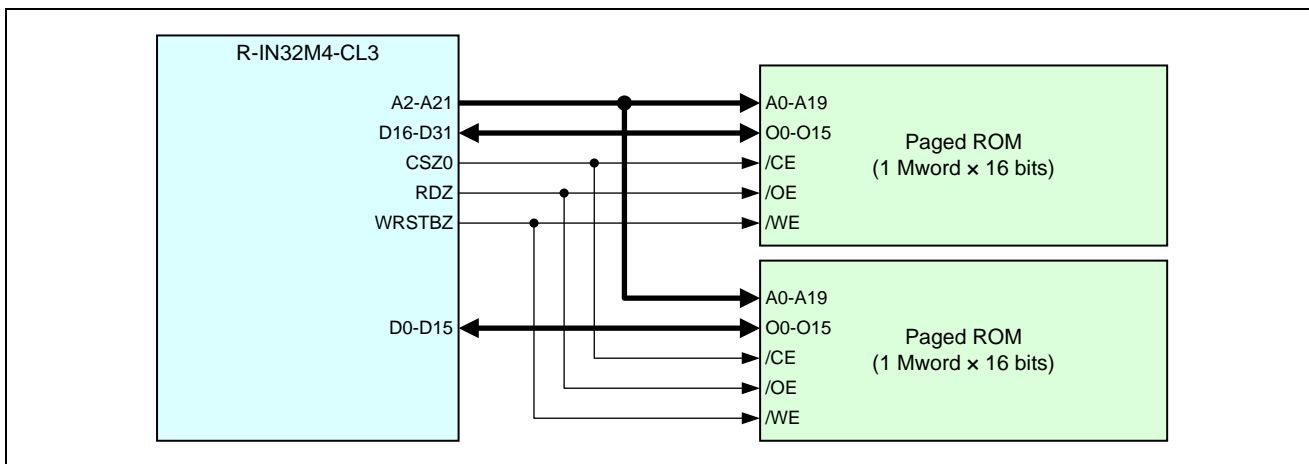


Figure 9.10 Connection Example with 16-Bit SRAM (Asynchronous SRAM MEMC)

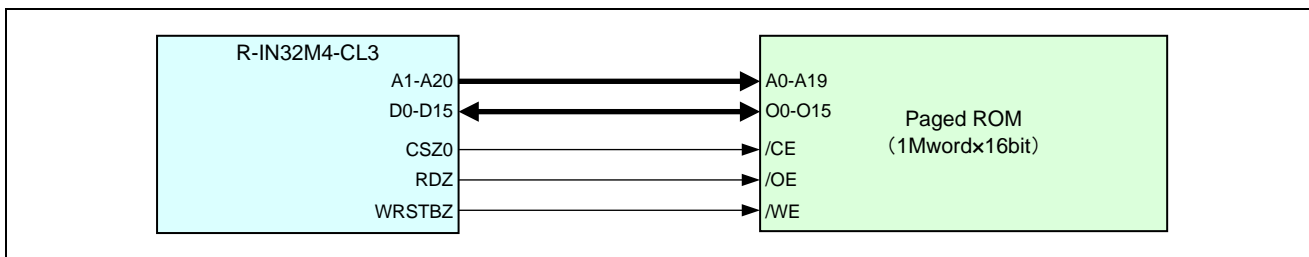
**Remark: n = 0-3**

### 9.2.1.2 Connection Example with Paged ROM

The following figure shows an example when this LSI chip is connected to paged ROM.



**Figure 9.11 Connection Example with 32-Bit Paged ROM (Asynchronous SRAM MEMC)**



**Figure 9.12 Connection Example with 16-Bit Paged ROM (Asynchronous SRAM MEMC)**

**Caution:** The on-page mode of paged ROM can only be used when CSZ0 is connected.

### 9.2.2 Synchronous Burst Access MEMC

The synchronous burst access MEMC is externally connectable to paged ROM, ROM, SRAM, PSRAM, NOR-flash memory, or peripheral devices with an interface similar to the SRAM interface via a 16- or 32-bit bus.

In addition, setting the ADMUXMODE pin to the high level enables multiplexing of the address and data signals.

The external MCU interfaces for the synchronous method burst access MEMC and the asynchronous SRAM MEMC are multiplexed with each other. When the MEMCSEL and MEMIFSEL pins are set to high level and low level respectively, the synchronous burst access MEMC can be used.

When both the BOOT0 and BOOT1 pins are at the low level, booting up proceeds from the memory connected to CSZ0.

### 9.2.2.1 Connection Example with SRAM

The following figure shows an example when this LSI chip is connected to SRAM.

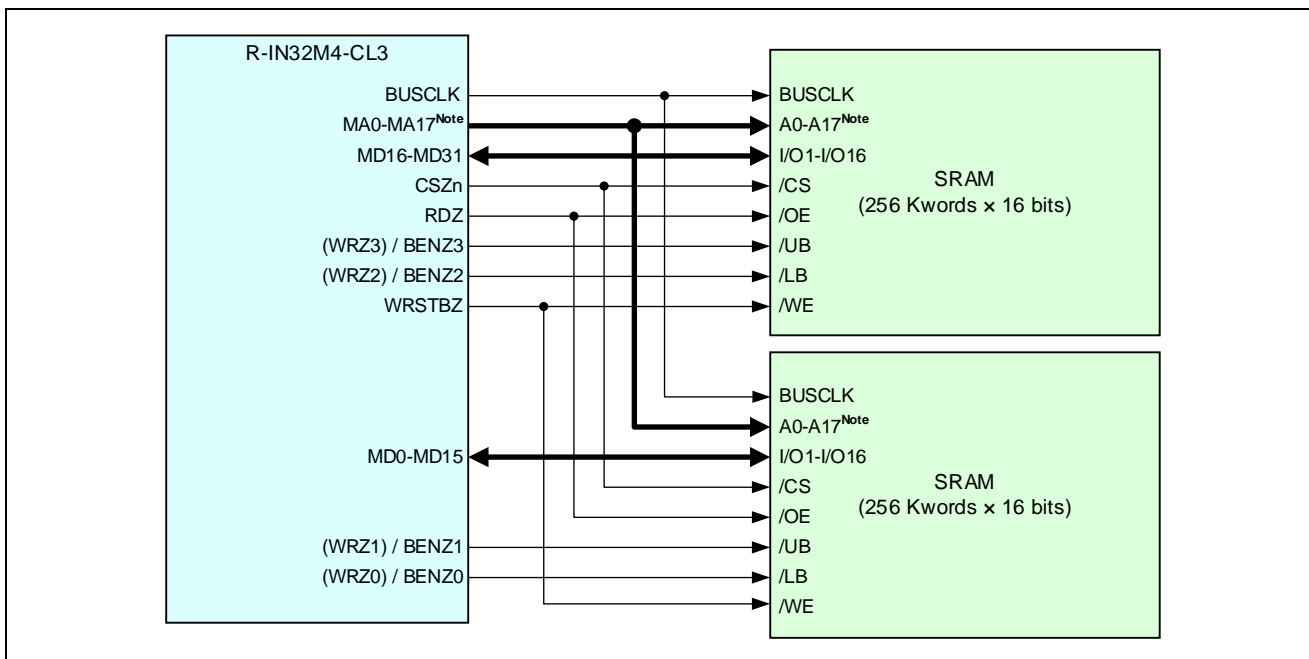


Figure 9.13 Connection Example with 32-Bit SRAM (Synchronous Burst Access MEMC)

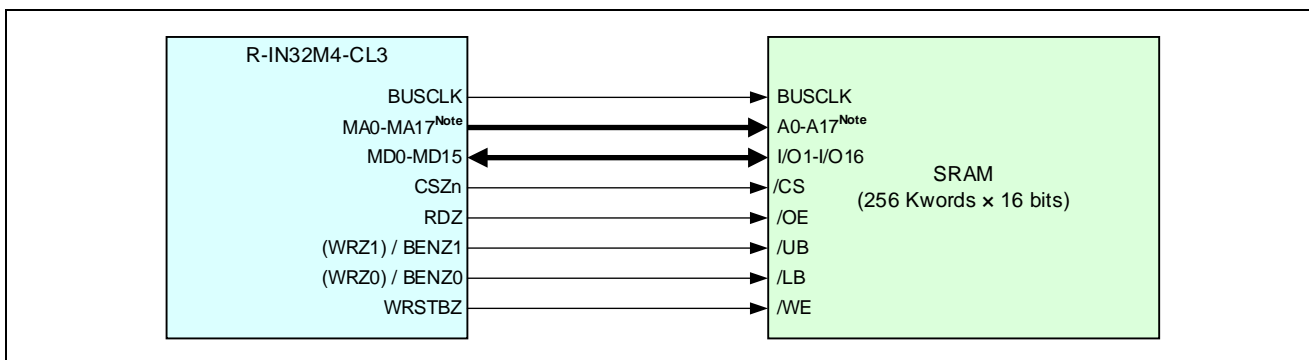


Figure 9.14 Connection Example with 16-Bit SRAM (Synchronous Burst Access MEMC)

**Remark: n = 0–3**

**Note: When the address/data multiplexing feature is enabled (the ADMUXMODE pin is at the high level), separate connection of the address bus is not required.**

### 9.2.2.2 Connection Example with Paged ROM

The following figure shows an example when this LSI chip is connected to paged ROM.

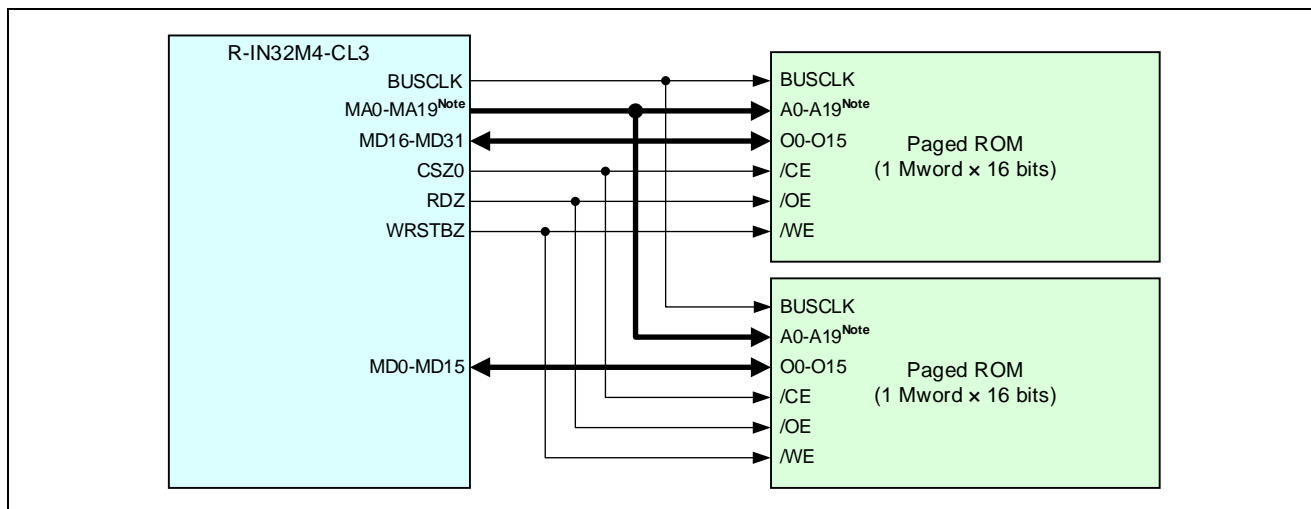


Figure 9.15 Connection Example with 32-Bit Paged ROM (Synchronous Burst Access MEMC)

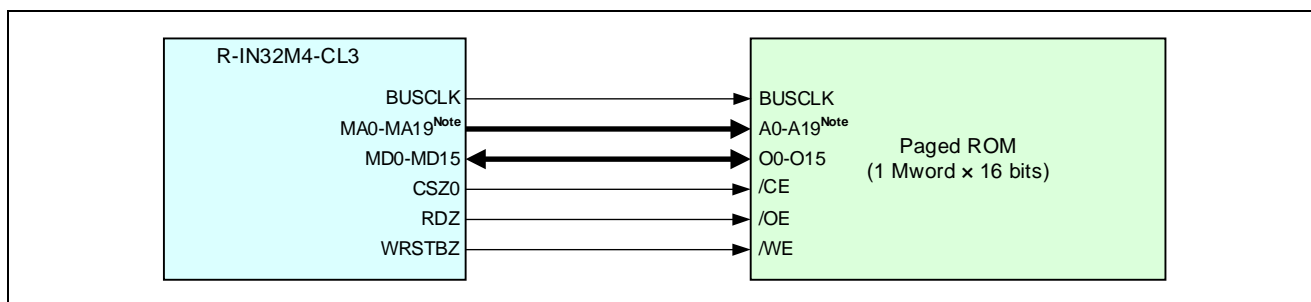


Figure 9.16 Connection Example with 16-Bit Paged ROM (Synchronous Burst Access MEMC)

**Caution:** The on-page mode of paged ROM can only be used when CSZ0 is connected.

**Note:** When the address/data multiplexing feature is enabled (the ADMUXMODE pin is at the high level), separate connection of the address bus is not required.



## 10. Serial Flash ROM Connection Pins

This LSI chip has a memory controller to connect the serial flash ROM that supports the SPI compatible interface.

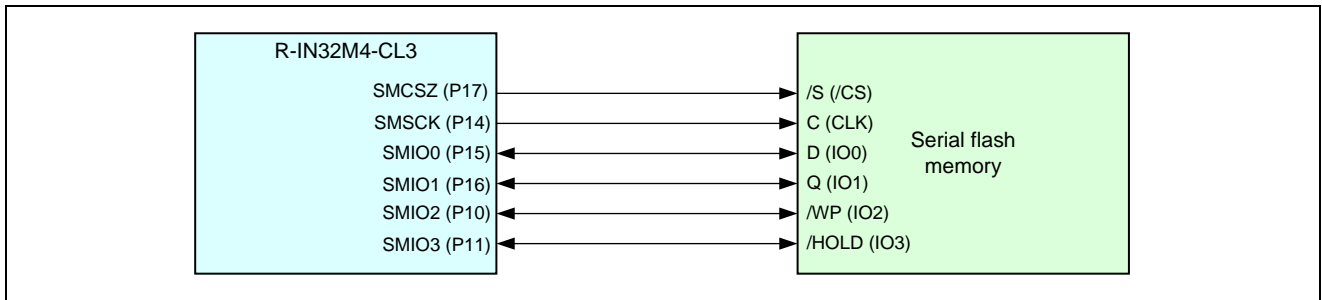
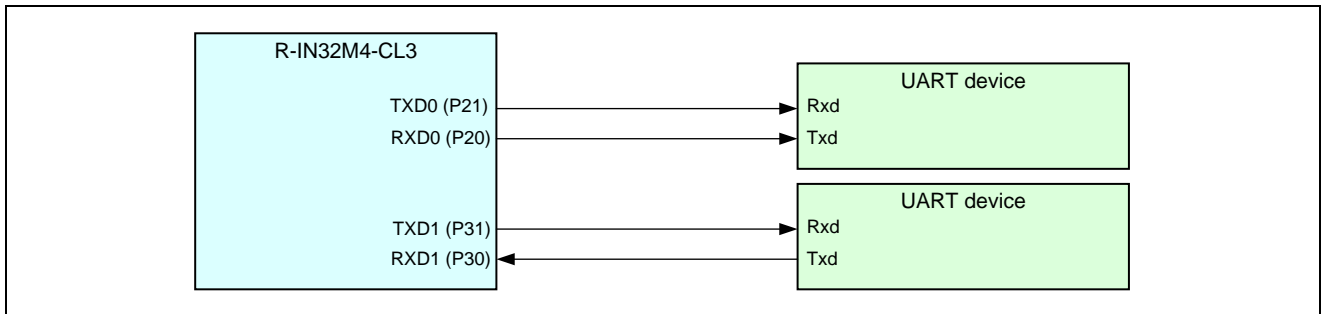


Figure 10.1 Connection Example with Serial Flash ROM

## 11. Asynchronous Serial Interface J Connection Pins

The following figure shows a connection example between the R-IN32M4-CL3 and the asynchronous serial interface J (UARTJ) device.



**Figure 11.1 Connection Example between R-IN32M4-CL3 and UART Device**

## 12. I<sup>2</sup>C Connection Pins

Figure 12.1 shows a connection example between the R-IN32M4-CL3 and the I<sup>2</sup>C slave device.

Since the serial clock line and serial data line are N-channel open drain outputs, an external pull-up resistor is required.

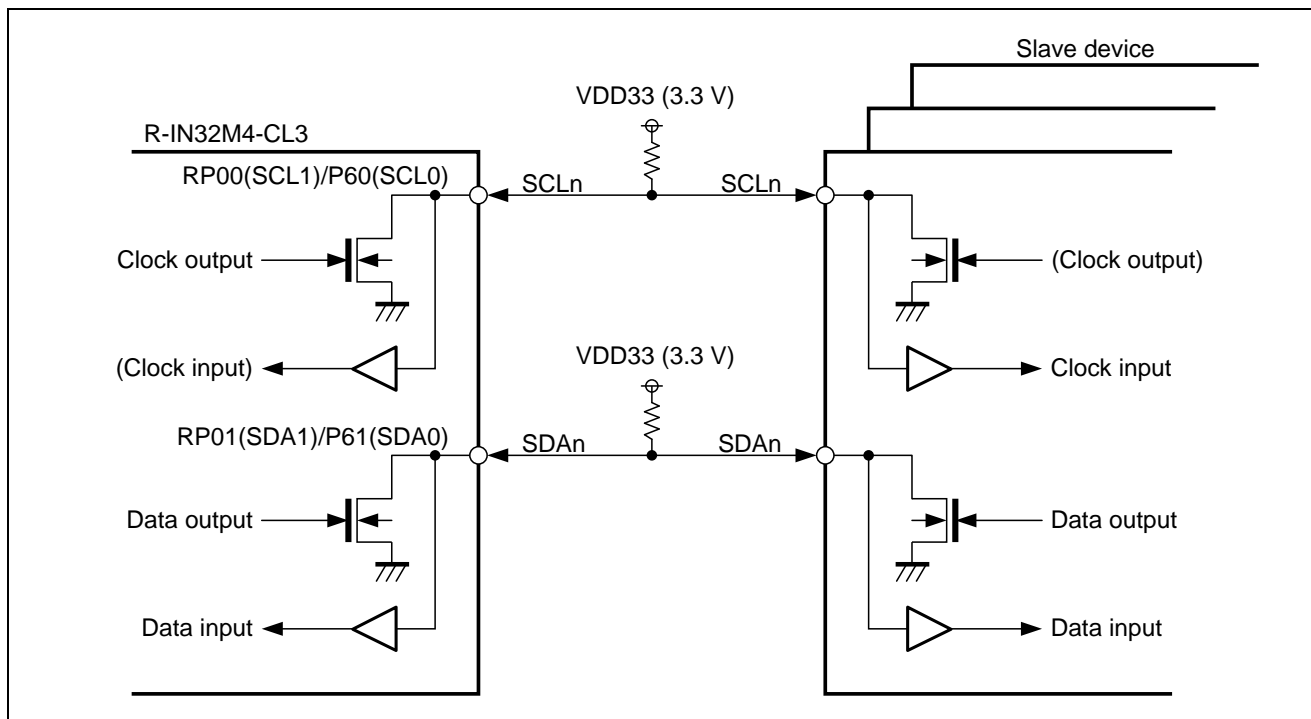


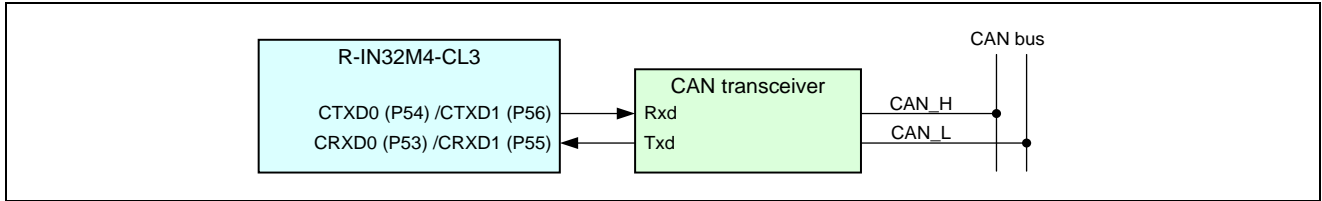
Figure 12.1 Connection Example between R-IN32M4-CL3 and I<sup>2</sup>C Slave Device

**Remark:** n = 0–3

### 13. CAN Pins

The following figure shows a connection example between the R-IN32M4-CL3 and the CAN transceiver.

The CAN transceiver is used to connect the CAN bus.



**Figure 13.1 Connection Example between R-IN32M4-CL3 and CAN Transceiver**

## 14. CSIH Pins

Examples of connections of the R-IN32M4-CL3 with a CSI master and slave are given below.

### 14.1 One Master and One Slave

The following figure illustrates the connections between one master and one slave.

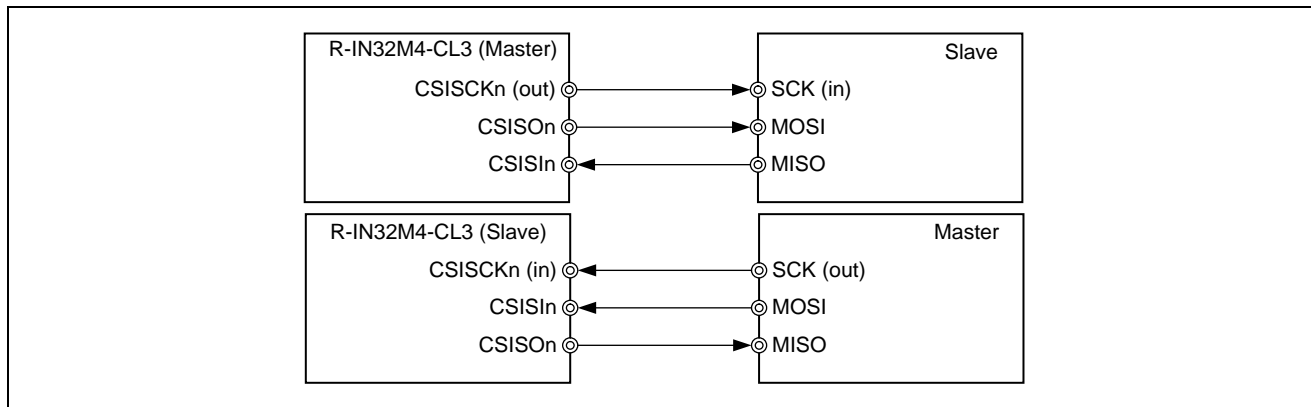


Figure 14.1 Direct Master/Slave Connection

**Remark:** n = 0, 1

### 14.2 One Master and Two Slaves

The following figure illustrates the connections between an R-IN32M4-CL3 as a master and two slaves.

In this example, the R-IN32M4-CL3 supplies one chip select (CS) signal to each of the slaves. This signal is connected to the slave select input (SSI) of the slave.

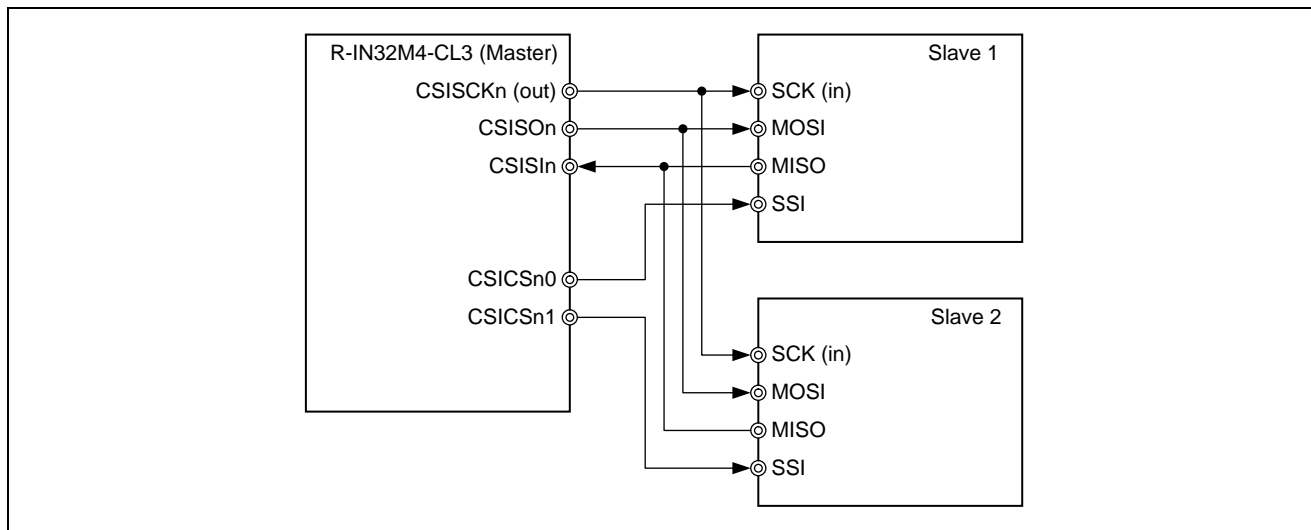


Figure 14.2 Connection between One Master and Two Slaves

**Remark:** n = 0, 1

### 15. JTAG/Trace Pins

The following figures show examples when this LSI chip is connected to the ICE (in-circuit emulator).

As long as nRESET is input to RESETZ, nRESET is not required to input to HOTRESETZ.

RESRTZ resets the entire LSI, but the internal PLL is not reset in the case of only HOTRESETZ. Please use it to meet your needs. In addition, nRESET should not be connect to PONRZ.

They are examples when connected to the 20-pin half-pitch connector or 20-pin full-pitch connector of standard.

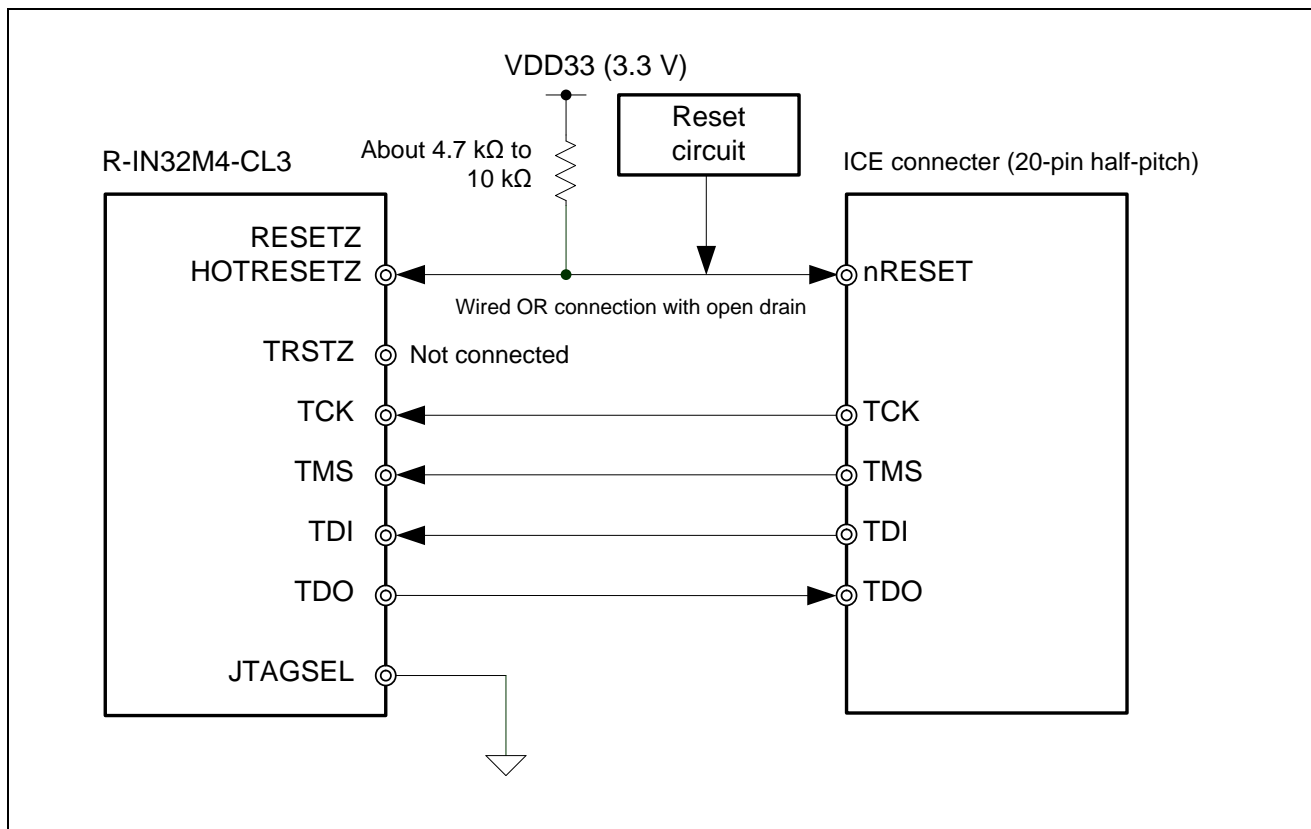


Figure 15.1 Connection Example of JTAG Interface (20-Pin Half-Pitch without Trace)

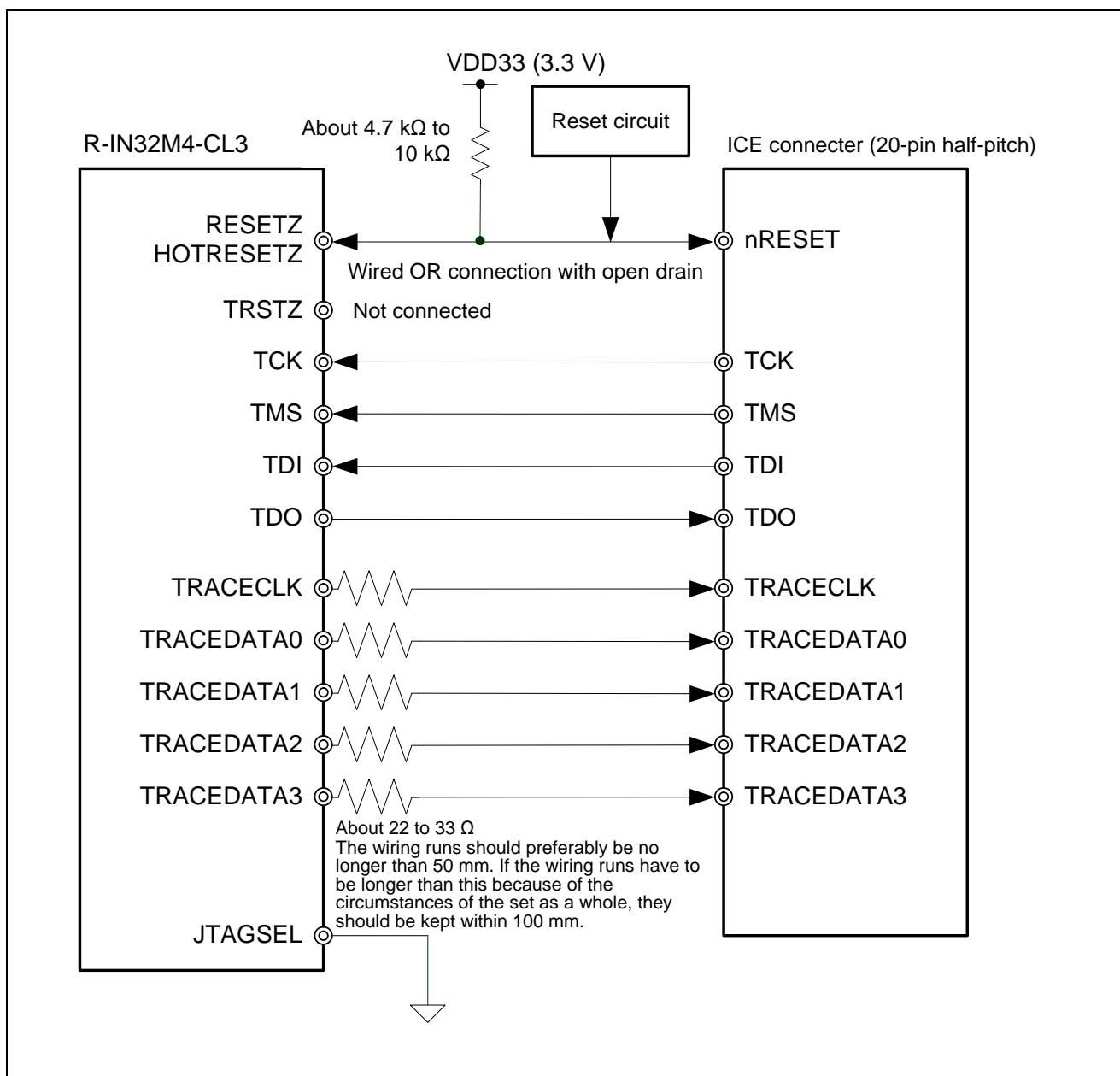


Figure 15.2 Connection Example of JTAG Interface (20-Pin Half-Pitch with Trace)

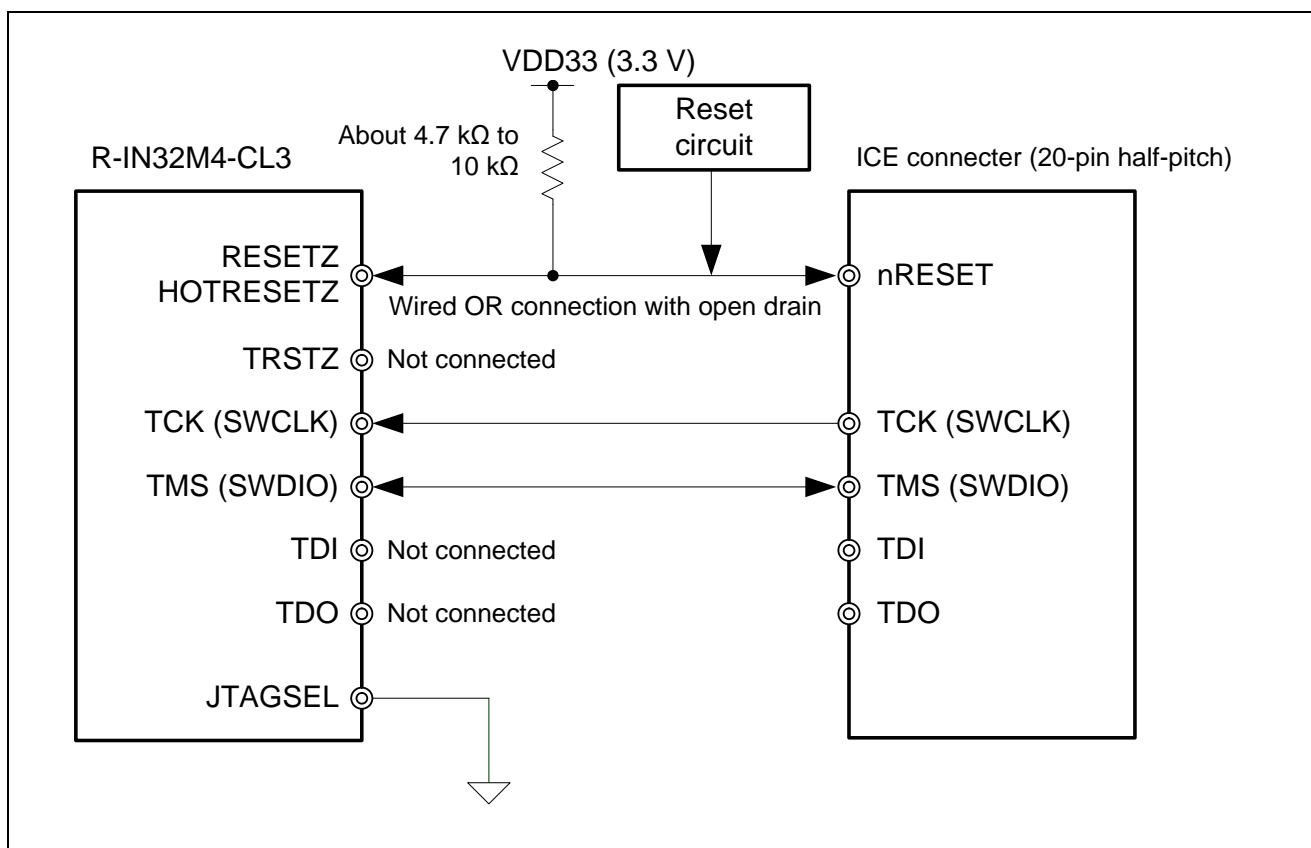


Figure 15.3 Connection Example of SWD Interface (20-Pin Half-Pitch without Trace)



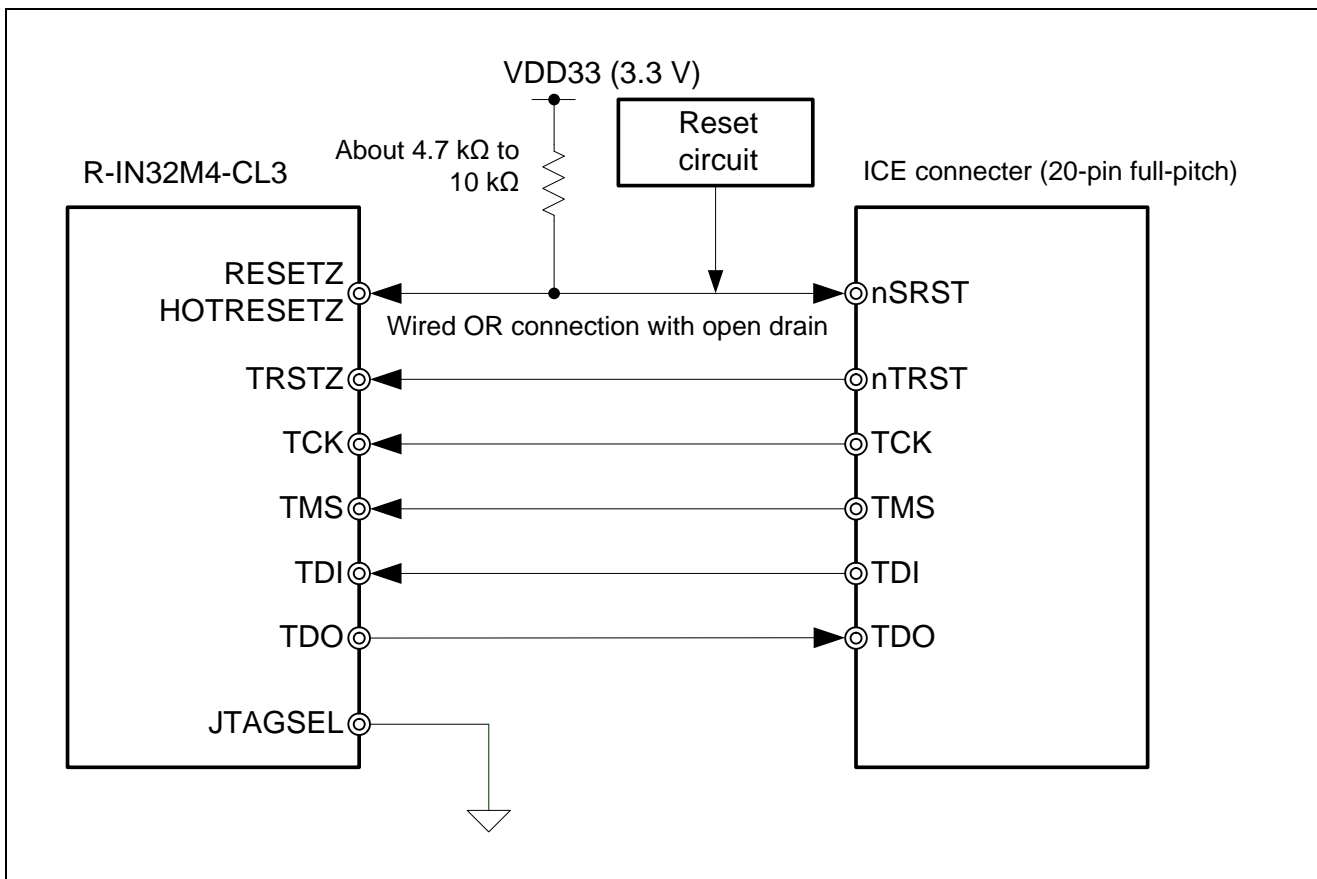
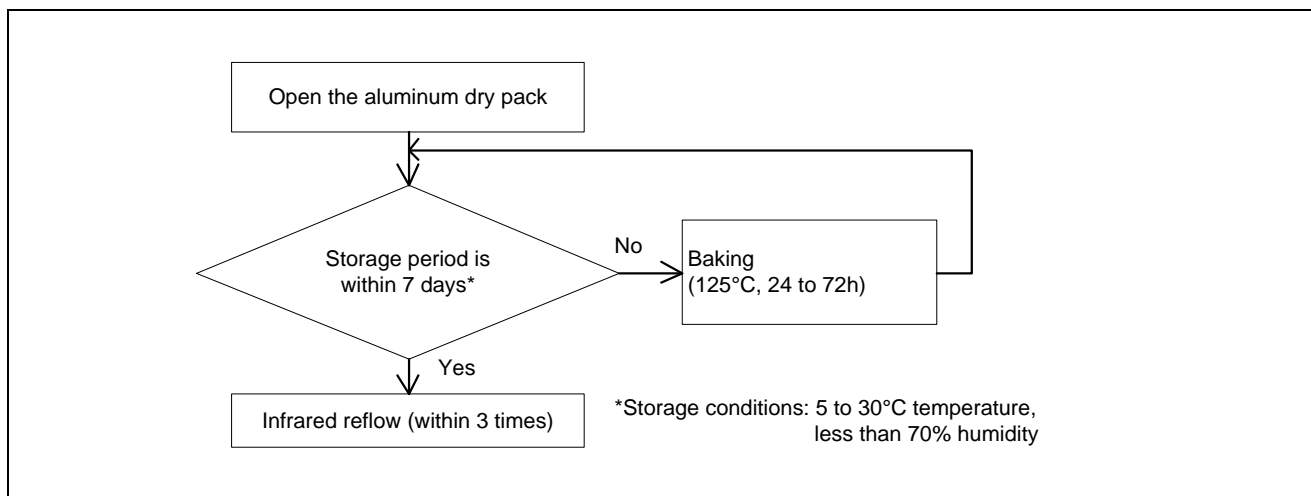


Figure 15.4 Connection Example of JTAG Interface (20-Pin Full-Pitch)

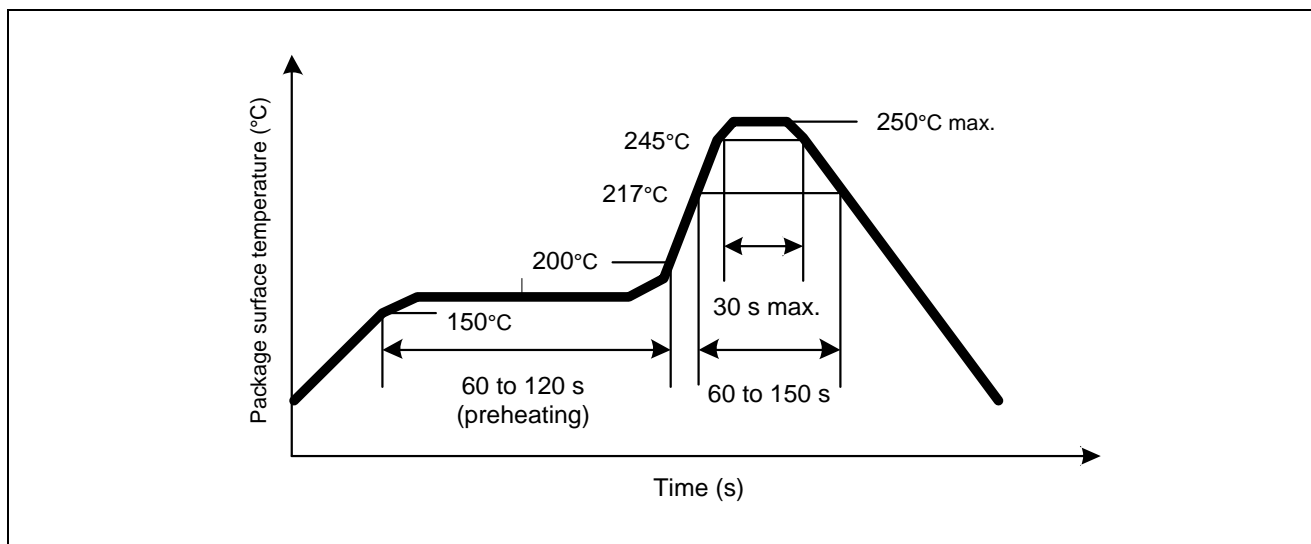
## 16. Implementation Conditions

The following figures show implementation conditions of the R-IN32M4-CL3.



**Figure 16.1 Implementation Flow**

- Maximum temperature (package surface temperature): 250°C or below
- Time of maximum temperature: 30 s or less
- Time over which the temperature is 217°C or more: Within 150 s
- Time to reach preheating temperature (150 to 200°C) : 60 to 120 s
- Maximum number of times to reflow: 3 times
- Safe-keeping restriction period after opening the dry pack: Within 7 days



**Figure 16.2 Infrared Reflow Temperature Profile**

### 17. Package Information

The following figures show the package information of R-IN32M4-CL3.

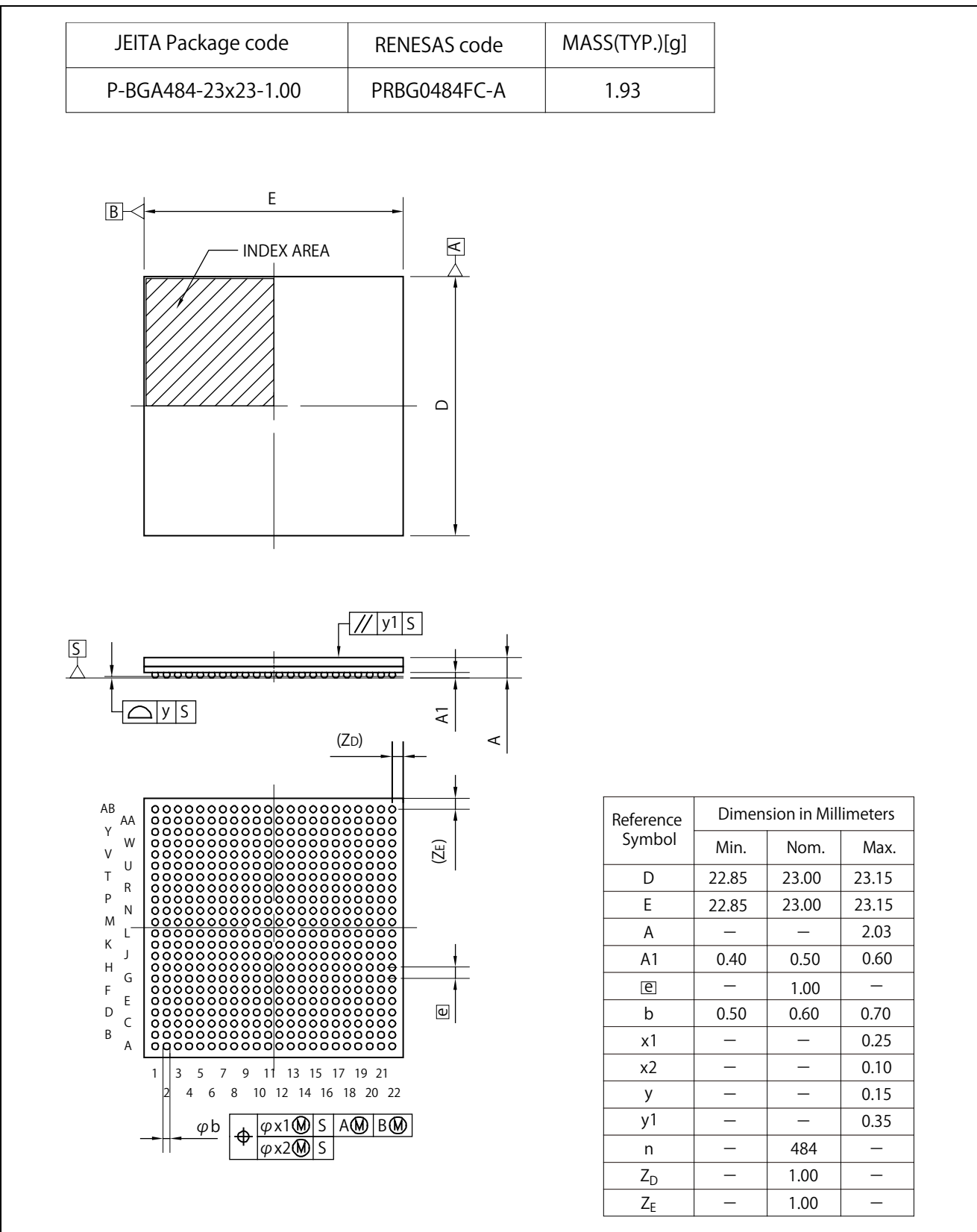


Figure 17.1 Package Information (23 mm Square BGA Package)

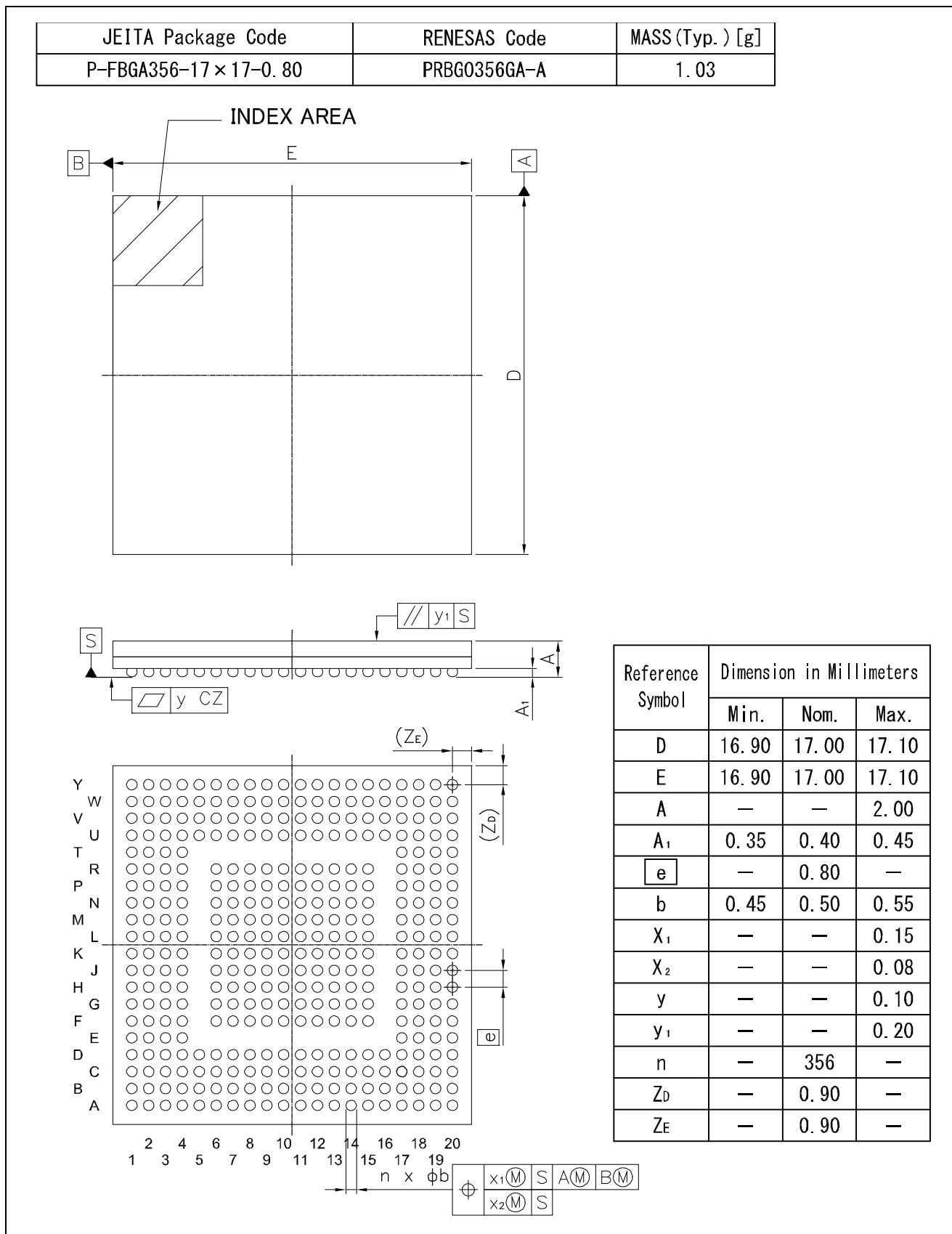


Figure 17.2 Package Information (17 mm Square BGA Package)

### 18. Mount Pad Information

The following figures show the mount pad information of the R-IN32M4-CL3.

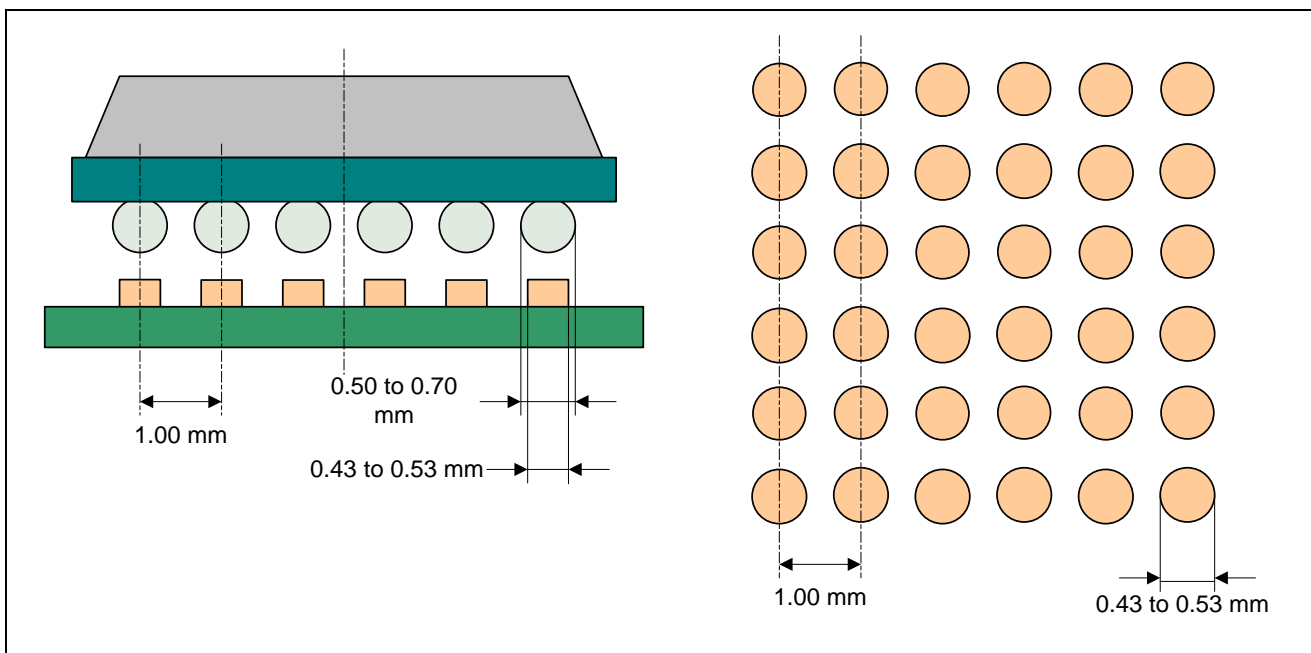


Figure 18.1 Mount Pad Sizes (23 mm Square BGA Package)

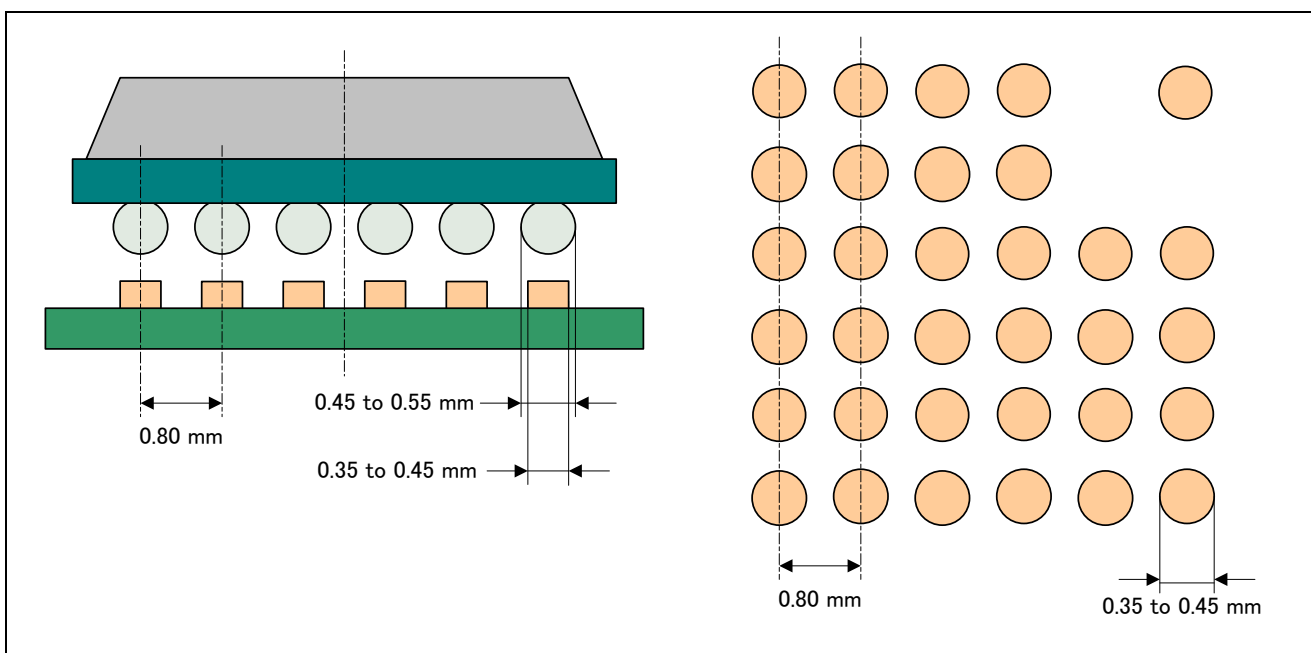


Figure 18.2 Mount Pad Sizes (17 mm Square BGA Package)

## 19. BSCAN Information

The R-IN32M4-CL3 provides the BSDL file.

**Caution: If the other device is connected to an input pin without the pin being pulled up or down, clamp the level on the board or set the logic in the other device.**  
**Placing the 3st pin in the Hi-Z state creates a possibility of a floating current flowing.**

### 19.1 BSCAN Operating Conditions

Fix the level of the pins as follows.

- JTAGSEL: Fixed to the high level
- TMODE0: Fixed to the low level
- TMODE1: Fixed to the low level
- TMODE2: Fixed to the low level

### 19.2 Maximum Operating Frequency of TCK

The maximum operating frequency of TCK is 10 MHz.

### 19.3 IDCODE

IDCODE is as follows.

|   |                     |
|---|---------------------|
| IDCODE 0x082C7447                         |                     |
| <breakdown>                               |                     |
| Version                                   | 0000                |
| Part number                               | 1000 0011 1110 0000 |
| Manufacturer number : Renesas Electronics | 0100 0100 011       |
| Fixed code                                | 1                   |

### 19.4 BSCAN Non-Supported Pins

The following pins do not support BSCAN.

**Table 19.1 List of BSCAN Non-Supported Pins**

|   |
|---|
| R-IN32M4-CL3  |
| XT1, XT2, PONRZ, JTAGSEL, CTRSTBYB, TMODE0–TMODE2, TMS, TDI, TDO, TRSTZ, TCK, P[0:1]_D[3:0]P/N, REF_FILT, REF_REXT, TANA_[1:0], REG_FB, REG_OUT |

### 19.5 How to Get BSDL

With regard to obtain the BSDL file, please contact a Renesas Sales Representative or Distributor in your area.

## 20. IBIS Information

For IBIS information, please contact a Renesas Sales Representative or Distributor in your area.

## 21. Marking Information

The following figures show the marking information of R-IN32M4-CL3.

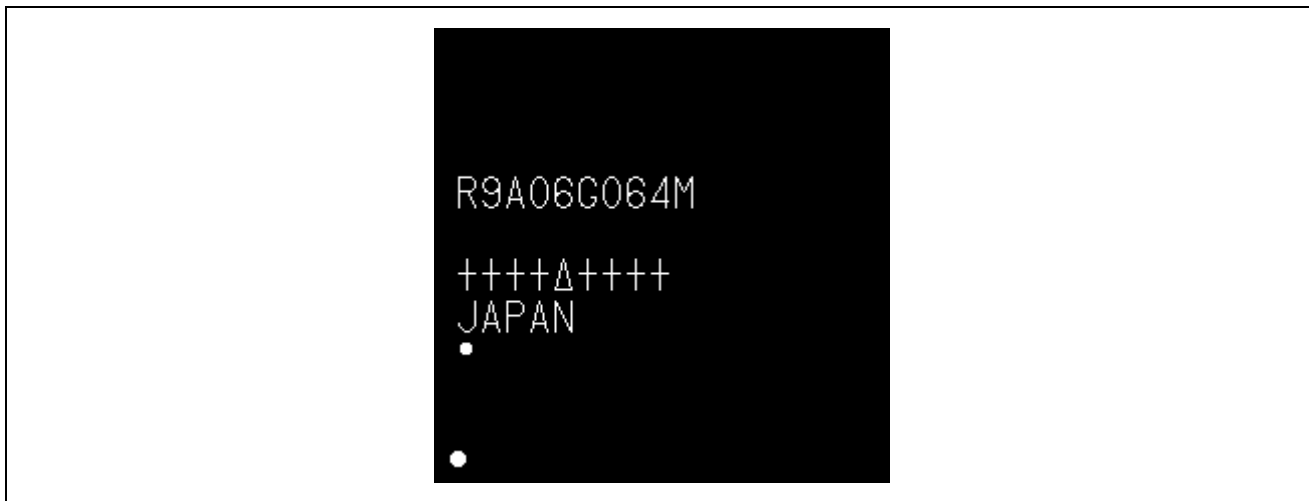


Figure 21.1 R-IN32M4-CL3 Marking Information (23 mm Square BGA Package)

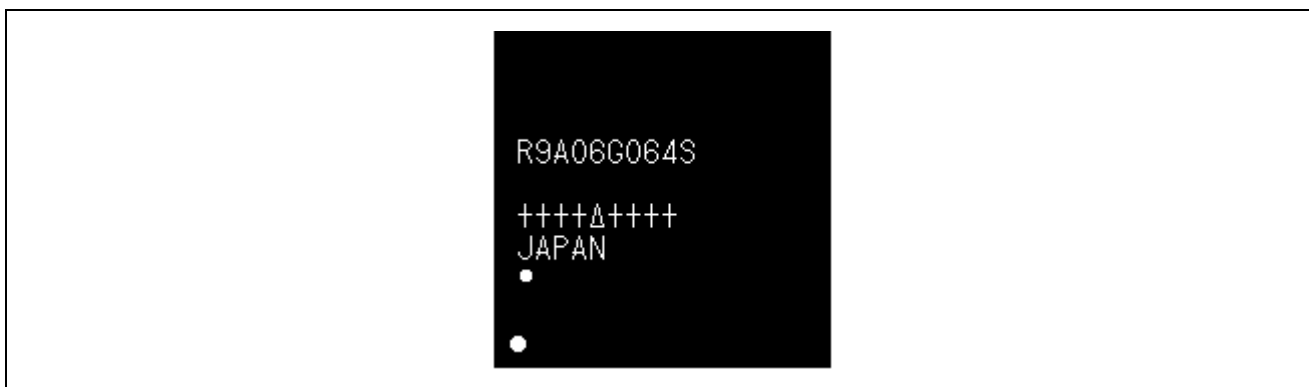


Figure 21.2 R-IN32M4-CL3 Marking Information (17 mm Square BGA Package)



## 22. Countermeasure for Noise

This section describes a countermeasure for noise in circuits that include an R-IN32M4-CL3.

### 22.1 Stopping Clock Output

If the BUSCLK pin is not in use, output on the pin from the R-IN32M4-CL3 can be stopped. See Section 4.2.2 “Clock Control Registers (CLKGTD0, CLKGTD1, CLKGTD2)” in the “R-IN32M4-CL3 User’s Manual: Hardware edition” regarding control of the GCBCLK bit in the CLKGTD1 register, which enables or disables output from the BUSCLK pin.

|                  |  |
|------------------|--|
| REVISION HISTORY | R-IN32M4-CL3 User's Manual: Board design edition |
|------------------|--|

| Rev. | Date         | Description |   |
|------|--------------|-------------|---|
|      |              | Page        | Summary   |
| 1.00 | Dec 24, 2019 | —           | First edition issued  |
| 2.00 | May 31, 2024 | 32          | 9. External MCU/Memory Interface Pins<br>Note for Table 9.1 was deleted.                                  |
|      |              | 43          | 9.2.2.1 Connection Example with SRAM<br>Address and data port names for R-IN32M4-CL3 were corrected.      |
|      |              | 44          | 9.2.2.2 Connection Example with Paged ROM<br>Address and data port names for R-IN32M4-CL3 were corrected. |

---

R-IN32M4-CL3 User's Manual  
Board design edition

Publication Date:   Rev.1.00   Dec 24, 2019  
                          Rev.2.00   May 31, 2024

Published by:       Renesas Electronics Corporation

---

R-IN32M4-CL3 User's Manual  
Board design edition