

## Brief Description

The ZSC31150 is a CMOS integrated circuit for highly accurate amplification and sensor-specific correction of bridge sensor signals. Digital compensation of sensor offset, sensitivity, temperature drift, and non-linearity is accomplished via an internal 16-bit RISC microcontroller running a correction algorithm, with calibration coefficients stored in an EEPROM.

The ZSC31150 is adjustable to nearly all bridge sensor types. Measured values are provided at the analog voltage output or at the digital ZACwire™ and I<sup>2</sup>C interface. The digital interface can be used for a simple PC-controlled calibration procedure in order to program a set of calibration coefficients into an on-chip EEPROM. A specific sensor and a ZSC31150 can be mated digitally: fast, precise, and without the cost overhead associated with trimming by external devices or a laser.

## Features

- Digital compensation of sensor offset, sensitivity, temperature drift, and non-linearity
- Adjustable to nearly all bridge sensor types
- Analog gain of up to 420
- Output options: ratiometric analog voltage output (5% to 95% maximum, 12.4-bit resolution) or ZACwire™ (digital one-wire-interface)
- Temperature compensation: internal or external diode, bridge resistance, thermistor
- Sensor biasing by voltage or constant current
- Sample rate: up to 7.8kHz
- High voltage protection up to 33V
- Supply current: max. 5.5mA
- Reverse polarity and short-circuit protection
- Wide operation temperature depending on part number: up to -40°C to +150°C
- Traceability by user-defined EEPROM entries
- Safety and diagnostic functions

## Benefits

- No external trimming components required
- Only a few external protection devices needed
- PC-controlled configuration and single pass calibration via I<sup>2</sup>C or ZACwire™ interface: simple, cost efficient, quick, and precise
- End-of-line calibration via I<sup>2</sup>C or ZACwire™ interface
- High accuracy (0.25% FSO at -25 to 85°C; 0.5% FSO at -40°C to 125°C)
- Excellent EMC/ESD robustness and AEC-Q100 qualification

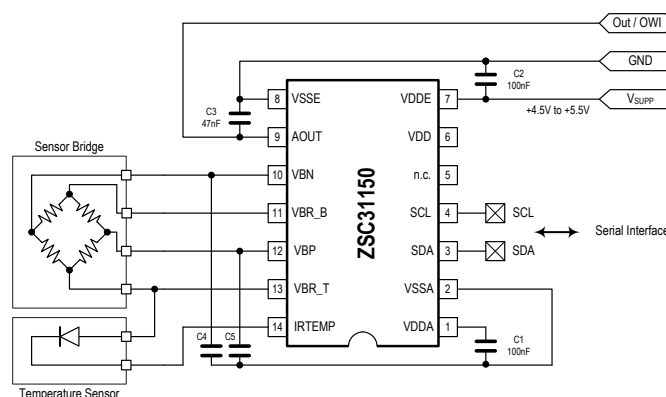
## Available Support

- Evaluation Kits
- Application Notes
- Mass Calibration System

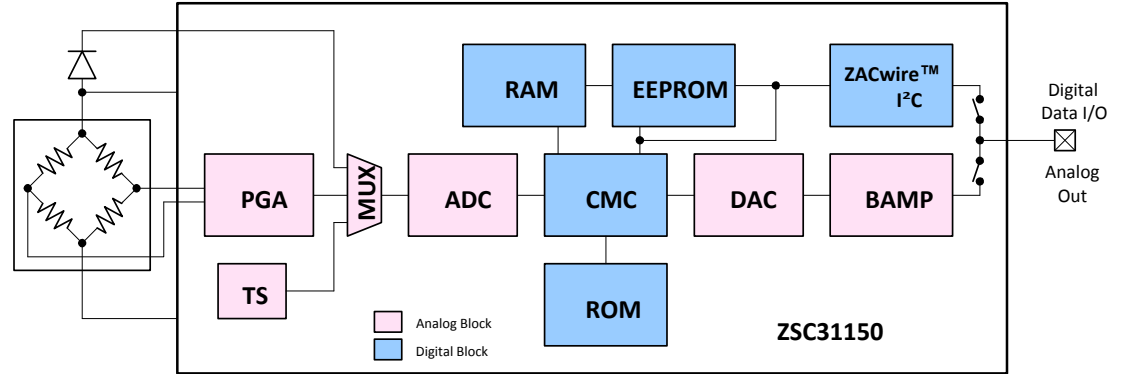
## Physical Characteristics

- Supply voltage: 4.5V to 5.5V
- Operation temperature: -40°C to 125°C (-40°C to +150°C extended temperature range)
- Available as 14-DFN (5 × 4 mm; wettable flanks), SSOP14, and die

## ZSC31150 Application Circuit



**ZSC31150  
Block Diagram**



**Ordering Information**

| Sales Code      | Description   | Package  |
|-----------------|---|--|
| ZSC31150GE      | ZSC31150 Die – Temperature range: -40°C to +150°C   | Unsawn on Wafer: add “B” to sales code<br>Sawn on Wafer Frame: add “C”<br>Waffle Pack: add “D” |
| ZSC31150GEG2-R  | ZSC31150 14-DFN (5 × 4 mm; wettable flanks) – Temperature range: -40°C to 150°C   | Tape and Reel  |
| ZSC31150GAG2-R  | ZSC31150 14-DFN (5 × 4 mm; wettable flanks) – Temperature range: -40°C to 125°C   | Tape and Reel  |
| ZSC31150GAB     | ZSC31150 Die – Temperature range: -40°C to +125°C   | Unsawn on Wafer  |
| ZSC31150GAC     | ZSC31150 Die – Temperature range: -40°C to +125°C   | Sawn on Wafer Frame  |
| ZSC31150GEG1    | ZSC31150 14-SSOP – Temperature range: -40°C to +150°C   | Tube: add “-T” to sales code<br>Tape & Reel: add “-R”  |
| ZSC31150GLG1    | ZSC31150 14-SSOP – Temperature range: -40°C to +150°C<br>(Long life: 5000h @150°C)  |  |
| ZSC31150GAG1    | ZSC31150 14-SSOP – Temperature range: -40°C to +125°C   |  |
| ZSC31150KITV1P2 | ZSC31150 SSC Evaluation Kit V1.2: Three interconnecting boards, five ZSC31150 SSOP14 samples, USB cable (software can be downloaded from product page at <a href="http://www.IDT.com/ZSC31150">www.IDT.com/ZSC31150</a> ) |  |
| ZSC31150MCSV1P1 | Modular Mass Calibration System (MSC) V1.1 for ZSC31150: MCS boards, cable, connectors (software can be downloaded from product page)   |  |

## Contents

|       |   |    |
|-------|---|----|
| 1.    | Electrical Characteristics .....                                      | 5  |
| 1.1   | Absolute Maximum Ratings .....  | 5  |
| 1.2   | Operating Conditions .....  | 5  |
| 1.3   | Electrical Parameters .....   | 6  |
| 1.3.1 | Supply Current and System Operation Conditions .....                  | 6  |
| 1.3.2 | Analog Front-End (AFE) Characteristics .....                          | 6  |
| 1.3.3 | Temperature Measurement <sup>[b]</sup> .....                          | 6  |
| 1.3.4 | Analog-to-Digital Conversion (ADC) .....                              | 7  |
| 1.3.5 | Sensor Connection Check .....   | 7  |
| 1.3.6 | Digital-to-Analog Conversion (DAC) and Analog Output (AOUT Pin) ..... | 7  |
| 1.3.7 | System Response .....   | 8  |
| 1.4   | Interface Characteristics and EEPROM .....                            | 8  |
| 1.4.1 | I <sup>2</sup> C Interface <sup>[a]</sup> .....                       | 8  |
| 1.4.2 | ZACwire™ One Wire Interface (OWI) .....                               | 9  |
| 1.4.3 | EEPROM .....  | 9  |
| 2.    | Circuit Description .....   | 10 |
| 2.1   | Signal Flow .....   | 10 |
| 2.2   | Application Modes .....   | 10 |
| 2.3   | Analog Front End (AFE) .....  | 11 |
| 2.3.1 | Programmable Gain Amplifier (PGA) .....                               | 11 |
| 2.3.2 | Offset Compensation .....   | 11 |
| 2.3.3 | Measurement Cycle .....   | 12 |
| 2.3.4 | Analog-to-Digital Converter .....                                     | 13 |
| 2.4   | Temperature Measurement .....   | 15 |
| 2.5   | System Control and Conditioning Calculation .....                     | 15 |
| 2.5.1 | Operation Modes .....   | 15 |
| 2.5.2 | Start Up Phase .....  | 15 |
| 2.5.3 | Conditioning Calculation .....  | 16 |
| 2.6   | Analog Output AOUT .....  | 16 |
| 2.7   | Serial Digital Interface .....  | 16 |
| 2.8   | Failsafe Features, Watchdog and Error Detection .....                 | 17 |
| 2.9   | High Voltage, Reverse Polarity, and Short Circuit Protection .....    | 17 |
| 3.    | Application Circuit Examples .....                                    | 18 |
| 4.    | Pin Configuration, Latch-Up and ESD Protection .....                  | 20 |
| 4.1   | Pin Configuration and Latch-up Conditions .....                       | 20 |
| 4.2   | ESD Protection .....  | 20 |
| 5.    | Package .....   | 21 |
| 5.1   | SSOP14 Package .....  | 21 |
| 5.2   | 14-DFN Package .....  | 21 |

|                                      |    |
|--------------------------------------|----|
| 6. Quality and Reliability .....     | 22 |
| 7. Customization .....               | 22 |
| 8. Ordering Information .....        | 23 |
| 9. Related Documents and Tools ..... | 23 |
| 10. Glossary .....                   | 24 |
| 11. Document Revision History .....  | 25 |

## List of Figures

|  |    |
|--|----|
| Figure 2.1 Block Diagram of the ZSC31150 .....                                 | 10 |
| Figure 2.2 Measurement Cycle .....   | 13 |
| Figure 3.1 Bridge in Voltage Mode, External Diode Temperature Sensor .....     | 18 |
| Figure 3.2 Bridge in Voltage Mode, External Thermistor .....                   | 19 |
| Figure 3.3 Bridge in Current Mode, Temperature Measurement via Bridge TC ..... | 19 |
| Figure 5.1 SSOP14 Pin Diagram .....  | 21 |
| Figure 5.2 Outline Drawing for 14-DFN Package with Wettable Flanks .....       | 22 |

## List of Tables

|   |    |
|---|----|
| Table 1.1 Absolute Maximum Ratings .....  | 5  |
| Table 1.2 Operating Conditions .....  | 5  |
| Table 1.3 Electrical Parameters .....   | 6  |
| Table 1.4 Interface and EEPROM Characteristics .....                                    | 8  |
| Table 2.1 Adjustable Gains, Resulting Sensor Signal Spans, and Common Mode Ranges ..... | 11 |
| Table 2.2 Analog Zero Point Shift Ranges (XZC) .....                                    | 12 |
| Table 2.3 Analog Output Resolution versus Sample Rate .....                             | 14 |
| Table 3.1 Application Circuit Parameters .....  | 18 |
| Table 4.1 Pin Configuration and Latch-Up Conditions .....                               | 20 |
| Table 5.1 14-DFN Package Dimensions .....   | 22 |

# 1. Electrical Characteristics

## 1.1 Absolute Maximum Ratings

The absolute maximum ratings are stress ratings only. The ZSC31150 might not function or be operable above the recommended operating conditions. Stresses exceeding the absolute maximum ratings might also damage the device. In addition, extended exposure to stresses above the recommended operating conditions might affect device reliability. IDT does not recommend designing to the “Absolute Maximum Ratings.”

Parameters apply in operation temperature range and without time limitations.

**Table 1.1 Absolute Maximum Ratings**

| No.   | Parameter                                 | Symbol                                 | Conditions                               | Min  | Max        | Unit |
|-------|---|--|--|------|------------|------|
| 1.1.1 | Supply voltage [a]                        | VDDE                                   | To VSSE.                                 | -33  | 33         | VDC  |
| 1.1.2 | Potential at the AOUT pin [a]             | V <sub>OUT</sub>                       | Relative to VSSE.                        | -33  | 33         | VDC  |
| 1.1.3 | Analog supply voltage [a]                 | VDDA                                   | Relative to VSSA.<br>VDDE - VDDA < 0.35V | -0.3 | 6.5        | VDC  |
| 1.1.4 | Voltage at all analog and digital IO pins | V <sub>A,IO</sub><br>V <sub>D,IO</sub> | Relative to VSSA.                        | -0.3 | VDDA + 0.3 | VDC  |
| 1.1.5 | Storage temperature                       | T <sub>STG</sub>                       |  | -55  | 150        | °C   |

[a] Refer to the ZSC31150 Technical Note – High Voltage Protection for specification and detailed conditions for high voltage protection.

## 1.2 Operating Conditions

All voltages are related to VSSA. See important table notes at the end of the table.

**Table 1.2 Operating Conditions**

| No.   | Parameter   | Symbol               | Conditions  | Min                    | Typ | Max | Unit |
|-------|---|----------------------|---|------------------------|-----|-----|------|
| 1.2.1 | TQE ambient temperature range for part numbers ZSC31150xExx [a] | T <sub>AMB_TQE</sub> | TQE   | -40                    |     | 150 | °C   |
|       | TQA ambient temperature range for part numbers ZSC31150xAxx [b] | T <sub>AMB_TQA</sub> | TQA   | -40                    |     | 125 | °C   |
|       | TQI ambient temperature range for advanced performance [b]      | T <sub>AMB_TQI</sub> | TQI   | -25                    |     | 85  | °C   |
| 1.2.2 | Supply voltage  | VDDE                 |   | 4.5                    | 5.0 | 5.5 | VDC  |
| 1.2.3 | Bridge resistance—Bridge Voltage Mode [b], [c]                  | R <sub>BR_V</sub>    |   | 2                      |     | 25  | kΩ   |
| 1.2.4 | Bridge resistance—Bridge Current Excitation Mode [b], [c]       | R <sub>BR_C</sub>    | See specification 1.2.6 for I <sub>BR_MAX</sub>   |                        |     | 10  | kΩ   |
| 1.2.5 | Current reference resistor [b], [d]                             | R <sub>IBR</sub>     | I <sub>BR</sub> = VDDA / (16 * R <sub>IBR</sub> ) | 0.07 * R <sub>BR</sub> |     |     | kΩ   |
| 1.2.6 | Maximum bridge current  | I <sub>BR_MAX</sub>  |   |                        |     | 2   | mA   |

| No.   | Parameter                                    | Symbol        | Conditions                            | Min | Typ | Max                             | Unit  |
|-------|--|---------------|---------------------------------------|-----|-----|---------------------------------|-------|
| 1.2.7 | Maximum bridge top voltage                   | $V_{BR\_TOP}$ |                                       |     |     | $(^{15}/_{16} * V_{DDA}) - 0.3$ | V     |
| 1.2.8 | TC current reference resistor <sup>[b]</sup> | TC $R_{IBR}$  | Behavior influences current generated |     | 50  |                                 | ppm/K |

[a] Refer to the temperature profile description in the ZSC31150 Technical Note – Die and Package Specifications for operation in temperature range > 125°C.

[b] No measurement in mass production; parameter is guaranteed by design and/or quality observation.

[c] Symmetric behavior and identical electrical properties (especially with regard to the low pass characteristic) of both sensor inputs of the ZSC31150 are required. Unsymmetrical conditions of the sensor and/or external components connected to the sensor input pins of ZSC31150 can generate a failure in signal operation.

[d] See application circuit components in Table 3.1.

### 1.3 Electrical Parameters

All parameter values are valid for operating conditions specified in section 1.2 except as noted. All voltages related to VSSA. See important table notes at the end of the table.

**Table 1.3 Electrical Parameters**

| No.   | Parameter  | Symbol        | Conditions   | Min            | Typ | Max            | Unit            |
|---|--|---------------|--|----------------|-----|----------------|-----------------|
| <b>1.3.1 Supply Current and System Operation Conditions</b> |  |               |  |                |     |                |                 |
| 1.3.1.1   | Supply current   | $I_S$         | Without bridge and load current; $T_{AMB\_TQA}$ ;<br>$f_{CLK} \leq 3\text{MHz}$                      |                |     | 5.5            | mA              |
| 1.3.1.2   | Clock frequency <sup>[a]</sup>                             | $f_{OSC}$     | Guaranteed adjustment range (see the ZSC31150 Functional Description for details);<br>$T_{AMB\_TQA}$ | 2              | 3   | 4              | MHz             |
| <b>1.3.2 Analog Front-End (AFE) Characteristics</b>         |  |               |  |                |     |                |                 |
| 1.3.2.1   | Input span   | $V_{IN\_SP}$  | Analog gain: 420 to 2.8  | 1              |     | 275            | mV/V            |
| 1.3.2.2   | Analog offset compensation range                           |               | Depends on gain adjust; refer to section 2.3.1   | -300           |     | 300            | % $V_{IN\_SP}$  |
| 1.3.2.3   | Parasitic differential input offset current <sup>[a]</sup> | $I_{IN\_OFF}$ | Within $T_{AMB\_TQE}$  | -10            |     | 10             | nA              |
|   |  |               | Within $T_{AMB\_TQI}$  | -2             |     | 2              | nA              |
| 1.3.2.4   | Common mode input range                                    | $V_{IN\_CM}$  | Depends on gain adjustment; no XZC; see section 2.3.1  | 0.29 *<br>VDDA |     | 0.65 *<br>VDDA | V               |
| <b>1.3.3 Temperature Measurement<sup>[b]</sup></b>          |  |               |  |                |     |                |                 |
| 1.3.3.1   | External temperature diode channel gain                    | $a_{TSED}$    |  | 300            |     | 1300           | ppm FS / (mV/V) |
| 1.3.3.2   | External temperature diode bias current                    | $I_{TSE}$     |  | 6              | 10  | 20             | $\mu\text{A}$   |

| No.  | Parameter   | Symbol                     | Conditions  | Min  | Typ | Max  | Unit             |
|--|---|----------------------------|---|------|-----|------|------------------|
| 1.3.3.3  | External temperature diode input range [a]              |                            |   | 0    |     | 1.5  | V                |
| 1.3.3.4  | External temperature resistor channel gain              | $a_{T\text{SER}}$          |   | 1200 |     | 3500 | ppm FS / (mV/V)  |
| 1.3.3.5  | External temperature resistor / input voltage range [a] | $V_{T\text{SER}}$          |   | 0    |     | 600  | mV/V             |
| 1.3.3.6  | Internal temperature diode sensitivity                  | $ST_{T\text{SI}}$          | Raw values – without conditioning   | 700  |     | 2700 | ppm FS / K       |
| <b>1.3.4 Analog-to-Digital Conversion (ADC)</b>                              |   |                            |   |      |     |      |                  |
| 1.3.4.1  | ADC resolution [a]                                      | $r_{\text{ADC}}$           |   | 13   |     | 16   | Bit              |
| 1.3.4.2  | ADC differential nonlinearity (DNL) [a]                 | $DNL_{\text{ADC}}$         | $r_{\text{ADC}} = 13\text{-bit}; f_{\text{CLK}} = 3\text{MHz};$<br>best fit, 2nd order; complete AFE; with ADC input range specified in 1.3.4.5 |      |     | 0.95 | LSB              |
| 1.3.4.3  | ADC integral nonlinearity (INL) within TQA [a]          | $INL_{\text{ADC}}$         |   |      |     | 4    | LSB              |
| 1.3.4.4  | ADC INL within TQE                                      | $INL_{\text{ADC}}$         |   |      |     | 5    | LSB              |
| 1.3.4.5  | ADC input range   | Range                      |   | 10   |     | 90   | %VDDA            |
| <b>1.3.5 Sensor Connection Check</b>   |   |                            |   |      |     |      |                  |
| 1.3.5.1  | Sensor connection loss detection threshold              | $R_{\text{SSC\_min}}$      |   | 100  |     |      | k $\Omega$       |
| 1.3.5.2  | Sensor input short check                                | $R_{\text{SSC\_short}}$    | Short detection guaranteed  | 0    |     | 50   | $\Omega$         |
| 1.3.5.3  | Sensor input no-short threshold                         | $R_{\text{SSC\_pass}}$     | A short is not indicated above this threshold   | 1000 |     |      | $\Omega$         |
| <b>1.3.6 Digital-to-Analog Conversion (DAC) and Analog Output (AOUT Pin)</b> |   |                            |   |      |     |      |                  |
| 1.3.6.1  | DAC resolution  | $r_{\text{DAC}}$           | Analog output, 10-90%   |      | 12  |      | Bit              |
| 1.3.6.2  | Output current sink and source for VDDE=5V              | $I_{\text{SRC/SINK\_OUT}}$ | $V_{\text{OUT}}: 5\text{-}95\%, R_{\text{LOAD}} \geq 2\text{k}\Omega$   |      |     | 2.5  | mA               |
|  |   |                            | $V_{\text{OUT}}: 10\text{-}90\%, R_{\text{LOAD}} \geq 1\text{k}\Omega$  |      |     | 5    | mA               |
| 1.3.6.3  | Short circuit current                                   | $I_{\text{OUT\_max}}$      | To VSSE or VDDE [c]   | -25  |     | 25   | mA               |
| 1.3.6.4  | Addressable output signal range                         | $V_{\text{SR\_OUT95}}$     | @ $R_{\text{LOAD}} \geq 2\text{k}\Omega$  | 0.05 |     | 0.95 | VDDE             |
|  |   | $V_{\text{SR\_OUT90}}$     | @ $R_{\text{LOAD}} \geq 1\text{k}\Omega$  | 0.1  |     | 0.9  | VDDE             |
| 1.3.6.5  | Output slew rate [a]                                    | $SR_{\text{OUT}}$          | $C_{\text{LOAD}} < 50\text{nF}$   | 0.1  |     |      | V/ $\mu\text{s}$ |
| 1.3.6.6  | Output resistance in diagnostic mode                    | $R_{\text{OUT\_DIA}}$      | Diagnostic Range:<br><4 96>%, $R_{\text{LOAD}} \geq 2\text{k}\Omega$<br><8 92>%, $R_{\text{LOAD}} \geq 1\text{k}\Omega$                         |      |     | 82   | $\Omega$         |
| 1.3.6.7  | Load capacitance [a]                                    | $C_{\text{LOAD}}$          | C3 (see section 3)  |      |     | 150  | nF               |
| 1.3.6.8  | DNL (DAC)   | $DNL_{\text{OUT}}$         |   | -1.5 |     | 1.5  | LSB              |
| 1.3.6.9  | INL TQA (DAC) [a]                                       | $INL_{\text{OUT}}$         | Best fit, $r_{\text{DAC}} = 12\text{-bit}$  | -5   |     | 5    | LSB              |

| No.                          | Parameter   | Symbol                 | Conditions   | Min | Typ           | Max  | Unit |
|------------------------------|---|------------------------|--|-----|---------------|------|------|
| 1.3.6.10                     | INL TQE (DAC)   | INL <sub>OUT</sub>     | Best fit, r <sub>DAC</sub> =12-bit   | -8  |               | 8    | LSB  |
| 1.3.6.11                     | Output leak current @150°C  | I <sub>LEAK_OUT</sub>  | power or ground loss   | -25 |               | 25   | μA   |
| <b>1.3.7 System Response</b> |   |                        |  |     |               |      |      |
| 1.3.7.1                      | Startup time [d]  | t <sub>STA</sub>       | To 1 <sup>st</sup> output; f <sub>CLK</sub> =3MHz;<br>no ROM check; ADC 14-bit<br>and 2nd order  |     |               | 5    | ms   |
| 1.3.7.2                      | Response time (100% jump) [a]   | t <sub>RESP</sub>      | f <sub>CLK</sub> =4MHz; 13-bit, 2nd order;<br>refer to Table 2.3   | 256 |               | 512  | μs   |
| 1.3.7.3                      | Bandwidth [a]   |                        | Comparable to analog SSCs  |     | 5             |      | kHz  |
| 1.3.7.4                      | Analog output noise<br>peak-to-peak [a]   | V <sub>NOISE,PP</sub>  | Shorted inputs;<br>bandwidth ≤ 10kHz   |     |               | 10   | mV   |
| 1.3.7.5                      | Analog output noise RMS [a]   | V <sub>NOISE,RMS</sub> | Shorted inputs;<br>bandwidth ≤ 10kHz   |     |               | 3    | mV   |
| 1.3.7.6                      | Ratiometricity error  | RE <sub>OUT_5</sub>    | Maximum error of<br>VDDE=5V to 4.5/5.5V  |     |               | 1000 | ppm  |
| 1.3.7.7                      | Overall failure (deviation from<br>ideal line including the INL,<br>gain, offset and temperature<br>errors) [e] | F <sub>ALL TQI</sub>   | 13-bit, 2 <sup>nd</sup> order ADC;<br>f <sub>CLK</sub> ≤ 3MHz; XZC=0<br>No sensor caused effects;<br>value in parentheses is the<br>digital readout. |     | 0.25<br>(0.1) |      | % FS |
|                              |   | F <sub>ALL TQA</sub>   |  |     | 0.5<br>(0.25) |      | % FS |
|                              |   | F <sub>ALL TQE</sub>   |  |     | 1.0<br>(0.5)  |      | % FS |

[a] No measurement in mass production; parameter is guaranteed by design and/or quality observation.

[b] Refer to section 2.4.

[c] Minimum output voltage to VDDE or maximum output voltage to VSSE.

[d] Depends on resolution and configuration - start routine begins approximately 0.8ms after power on.

[e] XZC is active: additional overall failure of 25ppm/K for XZC=31 at maximum; failure decreases linearly for XZC adjustments lower than 31.

## 1.4 Interface Characteristics and EEPROM

**Table 1.4 Interface and EEPROM Characteristics**

| No.                                       | Parameter                | Symbol                 | Conditions                       | Min | Typ | Max  | Unit |
|---|--------------------------|------------------------|----------------------------------|-----|-----|------|------|
| <b>1.4.1 I<sup>2</sup>C Interface [a]</b> |                          |                        |                                  |     |     |      |      |
| 1.4.1.1                                   | Input-high level [b]     | V <sub>I2C_IN_H</sub>  |                                  | 0.8 |     |      | VDDA |
| 1.4.1.2                                   | Input-low level [b]      | V <sub>I2C_IN_L</sub>  |                                  |     |     | 0.2  | VDDA |
| 1.4.1.3                                   | Output-low level [b]     | V <sub>I2C_OUT_L</sub> | Open Drain, I <sub>OL</sub> <2mA |     |     | 0.15 | VDDA |
| 1.4.1.4                                   | SDA load capacitance [b] | C <sub>SDA</sub>       |                                  |     |     | 400  | pF   |



| No.  | Parameter                                  | Symbol           | Conditions  | Min  | Typ | Max        | Unit       |
|--|--|------------------|---|------|-----|------------|------------|
| 1.4.1.5  | SCL clock frequency [b]                    | $f_{SCL}$        |   |      |     | 400        | kHz        |
| 1.4.1.6  | Internal pull-up resistor [b]              | $R_{I2C}$        |   | 25   |     | 100        | k $\Omega$ |
| <b>1.4.2 ZACwire™ One Wire Interface (OWI)</b> |  |                  |   |      |     |            |            |
| 1.4.2.1  | Input-low level [b]                        | $V_{OWI\_IN\_L}$ |   |      |     | 0.2        | VDDA       |
| 1.4.2.2  | Input-high level [b]                       | $V_{OWI\_IN\_H}$ |   | 0.75 |     |            | VDDA       |
| 1.4.2.3  | Pull-up resistance master                  | $R_{OWI\_PUP}$   |   | 0.3  | 3.3 |            | k $\Omega$ |
| 1.4.2.4  | OWI load capacitance                       | $C_{OWI\_LOAD}$  | Summarized OWI line load  |      |     | 50         | nF         |
| 1.4.2.5  | Start window [b]                           |                  | Typ: @ $f_{CLK}=3\text{MHz}$  | 96   | 175 | 455        | ms         |
| <b>1.4.3 EEPROM</b>                            |  |                  |   |      |     |            |            |
| 1.4.3.1  | Ambient temperature EEPROM programming [b] | $T_{AMB\_EEP}$   |   | -40  |     | 150        | °C         |
| 1.4.3.2  | Write cycles [b]                           | $N_{WRI\_EEP}$   | Write temperature: $\leq 85^{\circ}\text{C}$  |      |     | 100k       |            |
|  |  |                  | Write temperature: up to $150^{\circ}\text{C}$  |      |     | 100        |            |
| 1.4.3.3  | Read cycles [b], [c]                       | $N_{READ\_EEP}$  | Read temperature: $\leq 175^{\circ}\text{C}$  |      |     | $8 * 10^8$ |            |
| 1.4.3.4  | Data retention [b], [d]                    | $t_{RET\_EEP}$   | 1300h at $175^{\circ}\text{C}$ = 100000h at $55^{\circ}\text{C}$ ; 27000h at $125^{\circ}\text{C}$ ; 3000h at $150^{\circ}\text{C}$ |      |     | 15         | years      |
| 1.4.3.5  | Programming time [b]                       | $t_{WRI\_EEP}$   | Per written word, $f_{CLK}=3\text{MHz}$   |      | 12  |            | ms         |

[a] Refer to the ZSC31150 Functional Description for timing details.

[b] No measurement in mass production; parameter is guaranteed by design and/or quality observation.

[c] Note that the package and temperature versions cause additional restrictions.

[d] Over lifetime; use calculation sheet *SSC Temperature Profile Calculation Spreadsheet* for temperature stress calculation; note additional restrictions are caused by different package and temperature versions.

## 2. Circuit Description

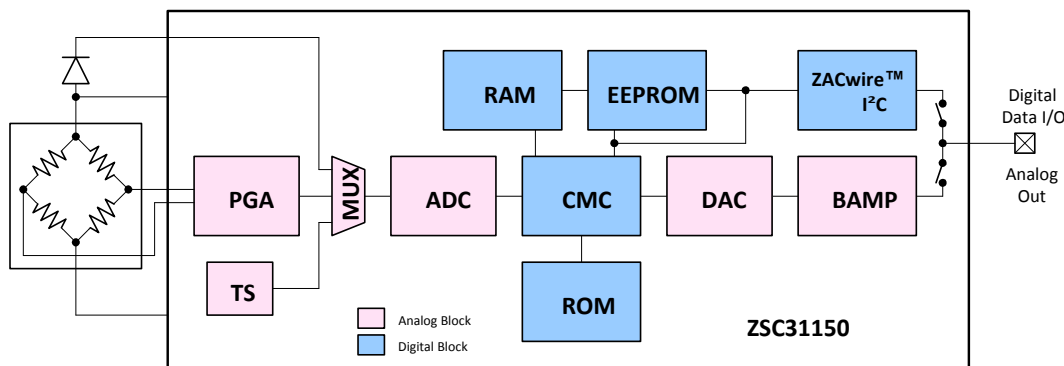
Note: This data sheet provides specifications and a general overview of ZSC31150 operation. For details of operation, including configuration settings and related EEPROM registers, refer to the *ZSC31150 Functional Description*.

### 2.1 Signal Flow

The ZSC31150's signal path includes both analog (shown in blue in Figure 2.1) and digital (pink) sections. The analog path is differential; i.e., the differential bridge sensor signal is handled internally via two signal lines that are symmetrical around a common mode potential (analog ground =  $VDDA/2$ ), which improves noise rejection.

Consequently, it is possible to amplify positive and negative input signals, which are located within the common mode range of the signal input.

**Figure 2.1 Block Diagram of the ZSC31150**



The differential signal from the bridge sensor is pre-amplified by the programmable gain amplifier (PGA). The multiplexer (MUX) transmits the signals from either the bridge sensor, the external diode, or the separate temperature sensor to the analog-to-digital converter (ADC) in a specific sequence (the internal pn-junction (TS) can be used instead of the external temperature diode). Next, the ADC converts these signals into digital values.

The digital signal correction takes place in the calibration microcontroller (CMC). It is based on a correction formula located in the ROM and sensor-specific coefficients stored in the EEPROM during calibration. Depending on the programmed output configuration, the corrected sensor signal is output as an analog value or in a digital format (I<sup>2</sup>C or ZACwire™). The configuration data and the correction parameters can be programmed into the EEPROM via the digital interfaces.

### 2.2 Application Modes

For each application, a configuration set must be established (generally prior to calibration) by programming the on-chip EEPROM regarding to the following modes:

#### Sensor Channel

- Sensor mode: ratiometric bridge excitation in voltage or current supply mode.
- Input range: the gain adjustment of the AFE with respect to the maximum sensor signal span and the zero point of the ADC have to be chosen.
- An additional analog offset compensation, the Extended Zero-Point Compensation (XZC), must be enabled if required; e.g., if the sensor offset voltage is close to or larger than the sensor span.
- Resolution/response time: The ADC must be configured for resolution and conversion settings (1<sup>st</sup> or 2<sup>nd</sup> order). These settings influence the sampling rate, signal integration time, and, as a result, the noise immunity.

#### Temperature

- Temperature measurement: the source for the temperature correction must be chosen.

## 2.3 Analog Front End (AFE)

The analog front end (AFE) consists of the programmable gain amplifier (PGA), the multiplexer (MUX), and the analog-to-digital converter (ADC).

### 2.3.1 Programmable Gain Amplifier (PGA)

Table 2.1 shows the adjustable gains, the sensor signal spans, and the allowed common mode range.

**Table 2.1 Adjustable Gains, Resulting Sensor Signal Spans, and Common Mode Ranges**

| No. | Overall Gain<br>$a_{IN}$ | Max. Span<br>$V_{IN\_SP}$<br>[mV/V] [a] | Gain<br>Amp1 | Gain<br>Amp2 | Gain<br>Amp3 | Input Common Mode Range<br>$V_{IN\_CM}$ as % of $V_{DDA}$ [b] |                |
|-----|--------------------------|---|--------------|--------------|--------------|---|----------------|
|     |                          |   |              |              |              | XZC = Off   | XZC = On       |
| 1   | 420                      | 1.8                                     | 30           | 7            | 2            | 29 to 65  | 45 to 55       |
| 2   | 280                      | 2.7                                     | 30           | 4.66         | 2            | 29 to 65  | 45 to 55       |
| 3   | 210                      | 3.6                                     | 15           | 7            | 2            | 29 to 65  | 45 to 55       |
| 4   | 140                      | 5.4                                     | 15           | 4.66         | 2            | 29 to 65  | 45 to 55       |
| 5   | 105                      | 7.1                                     | 7.5          | 7            | 2            | 29 to 65  | 45 to 55       |
| 6   | 70                       | 10.7                                    | 7.5          | 4.66         | 2            | 29 to 65  | 45 to 55       |
| 7   | 52.5                     | 14.3                                    | 3.75         | 7            | 2            | 29 to 65  | 45 to 55       |
| 8   | 35                       | 21.4                                    | 3.75         | 4.66         | 2            | 29 to 65  | 45 to 55       |
| 9   | 26.3                     | 28.5                                    | 3.75         | 3.5          | 2            | 29 to 65  | 45 to 55       |
| 10  | 14                       | 53.75                                   | 1            | 7            | 2            | 29 to 65  | 45 to 55       |
| 11  | 9.3                      | 80                                      | 1            | 4.66         | 2            | 29 to 65  | 45 to 55       |
| 12  | 7                        | 107                                     | 1            | 3.5          | 2            | 29 to 65  | 45 to 55       |
| 13  | 2.8                      | 267                                     | 1            | 1.4          | 2            | 32 to 57  | not applicable |

[a] Recommended internal signal range maximum is 80% of the  $V_{DDA}$  voltage. Span is calculated by the following formula:  
Span = 80% / gain.

[b] Bridge in Voltage Mode with maximum input signal (with XZC = +300% Offset), 14-bit accuracy. Refer to the *ZSC31150 Functional Description* for usable input signal/common mode range at bridge in current mode. See section 2.3.2 for an explanation of the extended analog zero compensation (XZC).

### 2.3.2 Offset Compensation

The ZSC31150 supports two methods of sensor offset compensation (zero shift):

- Digital offset correction
- XZC: analog compensation for large offset values (up to a maximum of approximately 300% of the span, depending on the gain adjustment)

The digital sensor offset correction will be processed during the digital signal correction/conditioning by the calibration microcontroller (CMC).

Analog sensor offset pre-compensation is needed for compensation of large offset values, which would overdrive the analog signal path by uncompensated gaining. For analog sensor offset pre-compensation, a compensation voltage is added in the analog pre-gaining signal path (coarse offset removal). The analog offset compensation in the AFE can be adjusted by 6 EEPROM bits (refer to the *ZSC31150 Functional Description* for details).

**Table 2.2 Analog Zero Point Shift Ranges (XZC)**

| PGA gain<br>$a_{IN}$ | Max. Span $V_{IN\_SP}$<br>[mV/V] | Offset shift per step<br>as % of full span | Approximate maximum<br>offset shift [mV/V] | Approximate maximum<br>shift [% $V_{IN\_SP}$ ] (at $\pm 31$ ) |
|----------------------|----------------------------------|--|--|---|
| 420                  | 1.8                              | 12.5%                                      | 7.8  | 388%  |
| 280                  | 2.7                              | 7.6%                                       | 7.1  | 237%  |
| 210                  | 3.6                              | 12.5%                                      | 15.5                                       | 388%  |
| 140                  | 5.4                              | 7.6%                                       | 14.2                                       | 237%  |
| 105                  | 7.1                              | 12.5%                                      | 31   | 388%  |
| 70                   | 10.7                             | 7.6%                                       | 28   | 237%  |
| 52.5                 | 14.3                             | 12.5%                                      | 32   | 388%  |
| 35                   | 21.4                             | 7.6%                                       | 57   | 237%  |
| 26.3                 | 28.5                             | 5.2%                                       | 52   | 161%  |
| 14                   | 53.75                            | 12.5%                                      | 194  | 388%  |
| 9.3                  | 80                               | 7.6%                                       | 189  | 237%  |
| 7                    | 107                              | 5.2%                                       | 161  | 161%  |
| 2.8                  | 267                              | 0.83%                                      | 72   | 26%   |

### 2.3.3 Measurement Cycle

The complete measurement cycle is controlled by the CMC. Depending on EEPROM settings, the multiplexer (MUX) selects the following input signals in a defined sequence:

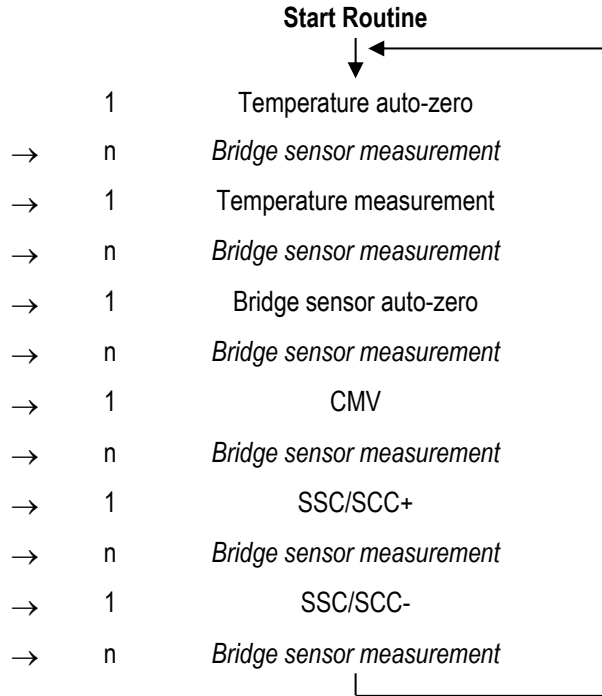
- Temperature measured by external diode or thermistor, internal pn-junction, or bridge
- Internal offset of the input channel ( $V_{OFF}$ )
- Pre-amplified bridge sensor signal

The cycle diagram in Figure 2.2 shows the basic structure of the measurement cycle. The bridge sensor measurement count can be configured in EEPROM for a value within  $n=\langle 1,31 \rangle$ .

After power-on, the startup routine is processed, which performs all measurements needed to acquire an initial valid conditioned sensor output. After the startup routine, the normal measurement cycle runs.

**Note:** The “CMV,” “SSC/SCC+” and “SSC/SCC-” measurements are always performed in every cycle independent of the EEPROM configuration.

**Figure 2.2 Measurement Cycle**



**2.3.4 Analog-to-Digital Converter**

The ADC is an integrating analog-to-digital converter in full differential switched capacitor technique.

Programmable ADC resolutions are  $r_{ADC} = \langle 13, 14 \rangle$  or with segmentation,  $r_{ADC} = \langle 15, 16 \rangle$  bit.

The ADC can be used as a first or second order converter. In the **first order** mode, it is inherently monotone and insensitive to short and long-term instability of the clock frequency. The conversion cycle time depends on the desired resolution and can be roughly calculated by the following equation where  $r_{ADC}$  is the ADC resolution and  $t_{ADC\_1}$  is the conversion cycle time in seconds in first-order mode:

$$t_{ADC\_1} = \frac{2^{r_{ADC}}}{\left(\frac{f_{OSC}}{2}\right)}$$

In the **second order** mode, two conversions are stacked with the advantage of a much shorter conversion cycle time but the drawback of a lower noise immunity caused by the shorter signal integration period. The approximate conversion cycle time  $t_{ADC\_2}$  in second-order mode is calculated by the following equation:

$$t_{ADC\_2} = \frac{2^{(r_{ADC}+3)/2}}{\left(\frac{f_{OSC}}{2}\right)}$$

The calculation formulas for  $t_{ADC}$  give an overview of conversion time for one AD conversion. Refer to the *ZSC31150 Bandwidth Calculation Spreadsheet* for detailed calculations for sampling time and bandwidth.

The result of the AD conversion is a relative counter result corresponding to the following equation (see the ZSC31150 Functional Description for more detailed equations):

$$Z_{ADC} = 2^{r_{ADC}} \left( \frac{V_{ADC\_DIFF}}{V_{ADC\_REF}} + RS_{ADC} \right)$$

$Z_{ADC}$  Number of counts (result of the conversion)

$r_{ADC}$  Selected ADC resolution in bits

$V_{ADC\_DIFF}$  Differential input voltage of the ADC

$V_{ADC\_REF}$  Reference voltage of the ADC

$RS_{ADC}$  Digital ADC range shift ( $RS_{ADC} = 1/16, 1/8, 1/4, 1/2$ , controlled by the EEPROM setting)

The sensor input signal can be shifted to the optimal input range of the ADC with the  $RS_{ADC}$  value.

**Table 2.3 Analog Output Resolution versus Sample Rate**

| ADC Adjustment |           | Approximated Output Resolution [a] |        | Sample Rate $f_{CON}$ [b] |                | Averaged Bandwidth at $f_{CLK}$ |                |
|----------------|-----------|------------------------------------|--------|---------------------------|----------------|---------------------------------|----------------|
| ADC Order      | $r_{ADC}$ | Digital                            | Analog | $f_{CLK}=3MHz$            | $f_{CLK}=4MHz$ | $f_{CLK}=3MHz$                  | $f_{CLK}=4MHz$ |
|                | [Bit]     | [Bit]                              | [Bit]  | [Hz]                      | [Hz]           | [Hz]                            | [Hz]           |
| 1              | 13        | 13                                 | 12     | 345                       | 460            | 130                             | 172            |
|                | 14        | 14                                 | 12     | 178                       | 237            | 67                              | 89             |
|                | 15        | 14                                 | 12     | 90                        | 120            | 34                              | 45             |
|                | 16        | 14                                 | 12     | 45                        | 61             | 17                              | 23             |
| 2              | 13        | 13                                 | 12     | 5859                      | 7813           | 2203                            | 2937           |
|                | 14        | 14                                 | 12     | 3906                      | 5208           | 1469                            | 1958           |
|                | 15        | 14                                 | 12     | 2930                      | 3906           | 1101                            | 1468           |
|                | 16        | 14                                 | 12     | 1953                      | 2604           | 734                             | 979            |

[a] The ADC resolution should be one bit higher than the required output resolution if the AFE gain is adjusted so that more than 50% of the input range is used. Otherwise the ADC resolution should be more than one bit higher than the required output resolution.

[b] The sampling rate (A/D conversion time) is only a part of the whole cycle; refer to the ZSC31150 Bandwidth Calculation Spreadsheet for detailed information.

**Note:** The ADC's reference voltage  $ADC_{VREF}$  is defined by the potential between <VBR\_T> and <VBR\_B> (or <VDDA> to <VSSA>, if selected in EEPROM by the bit CFGAPP:BREF=1). Theoretically, the input range  $ADC_{RANGE\_INP}$  of the ADC is equivalent to the ADC's reference voltage.

In practice, the maximum ADC input range used should be from 10% to 90% of  $ADC_{RANGE\_INP}$ , which is a necessary condition for ensuring the specified accuracy, stability, and nonlinearity parameters of the AFE. This condition is also valid for whole temperature range and all applicable sensor tolerances. The ZSC31150 does not have an internal failsafe function that verifies that the input meets this condition.

## 2.4 Temperature Measurement

The ZSC31150 supports four different methods for acquiring the temperature data needed for calibration of the sensor signal in the specified temperature range.

Temperature data can be acquired using one of these temperature sensors:

- an internal pn-junction temperature sensor
- an external pn-junction temperature sensor connected to sensor top potential ( $V_{BRTOP}$ )
- an external resistive half bridge temperature sensor
- the temperature coefficient of the sensor bridge at bridge current excitation

Refer to the *ZSC31150 Functional Description* for a detailed explanation of temperature sensor adaptation and adjustment.

## 2.5 System Control and Conditioning Calculation

The system control supports the following tasks/features:

- Controlling the measurement cycle according to the EEPROM-stored configuration data
- Performing the 16-bit correction calculation for each measurement signal using the EEPROM-stored calibration coefficients and ROM-based algorithms; i.e., the signal conditioning
- Managing the start-up sequence and starting signal conditioning
- Handling communication requests received by the digital interface
- Managing failsafe tasks for the functions of the ZSC31150 and indicating detected errors with diagnostic states

Refer to the *ZSC31150 Functional Description* for a detailed description.

### 2.5.1 Operation Modes

The internal state machine has three main states:

- The continuously running signal conditioning mode, which is called Normal Operation Mode (NOM)
- The calibration mode with access to all internal registers and states, which is called Command Mode (CM)
- The failure messaging mode, which is called Diagnostic Mode (DM)

### 2.5.2 Start Up Phase

The start-up phase\* consists of following segments:

1. Internal supply voltage settling phase (i.e., the  $V_{DDA} - V_{SSA}$  potential), which is ended when the reset signal is disabled through the power-on clear block (POR). Refer to the *ZSC31150 Technical Note – High Voltage Protection* document, section 4 for power on/off thresholds.  
**Time** (from beginning with  $V_{DDA}-V_{SSA}=0V$ ): 500 $\mu$ s to 2000 $\mu$ s; AOUT is in tri-state
2. System start, EEPROM read out, and signature check (and ROM check if selected by setting EEPROM bit CFGAPP:CHKROM=1).  
**Time**: ~200 $\mu$ s (~9000 $\mu$ s with ROM-check; i.e., 28180 clocks); AOUT is LOW (DM)
3. Processing the start routine for signal conditioning (all measurements and conditioning calculations).  
**Time**: 5 x A/D conversion time; AOUT behavior depends on selected OWI mode (refer to section 2.6):
  - **OWIANA & OWIDIS** => AOUT is LOW (DM)
  - **OWIWIN & OWIENA** => AOUT is in tri-state

\* All timings described are roughly estimated values and are affected by the internal clock frequency. Timings are estimated for  $f_{CLK}=3MHz$ .

The analog output AOUT will be activated at the end of the start-up phase depending on the adjusted output and communication mode (refer to section 2.6). If errors are detected, the Diagnostic Mode (DM) is activated and the diagnostic output signal is driven at the output.

After the start-up phase, the continuously running measurement and calibration cycle is started. Refer to *ZSC31150 Bandwidth Calculation Spreadsheet* for detailed information about output update rate.

### 2.5.3 Conditioning Calculation

The digitalized value for the bridge sensor measurement (acquired raw data) is processed with the correction formula to remove offset and temperature dependency and to compensate nonlinearity up to 3rd order. The result of the correction calculation is a non-negative 15-bit value for the bridge sensor in the range [0; 1). This value P is clipped with programmed limitation coefficients and continuously written to the output register of the digital serial interface and the output DAC.

**Note:** The conditioning includes up to third-order nonlinearity sensor input correction. The available adjustment ranges depend on the specific calibration parameters; for a detailed description, refer to *ZSC31150 Functional Description*. Basically, offset compensation and linear correction are only limited by the loss of resolution they will cause. The second-order correction is possible up to approximately 30% of the full scale difference from a straight line; third order is possible up to approximately 20% (ADC resolution = 13-bit). The calibration principle used is able to reduce existing nonlinearity errors of the sensor up to 90%. The temperature calibration includes first and second order correction and should be fairly sufficient in all relevant cases. ADC resolution also influences calibration possibilities; e.g., 1 additional bit of resolution reduces the calibration range by approximately 50%. The maximum calculation input data width is 14-bit. The 15 or 16 bit ADC resolution mode uses only a 14-bit segment of the ADC range.

## 2.6 Analog Output AOUT

The analog output is used for outputting the analog signal conditioning result and for “end of line” communication via the ZACwire™ interface one-wire communication interface (OWI). The ZSC31150 supports four different modes of the analog output in combination with the OWI behavior:

- OWIENA: Analog output is deactivated; OWI communication is enabled.
- OWIDIS: Analog output is active (~2ms after power-on); OWI communication is disabled.
- OWIWIN: Analog output will be activated after the time window; OWI communication is enabled in a time window of ~500ms (maximum); transmission of the “START\_CM” command must be finished during the time window.
- OWIANA: Analog output will be activated after a ~2ms power on time; OWI communication is enabled in a time window of ~500ms (maximum); transmission of the “START\_CM” command must be finished during time window; to communicate, the internal driven potential at AOUT must be overwritten by the external communication master (AOUT drive capability is current limited).

The analog output potential is driven by a unity gain output buffer for which the input signal is generated by a 12.4-bit resistor-string DAC. The output buffer (BAMP), which is a rail-to-rail op amp, is offset compensated and current limited. Therefore, a short-circuit of the analog output to ground or the power supply does not damage the ZSC31150.

## 2.7 Serial Digital Interface

The ZSC31150 includes a serial digital interface (SIF), which is used for communication with the circuit to calibrate the sensor module. The serial interface is able to communicate with two communication protocols: I<sup>2</sup>C and the ZACwire™ one-wire communication interface (OWI). The OWI can be used to for an “end of line” calibration via the analog output AOUT of the complete assembled sensor module.

Refer to the *ZSC31150 Functional Description* for a detailed description of the serial interfaces and communication protocols.



## **2.8 Failsafe Features, Watchdog and Error Detection**

The ZSC31150 detects various possible errors. A detected error is indicated by a change in the internal status in Diagnostic Mode (DM). In this case, the analog output is set to LOW (minimum possible output value; i.e., the lower diagnostic range LDR) and the output registers of the digital serial interface are set to a significant error code.

A watchdog oversees the continuous operation of the CMC and the running measurement loop. The operation of the internal clock oscillator is verified continuously by the oscillator failure detection.

A check of the sensor bridge for broken wires is done continuously by two comparators watching the input voltage of each input (sensor connection and short check). Additionally, the common mode voltages of the sensor and sensor input short are watched continuously (sensor aging).

Different functions and blocks in the digital section, e.g. the RAM, ROM, EEPROM, and register content, are watched continuously. Refer to the *ZSC31150 Functional Description* for a detailed description of safety features and methods of error indication.

## **2.9 High Voltage, Reverse Polarity, and Short Circuit Protection**

The ZSC31150 is designed for 5V power supply operation.

The ZSC31150 and the connected sensor are protected from overvoltage and reverse polarity damage by an internal supply voltage limiter. The analog output AOUT can be connected with all potentials (short circuit, over-voltage, and reverse voltage) in the protection range under all potential conditions at the VDDE and VSSE pins.

All external components (see section 3) are required to guarantee this operation. The protection is not time limited. Refer the *ZSC31150 Technical Note – High Voltage Protection* for a detailed description of protection cases and conditions.

### 3. Application Circuit Examples

The application circuits contain external components that are needed for over-voltage, reverse polarity, and short circuit protection.

**Recommendation:** Check the ZSC31150 product page [www.IDT.com/ZSC31150](http://www.IDT.com/ZSC31150) for other application examples given in application notes.

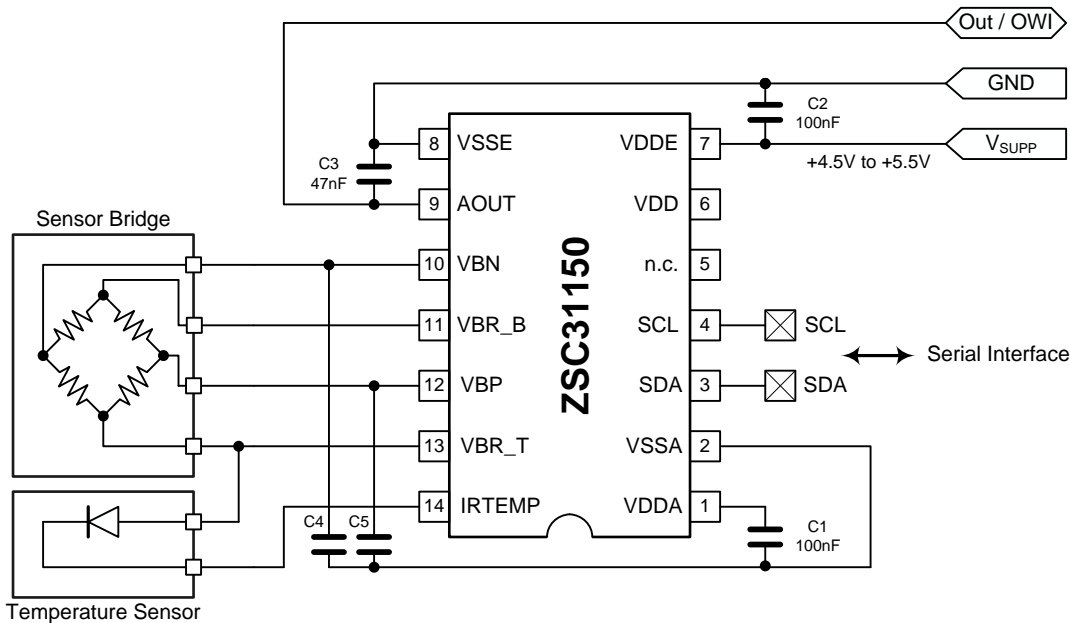
Note: Some application notes require a customer login—see section 9 for details.

**Table 3.1 Application Circuit Parameters**

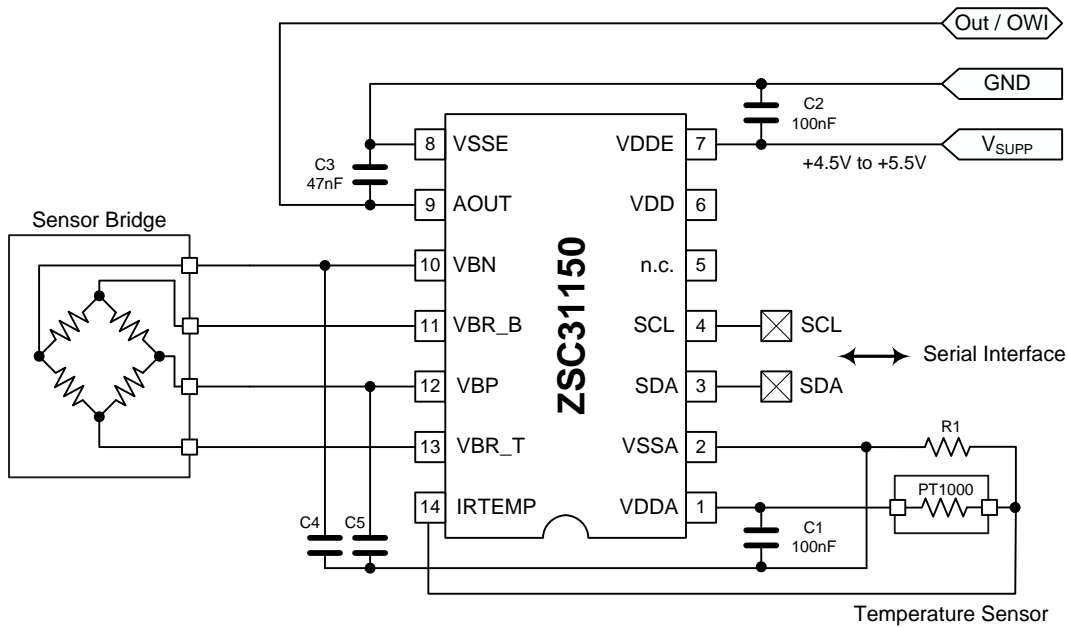
| Symbol           | Parameter | Min                   | Typ | Max | Unit | Notes   |
|------------------|-----------|-----------------------|-----|-----|------|---|
| C1               | C         | 100                   |     | 470 | nF   |   |
| C2               | C         | 100                   |     |     | nF   |   |
| C3 [a]           | C         | 4                     | 47  | 160 | nF   | The value of C3 is the sum of the load capacitor and the cable capacitance. |
| C4, C5 [a]       | C         | 0                     |     | 10  | nF   | Recommended to increase EMC immunity.                                       |
| R1               |           |                       | 10  |     | kΩ   |   |
| R <sub>IBR</sub> | R         | Refer to section 1.2. |     |     | Ω    |   |

[a] Higher values for C3, C4, and C5 increase EMC immunity.

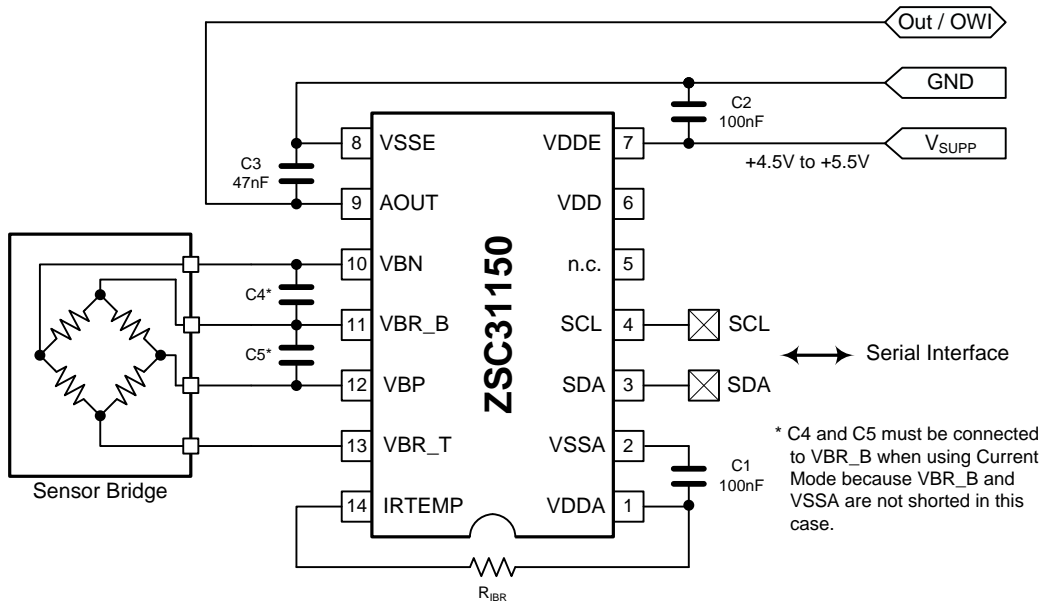
**Figure 3.1 Bridge in Voltage Mode, External Diode Temperature Sensor**



**Figure 3.2 Bridge in Voltage Mode, External Thermistor**



**Figure 3.3 Bridge in Current Mode, Temperature Measurement via Bridge TC**



## 4. Pin Configuration, Latch-Up and ESD Protection

### 4.1 Pin Configuration and Latch-up Conditions

**Table 4.1 Pin Configuration and Latch-Up Conditions**

| Pin | Name   | Description                                | Notes                  | Usage/<br>Connection [a] | Latch-up Related Application Circuit<br>Restrictions and/or Notes     |
|-----|--------|--|------------------------|--------------------------|---|
| 1   | VDDA   | Positive analog supply voltage             | Analog IO              | Required/-               |   |
| 2   | VSSA   | Negative analog supply voltage             | Analog IO              | Required/-               |   |
| 3   | SDA    | I <sup>2</sup> C data IO                   | Digital IO,<br>pull-up | -/VDDA                   | Trigger Current/Voltage to VDDA/VSSA:<br>+/-100mA or 8/-4V            |
| 4   | SCL    | I <sup>2</sup> C clock                     | Digital IN,<br>pull-up | -/VDDA                   |   |
| 5   | N.C.   | No connection                              |                        |                          |   |
| 6   | VDD    | Positive digital supply voltage            | Analog IO              | Required or<br>open/-    | Only capacitor to VSSA is allowed,<br>otherwise no application access |
| 7   | VDDE   | Positive external supply<br>voltage        | Supply                 | Required/-               | Trigger Current/Voltage: -100mA/33V                                   |
| 8   | VSSE   | Negative external supply<br>voltage        | Ground                 | Required/-               |   |
| 9   | AOUT   | Analog output and one wire<br>IF IO        | IO                     | Required/-               | Trigger Current/Voltage: -100mA/33V                                   |
| 10  | VBN    | Negative input sensor bridge               | Analog IN              | Required/-               |   |
| 11  | VBR_B  | Bridge bottom potential                    | Analog IO              | Required/VSSA            | Depending on application circuit,<br>short to VDDA/VSSA possible      |
| 12  | VBP    | Positive input sensor bridge               | Analog IN              | Required/-               |   |
| 13  | VBR_T  | Bridge top potential                       | Analog IO              | Required / VDDA          |   |
| 14  | IRTEMP | Temp sensor and current<br>source resistor | Analog IO              | - / VDDA, VSSA           | Depending on application circuit                                      |

[a] **Usage:** If "Required" is specified, an electrical connection is necessary; refer to the application circuits in section 3.  
**Connection:** To be connected to this potential if not used or if no application/configuration-related constraints are given.

### 4.2 ESD Protection

All pins have an ESD protection of > 2000V. Additionally, the pins VDDE, VSSE and AOUT have an ESD protection of >4000V.

ESD protection referenced to the Human Body Model is tested with devices during product qualification. The ESD test follows the Human Body Model with 1.5kΩ/100pF based on MIL 883, Method 3015.7.

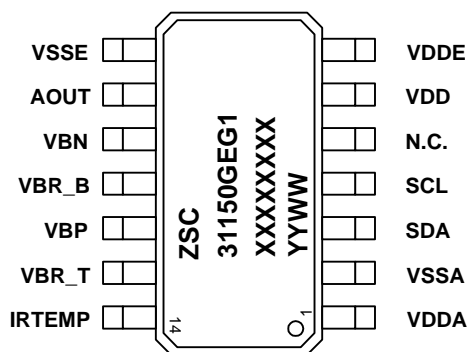
## 5. Package

### 5.1 SSOP14 Package

The standard packages of the ZSC31150 are the SSOP14 green package (5.3mm body width) with a lead pitch of 0.65mm and the DFN14 (4mmx5mm) package with a lead pitch of 0.5mm.

For the SSOP14 package markings shown in Figure 5.1, YYWW refers to the last two digits of the year (YY) and two digits for the work-week designation (WW). XXXXXXXX refers to the lot number.

**Figure 5.1 SSOP14 Pin Diagram**

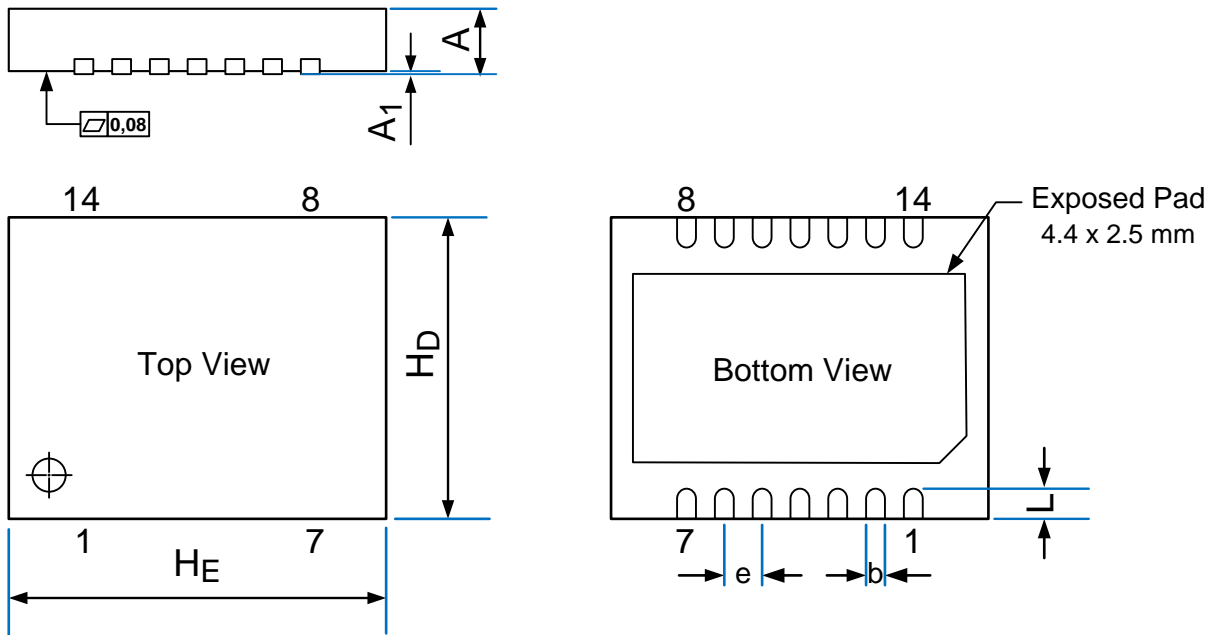


### 5.2 14-DFN Package

For the 14-DFN package, the pin assignment is the same as in SSOP14. Refer to the *ZSC31150 Technical Note – Die and Package Specifications* for a description of package markings.

Figure 5.2 provides the dimensions for the 14-DFN package option, which are based on JEDEC MO-229. The 14-DFN package has wettable flanks.

**Figure 5.2 Outline Drawing for 14-DFN Package with Wettable Flanks**



**Table 5.1 14-DFN Package Dimensions**

| Dimension      | Minimum     | Maximum |
|----------------|-------------|---------|
| A              | 0.8         | 0.9     |
| A <sub>1</sub> | 0           | 0.05    |
| b              | 0.2         | 0.3     |
| e              | 0.5 nominal |         |
| H <sub>D</sub> | 3.9         | 4.1     |
| H <sub>E</sub> | 4.9         | 5.1     |
| L              | 0.3         | 0.5     |

## 6. Quality and Reliability

The ZSC31150 is qualified according to the AEC-Q100 standard, operating temperature grade 0. A fit rate < 5fit (temperature =55°C, S=60%) is guaranteed. A typical fit rate of the C7D technology, which is used for ZSC31150, is 2.5fit.

## 7. Customization

For high-volume applications, which require an upgraded or downgraded functionality compared to the standard ZSC31150, IDT can customize the circuit design by adding or removing certain functional blocks.

For this purpose, IDT has a considerable library of sensor-dedicated circuitry blocks. As a result, IDT can provide a custom solution quickly. Please contact IDT for further information.

## 8. Ordering Information

| Product Sales Code | Description   | Package   |
|--------------------|---|---|
| ZSC31150GEB        | ZSC31150 Die — Temperature range: -40°C to +150°C   | Unsawn on Wafer                                       |
| ZSC31150GEC        | ZSC31150 Die — Temperature range: -40°C to +150°C   | Sawn on Wafer Frame                                   |
| ZSC31150GED        | ZSC31150 Die — Temperature range: -40°C to +150°C   | Waffle Pack   |
| ZSC31150GEG2-R     | ZSC31150 14-DFN (5 × 4 mm with wettable flank—Temperature range: -40°C to 150°C   | Tape & Reel   |
| ZSC31150GAG2-R     | ZSC31150 14-DFN (5 × 4 mm with wettable flank —Temperature range: -40°C to 125°C  | Tape & Reel   |
| ZSC31150GAB        | ZSC31150 Die — Temperature range: -40°C to +125°C   | Unsawn on Wafer                                       |
| ZSC31150GAC        | ZSC31150 Die — Temperature range: -40°C to +125°C   | Sawn on Wafer Frame                                   |
| ZSC31150GEG1       | ZSC31150 SSOP14—Temperature range: -40°C to +150°C  | Tube: add “-T” to sales code<br>Tape & Reel: add “-R” |
| ZSC31150GLG1       | ZSC31150 SSOP14—Temperature range: -40°C to +150°C<br>(Long life: 5000h @150°C)   | Tube: add “-T” to sales code<br>Tape & Reel: add “-R” |
| ZSC31150GAG1       | ZSC31150 SSOP14—Temperature range: -40°C to +125°C  | Tube: add “-T” to sales code<br>Tape & Reel: add “-R” |
| ZSC31150KITV1P2    | ZSC31150 SSC Evaluation Kit V1.2: three interconnecting boards, five ZSC31150 SSOP14 samples, USB cable (software can be downloaded from product page at <a href="http://www.IDT.com/ZSC31150">www.IDT.com/ZSC31150</a> ) |   |
| ZSC31150MCSV1P1    | Modular Mass Calibration System (MSC) V1.1 for ZSC31150: MCS boards, cable, connectors (software can be downloaded from product page at <a href="http://www.IDT.com/ZSC31150">www.IDT.com/ZSC31150</a> )                  |   |

## 9. Related Documents and Tools

Visit the ZSC31150 product page [www.IDT.com/ZSC31150](http://www.IDT.com/ZSC31150) on the IDT website at [www.IDT.com](http://www.IDT.com) or contact your nearest sales office for the latest version of this document and related documents.

## 10. Glossary

| Term   | Description   |
|--------|---|
| ADC    | Analog-to-Digital Converter                         |
| AEC    | Automotive Electronics Council                      |
| AFE    | Analog Front End                                    |
| AOUT   | Analog Output                                       |
| BAMP   | Buffer Amplifier                                    |
| CM     | Command Mode  |
| CMC    | Calibration Microcontroller                         |
| CMV    | Common Mode Voltage                                 |
| CMOS   | Complementary Metal Oxide Semiconductor             |
| DAC    | Digital-to-Analog Converter                         |
| DM     | Diagnostic Mode                                     |
| EEPROM | Electrically Erasable Programmable Read Only Memory |
| ESD    | Electrostatic Device                                |
| LDR    | Lower Diagnostic Range                              |
| MUX    | Multiplexer   |
| NOM    | Normal Operation Mode                               |
| OWI    | One Wire Interface                                  |
| P      | Bridge Sensor Measurement; e.g., Pressure Sensor    |
| PGA    | Programmable Gain Amplifier                         |
| POC    | Power on Clear                                      |
| RAM    | Random-Access Memory                                |
| RISC   | Reduced Instruction Set Computer                    |
| RMS    | Root-Mean-Square                                    |
| ROM    | Read Only Memory                                    |
| SCC    | Sensor Connection Check                             |
| SIF    | Serial Interface                                    |
| SSC+   | Positive-biased Sensor Short Check                  |
| SSC-   | Negative-biased Sensor Short Check                  |
| TS     | Temperature Sensor                                  |
| XZC    | eXtended Zero Compensation                          |



## 11. Document Revision History

| Date                                  | Description   |
|---------------------------------------|---|
| September 20, 2008<br>(Revision 1.01) | Section 6: fit rate added. Section 1.5.2: ROM check time revised/corrected.<br>Section 5.3.4.3: SC – no detection limit added.  |
| September 20, 2009<br>(Revision 1.02) | Update to new ZMDI template.  |
| October 2, 2009<br>(Revision 1.03)    | Update to ZMDI denotation.  |
| October 22, 2009<br>(Revision 1.04)   | Formatting and linking issues solved.   |
| February 26, 2010<br>(Revision 1.05)  | Update for ZMDI template, including <i>ZSC31150 Functional Description</i> at page 2 and 3.<br>Added ordering codes for ZSC31150 and evaluation kits. Extended glossary.<br>Update for contact information.   |
| July 29, 2010<br>(Revision 1.06)      | Correct “Offset shift per step” and “Approx. maximum offset shift” in Table 2.2 for PGA gain = 105 and 52.5.<br>Moved 1.4.1.6 “Internal pull-up resistor” into section 1.4.1 in Table 1.2. Redrew of Sensor Bridge in Figure 3.1, Figure 3.2, and Figure 3.3.<br>Added comment for C4 and C5 in Figure 3.3. Renamed ZMD31150 as ZSC31150. |
| August 31, 2010<br>(Revision 1.07)    | Connection of R <sub>IBR</sub> in Figure 3.3 corrected.   |
| August 15, 2011<br>(Revision 1.08)    | Update ordering information with “Long Life Automotive” in “Ordering Information” on page 3 and section 8.  |
| December 15, 2012<br>(Revision 2.00)  | Update for part numbers and IDT contact information. Minor edits.   |
| March 31, 2014<br>(Revision 2.10)     | Revision of specifications in section 1.4.2. Recommended internal signal range revised to 80%. OWI interface parameters list extended. ADC formula corrected. DFN14 package added. Minor edits for clarity. Updated contact information. Updated imagery for cover and headings.  |
| April 30, 2014<br>(Revision 2.20)     | Added notation that DFN14 package has wettable flanks.<br>Update for contact information and addition of CAD model files to section 9.  |
| August 27, 2014<br>(Revision 2.30)    | Minor edits on page 2.<br>Minor edits for die description in part code tables.  |
| December 3, 2014<br>(Revision 2.40)   | Corrected connection of temperature PTC sensor in Figure 3.2.<br>Update for contact information.  |
| July 27, 2015<br>(Revision 2.41)      | Update for order code for ZSC31150 SSC Evaluation Kit order code.<br>Update for contact information.  |
| January 29, 2016                      | Changed to IDT branding. The document release date is now the revision reference.   |
| December 6, 2016                      | Added ZSC31150GAB and ZSC31150GAC order codes.<br>Correction for order codes for kit and MCS.<br>Updates for formatting and minor edits.  |



## Notice

1. Descriptions of circuits, software and other related information in this document are provided only to illustrate the operation of semiconductor products and application examples. You are fully responsible for the incorporation or any other use of the circuits, software, and information in the design of your product or system. Renesas Electronics disclaims any and all liability for any losses and damages incurred by you or third parties arising from the use of these circuits, software, or information.
  2. Renesas Electronics hereby expressly disclaims any warranties against and liability for infringement or any other claims involving patents, copyrights, or other intellectual property rights of third parties, by or arising from the use of Renesas Electronics products or technical information described in this document, including but not limited to, the product data, drawings, charts, programs, algorithms, and application examples.
  3. No license, express, implied or otherwise, is granted hereby under any patents, copyrights or other intellectual property rights of Renesas Electronics or others.
  4. You shall be responsible for determining what licenses are required from any third parties, and obtaining such licenses for the lawful import, export, manufacture, sales, utilization, distribution or other disposal of any products incorporating Renesas Electronics products, if required.
  5. You shall not alter, modify, copy, or reverse engineer any Renesas Electronics product, whether in whole or in part. Renesas Electronics disclaims any and all liability for any losses or damages incurred by you or third parties arising from such alteration, modification, copying or reverse engineering.
  6. Renesas Electronics products are classified according to the following two quality grades: "Standard" and "High Quality". The intended applications for each Renesas Electronics product depends on the product's quality grade, as indicated below.
    - "Standard": Computers; office equipment; communications equipment; test and measurement equipment; audio and visual equipment; home electronic appliances; machine tools; personal electronic equipment; industrial robots; etc.
    - "High Quality": Transportation equipment (automobiles, trains, ships, etc.); traffic control (traffic lights); large-scale communication equipment; key financial terminal systems; safety control equipment; etc.
- Unless expressly designated as a high reliability product or a product for harsh environments in a Renesas Electronics data sheet or other Renesas Electronics document, Renesas Electronics products are not intended or authorized for use in products or systems that may pose a direct threat to human life or bodily injury (artificial life support devices or systems; surgical implantations; etc.), or may cause serious property damage (space system; undersea repeaters; nuclear power control systems; aircraft control systems; key plant systems; military equipment; etc.). Renesas Electronics disclaims any and all liability for any damages or losses incurred by you or any third parties arising from the use of any Renesas Electronics product that is inconsistent with any Renesas Electronics data sheet, user's manual or other Renesas Electronics document.
7. No semiconductor product is absolutely secure. Notwithstanding any security measures or features that may be implemented in Renesas Electronics hardware or software products, Renesas Electronics shall have absolutely no liability arising out of any vulnerability or security breach, including but not limited to any unauthorized access to or use of a Renesas Electronics product or a system that uses a Renesas Electronics product. RENESAS ELECTRONICS DOES NOT WARRANT OR GUARANTEE THAT RENESAS ELECTRONICS PRODUCTS, OR ANY SYSTEMS CREATED USING RENESAS ELECTRONICS PRODUCTS WILL BE INVULNERABLE OR FREE FROM CORRUPTION, ATTACK, VIRUSES, INTERFERENCE, HACKING, DATA LOSS OR THEFT, OR OTHER SECURITY INTRUSION ("Vulnerability Issues"). RENESAS ELECTRONICS DISCLAIMS ANY AND ALL RESPONSIBILITY OR LIABILITY ARISING FROM OR RELATED TO ANY VULNERABILITY ISSUES. FURTHERMORE, TO THE EXTENT PERMITTED BY APPLICABLE LAW, RENESAS ELECTRONICS DISCLAIMS ANY AND ALL WARRANTIES, EXPRESS OR IMPLIED, WITH RESPECT TO THIS DOCUMENT AND ANY RELATED OR ACCOMPANYING SOFTWARE OR HARDWARE, INCLUDING BUT NOT LIMITED TO THE IMPLIED WARRANTIES OF MERCHANTABILITY, OR FITNESS FOR A PARTICULAR PURPOSE.
  8. When using Renesas Electronics products, refer to the latest product information (data sheets, user's manuals, application notes, "General Notes for Handling and Using Semiconductor Devices" in the reliability handbook, etc.), and ensure that usage conditions are within the ranges specified by Renesas Electronics with respect to maximum ratings, operating power supply voltage range, heat dissipation characteristics, installation, etc. Renesas Electronics disclaims any and all liability for any malfunctions, failure or accident arising out of the use of Renesas Electronics products outside of such specified ranges.
  9. Although Renesas Electronics endeavors to improve the quality and reliability of Renesas Electronics products, semiconductor products have specific characteristics, such as the occurrence of failure at a certain rate and malfunctions under certain use conditions. Unless designated as a high reliability product or a product for harsh environments in a Renesas Electronics data sheet or other Renesas Electronics document, Renesas Electronics products are not subject to radiation resistance design. You are responsible for implementing safety measures to guard against the possibility of bodily injury, injury or damage caused by fire, and/or danger to the public in the event of a failure or malfunction of Renesas Electronics products, such as safety design for hardware and software, including but not limited to redundancy, fire control and malfunction prevention, appropriate treatment for aging degradation or any other appropriate measures. Because the evaluation of microcomputer software alone is very difficult and impractical, you are responsible for evaluating the safety of the final products or systems manufactured by you.
  10. Please contact a Renesas Electronics sales office for details as to environmental matters such as the environmental compatibility of each Renesas Electronics product. You are responsible for carefully and sufficiently investigating applicable laws and regulations that regulate the inclusion or use of controlled substances, including without limitation, the EU RoHS Directive, and using Renesas Electronics products in compliance with all these applicable laws and regulations. Renesas Electronics disclaims any and all liability for damages or losses occurring as a result of your noncompliance with applicable laws and regulations.
  11. Renesas Electronics products and technologies shall not be used for or incorporated into any products or systems whose manufacture, use, or sale is prohibited under any applicable domestic or foreign laws or regulations. You shall comply with any applicable export control laws and regulations promulgated and administered by the governments of any countries asserting jurisdiction over the parties or transactions.
  12. It is the responsibility of the buyer or distributor of Renesas Electronics products, or any other party who distributes, disposes of, or otherwise sells or transfers the product to a third party, to notify such third party in advance of the contents and conditions set forth in this document.
  13. This document shall not be reprinted, reproduced or duplicated in any form, in whole or in part, without prior written consent of Renesas Electronics.
  14. Please contact a Renesas Electronics sales office if you have any questions regarding the information contained in this document or Renesas Electronics products.

(Note1) "Renesas Electronics" as used in this document means Renesas Electronics Corporation and also includes its directly or indirectly controlled subsidiaries.

(Note2) "Renesas Electronics product(s)" means any product developed or manufactured by or for Renesas Electronics.

(Disclaimer Rev.5.0-1 October 2020)

## Corporate Headquarters

TOYOSU FORESIA, 3-2-24 Toyosu,  
Koto-ku, Tokyo 135-0061, Japan  
[www.renesas.com](http://www.renesas.com)

## Trademarks

Renesas and the Renesas logo are trademarks of Renesas Electronics Corporation. All trademarks and registered trademarks are the property of their respective owners.

## Contact Information

For further information on a product, technology, the most up-to-date version of a document, or your nearest sales office, please visit:  
[www.renesas.com/contact/](http://www.renesas.com/contact/)