

# RAA271000

General-Purpose Power Management IC for Automotive Applications

The [RAA271000](#) is a general-purpose Power Management Integrated Circuit (PMIC) suitable for the Renesas R-Car SoC series.

RAA271000 contains five high efficiency DC/DC synchronous buck regulators and two low-dropout linear regulators (LDO).

RAA271000 can support ASIL D system safety goals. It includes independent reference for monitoring of the output voltages, dual internal temperature monitors, challenge-response watchdog timer, SoC error pin monitors, reset generator, a dedicated safety-control state machine, and a safety shutdown path. An integrated 12-bit ADC monitors all input rails, output rails, internal temperature, and includes additional inputs to monitor external analog sources.

RAA271000 is available in a 5.71×8.46, 0.8mm pitch, FCCSP package. The device is offered as AEC-Q100 Grade 1 operation supporting an ambient temperature range of -40°C to 125°C.

## Applications

- Automotive vision systems
- Automotive LIDAR systems
- Ideal power supply for the Renesas V3H SoC

## Features

- Input range: 2.7V to 5.5V
- Five switching regulators with adjustable output
- $V_{OUT}$  from 0.3V ~ 3.3V at:
  - 15A (Buck 1)
  - 2A (Buck 2-3)
  - 4A (Buck 4-5)
- Two linear regulators
  - Output 0.6V to 3.6V at 300mA (LDO1-2)
- 12-bit analog-to-digital converter for monitoring
- Configurable through I<sup>2</sup>C or SPI interface
- Programmable power sequence
- Supports R-Car SoC sequence of activation
- Challenge-response watchdog timer
- Dual thermal protection system
- 60 ball FCCSP package, 0.8mm pitch
- ASIL-D ISO26262 Development Process
- [AEC-Q100](#) qualified (grade 1)

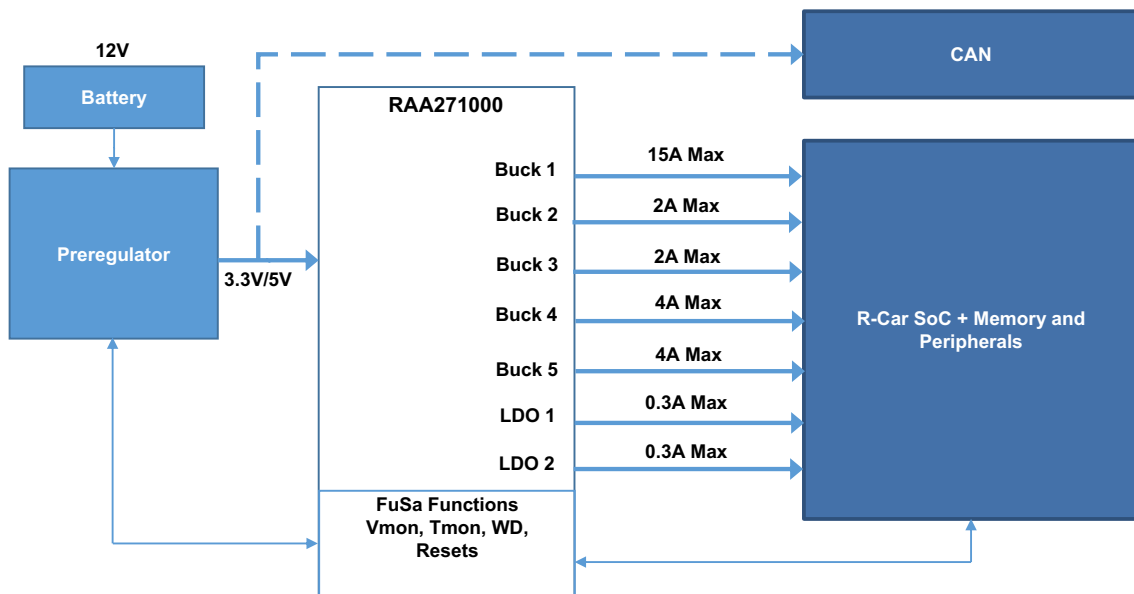


Figure 1. Typical Application Block Diagram

## Contents

<b>1. Overview</b>	<b>3</b>
1.1 Typical Application Diagram	3
1.2 Block Diagram	4
<b>2. Pin Information</b>	<b>5</b>
2.1 Pin Assignments	5
2.2 Pin Descriptions	5
<b>3. Specifications</b>	<b>10</b>
3.1 Absolute Maximum Ratings	10
3.2 ESD Ratings	10
3.3 Thermal Information	10
3.4 Recommended Operating Conditions	11
3.5 Electrical Specifications	11
<b>4. Typical Performance Curves</b>	<b>15</b>
<b>5. Function Descriptions</b>	<b>16</b>
5.1 Power Sequencing	16
5.2 Functional Safety	17
<b>6. Serial Communication Interface</b>	<b>18</b>
6.1 SPI Serial Interface	19
6.2 I <sup>2</sup> C Interface	22
6.3 Communication Cyclic Redundancy Check (CRC)	25
<b>7. Power Management Features</b>	<b>27</b>
7.1 Buck Regulators (Buck 1-5)	27
7.2 LDO regulators (LDO 1-2)	30
7.3 Digital Features	31
<b>8. Protection Features</b>	<b>34</b>
8.1 Monitoring ADC	34
8.2 Overvoltage (OV) and Undervoltage (UV) Monitoring	37
8.3 Over-Temperature Warning and Shutdown	37
8.4 Watchdog Timer (WDT)	38
8.5 Protection Interrupt Pin (INTb)	39
8.6 Monitoring Configuration Lock Bit	40
8.7 Debug Mode and Fault Lockout Fuse	40
<b>9. Register Maps</b>	<b>41</b>
9.1 Regulation Register Map	41
9.2 Protection Register Map	65
<b>10. Layout Guidelines</b>	<b>87</b>
10.1 Buck-1 Components Placement and PCB Routing	89
10.2 Buck-2, Buck-3, Buck-4, and Buck-5 Component Placement and PCB Routing	92
10.3 All Other Components Placement and PCB Routing	94
10.4 Other Recommendations	95
10.5 RAA271000 PCB Layout Example 1 (Top view) - Through Hole via	96
10.6 RAA271000 PCB Layout Example 2 (Top view) - Stagger Via	98
<b>11. Package Outline Drawing</b>	<b>103</b>
<b>12. Ordering Information</b>	<b>103</b>
<b>13. Revision History</b>	<b>104</b>

# 1. Overview

## 1.1 Typical Application Diagram

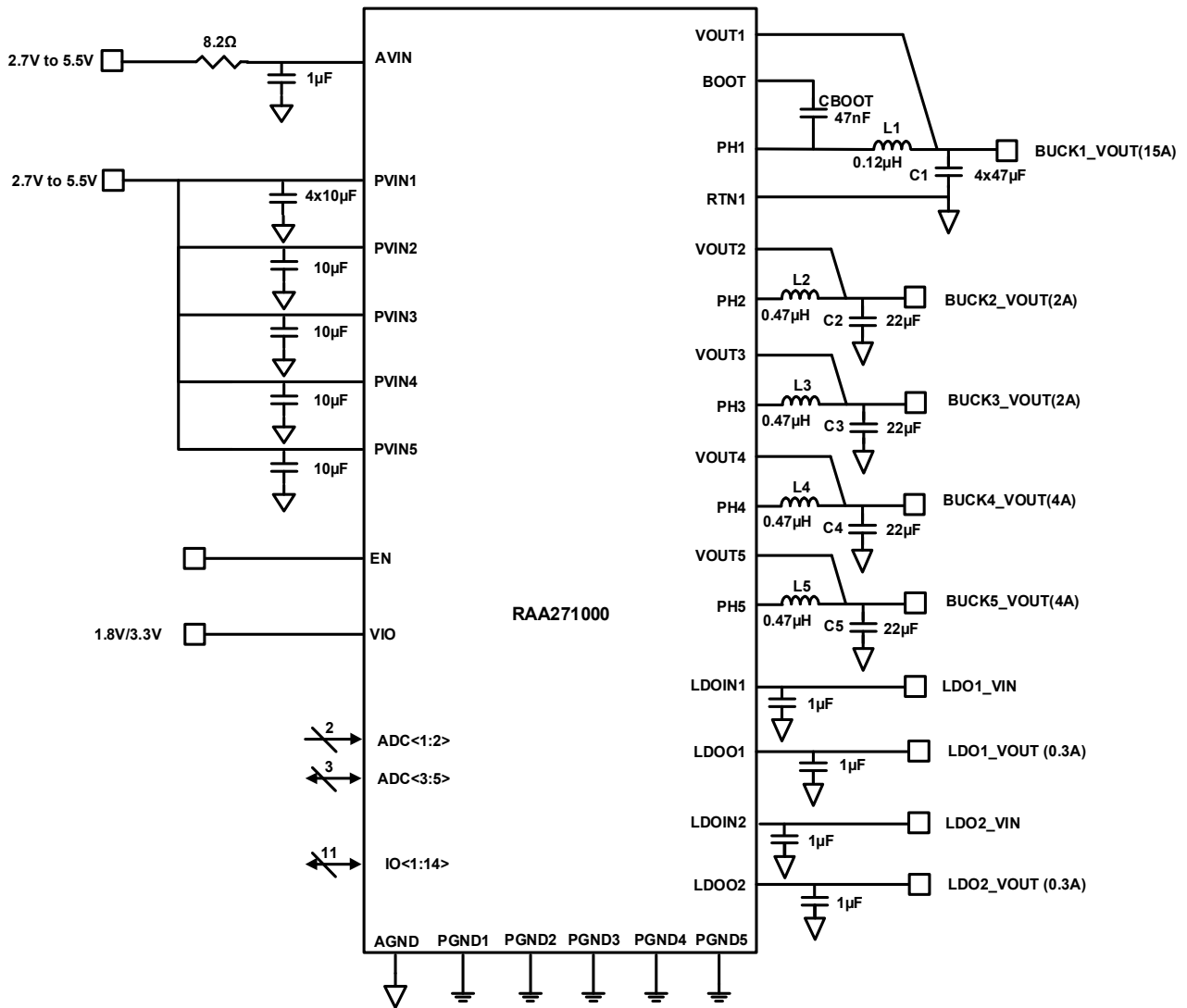


Figure 2. Typical Application Diagram

## 1.2 Block Diagram

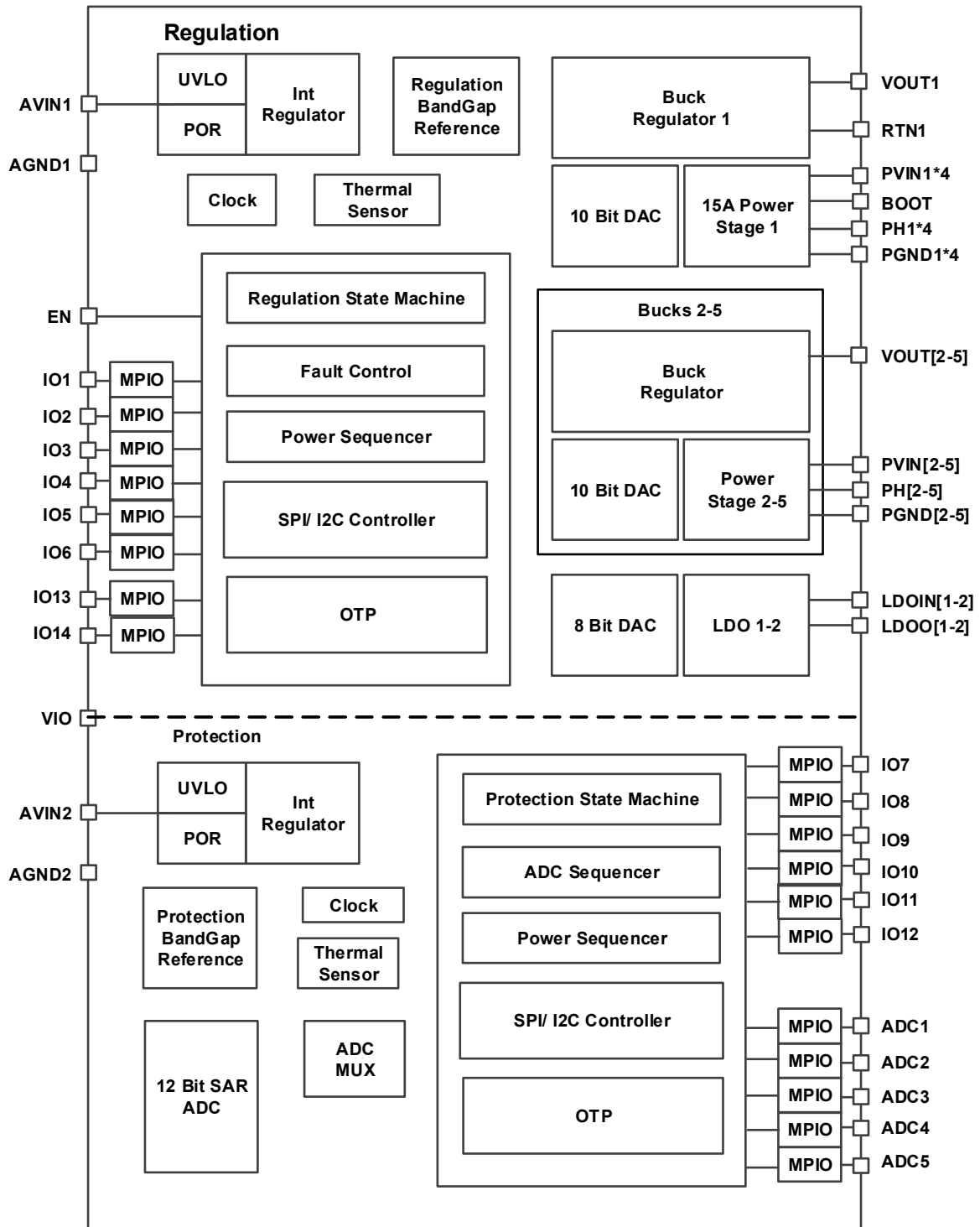
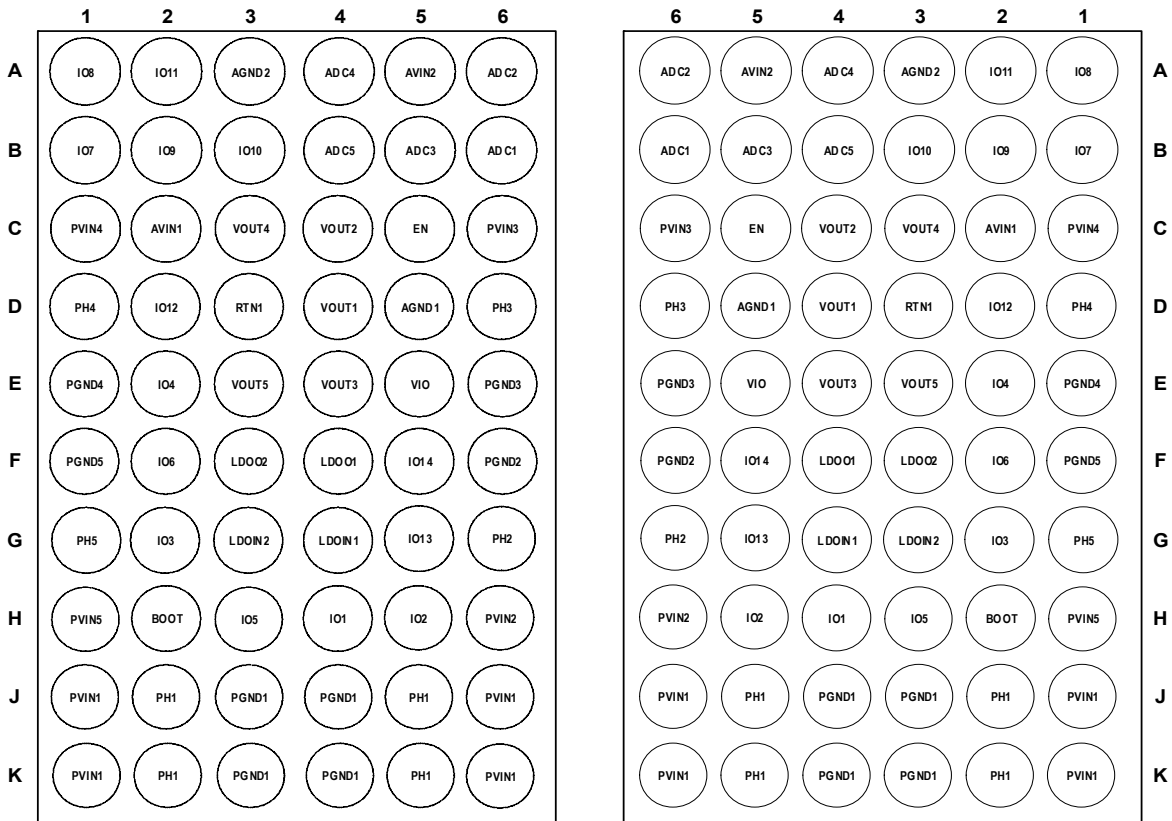


Figure 3. Simplified Block Diagram

## 2. Pin Information

### 2.1 Pin Assignments



Device pin out with balls down (left) and balls up (right)

### 2.2 Pin Descriptions

Pin Number	Pin Name	Type	Description
A1	IO8/PRESET#	Output	Protection state dependent output. Generally starts or resets an SoC.
A2	IO11/PRESET_OUT	Input	Protection interrupt input. Generally checks the status of an SoC.
A3	AGND2	Input	Analog ground 2. Internally connected to AGND1.
A4	ADC4	Input/Output	ADC input or ADC decoder output
A5	AVIN2	Input	Analog supply voltage 2, 2.7V ~ 5.5V. Connect this pin to AVIN1 on the PCB.
A6	ADC2	Input	External ADC input
B1	IO7/FSCCLKST#	Input	Protection interrupt input. Generally checks the status of an SoC.
B2	IO9/SDO1	Output	Protection state dependent output 1
B3	IO10/SSP	Output	Protection state dependent output
B4	ADC5	Input/Output	ADC input or ADC decoder output
B5	ADC3	Input/Output	ADC input or ADC decoder output
B6	ADC1	Input	External ADC input
C1	PVIN4	Input	Power supply for Buck 4 power stage

Pin Number	Pin Name	Type	Description
C2	AVIN1	Input	Analog supply voltage 1, 2.7V ~ 5.5V. Connect this pin to AVIN2 on the PCB.
C3	VOUT4	Input	Remote sense of the output voltage of Buck 4
C4	VOUT2	Input	Remote sense of the output voltage of Buck 2
C5	EN	Input	Chip enable
C6	PVIN3	Input	Power supply for Buck 3 power stage
D1	PH4	Output	Switching node for Buck 4 power stage
D2	IO12/SDO2	Output	Protection state dependent output 2
D3	RTN1	Input	Remote ground sense at the load for Buck 1
D4	VOUT1	Input	Remote sense of the output voltage for Buck 1
D5	AGND1	Input	Analog ground 1. Internally connected to AGND2
D6	PH3	Output	Switching node for Buck 3 power stage
E1	PGND4	Input	Ground connection for Buck 4 power stage
E2	IO4	Input/Output	Multi-purpose I/O. The function of this pin depends on the pin mode selected ( <a href="#">Table 1</a> ).
E3	VOUT5	Input	Remote sense of the output voltage of Buck 5
E4	VOUT3	Input	Remote sense of the output voltage of Buck 3
E5	VIO	Input	I/O voltage
E6	PGND3	Input	Ground connection for Buck 3 power stage
F1	PGND5	Input	Ground connection for Buck 5 power stage
F2	IO6	Input/Output	Multi-purpose I/O. The function of this pin depends on the pin mode selected ( <a href="#">Table 1</a> ).
F3	LDOO2	Output	LDO 2 power output
F4	LDOO1	Output	LDO 1 power output
F5	IO14/FLT#	Output	Fault indication output signal
F6	PGND2	Input	Ground connection for Buck 2 power stage
G1	PH5	Output	Switching node for Buck 5 power stage
G2	IO3	Input/Output	Multi-purpose I/O. The function of this pin depends on the pin mode selected ( <a href="#">Table 1</a> ).
G3	LDOIN2	Input	LDO 2 power input
G4	LDOIN1	Input	LDO 1 power input
G5	IO13	Input/Output	Multi-purpose I/O. The function of this pin depends on the pin mode selected ( <a href="#">Table 1</a> ).
G6	PH2	Output	Switching node for Buck 2 power stage
H1	PVIN5	Input	Power supply for Buck 5 power stage
H2	BOOT	Input	Supply for boosted gate drive for Buck 1
H3	IO5	Input/Output	Multi-purpose I/O. The function of this pin depends on the pin mode selected ( <a href="#">Table 1</a> ).
H4	IO1	Input/Output	Multi-purpose I/O. The function of this pin depends on the pin mode selected ( <a href="#">Table 1</a> ).

Pin Number	Pin Name	Type	Description
H5	IO2	Input/Output	Multi-purpose I/O. The function of this pin depends on the pin mode selected ( <a href="#">Table 1</a> ).
H6	PVIN2	Input	Power supply for Buck 2 power stage
J1	PVIN1_A	Input	Power supply for Buck 1 power stage
J2	PH1_A	Output	Switching node for Buck 1 power stage
J3	PGND1_A	Input	Ground connection for Buck 1 power stage
J4	PGND1_C	Input	Ground connection for Buck 1 power stage
J5	PH1_C	Output	Switching node for Buck 1 power stage
J6	PVIN1_C	Input	Power supply for Buck 1 power stage
K1	PVIN1_B	Input	Power supply for Buck 1 power stage
K2	PH1_B	Output	Switching node for Buck 1 power stage
K3	PGND1_B	Input	Ground connection for Buck 1 power stage
K4	PGND1_D	Input	Ground connection for Buck 1 power stage
K5	PH1_D	Output	Switching node for Buck 1 power stage
K6	PVIN1_D	Input	Power supply for Buck 1 power stage

## 2.2.1 I/O Pin Configurations

RAA271000 supports a number of different pin configurations to address different application requirements. The pin mode value is factory programmed.

Table 1. I/O Pin Configurations

Pin Mode	IO1	IO2	IO3	IO4	IO5	IO6	IO7	IO8	IO9	IO10	IO11	IO12	IO13	IO14
0 <sup>[1]</sup>	SSP2	SS_B2	SCK	SS_B	MOSI	MISO	FSCLKST#	PRESET#	SDO1	SSP	PRESET OUT	SDO2	GPIO1	INTb
1 <sup>[2]</sup>	SCL	SDA	DVFS	FSO_CFE_0	FSO_CFE_1	FSO_TOE	FSCLKST#	PRESET#	SDO1	SSP	PRESET OUT	SDO2	GPIO1	INTb
2 <sup>[3]</sup>	SCL	SDA	GPIO1	GPIO2	GPIO3	GPIO4	FSCLKST#	PRESET#	SDO1	SSP	PRESET OUT	SDO2	GPIO5	INTb
3 <sup>[4]</sup>	SCL	SDA	DVFS	GPIO1	INT_REGU	GPIO2	FSCLKST#	PRESET#	SDO1	SSP	PRESET OUT	SDO2	GPIO3	INTb
4 <sup>[5]</sup>	INT_REGU	SS_B2	SCK	SS_B	MOSI	MISO	FSCLKST#	PRESET#	SDO1	SSP	PRESET OUT	SDO2	GPIO1	INTb
5 <sup>[6]</sup>	SCL	SDA	SCK	SS_B	MOSI	MISO	FSCLKST#	PRESET#	SS_B2	SSP	PRESET OUT	SDO2	GPIO1	INTb
6 <sup>[7]</sup>														
7 <sup>[7]</sup>														

1. Application 1: SPI, no FSO pins
2. Application 2: I<sup>2</sup>C, FSO pins, DVFS
3. Application 3: I<sup>2</sup>C with 4 GPIOs
4. Application 4: I<sup>2</sup>C, no FSO pins, DVFS, SSPT, interrupt
5. Application 5: SPI, no FSO pins, DVFS, interrupt
6. Application 6: I<sup>2</sup>C and SPI, no FSO pins
7. Not used



## 2.2.2 I/O Pin Descriptions

Table 2. I/O Descriptions

I/O Name	Type	Description
DVFS	Input	Buck1 Dynamic Voltage Scaling selection pin. This pin selects between 2 voltage levels set for Buck1.
FSCLKST#	Input	SoC error notification signal. FSCLKST is asserted when a fault is detected in the R-Car SoC.
FSO_CFE_0	Input	SoC failure self-detection output pin. This pin is configured using software to react to certain faults in the R-Car SoC. The function of this pin is similar to FSCLKST#.
FSO_CFE_1	Input	SoC failure self-detection output pin. This pin is configured using software to react to certain faults in the R-Car SoC. The function of this pin is similar to FSCLKST#.
FSO_TOE	Input	SoC error notification signal. FSO_TOE is asserted when a time-out condition occurs. The function of this pin is similar to FSCLKST#.
GPIO[1-6]	Input/Output	General purpose IO. If configured as an output, the state of this pin can be set by a register. If configured as an input, the value of this pin can be read by a register.
INTb	Output	Maskable interrupt signal indicating a fault in the protection side of the device
MISO	Output	SPI master input, slave output signal
MOSI	Input	SPI master output, slave input signal
PRESET#	Output	Reset signal sent to R-Car SoC. During startup, this pin is LO until LBIST and self checks pass, then transitions HI after a fixed (but adjustable) timer has expired. If there is any fault in the protection portion of RAA271000, this pin transitions LO to reset the SoC.
PRESETOUT	Input	Reset notification signal from R-Car SoC. This is expected to be the same state as PRESET# but with a delay in processing from the SoC.
INT_REGU	Output	Maskable interrupt signal indicating a fault in the regulation side of the device
SCK	Input	SPI clock signal
SCL	Input	I <sup>2</sup> C clock signal
SDA	Input/Output	I <sup>2</sup> C data signal
SDO1	Safety Defined Output	Output signal defined by the protection state machine. As an example, this can set the standby control signal for a CAN transceiver.
SDO2	Safety Defined Output	Output signal defined by the protection state machine. As an example, this can enable an external CAN transceiver.
SS_B	Input	SPI slave select signal for regulation digital
SS_B2	Input	SPI slave select signal for protection digital
SSP, SSP2	Safety Defined Output	Output signal defined by the protection state machine. As an example, these can control a secondary safety path in the system.

### 3. Specifications

#### 3.1 Absolute Maximum Ratings

**CAUTION:** Do not operate at or near the maximum ratings listed for extended periods of time. Exposure to such conditions can adversely impact product reliability and result in failures not covered by warranty.

Parameter	Minimum	Maximum	Unit
PVIN[1-5], AVIN[1-2], LDOIN[1-2] pins to PGND[1-5]	-0.3	6	V
VOUT[1-5] ( $V_{OUT\_PROG} \leq 1.8V$ )	-0.3	2.1	V
VOUT[1-5] ( $V_{OUT\_PROG} > 1.8V$ )	-0.3	$V_{OUT\_PROG} + 0.3V$	V
VIO, EN to AGND[1-2]	-0.3	AVIN + 0.3	V
PH[1-5] to PGND[1-5]	-0.3	PVIN + 0.3	V
ADC[1-5] to AGND	-0.3	AVIN2 + 0.3	V
GPIO[1-14] pins to AGND	-0.3	VIO + 0.3	V
RTN1, AGND[1-2] to PGND[1-5]	-0.3	0.3	V
LDOIN[1-2] to AVIN[1-2]	-0.3	0.3	V

#### 3.2 ESD Ratings

ESD Rating	Value	Unit
Human Body Model (Tested per JS-001-2017)	2	kV
Charged Device Model (Tested per JS-002-2018)	500	V
Charged Device Model Corner Pins (Tested per JS-002-2018)	750	V
Latch-Up (Tested per JESD78E; Class 2, Level A)	100	mA

#### 3.3 Thermal Information

Thermal Resistance (Typical)	$\theta_{JA}$ (°C/W) <sup>[1]</sup>	$\theta_{JC}$ (°C/W) <sup>[2]</sup>
60 Ball FCCSP Package	30.2	7.2

- $\theta_{JA}$  is measured in free air with the component mounted on a high-effective thermal conductivity test board with direct attach features. See [TB379](#).
- For  $\theta_{JC}$ , the case temperature location is taken at the package top center.

Parameter	Minimum	Maximum	Unit
Maximum Storage Temperature Range	-65	+150	°C
Pb-Free Reflow Profile	See <a href="#">TB493</a>		

### 3.4 Recommended Operating Conditions

Parameter	Minimum	Maximum	Unit
Supply Voltage (AVIN to GND)	2.7	5.5	V
Supply Voltage (PVIN to GND)	2.7	5.5	V
Ambient Temperature	-40	+125	°C
VIO Voltage (VIO to PGND)	1.7	5.5	V
Buck 1 Operating Current		15	A
Buck [2-3] Operating Current		2	A
Buck [4-5] Operating Current		4	A

### 3.5 Electrical Specifications

Unless otherwise noted, all external components are as shown in Figure 2 and PVIN = AVIN = 5V, T<sub>A</sub> = +25°C. **Boldface limits apply across the operating temperature range, -40°C to +125°C unless otherwise noted.**

Parameter	Symbol	Test Conditions	Min <sup>[1]</sup>	Typ	Max <sup>[1]</sup>	Unit
<b>Input Supply</b>						
Supply Voltage	AVIN		<b>2.7</b>		<b>5.5</b>	V
	PVIN		<b>2.7</b>		<b>5.5</b>	V
I/O Supply Voltage	VIO		<b>1.7</b>		<b>AVIN</b>	V
Operating Current at AVIN	I <sub>q</sub>	EN = 0V		1		μA
		I <sub>OUT</sub> = 0A, AV <sub>IN</sub> = 5V, Forced CCM Operation, 1 buck enabled		13		mA
UVLO Rising Threshold	V <sub>UVLOR</sub>	AVIN1, AVIN2, PVIN4 only	<b>2.7</b>		<b>2.9</b>	V
UVLO Falling Threshold	V <sub>UVLOF</sub>	AVIN1, AVIN2, PVIN4 only	<b>2.5</b>		<b>2.7</b>	V
UVLO Hysteresis	V <sub>UVLOhys</sub>			200		mV
AVIN1 OVP Rising Threshold	V <sub>OVPR</sub>		<b>5.7</b>	5.8	<b>5.96</b>	V
AVIN1 OVP Hysteresis	V <sub>OVPhys</sub>			200		mV
Power-On Self Test Time	T <sub>POST</sub>			6		ms
<b>Buck Regulators</b>						
<b>Regulation</b>						
DC Output Voltage Accuracy		V <sub>OUT</sub> > 0.8V	<b>-1.5</b>		<b>1.5</b>	%
		V <sub>OUT</sub> ≤ 0.8V	<b>-13</b>		<b>13</b>	mV
Pull-Down Resistance of Buck Output	R <sub>dis_B1</sub>	EN = 0, Buck 1		8		Ω
	R <sub>dis_B25</sub>	EN = 0, Buck 2, Buck 3, Buck 4, Buck 5		40		Ω
<b>Hysteretic Frequency</b>						
Hysteretic CCM Frequency Tolerance	f <sub>SW_H_TOL</sub>	Steady-state operation	<b>-20</b>		<b>20</b>	%
<b>Fixed Switching Frequency</b>						
Fixed Frequency Tolerance	f <sub>SW_F_TOL</sub>		<b>-10</b>		<b>10</b>	%

Unless otherwise noted, all external components are as shown in Figure 2 and  $P_{VIN} = A_{VIN} = 5V$ ,  $T_A = +25^\circ C$ . **Boldface limits apply across the operating temperature range,  $-40^\circ C$  to  $+125^\circ C$  unless otherwise noted. (Cont.)**

Parameter	Symbol	Test Conditions	Min <sup>[1]</sup>	Typ	Max <sup>[1]</sup>	Unit
<b>Linear Regulators</b>						
<b>LDO 1-2</b>						
Input Voltage Range for LDO	$V_{IN\_LDO}$		<b>1.8</b>	3.6	<b>5.5</b>	V
DC Output Voltage Accuracy		$V_{LDOOUT} = 2.5V$ to $3.6V$ , $V_{LDOOUT} < V_{LDOIN} - V_{DO}$ , $I_{OUT} = 0$ mA	<b>-1.5</b>		<b>1.5</b>	%
		$V_{LDOOUT} = 1.8V$ to $2.5V$ , $V_{LDOOUT} < V_{LDOIN} - V_{DO}$ , $I_{OUT} = 0$ mA	<b>-2</b>		<b>2</b>	%
		$V_{LDOOUT} = 0.6V$ to $1.8V$ , $V_{LDOOUT} < V_{LDOIN} - V_{DO}$ , $I_{OUT} = 0$ mA	<b>-36</b>		<b>36</b>	mV
Rated Output Current	$I_{OUTMAX}$	$V_{IN} > 3V$	300			mA
		$V_{IN} < 3V$	200			mA
Output Current Limit	$I_{OUT\_LIM}$		300	430	550	mA
Dropout Voltage	$V_{DO}$	$V_{LDOIN} = 3V$ , $V_{DO} = V_{LDOIN} - V_{LDOOUT}$ , $I_{OUT} = 200mA$			200	mV
DC Load Regulation		$I_{OUT}$ from 0 to $I_{OUTMAX}$		20		mV/A
DC Line Regulation		$V_{LDOIN} = V_{INmin}$ to $V_{INmax}$ , $I_{OUT} = 200mA$		2		mV/V
Power Supply Ripple Rejection	PSRR	$f = 10kHz$ , $I_{OUT} = I_{OUTMAX}/2$		40		dB
		$f = 2.2MHz$ , $I_{OUT} = I_{OUTMAX}/2$		10		dB
Pull-Down Resistance and the Output of the LDO	$R_{dis\_LDO}$	EN = 0		100		$\Omega$
<b>GPIO</b>						
<b>Chip Enable Logic Threshold Level</b>						
EN Pin Low Level Input Voltage Range	$V_{IL}$				0.5	V
EN Pin High Level Input Voltage Range	$V_{IH}$		1.35			V
<b>GPIO Logic Threshold Levels</b>						
Low Level Input Voltage Range	$V_{IL}$				<b>0.25*VIO</b>	V
High Level Input Voltage Range	$V_{IH}$		<b>0.75*VIO</b>			V
Input Hysteresis	$V_{HYS}$		<b>0.1*VIO</b>			V
Low Level Output	$V_{OL}$	1mA			<b>0.4</b>	V
High Level Output	$V_{OH}$	1mA	<b>VIO-0.4</b>			V
<b>Serial Interfaces</b>						
I <sup>2</sup> C Frequency Capability	$f_{I2C}$		<b>0.4</b>		<b>3.4</b>	MHz
SPI Frequency Capability	$f_{SPI}$				<b>26</b>	MHz

Unless otherwise noted, all external components are as shown in Figure 2 and  $P_{VIN} = A_{VIN} = 5V$ ,  $T_A = +25^\circ C$ . **Boldface limits apply across the operating temperature range,  $-40^\circ C$  to  $+125^\circ C$  unless otherwise noted. (Cont.)**

Parameter	Symbol	Test Conditions	Min <sup>[1]</sup>	Typ	Max <sup>[1]</sup>	Unit
<b>Protection</b>						
Buck 1 Positive Current Limit	$I_{PLIMIT1}$	$2.5V < V_{IN} < 5.5V$ , OC = 20A	<b>-20</b>		<b>20</b>	%
Buck 1 Negative Current Limit	$I_{NLIMIT1}$	$2.5V < V_{IN} < 5.5V$ , NOC = 9A	<b>-20</b>		<b>20</b>	%
Buck 2-3 Positive Current Limit	$I_{PLIMIT23}$	$2.5V < V_{IN} < 5.5V$ , OC = 3A	<b>-20</b>		<b>20</b>	%
Buck 2-3 Negative Current Limit	$I_{NLIMIT23}$	$2.5V < V_{IN} < 5.5V$ , NOC = 2A	<b>-20</b>		<b>20</b>	%
Buck 4-5 Positive Current Limit	$I_{PLIMIT45}$	$2.5V < V_{IN} < 5.5V$ , OC = 6A	<b>-20</b>		<b>20</b>	%
Buck 4-5 Negative Current Limit	$I_{NLIMIT45}$	$2.5V < V_{IN} < 5.5V$ , NOC = 3A	<b>-20</b>		<b>20</b>	%
Buck Output UVP Threshold Accuracy	$V_{UVP}$	BUCKx_VOUTFBDIV[1:0] = 0b00 programmable thresholds: $\pm 100mV$ , $\pm 150mV$ , $\pm 200mV$ , $\pm 250mV$	<b>-35</b>		<b>35</b>	mV
Buck Output OVP Threshold Accuracy	$V_{OVP}$	BUCKx_VOUTFBDIV[1:0] = 0b00 programmable thresholds: $\pm 100mV$ , $\pm 150mV$ , $\pm 200mV$ , $\pm 250mV$	<b>-35</b>		<b>35</b>	mV
Over-Temperature Rising Threshold	$OT_R$	Over-temperature threshold programmable from $135^\circ C$ to $170^\circ C$ in $5^\circ C$ increments		150		$^\circ C$
Over-Temperature Falling Threshold	$OT_F$	Over-temperature threshold programmable from $90^\circ C$ to $125^\circ C$ in $5^\circ C$ increments		90		$^\circ C$
<b>Analog-to-Digital Converter</b>						
Resolution				12		Bits
Reference Voltage				1.222		V
Reference Error					12	mV
Sample Period		Internal measurements		40		$\mu s$
		External measurements without external MUX		100		$\mu s$
		External measurements with external MUX		320		$\mu s$
<b>Monitoring Accuracy</b>						
Temperature Accuracy		PGA Gain = 8.0, IIR = 1/16		4		$^\circ C$
Accuracy 0.6V		PGA Gain = 1.4, IIR = 1/16		1.5		%
Accuracy 0.82V		PGA Gain = 1.4, IIR = 1/16		1.5		%
Accuracy 1.1V		PGA Gain = 0.5, IIR = 1/16		1.5		%
Accuracy 1.2V		PGA Gain = 0.5, IIR = 1/16		1.5		%
Accuracy 1.8V		PGA Gain = 0.333, IIR = 1/16		1.5		%
Accuracy 2.5V		PGA Gain = 0.333, IIR = 1/16		1.5		%
Accuracy 3.3V		PGA Gain = 0.125, IIR = 1/16		1.5		%
Accuracy 4.0V		PGA Gain = 0.125, IIR = 1/16		1.5		%
Accuracy 5.0V		PGA Gain = 0.125, IIR = 1/16		1.5		%

1. Parameters with MIN and/or MAX limits are 100% tested at +25°C, unless otherwise specified. Temperature limits established by characterization and are not production tested.

## 4. Typical Performance Curves

Unless otherwise specified, the operating condition is:  $V_{IN} = 5V$ ,  $T_A = 25^\circ C$ .

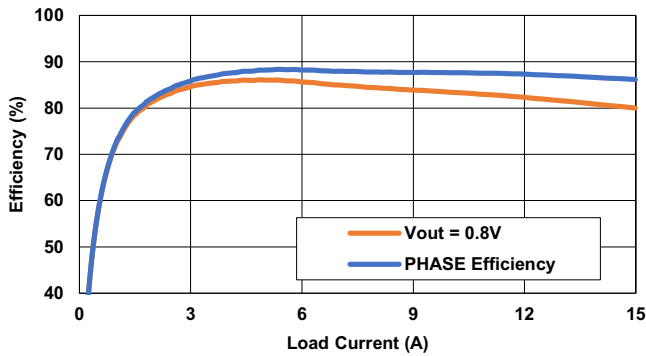


Figure 4. Efficiency of Buck1 at  $V_{IN} = 5V$

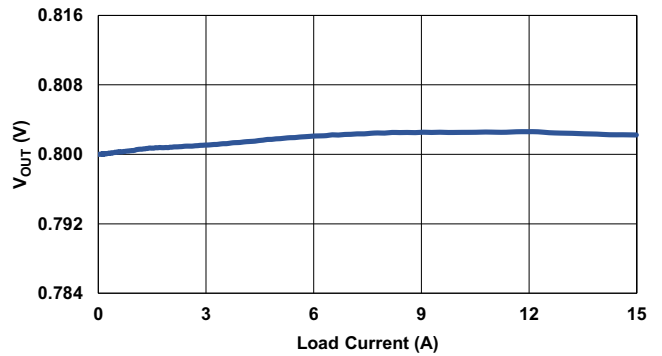


Figure 5. Load Regulation of Buck1 at  $V_{IN} = 5V$

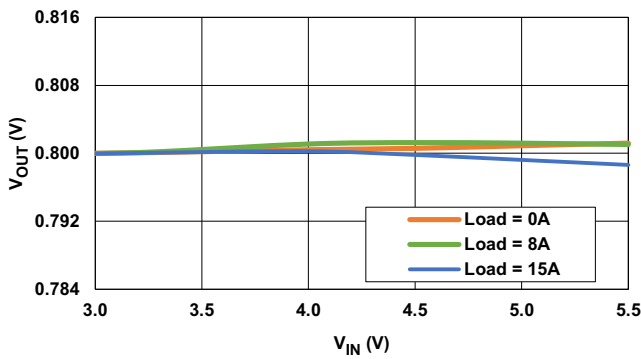


Figure 6. Line Regulation of Buck1

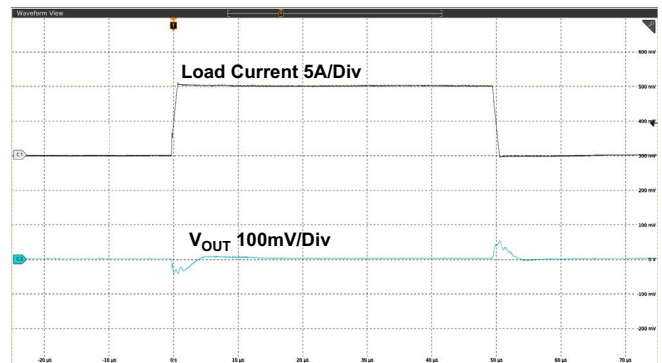


Figure 7. Load Transient of Buck1 at  $V_{IN} = 5V$   
 $V_{OUT} = 0.8V$ ,  $C_{OUT} = 4x47\mu F$ ,  $L = 0.12\mu H$   
 Load Current Stepping from 1A - 11A

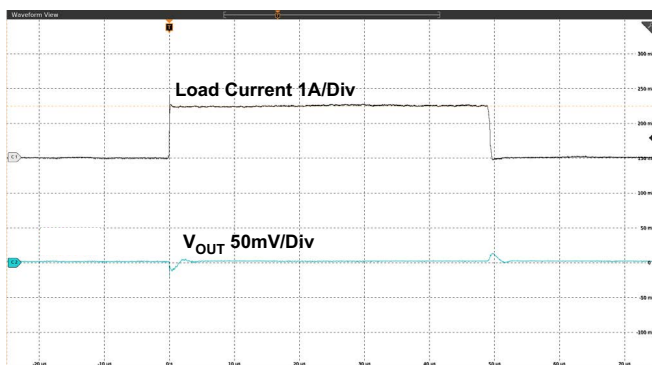


Figure 8. Load Transient of Buck2 at  $V_{IN} = 5V$   
 $V_{OUT} = 1.1V$ ,  $C_{OUT} = 1x22\mu F$ ,  $L = 0.47\mu H$   
 Load Current Stepping from 0.5A - 2A

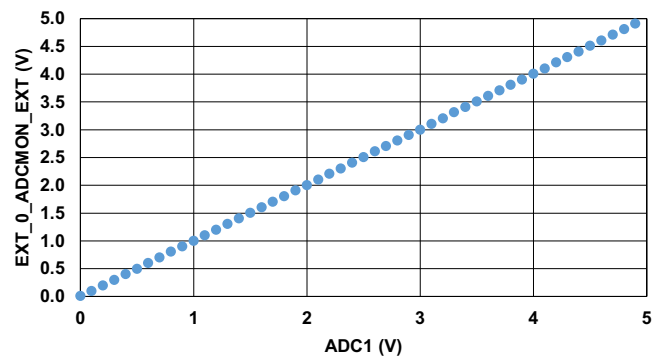


Figure 9. ADC Monitoring Ramp Test

## 5. Function Descriptions

### 5.1 Power Sequencing

Both the startup and shutdown sequencing of RAA271000 are user programmable.

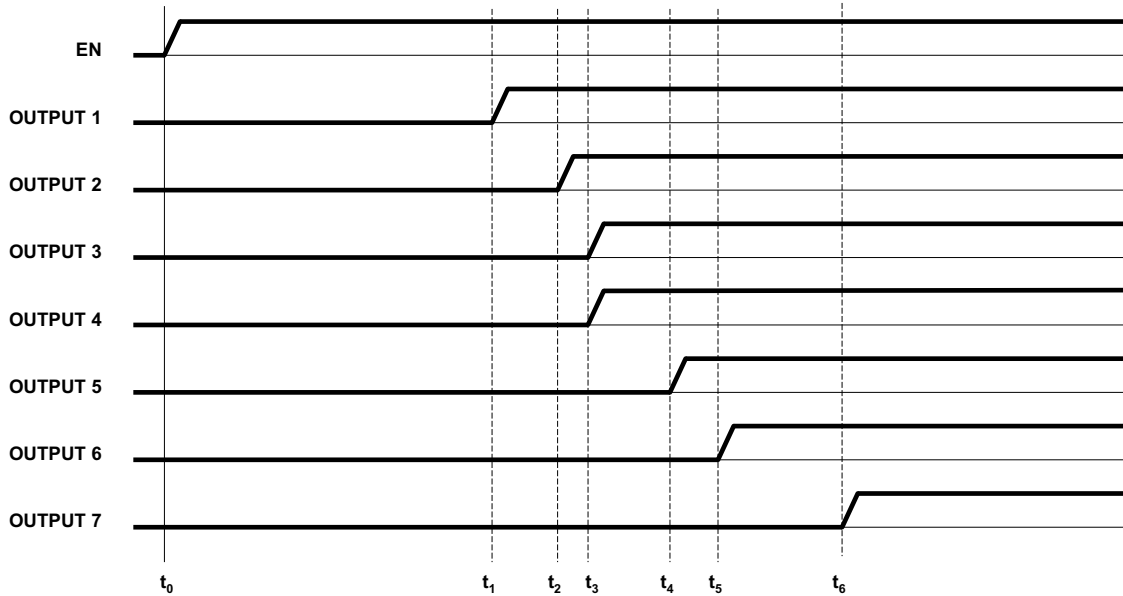


Figure 10. Startup Sequencing Example

For each output of RAA271000 (Buck 1-5 and LDO 1-2), the startup delay can be programmed from a value of 0ms to 67ms in 1.07ms steps. This sequence can be set in registers \*\_EN\_DLY, where \* is one of BUCK1, BUCK2, BUCK3, BUCK4, BUCK5, LDO1, or LDO2. In the example startup sequence shown in [Figure 10](#), OUTPUT1 has a 0ms delay from EN, and the other outputs have an integer delay between 1.07ms and 67ms.

**Note:** In this example, OUTPUT3 and OUTPUT4 have the same delay value. For a value of 0 for \*\_EN\_DLY, there is a fixed wait time while the chip starts up and completes LBIST. This additional delay time is 6ms (typical).

While the EN\_DLY value specifies when an output begins to startup, each output also starts up with a factory programmed ramp rate, which is specified in [Buck Regulator Startup Ramp Rate](#) and [LDO Startup Ramp Rate](#).

An example of shutdown sequencing is shown in [Figure 11](#).



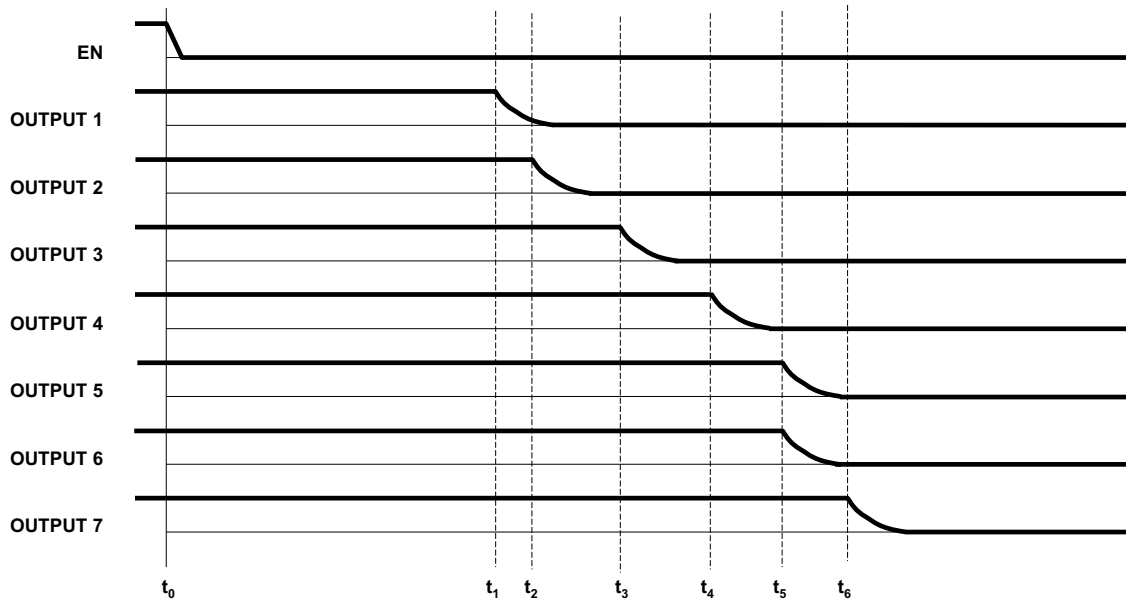


Figure 11. Shutdown Sequencing Example

Similar to the startup sequencing setting, each output can delay shutdown by between 0 to 67ms, which is specified in register `*_SHUTDOWN_DLY`. In Figure 11, the value of  $t_1 - t_0$  can be 0ms. During shutdown, the sequencer gives the command to shut down a specific channel, which causes that output to go high impedance (both switches Hi-Z for buck regulators and the LDO output PMOS Hi-Z for LDO regulators) and pull down through a resistance. For buck regulators, this pull-down resistance is 8Ω for Buck 1 and 40Ω for Buck 2-5 (typical), and for the LDOs, the pull-down resistance is 100Ω (typical).

## 5.2 Functional Safety

Functional safety for RAA271000 is described fully in the Safety Application Note.

## 6. Serial Communication Interface

The RAA271000 has two serial interface protocols to read/write the registers.

- SPI
  - Regulation digital accessed with slave pin SS\_B
  - Protection digital accessed with slave pin SS\_B2
- I<sup>2</sup>C
  - Regulation digital accessed by read/write to regulation slave
  - Protection digital accessed by read/write to protection slave

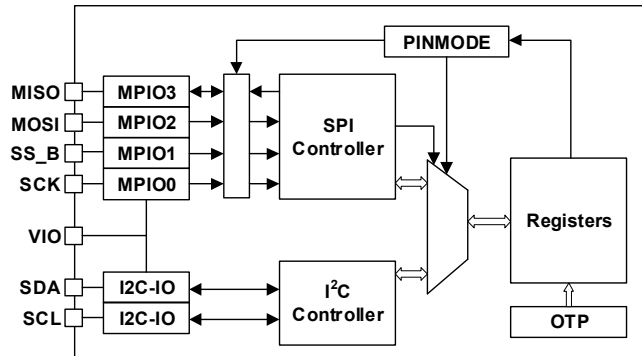


Figure 12. SPI and I<sup>2</sup>C Interface Block Diagram

The arbitration of the register access bus between SPI and I<sup>2</sup>C is determined by the pad MPIO1 when using IO\_PINMODE = 0x5, as shown in Table 3:

Table 3. SPI/I<sup>2</sup>C Register Access

Register IO_PINMODE	Pad MPIO_1 (SS_B)	Register Access
5	0	SPI (Read/Write Access <sup>[1]</sup> )
	1	I <sup>2</sup> C <sup>[2]</sup>

1. When the device is configured for SPI access, the I<sup>2</sup>C should not be addressed with the device ID.
2. When the device is configured for I<sup>2</sup>C access, in PINMODE 5, the SS\_B line must be held high.

After switching from SPI to I<sup>2</sup>C or from I<sup>2</sup>C to SPI, there is a minimum of 50ns wait time is required before starting a transaction.

For the communication interfaces, the following parameters are factory programmable:

Table 4. Communication Interface Fuse Programmable Options

Design Parameter	Description	Recommended Value
IO_I2CADDR_PROT	Protection I <sup>2</sup> C Slave	0x1D
IO_I2CADDR_REGU	Regulation I <sup>2</sup> C Slave	0x1E
IO_SPIMODE	SPI Packet Length Mode	1
IO_SPICPOL	SPI Clock Polarity	0
IO_SPICPHA	SPI Clock Phase	0

## 6.1 SPI Serial Interface

The SPI interface is a general specification 4-wire slave interface capable of operating at a clock speed of up to 26MHz. It is based on byte transfers.

### 6.1.1 SPI Data Protocol

Both Read and Write SPI transactions begin when SS\_B goes low and end when SS\_B goes high.

#### 6.1.1.1 Write Operation

To write to the RAA271000, the master (controller) must drive SS\_B low, send the Control Byte, the register address, and the packet length (if IO\_SPIMODE = 1), and finally as the data bytes are written, SS\_B high is driven high to terminate the transaction (see Figure 13). The MSB of the Control byte is the R/W bit that must be set to write operation. Bit [1] and bit [0] of the Control byte indicate the page number of the register location that must be written (MSBs of the register address). The register address byte is the 8-bit address of the register within the page specified by Page[1:0] bits. If IO\_SPIMODE = 1, the register address must be followed by an 8-bit packet length, which indicates the number of bytes to be written. Following the packet length field, the master must send the data bytes. When all eight bits of data are received, they are written to the specified register address.

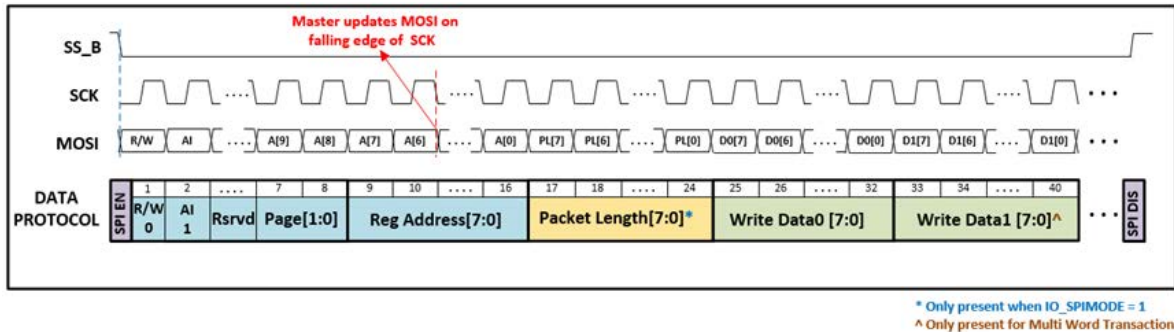


Figure 13. SPI Write Transaction with IO\_SPIMODE = 1; IO\_SPICPOL = 0; IO\_SPICPHA = 0

In single byte transactions (AI = 0 or Packet length = 1), the RAA271000 goes into a wait state and waits for SS\_B to go high.

#### 6.1.1.2 Read Operation

To read from the RAA271000, the master (controller) needs to drive SS\_B low and then send the Control Byte, followed by register address, packet length (if IO\_SPIMODE = 1). Next, the RAA271000 sends the data bytes from the requested registers and finally the master drives SS\_B high to terminate the transaction. The MSB of the Control byte is the R/W bit that needs to be set to the read operation (see Table 5). Bits [1] and [0] of the Control byte indicate the page number of the register location be read (MSBs of the register address). The register address byte is the 8-bit address of the register within the page specified by Page[1:0] bits. If IO\_SPIMODE = 1, the register address needs to be followed by an 8-bit packet length, which indicates the number of bytes to be written. Following the packet length field, the RAA271000 sends the data from the requested register.

In a single-byte transaction, (AI = 0 or Packet length = 1), the RAA271000 goes into a wait state and waits for SS\_B to go high.

**Note:** The MISO pin is pulled low while SS\_B is high.

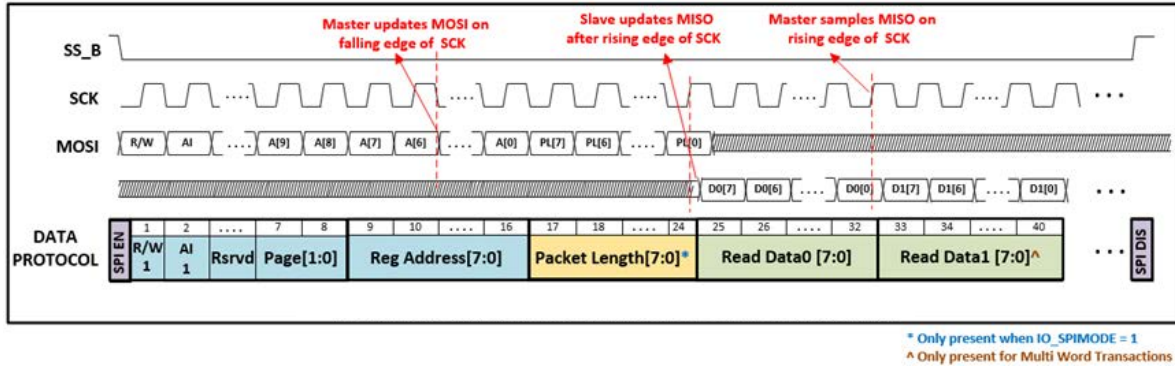


Figure 14. SPI Read Transaction with IO\_SPIMODE = 1; IO\_SPICPOL = 0; IO\_SPICPHA = 0

R/W	Read/Write Bit Indicating Read or Write Operation
Page	2-bit page address of the register to be written/read
Address	8-bit register address of the register to be written/read
Packet Length	8-bit packet length indicating number of data bytes to be transferred. Overrides AI when IO_SPIMODE = 1
Read Data	Data in the register at address, Address [7:0] + n
Write Data	Data to be written to the register at address, Address [7:0] + n

### 6.1.2 SPI Configuration

The following register bits configure the SPI operation:

- **IO\_SPICPOL:** SPI clock polarity, RAA271000 is configured as active high, IO\_SPICPOL = 0.
- **IO\_SPICPHA:** SPI clock phase, RAA271000 samples data on rising edge of SPI clock, IO\_SPICPHA = 0.

The four possible modes of clocking are shown in [Figure 15](#).

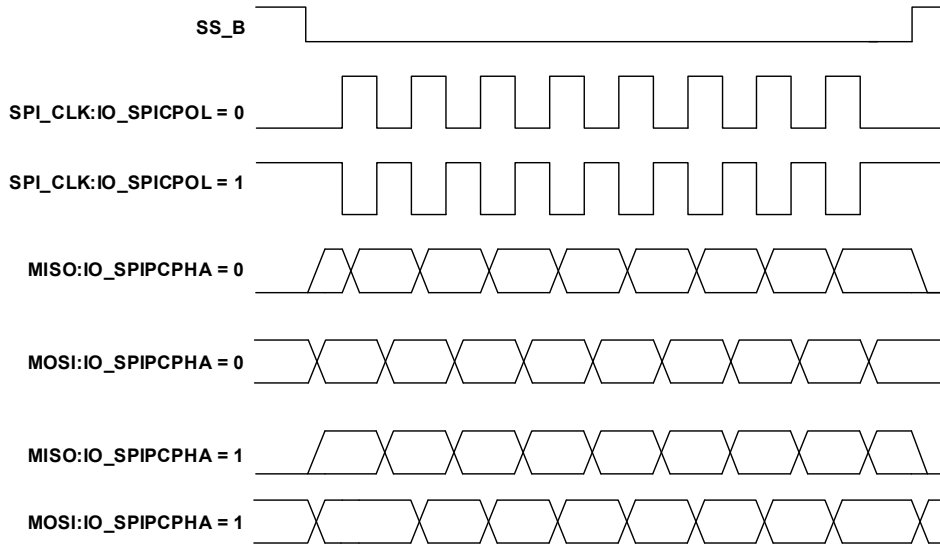


Figure 15. Four Possible Clocking Modes

- **IO\_SPIRWPOL:** R/W bit polarity, RAA271000 SPI\_RWPOL is set to 0, 1: Read, 0: Write.

Table 5. SPI\_RWPOL R/W Bit Settings

SPI_RWPOL	R/W	Operation
0	0	Write
0	1	Read

- **IO\_SPIMODE:** Packet length enable. The RAA271000 uses packet length mode by default, which means, the third data byte from master is the packet length and indicates the total number of data words to be sent/received in a transaction.

### 6.1.3 RAA271000 SPI Timing

Figure 16 shows SPI timing for IO\_SPICPOL = 0; IO\_SPICPHA = 0. The timing values in Table 6 hold true for other values of IO\_SPICPOL, and IO\_SPICHPA.

Table 6. Timing Values

Parameter	Symbol	Min	Max	Units
Clock Period	$t_1$	38.4		ns
Enable Lead Time	$t_2$	12		ns
Enable Lag Time	$t_3$	12		ns
Clock High or Low Time	$t_4$	15		ns
Data Setup Time (Input)	$t_5$	12		ns
Data Hold Time (Input)	$t_6$	10		ns
Time MISO is Stable before the Next Rising Edge of CLK	$t_7$	5		ns
Data Held after Clock Edge (Output)	$t_8$	5		ns
Load Capacitance	$C_L$		10	pF

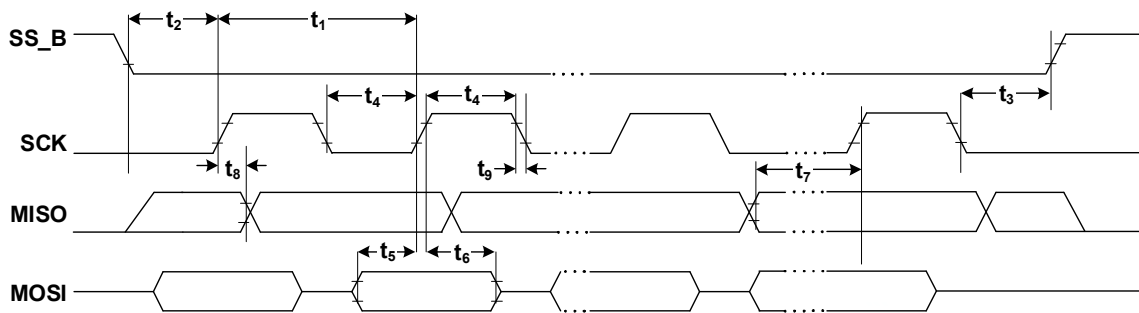


Figure 16. SPI Timing for IO\_SPICPHA = 0, IO\_SPICPOL = 0

## 6.2 I<sup>2</sup>C Interface

The I<sup>2</sup>C interface is a simple, bidirectional 2-wire bus protocol, consisting of the Serial Clock Control (SCL/I<sup>2</sup>C\_CLK) and the Serial Data Signal (SDA/I<sup>2</sup>C\_SDA). The RAA271000 hosts a slave I<sup>2</sup>C interface that supports data speeds up to 3.4Mbps. SCL is an input to the RAA271000 and is supplied by the controller, whereas SDA is bidirectional. The RAA271000 has an open-drain output to transmit data on SDA. **Note:** An external pull-up resistor must be placed on the serial data line to pull the drain output high during data transmission.

The RAA271000 uses a 7-bit hardware address scheme. The default address is set to 0x1D by a one-time programmable fuse.

### 6.2.1 I<sup>2</sup>C Bus Operation

The chip supports 7-bit addressing. The RAA271000 I<sup>2</sup>C device address is reconfigurable through the OTP.

All communication over the I<sup>2</sup>C interface is conducted by sending the MSB of each byte of data first. Data states on the SDA line can change only during SCL LOW periods. SDA state changes during SCL HIGH are reserved for indicating START and STOP conditions (see Figure 19).

All I<sup>2</sup>C interface operations must begin with a START condition, which is a HIGH to LOW transition of SDA while SCL is HIGH. The RAA271000 continuously monitors the SDA and SCL lines for the START condition and does

not respond to any command until this condition is met. **Note:** All I<sup>2</sup>C interface operations must be terminated by a STOP condition, which is a LOW to HIGH transition of SDA while SCL is HIGH.

An Acknowledge (or ACK), is a software convention that indicates a successful data transfer. The transmitting device, either master or slave, releases the SDA bus after transmitting eight bits. During the ninth clock cycle, the receiver pulls the SDA line LOW to acknowledge the reception of the eight bits of data (Figure 19). The RAA271000 responds with an ACK after recognition of a START condition, followed by a valid Identification (also known as I<sup>2</sup>C Address) Byte. The RAA271000 also responds with an ACK after receiving a Data Byte of a write operation. The master must respond with an ACK after receiving a Data Byte of a read operation.

**6.2.1.1 Write Operation**

A Write operation requires a START condition, followed by an RAA271000 I<sup>2</sup>C Address byte with the R/W bit set to 0, a Register Address Byte, Data Bytes, and a STOP condition. After each byte, the RAA271000 responds with an ACK. **Note:** A STOP condition that terminates the write operation must be sent by the master after sending at least one full data byte and its associated ACK signal. If a STOP byte is issued in the middle of a data byte, the write is not performed.

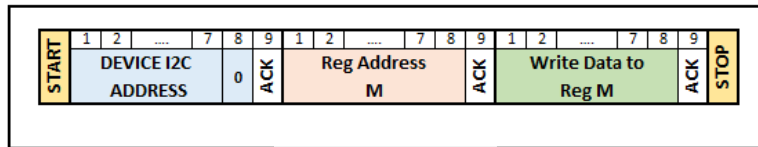


Figure 17. 1-Byte Write to Register M

**6.2.1.2 Read Operation**

A Read operation consists of a 3-byte dummy write instruction to send the register address to begin reading from, followed by a Current Address Read operation. The master initiates the operation, issuing the following sequence: a START condition, followed by an RAA271000 I<sup>2</sup>C Address byte with the R/W bit set to 0, a Register Address Byte, a second START, and a second RAA271000 I<sup>2</sup>C Address byte with the R/W bit set to 1. After each of the three bytes, the RAA271000 responds with an ACK. Next, the RAA271000 transmits the data bytes. The master terminates the Read operation from the RAA271000 by issuing a STOP condition following the last bit of the last data byte.

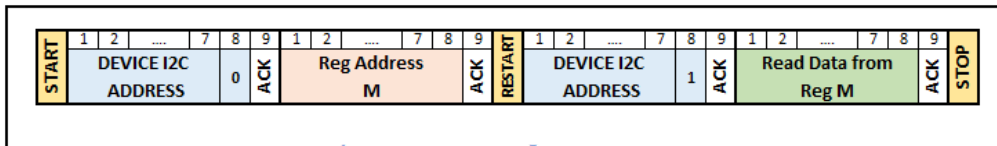


Figure 18. 1-Byte Data Read from Register M

**6.2.2 I<sup>2</sup>C Timing**

The timing specifications of the I<sup>2</sup>C I/O from the I<sup>2</sup>C spec are shown in Figure 19 and Table 7. The I<sup>2</sup>C controller provides a slave I<sup>2</sup>C transceiver capable of interpreting I<sup>2</sup>C protocol in Standard, Fast, Fast+, and High Speed modes.

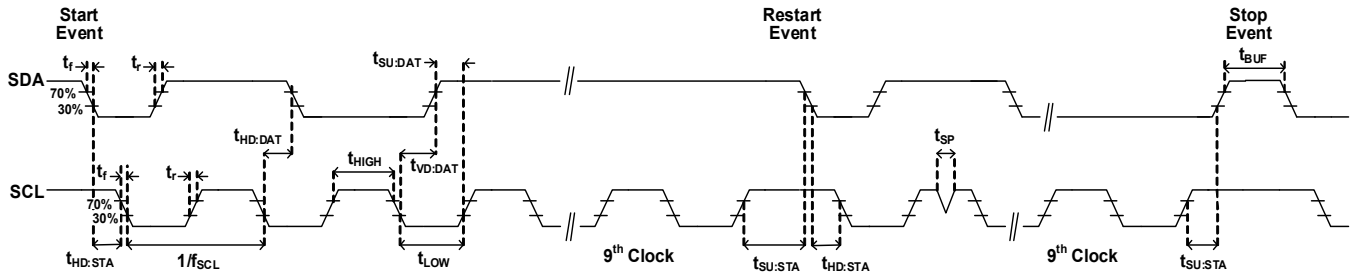


Figure 19. I<sup>2</sup>C Timing

Table 7. I<sup>2</sup>C Specification

Parameter <sup>[1]</sup>	Symbol	Standard Mode		Fast Mode		Fast Mode Plus		High Speed Mode		Unit
		Min	Max	Min	Max	Min	Max	Min	Max	
Clock Frequency	f <sub>SCL</sub>	0	100	0	400	0	1000	0	3400	kHz
Hold Time (repeated) START Condition. (After this period, the first clock pulse is generated.)	t <sub>HD;STA</sub>	4000	-	600	-	260	-	160	-	ns
LOW Period of the SCL Clock	t <sub>LOW</sub>	4700	-	1300	-	500	-	160	-	ns
HIGH Period of the SCL Clock	t <sub>HIGH</sub>	4000	-	600	-	260	-	60	-	ns
Setup Time for a Repeated START Condition	t <sub>SU;STA</sub>	4700	-	600	-	260	-	160	-	ns
Data Hold Time	t <sub>HD;DAT</sub>	15	-	15	-	15	-	15	70	ns
Data Setup Time	t <sub>SU;DAT</sub>	250	-	100	-	50	-	10	-	ns
Rise Time of SCL	t <sub>rCL</sub>	-	1000	-	300	-	120	-	40	ns
Fall Time of SCL	t <sub>fCL</sub>	-	300	-	300	-	120	-	40	ns
Rise Time of SDA	t <sub>rDA</sub>	-	1000	20	300	-	120	10 <sup>[2]</sup>	80	ns
Fall Time of SDA	t <sub>fDA</sub>	-	300	20 × (V <sub>DD</sub> /5.5V) <sup>[3]</sup>	300	20 × (V <sub>DD</sub> /5.5V) <sup>[2]</sup>	120	10 <sup>[2]</sup>	80	ns
Setup Time for STOP Condition	t <sub>SU;STO</sub>	4000	-	600	-	260	-	160	-	ns
Bus Free Time between a STOP and START Condition	t <sub>BUF</sub>	4700	-	1300	-	500	-	-	-	ns
Capacitive Load for each Bus Line	C <sub>b</sub>	-	400	-	400	-	400	-	100	pF



Table 7. I<sup>2</sup>C Specification (Cont.)

Parameter <sup>[1]</sup>	Symbol	Standard Mode		Fast Mode		Fast Mode Plus		High Speed Mode		Unit
		Min	Max	Min	Max	Min	Max	Min	Max	
Output Fall Time from VIHmin to VILmax	t <sub>of</sub>	-	250 <sup>[5]</sup>	20 × (V <sub>DD</sub> / 5.5V) <sup>[6]</sup>	250 <sup>[5]</sup>	20 × (V <sub>DD</sub> / 5.5V) <sup>[6]</sup>	120 <sup>[7]</sup>	10 <sup>[2]</sup>	80	ns
Pulse Width of Spikes Suppressed by the Input Filter	t <sub>SP</sub>	-	-	0	50	0	50	0	10	ns

1. V<sub>DD</sub> is the pull-up source to the I<sup>2</sup>C lines (GPIO0, GPIO1).
2. Valid only for V<sub>DD</sub> < 1.9V.
3. Valid only for V<sub>DD</sub> < 4V.

### 6.3 Communication Cyclic Redundancy Check (CRC)

As a fuse option, each write and read transaction from the master to RAA271000 can be implemented with an additional byte of Cyclic Redundancy (CRC-8). CRC can be used for both I<sup>2</sup>C and SPI communication using the following polynomial:

(EQ. 1)  $x^8 + x^2 + x^1 + 1$

During a WRITE transaction, this extra byte is added after the write data. For a READ transaction, a second byte of CRC is sent to the master after the data byte. For each new transaction, the CRC value is reset to 0x00.

### 6.3.1 Example CRC calculation (C)

Below is a sample 1-byte CRC calculation in C language:

```
uint8_t calculate_i2c_crc(uint8_t last_crc, uint8_t new_data)
{
    crc_result = 0;

    // Extract bits of last_crc
    for(i=0;i<8;i++)
    {
        crc_c[i] = (last_crc >> i) & 1;
    }

    // Extract bits of new_data
    for(i=0;i<8;i++)
    {
        crc_d[i] = (new_data >> i) & 1;
    }

    crc_newcrc[7] = crc_d[7]^crc_d[6]^crc_d[5]^crc_c[5]^crc_c[6]^crc_c[7];
    crc_newcrc[6] = crc_d[6]^crc_d[5]^crc_d[4]^crc_c[4]^crc_c[5]^crc_c[6];
    crc_newcrc[5] = crc_d[5]^crc_d[4]^crc_d[3]^crc_c[3]^crc_c[4]^crc_c[5];
    crc_newcrc[4] = crc_d[4]^crc_d[3]^crc_d[2]^crc_c[2]^crc_c[3]^crc_c[4];
    crc_newcrc[3] =
    crc_d[7]^crc_d[3]^crc_d[2]^crc_d[1]^crc_c[1]^crc_c[2]^crc_c[3]^crc_c[7];
    crc_newcrc[2] =
    crc_d[6]^crc_d[2]^crc_d[1]^crc_d[0]^crc_c[0]^crc_c[1]^crc_c[2]^crc_c[6];
    crc_newcrc[1] = crc_d[6]^crc_d[1]^crc_d[0]^crc_c[0]^crc_c[1]^crc_c[6];
    crc_newcrc[0] = crc_d[7]^crc_d[6]^crc_d[0]^crc_c[0]^crc_c[6]^crc_c[7];

    // restore bits back to unsigned short
    for(i=0;i<8;i++)
    {
        crc_result |= crc_newcrc[i] << i;
    }

    return crc_result;
}
```

## 7. Power Management Features

### 7.1 Buck Regulators (Buck 1-5)

RAA271000 includes five DC/DC buck step-down regulators. Each regulator has an output voltage adjustable by using a 10-bit DAC and a feedback divider. The frequency of each buck can be set to hysteretic (varying frequency), fixed frequency, or pseudo-random spread spectrum frequency. Of these three options, hysteretic mode offers the best transient performance.

#### 7.1.1 Buck Output Voltage Selection

The output voltage for each buck regulator is set by a feedback divider and a 10-bit DAC. While the feedback divider ratio is factory programmed, the DAC value can be changed by adjusting the values of BUCKx\_DVS0VOUT92 and BUCKx\_DVS0VOUT10. These values are the top eight bits and lower two bits of the 10-bit DAC, respectively. For the output voltage to change, the value of BUCKx\_DVS0VOUT10 must be written. For Buck 1 only, there is a value for the second DVS code in BUCK1\_DVS1VOUT. More details on Buck1 DVS are described in [Dynamic Voltage Scaling \(DVS\)](#).

The output voltage for each buck based on the FB divider setting used is shown in [Equation 2](#). **Note:** To ensure proper regulation, the buck output voltage must be set to a value between 0.3V and 3.3V.

$$(EQ. 2) \quad V_{BUCK} = 1.2125 \cdot \frac{(DAC/1023)}{FBDIV}$$

DAC is the 10-bit Buck DAC code and FBDIV is the feedback divider value. **Note:** FBDIV can be factory programmed to a value of 1, 0.75, 0.5, or 0.25.

##### 7.1.1.1 Buck DAC Step Size

The step size for each DAC code in ( ) can also be rewritten as mV/bit as shown in [Table 8](#).

**Table 8. Buck DAC Step Size**

VOUTFBDIV Value	DAC Step Size (mV/bit)
1.0	1.19
0.75	1.58
0.5	2.37
0.25	4.74

### 7.1.2 Buck Regulator Startup Ramp Rate

The rate at which the buck regulators ramp up during startup can be factory programmed to different options. This ramp rate depends on the voltage range used for the buck regulator and therefore, the value of VOUTFBDIV.

Table 9 shows the factory programmable startup ramp rate options.

Table 9. Buck Regulator Ramp Rate Options

VOUTFBDIV Value	Option Number	Buck 1 Ramp Rate (mV/μs)	Buck 2-5 Ramp Rate (mV/μs)
<b>1.0 Options</b>			
1.0	0	3	1.2
1.0	1	6	3
1.0	2	14.4	7.2
1.0	4	12	6
<b>0.75 Options</b>			
0.75	0	1.6	1.6
0.75	1	3.2	3.2
0.75	2	6.4	6.4
<b>0.5 Options</b>			
0.5	0	1.2	1.2
0.5	1	2.4	2.4
0.5	2	6	6
<b>0.25 Options</b>			
0.25	0	1.2	1.2
0.25	1	2.4	2.4
0.25	2	6	6

### 7.1.3 Buck 1 Additional Features

In addition to the specifications previously mentioned that are common to all buck channels, Buck 1 contains some additional features. Buck 1 includes Dynamic Voltage Scaling (DVS) to quickly change between two predetermined voltage levels. Buck 1 also uses an internal high-side NMOS device, so a bootstrap capacitor is required and ties between pins BOOT and PH1.

### 7.1.4 Dynamic Voltage Scaling (DVS)

While all buck regulators can change output voltage by changing the DAC value, Buck 1 has several options to achieve DVS. There are two independently programmable voltage settings for the Buck 1 controller, which can set the output voltage. These settings are DVS0 and DVS1. By changing the DVS number selected, the corresponding output voltage is selected. There are two methods to select the DVS output voltage.

- **Method 1:** Use internal registers to select DVS by writing to the BUCK1\_DVSSELECT bit in the BUCK1\_DVSSEL register using SPI or I<sup>2</sup>C. To use this method, the BUCK1\_DVSCTRL bit has to be set to 0b0 for the corresponding buck. The BUCK1DVSSELECT bit allows you to switch between the two different DVS settings, each corresponding to a set of DVS registers holding the DVS information. For example, DVS0 corresponds to BUCK1\_DVS0VOUT92[7:0] and BUCK1\_DVS0VOUT10[1:0]. The two register values combined represent the complete 10-bit DAC code for DVS0.
- **Method 2:** Using the GPIO3 pin to achieve DVS, there are five variations depending on the IO\_PINMODE register setting. See Table 1.

**Note:** To use DVS using the GPIO/MPIO pins requires IO\_PINMODE to be OTP programmed before a start-up

boot sequence is initiated. **Note:** On-the-fly programming is not recommended for the following configurations.  
 (i) IO\_PINMODE = 1 or 3: DVFS pin available

### 7.1.5 Fixed Frequency Operation

The buck regulators can be forced to operate in a fixed frequency mode. In this mode, each regulator can be factory programmed to one of the three frequencies shown in [Table 10](#).

**Table 10. Fixed Frequency Options**

Frequency (MHz)	Option Number
2.29	0
2.91	1
4.00	2

If two or more buck outputs are programmed with the same fixed frequency option, a selectable phase shift of 0° or 180°, measured relative to the phase of Buck 1.

### 7.1.6 Spread Spectrum Operation

The buck regulators support quasi-random spread spectrum operation to reduce emissions. This mode is implemented using a divided version of the internal oscillator while modulating control bits to rapidly adjust the oscillator center frequency. **Note:** The center frequency used in spread spectrum mode is factory programmable with the same values in [Table 8](#).

The frequency deviation in fixed frequency mode can be factory programmed between ±3.5% to ±1%. There is also a dwell (or pause) time that keeps the oscillation to a fixed frequency for a certain period of time. The dwell time can be fixed or random in time.

The full list of factory programmable options in spread spectrum mode are listed in [Table 11](#) through [Table 13](#).

**Table 11. Spread Spectrum Amplitude Options**

Maximum Frequency Deviation (%)	Option Number
1	0
2	1
3	2
3.5	3

**Table 12. Spread Spectrum Direction Options**

Direction	Option Number
Spread spectrum disabled	0
Downwards only (-)	1
Centered (+ and -)	2
Upwards only (+)	3

**Table 13. Spread Spectrum Frequency Dwell Settings**

Dwell Setting	Option Number
Random dwell for 0 - 1.75ms	0
Random dwell for 0 - 3.75ms	1

**Table 13. Spread Spectrum Frequency Dwell Settings (Cont.)**

Dwell Setting	Option Number
Random dwell for 0.75 - 7.75ms	2
Random dwell for 0 - 15.75ms	3
Fixed dwell for 1.75ms	4
Fixed dwell for 3.25ms	5
Fixed dwell for 7.75ms	6
Fixed dwell for 14.25ms	7

### 7.1.7 Recommended Buck External Components

Based on the operating option, the buck regulators can be used with a different minimum amount of output capacitance to maintain their load transient specifications. Capacitance values lower than recommended can be used, but the transient performance suffers.

**Table 14. Recommended Buck Output Capacitance Based on Operating Mode**

Output	Hysteretic (μF)	Fixed Frequency (μF)	Spread Spectrum (μF)
Buck 1	4 x 47	8 x 47	8 x 47
Buck 2	1 x 22	3 x 47	3 x 47
Buck 3	1 x 22	3 x 47	3 x 47
Buck 4	1 x 22	3 x 47	3 x 47
Buck 5	1 x 22	3 x 47	3 x 47

**Table 15. Recommended Inductors for Each Buck Output**

Output	Inductor Value (nH)
Buck 1	80 ~ 150
Buck 2	220 ~ 470
Buck 3	220 ~ 470
Buck 4	220 ~ 470
Buck 5	220 ~ 470

## 7.2 LDO regulators (LDO 1-2)

RAA271000 includes two LDOs. The output of each LDO is programmed by an 8-bit DAC and each output is independent. LDO1 and LDO2 have separate power inputs at pints LDOIN1 and LDOIN2, respectively. The output of each LDO should be connected to a 1μF filtering capacitor.

Renesas does not recommended to operate the LDOs with a large dropout voltage (LDOO - LDOIN) and a high current. The power dissipated by each LDO must be less than 600mW. This power is calculated using [Equation 3](#).

**(EQ. 3)**  $P_{diss} = (V_{LDOIN} - V_{LDOO}) \cdot I_{OUT}$

### 7.2.1 LDO Output Voltage

Both LDOs can be set to an output voltage of 0.6V to 3.6V in 15.2mV steps. This output voltage is set by the 8-bit DAC value in registers LDO1\_VOUT\_CORE and LDO2\_VOUT\_CORE for LDO1 and LDO2, respectively. The LDO output voltage follows [Equation 4](#).

**Note:** The output voltage of the LDO must be set above 0.6V to ensure proper operation.

(EQ. 4) 
$$V_{LDO} = 3.2 \cdot 1.2125 \cdot \frac{DAC}{255}$$

### 7.2.2 LDO Startup Ramp Rate

Similar to the buck regulators, LDO1-2 starts up with a factory-programmed ramp rate based on [Table 16](#).

**Table 16. LDO Ramp Rate Options**

Option Number	LDO Ramp Rate (mV/μs)
0	15.4
1	7.7
2	3.9
3	2.0
4	1.0
5	0.5
6	0.2

## 7.3 Digital Features

### 7.3.1 Fault Reactions

The Buck and LDO regulators have a number of faults for which they can report and react. [Figure 21](#) summarizes the faults and how the regulators can be configured to react:

**Table 17. Faults and Reactions**

Fault Name	Regulator Type	Reaction	Description
Overvoltage	Buck only	Do nothing	Ignore the fault
		Stops switching this buck	Stop the buck switching
		Stops switching for a few cycles then shutdown this buck	Stop the buck switching for a few cycles then shutdown
		Shuts down this buck	Force the buck to disable
		Shuts down all bucks	Force all buck regulators to disable
		Shuts down all regulators	Force all regulators to disable
Undervoltage	Buck and LDO	Do nothing	Ignore the fault
		Shuts down this regulator	Force the regulator to disable
		Shuts down all bucks	Force all buck/LDOs to disable
		Shuts down all regulators	Force all regulators to disable
High-Side Positive Current Limit	Buck only	Do nothing	Ignore the fault
		Shuts down this regulator	Force the buck to disable
		Shuts down all bucks	Force all buck regulators to disable
		Shuts down all regulators	Force all regulators to disable

Table 17. (Cont.)Faults and Reactions

Fault Name	Regulator Type	Reaction	Description
Low-Side Negative Current Limit	Buck only	Do nothing	Ignore the fault
		Shuts down this regulator	Force the buck to disable
		Shuts down all bucks	Force all buck regulators to disable
		Shuts down all regulators	Force all regulators to disable
Regulation Over-Temperature Protection	Buck and LDO	Shuts down this regulator	Force the regulator to disable
		Do Nothing	Ignore the fault

### 7.3.2 Regulation Interrupt (REGU\_INT) Pin

In pin mode 0x3 and pin mode 0x4, there is an interrupt pin (REGU\_INT) that alerts the SoC to faults inside the regulation block of the PMIC. These faults can be individually masked by changing the bits in the FLT\_MASK\* registers and faults can be read through the FLT\_RECORD\* registers. **Note:** Both registers exist in the regulation register map, listed in [Regulation Register Map](#). Table 18 shows a list of the individual faults that can trigger the REGU\_INT pin.

Table 18. INT Pin Fault Signals

Description	Register Map Name	Maskable?	Notes
OTP Program Warning	OTPPROGWARN	Y	Not used by user
OTP Programming Addr fault	OTPPROGADDR	Y	Not used by user
OTP Programming fault	OTPPTOG	Y	Not used by user
OTP Init failure	OTPINIT	Y	OTP download engine failed to complete
OTP CRC Failure 2	OTPCRCPAGE2	Y	CRC failure bit [2]
OTP CRC Failure 1	OTPCRCPAGE01	Y	CRC failure bit [1]
OTP Read Duration Fault	OTPTIMEOUT	Y	OTP Read duration > ~8ms
OTP Not Programmed Fault	OTPNOTPGMD	Y	
Boot Occurred	BOOT	Y	Indicates that boot process has occurred
Over-Temperature Rising	TEMPSDR	Y	Indicates that the over-temperature block in the regulation area is over its threshold value (rising threshold)
Over-Temperature Falling	TEMPSDF	Y	Indicates that the over-temperature block in the regulation area has fallen below the threshold (falling threshold, Shutdown - Hysteresis)
Buck1 Boot Undervoltage	BOOTUV	Y	Indicates an undervoltage fault on Buck 1
Buck1 Low-Side Way Undercurrent	BUCK1_LSWUC	Y	
Buck1 Low-Side Way Overcurrent	BUCK1_LSWOC	Y	
Buck1 High-Side Way Overcurrent	BUCK1_HSWOC	Y	
Buck1 Overvoltage	BUCK1_OV	Y	Factory programmable threshold of +150mV, +200mV, +250mV, or +300mV
Buck1 Undervoltage	BUCK1_UV	Y	Factory programmable threshold of -150mV, -200mV, -250mV, or -300mV



Table 18. INT Pin Fault Signals (Cont.)

Description	Register Map Name	Maskable?	Notes
Buck2 Low-Side Way Undercurrent	BUCK2_LSWUC	Y	
Buck2 Low-Side Way Overcurrent	BUCK2_LSWOC	Y	
Buck2 High-Side Way Overcurrent	BUCK2_HSWOC	Y	
Buck2 Overvoltage	BUCK2_OV	Y	Factory programmable threshold of +150mV, +200mV, +250mV, or +300mV
Buck2 Undervoltage	BUCK2_UV	Y	Factory programmable threshold of -150mV, -200mV, -250mV, or -300mV
Buck3 Low-Side Way Undercurrent	BUCK3_LSWUC	Y	
Buck3 Low-Side Way Overcurrent	BUCK3_LSWOC	Y	
Buck3 High-Side Way Overcurrent	BUCK3_HSWOC	Y	
Buck3 Overvoltage	BUCK3_OV	Y	Factory programmable threshold of +150mV, +200mV, +250mV, or +300mV
Buck3 Undervoltage	BUCK3_UV	Y	Factory programmable threshold of -150mV, -200mV, -250mV, or -300mV
Buck4 PVIN OK	BUCK4_PVIN_OK	Y	Indicates whether there is a fault on PVIN4
Buck4 Low-Side Way Undercurrent	BUCK4_LSWUC	Y	
Buck4 Low-Side Way Overcurrent	BUCK4_LSWOC	Y	
Buck4 High-Side Way Overcurrent	BUCK4_HSWOC	Y	
Buck4 Overvoltage	BUCK4_OV	Y	Factory programmable threshold of +150mV, +200mV, +250mV, or +300mV
Buck4 Undervoltage	BUCK4_UV	Y	Factory programmable threshold of -150mV, -200mV, -250mV, or -300mV
Buck5 Low-Side Way Undercurrent	BUCK5_LSWUC	Y	
Buck5 Low-Side Way Overcurrent	BUCK5_LSWOC	Y	
Buck5 High-Side Way Overcurrent	BUCK5_HSWOC	Y	
Buck5 Overvoltage	BUCK5_OV	Y	Factory programmable threshold of +150mV, +200mV, +250mV, or +300mV
Buck5 Undervoltage	BUCK5_UV	Y	Factory programmable threshold of -150mV, -200mV, -250mV, or -300mV
LDO2 Undervoltage	LDO2_UV	Y	Undervoltage detection for LDO2. Indicates a short-circuit and the threshold is about 70% of the target LDO output voltage.

Table 18. INT Pin Fault Signals (Cont.)

Description	Register Map Name	Maskable?	Notes
LDO1 Undervoltage	LDO1_UV	Y	Undervoltage detection for LDO1. Indicate a short-circuit and the threshold is about 70% of the target LDO output voltage.
VBAT Overvoltage	VBAT_OV	Y	Overvoltage fault on AVIN1
SPI CRC Error	FLT_SPI	Y	Indicates a fault during a SPI transaction while CRC for SPI communication is enabled
I <sup>2</sup> C CRC Error	FLT_I2C	Y	Indicates a fault during an I2C transaction while CRC for I <sup>2</sup> C communication is enabled

## 8. Protection Features

While the Regulation side of the chip handles the power management functions and delivers stable power to all outputs, the Protection side of the chip monitors all output and internal signals for faults.

### 8.1 Monitoring ADC

The RAA271000 uses a sophisticated multi-channel 12-bit SAR ADC to continuously monitor all output rails, critical internal signals and the chip temperature. ADC samples are processed by a digital averaging filter to reduce noise and increase accuracy.

The monitoring system also measures up to 16 external signals by using 5 dedicated ADC pins. These ADC pins can be configured either as all analog inputs (ADC 1-5), or they can be configured to use external multiplexers. If external multiplexers are used, pins ADC1 and ADC2 are analog inputs, and pins ADC3, ADC4, and ADC5 are digital outputs to control the digital multiplexers with fixed timing. When external multiplexers are used, the channels are interleaved between each MUX with ADC1 connecting to even channels and ADC2 connecting to odd channels. A block diagram of the monitoring system is shown in Figure 20.

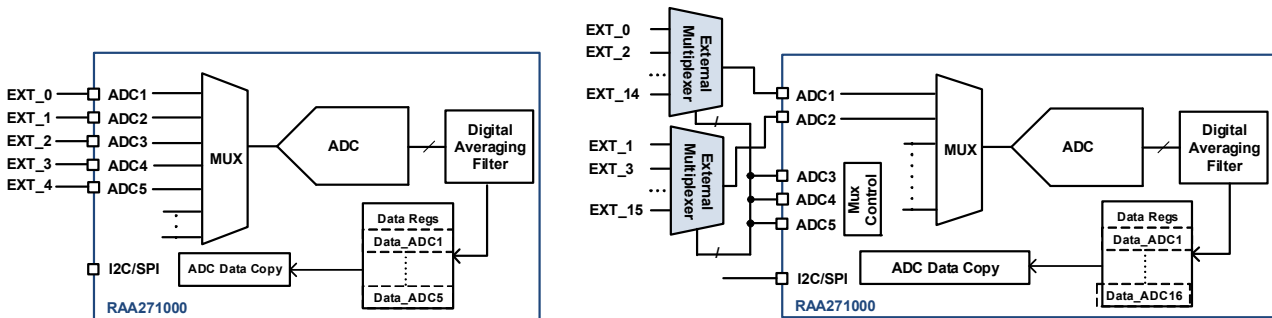


Figure 20. Monitoring ADC Block Diagram without (Left) and with (Right) External MUX

ADC High/low thresholds, averaging filter coefficient (IIR) and full-scale range (PGA gain) are all independently programmable for external measurements 1 to 8. When using external MUXes, this corresponds to the first four input signals on each MUX.

#### 8.1.1 Monitoring ADC Inputs

The monitoring system monitors the outputs of each of the ADC inputs shown in Table 19. Monitoring is performed by comparing the current ADC Data with a High Limit and Low Limit value that is set in the same format as the ADC readings.

Table 19. All Monitoring ADC Inputs

ADC Input Description	Register Map Name	Scaling Factor	Unit
ADC Internal Offset	ADCMON_Offset	1	Codes
Temperature	ADCMON_Temp	4	°C
Temperature (redundant copy)	ADCMON_Temp_Delta	4	°C
Regulation Bandgap	ADCMON_BGRegu	4000	V
Regulation PGND	ADCMON_PGNDRegu	4000	V
Regulation Internal LDO #1	IntLDORegu_0_ADCMON_IntLDORegu	3000	V
Regulation Internal LDO #2	IntLDORegu_1_ADCMON_IntLDORegu	3000	V
Regulation Internal LDO #3	IntLDORegu_2_ADCMON_IntLDORegu	3000	V
Regulation Internal LDO #4	IntLDORegu_3_ADCMON_IntLDORegu	3000	V
Regulation Internal LDO #5	IntLDORegu_4_ADCMON_IntLDORegu	3000	V
Regulation Internal LDO #6	IntLDORegu_5_ADCMON_IntLDORegu	3000	V
Protection Internal LDO #1	IntLDOProt_0_ADCMON_IntLDOProt	3000	V
Protection Internal LDO #2	IntLDOProt_1_ADCMON_IntLDOProt	3000	V
AVIN1 Voltage	ADCMON_AVIN1	4000	V
AVIN2 Voltage	ADCMON_AVIN2	4000	V
LDO1 Voltage	extLDO_0_ADCMON_ExtLDO	4000	V
LDO2 Voltage	extLDO_1_ADCMON_ExtLDO	4000	V
PVIN1 Voltage	PVIN_0_ADCMON_PVIN	533	V
PVIN2 Voltage	PVIN_1_ADCMON_PVIN	533	V
PVIN3 Voltage	PVIN_2_ADCMON_PVIN	533	V
PVIN4 Voltage	PVIN_3_ADCMON_PVIN	533	V
PVIN5 Voltage	PVIN_4_ADCMON_PVIN	533	V
Buck1 (VOUT1) Voltage	VOUT_0_ADCMON_VOUT	4000	V
Buck1 (VOUT1) Voltage	VOUT_1_ADCMON_VOUT	4000	V
Buck1 (VOUT1) Voltage	VOUT_2_ADCMON_VOUT	4000	V
Buck1 (VOUT1) Voltage	VOUT_3_ADCMON_VOUT	4000	V
Buck1 (VOUT1) Voltage	VOUT_4_ADCMON_VOUT	4000	V
ADC1 / External ADC Mux Channel 0	EXT_0_ADCMON_EXT	4000	V
ADC2 / External ADC Mux Channel 1	EXT_1_ADCMON_EXT	4000	V
ADC3 / External ADC Mux Channel 2	EXT_2_ADCMON_EXT	4000	V
ADC4 / External ADC Mux Channel 3	EXT_3_ADCMON_EXT	4000	V
ADC5 / External ADC Mux Channel 4	EXT_4_ADCMON_EXT	4000	V
External ADC Mux Channel 5	EXT_5_ADCMON_EXT	4000	V
External ADC Mux Channel 6	EXT_6_ADCMON_EXT	4000	V
External ADC Mux Channel 7	EXT_7_ADCMON_EXT	4000	V
External ADC Mux Channel 8	EXT_8_ADCMON_EXT	4000	V
External ADC Mux Channel 9	EXT_9_ADCMON_EXT	4000	V

**Table 19. All Monitoring ADC Inputs (Cont.)**

ADC Input Description	Register Map Name	Scaling Factor	Unit
External ADC Mux Channel 10	EXT_10_ADCMON_EXT	4000	V
External ADC Mux Channel 11	EXT_11_ADCMON_EXT	4000	V
External ADC Mux Channel 12	EXT_12_ADCMON_EXT	4000	V
External ADC Mux Channel 13	EXT_13_ADCMON_EXT	4000	V
External ADC Mux Channel 14	EXT_14_ADCMON_EXT	4000	V
External ADC Mux Channel 15	EXT_15_ADCMON_EXT	4000	V

### 8.1.2 Programmable Gain Amplifier

The monitoring ADC includes a Programmable Gain Amplifier (PGA) to precondition analog inputs. The output of the PGA is connected to the ADC. The ADC itself has an input voltage range of ±980mV.

RAA271000 has 8 PGA gain settings that set the effective input voltage range of the input to the ADC. The PGA gain for each ADC channel can be set independently. All PGA gains are shown in [Table 20](#).

**Table 20. PGA Gain settings**

Option Number	PGA Gain	Input Voltage Range
0	0.125	±7.84 V
1	0.5	±1.96 V
2	2	±490 mV
3	8	±123 mV
4	0.333	±2.94V
5	0.8	±1.25V
6	N/A	N/A (internal use only)
7	1.4	±700mV

### 8.1.3 Monitoring System IIR Filter

The monitoring ADC includes an Infinite Impulse Response (IIR) filter to reduce noise and improve accuracy. The IIR filter has the following transfer function:

(EQ. 5) 
$$\text{Average} = \frac{\text{NewSample} - z^{-1} \times \text{Average}}{2^{-m}} + z^{-1} \times \text{Average}$$

The value of m can be independently set from 0 to 7 for each monitored rail, so the IIR can have the following values:

**Table 21. IIR Coefficient Options**

Option	IIR Averaging Value
0	1
1	1/2
2	1/4
3	1/8
4	1/16

Table 21. IIR Coefficient Options

Option	IIR Averaging Value
5	1/32
6	1/64
7	1/128

### 8.1.4 Sampling Rate

The sampling rates for different ADC channels are shown in [Table 22](#).

Table 22. ADC Sampling Rate of Different Inputs

PMIC Outputs (Buck1-5, LDO1-2)	PMIC Internal	ADC 1-5 Pins without MUX	ADC 1-5 Pins with MUX
40µs	40µs	100µs	320µs

### 8.1.5 ADC Data Format

The data in all ADC registers follow the S13.2 data format, for example, this is a 16-bit signed number with an LSB of 0.25mV (or 0.25°C for temperature readings). Some of the ADC inputs have an attenuation before the PGA, so the scaling factor in [Table 19](#) is not the same for all channels.

To convert an ADC value to a real number, perform the following calculation:

1. Convert digital value to a signed number
2. Divide by the scaling factor specified in [Table 19](#)

Examples:

Channel VOUT\_1\_ADCMON\_VOUT = 0x13E8 (decimal 5096)

- Value / Scaling\_factor = 5096 / 4000 = 1.274V

Channel ADCMON\_Temp = 0xFFAD (decimal -83)

- Value / Scaling\_factor = -83/4 = -20.75°C

Channel PVIN\_2\_ADCMON\_PVIN = 0x0A5E (decimal 2654)

- Value / Scaling\_factor = 2654/533 = 4.98V

## 8.2 Overvoltage (OV) and Undervoltage (UV) Monitoring

Using the SAR ADC, all internal and external voltages of RAA271000 are continuously monitored and compared against a digital Overvoltage (OV) and Undervoltage (UV) value. If any of these signals is outside of the OV and UV levels, a protection fault is triggered.

The OV and UV levels for all internal and external regulators are factory programmed in one-time programmable memory, but can be specified by the customer for each application.

The full list of regulators that are monitored for OV and UV conditions is show in [Table 19](#).

## 8.3 Over-Temperature Warning and Shutdown

Similar to OV and UV protection for voltages, the protection side temperature sensor is monitored by the ADC and temperature thresholds can be set, namely a Warning threshold and a Shutdown threshold. Both of these thresholds can be specified by the customer, are factory programmed in one-time programmable memory and can be any temperature value with a resolution of 0.25°C.

## 8.4 Watchdog Timer (WDT)

RAA271000 contains a watchdog timer that can be used in several ways to ensure that the PMIC is still alive and able to respond to serial commands. The following are the three watchdog options available in RAA271000:

- A 16-question watchdog
- A 4-question watchdog
- A windowed watchdog function

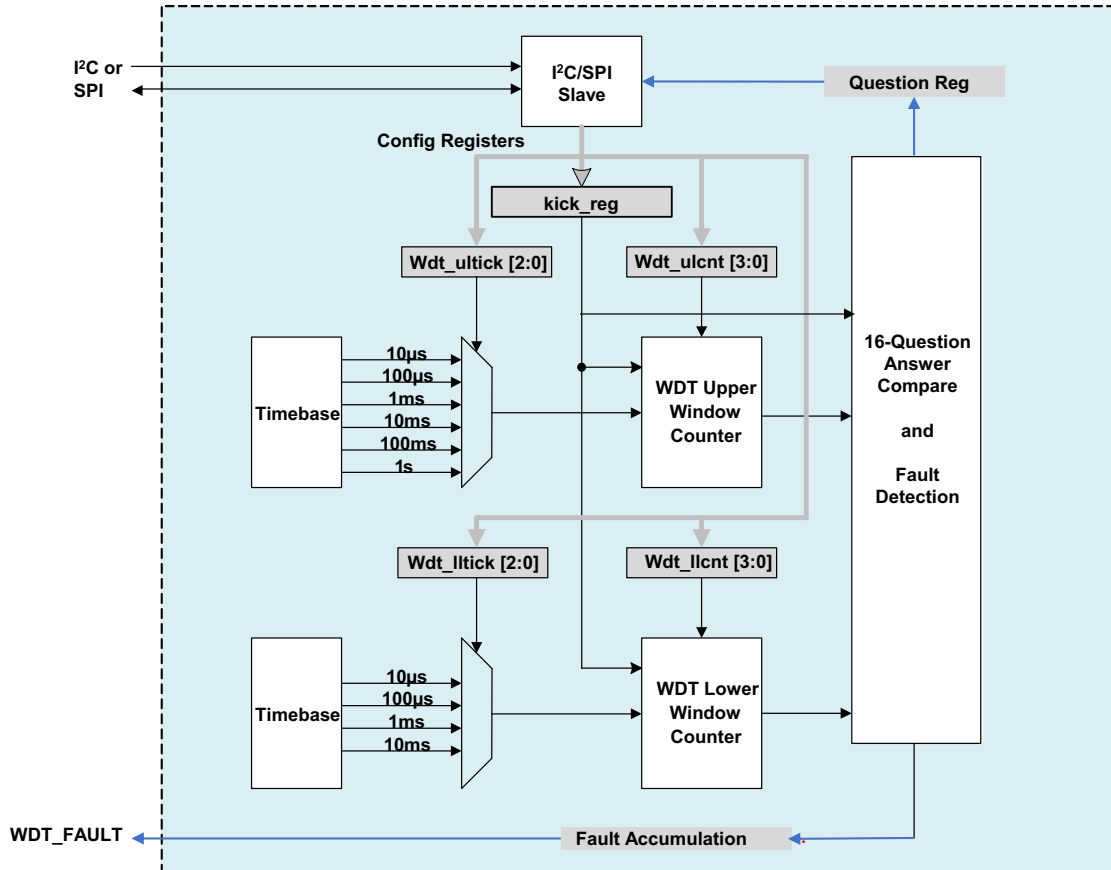


Figure 21. 16-Question Watchdog Timer

### 8.4.1 16-Question Watchdog Timer (QA16WDT)

In the 16-Q&A watchdog mode, RAA271000 provides a Token value by reading the top four bits of register [0xC9 - WDT\\_LFSR](#). After sending the token, RAA271000 expects the four answer bytes to be written to register [0xC8 - WDT\\_KICK\\_REG](#) in the order Answer-0, Answer-1, Answer-2, and Answer-3 with the values shown in [Table 23](#).

Table 23. QA16WDT Questions and Answers

Token	Watchdog Answer			
	Answer-3	Answer-2	Answer-1	Answer-0
0x0	0xFF	0x0F	0xF0	0x00
0x1	0xB0	0x40	0xBF	0x4F
0x2	0xE9	0x19	0xE6	0x16
0x3	0xA6	0x56	0xA9	0x59
0x4	0x75	0x85	0x7A	0x8A
0x5	0x3A	0xCA	0x35	0xC5

Table 23. QA16WDT Questions and Answers (Cont.)

Token	Watchdog Answer			
	Answer-3	Answer-2	Answer-1	Answer-0
0x6	0x63	0x93	0x6C	0x9C
0x7	0x2C	0xDC	0x23	0xD3
0x8	0xD2	0x22	0xDD	0x2D
0x9	0x9D	0x6D	0x92	0x62
0xA	0xC4	0x34	0xCB	0x3B
0xB	0x8B	0x7B	0x84	0x74
0xC	0x58	0xA8	0x57	0xA7
0xD	0x17	0xE7	0x18	0xE8
0xE	0x4E	0xBE	0x41	0xB1
0xF	0x01	0xF1	0x0E	0xFE

**Note:** It is possible to simplify the table slightly by noticing that some of the answers have just the MSB, LSB, or full value of Answer-0 flipped. Using C syntax:

- Answer-1 = Answer-0 ^ 0xF0
- Answer-2 = Answer-0 ^ 0x0F
- Answer-3 = Answer-0 ^ 0xFF

### 8.4.2 4-Question Watchdog Timer (QA4WDT)

The 4-Q&A watchdog mode is similar to the 16-Q&A watchdog, but the number of questions is reduced to four and there is only one answer. In QA4WDT mode, bits [7:6] of register [0xC9 - WDT\\_LFSR](#) read the Token, and bits [5:0] compute the WD answer. As with the QA16WDT, the answer is written back to register [0xC8 - WDT\\_KICK\\_REG](#).

Table 24. QA4WDT Questions and Answers

Token Read From WDT_LFSR		WD Answer To be written to WDT_KICK_REG
WDT_LFSR <7>	WDT_LFSR <6>	
0	0	WDT_LFSR <5:0>
0	1	WDT_LFSR <5:0> shifted one bit to the left
1	0	WDT_LFSR <5:0> shifted one bit to the right
1	1	Inverse of WDT_LFSR <5:0>

### 8.4.3 Windowed Watchdog Timer (WWDT)

The watchdog function can also be used in a basic Windowed Kick mode. When configured this way, the PMIC expects the value 0x2A to be continuously written to register [0xC8 - WDT\\_KICK\\_REG](#) within the configured time window.

## 8.5 Protection Interrupt Pin (INTb)

RAA271000 contains an interrupt pin (INTb) that reacts to faults in the protection digital. This pin is a push-pull output that is powered by the VIO supply and asserts LO when a fault is recorded.

INTb reacts to the following:

- Protection digital internal logic faults (such as self test, clock monitor)
- Watchdog faults
- CRC communication faults
- AVIN/GND OV/UV faults
- Internal reference OV/UV faults
- Internal LDO OV/UV faults
- Buck regulator OV/UV faults
- LDO regulator OV/UV faults
- External ADC channel OV/UV faults
- Faults related to OTP (one-time programmable memory)

**Note:** A full list of faults and their reactions is located in the RAA271000 Safety Application Note.

### 8.6 Monitoring Configuration Lock Bit

RAA271000 includes a lock bit for the monitoring hardware. While this bit is asserted, all registers that change the configuration of the monitoring block are locked and cannot be written by you (including fault masking). When this bit is de-asserted, the registers can be written as normal.

### 8.7 Debug Mode and Fault Lockout Fuse

RAA271000 includes a fault lockout bit implemented using a polyfuse. Before the fuse is blown, all fault modes in the protection block are masked to help with initial setup of the device. After the polyfuse is electrically blown, the device returns to normal operation and all faults in the protection block work as normal.



## 9. Register Maps

The RAA271000 contains two separate register spaces: one to control the power management functions (the Regulation register map), and one to control protection related functions (the Protection register map). If the RAA271000 is configured with I<sup>2</sup>C communication (pin modes 1, 2, 3, or 5), Regulation and Protection can be accessed individually by communicating to different I<sup>2</sup>C slave addresses. These slave addresses are set in one time-programmable memory.

If RAA271000 is configured with SPI communication (pin modes 0, 4, or 5), the Regulation registers can be accessed by asserting SS\_B, and the Protection registers can be accessed by asserting SS\_B2 while communicating over the MOSI, MISO, and SCLK pins.

### 9.1 Regulation Register Map

#### 9.1.1 0x00 - RESERVED

Bit	Name	R/W	Description	Default
7:4	Reserved	RO		0x0
3:0	Reserved	RW		0x0

#### 9.1.2 0x01 - IO\_CHIPNAME\_REGU

Bit	Name	R/W	Description	Default
7:0	IO_CHIPNAME	RO	Chip Name, Set by Renesas in metal 0x01: RAA271000	0x01

#### 9.1.3 0x02 - IO\_CHIPVERSION\_REGU

Bit	Name	R/W	Description	Default
7:0	IO_CHIPVERSION	RO	Chip Version, Set by Renesas in metal 0x01: RAA271000	0x01

#### 9.1.4 0x03 - IO\_DIEID3\_REGU

Bit	Name	R/W	Description	Default
7:0	IO_DIEID3	RO	Byte 3 of Die ID set by Renesas	0xFE

#### 9.1.5 0x04 - IO\_DIEID2\_REGU

Bit	Name	R/W	Description	Default
7:0	IO_DIEID2	RO	Byte 2 of Die ID set by Renesas	0xDC

#### 9.1.6 0x05 - IO\_DIEID1\_REGU

Bit	Name	R/W	Description	Default
7:0	IO_DIEID1	RO	Byte 1 of Die ID set by Renesas	0xBA

### 9.1.7 0x06 - IO\_DIEID0\_REGU

Bit	Name	R/W	Description	Default
7:0	IO_DIEID0	RO	Byte 0 of Die ID set by Renesas	0x98

### 9.1.8 0x0A - OTP\_VERSION\_REGU

Bit	Name	R/W	Description	Default
7:0	OTP_VERSION	RO	OTP version for registers	0x01

### 9.1.9 0x0B - RESERVED

Bit	Name	R/W	Description	Default
7:0	Reserved	RO		0x00

### 9.1.10 0x0C - RESERVED

Bit	Name	R/W	Description	Default
7:0	Reserved	RW		0x00

### 9.1.11 0x0D - RESERVED

Bit	Name	R/W	Description	Default
7:0	Reserved	RO		0x00

### 9.1.12 0x0E - OTP\_CALCCRCMSB\_REGU

Bit	Name	R/W	Description	Default
7:0	OTP_CALCCRCMSB	RO	Upper byte of calculated CRC	0x00

### 9.1.13 0x0F - OTP\_CALCCRCLSB\_REGU

Bit	Name	R/W	Description	Default
7:0	OTP_CALCCRCLSB	RO	Lower byte of calculated CRC	0x00

### 9.1.14 0x10 - OTP\_RWADDR\_REGU

Bit	Name	R/W	Description	Default
7	OTP_CRC_FAULT	RO	OTP download CRC fail 0x1: CRC fail on OTP download 0x0: CRC pass on OTP download	0x0
6	Reserved	RO		0x0
5:4	Reserved	RW		0x0
3:0	Reserved	RW		0x0

### 9.1.15 0x11 - RESERVED

Bit	Name	R/W	Description	Default
7:0	Reserved	RW		0x00

### 9.1.16 0x12 - OTP\_CRCMSB\_REGU

Bit	Name	R/W	Description	Default
7:0	OTP_CRCMSB	RO		0x00

### 9.1.17 0x13 - OTP\_CRCLSB\_REGU

Bit	Name	R/W	Description	Default
7:0	OTP_CRCLSB	RO		0x00

### 9.1.18 0x22 - IO\_MODECTRL\_REGU

Bit	Name	R/W	Description	Default
7	IO_BUCK1_EN	RW	Enable for BUCK1 0x0: Buck1 Disabled 0x1: Buck1 Enabled	0x1
6	IO_BUCK2_EN	RW	Enable for BUCK2 0x0: Buck2 Disabled 0x1: Buck2 Enabled	0x1
5	IO_BUCK3_EN	RW	Enable for BUCK3 0x0: Buck3 Disabled 0x1: Buck3 Enabled	0x1
4	IO_BUCK4_EN	RW	Enable for BUCK4 0x0: Buck4 Disabled 0x1: Buck4 Enabled	0x1
3	IO_BUCK5_EN	RW	Enable for BUCK5 0x0: Buck5 Disabled 0x1: Buck5 Enabled	0x1
2	IO_LDO1_EN	RW	Enable for LDO1 0x0: LDO1 Disabled 0x1: LDO1 Enabled	0x1
1	IO_LDO2_EN	RW	Enable for LDO1 0x0: LDO1 Disabled 0x1: LDO1 Enabled	0x1
0	IO_REGVALID	RW	0x0: OTP not programmed or OTP read failed CRC All Registers set to POR values Buck is not allowed to power up even if BUCK[5:1]_EN[0] = 1 0x1: OTP read successful Registers set to OTP values Buck is allowed to power up if BUCK[5:1]_EN = 1	0x0

### 9.1.19 0x23 - CHIPSTATUS

Bit	Name	R/W	Description	Default
7	BG_BANDGAPOK	RO	Bandgap State 0x0: Bandgap outside of range 0x1: Bandgap operating in proper range	0x0
6	INTLDO_VDDOK	RO	VDD State (for both Analog and Digital LDO's and VBAT) 0x0: VBAT or Internal LDOs (Analog or Digital) outside of range 0x1: VBAT and Internal LDOs (Analog and Digital) operating properly	0x0
5:0	READONLY_RSVD	RO		0x00

### 9.1.20 0x24 - CHIPTSTATE\_DCM

Bit	Name	R/W	Description	Default
7:5	Reserved	RO		0x0
4	BUCK1_DCMSTATE	RO		0x0
3	BUCK2_DCMSTATE	RO		0x0
2	BUCK3_DCMSTATE	RO		0x0
1	BUCK4_DCMSTATE	RO		0x0
0	BUCK5_DCMSTATE	RO		0x0

### 9.1.21 0x25 - CHIPTSTATE\_PGOOD

Bit	Name	R/W	Description	Default
7	Reserved	RO		0x0
6	LDO1_PGOODSTATE	RO	LDO1 Power-Good State 0x1: LDO1 is not undervoltage after soft start completes	0x0
5	LDO2_PGOODSTATE	RO	LDO2 Power-Good State 0x1: LDO2 is not undervoltage after soft start completes	0x0
4	BUCK1_PGOODSTATE	RO	BUCK1 Power-Good State 0x1: Buck1 has completed ramping to its target voltage	0x0
3	BUCK2_PGOODSTATE	RO	BUCK2 Power-Good State 0x1: Buck2 has completed ramping to its target voltage	0x0
2	BUCK3_PGOODSTATE	RO	BUCK3 Power-Good State 0x1: Buck3 has completed ramping to its target voltage	0x0
1	BUCK4_PGOODSTATE	RO	BUCK4 Power-Good State 0x1: Buck4 has completed ramping to its target voltage	0x0
0	BUCK5_PGOODSTATE	RO	BUCK5 Power-Good State 0x1: Buck5 has completed ramping to its target voltage	0x0

## 9.1.22 0x30 - FLT\_MASK\_OTP

Bit	Name	R/W	Description	Default
7	Reserved	RW	Mask INT for OTP PROG WARN (1 out of 4 bit failed) 0x0: Passed to output pin 0x1: Masked from output pin	0x0
6	Reserved	RW	Mask INT for OTP PROG ADDR failure 0x0: Passed to output pin 0x1: Masked from output pin	0x0
5	Reserved	RW	Mask INT for OTP PROG failure 0x0: Passed to output pin 0x1: Masked from output pin	0x0
4	FLT_MASKOTPINIT	RW	Mask INT for OTP INIT failure 0x0: Passed to output pin 0x1: Masked from output pin	0x0
3	FLT_MASKOTPCRCPAGE2	RW	Mask INT for OTP CRC Page 2 failure 0x0: Passed to output pin 0x1: Masked from output pin	0x0
2	FLT_MASKOTPCRCPAGE01	RW	Mask INT for OTP CRC Page 0 failure 0x0: Passed to output pin 0x1: Masked from output pin	0x0
1	FLT_MASKOTPTIMEOUT	RW	Mask INT for FLT_OTPTIMEOUT[0] Fault 0x0: Passed to output pin 0x1: Masked from output pin	0x0
0	FLT_MASKOTPNOTPGMD	RW	Mask INT for FLT_OTPNOTPGMD[0] 0x0: Passed to output pin 0x1: Masked from output pin	0x0

## 9.1.23 0x31 - FLT\_MASK\_TEMP

Bit	Name	R/W	Description	Default
7	FLT_MASKBOOT	RW	Mask INT for FLT_BOOT[0] 0x0: Passed to output pin 0x1: Masked from output pin	0x0
6:2	Reserved	RO		0x00
1	FLT_MASKTEMPSDR	RW	Mask INT for FLT_TEMPSDR[0] 0x0: Passed to output pin 0x1: Masked from output pin	0x0
0	FLT_MASKTEMPSDF	RW	Mask INT for FLT_TEMPSDF[0] 0x0: Passed to output pin 0x1: Masked from output pin	0x0

## 9.1.24 0x32 - FLT\_MASK\_BUCK1

Bit	Name	R/W	Description	Default
7:6	Reserved	RO		0x0
5	FLT_MASK_BUCK1_BOOTUV	RW	Mask INT for FLT_BUCK1_BOOTUV[0] 0x0: Passed to output pin 0x1: Masked from output pin	0x0
4	FLT_MASK_BUCK1_LSWUC	RW	Mask INT for FLT_BUCK1_LSWUC[0] 0x0: Passed to output pin 0x1: Masked from output pin	0x0
3	FLT_MASK_BUCK1_LSWOC	RW	Mask INT for FLT_BUCK1_LSWOC[0] 0x0: Passed to output pin 0x1: Masked from output pin	0x1
2	FLT_MASK_BUCK1_HSWOC	RW	Mask INT for FLT_BUCK1_HSWOC[0] 0x0: Passed to output pin 0x1: Masked from output pin	0x0
1	FLT_MASK_BUCK1_OV	RW	Mask INT for FLT_BUCK1_OV[0] 0x0: Passed to output pin 0x1: Masked from output pin	0x0
0	FLT_MASK_BUCK1_UV	RW	Mask INT for FLT_BUCK1_UV[0] 0x0: Passed to output pin 0x1: Masked from output pin	0x0

## 9.1.25 0x33 - FLT\_MASK\_BUCK2

Bit	Name	R/W	Description	Default
7:5	Reserved	RO		0x0
4	FLT_MASK_BUCK2_LSWUC	RW	Mask INT for FLT_BUCK2_LSWUC[0] 0x0: Passed to output pin 0x1: Masked from output pin	0x0
3	FLT_MASK_BUCK2_LSWOC	RW	Mask INT for FLT_BUCK2_LSWOC[0] 0x0: Passed to output pin 0x1: Masked from output pin	0x1
2	FLT_MASK_BUCK2_HSWOC	RW	Mask INT for FLT_BUCK2_HSWOC[0] 0x0: Passed to output pin 0x1: Masked from output pin	0x0
1	FLT_MASK_BUCK2_OV	RW	Mask INT for FLT_BUCK2_OV[0] 0x0: Passed to output pin 0x1: Masked from output pin	0x0
0	FLT_MASK_BUCK2_UV	RW	Mask INT for FLT_BUCK2_UV[0] 0x0: Passed to output pin 0x1: Masked from output pin	0x0

**9.1.26 0x34 - FLT\_MASK\_BUCK3**

Bit	Name	R/W	Description	Default
7:5	Reserved	RO		0x0
4	FLT_MASK_BUCK3_LSWUC	RW	Mask INT for FLT_BUCK3_LSWUC[0] 0x0: Passed to output pin 0x1: Masked from output pin	0x0
3	FLT_MASK_BUCK3_LSWOC	RW	Mask INT for FLT_BUCK3_LSWOC[0] 0x0: Passed to output pin 0x1: Masked from output pin	0x1
2	FLT_MASK_BUCK3_HSWOC	RW	Mask INT for FLT_BUCK3_HSWOC[0] 0x0: Passed to output pin 0x1: Masked from output pin	0x0
1	FLT_MASK_BUCK3_OV	RW	Mask INT for FLT_BUCK3_OV[0] 0x0: Passed to output pin 0x1: Masked from output pin	0x0
0	FLT_MASK_BUCK3_UV	RW	Mask INT for FLT_BUCK3_UV[0] 0x0: Passed to output pin 0x1: Masked from output pin	0x0

**9.1.27 0x35 - FLT\_MASK\_BUCK4**

Bit	Name	R/W	Description	Default
7:6	Reserved	RO		0x0
5	FLT_MASK_BUCK4_PVIN_OK	RW	Mask INT for FLT_BUCK4_PVIN_OK[0] 0x0: Passed to output pin 0x1: Masked from output pin	0x0
4	FLT_MASK_BUCK4_LSWUC	RW	Mask INT for FLT_BUCK4_LSWUC[0] 0x0: Passed to output pin 0x1: Masked from output pin	0x0
3	FLT_MASK_BUCK4_LSWOC	RW	Mask INT for FLT_BUCK4_LSWOC[0] 0x0: Passed to output pin 0x1: Masked from output pin	0x1
2	FLT_MASK_BUCK4_HSWOC	RW	Mask INT for FLT_BUCK4_HSWOC[0] 0x0: Passed to output pin 0x1: Masked from output pin	0x0
1	FLT_MASK_BUCK4_OV	RW	Mask INT for FLT_BUCK4_OV[0] 0x0: Passed to output pin 0x1: Masked from output pin	0x0
0	FLT_MASK_BUCK4_UV	RW	Mask INT for FLT_BUCK4_UV[0] 0x0: Passed to output pin 0x1: Masked from output pin	0x0

## 9.1.28 0x36 - FLT\_MASK\_BUCK5

Bit	Name	R/W	Description	Default
7:5	Reserved	RO		0x0
4	FLT_MASK_BUCK5_LSWUC	RW	Mask INT for FLT_BUCK5_LSWUC[0] 0x0: Passed to output pin 0x1: Masked from output pin	0x0
3	FLT_MASK_BUCK5_LSWOC	RW	Mask INT for FLT_BUCK5_LSWOC[0] 0x0: Passed to output pin 0x1: Masked from output pin	0x1
2	FLT_MASK_BUCK5_HSWOC	RW	Mask INT for FLT_BUCK5_HSWOC[0] 0x0: Passed to output pin 0x1: Masked from output pin	0x0
1	FLT_MASK_BUCK5_OV	RW	Mask INT for FLT_BUCK5_OV[0] 0x0: Passed to output pin 0x1: Masked from output pin	0x0
0	FLT_MASK_BUCK5_UV	RW	Mask INT for FLT_BUCK5_UV[0] 0x0: Passed to output pin 0x1: Masked from output pin	0x0

## 9.1.29 0x37 - FLT\_MASK\_LDO

Bit	Name	R/W	Description	Default
7:2	Reserved	RO		0x00
1	FLT_MASK_LDO2_UV	RW	Mask INT for FLT_LDO2_UV 0x0: Passed to output pin 0x1: Masked from output pin	0x0
0	FLT_MASK_LDO1_UV	RW	Mask INT for FLT_LDO1_UV 0x0: Passed to output pin 0x1: Masked from output pin	0x0

## 9.1.30 0x38 - FLT\_MASK\_IF

Bit	Name	R/W	Description	Default
7:3	Reserved	RO		0x00
2	FLT_MASK_VBAT_OV	RW	Mask INT for FLT_VBAT_OV 0x0: Passed to output pin 0x1: Masked from output pin	0x0
1	FLT_MASK_SPI	RW	Mask INT for FLT_SPI 0x0: Passed to output pin 0x1: Masked from output pin	0x0
0	FLT_MASK_I2C	RW	Mask INT for FLT_I2C 0x0: Passed to output pin 0x1: Masked from output pin	0x0



## 9.1.31 0x040 - FLT\_RECORD\_OTP

Bit	Name	R/W	Description	Default
7	FLT_OTPPROGWARN	RW	OTP Program Warning that one of the four bits in different/redundant programming mode failed 0x0: All four bits programmed correctly 0x1: One out of four bits programmed incorrectly but overall bit is correct Read returns status. Write 0 to clear.	0x0
6	FLT_OTPPROGADDR	RW	OTP PROG ADDR failure 0x0: Programming address is in the correct range 0x1: Programming address is out of acceptable range Read returns status. Write 0 to clear.	0x0
5	FLT_OTPPROG	RW	OTP PROG failure 0x0: Programming passed 0x1: Programming failed Read returns status. Write 0 to clear.	0x0
4	FLT_OTPINIT	RW	OTP INIT failure 0x0: Read Initialization passed 0x1: Read Initialization failed Read returns status. Write 0 to clear.	0x0
3	FLT_OTPCRCPAGE2	RW	OTP CRC failure 0x0: No OTP Failure 0x1: OTP CRC Failure Read returns status. Write 0 to clear.	0x0
2	FLT_OTPCRCPAGE01	RW	OTP CRC failure 0x0: No OTP Failure 0x1: OTP CRC Failure Read returns status. Write 0 to clear.	0x0
1	FLT_OTPTIMEOUT	RW	OTP Read Duration Fault 0x0: No OTP Read Duration Fault 0x1: OTP Read Duration $\geq 256 \times$ Low Freq Clock Periods (~8ms) Read returns status. Write 0 to clear.	0x0
0	FLT_OTPNOTPGMD	RW	Read of OTP to see if OTP has been programmed 0x0: No fault 0x1: Fault Read returns status. Write 0 to clear.	0x0

## 9.1.32 0x41 - FLT\_RECORD\_TEMP

Bit	Name	R/W	Description	Default
7	FLT_BOOT	RW	BOOT occurred 0x0: No boot process has occurred since the last time this register was read 0x1: Boot process has occurred (set high after OTP Read is finished) Read returns status. Write 0 to clear.	0x0
6:2	Reserved	RO		0x00
1	FLT_TEMPSTR	RW	Over-Temperature (OT) Shutdown (rising threshold) 0x0: No fault, Less than threshold 0x1: Fault, greater than threshold Read returns status. Write 0 to clear.	0x0
0	FLT_TEMPSTR	RW	Over-Temperature (OT) Shutdown (falling edge) (Shutdown – Hysteresis) 0x0: No fault, Less than threshold 0x1: Fault, greater than threshold Read returns status. Write 0 to clear.	0x0

## 9.1.33 0x42 - FLT\_RECORD\_BUCK1

Bit	Name	R/W	Description	Default
7:6	Reserved	RO		0x0
5	FLT_BUCK1_BOOTUV	RW	Boot Undervoltage (BOOTUV) for BUCK1 0x0: No fault, Less than threshold 0x1: Fault, greater than threshold Read returns status. Write 0 to clear.	0x0
4	FLT_BUCK1_LSWUC	RW	LS Way Undercurrent (WOC) for BUCK1 0x0: No fault, Less than threshold 0x1: Fault, greater than threshold Read returns status. Write 0 to clear.	0x0
3	Reserved	RW		0x0
2	FLT_BUCK1_HSWOC	RW	HS Way Overcurrent (WOC) for BUCK1 0x0: No fault, Less than threshold 0x1: Fault, greater than threshold Read returns status. Write 0 to clear.	0x0
1	FLT_BUCK1_OV	RW	Overvoltage (OV) for BUCK1 0x0: No fault, Less than threshold 0x1: Fault, greater than threshold Read returns status. Write 0 to clear.	0x0
0	FLT_BUCK1_UV	RW	Undervoltage (UV) for BUCK1 0x0: No fault, greater than threshold 0x1: Fault, less than threshold Read returns status. Write 0 to clear.	0x0

## 9.1.34 0x43 - FLT\_RECORD\_BUCK2

Bit	Name	R/W	Description	Default
7:5	Reserved	RO		0x0
4	FLT_BUCK2_LSWUC	RW	LS Way Undercurrent (WOC) for BUCK2 0x0: No fault, Less than threshold 0x1: Fault, greater than threshold Read returns status. Write 0 to clear.	0x0
3	Reserved	RW		0x0
2	FLT_BUCK2_HSWOC	RW	HS Way Overcurrent (WOC) for BUCK2 0x0: No fault, Less than threshold 0x1: Fault, greater than threshold Read returns status. Write 0 to clear.	0x0
1	FLT_BUCK2_OV	RW	Overvoltage (OV) for BUCK2 0x0: No fault, Less than threshold 0x1: Fault, greater than threshold Read returns status. Write 0 to clear.	0x0
0	FLT_BUCK2_UV	RW	Undervoltage (UV) for BUCK2 0x0: No fault, greater than threshold 0x1: Fault, less than threshold Read returns status. Write 0 to clear.	0x0

## 9.1.35 0x44 - FLT\_RECORD\_BUCK3

Bit	Name	R/W	Description	Default
7:5	Reserved	RO		0x0
4	FLT_BUCK3_LSWUC	RW	LS Way Undercurrent (WOC) for BUCK3 0x0: No fault, Less than threshold 0x1: Fault, greater than threshold Read returns status. Write 0 to clear.	0x0
3	Reserved	RW		0x0
2	FLT_BUCK3_HSWOC	RW	HS Way Overcurrent (WOC) for BUCK3 0x0: No fault, Less than threshold 0x1: Fault, greater than threshold Read returns status. Write 0 to clear.	0x0
1	FLT_BUCK3_OV	RW	Overvoltage (OV) for BUCK3 0x0: No fault, Less than threshold 0x1: Fault, greater than threshold Read returns status. Write 0 to clear.	0x0
0	FLT_BUCK3_UV	RW	Undervoltage (UV) for BUCK3 0x0: No fault, greater than threshold 0x1: Fault, less than threshold Read returns status. Write 0 to clear.	0x0

## 9.1.36 0x45 - FLT\_RECORD\_BUCK4

Bit	Name	R/W	Description	Default
7:6	Reserved	RO		0x0
5	FLT_BUCK4_PVIN4_OK	RW	PVIN4_OK for BUCK4 0x0: No fault, greater than threshold 0x1: Fault, less than threshold Read returns status. Write 0 to clear.	0x0
4	FLT_BUCK4_LSWUC	RW	LS Way Undercurrent (WOC) for BUCK4 0x0: No fault, Less than threshold 0x1: Fault, greater than threshold Read returns status. Write 0 to clear.	0x0
3	Reserved	RW		0x0
2	FLT_BUCK4_HSWOC	RW	Way Overcurrent (WOC) for BUCK4 0x0: No fault, Less than threshold 0x1: Fault, greater than threshold Read returns status. Write 0 to clear.	0x0
1	FLT_BUCK4_OV	RW	Overvoltage (OV) for BUCK4 0x0: No fault, Less than threshold 0x1: Fault, greater than threshold Read returns status. Write 0 to clear.	0x0
0	FLT_BUCK4_UV	RW	Undervoltage (UV) for BUCK4 0x0: No fault, greater than threshold 0x1: Fault, less than threshold Read returns status. Write 0 to clear.	0x0

## 9.1.37 0x46 - FLT\_RECORD\_BUCK5

Bit	Name	R/W	Description	Default
7:5	Reserved	RO		0x0
4	FLT_BUCK5_LSWUC	RW	LS Way Undercurrent (WOC) for BUCK5 0x0: No fault, Less than threshold 0x1: Fault, greater than threshold Read returns status. Write 0 to clear.	0x0
3	Reserved	RW		0x0
2	FLT_BUCK5_HSWOC	RW	Way Overcurrent (WOC) for BUCK5 0x0: No fault, Less than threshold 0x1: Fault, greater than threshold Read returns status. Write 0 to clear.	0x0
1	FLT_BUCK5_OV	RW	Overvoltage (OV) for BUCK5 0x0: No fault, Less than threshold 0x1: Fault, greater than threshold Read returns status. Write 0 to clear.	0x0
0	FLT_BUCK5_UV	RW	Undervoltage (UV) for BUCK5 0x0: No fault, greater than threshold 0x1: Fault, less than threshold Read returns status. Write 0 to clear.	0x0

**9.1.38 0x47 - FLT\_RECORD\_LDO**

Bit	Name	R/W	Description	Default
7:2	Reserved	RO		0x00
1	FLT_LDO2_UV	RW	Undervoltage (UV) for LDO2 0x0: No fault, greater than threshold 0x1: Fault, less than threshold Read returns status. Write 0 to clear.	0x0
0	FLT_LDO1_UV	RW	Undervoltage (UV) for LDO1 0x0: No fault, greater than threshold 0x1: Fault, less than threshold Read returns status. Write 0 to clear.	0x0

**9.1.39 0x48 - FLT\_RECORD\_IF**

Bit	Name	R/W	Description	Default
7:3	Reserved	RO		0x00
2	FLT_VBAT_OV	RW	VBAT Overvoltage 0x0: No fault, greater than threshold 0x1: Fault, less than threshold Read returns status. Write 0 to clear.	0x0
1	FLT_SPI	RW	SPI CRC error 0x0: No fault detected 0x1: Fault detected Read returns status. Write 0 to clear.	0x0
0	FLT_I2C	RW	I2C CRC error 0x0: No fault detected 0x1: Fault detected Read returns status. Write 0 to clear.	0x0

**9.1.40 0x50 - IO\_GP2CFGMSB**

Bit	Name	R/W	Description	Default
7:5	Reserved	RW		0x0
4	Reserved	RW		0x0
3:2	IO_GP2PULLUPDOWN	RW	Selects the pull up on Pin GPIO13 0x0: No pull up or pull down 0x1: Pull Down of 10µA/180kΩ 0x2: Pull Up of 30µA/60kΩ 0x3: Pull Up of 1µA/1.8MΩ	0x0
1:0	IO_GP2DRIVE	RW	Selects output drive strength of Pin GPIO13 The peak current level depends on the supply 0x0: Min (20% of Max) 0x1: 50% of Max 0x2: 80% of Max 0x3: Max	0x0

### 9.1.41 0x51 - IO\_GP2CFGLSB

Bit	Name	R/W	Description	Default
7	IO_GP2DIGDIRECTION	RW	Digital Data Direction of GPIO13 0x0: Output I/O acts like an output pad 0x1: Input Output devices are turned off and pin functions as an input	0x1
6	IO_GP2OPENDRAIN	RW	Modifies Digital Output Mode of GPIO13 0x0: Configure as a CMOS output buffer 0x1: Configure as an open-drain output with any pull-up or pull-down set by IO_GP2PullUpDown[1:0]	0x0
5	IO_GP2INVERT	RW	Polarity Control for input and Output of GPIO13 0x0: Noninverting buffers are used on both the input and the output 0x1: Inverting buffers are used on both the input and the output	0x0
4	Reserved	RW		0x0
3	Reserved	RW		0x0
2	SSP2_LOCK	RW		0x1
1	SSP2_ASSERT	RW		0x0
0	Reserved	RO		0x0

### 9.1.42 0x52 - IO\_GP3CFGMSB

Bit	Name	R/W	Description	Default
7:5	Reserved	RW		0x0
4	Reserved	RW		0x0
3:2	IO_GP3PULLUPDOWN	RW	Selects the pull up on Pin GPIO14 0x0: No pull-up or pull-down 0x1: Pull-down of 10μA/180kΩ 0x2: Pull-up of 30μA/60kΩ 0x3: Pull-up of 1μA/1.8MΩ	0x0
1:0	IO_GP3DRIVE	RW	Selects output drive strength of Pin GPIO14 The peak current level depends on the supply 0x0: Min (20% of Max) 0x1: 50% of Max 0x2: 80% of Max 0x3: Max	0x0

**9.1.43 0x53 - IO\_GP3CFGLSB**

Bit	Name	R/W	Description	Default
7	IO_GP3DIGDIRECTION	RW	Digital Data Direction for GPIO14 0x0: Output I/O acts like an output pad 0x1: Input Output devices are turned off and pin functions as an input	0x1
6	IO_GP3OPENDRAIN	RW	Modifies Digital Output Mode of GPIO14 0x0: Configure as a CMOS output buffer 0x1: Configure as an open-drain output with any pull-up or pull-down set by IO_GP3PullUpDown[1:0]	0x0
5	IO_GP3INVERT	RW	Polarity Control for input and Output of GPIO14 0x0: Noninverting buffers are used on both the input and the output 0x1: Inverting buffers are used on both the input and the output	0x0
4	Reserved	RW		0x0
3	Reserved	RW		0x0
2:0	Reserved	RO		0x0

**9.1.44 0x54 - IO\_GPIO\_DATA**

Bit	Name	R/W	Description	Default
7:6	Reserved	RO		0x0
5:4	IO_GPIO_DATAIN	RO	2-bit GPIO data inputs written through the GPIO and stored in register for Software Read The IO_GPxCFGxSB need to be configured accordingly. IO_GPxDIGDIRECTION should be set to input (0x1)	0x0
3:2	Reserved	RO		0x0
1:0	IO_GPIO_DATAOUT	RW	2-bit GPIO data outputs for software to control devices in the system. The IO_GPxCFGxSB need to be configured accordingly. IO_GPxDIGDIRECTION should be set to Output (0x0)	0x0

**9.1.45 0x58 - LOCK\_OUT\_CFG**

Bit	Name	R/W	Description	Default
7:0	LOCK_OUT_CFG	RW		0x00

**9.1.46 0x60 - RESERVED**

Bit	Name	R/W	Description	Default
7:0	Reserved	RW		0x00

**9.1.47 0x61 - RESERVED**

Bit	Name	R/W	Description	Default
7:0	Reserved	RW		0x00

**9.1.48 0x62 - RESERVED**

Bit	Name	R/W	Description	Default
7:0	Reserved	RW		0x00

**9.1.49 0x63 - RESERVED**

Bit	Name	R/W	Description	Default
7:0	Reserved	RW		0x00

**9.1.50 0x68 - RESERVED**

Bit	Name	R/W	Description	Default
7:0	Reserved	RW		0x00

**9.1.51 0x69 - RESERVED**

Bit	Name	R/W	Description	Default
7:0	Reserved	RW		0x00

**9.1.52 0x6A - RESERVED**

Bit	Name	R/W	Description	Default
7:0	Reserved	RW		0x00

**9.1.53 0x6B - RESERVED**

Bit	Name	R/W	Description	Default
7:0	Reserved	RW		0x00

**9.1.54 0x70 - BUCK1\_DVS0CFG1**

Bit	Name	R/W	Description	Default
7:0	BUCK1_DVS0VOUT92	RW	Upper eight bits of 10-bit DAC[9:0] value to generate Buck1 $V_{OUT}$ for DVS configuration 0 $V_{OUT} (V) = (1.2V / FBDIV) * (DAC[9:0] / 210)$ FBDIV is from BUCK_VOUTFBDIV[1:0] = (1.0, 0.8, 0.6, 0.5) <b>Note:</b> $V_{OUT}$ must be programmed between 0.3V and 3.3V For more details on output voltage selection, see <a href="#">Buck Output Voltage Selection</a>	0xD7



9.1.55 0x71 - BUCK1\_DVS0CFG0

Bit	Name	R/W	Description	Default
7:6	BUCK1_DVS0VOUT10	RW	Lower two bits of 10-bit DAC[9:0] value to generate Buck1 V <sub>OUT</sub> for DVS config 0 For more details on output voltage selection, see <a href="#">Buck Output Voltage Selection</a>	0x3
5	BUCK1_DVS0DECAY	RW	Buck1 DECAY setting 0x0: Active pull-down, decay determined by selected slew rate 0x1: Decay Mode (load determines slew rate)	0x0
4:1	Reserved	RO		0x0
0	Reserved	RW		0x0

9.1.56 0x72 - BUCK1\_DVS1CFG1

Bit	Name	R/W	Description	Default
7:0	BUCK1_DVS1VOUT92	RW	Upper eight bits of 10-bit DAC[9:0] value to generate Buck1 V <sub>OUT</sub> for DVS configuration 1 $V_{OUT} (V) = (1.2V / FBDIV) * (DAC[9:0] / 210)$ FBDIV is from BUCK_VOUTFBDIV[1:0] = (1.0, 0.8, 0.6, 0.5) <b>Note:</b> V <sub>OUT</sub> must be programmed between 0.3V and 3.3V For more details on output voltage selection, see <a href="#">Buck Output Voltage Selection</a>	0xAD

9.1.57 0x73 - BUCK1\_DVS1CFG0

Bit	Name	R/W	Description	Default
7:6	BUCK1_DVS1VOUT10	RW	Lower two bits of 10-bit DAC[9:0] value to generate Buck1 V <sub>OUT</sub> for DVS configuration 1 For more details on output voltage selection, see <a href="#">Buck Output Voltage Selection</a>	0x3
5	BUCK1_DVS1DECAY	RW	Buck DECAY for DVS Config 1 0x0: Active pull-down, decay determined by selected slew rate 0x1: Decay Mode (load determines slew rate)	0x0
4:1	Reserved	RO		0x0
0	Reserved	RW		0x0

9.1.58 0x74 - BUCK1\_DVSCFG

Bit	Name	R/W	Description	Default
7:5	Reserved	RO		0x0
4	BUCK1_PGOODDAC0V	RW	Power-Good State when BUCK1 DAC is set to 0V 0x0: BUCK1_PGOOD is set low when DAC is set to 0V 0x1: BUCK1_PGOOD is allowed to stay high when DAC is set to 0V	0x0
3:2	BUCK1_PGOODDELAY	RW	Delay before PGOOD signal is set (no delay when cleared) Delay = BUCK1_PGOODDELAY[1:0] (32kHz # of Clocks) 0x0: 0µs (0) 0x1: 125µs (4) 0x2: 375µs (12) 0x3: 1000µs (32)	0x0
1:0	Reserved	RO		0x0

9.1.59 0x75 - BUCK1\_DVSSEL

Bit	Name	R/W	Description	Default
7:2	Reserved	RO		0x00
1	BUCK1_DVSCTRL	RW	BUCK1 DVS Control 0x0: Use BUCK_DVSSELECT[0] to select active DVS configuration 0x1: Use DVS Pin to control DVS selection	0x0
0	BUCK1_DVSSELECT	RW	BUCK DVS Selection 0x0: Use DVS Config 0 in BUCK_DVS0CFG and BUCK_DVS0VOUT 0x1: Use DVS Config 1 in BUCK_DVS1CFG and BUCK_DVS1VOUT <b>Note:</b> When BUCK_DVSCTRL[0] = 0x0 any write to the register BUCK_DVSSEL causes a DVS ramping event to occur	0x0

9.1.60 0x76 - BUCK1\_EN\_DLY

Bit	Name	R/W	Description	Default
7:6	Reserved	RO		0x0
5:0	BUCK1_EN_DLY	RW	Delay time from EN pin and IO_REGVAID go high to internal BUCK_en control asserted. Delay = (integer value of register) ms [1.07ms/LSB]	0x00

9.1.61 0x77 - BUCK1\_SHUTDOWN\_DLY

Bit	Name	R/W	Description	Default
7:6	Reserved	RO		0x0
5:0	BUCK1_SHUTDOWN_DLY	RW	Delay time from EN pin or IO_REGVAID go low to internal BUCK_en control de-asserted. Delay = (integer value of register) ms [1.07ms/LSB]	0x00

9.1.62 0x80 - BUCK2\_DVS0CFG1

Bit	Name	R/W	Description	Default
7:0	BUCK2_DVS0VOUT92	RW	Upper eight bits of 10-bit DAC[9:0] value to generate Buck2 $V_{OUT}$ $V_{OUT} (V) = (1.2V / FBDIV) * (DAC[9:0] / 210)$ FBDIV is from BUCK_VOUTFBDIV[1:0] = (1.0, 0.8, 0.6, 0.5) <b>Note:</b> $V_{OUT}$ must be programmed between 0.3V and 3.3V For more details on output voltage selection, see <a href="#">Buck Output Voltage Selection</a>	0xFF

9.1.63 0x81 - BUCK2\_DVS0CFG0

Bit	Name	R/W	Description	Default
7:6	BUCK2_DVS0VOUT10	RW	Lower two bits of 10-bit DAC[9:0] value to generate Buck2 $V_{OUT}$ . For more details on output voltage selection, see <a href="#">Buck Output Voltage Selection</a>	0x3
5	BUCK2_DVS0DECAY	RW	Buck2 DECAY 0x0: Active pull-down, decay determined by selected slew rate 0x1: Decay Mode (load determines slew rate)	0x0
4:1	Reserved	RO		0x0
0	Reserved	RW		0x0

9.1.64 0x82 - BUCK2\_DVSCFG

Bit	Name	R/W	Description	Default
7:5	Reserved	RO		0x0
4	BUCK2_PGOODDAC0V	RW	Power-Good State when BUCK2 DAC is set to 0V 0x0: BUCK_PGOOD is set low when DAC is set to 0V 0x1: BUCK_PGOOD is allowed to stay high when DAC is set to 0V	0x0
3:2	BUCK2_PGOODDELAY	RW	Delay before PGOOD signal is set (no delay when cleared) Delay = BUCK_PGOODDELAY[1:0] (32kHz # of Clocks) 0x0: 0 $\mu$ s (0) 0x1: 125 $\mu$ s (4) 0x2: 375 $\mu$ s (12) 0x3: 1000 $\mu$ s (32)	0x0
1:0	Reserved	RO		0x0

9.1.65 0x86 - BUCK2\_EN\_DLY

Bit	Name	R/W	Description	Default
7:6	Reserved	RO		0x0
5:0	BUCK2_EN_DLY	RW	Delay time from EN pin and IO_REGVAID go high to internal BUCK_en control asserted. Delay = (integer value of register) ms [1.07ms/LSB]	0x00

9.1.66 0x87 - BUCK2\_SHUTDOWN\_DLY

Bit	Name	R/W	Description	Default
7:6	Reserved	RO		0x0
5:0	BUCK2_SHUTDOWN_DLY	RW	Delay time from BUCK_EN pin or IO_REGVAILD go low to internal BUCK_en control de-asserted. Delay = (integer value of register) ms [1.07ms/LSB]	0x00

9.1.67 0x90 - BUCK3\_DVS0CFG1

Bit	Name	R/W	Description	Default
7:0	BUCK3_DVS0VOUT92	RW	Upper eight bits of 10-bit DAC[9:0] value to generate Buck3 V <sub>OUT</sub> $V_{OUT} (V) = (1.2V / FBDIV) * (DAC[9:0] / 210)$ FBDIV is from BUCK_VOUTFBDIV[1:0] = (1.0, 0.8, 0.6, 0.5) <b>Note:</b> V <sub>OUT</sub> must be programmed between 0.3V and 3.3V For more details on output voltage selection, see <a href="#">Buck Output Voltage Selection</a>	0xFF

9.1.68 0x91 - BUCK3\_DVS0CFG0

Bit	Name	R/W	Description	Default
7:6	BUCK3_DVS0VOUT10	RW	Lower two bits of 10-bit DAC[9:0] value to generate Buck3 V <sub>OUT</sub> . For more details on output voltage selection, see <a href="#">Buck Output Voltage Selection</a>	0x3
5	BUCK3_DVS0DECAY	RW	Buck3 DECAY 0x0: Active pull-down, decay determined by selected slew rate 0x1: Decay Mode (load determines slew rate)	0x0
4:1	Reserved	RO		0x0
0	Reserved	RW		0x0

9.1.69 0x92 - BUCK3\_DVSCFG

Bit	Name	R/W	Description	Default
7:5	Reserved	RO		0x0
4	BUCK3_PGOODDAC0V	RW	Power-Good State when BUCK3 DAC is set to 0V 0x0: BUCK_PGOOD is set low when DAC is set to 0V 0x1: BUCK_PGOOD is allowed to stay high when DAC is set to 0V	0x0
3:2	BUCK3_PGOODDELAY	RW	Delay before PGOOD signal is set (no delay when cleared) Delay = BUCK_PGOODDELAY[1:0] (32kHz # of Clocks) 0x0: 0µs (0) 0x1: 125µs (4) 0x2: 375µs (12) 0x3: 1000µs (32)	0x0
1:0	Reserved	RO		0x0

**9.1.70 0x96 - BUCK3\_EN\_DLY**

Bit	Name	R/W	Description	Default
7:6	Reserved	RO		0x0
5:0	BUCK3_EN_DLY	RW	Delay time from BUCK_EN pin and IO_REGVAID go high to BUCK_en control asserted. Delay = (integer value of register) ms [1.07ms/LSB]	0x00

**9.1.71 0x97 - BUCK3\_SHUTDOWN\_DLY**

Bit	Name	R/W	Description	Default
7:6	Reserved	RO		0x0
5:0	BUCK3_SHUTDOWN_DLY	RW	Delay time from BUCK_EN pin or IO_REGVAID go low to BUCK_en control de-asserted. Delay = (integer value of register) ms [1.07ms/LSB]	0x00

**9.1.72 0xA0 - BUCK4\_DVS0CFG1**

Bit	Name	R/W	Description	Default
7:0	BUCK4_DVS0VOUT92	RW	Upper eight bits of 10-bit DAC[9:0] value to generate Buck3 V <sub>OUT</sub> $V_{OUT} (V) = (1.2V / FBDIV) * (DAC[9:0] / 210)$ FBDIV is from BUCK_VOUTFBDIV[1:0] = (1.0, 0.8, 0.6, 0.5) <b>Note:</b> V <sub>OUT</sub> must be programmed between 0.3V and 3.3V For more details on output voltage selection, see <a href="#">Buck Output Voltage Selection</a>	0xFF

**9.1.73 0xA1 - BUCK4\_DVS0CFG0**

Bit	Name	R/W	Description	Default
7:6	BUCK4_DVS0VOUT10	RW	Lower two bits of 10-bit DAC[9:0] value to generate Buck4 V <sub>OUT</sub> For more details on output voltage selection, see <a href="#">Buck Output Voltage Selection</a>	0x3
5	BUCK4_DVS0DECAY	RW	Buck4 DECAY 0x0: Active pull-down, decay determined by selected slew rate 0x1: Decay Mode (load determines slew rate)	0x0
4:1	Reserved	RO		0x0
0	Reserved	RW		0x0

**9.1.74 0xA2 - BUCK4\_DVSCFG**

Bit	Name	R/W	Description	Default
7:5	Reserved	RO		0x0
4	BUCK4_PGOODDAC0V	RW	Power-Good State when BUCK4 DAC is set to 0V 0x0: BUCK_PGOOD is set low when DAC is set to 0V 0x1: BUCK_PGOOD is allowed to stay high when DAC is set to 0V	0x0
3:2	BUCK4_PGOODDELAY	RW	Delay before PGOOD signal is set (no delay when cleared) Delay = BUCK_PGOODDELAY[1:0] (32kHz # of Clocks) 0x0: 0µs (0) 0x1: 125µs (4) 0x2: 375µs (12) 0x3: 1000µs (32)	0x0
1:0	Reserved	RO		0x0

**9.1.75 0xA6 - BUCK4\_EN\_DLY**

Bit	Name	R/W	Description	Default
7:6	Reserved	RO		0x0
5:0	BUCK4_EN_DLY	RW	Delay time from BUCK_EN pin and IO_REGVAID go high to internal BUCK_en control asserted. Delay = (integer value of register) ms [1.07ms/LSB]	0x00

**9.1.76 0xA7 - BUCK4\_SHUTDN\_DLY**

Bit	Name	R/W	Description	Default
7:6	Reserved	RO		0x0
5:0	BUCK4_SHUTDN_DLY	RW	Delay time from BUCK_EN pin or IO_REGVAID go low to internal BUCK_en control de-asserted. Delay = (integer value of register) ms [1.07ms/LSB]	0x00

**9.1.77 0xB0 - BUCK5\_DVS0CFG1**

Bit	Name	R/W	Description	Default
7:0	BUCK5_DVS0VOUT92	RW	Upper eight bits of 10-bit DAC[9:0] value to generate Buck5 V <sub>OUT</sub> $V_{OUT} (V) = (1.2V / FB DIV) * (DAC[9:0] / 210)$ FB DIV is from BUCK_VOUTFB DIV[1:0] = (1.0, 0.8, 0.6, 0.5) <b>Note:</b> V <sub>OUT</sub> must be programmed between 0.3V and 3.3V For more details on output voltage selection, see <a href="#">Buck Output Voltage Selection</a>	0xFF

## 9.1.78 0xB1 - BUCK5\_DVS0CFG0

Bit	Name	R/W	Description	Default
7:6	BUCK5_DVS0VOUT10	RW	Lower two bits of 10-bit DAC[9:0] value to generate Buck5 $V_{OUT}$ For more details on output voltage selection, see <a href="#">Buck Output Voltage Selection</a>	0x3
5	BUCK5_DVS0DECAY	RW	Buck5 DECAY 0x0: Active pull-down, decay determined by selected slew rate 0x1: Decay Mode (load determines slew rate)	0x0
4:1	Reserved	RO		0x0
0	Reserved	RW		0x0

## 9.1.79 0xB2 - BUCK5\_DVSCFG

Bit	Name	R/W	Description	Default
7:5	Reserved	RO		0x0
4	BUCK5_PGOODDAC0V	RW	Power-Good State when in BUCK DAC is set to 0V 0x0: BUCK_PGOOD is set low when DAC is set to 0V 0x1: BUCK_PGOOD is allowed to stay high when DAC is set to 0V	0x0
3:2	BUCK5_PGOODDELAY	RW	Delay before PGOOD signal is set (no delay when cleared) Delay = BUCK_PGOODDELAY[1:0] /32kHz # of Clocks 0x0: 0 $\mu$ s 0 0x1: 125 $\mu$ s 4 0x2: 375 $\mu$ s 12 0x3: 1000 $\mu$ s 32	0x0
1:0	Reserved	RO		0x0

## 9.1.80 0xB6 - BUCK5\_EN\_DLY

Bit	Name	R/W	Description	Default
7:6	Reserved	RO		0x0
5:0	BUCK5_EN_DLY	RW	Delay time from BUCK_EN pin and IO_REGVAID go high to internal BUCK_en control asserted. Delay = (integer value of register) ms [1.07ms/LSB]	0x00

## 9.1.81 0xB7 - BUCK5\_SHUTDN\_DLY

Bit	Name	R/W	Description	Default
7:6	Reserved	RO		0x0
5:0	BUCK5_SHUTDN_DLY	RW	Delay time from BUCK_EN pin or IO_REGVAID go low to internal BUCK_en control de-asserted. Delay = (integer value of register) ms [1.07ms/LSB]	0x00

**9.1.82 0xC0 - LDO1\_VOUT\_CORE**

Bit	Name	R/W	Description	Default
7:0	LDO1_VOUT_CORE	RW	8-bit DAC value for LDO1 output voltage selection. 1LSB = 15.4mV. For more information on LDO output voltage selection, see <a href="#">LDO Output Voltage</a>	0x4E

**9.1.83 0xC1 - LDO2\_VOUT\_CORE**

Bit	Name	R/W	Description	Default
7:0	LDO2_VOUT_CORE	RW	8-bit DAC value for LDO2 output voltage selection. 1LSB = 15.4mV. For more information on LDO output voltage selection, see <a href="#">LDO Output Voltage</a>	0x4E

**9.1.84 0xC2 - LDO\_EN**

Bit	Name	R/W	Description	Default
7	EN_LDO1_OC	RW	Overcurrent protection setting for LDO1 0x0: LDO1 overcurrent protection disabled 0x1: LDO1 overcurrent protection enabled	0x1
6	EN_LDO2_OC	RW	Overcurrent protection setting for LDO2 0x0: LDO2 overcurrent protection disabled 0x1: LDO2 overcurrent protection enabled	0x1
5:0	Reserved	RO		0x00

**9.1.85 0xC3 - LDO1\_EN\_DLY**

Bit	Name	R/W	Description	Default
7:6	Reserved	RO		0x0
5:0	LDO1_EN_DLY	RW	Delay time from LDO_EN pin and IO_REGVALID go high to internal LDO_en control asserted. Delay = (integer value of register) ms [1.07ms/LSB]	0x00

**9.1.86 0xC4 - LDO1\_SHUTDOWN\_DLY**

Bit	Name	R/W	Description	Default
7:6	Reserved	RO		0x0
5:0	LDO1_SHUTDOWN_DLY	RW	Delay time from LDO_EN pin or IO_REGVALID go low to internal LDO_en control de-asserted. Delay = (integer value of register) ms [1.07ms/LSB]	0x00



**9.1.87 0xC5 - LDO2\_EN\_DLY**

Bit	Name	R/W	Description	Default
7:6	Reserved	RO		0x0
5:0	LDO2_EN_DLY	RW	Delay time from LDO_EN pin and IO_REGVALID go high to internal LDO_en control asserted. Delay = (integer value of register) ms [1.07ms/LSB]	0x00

**9.1.88 0xC6 - LDO2\_SHUTDOWN\_DLY**

Bit	Name	R/W	Description	Default
7:6	Reserved	RO		0x0
5:0	LDO2_SHUTDOWN_DLY	RW	Delay time from LDO_EN pin or IO_REGVALID go low to internal LDO_en control de-asserted. Delay = (integer value of register) ms [1.07ms/LSB]	0x00

**9.1.89 0xC7 - HICCUP\_RESTRT\_DLY**

Bit	Name	R/W	Description	Default
7:6	Reserved	RO		0x0
5:0	HICCUP_RESTRT_DLY	RW	Restart delay time for LDO after faulting when hiccup is enabled. Delay = (integer value of register) ms (1.07ms/LSB) Value is used for LDO1 and LDO2.	0x00

**9.2 Protection Register Map**

**9.2.1 0x00 - RESERVED**

Bit	Name	R/W	Description	Default
7:4	Reserved	RO		0x0
3:0	Reserved	RW		0x0

**9.2.2 0x01 - IO\_CHIPNAME**

Bit	Name	R/W	Description	Default
7:0	IO_CHIPNAME	RO	Chip name, set by Renesas in metal 0x01: RAA271000	0x01

**9.2.3 0x02 - IO\_CHIPVERSION**

Bit	Name	R/W	Description	Default
7:0	IO_CHIPVERSION	RO	Chip version, set by Renesas in metal 0x01: RAA271000	0x01

### 9.2.4 0x03 - IO\_DIEID3

Bit	Name	R/W	Description	Default
7:0	IO_DIEID3	RO	Byte 3 of Die ID set by Renesas	0xFE

### 9.2.5 0x04 - IO\_DIEID2

Bit	Name	R/W	Description	Default
7:0	IO_DIEID2	RO	Byte 2 of Die ID set by Renesas	0xDC

### 9.2.6 0x05 - IO\_DIEID1

Bit	Name	R/W	Description	Default
7:0	IO_DIEID1	RO	Byte 1 of Die ID set by Renesas	0xBA

### 9.2.7 0x06 - IO\_DIEID0

Bit	Name	R/W	Description	Default
7:0	IO_DIEID0	RO	Byte 0 of Die ID set by Renesas	0x98

### 9.2.8 0x07 - IO\_CHIPSTATE

Bit	Name	R/W	Description	Default
7	BG_BANDGAPOK	RO	Bandgap State 0x0 Bandgap outside range 0x1 Bandgap within range	0x0
6	INTLDO_VDDOK	RO	Analog and digital LDOs and VBAT state 0x0 VBAT and internal LDOs outside range 0x1 VBAT and internal LDOs with in range	0x0
5	INTERRUPT	RO	Analog and digital LDOs and VBAT state 0x0 VBAT and internal LDOs outside range 0x1 VBAT and internal LDOs with in range	0x0
4:0	READONLY_RSVD	RO	Reserved	0x00

### 9.2.9 0x10 - FUSA\_CTRL\_1\_A

See the Safety Application Note for details on this register.

### 9.2.10 0x11 - FUSA\_CTRL\_2

See the Safety Application Note for details on this register.

### 9.2.11 0x12 - FUSA\_CTRL\_3

See the Safety Application Note for details on this register.

### 9.2.12 0x13 - FUSA\_CTRL\_4

See the Safety Application Note for details on this register.

### 9.2.13 0x14 - FUSA\_CTRL\_5

See the Safety Application Note for details on this register.

**9.2.14 0x15 - FUSA\_CHK\_CVM1**

See the Safety Application Note for details on this register.

**9.2.15 0x16 - FUSA\_STATUS\_CVM1**

See the Safety Application Note for details on this register.

**9.2.16 0x17 - FUSA\_STATUS\_CVM2**

See the Safety Application Note for details on this register.

**9.2.17 0x18 - FUSA\_STATUS\_CVM3**

See the Safety Application Note for details on this register.

**9.2.18 0x19 - FUSA\_STATUS\_CVM4**

See the Safety Application Note for details on this register.

**9.2.19 0x1A - FUSA\_STATUS\_CVM5**

See the Safety Application Note for details on this register.

**9.2.20 0x1B - FUSA\_STATUS\_1**

See the Safety Application Note for details on this register.

**9.2.21 0x1C - FUSA\_STATUS\_2**

See the Safety Application Note for details on this register.

**9.2.22 0x1D - FUSA\_STATUS\_3**

See the Safety Application Note for details on this register.

**9.2.23 0x1E - FUSA\_STATUS\_4**

See the Safety Application Note for details on this register.

**9.2.24 0x1F - FUSA\_SOC\_CHK\_1**

See the Safety Application Note for details on this register.

**9.2.25 0x20 - IO\_HOST\_MSGCNT**

See the Safety Application Note for details on this register.

**9.2.26 0x21 - CLK\_CNT\_1**

Bit	Name	R/W	Description	Default
7:0	FREERUN_CNT_UPPER	RO	Upper byte of free running counter (32MHz)	0x00

**9.2.27 0x22 - CLK\_CNT\_2**

Bit	Name	R/W	Description	Default
7:0	FREERUN_CNT_LOWER	RO	Lower byte of free running counter (32MHz)	0x00

**9.2.28 0x30 - FLT\_RECORD\_A**

See the Safety Application Note for details on this register.

**9.2.29 0x31 - FLT\_RECORD\_B**

See the Safety Application Note for details on this register.

**9.2.30 0x32 - FLT\_RECORD\_GND\_AVIN**

Bit	Name	R/W	Description	Default
7:4	Reserved	RO		0x0
3	FaultStatus_AVIN2_Prot	RO	AVIN2 power supply (Protection) 0x0: AVIN2 monitoring is in range 0x1: AVIN2 monitoring is out of range	0x0
2	FaultStatus_AVIN1_Regu	RO	AVIN1 power supply (Regulation) 0x0: AVIN1 monitoring is in range 0x1: AVIN1 monitoring is out of range	0x0
1	FaultStatus_PGND_Regu	RO	Monitoring result for PGND (Regulation) 0x0: monitoring is in range 0x1: monitoring is out of range	0x0
0	FaultStatus_Offset	RO	Monitoring result for GND Protection 0x0: monitoring is in range 0x1: monitoring is out of range	0x0

**9.2.31 0x33 - FLT\_RECORD\_BG\_Temp**

Bit	Name	R/W	Description	Default
7:6	Reserved	RO		0x0
5	FaultStatus_BG_REGU	RO	Bandgap (Regulation) status 0x0: Bandgap (Regulation) is in range 0x1: Bandgap (Regulation) is outside range	0x0
4	FaultStatus_TempShdn	RO	Temperature sensor severity status 0x0: Temperature is below critical shutdown temperature limit 0x1: Temperature is above critical shutdown temperature limit	0x0
3	FaultStatus_TempWarn	RO	Temperature sensor warning status 0x0: Temperature is below warning temperature limit 0x1: Temperature is above warning temperature limit	0x0
2:1	Reserved	RO		0x0
0	FaultStatus_TEMP2_SENSOR	RO	Temperature sensor health status 0x0: Val(Ref. TEMP Sensor) = Val(Temp Sensor) 0x1: Val(Ref. TEMP Sensor) ≠ Val(Temp Sensor)	0x0

## 9.2.32 0x34 - FLT\_RECORD\_IntLDOs

Bit	Name	R/W	Description	Default
7	FaultStatus_IntLDOProt_1	RO	Internal LDO 1 (Protection) Status 0x0: Internal LDO 1 (Protection) is in range 0x1: Internal LDO 1 (Protection) is outside range	0x0
6	FaultStatus_IntLDOProt_0	RO	Internal LDO 0 (Protection) Status 0x0: Internal LDO 0 (Protection) is in range 0x1: Internal LDO 0 (Protection) is outside range	0x0
5	FaultStatus_IntLDORegu_5	RO	Internal LDO 5 (Regulation) Status 0x0: Internal LDO 5 (Regulation) is in range 0x1: Internal LDO 5 (Regulation) is outside range	0x0
4	FaultStatus_IntLDORegu_4	RO	Internal LDO 4 (Protection) Status 0x0: Internal LDO 4 (Protection) is in range 0x1: Internal LDO 4 (Protection) is outside range	0x0
3	FaultStatus_IntLDORegu_3	RO	Internal LDO 3 (Regulation) Status 0x0: Internal LDO 3 (Regulation) is in range 0x1: Internal LDO 3 (Regulation) is outside range	0x0
2	FaultStatus_IntLDORegu_2	RO	Internal LDO 2 (Protection) Status 0x0: Internal LDO 2 (Protection) is in range 0x1: Internal LDO 2 (Protection) is outside range	0x0
1	FaultStatus_IntLDORegu_1	RO	Internal LDO 1 (Regulation) Status 0x0: Internal LDO 1 (Regulation) is in range 0x1: Internal LDO 1 (Regulation) is outside range	0x0
0	FaultStatus_IntLDORegu_0	RO	Internal LDO 0 (Protection) Status 0x0: Internal LDO 0 (Protection) is in range 0x1: Internal LDO 0 (Protection) is outside range	0x0

## 9.2.33 0x35 - FLT\_RECORD\_ExtLDOs

Bit	Name	R/W	Description	Default
7:5	Reserved	RO		0x0
4	FaultStatus_SPARE0	RO	VIO Status 0x0: Limit high > V(VIO) > limit low 0x1 V(VIO) > limit high or < limit low	0x0
3	FaultStatus_ExtLDORegu_3	RO	External LDO 3 Status 0x0: Limit high > V(ExtLDO_3) > limit low 0x1 V(ExtLDO_3) > limit high or < limit low	0x0
2	FaultStatus_ExtLDORegu_2	RO	External LDO 2 Status 0x0: Limit high > V(ExtLDO_2) > limit low 0x1 V(ExtLDO_2) > limit high or < limit low	0x0
1	FaultStatus_ExtLDORegu_1	RO	External LDO 1 Status 0x0: Limit high > V(ExtLDO_1) > limit low 0x1 V(ExtLDO_1) > limit high or < limit low	0x0
0	FaultStatus_ExtLDORegu_0	RO	External LDO 0 Status 0x0: Limit high > V(ExtLDO_0) > limit low 0x1 V(ExtLDO_0) > limit high or < limit low	0x0

## 9.2.34 0x36 - FLT\_RECORD\_BUCK15A

Bit	Name	R/W	Description	Default
7:3	Reserved	RO		0x00
2	FaultStatus_VOUT0_Buck15A	RO	VOUT1 (Remote voltage sense pin of 15A Buck1) Status 0x0: Limit high > VOUT1 > limit low 0x1 VOUT1 > limit high or < limit low	0x0
1	FaultStatus_PVIN0_Buck15A	RO	PVIN1 (power stage supply pin of 15A Buck1) Status 0x0: Limit high > PVIN1 > limit low 0x1 PVIN1 > limit high or < limit low	0x0
0	FaultStatus_PGND0_Buck15A	RO	PGND1 (power stage ground pin of 15A Buck1) Status 0x0: Limit high > PGND1 > limit low 0x1 PGND1 > limit high or < limit low	0x0

## 9.2.35 0x37 - FLT\_RECORD\_BUCKS

Bit	Name	R/W	Description	Default
7	FaultStatus_VOUT4_Buck1A	RO	VOUT5 (Remote voltage sense pin of Buck5) Status 0x0: Limit high > VOUT5 > limit low 0x1 VOUT5 > limit high or < limit low	0x0
6	FaultStatus_PVIN4_Buck1A	RO	PVIN5 (power stage supply pin of Buck5) Status 0x0: Limit high > PVIN5 > limit low 0x1 PVIN5 > limit high or < limit low	0x0
5	FaultStatus_VOUT3_Buck1A	RO	VOUT4 (Remote voltage sense pin of Buck4) Status 0x0: Limit high > VOUT4 > limit low 0x1 VOUT4 > limit high or < limit low	0x0
4	FaultStatus_PVIN3_Buck1A	RO	PVIN4 (power stage supply pin of 1A Buck 4) Status 0x0: Limit high > PVIN4 > limit low 0x1 PVIN4 > limit high or < limit low	0x0
3	FaultStatus_VOUT2_Buck1A	RO	VOUT3 (Remote voltage sense pin of 1A Buck3) Status 0x0: Limit high > VOUT3 > limit low 0x1 VOUT3 > limit high or < limit low	0x0
2	FaultStatus_PVIN2_Buck1A	RO	PVIN3 (power stage supply pin of 1A Buck3) Status 0x0: Limit high > PVIN3 > limit low 0x1 PVIN3 > limit high or < limit low	0x0
1	FaultStatus_VOUT1_Buck1A	RO	VOUT2 (Remote voltage sense pin of 1A Buck2) Status 0x0: Limit high > VOUT2 > limit low 0x1 VOUT2 > limit high or < limit low	0x0
0	FaultStatus_PVIN1_Buck1A	RO	PVIN2 (power stage supply pin of 1A Buck2) Status 0x0: Limit high > PVIN2 > limit low 0x1 PVIN2 > limit high or < limit low	0x0

**9.2.36 0x38 - FLT\_RECORD\_ExtINPs\_7\_0**

Bit	Name	R/W	Description	Default
7	FaultStatus_EXT_7_Prot	RO	EXT 7 pin (Protection) Status 0x0: Limit high > V(EXT_7) > limit low 0x1 V(EXT_7) > limit high or < limit low	0x0
6	FaultStatus_EXT_6_Prot	RO	EXT 6 pin (Protection) Status 0x0: Limit high > V(EXT_6) > limit low 0x1 V(EXT_6) > limit high or < limit low	0x0
5	FaultStatus_EXT_5_Prot	RO	EXT 5 pin (Protection) Status 0x0: Limit high > V(EXT_5) > limit low 0x1 V(EXT_5) > limit high or < limit low	0x0
4	FaultStatus_EXT_4_Prot	RO	EXT 4 pin (Protection) Status 0x0: Limit high > V(EXT_4) > limit low 0x1 V(EXT_4) > limit high or < limit low	0x0
3	FaultStatus_EXT_3_Prot	RO	EXT 3 pin (Protection) Status 0x0: Limit high > V(EXT_3) > limit low 0x1 V(EXT_3) > limit high or < limit low	0x0
2	FaultStatus_EXT_2_Prot	RO	EXT 2 pin (Protection) Status 0x0: Limit high > V(EXT_2) > limit low 0x1 V(EXT_2) > limit high or < limit low	0x0
1	FaultStatus_EXT_1_Prot	RO	EXT 1 pin (Protection) Status 0x0: Limit high > V(EXT_1) > limit low 0x1 V(EXT_1) > limit high or < limit low	0x0
0	FaultStatus_EXT_0_Prot	RO	EXT 0 pin (Protection) Status 0x0: Limit high > V(EXT_0) > limit low 0x1 V(EXT_0) > limit high or < limit low	0x0

**9.2.37 0x40 - OTP\_VERSION**

Bit	Name	R/W	Description	Default
7:0	OTP_VERSION	RO	Protection OTP version	0x01

**9.2.38 0x41 - RESERVED**

Bit	Name	R/W	Description	Default
7:0	Reserved	RO		0x00

**9.2.39 0x42 - RESERVED**

Bit	Name	R/W	Description	Default
7:0	Reserved	RO		0x00

**9.2.40 0x43 - OTP\_CALCCRCMSB**

Bit	Name	R/W	Description	Default
7:0	OTP_CALCCRCMSB	RO	Upper byte of calculated CRC	0x00

### 9.2.41 0x44 - OTP\_CALCCLRCLSB

Bit	Name	R/W	Description	Default
7:0	OTP_CALCCLRCLSB	RO	Lower byte of calculated CRC	0x00

### 9.2.42 0x45 - OTP\_WRITEDATA

Bit	Name	R/W	Description	Default
7:0	OTP_WRITEDATA	RW	Data byte to be written (programmed) to OTP	0x00

### 9.2.43 0x46 - OTP\_RWADDR

Bit	Name	R/W	Description	Default
7	OTP_CRC_FAULT	RO	OTP download CRC fail 0x1: CRC fail on OTP download 0x0: CRC pass on OTP download	0x0
6	Reserved	RO		0x0
5:4	Reserved	RW		0x0
3:0	Reserved	RW		0x0

### 9.2.44 0x47 - RESERVED

Bit	Name	R/W	Description	Default
7:0	Reserved	RW		0x00



### 9.2.45 0x48 - OTP\_FLT\_RECORD

Bit	Name	R/W	Description	Default
7	OTP_FLT_DLOAD_Timeout	RO	OTP Read Duration Fault 0x0: No OTP Read Duration Fault 0x1: OTP Read Duration $\geq 256 \times$ Low Freq Clock Periods (~8ms)	0x0
6	OTP_FLT_INIT_Fail	RO	OTP INIT failure 0x0: Read Initialization passed 0x1: Read Initialization failed	0x0
5	OTP_FLT_CRC_FailPage0	RO	OTP CRC failure 0x0: No OTP Failure 0x1: OTP CRC Failure	0x0
4	OTP_FLT_CRC_FailPage2	RO	OTP CRC failure 0x0: No OTP Failure 0x1: OTP CRC Failure	0x0
3	OTP_FLT_PGM_NotPGMD	RO	Read of OTP to see if OTP has been programmed 0x0: No fault 0x1: Fault	0x0
2	OTP_FLT_PGM_Warn	RO	OTP Program Warning that one of the four bits in different/redundant programming mode failed 0x0: All four bits programmed correctly 0x1: One out of four bits programmed incorrectly but overall bit is correct	0x0
1	OTP_FLT_PGM_WrongAddr	RO	OTP PROG ADDR failure 0x0: Programming address is in the correct range 0x1: Programming address is out of acceptable range	0x0
0	OTP_FLT_PGM_Error	RO	OTP PROG failure 0x0: Programming passed 0x1: Programming failed	0x0

### 9.2.46 0x49 - OTP\_CRCMSB

Bit	Name	R/W	Description	Default
7:0	OTP_CRCMSB	RW	Upper byte of 16-bit OTP_CRC value	0x00

### 9.2.47 0x4A - OTP\_CRCLSB

Bit	Name	R/W	Description	Default
7:0	OTP_CRCLSB	RW	Lower byte of 16-bit OTP_CRC value	0x00

9.2.48 0x60 - ADCMON\_COPY\_SAMPLE

Bit	Name	R/W	Description	Default
7	ADCMON_COPY_SAMPLE_RDY	RO	ADC_DATA_READY goes low when ADC_DATACOPY is written and then goes high when the data is copied over to ADC_DATA_[MSB,LSB] 0x1: Copied Sample Ready 0x0: Copied Sample Not Ready	0x0
6:0	ADCMON_COPY_SAMPLE	RW	Selection of which value to copy to the ADCMON_COPY_DATA registers. When this value is written a sample is copied to ADCMON_COPY_DATA 0x00: ADCMON_Offset (Offset) 0x01: ADCMON_Temp (Die temperature) 0x02: ADCMON_Temp_Delta (Copy of die temperature) 0x03: ADCMON_BGRegu (Regulation bandgap) 0x04: ADCMON_PGNDRegu (Regulation PGND) 0x05: IntLDORegu_0_ADCMON_IntLDORegu (Internal Regulation LDO #1) 0x06: IntLDORegu_1_ADCMON_IntLDORegu (Internal Regulation LDO #2) 0x07: IntLDORegu_2_ADCMON_IntLDORegu (Internal Regulation LDO #3) 0x08: IntLDORegu_3_ADCMON_IntLDORegu (Internal Regulation LDO #4) 0x09: IntLDORegu_4_ADCMON_IntLDORegu (Internal Regulation LDO #5) 0x0A: IntLDORegu_5_ADCMON_IntLDORegu (Internal Regulation LDO #6) 0x0B: IntLDOProt_0_ADCMON_IntLDOProt (Internal Protection LDO #1) 0x0C: IntLDOProt_1_ADCMON_IntLDOProt (Internal Protection LDO #2) 0x10: ADCMON_AVIN1 0x0E: ADCMON_AVIN2 0x11: extLDO_0_ADCMON_ExtLDO (LDO1 voltage) 0x12: extLDO_1_ADCMON_ExtLDO (LDO2 voltage) 0x15: PVIN_0_ADCMON_PVIN (PVIN1 voltage) 0x17: PVIN_1_ADCMON_PVIN (PVIN2 voltage) 0x19: PVIN_2_ADCMON_PVIN (PVIN3 voltage) 0x1B: PVIN_3_ADCMON_PVIN (PVIN4 voltage) 0x1D: PVIN_4_ADCMON_PVIN (PVIN5 voltage) 0x16: VOUT_0_ADCMON_VOUT (VOUT1 voltage) 0x18: VOUT_1_ADCMON_VOUT (VOUT2 voltage) 0x1A: VOUT_2_ADCMON_VOUT (VOUT3 voltage) 0x1C: VOUT_3_ADCMON_VOUT (VOUT4 voltage) 0x1E: VOUT_4_ADCMON_VOUT (VOUT5 voltage) 0x0D: ADCMON_SPARE_0 (VIO voltage) 0x40: EXT_0_ADCMON_EXT 0x41: EXT_1_ADCMON_EXT 0x42: EXT_2_ADCMON_EXT 0x43: EXT_3_ADCMON_EXT 0x44: EXT_4_ADCMON_EXT 0x45: EXT_5_ADCMON_EXT 0x46: EXT_6_ADCMON_EXT 0x47: EXT_7_ADCMON_EXT 0x48: EXT_8_ADCMON_EXT 0x49: EXT_9_ADCMON_EXT 0x4A: EXT_10_ADCMON_EXT 0x4B: EXT_11_ADCMON_EXT 0x4C: EXT_12_ADCMON_EXT 0x4D: EXT_13_ADCMON_EXT 0x4E: EXT_14_ADCMON_EXT 0x4F: EXT_15_ADCMON_EXT	0x00

**9.2.49 0x61 - ADCMON\_COPY\_DATA\_MSB**

Bit	Name	R/W	Description	Default
7:0	ADCMON_COPY_DATA_MSB	RO	Upper Byte of 16-bit ADC result for copied ADC data. See available channels in register <a href="#">0x60 - ADCMON_COPY_SAMPLE</a> .	0x00

**9.2.50 0x62 - ADCMON\_COPY\_DATA\_LSB**

Bit	Name	R/W	Description	Default
7:0	ADCMON_COPY_DATA_LSB	RO	Lower Byte of 16-bit ADC result for copied ADC data. See available channels in register <a href="#">0x60 - ADCMON_COPY_SAMPLE</a> .	0x00

**9.2.51 0x65 - ADCMON\_DATAMSB\_Offset**

Bit	Name	R/W	Description	Default
7:0	ADCMON_DATAMSB_Offset	RO	Upper byte of 16-bit ADC result for GND (Protection) measurement	0x00

**9.2.52 0x66 - ADCMON\_DATALSB\_Offset**

Bit	Name	R/W	Description	Default
7:0	ADCMON_DATALSB_Offset	RO	Lower byte of 16-bit ADC result for GND (Protection) measurement	0x00

**9.2.53 0x67 - ADCMON\_DATAMSB\_Temp2**

Bit	Name	R/W	Description	Default
7:0	ADCMON_DATAMSB_Temp3	RO	Upper byte of 16-bit ADC result for reference temperature sensor TEMP2 (Protection) measurement	0x00

**9.2.54 0x68 - ADCMON\_DATALSB\_Temp2**

Bit	Name	R/W	Description	Default
7:0	ADCMON_DATALSB_Temp3	RO	Lower byte of 16-bit ADC result for reference temperature sensor TEMP2 (Protection) measurement	0x00

**9.2.55 0x69 - ADCMON\_DATAMSB\_Temp3**

Bit	Name	R/W	Description	Default
7:0	ADCMON_DATAMSB_Temp2	RO	Upper byte of 16-bit ADC result for temperature sensor TEMP3 (Protection) measurement	0x00

**9.2.56 0x6A - ADCMON\_DATALSB\_Temp3**

Bit	Name	R/W	Description	Default
7:0	ADCMON_DATALSB_Temp2	RO	Lower byte of 16-bit ADC result for temperature sensor TEMP3 (Protection) measurement	0x00

### 9.2.57 0x6B - ADCMON\_DATAMSB\_BGRegu

Bit	Name	R/W	Description	Default
7:0	ADCMON_DATAMSB_BGRegu	RO	Upper byte of 16-bit ADC result for Bandgap (Regulation) measurement	0x00

### 9.2.58 0x6C - ADCMON\_DATALSB\_BGRegu

Bit	Name	R/W	Description	Default
7:0	ADCMON_DATALSB_BGRegu	RO	Lower byte of 16-bit ADC result for Bandgap (Regulation) measurement	0x00

### 9.2.59 0x6D - ADCMON\_DATAMSB\_PGNDRegu

Bit	Name	R/W	Description	Default
7:0	ADCMON_DATAMSB_PGNDRegu	RO	Upper byte of 16-bit ADC result for PGND 0 (Regulation) measurement	0x00

### 9.2.60 0x6E - ADCMON\_DATALSB\_PGNDRegu

Bit	Name	R/W	Description	Default
7:0	ADCMON_DATALSB_PGNDRegu	RO	Lower byte of 16-bit ADC result for PGND 0 (Regulation) measurement	0x00

### 9.2.61 0x6F - IntLDORegu\_0\_ADCMON\_DATAMSB\_IntLDORegu

Bit	Name	R/W	Description	Default
7:0	ADCMON_DATAMSB_IntLDORegu	RO	Upper byte of 16-bit ADC result for Internal LDO (Regulation) measurement. <b>Note:</b> The value in this register is scaled by a factor of 3/4.	0x00

### 9.2.62 0x70 - IntLDORegu\_0\_ADCMON\_DATALSB\_IntLDORegu

Bit	Name	R/W	Description	Default
7:0	ADCMON_DATALSB_IntLDORegu	RO	Lower byte of 16-bit ADC result for Internal LDO (Regulation) measurement. <b>Note:</b> The value in this register is scaled by a factor of 3/4.	0x00

### 9.2.63 0x71 - IntLDORegu\_1\_ADCMON\_DATAMSB\_IntLDORegu

Bit	Name	R/W	Description	Default
7:0	ADCMON_DATAMSB_IntLDORegu	RO	Upper byte of 16-bit ADC result for Internal LDO (Regulation) measurement. <b>Note:</b> The value in this register is scaled by a factor of 3/4.	0x00

**9.2.64 0x72 - IntLDORegu\_1\_ADCMON\_DATALSB\_IntLDORegu**

Bit	Name	R/W	Description	Default
7:0	ADCMON_DATALSB_IntLDORegu	RO	Lower byte of 16-bit ADC result for Internal LDO (Regulation) measurement. <b>Note:</b> The value in this register is scaled by a factor of 3/4.	0x00

**9.2.65 0x73 - IntLDORegu\_2\_ADCMON\_DATAMSB\_IntLDORegu**

Bit	Name	R/W	Description	Default
7:0	ADCMON_DATAMSB_IntLDORegu	RO	Upper byte of 16-bit ADC result for Internal LDO (Regulation) measurement. <b>Note:</b> The value in this register is scaled by a factor of 3/4.	0x00

**9.2.66 0x74 - IntLDORegu\_2\_ADCMON\_DATALSB\_IntLDORegu**

Bit	Name	R/W	Description	Default
7:0	ADCMON_DATALSB_IntLDORegu	RO	Lower byte of 16-bit ADC result for Internal LDO (Regulation) measurement. <b>Note:</b> The value in this register is scaled by a factor of 3/4.	0x00

**9.2.67 0x75 - IntLDORegu\_3\_ADCMON\_DATAMSB\_IntLDORegu**

Bit	Name	R/W	Description	Default
7:0	ADCMON_DATAMSB_IntLDORegu	RO	Upper byte of 16-bit ADC result for Internal LDO (Regulation) measurement. <b>Note:</b> The value in this register is scaled by a factor of 3/4.	0x00

**9.2.68 0x76 - IntLDORegu\_3\_ADCMON\_DATALSB\_IntLDORegu**

Bit	Name	R/W	Description	Default
7:0	ADCMON_DATALSB_IntLDORegu	RO	Lower byte of 16-bit ADC result for Internal LDO (Regulation) measurement. <b>Note:</b> The value in this register is scaled by a factor of 3/4.	0x00

**9.2.69 0x77 - IntLDORegu\_4\_ADCMON\_DATAMSB\_IntLDORegu**

Bit	Name	R/W	Description	Default
7:0	ADCMON_DATAMSB_IntLDORegu	RO	Upper byte of 16-bit ADC result for Internal LDO (Regulation) measurement. <b>Note:</b> The value in this register is scaled by a factor of 3/4.	0x00

**9.2.70 0x78 - IntLDORegu\_4\_ADCMON\_DATALSB\_IntLDORegu**

Bit	Name	R/W	Description	Default
7:0	ADCMON_DATALSB_IntLDORegu	RO	Lower byte of 16-bit ADC result for Internal LDO (Regulation) measurement. <b>Note:</b> The value in this register is scaled by a factor of 3/4.	0x00

**9.2.71 0x79 - IntLDORegu\_5\_ADCMON\_DATAMSB\_IntLDORegu**

Bit	Name	R/W	Description	Default
7:0	ADCMON_DATAMSB_IntLDORegu	RO	Upper byte of 16-bit ADC result for Internal LDO (Regulation) measurement. <b>Note:</b> The value in this register is scaled by a factor of 3/4.	0x00

**9.2.72 0x7A - IntLDORegu\_5\_ADCMON\_DATA LSB\_IntLDORegu**

Bit	Name	R/W	Description	Default
7:0	ADCMON_DATA LSB_IntLDORegu	RO	Lower byte of 16-bit ADC result for Internal LDO (Regulation) measurement. <b>Note:</b> The value in this register is scaled by a factor of 3/4.	0x00

**9.2.73 0x7B - IntLDOProt\_0\_ADCMON\_DATAMSB\_IntLDOProt**

Bit	Name	R/W	Description	Default
7:0	ADCMON_DATAMSB_IntLDOProt	RO	Upper byte of 16-bit ADC result for Internal LDO (Protection) measurement. <b>Note:</b> The value in this register is scaled by a factor of 3/4.	0x00

**9.2.74 0x7C - IntLDOProt\_0\_ADCMON\_DATA LSB\_IntLDOProt**

Bit	Name	R/W	Description	Default
7:0	ADCMON_DATA LSB_IntLDOProt	RO	Lower byte of 16-bit ADC result for Internal LDO (Protection) measurement. <b>Note:</b> The value in this register is scaled by a factor of 3/4.	0x00

**9.2.75 0x7D - IntLDOProt\_1\_ADCMON\_DATAMSB\_IntLDOProt**

Bit	Name	R/W	Description	Default
7:0	ADCMON_DATAMSB_IntLDOProt	RO	Upper byte of 16-bit ADC result for Internal LDO (Protection) measurement. <b>Note:</b> The value in this register is scaled by a factor of 3/4.	0x00

**9.2.76 0x7E - IntLDOProt\_1\_ADCMON\_DATA LSB\_IntLDOProt**

Bit	Name	R/W	Description	Default
7:0	ADCMON_DATA LSB_IntLDOProt	RO	Lower byte of 16-bit ADC result for Internal LDO (Protection) measurement. <b>Note:</b> The value in this register is scaled by a factor of 3/4.	0x00

**9.2.77 0x7F - ADCMON\_DATAMSB\_AVIN1**

Bit	Name	R/W	Description	Default
7:0	ADCMON_DATAMSB_AVIN1	RO	Upper byte of 16-bit ADC result for AVIN1 power supply (Regulation) measurement.	0x00

**9.2.78 0x80 - ADCMON\_DATALSB\_AVIN1**

Bit	Name	R/W	Description	Default
7:0	ADCMON_DATALSB_AVIN1	RO	Lower byte of 16-bit ADC result for AVIN1 power supply (Regulation) measurement.	0x00

**9.2.79 0x81 - ADCMON\_DATAMSB\_AVIN2**

Bit	Name	R/W	Description	Default
7:0	ADCMON_DATAMSB_AVIN2	RO	Upper byte of 16-bit ADC result for AVIN2 power supply (Protection) measurement.	0x00

**9.2.80 0x82 - ADCMON\_DATALSB\_AVIN2**

Bit	Name	R/W	Description	Default
7:0	ADCMON_DATALSB_AVIN2	RO	Lower byte of 16-bit ADC result for AVIN2 power supply (Protection) measurement.	0x00

**9.2.81 0x83 - extLDO\_0\_ADCMON\_DATAMSB\_ExtLDO**

Bit	Name	R/W	Description	Default
7:0	ADCMON_DATAMSB_ExtLDO	RO	Upper byte of 16-bit ADC result for LDO1 measurement.	0x00

**9.2.82 0x84 - extLDO\_0\_ADCMON\_DATALSB\_ExtLDO**

Bit	Name	R/W	Description	Default
7:0	ADCMON_DATALSB_ExtLDO	RO	Lower byte of 16-bit ADC result for LDO1 measurement.	0x00

**9.2.83 0x85 - extLDO\_1\_ADCMON\_DATAMSB\_ExtLDO**

Bit	Name	R/W	Description	Default
7:0	ADCMON_DATAMSB_ExtLDO	RO	Upper byte of 16-bit ADC result for LDO2 measurement.	0x00

**9.2.84 0x86 - extLDO\_1\_ADCMON\_DATALSB\_ExtLDO**

Bit	Name	R/W	Description	Default
7:0	ADCMON_DATALSB_ExtLDO	RO	Lower byte of 16-bit ADC result for LDO2 measurement.	0x00

**9.2.85 0x87 - PVIN\_0\_ADCMON\_DATAMSB\_PVIN**

Bit	Name	R/W	Description	Default
7:0	ADCMON_DATAMSB_PVIN	RO	Upper byte of 16-bit ADC result for PVIN1 measurement. <b>Note:</b> The value in this register is scaled by a factor of 1/2.	0x00

**9.2.86 0x88 - PVIN\_0\_ADCMON\_DATALSB\_PVIN**

Bit	Name	R/W	Description	Default
7:0	ADCMON_DATALSB_PVIN	RO	Lower byte of 16-bit ADC result for PVIN1 measurement. <b>Note:</b> The value in this register is scaled by a factor of 1/2.	0x00

**9.2.87 0x89 - PVIN\_1\_ADCMON\_DATAMSB\_PVIN**

Bit	Name	R/W	Description	Default
7:0	ADCMON_DATAMSB_PVIN	RO	Upper byte of 16-bit ADC result for PVIN2 measurement. <b>Note:</b> The value in this register is scaled by a factor of 1/2.	0x00

**9.2.88 0x8A - PVIN\_1\_ADCMON\_DATALSB\_PVIN**

Bit	Name	R/W	Description	Default
7:0	ADCMON_DATALSB_PVIN	RO	Lower byte of 16-bit ADC result for PVIN2 measurement. <b>Note:</b> The value in this register is scaled by a factor of 1/2.	0x00

**9.2.89 0x8B - PVIN\_2\_ADCMON\_DATAMSB\_PVIN**

Bit	Name	R/W	Description	Default
7:0	ADCMON_DATAMSB_PVIN	RO	Upper byte of 16-bit ADC result for PVIN3 measurement. <b>Note:</b> The value in this register is scaled by a factor of 1/2.	0x00

**9.2.90 0x8C - PVIN\_2\_ADCMON\_DATALSB\_PVIN**

Bit	Name	R/W	Description	Default
7:0	ADCMON_DATALSB_PVIN	RO	Lower byte of 16-bit ADC result for PVIN3 measurement. <b>Note:</b> The value in this register is scaled by a factor of 1/2.	0x00

**9.2.91 0x8D - PVIN\_3\_ADCMON\_DATAMSB\_PVIN**

Bit	Name	R/W	Description	Default
7:0	ADCMON_DATAMSB_PVIN	RO	Upper byte of 16-bit ADC result for PVIN4 measurement. <b>Note:</b> The value in this register is scaled by a factor of 1/2.	0x00

**9.2.92 0x8E - PVIN\_3\_ADCMON\_DATALSB\_PVIN**

Bit	Name	R/W	Description	Default
7:0	ADCMON_DATALSB_PVIN	RO	Lower byte of 16-bit ADC result for PVIN4 measurement. <b>Note:</b> The value in this register is scaled by a factor of 1/2.	0x00

**9.2.93 0x8F - PVIN\_4\_ADCMON\_DATAMSB\_PVIN**

Bit	Name	R/W	Description	Default
7:0	ADCMON_DATAMSB_PVIN	RO	Upper byte of 16-bit ADC result for PVIN5 measurement. <b>Note:</b> The value in this register is scaled by a factor of 1/2.	0x00



**9.2.94 0x90 - PVIN\_4\_ADCMON\_DATALSB\_PVIN**

Bit	Name	R/W	Description	Default
7:0	ADCMON_DATALSB_PVIN	RO	Lower byte of 16-bit ADC result for PVIN5 measurement. <b>Note:</b> The value in this register is scaled by a factor of 1/2.	0x00

**9.2.95 0x91 - VOUT\_0\_ADCMON\_DATAMSB\_VOUT**

Bit	Name	R/W	Description	Default
7:0	ADCMON_DATAMSB_VOUT	RO	Upper byte of 16-bit ADC result for VOUT1 measurement	0x00

**9.2.96 0x92 - VOUT\_0\_ADCMON\_DATALSB\_VOUT**

Bit	Name	R/W	Description	Default
7:0	ADCMON_DATALSB_VOUT	RO	Lower byte of 16-bit ADC result for VOUT1 measurement	0x00

**9.2.97 0x93 - VOUT\_1\_ADCMON\_DATAMSB\_VOUT**

Bit	Name	R/W	Description	Default
7:0	ADCMON_DATAMSB_VOUT	RO	Upper byte of 16-bit ADC result for VOUT2 measurement	0x00

**9.2.98 0x94 - VOUT\_1\_ADCMON\_DATALSB\_VOUT**

Bit	Name	R/W	Description	Default
7:0	ADCMON_DATALSB_VOUT	RO	Lower byte of 16-bit ADC result for VOUT2 measurement	0x00

**9.2.99 0x95 - VOUT\_2\_ADCMON\_DATAMSB\_VOUT**

Bit	Name	R/W	Description	Default
7:0	ADCMON_DATAMSB_VOUT	RO	Upper byte of 16-bit ADC result for VOUT3 measurement	0x00

**9.2.100 0x96 - VOUT\_2\_ADCMON\_DATALSB\_VOUT**

Bit	Name	R/W	Description	Default
7:0	ADCMON_DATALSB_VOUT	RO	Lower byte of 16-bit ADC result for VOUT3 measurement	0x00

**9.2.101 0x97 - VOUT\_3\_ADCMON\_DATAMSB\_VOUT**

Bit	Name	R/W	Description	Default
7:0	ADCMON_DATAMSB_VOUT	RO	Upper byte of 16-bit ADC result for VOUT4 measurement	0x00

**9.2.102 0x98 - VOUT\_3\_ADCMON\_DATALSB\_VOUT**

Bit	Name	R/W	Description	Default
7:0	ADCMON_DATALSB_VOUT	RO	Lower byte of 16-bit ADC result for VOUT4 measurement	0x00

### 9.2.103 0x99 - VOUT\_4\_ADCMON\_DATAMSB\_VOUT

Bit	Name	R/W	Description	Default
7:0	ADCMON_DATAMSB_VOUT	RO	Upper byte of 16-bit ADC result for VOUT5 measurement	0x00

### 9.2.104 0x9A - VOUT\_4\_ADCMON\_DATALSB\_VOUT

Bit	Name	R/W	Description	Default
7:0	ADCMON_DATALSB_VOUT	RO	Lower byte of 16-bit ADC result for VOUT5 measurement	0x00

### 9.2.105 0x9B - ADCMON\_DATAMSB\_SPARE\_0

Bit	Name	R/W	Description	Default
7:0	ADCMON_DATAMSB_SPARE_0	RO	Upper byte of 16-bit ADC result for VIO monitoring ADC channel	0x00

### 9.2.106 0x9C - ADCMON\_DATALSB\_SPARE\_0

Bit	Name	R/W	Description	Default
7:0	ADCMON_DATALSB_SPARE_0	RO	Lower byte of 16-bit ADC result for VIO monitoring ADC channel	0x00

### 9.2.107 0x9D - EXT\_0\_ADCMON\_DATAMSB\_EXT

Bit	Name	R/W	Description	Default
7:0	ADCMON_DATAMSB_EXT	RO	Upper byte of 16-bit ADC result for ADC1 (no external MUX) or external channel 0 (with external MUX)	0x00

### 9.2.108 0x9E - EXT\_0\_ADCMON\_DATALSB\_EXT

Bit	Name	R/W	Description	Default
7:0	ADCMON_DATALSB_EXT	RO	Lower byte of 16-bit ADC result for ADC1 (no external MUX) or external channel 0 (with external MUX)	0x00

### 9.2.109 0x9F - EXT\_1\_ADCMON\_DATAMSB\_EXT

Bit	Name	R/W	Description	Default
7:0	ADCMON_DATAMSB_EXT	RO	Upper byte of 16-bit ADC result for ADC2 (no external MUX) or external channel 1 (with external MUX)	0x00

### 9.2.110 0xA0 - EXT\_1\_ADCMON\_DATALSB\_EXT

Bit	Name	R/W	Description	Default
7:0	ADCMON_DATALSB_EXT	RO	Lower byte of 16-bit ADC result for ADC2 (no external MUX) or external channel 1 (with external MUX)	0x00

**9.2.111 0xA1 - EXT\_2\_ADCMON\_DATAMSB\_EXT**

Bit	Name	R/W	Description	Default
7:0	ADCMON_DATAMSB_EXT	RO	Upper byte of 16-bit ADC result for ADC3 (no external MUX) or external channel 2 (with external MUX)	0x00

**9.2.112 0xA2 - EXT\_2\_ADCMON\_DATALSB\_EXT**

Bit	Name	R/W	Description	Default
7:0	ADCMON_DATALSB_EXT	RO	Lower byte of 16-bit ADC result for ADC3 (no external MUX) or external channel 2 (with external MUX)	0x00

**9.2.113 0xA3 - EXT\_3\_ADCMON\_DATAMSB\_EXT**

Bit	Name	R/W	Description	Default
7:0	ADCMON_DATAMSB_EXT	RO	Upper byte of 16-bit ADC result for ADC4 (no external MUX) or external channel 3 (with external MUX)	0x00

**9.2.114 0xA4 - EXT\_3\_ADCMON\_DATALSB\_EXT**

Bit	Name	R/W	Description	Default
7:0	ADCMON_DATALSB_EXT	RO	Lower byte of 16-bit ADC result for ADC4 (no external MUX) or external channel 3 (with external MUX)	0x00

**9.2.115 0xA5 - EXT\_4\_ADCMON\_DATAMSB\_EXT**

Bit	Name	R/W	Description	Default
7:0	ADCMON_DATAMSB_EXT	RO	Upper byte of 16-bit ADC result for ADC5 (no external MUX) or external channel 4 (with external MUX)	0x00

**9.2.116 0xA6 - EXT\_4\_ADCMON\_DATALSB\_EXT**

Bit	Name	R/W	Description	Default
7:0	ADCMON_DATALSB_EXT	RO	Lower byte of 16-bit ADC result for ADC5 (no external MUX) or external channel 4 (with external MUX)	0x00

**9.2.117 0xA7 - EXT\_5\_ADCMON\_DATAMSB\_EXT**

Bit	Name	R/W	Description	Default
7:0	ADCMON_DATAMSB_EXT	RO	Upper byte of 16-bit ADC result for external channel 5 (with external MUX)	0x00

**9.2.118 0xA8 - EXT\_5\_ADCMON\_DATALSB\_EXT**

Bit	Name	R/W	Description	Default
7:0	ADCMON_DATALSB_EXT	RO	Lower byte of 16-bit ADC result for external channel 5 (with external MUX)	0x00

**9.2.119 0xA9 - EXT\_6\_ADCMON\_DATAMSB\_EXT**

Bit	Name	R/W	Description	Default
7:0	ADCMON_DATAMSB_EXT	RO	Upper byte of 16-bit ADC result for external channel 6 (with external MUX)	0x00

**9.2.120 0xAA - EXT\_6\_ADCMON\_DATALSB\_EXT**

Bit	Name	R/W	Description	Default
7:0	ADCMON_DATALSB_EXT	RO	Lower byte of 16-bit ADC result for external channel 6 (with external MUX)	0x00

**9.2.121 0xAB - EXT\_7\_ADCMON\_DATAMSB\_EXT**

Bit	Name	R/W	Description	Default
7:0	ADCMON_DATAMSB_EXT	RO	Upper byte of 16-bit ADC result for external channel 7 (with external MUX)	0x00

**9.2.122 0xAC - EXT\_7\_ADCMON\_DATALSB\_EXT**

Bit	Name	R/W	Description	Default
7:0	ADCMON_DATALSB_EXT	RO	Lower byte of 16-bit ADC result for external channel 7 (with external MUX)	0x00

**9.2.123 0xAD - EXT\_8\_ADCMON\_DATAMSB\_EXT**

Bit	Name	R/W	Description	Default
7:0	ADCMON_DATAMSB_EXT	RO	Upper byte of 16-bit ADC result for external channel 8 (with external MUX)	0x00

**9.2.124 0xAE - EXT\_8\_ADCMON\_DATALSB\_EXT**

Bit	Name	R/W	Description	Default
7:0	ADCMON_DATALSB_EXT	RO	Lower byte of 16-bit ADC result for external channel 8 (with external MUX)	0x00

**9.2.125 0xAF - EXT\_9\_ADCMON\_DATAMSB\_EXT**

Bit	Name	R/W	Description	Default
7:0	ADCMON_DATAMSB_EXT	RO	Upper byte of 16-bit ADC result for external channel 9 (with external MUX)	0x00

**9.2.126 0xB0 - EXT\_9\_ADCMON\_DATALSB\_EXT**

Bit	Name	R/W	Description	Default
7:0	ADCMON_DATALSB_EXT	RO	Lower byte of 16-bit ADC result for external channel 9 (with external MUX)	0x00

**9.2.127 0xB1 - EXT\_10\_ADCMON\_DATAMSB\_EXT**

Bit	Name	R/W	Description	Default
7:0	ADCMON_DATAMSB_EXT	RO	Upper byte of 16-bit ADC result for external channel 10 (with external MUX)	0x00

**9.2.128 0xB2 - EXT\_10\_ADCMON\_DATALSB\_EXT**

Bit	Name	R/W	Description	Default
7:0	ADCMON_DATALSB_EXT	RO	Lower byte of 16-bit ADC result for external channel 10 (with external MUX)	0x00

**9.2.129 0xB3 - EXT\_11\_ADCMON\_DATAMSB\_EXT**

Bit	Name	R/W	Description	Default
7:0	ADCMON_DATAMSB_EXT	RO	Upper byte of 16-bit ADC result for external channel 11 (with external MUX)	0x00

**9.2.130 0xB4 - EXT\_11\_ADCMON\_DATALSB\_EXT**

Bit	Name	R/W	Description	Default
7:0	ADCMON_DATALSB_EXT	RO	Lower byte of 16-bit ADC result for external channel 11 (with external MUX)	0x00

**9.2.131 0xB5 - EXT\_12\_ADCMON\_DATAMSB\_EXT**

Bit	Name	R/W	Description	Default
7:0	ADCMON_DATAMSB_EXT	RO	Upper byte of 16-bit ADC result for external channel 12 (with external MUX)	0x00

**9.2.132 0xB6 - EXT\_12\_ADCMON\_DATALSB\_EXT**

Bit	Name	R/W	Description	Default
7:0	ADCMON_DATALSB_EXT	RO	Lower byte of 16-bit ADC result for external channel 12 (with external MUX)	0x00

**9.2.133 0xB7 - EXT\_13\_ADCMON\_DATAMSB\_EXT**

Bit	Name	R/W	Description	Default
7:0	ADCMON_DATAMSB_EXT	RO	Upper byte of 16-bit ADC result for external channel 13 (with external MUX)	0x00

**9.2.134 0xB8 - EXT\_13\_ADCMON\_DATALSB\_EXT**

Bit	Name	R/W	Description	Default
7:0	ADCMON_DATALSB_EXT	RO	Lower byte of 16-bit ADC result for external channel 13 (with external MUX)	0x00

**9.2.135 0xB9 - EXT\_14\_ADCMON\_DATAMSB\_EXT**

Bit	Name	R/W	Description	Default
7:0	ADCMON_DATAMSB_EXT	RO	Upper byte of 16-bit ADC result for external channel 14 (with external MUX)	0x00

**9.2.136 0xBA - EXT\_14\_ADCMON\_DATALSB\_EXT**

Bit	Name	R/W	Description	Default
7:0	ADCMON_DATALSB_EXT	RO	Lower byte of 16-bit ADC result for external channel 14 (with external MUX)	0x00

**9.2.137 0xBB - EXT\_15\_ADCMON\_DATAMSB\_EXT**

Bit	Name	R/W	Description	Default
7:0	ADCMON_DATAMSB_EXT	RO	Upper byte of 16-bit ADC result for external channel 15 (with external MUX)	0x00

**9.2.138 0xBC - EXT\_15\_ADCMON\_DATALSB\_EXT**

Bit	Name	R/W	Description	Default
7:0	ADCMON_DATALSB_EXT	RO	Lower byte of 16-bit ADC result for external channel 15 (with external MUX)	0x00

**9.2.139 0xC0 - MTE\_CFG\_CTRL\_A**

Bit	Name	R/W	Description	Default
7:1	Reserved	RO		0x00
0	MTE_BURN	RW	0x1: Writing a 1 to this register makes bypass self-diagnosis state. 0x0: Writing a 1 to this register burns the MTE fuses.	0x0

**9.2.140 0xC8 - WDT\_KICK\_REG**

Bit	Name	R/W	Description	Default
7:0	WDT_KICK_REG	RW	Kick data register for WatchDog Timer	0x00

**9.2.141 0xC9 - WDT\_LFSR**

Bit	Name	R/W	Description	Default
7:0	WDT_LFSR	RO	Question output for Q&A Watchdog functions	0x00

**9.2.142 0xD0 - RESERVED**

Bit	Name	R/W	Description	Default
7:0	Reserved	RW		0x00

9.2.143 0xD1 - RESERVED

Bit	Name	R/W	Description	Default
7:0	Reserved	RW		0x00

9.2.144 0xD2 - RESERVED

Bit	Name	R/W	Description	Default
7:0	Reserved	RW		0x00

9.2.145 0xD3 - RESERVED

Bit	Name	R/W	Description	Default
7:0	Reserved	RW		0x00

9.2.146 0xE0 - RESERVED

Bit	Name	R/W	Description	Default
7:0	Reserved	RW		0x00

## 10. Layout Guidelines

The RAA271000 is a highly programmable, multiple-channel power management integrated circuit (PMIC) designed for Renesas R-Car SoC to meet the high-performance requirements in addition to providing a high level of integration to minimize system board area and BOM cost. It includes 5 Buck switching regulators and 2 LDOs, a 12-bit ADC and 14 GPIOs, in a 0.8mm pitch 60 ball FCCSP package. **Note:** Proper PCB layout is an important design practice to ensure a satisfactory electrical and thermal performance.

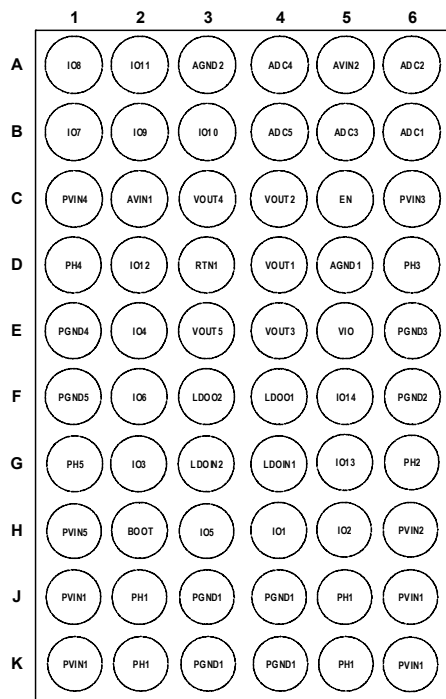


Figure 22. RAA271000 Pinout (Top View)

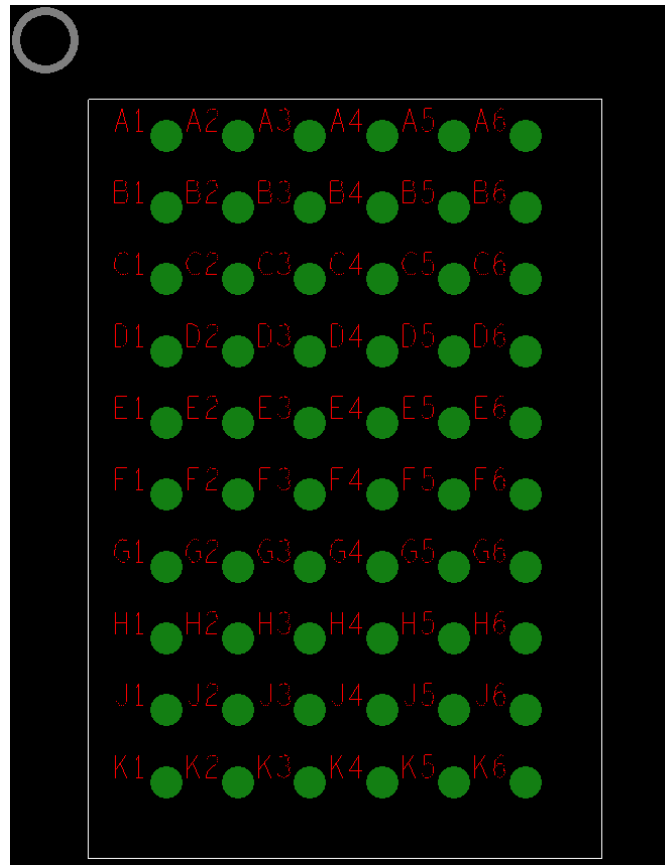


Figure 23. RAA271000 PCB Footprint (Top View)

**Note:** Row A is closer to the PMIC package boundary; Row K is further to the PMIC package boundary.

Each Buck regulator power delivery loop consists of the output inductor L, the output capacitor  $C_{OUT}$ , the PH switching node pin, and the PGND pin.

**Important:** Make the power delivery or current flow loop as small as possible. The PCB connecting traces among those components and pins should be direct, short, and wide. Apply the same practice to the connections of the PVIN pin, the input capacitor  $C_{IN}$ , and PGND.

The input voltage ( $V_{IN}$ ) and the output voltage ( $V_{OUT}$ ) PCB copper should be wide enough to minimize the current conduction loss.

Multiple solid ground layer is helpful to reduce the current flow resistance, have better thermal dissipation and for a good EMI performance. Use enough vias to connect all the GND layers.



## 10.1 Buck-1 Components Placement and PCB Routing

In Figure 24 through Figure 26, the signal/copper net name is labeled in red text and the component is labeled in yellow text. The RAA271000 is placed on the PCB top component layer.

1. Place the input capacitors  $C_{IN1}$  as close as possible to Buck-1 PVIN and PGND pins.
2. Connect all the Buck-1 PGND pins together through a GND copper plane and use multiple vias connecting to the inner and other GND layers.
3. Connect the Buck-1 PH1 pins together through a PH1 copper plane on the PMIC component layer.
4. Place the inductor L1 as close as possible to the PMIC.
5. Place the output bulk capacitor  $C_{OUT1}$  close to the inductor L1 output terminal.
  - a. Minimize the GND distance of the input capacitor  $C_{IN1}$  and the output capacitor  $C_{OUT1}$ . If  $C_{IN1}$  GND plane and  $C_{IN2}$  GND plane cannot be connected directly with copper, use enough vias connecting them to the inner or other GND plane respectively, such as the two GND planes can be connected through the other GND layers with minimized resistance.
  - b. Solid ground plane is helpful for a good EMI performance, current conduction, and thermal dissipation.
6. If possible, use two or multiple layer or wide enough PCB copper trace for the output voltage  $V_{OUT1}$  to minimize the conduction loss, since Buck-1 output carries high current.

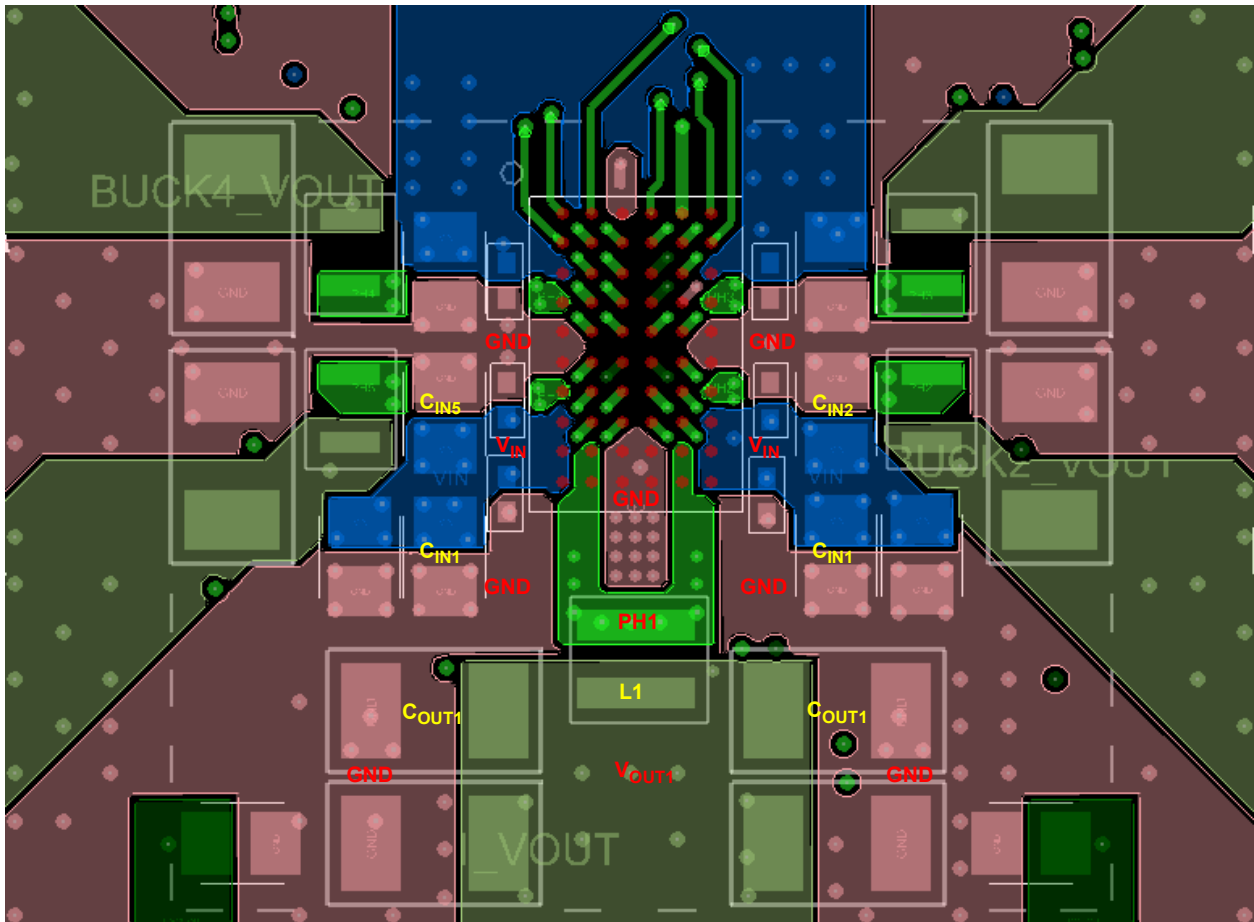


Figure 24. Top Layer

7. For the Buck-1 bootstrap cap  $C_{BOOT}$ , place it on the PCB bottom component layer.
  - a. Use a via connecting BOOT pin to the bottom layer; use a via connecting PH1 net to the bottom layer.
  - b. Minimize the loop and PCB trace of “Boot pin→Boot trace→Cboot→PH1 trace”.
  - c. Use at least 10 mil width trace for the Boot trace and PH1 trace to conduct the Buck-1 high side FET driver current.
  - d. Keep all other smaller signals away from BOOT and PH1 via/trace/copper.

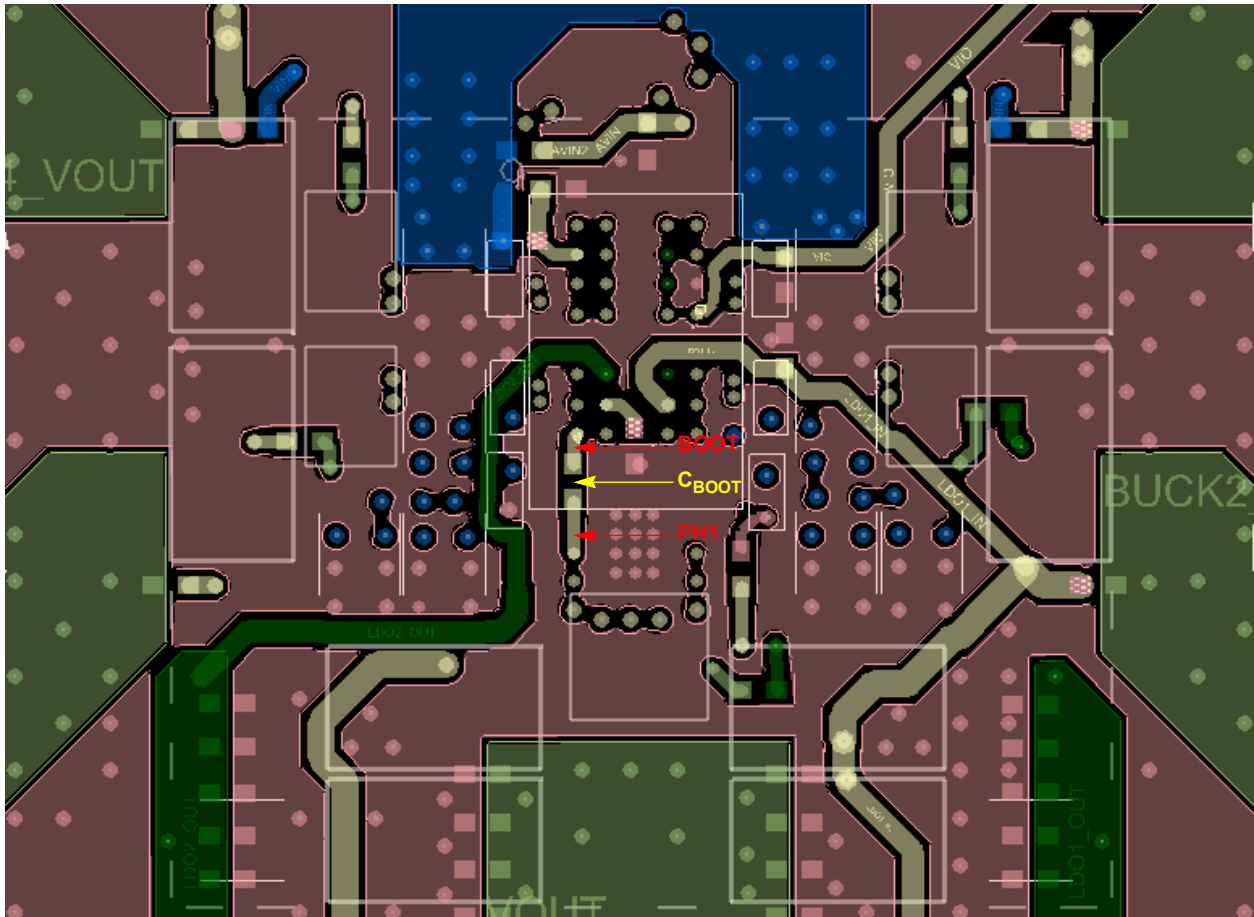


Figure 25. PCB Bottom Component Layer

8. Run the  $V_{OUT1}$  and RTN1 output voltage feedback differential trace in parallel, staying away from the PH1, PH2, PH3, PH4, PH5, and BOOT, the noisy signal via/trace/copper, and away from any high-speed digital signals. Shield the  $V_{OUT1}$  and RTN1 differential parallel traces with GND copper.
9. Connect the  $V_{OUT1}$  and RTN1 differential sensing point to the  $V_{OUT1}$  output high frequency ceramic cap bank to minimize the feedback ripple and noise.

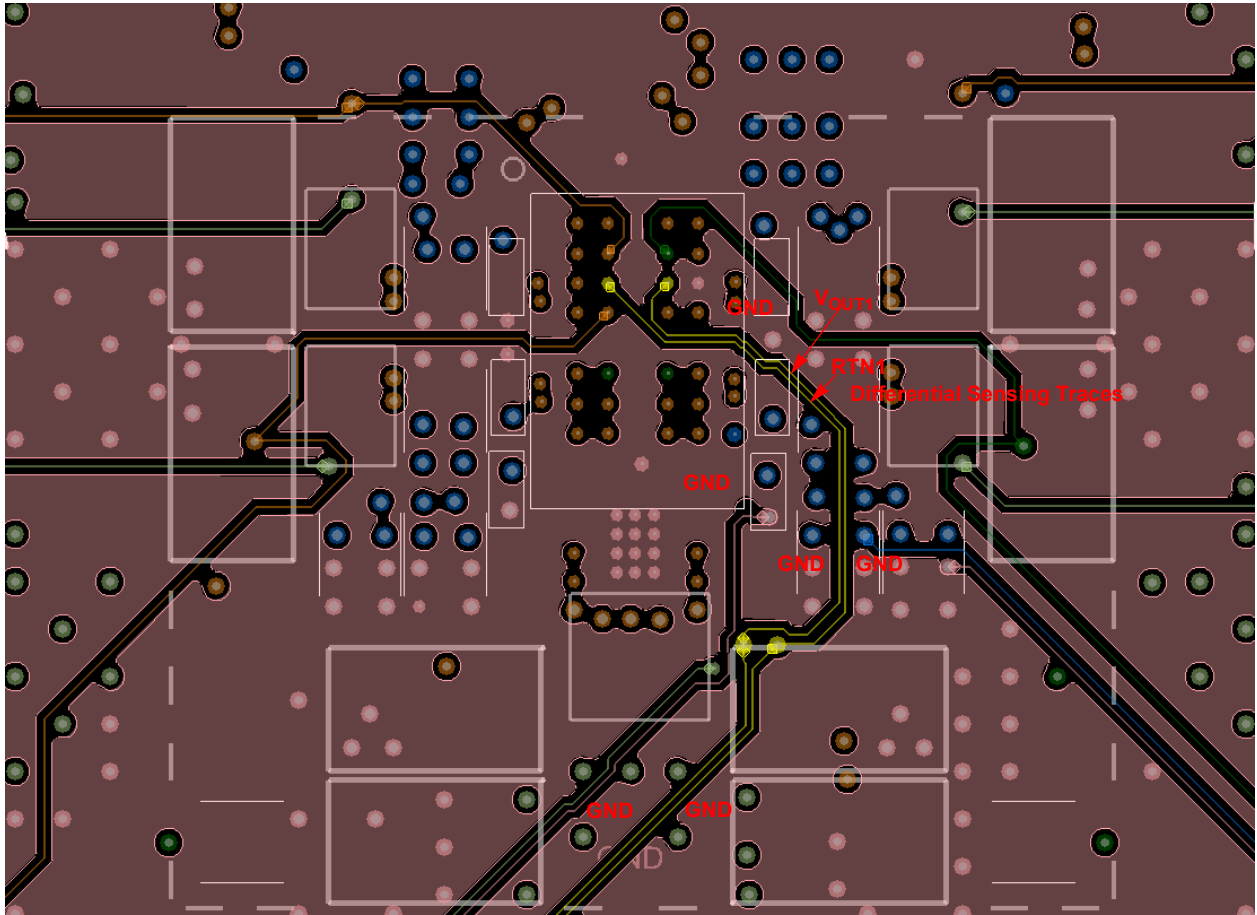


Figure 26. PCB  $V_{OUT}$  and RTN Routing

## 10.2 Buck-2, Buck-3, Buck-4, and Buck-5 Component Placement and PCB Routing

Take Buck-2 and Buck-3 as the example; the Buck-4 and Buck-5 follow the same layout practices. In Figure 27, the signal/copper net name is labeled in red text and the component is labeled in yellow text.

1. Place the input capacitor  $C_{IN2}$  as close as possible to Buck-2 PVIN and PGND pins and  $C_{IN3}$  to Buck-3 PVIN and PGND pins.
2. Connect the Buck-2 PH2 pins through a PH2 copper trace to the inductor L2 PH2 terminal and pad.
3. Connect the Buck-3 PH3 pins through a PH3 copper trace to the inductor L3 PH3 terminal and pad.
4. Place the inductor L2 and L3 as close as possible to the PMIC.
5. Place the output bulk capacitor  $C_{OUT2}$  close to the inductor L2 and  $C_{OUT3}$  close to the L3 output terminal.
6. Connect the  $C_{IN2}$  and  $C_{IN3}$  GND copper plane to the  $C_{OUT2}$  and  $C_{OUT3}$  GND copper plane through copper directly or connect them through the other GND layers with multiple vias. Minimize the resistance between the input capacitor GND plane and the output capacitor GND plane.
7. If possible, use two or multiple layer or wide enough PCB copper trace for the output of  $V_{OUT2}$  and  $V_{OUT3}$ .

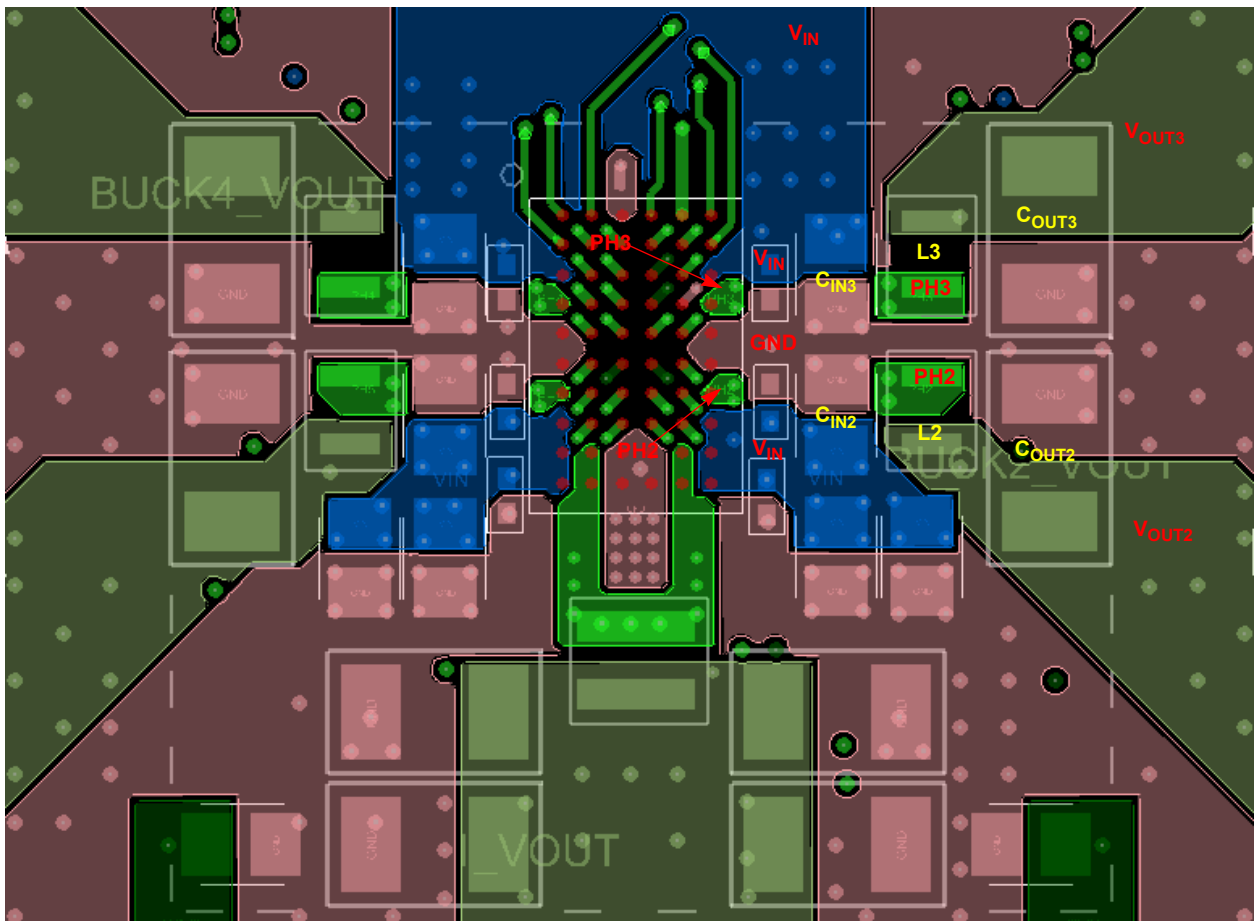


Figure 27. PCB Top Layer Buck Component Placement

8. Use inner layer or bottom layer to run the PH2 trace, connect to PH2 pin and L2 inductor pad through multiple vias.
  - a. The PH2 trace should be wide because it carries the Buck-2 output current.
  - b. Avoid any sensitive signal close to the PH2 trace and via.

9. Use inner layer or bottom layer to run the PH3 trace, connect to PH3 pin and L3 inductor pad through multiple vias.
  - a. The PH3 trace should be wide because it carries the Buck-3 output current.
  - b. Avoid any sensitive signal close to the PH3 trace and via.

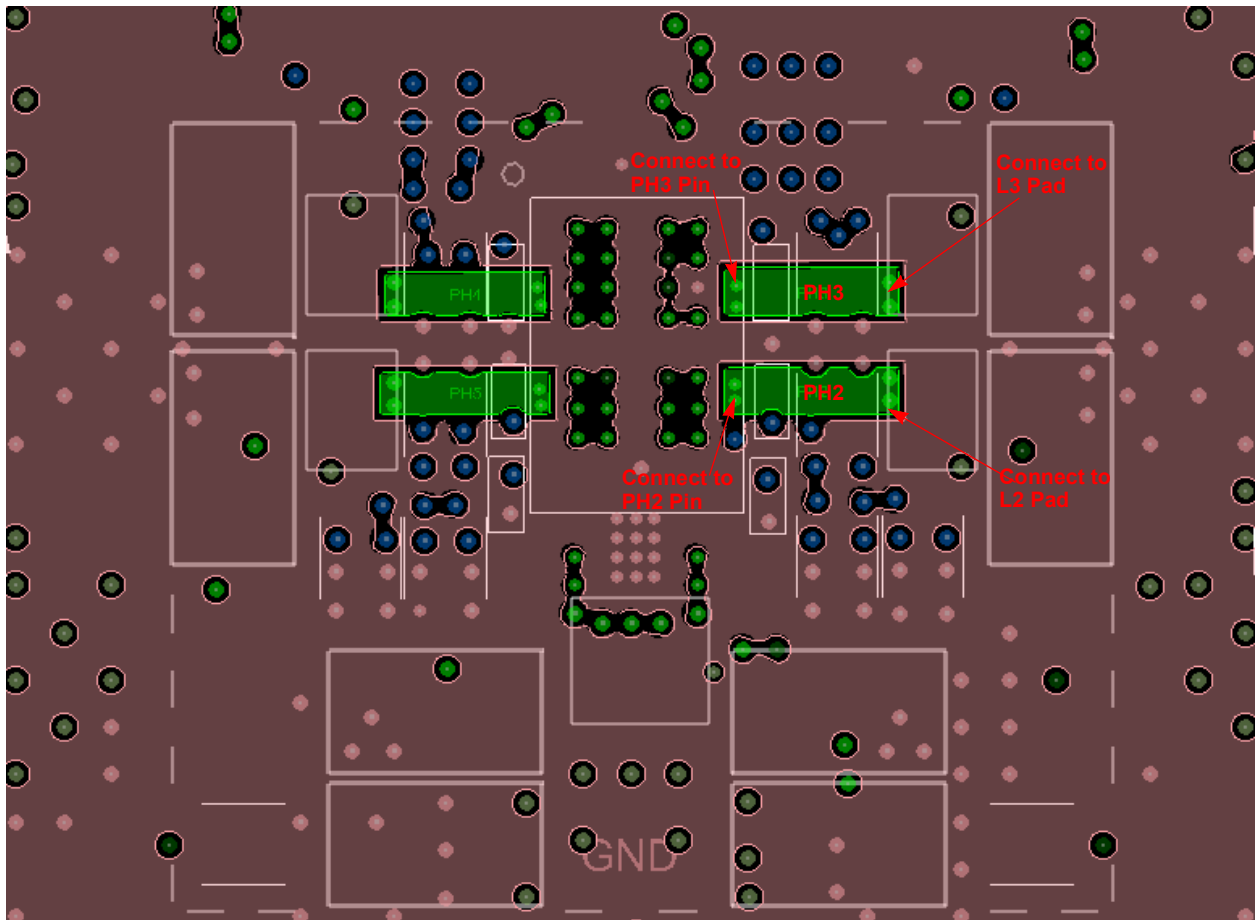


Figure 28. PCB Buck2-4 PH Trace Example

10. Run the  $V_{OUT2}$  and  $V_{OUT3}$  output voltage sensing trace, avoid any PH1/2/3/4/5 switching via/trace/copper, and shield the feedback sensing trace with GND copper.
11. Connect the  $V_{OUT2}$  feedback sensing point to Buck-2 and the  $V_{OUT3}$  to the Buck-3 output high frequency ceramic cap bank to minimize the feedback ripple and noise.

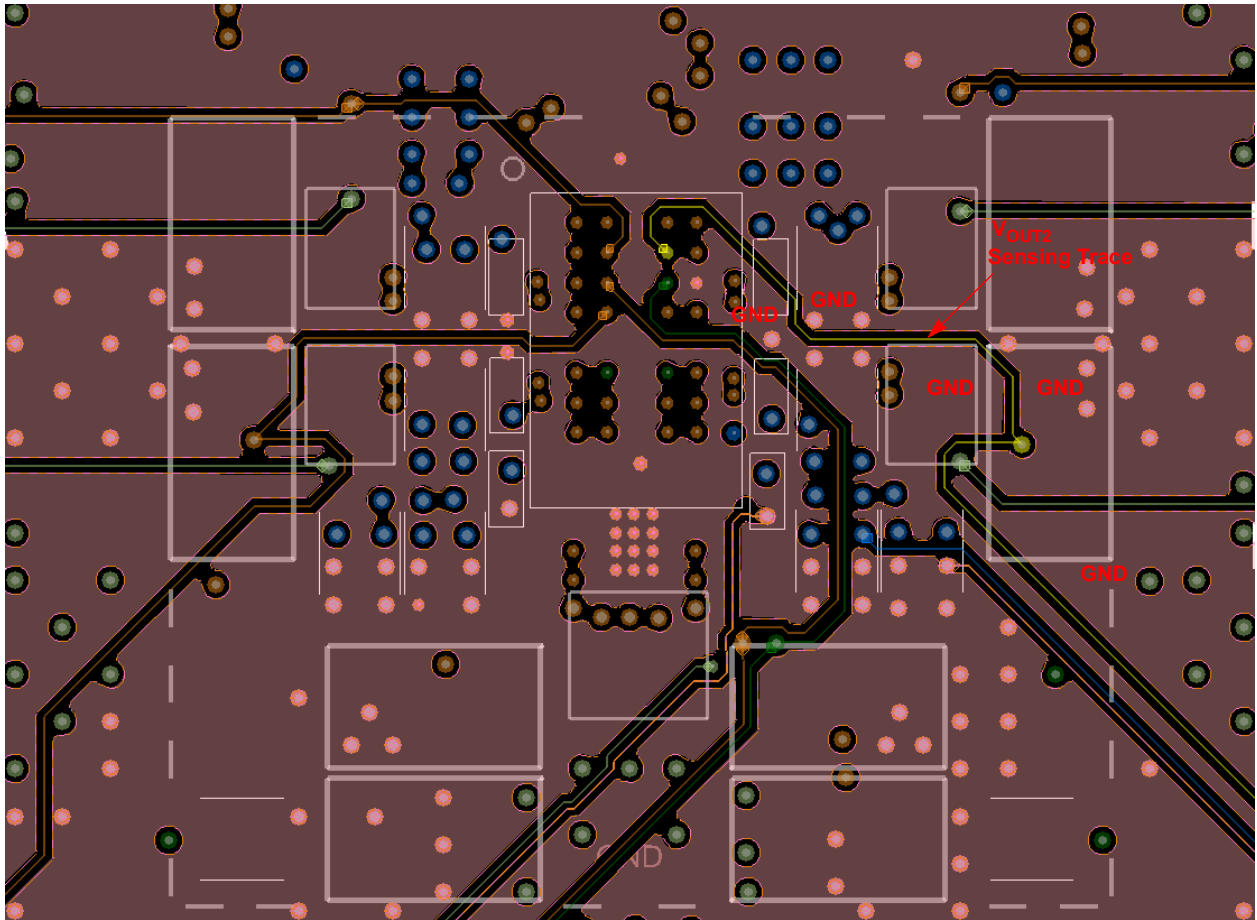


Figure 29. PCB  $V_{OUT2}$  Trace Example

### 10.3 All Other Components Placement and PCB Routing

1. Place the LDO1 and LDO2 input capacitors as close as possible to the LDOIN1 and LDOIN2 pins, respectively.
2. Place the LDO1 and LDO2 output capacitors as close as possible to the LDO1 and LDO2 output pins, respectively.
3. Place the AVIN1 pin and AVIN2 pin R-C filter capacitor as close as possible to the AVIN1 and AVIN2 pins, respectively. Always reference the decoupling capacitor GND pad to a quiet GND plane.
4. Run the ADCs and GPIOs digital traces away from the PH1/2/3/4/5 and BOOT the noisy signal via/trace/copper.

## 10.4 Other Recommendations

### 10.4.1 PCB Via Options

The RAA271000 PCB layout can use the plated through-holes via or the staggered micro-via to connect the pins to the inner layers and the bottom component layer.

### 10.4.2 8-Layer PCB Stackup Example

Table 25. PCB Layer Recommendation

Layer Level	Routed Connections
Top Layer	RAA271000, components, power ( $V_{IN}$ , $V_{OUT}$ , GND)
Layer-2	GND
Layer-3	Power, PH2, PH3, PH4, PH5
Layer-4	GND
Layer-5	Signal, output voltage sensing traces
Layer-6	Signal
Layer-7	GND
Bottom Layer	Component, Signal, GND

### 10.4.3 Summary of the PCB Layout Practice

1. Place the input capacitors as close as possible to their respective PVIN and PGND pins.
2. Route the Buck switching phase nodes with short, wide traces, and avoid any sensitive signals.
3. Route output voltage sensing traces to the load point and the high frequency ceramic bank to minimize the feedback noise.
4. Run the output voltage sensing traces away from the switching phase via/trace/copper and high-speed digital signals, shield with GND copper.
5. Minimize the input capacitor GND and the output capacitor GND distance and resistance.
6. Use enough vias and PCB trace width for the current flow capacity.

### 10.5 RAA271000 PCB Layout Example 1 (Top view) - Through Hole via

Figure 30 shows the RAA271000 footprint, the components placement, the  $V_{IN}$ ,  $V_{OUT}$ , and GND copper planes.

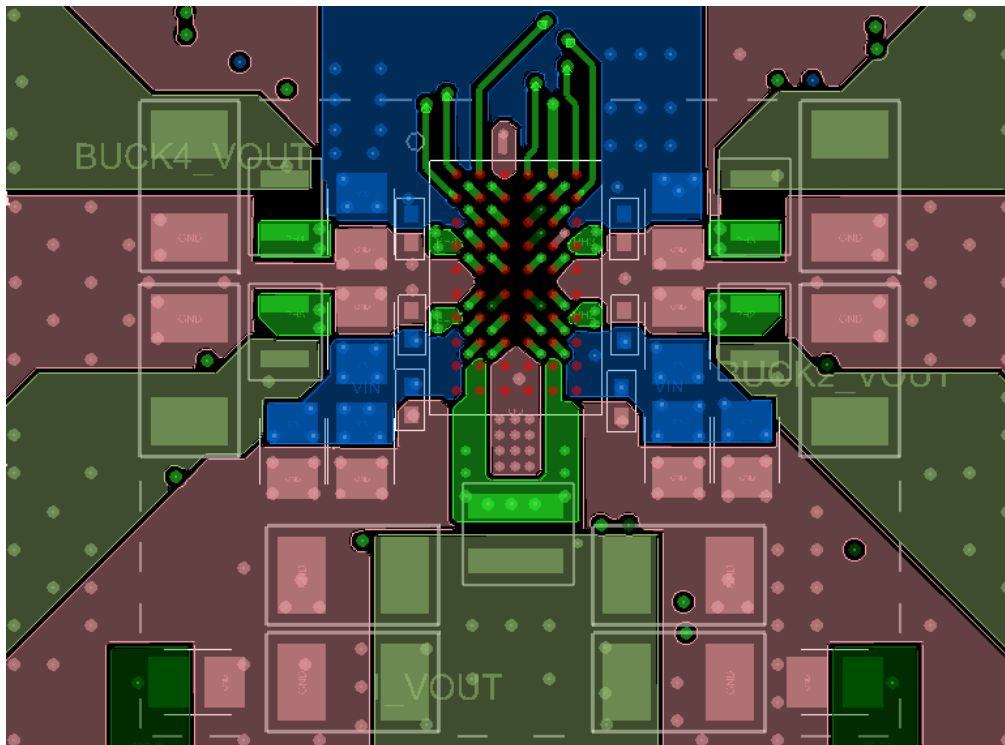


Figure 30. PCB Top Layer with All Components

Figure 31 is the inner Layer showing PH2, PH3, PH4, and PH5 traces.

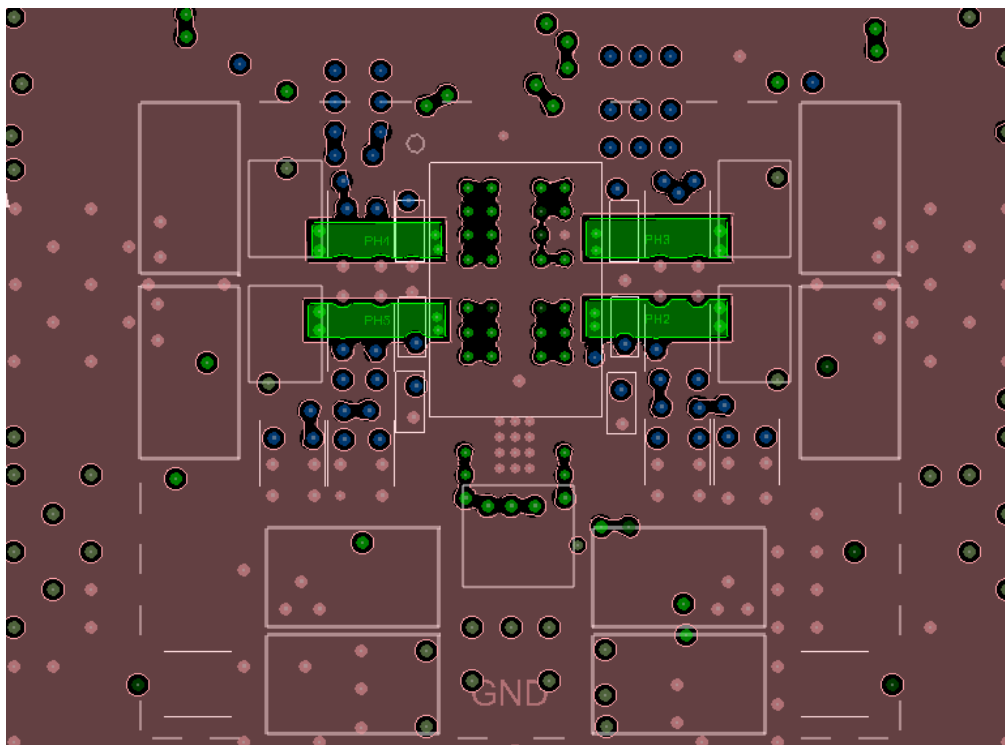


Figure 31. PCB Inner Layer Showing PH2-5 Traces





## 10.6 RAA271000 PCB Layout Example 2 (Top view) - Stagger Via

Figure 34 shows the RAA271000 footprint, the components placement, the  $V_{IN}$ ,  $V_{OUT}$ , GND copper planes, and digital signals traces

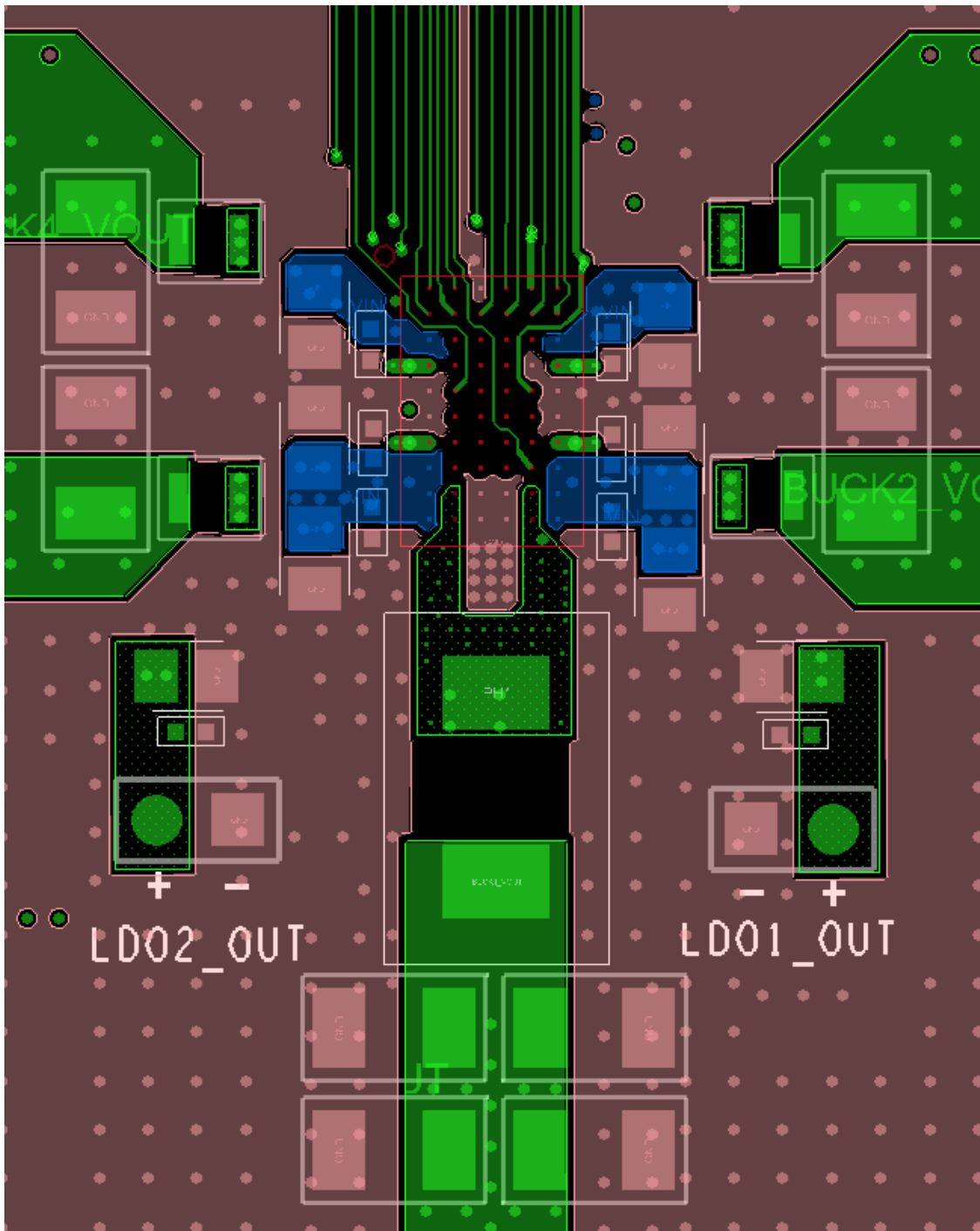


Figure 34. PCB Example 2, Top Layer with Staggered Vias

Figure 35 shows PH2, PH3, PH4, and PH5 traces,  $V_{IN}$  and GND copper.

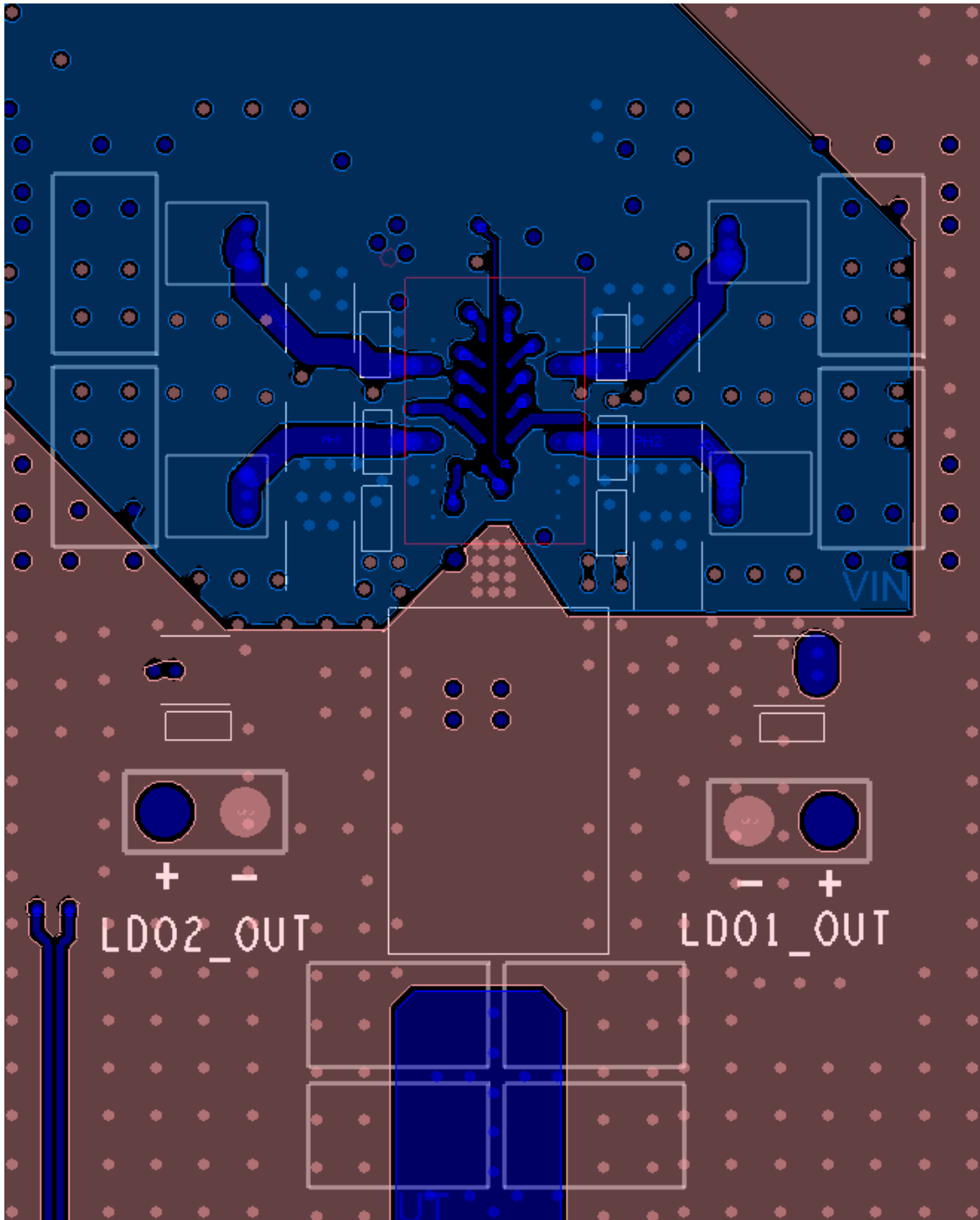


Figure 35. PCB Example 2, Inner Layer Showing PH2-5,  $V_{IN}$  and GND Copper

Figure 36 shows  $V_{IN}$  and GND copper

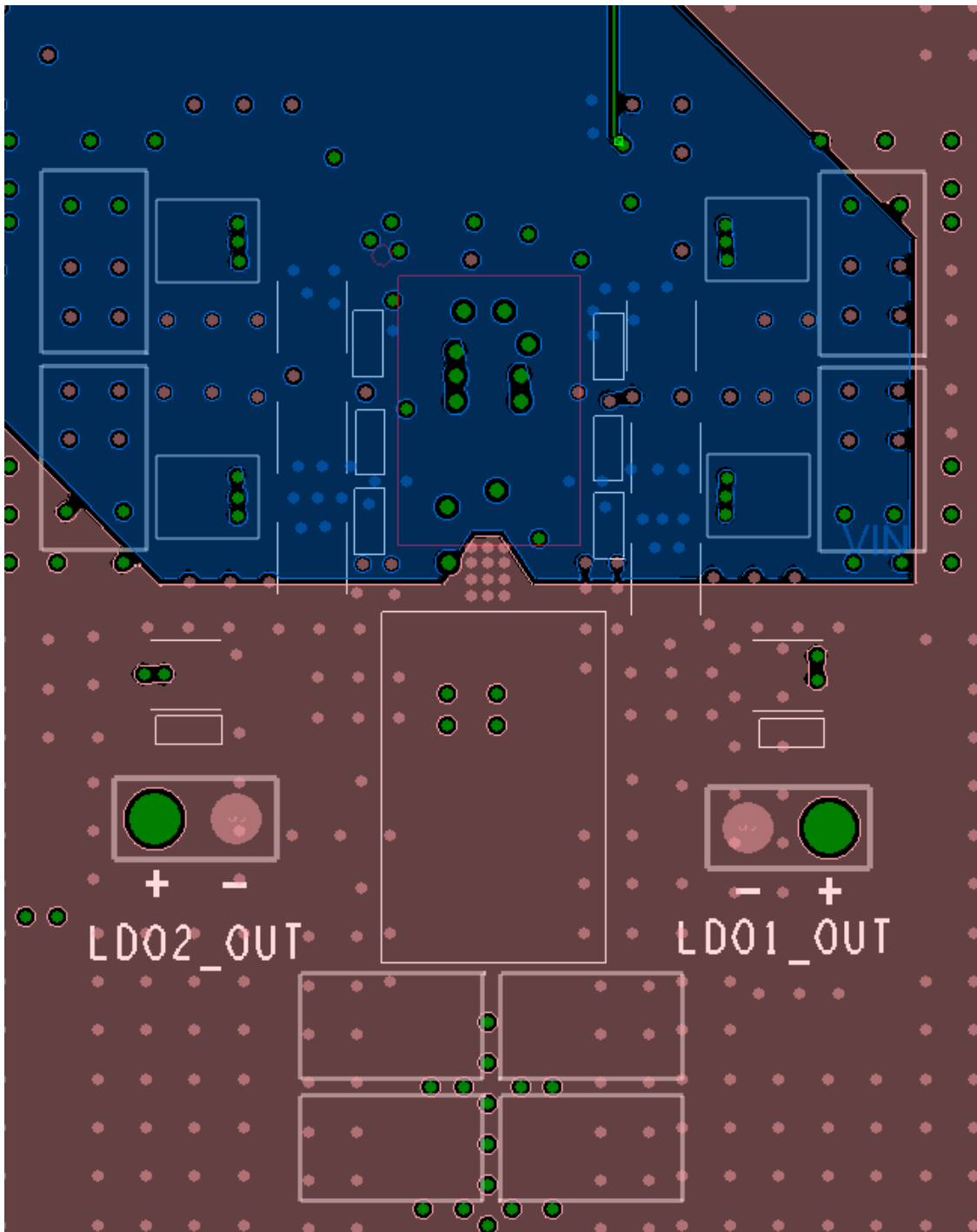


Figure 36. PCB Example 2, Inner Layer VIN and GND Copper

Figure 37 shows LDO1 and LDO2 traces and  $V_{OUT}$  sensing traces.

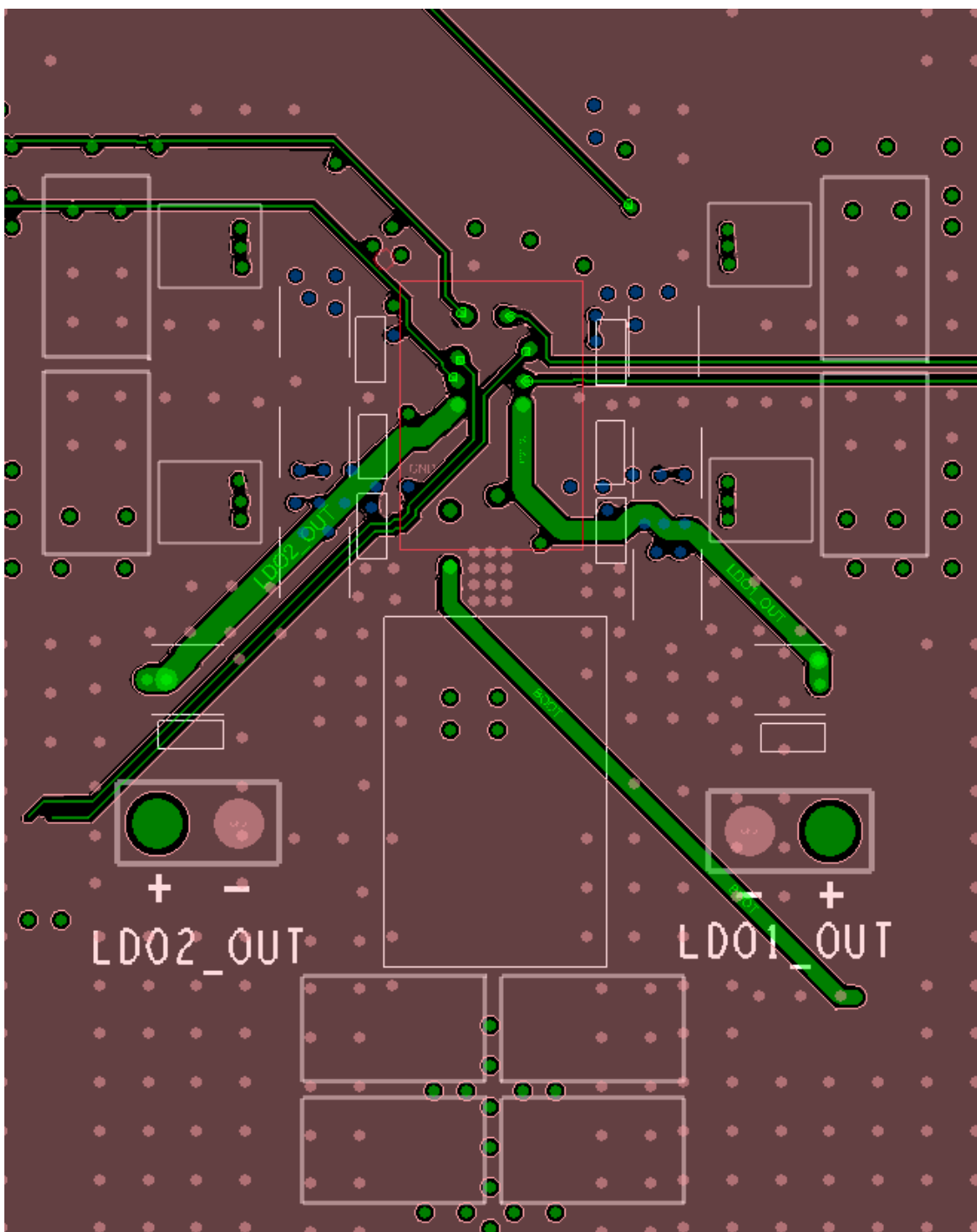


Figure 37. PCB Example 2, Inner Layer Showing LDO1-2 and  $V_{OUT}$  Sensing Traces

Figure 38 shows the Buck-1 bootstrap capacitor and two Buck-1 input capacitors placed on bottom.

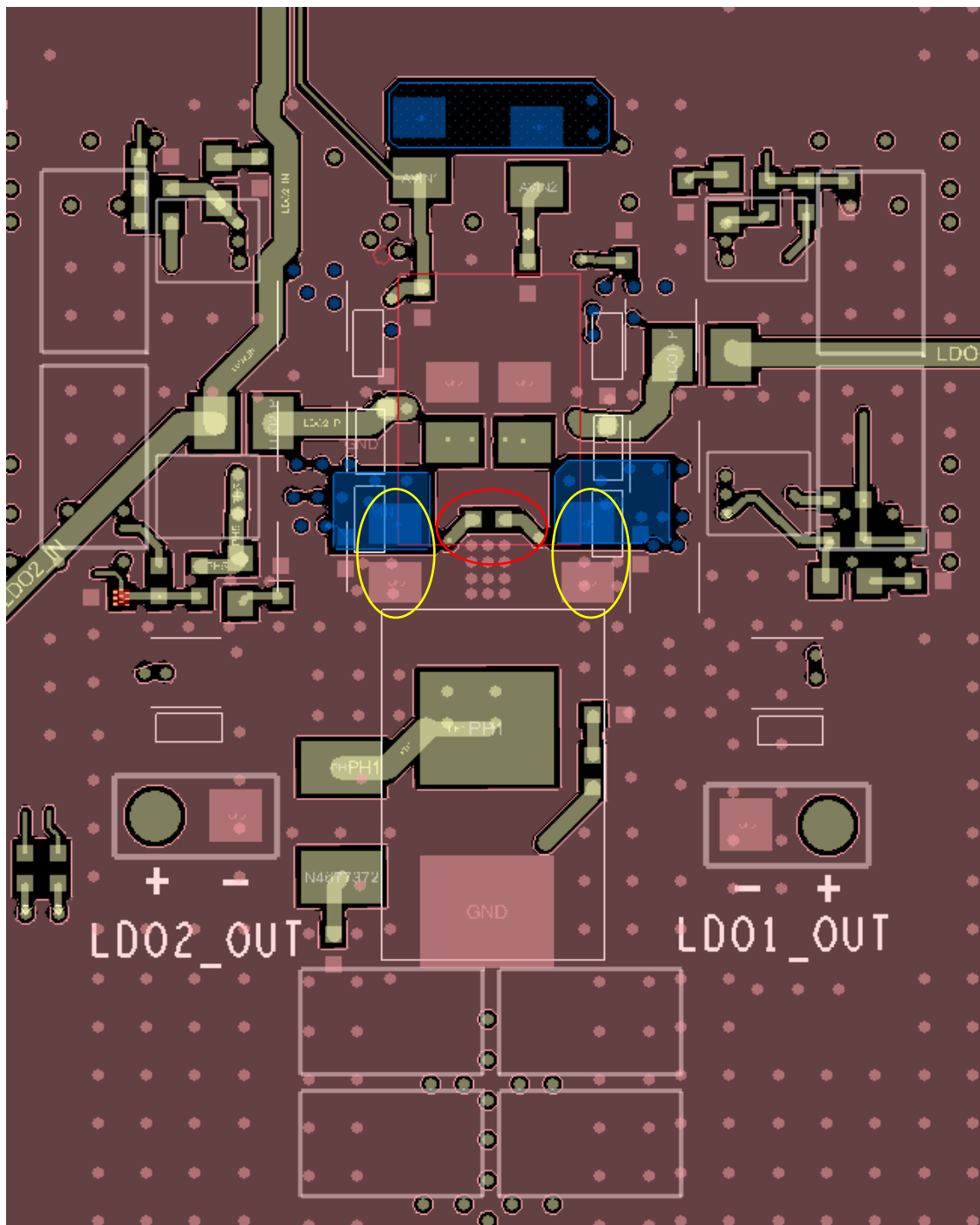


Figure 38. PCB Example 2, Bottom Layer Showing Bootstrap Capacitor and Buck1 Input Capacitors

## 11. Package Outline Drawing

The package outline drawings are located at the end of this document and are accessible from the Renesas website. The package information is the most current data available and is subject to change without revision of this document.

## 12. Ordering Information

Part Number <sup>[1][2][3]</sup>	Part Marking	Package Description (RoHS Compliant)	Pkg. Dwg. #	Carrier Type <sup>[3]</sup>	Temp Range
RAA271000A4HBG#AC0	RA271000 A4HBG	60 Ball FCCSP	<a href="#">V60.5.71x8.46</a>	Tray	-40 to +125°C
RTKA271000E00000BU	Comprehensive Evaluation Board				
RTKA271000DE0000BU	Compact Reference Board				

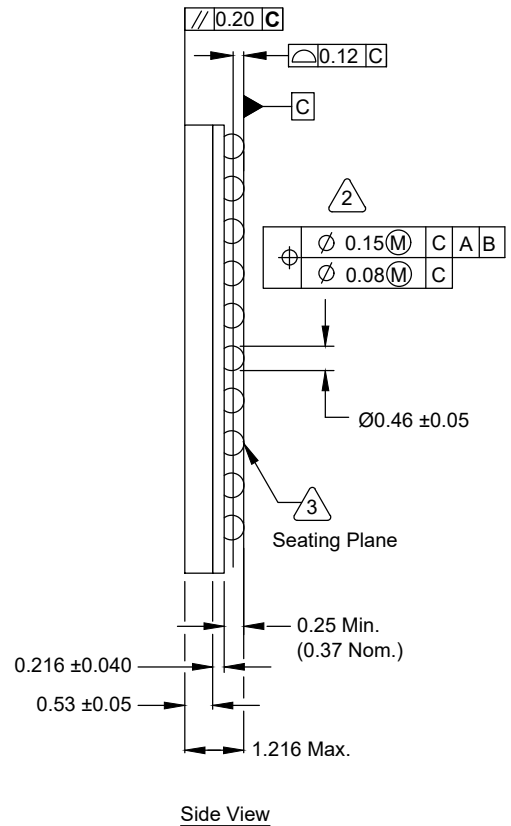
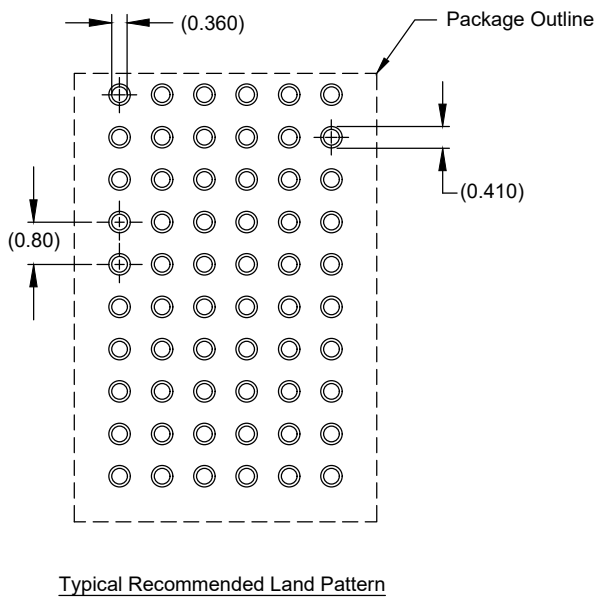
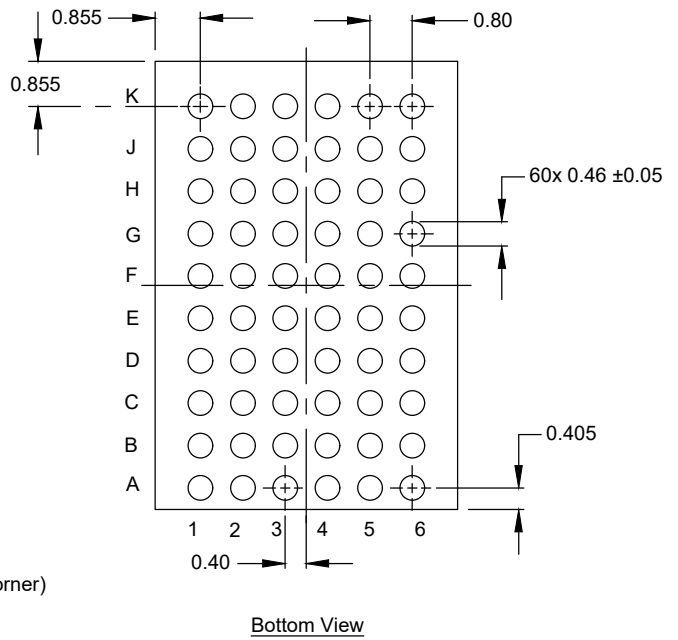
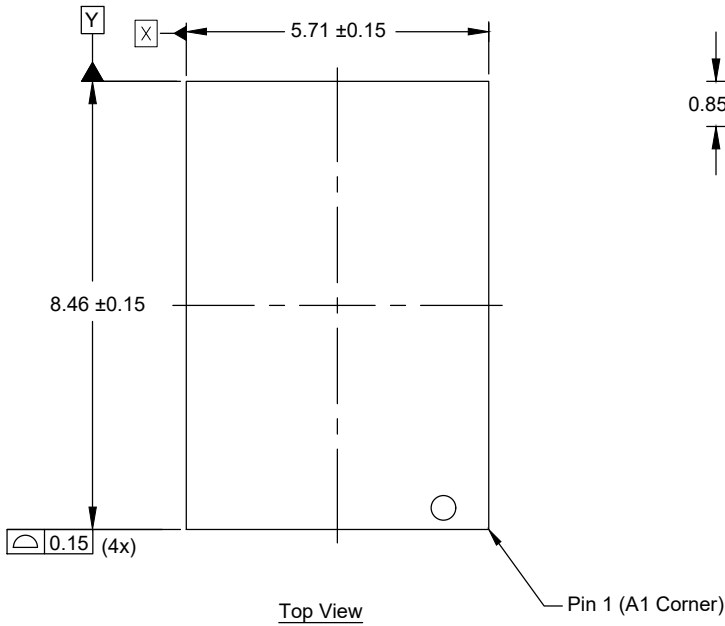
1. These Pb-free WLCSP packaged products employ special Pb-free material sets; molding compounds/die attach materials and SnAgCu - e6 solder ball terminals, which are RoHS compliant and compatible with both SnPb and Pb-free soldering operations. Pb-free WLCSP packaged products are MSL classified at Pb-free peak reflow temperatures that meet or exceed the Pb-free requirements of IPC/JEDEC J-STD-020.
2. For Moisture Sensitivity Level (MSL), see the [RAA271000](#) product page. For more information about MSL, see [TB363](#).
3. For additional part OTP options and carrier type, contact your local sales office.

### 13. Revision History

Rev.	Date	Description
2.02	Jun 23, 2025	<p>Updated the minimum and maximum for the following Protection parameters from -25% to -20% and 25% to 20%, respectively.</p> <ul style="list-style-type: none"> <li>-Buck 1 Positive Current Limit</li> <li>-Buck 1 Negative Current Limit</li> <li>-Buck 2-3 Positive Current Limit</li> <li>-Buck 2-3 Negative Current Limit</li> <li>-Buck 4-5 Positive Current Limit</li> <li>-Buck 4-5 Negative Current Limit</li> </ul>
2.01	Nov 26, 2024	<p>Removed Feature: "Programmable current limits for all bucks".</p> <p>3.5, Electrical Specifications: updated Test Conditions, Min, and Max for the Protection parameters.</p> <p>5.1, Power Sequencing, updated "0ms to 63ms in 1ms steps" to "0ms to 67ms in 1.07ms steps".</p> <p>6.1.1.1, Write Operation, updated first paragraph, Removed second paragraph.</p> <p>6.1.1.2, Read Operation, updated text. Removed last paragraph.</p> <p>6.1.2, SPI Configuration, updated IO_SPIMODE.</p> <p>6.2.1.1, Write Operation, updated text.</p> <p>6.2.1.2, Read Operation, updated text.</p> <p>7.3.2, Table 18, updated Notes for Buck1 to Buck5.</p> <p>For the following Registers, updated the Default for Bit 3:</p> <ul style="list-style-type: none"> <li>▪ 0x32 - FLT_MASK_BUCK1</li> <li>▪ 0x33 - FLT_MASK_BUCK2</li> <li>▪ 0x34 - FLT_MASK_BUCK3</li> <li>▪ 0x35 - FLT_MASK_BUCK4</li> <li>▪ 0x36 - FLT_MASK_BUCK5</li> </ul> <p>For the following Registers, updated Bit 3 to Reserved:</p> <ul style="list-style-type: none"> <li>▪ 0x42 - FLT_RECORD_BUCK1</li> <li>▪ 0x43 - FLT_RECORD_BUCK2</li> <li>▪ 0x44 - FLT_RECORD_BUCK3</li> <li>▪ 0x45 - FLT_RECORD_BUCK4</li> <li>▪ 0x46 - FLT_RECORD_BUCK5</li> </ul> <p>In the Description for the following Registers, updated the Delay for Bit [5:0], from 1ms/LSB to 1.07ms/LSB:</p> <ul style="list-style-type: none"> <li>▪ 0x76 - BUCK1_EN_DLY</li> <li>▪ 0x77 - BUCK1_SHUTDOWN_DLY</li> <li>▪ 0x86 - BUCK2_EN_DLY</li> <li>▪ 0x87 - BUCK2_SHUTDOWN_DLY</li> <li>▪ 0x96 - BUCK3_EN_DLY</li> <li>▪ 0x97 - BUCK3_SHUTDOWN_DLY</li> <li>▪ 0xA6 - BUCK4_EN_DLY</li> <li>▪ 0xA7 - BUCK4_SHUTDOWN_DLY</li> <li>▪ 0xB6 - BUCK5_EN_DLY</li> <li>▪ 0xB7 - BUCK5_SHUTDOWN_DLY</li> <li>▪ 0xC3 - LDO1_EN_DLY</li> <li>▪ 0xC4 - LDO1_SHUTDOWN_DLY</li> <li>▪ 0xC5 - LDO2_EN_DLY</li> <li>▪ 0xC6 - LDO2_SHUTDOWN_DLY</li> <li>0xC7 - HICCUP_RESTRT_DLY</li> </ul>



<b>Rev.</b>	<b>Date</b>	<b>Description</b>
1.01	May 23, 2022	Updated POD V60.5.71x8.46 to the latest version, changes are as follows: <ul style="list-style-type: none"><li>▪ On Bottom View: Corrected typo, changed ball qty from 35x to 60x.</li><li>▪ Revised Title from Low Profile Ball Grid Array Package (LFBGA) to Flip Chip - Chip Scale Package (FCCSP).</li><li>▪ Updated Typical land pattern circles so they are easily distinguished from one another. No dimension changes were made to the POD.</li></ul> Updated Note 1 in the Ordering Information table.
1.00	Oct 4, 2021	Initial release



**Notes:**

- All dimensions and tolerances conform to ASME Y14.5 - 2009.
- Dimension is measured at the maximum solder ball diameter, parallel to primary datum **C**.
- Primary datum **C** and seating plane are defined by the spherical crowns of the solder balls.
- Unless otherwise specified, dimensions are in millimeters.

## Notice

1. Descriptions of circuits, software and other related information in this document are provided only to illustrate the operation of semiconductor products and application examples. You are fully responsible for the incorporation or any other use of the circuits, software, and information in the design of your product or system. Renesas Electronics disclaims any and all liability for any losses and damages incurred by you or third parties arising from the use of these circuits, software, or information.
2. Renesas Electronics hereby expressly disclaims any warranties against and liability for infringement or any other claims involving patents, copyrights, or other intellectual property rights of third parties, by or arising from the use of Renesas Electronics products or technical information described in this document, including but not limited to, the product data, drawings, charts, programs, algorithms, and application examples.
3. No license, express, implied or otherwise, is granted hereby under any patents, copyrights or other intellectual property rights of Renesas Electronics or others.
4. You shall be responsible for determining what licenses are required from any third parties, and obtaining such licenses for the lawful import, export, manufacture, sales, utilization, distribution or other disposal of any products incorporating Renesas Electronics products, if required.
5. You shall not alter, modify, copy, or reverse engineer any Renesas Electronics product, whether in whole or in part. Renesas Electronics disclaims any and all liability for any losses or damages incurred by you or third parties arising from such alteration, modification, copying or reverse engineering.
6. Renesas Electronics products are classified according to the following two quality grades: "Standard" and "High Quality". The intended applications for each Renesas Electronics product depends on the product's quality grade, as indicated below.

"Standard": Computers; office equipment; communications equipment; test and measurement equipment; audio and visual equipment; home electronic appliances; machine tools; personal electronic equipment; industrial robots; etc.

"High Quality": Transportation equipment (automobiles, trains, ships, etc.); traffic control (traffic lights); large-scale communication equipment; key financial terminal systems; safety control equipment; etc.

Unless expressly designated as a high reliability product or a product for harsh environments in a Renesas Electronics data sheet or other Renesas Electronics document, Renesas Electronics products are not intended or authorized for use in products or systems that may pose a direct threat to human life or bodily injury (artificial life support devices or systems; surgical implantations; etc.), or may cause serious property damage (space system; undersea repeaters; nuclear power control systems; aircraft control systems; key plant systems; military equipment; etc.). Renesas Electronics disclaims any and all liability for any damages or losses incurred by you or any third parties arising from the use of any Renesas Electronics product that is inconsistent with any Renesas Electronics data sheet, user's manual or other Renesas Electronics document.
7. No semiconductor product is absolutely secure. Notwithstanding any security measures or features that may be implemented in Renesas Electronics hardware or software products, Renesas Electronics shall have absolutely no liability arising out of any vulnerability or security breach, including but not limited to any unauthorized access to or use of a Renesas Electronics product or a system that uses a Renesas Electronics product. RENESAS ELECTRONICS DOES NOT WARRANT OR GUARANTEE THAT RENESAS ELECTRONICS PRODUCTS, OR ANY SYSTEMS CREATED USING RENESAS ELECTRONICS PRODUCTS WILL BE INVULNERABLE OR FREE FROM CORRUPTION, ATTACK, VIRUSES, INTERFERENCE, HACKING, DATA LOSS OR THEFT, OR OTHER SECURITY INTRUSION ("Vulnerability Issues"). RENESAS ELECTRONICS DISCLAIMS ANY AND ALL RESPONSIBILITY OR LIABILITY ARISING FROM OR RELATED TO ANY VULNERABILITY ISSUES. FURTHERMORE, TO THE EXTENT PERMITTED BY APPLICABLE LAW, RENESAS ELECTRONICS DISCLAIMS ANY AND ALL WARRANTIES, EXPRESS OR IMPLIED, WITH RESPECT TO THIS DOCUMENT AND ANY RELATED OR ACCOMPANYING SOFTWARE OR HARDWARE, INCLUDING BUT NOT LIMITED TO THE IMPLIED WARRANTIES OF MERCHANTABILITY, OR FITNESS FOR A PARTICULAR PURPOSE.
8. When using Renesas Electronics products, refer to the latest product information (data sheets, user's manuals, application notes, "General Notes for Handling and Using Semiconductor Devices" in the reliability handbook, etc.), and ensure that usage conditions are within the ranges specified by Renesas Electronics with respect to maximum ratings, operating power supply voltage range, heat dissipation characteristics, installation, etc. Renesas Electronics disclaims any and all liability for any malfunctions, failure or accident arising out of the use of Renesas Electronics products outside of such specified ranges.
9. Although Renesas Electronics endeavors to improve the quality and reliability of Renesas Electronics products, semiconductor products have specific characteristics, such as the occurrence of failure at a certain rate and malfunctions under certain use conditions. Unless designated as a high reliability product or a product for harsh environments in a Renesas Electronics data sheet or other Renesas Electronics document, Renesas Electronics products are not subject to radiation resistance design. You are responsible for implementing safety measures to guard against the possibility of bodily injury, injury or damage caused by fire, and/or danger to the public in the event of a failure or malfunction of Renesas Electronics products, such as safety design for hardware and software, including but not limited to redundancy, fire control and malfunction prevention, appropriate treatment for aging degradation or any other appropriate measures. Because the evaluation of microcomputer software alone is very difficult and impractical, you are responsible for evaluating the safety of the final products or systems manufactured by you.
10. Please contact a Renesas Electronics sales office for details as to environmental matters such as the environmental compatibility of each Renesas Electronics product. You are responsible for carefully and sufficiently investigating applicable laws and regulations that regulate the inclusion or use of controlled substances, including without limitation, the EU RoHS Directive, and using Renesas Electronics products in compliance with all these applicable laws and regulations. Renesas Electronics disclaims any and all liability for damages or losses occurring as a result of your noncompliance with applicable laws and regulations.
11. Renesas Electronics products and technologies shall not be used for or incorporated into any products or systems whose manufacture, use, or sale is prohibited under any applicable domestic or foreign laws or regulations. You shall comply with any applicable export control laws and regulations promulgated and administered by the governments of any countries asserting jurisdiction over the parties or transactions.
12. It is the responsibility of the buyer or distributor of Renesas Electronics products, or any other party who distributes, disposes of, or otherwise sells or transfers the product to a third party, to notify such third party in advance of the contents and conditions set forth in this document.
13. This document shall not be reprinted, reproduced or duplicated in any form, in whole or in part, without prior written consent of Renesas Electronics.
14. Please contact a Renesas Electronics sales office if you have any questions regarding the information contained in this document or Renesas Electronics products.

(Note1) "Renesas Electronics" as used in this document means Renesas Electronics Corporation and also includes its directly or indirectly controlled subsidiaries.

(Note2) "Renesas Electronics product(s)" means any product developed or manufactured by or for Renesas Electronics.

(Disclaimer Rev.5.0-1)

## Corporate Headquarters

TOYOSU FORESIA, 3-2-24 Toyosu,  
Koto-ku, Tokyo 135-0061, Japan  
[www.renesas.com](http://www.renesas.com)

## Trademarks

Renesas and the Renesas logo are trademarks of Renesas Electronics Corporation. All trademarks and registered trademarks are the property of their respective owners.

## Contact Information

For further information on a product, technology, the most up-to-date version of a document, or your nearest sales office, please visit:  
[www.renesas.com/contact/](http://www.renesas.com/contact/)