

T-Sensor(AT40LTPS00002027T36A0) Datasheet

Temperature Sensor IP

Overview

The Renesas Temperature Sensor IP including Analog Buffer outputs a analog voltage which corresponds to the detected temperature of LSI.

Key Features

- Temperature range : -40 to 125 degree C
- Relative accuracy : +/-0.5 deg. C @ -40 to 105 deg. C, +/-1 deg. C @ 105 to 125 deg.C
(with 2 points calibration)

Technology

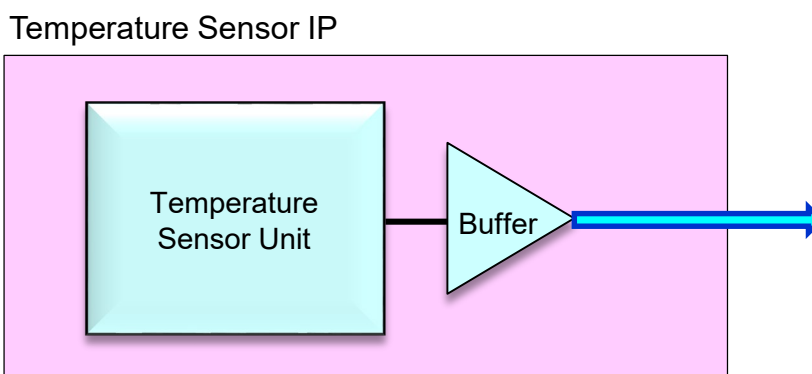
- Process : T40LP
- Available metallization technologies : 4x2y1z

Electrical characteristic

Parameter		Min	Typ	Max	Unit
Analog Voltage		2.7		3.6	V
Digital Voltage		1.04		1.26	V
Temperature Range		-40		125	deg. C
Relative Accuracy (*Note)	-40 to 105 deg. C	-0.5		+0.5	deg. C
	105 to 125 deg. C	-1.0		+1.0	deg. C
Output Impedance					ohm

*Note: 2 points calibration is needed every IP.

Block Diagram



**This IP is contract design IP. Please contact for detail.*