

General Description

The 843021 is a Gigabit Ethernet Clock Generator. The ICS84302 uses a 25MHz crystal to synthesize 125MHz. The 843021 has excellent phase jitter performance, over the 1.875MHz – 20MHz integration range. The 843021 is packaged in a small 8-pin TSSOP, making it ideal for use in systems with limited board space.

Features

- One differential 3.3V LVPECL output
- Crystal oscillator interface designed for 22.4MHz – 28MHz, 18pF parallel resonant crystal
- Output frequency range: 112MHz – 140MHz
- VCO range: 560MHz – 700MHz
- Output duty cycle range: 49% – 51%
- RMS phase jitter at 125MHz, using a 25MHz crystal (1.875MHz – 20MHz): 0.650ps (typical)

Offset Noise Power

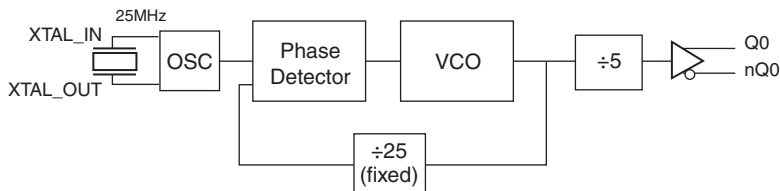
| | |
|-------------|---------------|
| 100Hz..... | -94.2 dBc/Hz |
| 1kHz..... | -122.8 dBc/Hz |
| 10kHz..... | -132.2 dBc/Hz |
| 100kHz..... | -131.3 dBc/Hz |

- Full 3.3V supply mode
- 0°C to 70°C ambient operating temperature
- Available in lead-free (RoHS 6) package
- Industrial temperature information available upon request

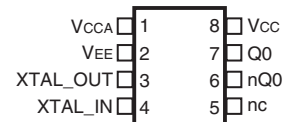
Table 1. Frequency Table - Typical Applications

| Inputs | Output Frequency Range (MHz) |
|-------------------------|------------------------------|
| Crystal Frequency (MHz) | |
| 25 | 125 |
| 26.6 | 133 |

Block Diagram



Pin Assignment



843021

8 Lead TSSOP

4.40mm x 3.0mm x 0.925 package body

G Package

Top View

Table 2. Pin Descriptions

| Number | Name | Type | Description |
|---------|---------------------|--------|---|
| 1 | V _{CCA} | Unused | Analog supply pin. |
| 2 | V _{EE} | Power | Negative supply pin. |
| 3, 4 | XTAL_OUT XTAL_IN | Input | Crystal oscillator interface. XTAL_IN is the input, XTAL_OUT is the output. |
| 5 | nc | Unused | No connect. |
| 6, 7 | nQ0, Q0 | Output | Differential output pair. LVPECL interface levels. |
| 8 | V _{CC} | Power | Core supply pin. |

Table 3. Pin Characteristics

| Symbol | Parameter | Test Conditions | Minimum | Typical | Maximum | Units |
|-----------------|-------------------|-----------------|---------|---------|---------|-------|
| C _{IN} | Input Capacitance | | | 4 | | pF |

Absolute Maximum Ratings

NOTE: Stresses beyond those listed under *Absolute Maximum Ratings* may cause permanent damage to the device. These ratings are stress specifications only. Functional operation of product at these conditions or any conditions beyond those listed in the *DC Characteristics* or *AC Characteristics* is not implied. Exposure to absolute maximum rating conditions for extended periods may affect product reliability.

| Item | Rating |
|---|---------------------------------|
| Supply Voltage, V _{CC} | 4.6V |
| Inputs, V _I | -0.5V to V _{CC} + 0.5V |
| Outputs, I _O Continuos Current Surge Current | 50mA 100mA |
| Package Thermal Impedance, θ _{JA} | 101.7°C/W (0 mps) |
| Storage Temperature, T _{STG} | -65°C to 150°C |

DC Electrical Characteristics

Table 4A. Power Supply DC Characteristics, V_{CC} = 3.3V ± 10%, V_{EE} = 0V, T_A = 0°C to 70°C

| Symbol | Parameter | Test Conditions | Minimum | Typical | Maximum | Units |
|------------------|-----------------------|-----------------|---------|---------|---------|-------|
| V _{CC} | Core Supply Voltage | | 2.97 | 3.3 | 3.63 | V |
| V _{CCA} | Analog Supply Voltage | | 2.97 | 3.3 | 3.63 | V |
| I _{EE} | Power Supply Current | | | | 85 | mA |

Table 4B. LVPECL DC Characteristics, $V_{CC} = 3.3V \pm 10\%$, $V_{EE} = 0V$, $T_A = 0^\circ C$ to $70^\circ C$

| Symbol | Parameter | Test Conditions | Minimum | Typical | Maximum | Units |
|-------------|-----------------------------------|-----------------|----------------|---------|----------------|-------|
| V_{OH} | Output High Voltage; NOTE 1 | | $V_{CC} - 1.4$ | | $V_{CC} - 0.9$ | V |
| V_{OL} | Output Low Voltage; NOTE 1 | | $V_{CC} - 2.0$ | | $V_{CC} - 1.7$ | V |
| V_{SWING} | Peak-to-Peak Output Voltage Swing | | 0.6 | | 1.0 | V |

NOTE 1: Outputs termination with 50Ω to $V_{CC} - 2V$.

Table 5. Crystal Characteristics

| Parameter | Test Conditions | Minimum | Typical | Maximum | Units |
|------------------------------------|-----------------|-------------|---------|---------|----------|
| Mode of Oscillation | | Fundamental | | | |
| Frequency; NOTE 1 | | 14 | | 40 | MHz |
| Equivalent Series Resistance (ESR) | | | | 50 | Ω |
| Shunt Capacitance | | | | 7 | pF |

NOTE 1: Input frequency is limited to a range of 22.4MHz – 28MHz due to VCO range.

AC Electrical Characteristics

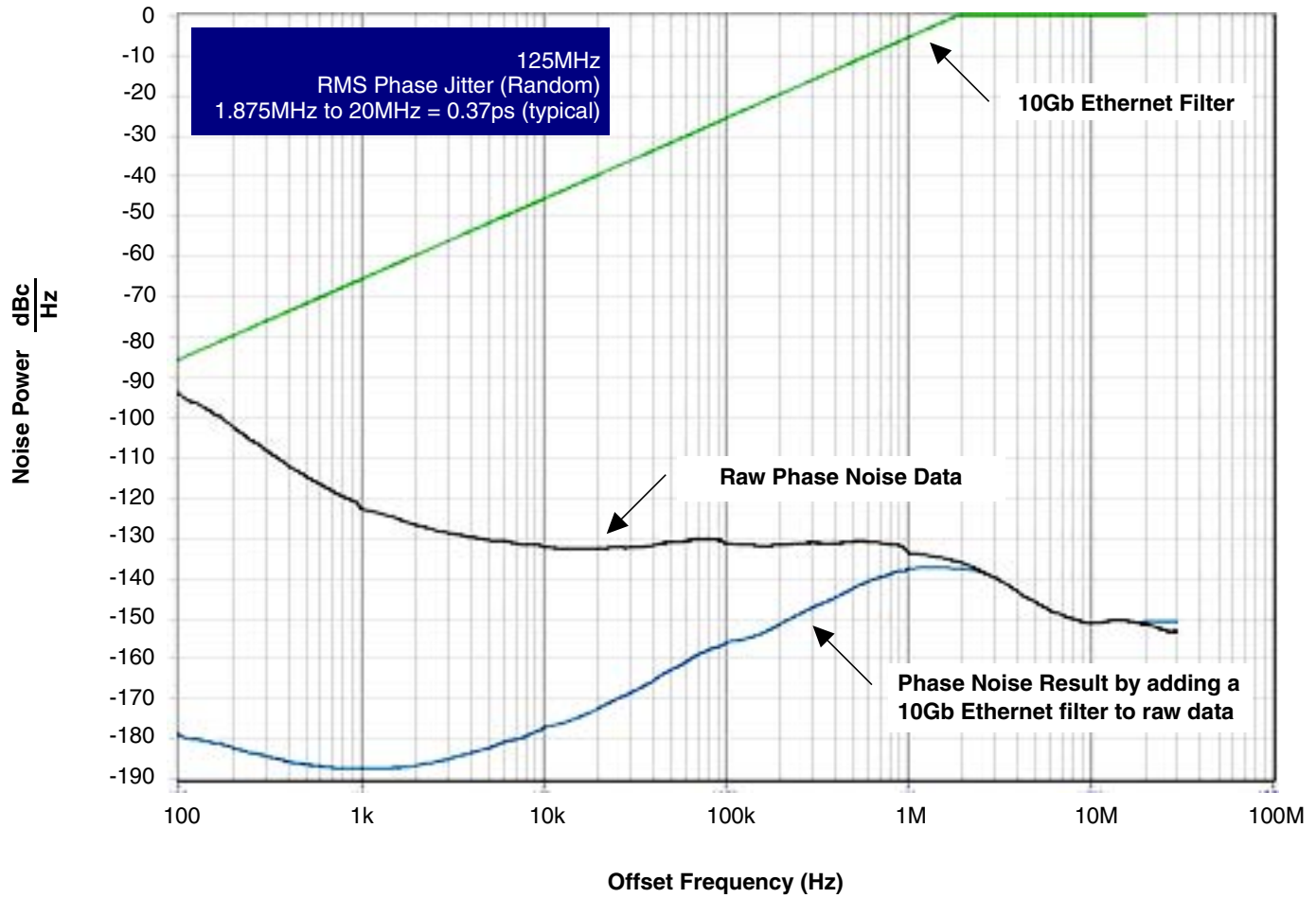
Table 6. AC Characteristics, $V_{CC} = 3.3V \pm 10\%$, $V_{EE} = 0V$, $T_A = 0^\circ C$ to 70°

| Symbol | Parameter | Test Conditions | Minimum | Typical | Maximum | Units |
|-----------------------------------|----------------------------------|--|---------|---------|---------|-------|
| f_{OUT} | Output Frequency | | 112 | | 140 | MHz |
| $\overset{\circ}{j}it(\emptyset)$ | RMS Phase Jitter, Random; NOTE 1 | 125MHz, Integration Range: 1.875MHz – 20MHz | | 0.37 | 0.65 | ps |
| t_R / t_F | Output Rise/Fall Time | 20% to 80% | 250 | | 550 | ps |
| odc | Output Duty Cycle | | 49 | | 51 | % |

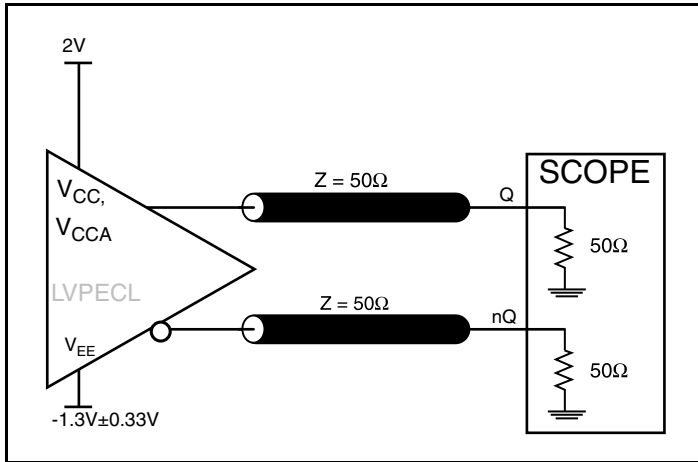
NOTE: Electrical parameters are guaranteed over the specified ambient operating temperature range, which is established when the device is mounted in a test socket with maintained transverse airflow greater than 500 lfm. The device will meet specifications after thermal equilibrium has been reached under these conditions.

NOTE 1: Refer to Phase Noise Plot.

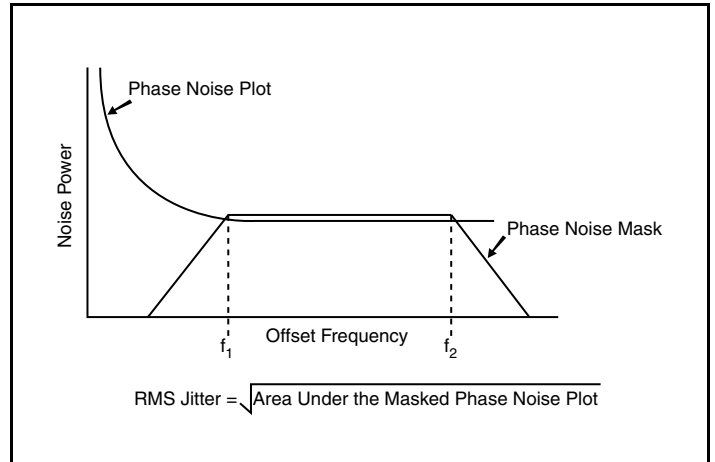
Typical Phase Noise at 125MHz



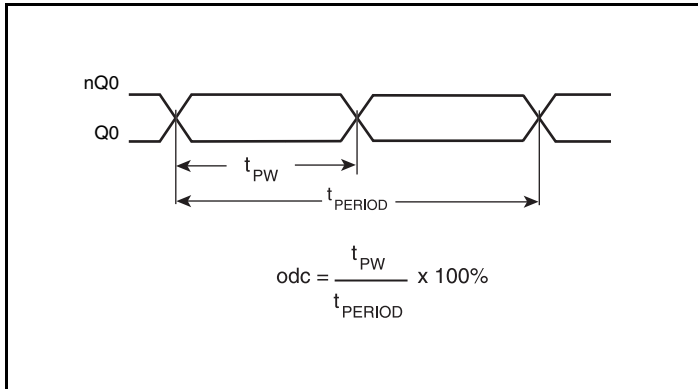
Parameter Measurement Information



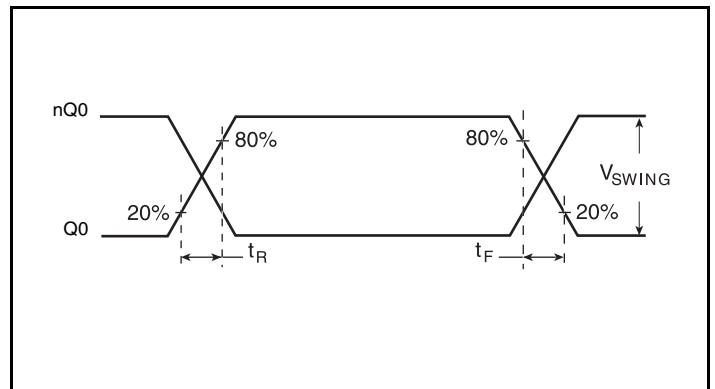
3.3V LVPECL Output Load AC Test Circuit



RMS Phase Jitter



Output Duty Cycle/Pulse Width/Period



Output Rise/Fall Time

Applications Information

Power Supply Filtering Technique

As in any high speed analog circuitry, the power supply pins are vulnerable to random noise. To achieve optimum jitter performance, power supply isolation is required. The 843021 provides separate power supplies to isolate any high switching noise from the outputs to the internal PLL. V_{CC} and V_{CCA} should be individually connected to the power supply plane through vias, and $0.01\mu\text{F}$ bypass capacitors should be used for each pin. *Figure 1* illustrates this for a generic V_{CC} pin and also shows that V_{CCA} requires that an additional 10Ω resistor along with a $10\mu\text{F}$ bypass capacitor be connected to the V_{CCA} pin.

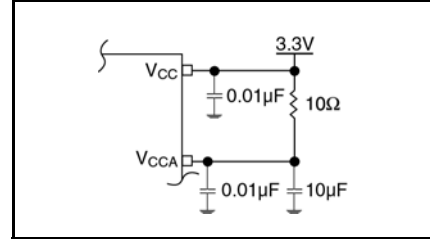


Figure 1. Power Supply Filtering

Crystal Input Interface

The 843021 has been characterized with 18pF parallel resonant crystals. The capacitor values, $C1$ and $C2$, shown in *Figure 2* below were determined using a 25MHz , 18pF parallel resonant crystal and

were chosen to minimize the ppm error. The optimum $C1$ and $C2$ values can be slightly adjusted for different board layouts.

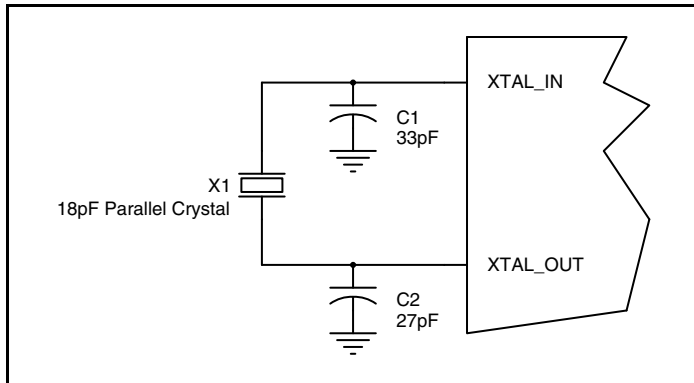


Figure 2. Crystal Input Interface

Overdriving the XTAL Interface

The XTAL_IN input can accept a single-ended LVCMOS signal through an AC coupling capacitor. A general interface diagram is shown in *Figure 3A*. The XTAL_OUT pin can be left floating. The maximum amplitude of the input signal should not exceed 2V and the input edge rate can be as slow as 10ns. This configuration requires that the output impedance of the driver (R_o) plus the series resistance (R_s) equals the transmission line impedance. In addition,

matched termination at the crystal input will attenuate the signal in half. This can be done in one of two ways. First, R_1 and R_2 in parallel should equal the transmission line impedance. For most 50Ω applications, R_1 and R_2 can be 100Ω . This can also be accomplished by removing R_1 and making R_2 50Ω . By overdriving the crystal oscillator, the device will be functional, but note, the device performance is guaranteed by using a quartz crystal.

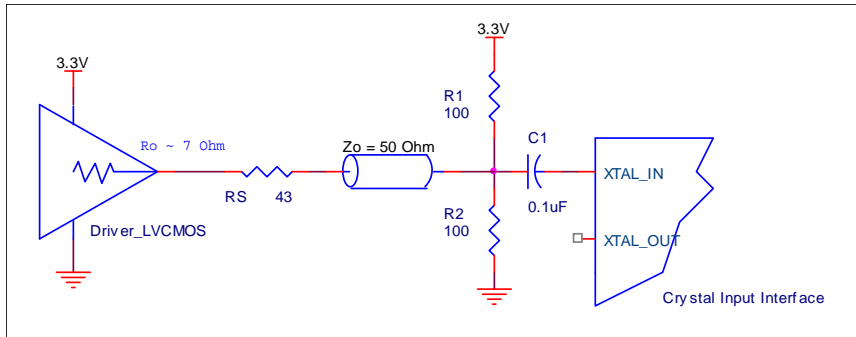


Figure 3A. General Diagram for LVCMOS Driver to XTAL Input Interface

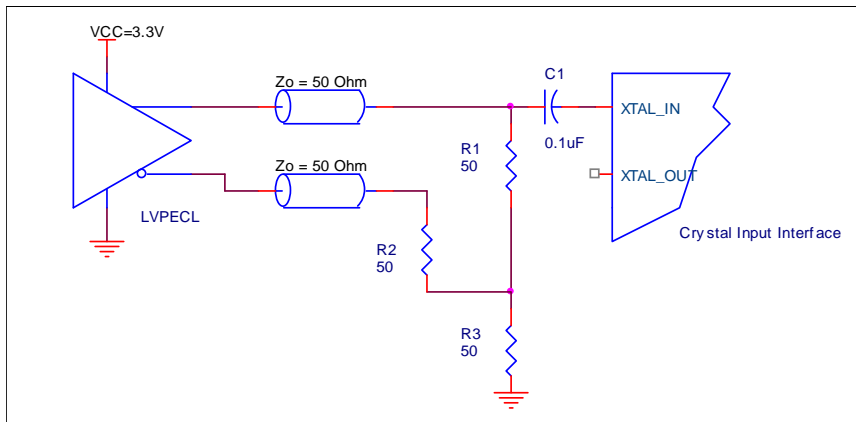


Figure 3B. General Diagram for LVPECL Driver to XTAL Input Interface

Termination for 3.3V LVPECL Outputs

The clock layout topology shown below is a typical termination for LVPECL outputs. The two different layouts mentioned are recommended only as guidelines.

The differential outputs are low impedance follower outputs that generate ECL/LVPECL compatible outputs. Therefore, terminating resistors (DC current path to ground) or current sources must be used for functionality. These outputs are designed to drive 50Ω

transmission lines. Matched impedance techniques should be used to maximize operating frequency and minimize signal distortion.

Figures 4A and 4B show two different layouts which are recommended only as guidelines. Other suitable clock layouts may exist and it would be recommended that the board designers simulate to guarantee compatibility across all printed circuit and clock component process variations.

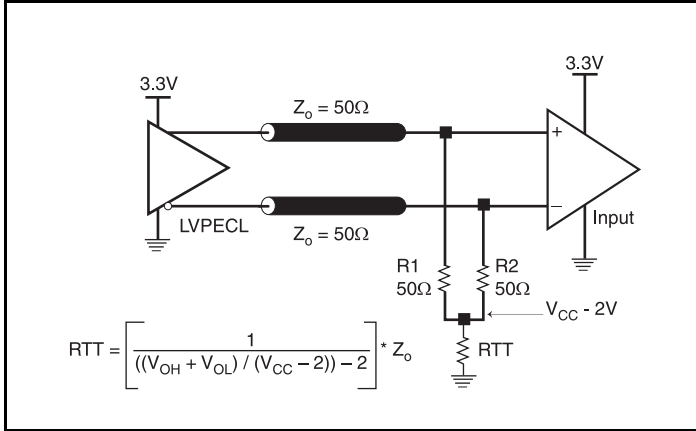


Figure 4A. 3.3V LVPECL Output Termination

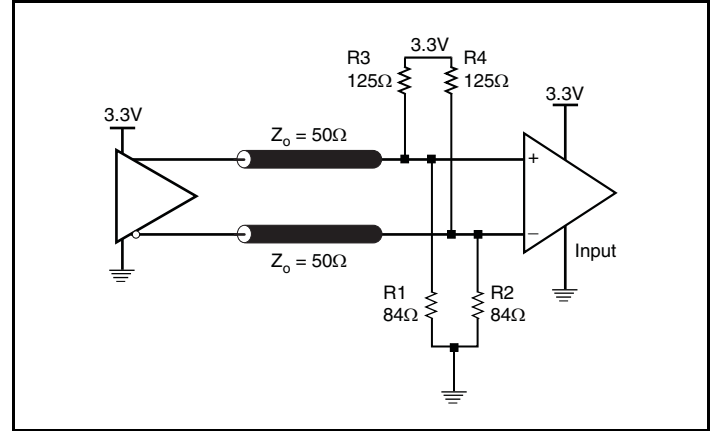


Figure 4B. 3.3V LVPECL Output Termination

Schematic Example

Figure 5A shows a schematic example of using an 843021. An example of LVPECL termination is shown in this schematic. Additional LVPECL termination approaches are shown in the LVPECL Termination Application Note. In this example, an 18pF

parallel resonant crystal is used for generating 125MHz output frequency. The C1 = 27pF and C2 = 33pF are recommended for frequency accuracy. For a different board layout, the C1 and C2 values may be slightly adjusted for optimizing frequency accuracy.

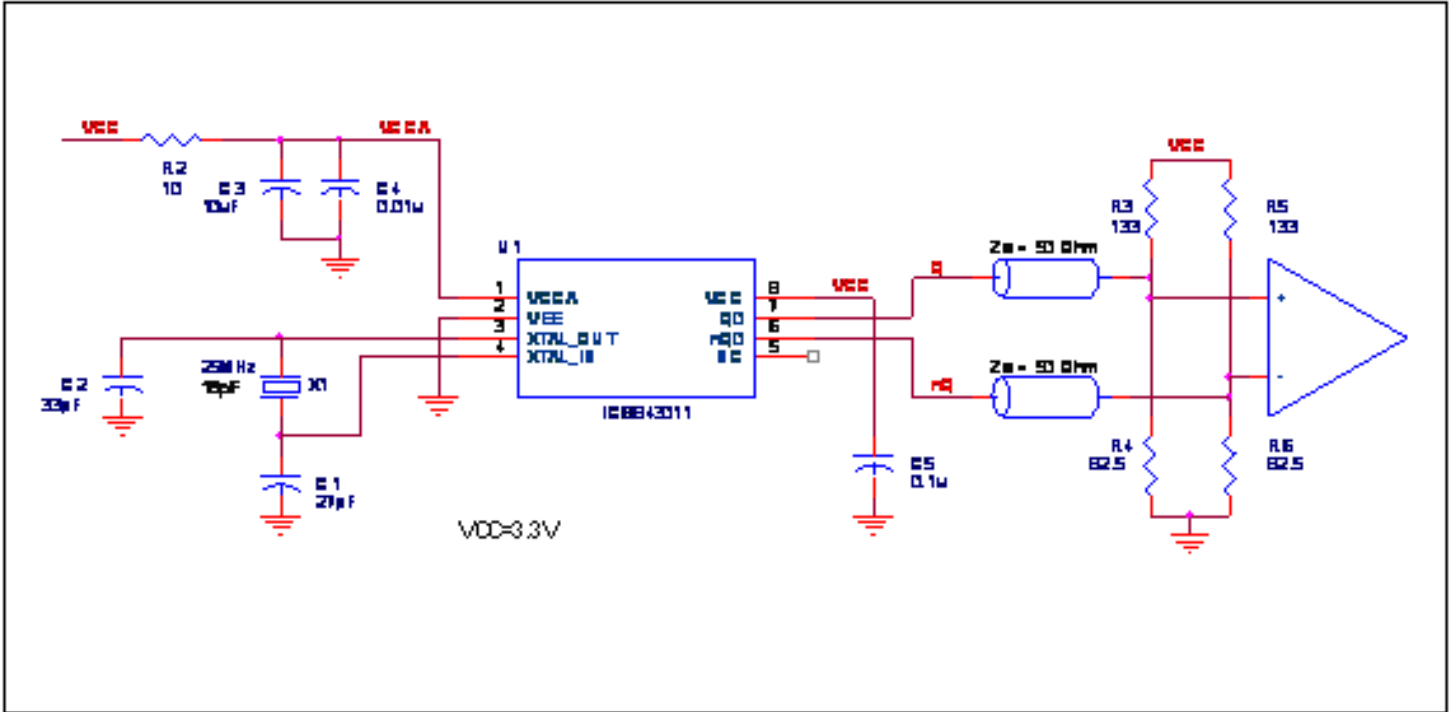


Figure 5. 843021 Schematic Example

Schematic Example

Figure 5B shows an example of 843021 P.C. board layout. The crystal X1 footprint shown in this example allows installation of either surface mount HC49S or through-hole HC49 package. The footprints of other components in this example are listed in the Table 7 There should be

at least one decoupling capacitor per power pin. The decoupling capacitors should be located as close as possible to the power pins. The layout assumes that the board has clean analog power ground plane.

Table 7. Footprint Table

| Reference | Size |
|-----------|------|
| C1, C2 | 0402 |
| C3 | 0805 |
| C4, C5 | 0603 |
| R2 | 0603 |

NOTE: Table 7 lists component sizes shown in this layout example.

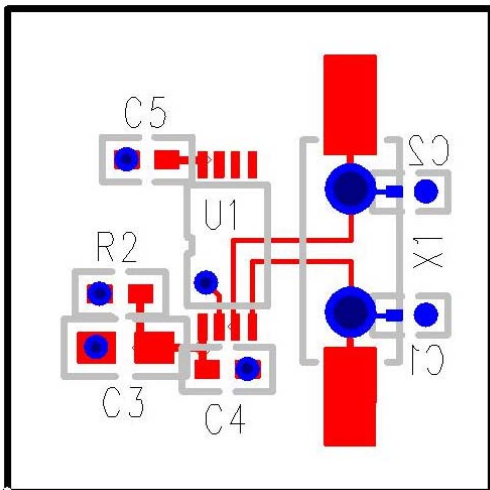


Figure 5B. 843021 PC Board Layout Example

Power Considerations

This section provides information on power dissipation and junction temperature for the 843021. Equations and example calculations are also provided.

1. Power Dissipation.

The total power dissipation for the 843021 is the sum of the core power plus the power dissipated in the load(s). The following is the power dissipation for $V_{CC} = 3.3V + 10\% = 3.63V$, which gives worst case results.

NOTE: Please refer to Section 3 for details on calculating power dissipated in the load.

- Power (core)_{MAX} = $V_{CC_MAX} * I_{EE_MAX} = 3.63V * 85mA = \mathbf{308.6mW}$
- Power (outputs)_{MAX} = **30mW/Loaded Output pair**

Total Power_{MAX} (3.63V, with all outputs switching) = 308.6mW + 30mW = **338.6mW**

2. Junction Temperature.

Junction temperature, T_j, is the temperature at the junction of the bond wire and bond pad directly affects the reliability of the device. The maximum recommended junction temperature is 125°C. Limiting the internal transistor junction temperature, T_j, to 125°C ensures that the bond wire and bond pad temperature remains below 125°C.

The equation for T_j is as follows: $T_j = \theta_{JA} * Pd_{total} + T_A$

T_j = Junction Temperature

θ_{JA} = Junction-to-Ambient Thermal Resistance

Pd_{total} = Total Device Power Dissipation (example calculation is in section 1 above)

T_A = Ambient Temperature

In order to calculate junction temperature, the appropriate junction-to-ambient thermal resistance θ_{JA} must be used. Assuming a moderate air flow of 200 linear feet per minute and a multi-layer board, the appropriate value is 90.5°C/W per Table 8 below.

Therefore, T_j for an ambient temperature of 70°C with all outputs switching is:

$$70^\circ\text{C} + 0.339\text{W} * 90.5^\circ\text{C}/\text{W} = 100.7^\circ\text{C}. \text{ This is below the limit of } 125^\circ\text{C}.$$

This calculation is only an example. T_j will obviously vary depending on the number of loaded outputs, supply voltage, air flow and the type of board (multi-layer).

Table 8. Thermal Resistance θ_{JA} for 8 Lead TSSOP, Forced Convection

| θ_{JA} vs. Air Flow | | | |
|---|-----------|----------|----------|
| Meters per Second | 0 | 1 | 2.5 |
| Multi-Layer PCB, JEDEC Standard Test Boards | 101.7°C/W | 90.5°C/W | 89.8°C/W |

3. Calculations and Equations.

The purpose of this section is to calculate the power dissipation for the LVPECL output pair.

LVPECL output driver circuit and termination are shown in *Figure 6*.

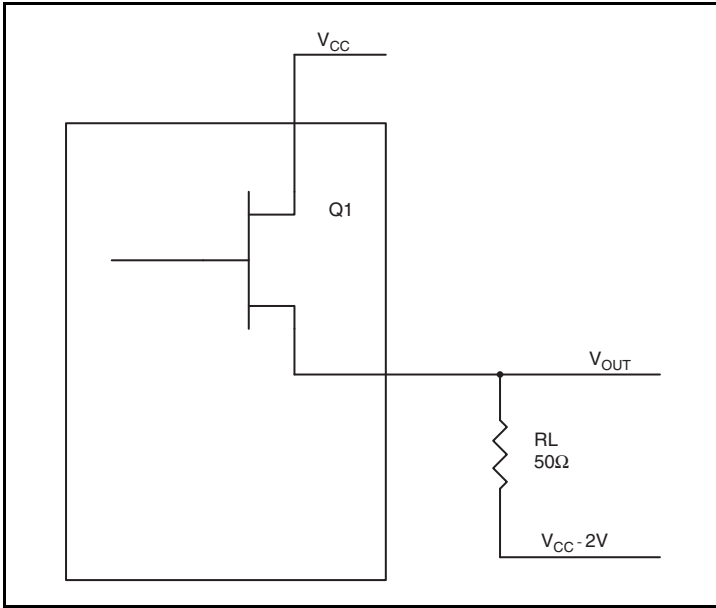


Figure 6. LVPECL Driver Circuit and Termination

To calculate worst case power dissipation into the load, use the following equations which assume a 50Ω load, and a termination voltage of $V_{CC} - 2V$.

- For logic high, $V_{OUT} = V_{OH_MAX} = V_{CC_MAX} - 0.9V$
 $(V_{CC_MAX} - V_{OH_MAX}) = 0.9V$
- For logic low, $V_{OUT} = V_{OL_MAX} = V_{CC_MAX} - 1.7V$
 $(V_{CC_MAX} - V_{OL_MAX}) = 1.7V$

Pd_H is power dissipation when the output drives high.

Pd_L is the power dissipation when the output drives low.

$$Pd_H = [(V_{OH_MAX} - (V_{CC_MAX} - 2V))/R_L] * (V_{CC_MAX} - V_{OH_MAX}) = [(2V - (V_{CC_MAX} - V_{OH_MAX}))/R_L] * (V_{CC_MAX} - V_{OH_MAX}) = [(2V - 0.9V)/50\Omega] * 0.9V = \mathbf{19.8mW}$$

$$Pd_L = [(V_{OL_MAX} - (V_{CC_MAX} - 2V))/R_L] * (V_{CC_MAX} - V_{OL_MAX}) = [(2V - (V_{CC_MAX} - V_{OL_MAX}))/R_L] * (V_{CC_MAX} - V_{OL_MAX}) = [(2V - 1.7V)/50\Omega] * 1.7V = \mathbf{10.2mW}$$

$$\text{Total Power Dissipation per output pair} = Pd_H + Pd_L = \mathbf{30mW}$$

Reliability Information

Table 9. θ_{JA} vs. Air Flow Table for a 8 Lead TSSOP

| θ_{JA} vs. Air Flow | | | |
|---|-----------|----------|----------|
| Meters per Second | 0 | 1 | 2.5 |
| Multi-Layer PCB, JEDEC Standard Test Boards | 101.7°C/W | 90.5°C/W | 89.8°C/W |

Transistor Count

The transistor count for 843021 is: 1928

Package Outline and Package Dimensions

Package Outline - G Suffix for 8 Lead TSSOP

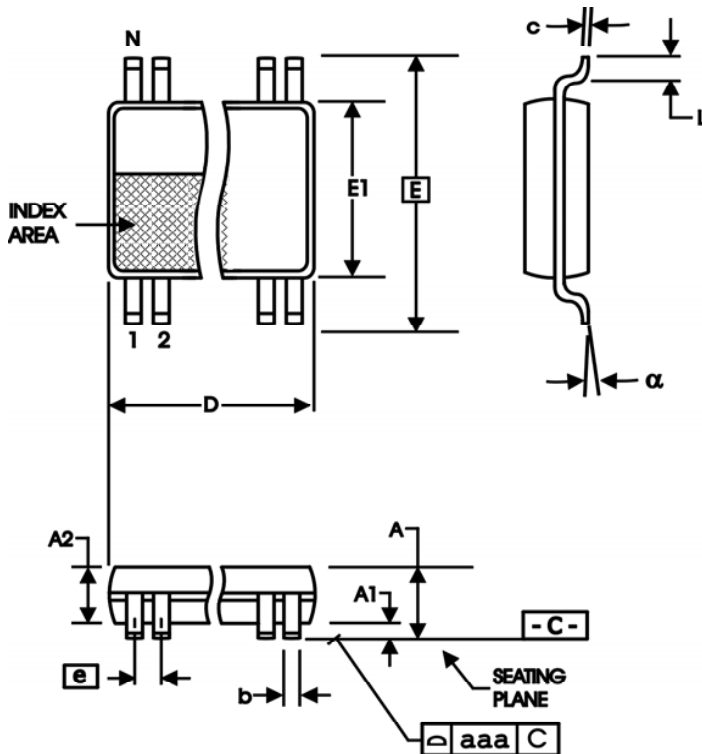


Table 10. Package Dimensions

| All Dimensions in Millimeters | | |
|-------------------------------|------------|---------|
| Symbol | Minimum | Maximum |
| N | 8 | |
| A | | 1.20 |
| A1 | 0.5 | 0.15 |
| A2 | 0.80 | 1.05 |
| b | 0.19 | 0.30 |
| c | 0.09 | 0.20 |
| D | 2.90 | 3.10 |
| E | 6.40 Basic | |
| E1 | 4.30 | 4.50 |
| e | 0.65 Basic | |
| L | 0.45 | 0.75 |
| α | 0° | 8° |
| aaa | | 0.10 |

Reference Document: JEDEC Publication 95, MO-153

Ordering Information

Table 11. Ordering Information

| Part/Order Number | Marking | Package | Shipping Packaging | Temperature |
|-------------------|---------|--------------------------|--------------------|-------------|
| 843021AGLF | 021AL | "Lead-Free" 8 Lead TSSOP | Tube | 0°C to 70°C |
| 843021AGLFT | 021AL | "Lead-Free" 8 Lead TSSOP | Tape & Reel | 0°C to 70°C |

NOTE: Parts that are ordered with an "LF" suffix to the part number are the Pb-Free configuration and are RoHS compliant.

Revision History Sheet

| Rev | Table | Page | Description of Change | Date |
|-----|-----------------|------|--|----------|
| B | T5 | 1 | Added Function Table. | 10/6/04 |
| | | 3 | Features section - updated Crystal, Output Frequency & VCO range bullets. | |
| | | 4 | Crystal Characteristics Table - changed Frequency from 25MHz typical to 14MHz min. and 40MHz max. Added Note 1. | |
| | T6 | 4 | AC Characteristics Table - changed Output Frequency from 125MHz typical to 112MHz min. and 140MHz max. | |
| B | T11 | 12 | Ordering Information Table - corrected count from 154 per tube to 100 | 10/15/04 |
| C | T4A | 3 | Power Supply Table - increased V_{CC} to $3.3V \pm 10\%$ from 5% and is reflected throughout the datasheet. | 11/3/04 |
| C | T8 T9 T11 | 3 | Absolute Maximum Ratings - corrected Package Thermal Impedance air flow. | 11/30/04 |
| | | 9 | Thermal Resistance Table - corrected air flow. | |
| | | 11 | Corrected air flow in table. | |
| | | 12 | Ordering Information Table - corrected marking. | |
| C | T11 | 1 | Features Section - added Lead-Free bullet. | 3/31/05 |
| | | 12 | Ordering Information Table - added Lead-Free part number. | |
| D | T6 | 1 | Features section - changed RMS phase jitter spec. | 11/21/07 |
| | | 4 | AC Characteristics Table - added maximum RMS Phase Jitter spec of 0.65ps. | |
| | | 7 | Added <i>LVC MOS to XTAL Interface</i> section. | |
| | | 7 | Added <i>Termination for 3.3V LVPECL Output</i> section. | |
| | | | Updated datasheet to new format. | |
| D | T4B | 3 | LVPECL DC Characteristics Table - corrected V_{OH}/V_{OL} parameters from "Current" to "Voltage" and units from "uA" to "V". | 10/12/10 |
| | T6 | 3 | AC Characteristics Table - added thermal note. | |
| | | 6 | Updated text in "Power Supply Filtering Techniques". | |
| | | 7 | Updated "Overdriving the Crystal Interface" section. | |
| | T11 | 13 | Ordering Information Table - deleted "ICS" prefix for part/order column. Updated header/footer. | |
| D | T11 | 13 | Ordering Information - removed leaded devices. Updated data sheet format. | 9/25/15 |

IMPORTANT NOTICE AND DISCLAIMER

RENESAS ELECTRONICS CORPORATION AND ITS SUBSIDIARIES (“RENESAS”) PROVIDES TECHNICAL SPECIFICATIONS AND RELIABILITY DATA (INCLUDING DATASHEETS), DESIGN RESOURCES (INCLUDING REFERENCE DESIGNS), APPLICATION OR OTHER DESIGN ADVICE, WEB TOOLS, SAFETY INFORMATION, AND OTHER RESOURCES “AS IS” AND WITH ALL FAULTS, AND DISCLAIMS ALL WARRANTIES, EXPRESS OR IMPLIED, INCLUDING, WITHOUT LIMITATION, ANY IMPLIED WARRANTIES OF MERCHANTABILITY, FITNESS FOR A PARTICULAR PURPOSE, OR NON-INFRINGEMENT OF THIRD-PARTY INTELLECTUAL PROPERTY RIGHTS.

These resources are intended for developers who are designing with Renesas products. You are solely responsible for (1) selecting the appropriate products for your application, (2) designing, validating, and testing your application, and (3) ensuring your application meets applicable standards, and any other safety, security, or other requirements. These resources are subject to change without notice. Renesas grants you permission to use these resources only to develop an application that uses Renesas products. Other reproduction or use of these resources is strictly prohibited. No license is granted to any other Renesas intellectual property or to any third-party intellectual property. Renesas disclaims responsibility for, and you will fully indemnify Renesas and its representatives against, any claims, damages, costs, losses, or liabilities arising from your use of these resources. Renesas' products are provided only subject to Renesas' Terms and Conditions of Sale or other applicable terms agreed to in writing. No use of any Renesas resources expands or otherwise alters any applicable warranties or warranty disclaimers for these products.

(Disclaimer Rev.1.01 Jan 2024)

Corporate Headquarters

TOYOSU FORESIA, 3-2-24 Toyosu,
Koto-ku, Tokyo 135-0061, Japan
www.renesas.com

Trademarks

Renesas and the Renesas logo are trademarks of Renesas Electronics Corporation. All trademarks and registered trademarks are the property of their respective owners.

Contact Information

For further information on a product, technology, the most up-to-date version of a document, or your nearest sales office, please visit www.renesas.com/contact-us/.