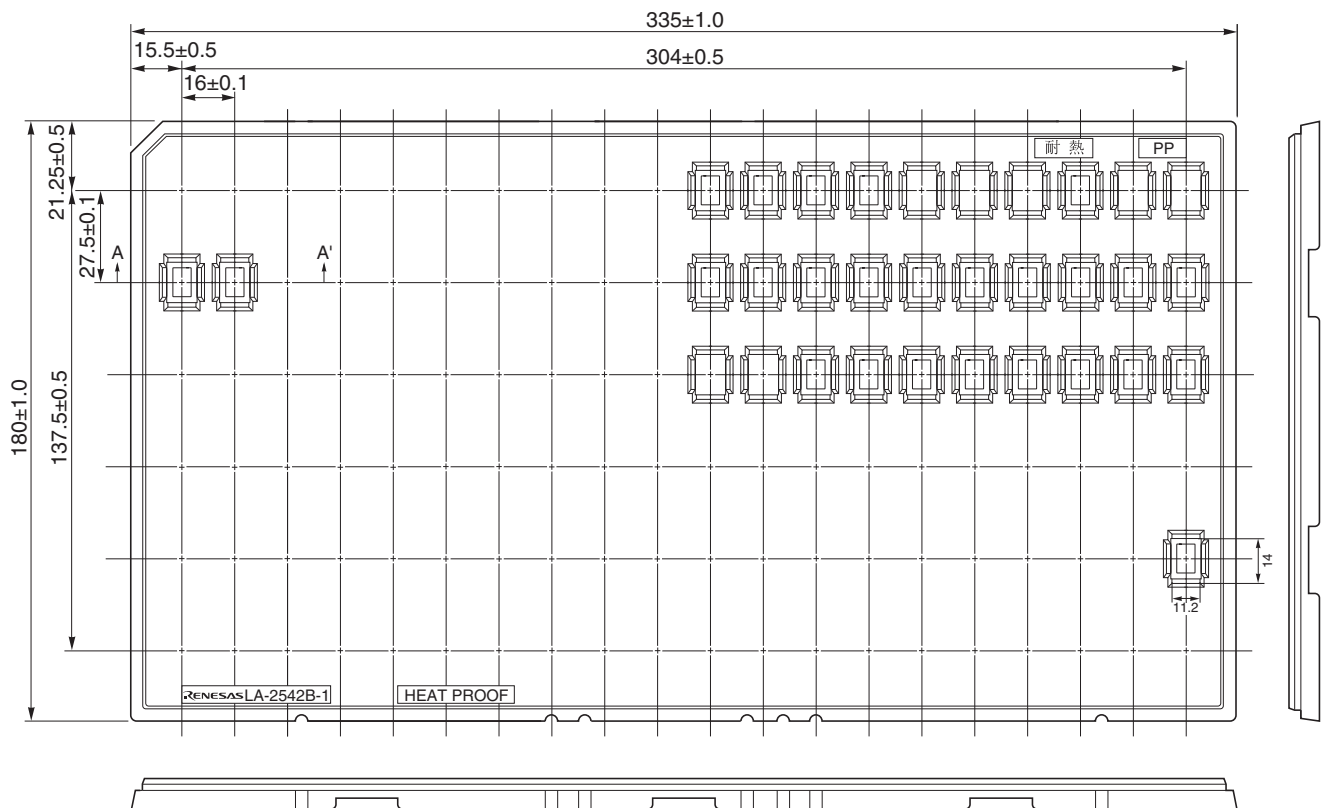
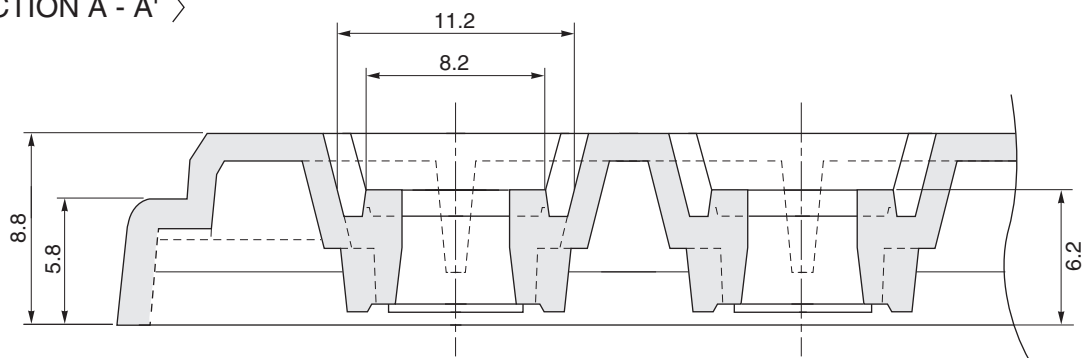


TRAY CONTAINER

Unit : mm



< SECTION A - A' >



Applied Package	Quantity (pcs)	Tray	LA-2542B-1
28-pin plastic TSOP (I) (8x13.4)	MAX. 120	Material	Carbon PP
32-pin plastic TSOP (I) (8x13.4)		Heat Proof Temp.	135°C
		Surface resistance	less than $1 \times 10^6 \Omega / \square$