

To our customers,

Old Company Name in Catalogs and Other Documents

On April 1st, 2010, NEC Electronics Corporation merged with Renesas Technology Corporation, and Renesas Electronics Corporation took over all the business of both companies. Therefore, although the old company name remains in this document, it is a valid Renesas Electronics document. We appreciate your understanding.

Renesas Electronics website: <http://www.renesas.com>

April 1st, 2010
Renesas Electronics Corporation

Issued by: Renesas Electronics Corporation (<http://www.renesas.com>)

Send any inquiries to <http://www.renesas.com/inquiry>.

Notice

1. All information included in this document is current as of the date this document is issued. Such information, however, is subject to change without any prior notice. Before purchasing or using any Renesas Electronics products listed herein, please confirm the latest product information with a Renesas Electronics sales office. Also, please pay regular and careful attention to additional and different information to be disclosed by Renesas Electronics such as that disclosed through our website.
2. Renesas Electronics does not assume any liability for infringement of patents, copyrights, or other intellectual property rights of third parties by or arising from the use of Renesas Electronics products or technical information described in this document. No license, express, implied or otherwise, is granted hereby under any patents, copyrights or other intellectual property rights of Renesas Electronics or others.
3. You should not alter, modify, copy, or otherwise misappropriate any Renesas Electronics product, whether in whole or in part.
4. Descriptions of circuits, software and other related information in this document are provided only to illustrate the operation of semiconductor products and application examples. You are fully responsible for the incorporation of these circuits, software, and information in the design of your equipment. Renesas Electronics assumes no responsibility for any losses incurred by you or third parties arising from the use of these circuits, software, or information.
5. When exporting the products or technology described in this document, you should comply with the applicable export control laws and regulations and follow the procedures required by such laws and regulations. You should not use Renesas Electronics products or the technology described in this document for any purpose relating to military applications or use by the military, including but not limited to the development of weapons of mass destruction. Renesas Electronics products and technology may not be used for or incorporated into any products or systems whose manufacture, use, or sale is prohibited under any applicable domestic or foreign laws or regulations.
6. Renesas Electronics has used reasonable care in preparing the information included in this document, but Renesas Electronics does not warrant that such information is error free. Renesas Electronics assumes no liability whatsoever for any damages incurred by you resulting from errors in or omissions from the information included herein.
7. Renesas Electronics products are classified according to the following three quality grades: “Standard”, “High Quality”, and “Specific”. The recommended applications for each Renesas Electronics product depends on the product’s quality grade, as indicated below. You must check the quality grade of each Renesas Electronics product before using it in a particular application. You may not use any Renesas Electronics product for any application categorized as “Specific” without the prior written consent of Renesas Electronics. Further, you may not use any Renesas Electronics product for any application for which it is not intended without the prior written consent of Renesas Electronics. Renesas Electronics shall not be in any way liable for any damages or losses incurred by you or third parties arising from the use of any Renesas Electronics product for an application categorized as “Specific” or for which the product is not intended where you have failed to obtain the prior written consent of Renesas Electronics. The quality grade of each Renesas Electronics product is “Standard” unless otherwise expressly specified in a Renesas Electronics data sheets or data books, etc.
 - “Standard”: Computers; office equipment; communications equipment; test and measurement equipment; audio and visual equipment; home electronic appliances; machine tools; personal electronic equipment; and industrial robots.
 - “High Quality”: Transportation equipment (automobiles, trains, ships, etc.); traffic control systems; anti-disaster systems; anti-crime systems; safety equipment; and medical equipment not specifically designed for life support.
 - “Specific”: Aircraft; aerospace equipment; submersible repeaters; nuclear reactor control systems; medical equipment or systems for life support (e.g. artificial life support devices or systems), surgical implantations, or healthcare intervention (e.g. excision, etc.), and any other applications or purposes that pose a direct threat to human life.
8. You should use the Renesas Electronics products described in this document within the range specified by Renesas Electronics, especially with respect to the maximum rating, operating supply voltage range, movement power voltage range, heat radiation characteristics, installation and other product characteristics. Renesas Electronics shall have no liability for malfunctions or damages arising out of the use of Renesas Electronics products beyond such specified ranges.
9. Although Renesas Electronics endeavors to improve the quality and reliability of its products, semiconductor products have specific characteristics such as the occurrence of failure at a certain rate and malfunctions under certain use conditions. Further, Renesas Electronics products are not subject to radiation resistance design. Please be sure to implement safety measures to guard them against the possibility of physical injury, and injury or damage caused by fire in the event of the failure of a Renesas Electronics product, such as safety design for hardware and software including but not limited to redundancy, fire control and malfunction prevention, appropriate treatment for aging degradation or any other appropriate measures. Because the evaluation of microcomputer software alone is very difficult, please evaluate the safety of the final products or system manufactured by you.
10. Please contact a Renesas Electronics sales office for details as to environmental matters such as the environmental compatibility of each Renesas Electronics product. Please use Renesas Electronics products in compliance with all applicable laws and regulations that regulate the inclusion or use of controlled substances, including without limitation, the EU RoHS Directive. Renesas Electronics assumes no liability for damages or losses occurring as a result of your noncompliance with applicable laws and regulations.
11. This document may not be reproduced or duplicated, in any form, in whole or in part, without prior written consent of Renesas Electronics.
12. Please contact a Renesas Electronics sales office if you have any questions regarding the information contained in this document or Renesas Electronics products, or if you have any other inquiries.

(Note 1) “Renesas Electronics” as used in this document means Renesas Electronics Corporation and also includes its majority-owned subsidiaries.

(Note 2) “Renesas Electronics product(s)” means any product developed or manufactured by or for Renesas Electronics.

H8SX Family

Transfer of Longword Data to Odd Addresses—Software Edition

Introduction

Data in memory are accessible to an H8SX CPU as words or longwords. Data thus accessed can be allocated to any address, regardless of whether it is odd or even.

In the example given in this application note, this function transfers longword data, altering the boundaries to odd addresses from even addresses, and then allocates word data or longword data to odd addresses by software processing.

Target Device

H8SX/1653F

Contents

1. Specification.....	2
2. Applicable Conditions	2
3. Principle of Operation	3
4. Description of Software.....	5

1. Specification

Data in memory are accessible to an H8SX CPU as words or longwords. Data thus accessed can be allocated to any address, regardless of whether it is odd or even.

In the example given in this application note, this function transfers longword data, altering the boundaries to odd addresses from even addresses, so that the data have been allocated to odd addresses whether they are treated as words or longwords.

1. Data are transferred from the on-chip ROM area to the on-chip RAM area by software processing.
2. Data in the on-chip ROM are allocated to even addresses as the longword boundaries, and the on-chip RAM area is set to odd addresses.
3. The amount of data to be transferred is set to a total of four longwords (16 bytes).

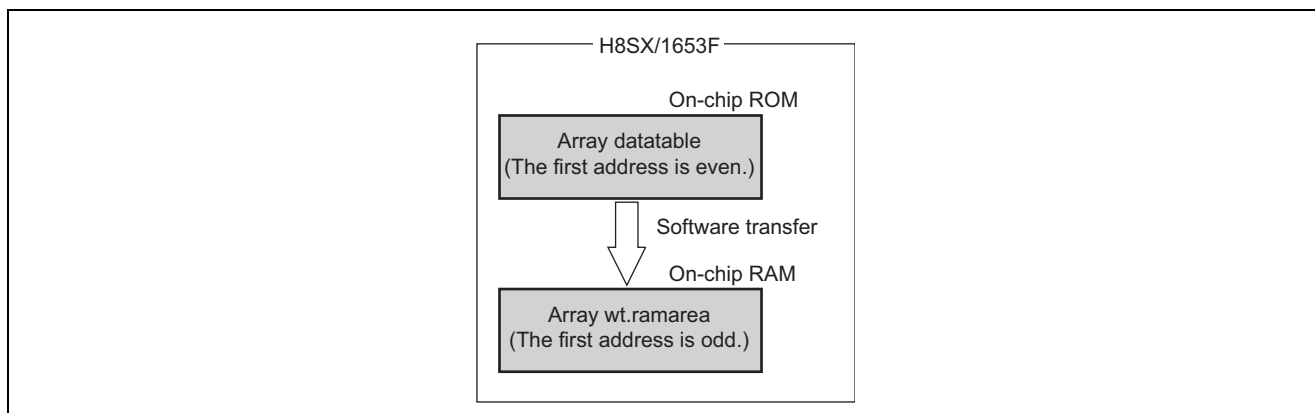


Figure 1 Software Transfer of Data Allocated to Odd Addresses

2. Applicable Conditions

Table 1 Applicable Condition

Item	Details
Operating frequency	Input clock: 12 MHz System clock (I ϕ): 48 MHz Peripheral module clock (P ϕ): 24 MHz External bus clock (B ϕ): 48 MHz
Operating mode	Mode 6 (MD2 = 1, MD1 = 1, MD0 = 0)

3. Principle of Operation

3.1 Data Format in Memory

Data in memory are accessible to an H8SX CPU as words or longwords. Data thus accessed can be allocated to any addresses, regardless of whether they are odd or even. When the address of a word of data is not even or the address of a longword of data is not a multiple of four, the single access required for each unit of data must be divided into multiple access operations. For example, generation of the bus cycles for access to a longword of data starting at an odd-numbered address is divided up into byte, word, and byte. In such a case, each bus cycle is recognized as separate in terms of bus control.

Furthermore, for words and longwords of data to be handled in instruction-reading, as jump-table entries, on the stack, or as data for block-transfer or multiply-and-accumulate instructions, allocate the data from even addresses.

Ensure that access to data by SP (ER7) as an address register is in word or longword units.

3.2 Example of Data Transfer to an Odd Address

Figures 2 to 5 are schematic views of the data transfer to odd addresses. Four longwords (16 bytes) of data are transferred from H'003000 to H'FF2001. When longwords of data are transferred to odd addresses, the data are written in this order: one byte (see figure 2), one word (see figure 3), and the remaining byte (see figure 4). These steps are repeated four times so that 16 bytes of data are transferred (see figure 5).

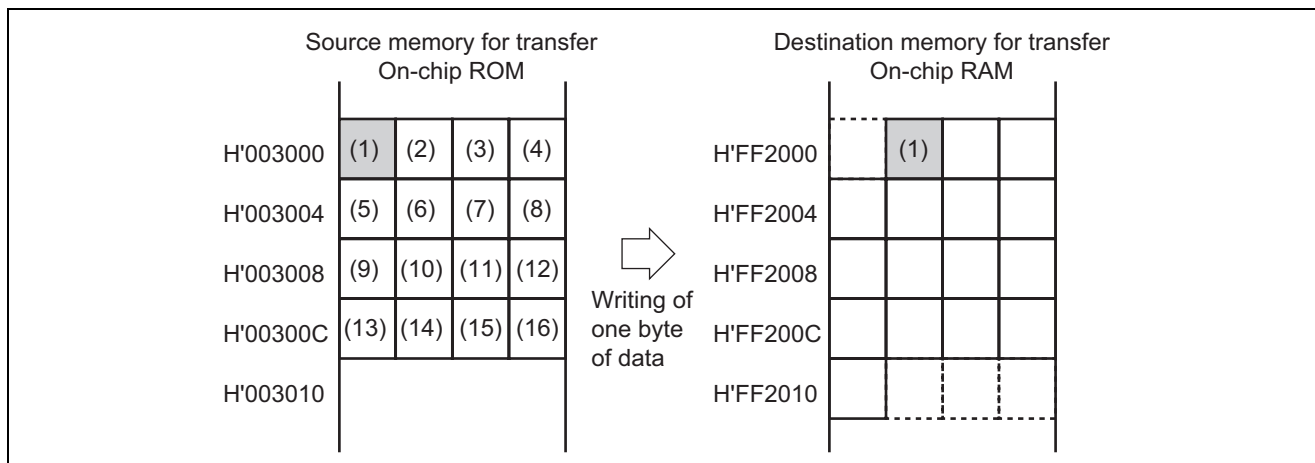


Figure 2 Example of Data Transfer to Odd Addresses, 1

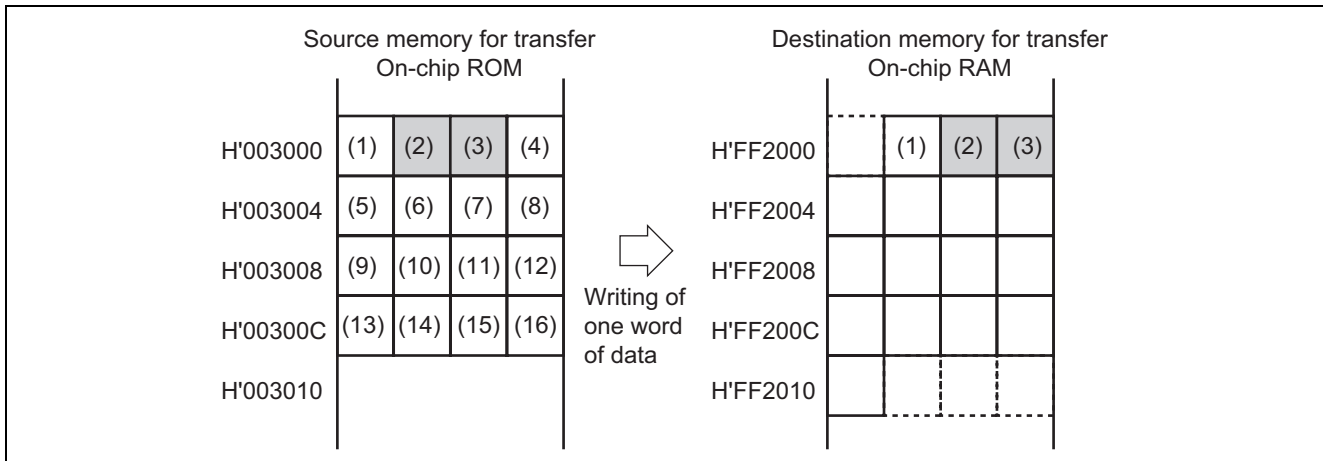


Figure 3 Example of Data Transfer to Odd Addresses, 2

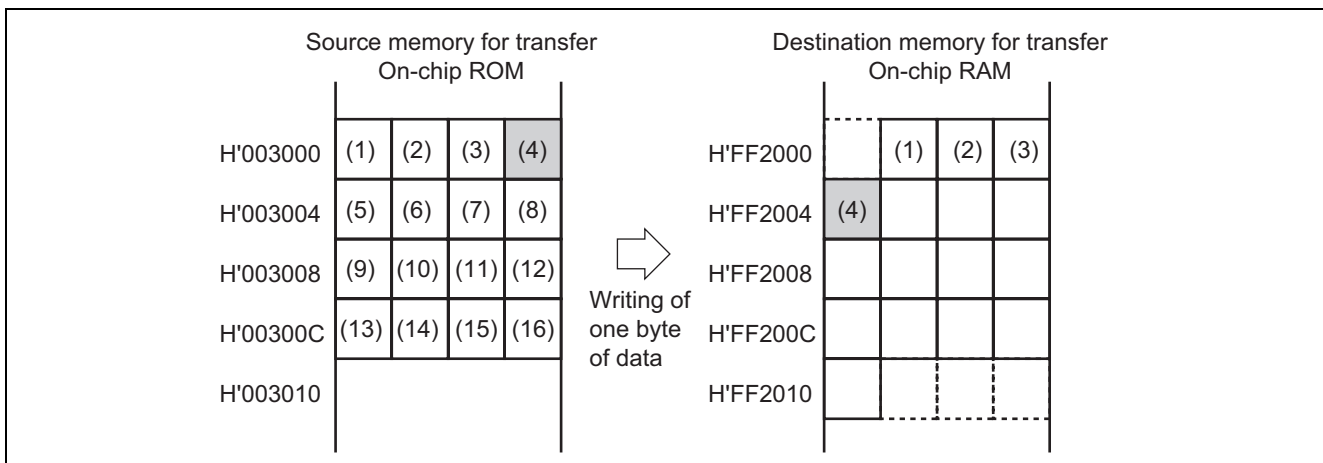


Figure 4 Example of Data Transfer to Odd Addresses, 3

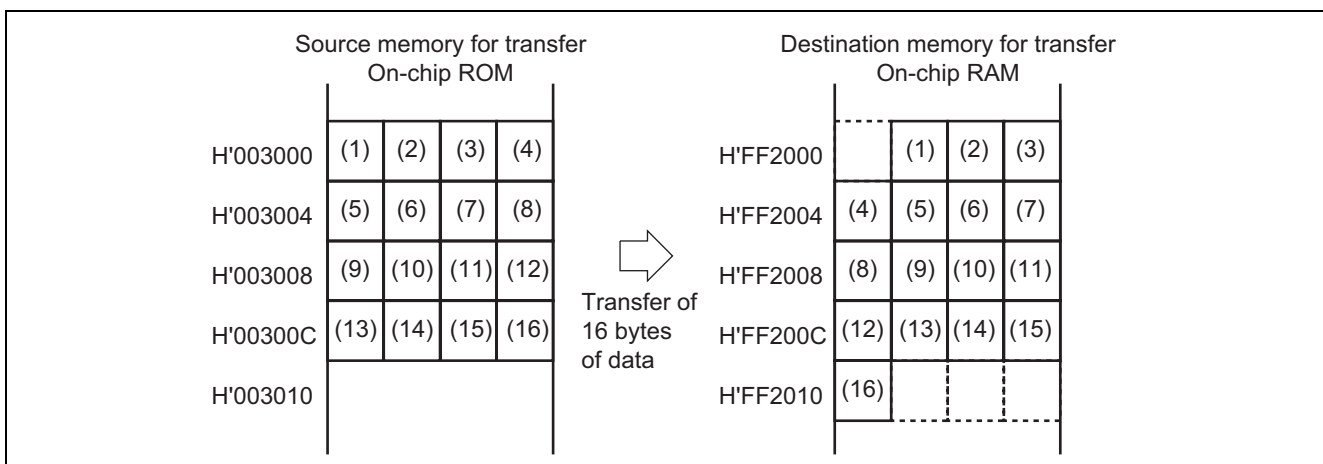


Figure 5 Example of Data Transfer to Odd Addresses, 4

4. Description of Software

4.1 Operating Environment

Table 2 Operating Environment

Item	Details
Development tool	High-performance Embedded Workshop Version 4.00.03
C/C++ compiler	H8S, H8/300 Series C/C++ Compiler Ver.6.01.01 (manufactured by Renesas Technology)
H8SX compiler options	-cpu = h8sxa:24:md, -code = machinecode, -optimize = 1, -regparam = 3 -speed = (register, shift, struct, expression)

Table 3 Setting of Sections

Address	Section	Description
H'001000	P	Program area
H'003000	C	Data-table storage area Array datatable is allocated here.
H'FF2000	B	Non-initialized data area (RAM area) The wt structure is allocated here.

Table 4 Interrupt and Exception Handling Vector Table

Exception Handling Source	Vector Number	Vector Table Address	Exception Handling Routine
Reset	0	H'000000	init

4.2 List of Functions

Table 5 List of Functions

Function Name	Functions
init	Initialization routine Sets the CCR and configures the clocks, releases the required modules from module stop mode, and calls the main function.
main	Main routine Software handles the transfer of four longwords of data to odd addresses.

4.3 RAM Usage

Table 6 RAM Usage

Type	Variable Name	Description	Used in
unsigned char	wt.dummy	wt structure This dummy variable is used to set wt.ramarea to an odd address.	main
unsigned char	wt.ramarea[16]	wt structure Transfer destination area in RAM	main

4.4 Constants

Table 7 Constants

Type	Variable Name	Settings	Description	Used in
unsigned long	datatable[4]	H'00010203, H'04050607, H'08090A0B, H'0C0D0E0F	Holds source data for transfer.	main

4.5 Description of Functions

4.5.1 init Function

1. Functional overview

Initialization routine which releases the required modules from module stop mode, makes clock settings, and calls the main function.

2. Argument

None

3. Return value

None

4. Description of internal registers

The internal registers used in this sample task are described below. The settings shown in these tables are the values used in this sample task and differ from the initial values.

- Mode control register (MDCR) Number of bits: 16 Address: H'FFFDC0

Bit	Bit Name	Setting	R/W	Description
11	MDS3	Undefined*	R	Mode Select 3 to 0
10	MDS2	Undefined*	R	These bits indicate the operating mode selected by the mode pins (MD2 to MD0) (see table 8). When MDCR is read, the signal levels input on pins MD2 to MD0 are latched into these bits. The latching is released by a reset.
9	MDS1	Undefined*	R	
8	MDS0	Undefined*	R	

Note: * Determined by pins MD3 to MD0.

Table 8 Settings of Bits MDS3 to MDS0

MCU Operating Mode	Pins			MDCR			
	MD2	MD1	MD0	MDS3	MDS2	MDS1	MDS0
2	0	1	0	1	1	0	0
4	1	0	0	0	0	1	0
5	1	0	1	0	0	0	1
6	1	1	0	0	1	0	1
7	1	1	1	0	1	0	0

- System clock control register (SCKCR) Number of bits: 16 Address: H'FFFDC4

Bit	Bit Name	Setting	R/W	Description
10	ICK2	0	R/W	System Clock (I ϕ) Select
9	ICK1	0	R/W	These bits select the frequency of the system clock signal, which is provided to the CPU, DMAC, and DTC. 000: Input clock \times 4
8	ICK0	0	R/W	
6	PCK2	0	R/W	Peripheral Module Clock (P ϕ) Select
5	PCK1	0	R/W	These bits select the frequency of the peripheral module clock. 001: Input clock \times 2
4	PCK0	1	R/W	
2	BCK2	0	R/W	External Bus Clock (B ϕ) Select
1	BCK1	0	R/W	These bits select the frequency of the external bus clock. 000: Input clock \times 4
0	BCK0	0	R/W	

- MSTPCRA, MSTPCRB, and MSTPCRC control module stop mode. Setting a bit to 1 places the corresponding module in module stop mode, while clearing the bit to 0 releases the module from module stop mode.
- Module stop control register A (MSTPCRA) Number of bits: 16 Address: H'FFFDC8

Bit	Bit Name	Setting	R/W	Description
15	ACSE	0	R/W	All-Module-Clock-Stop Mode Enable This bit enables/disables all-module-clock-stop mode for reducing current consumption by stopping the bus controller and I/O port operation when the CPU executes the SLEEP instruction after module stop mode has been set for all of the on-chip peripheral modules controlled by MSTPCR. 0: All-module-clock-stop mode disabled 1: All-module-clock-stop mode enabled
13	MSTPA13	1	R/W	DMA controller (DMAC)
12	MSTPA12	1	R/W	Data transfer controller (DTC)
9	MSTPA9	1	R/W	8-bit timer (TMR_3, TMR_2)
8	MSTPA8	1	R/W	8-bit timer (TMR_1, TMR_0)
5	MSTPA5	1	R/W	D/A converter (channels 1 and 0)
3	MSTPA3	1	R/W	A/D converter (unit 0)
0	MSTPA0	1	R/W	16-bit timer pulse unit (TPU channels 5 to 0)

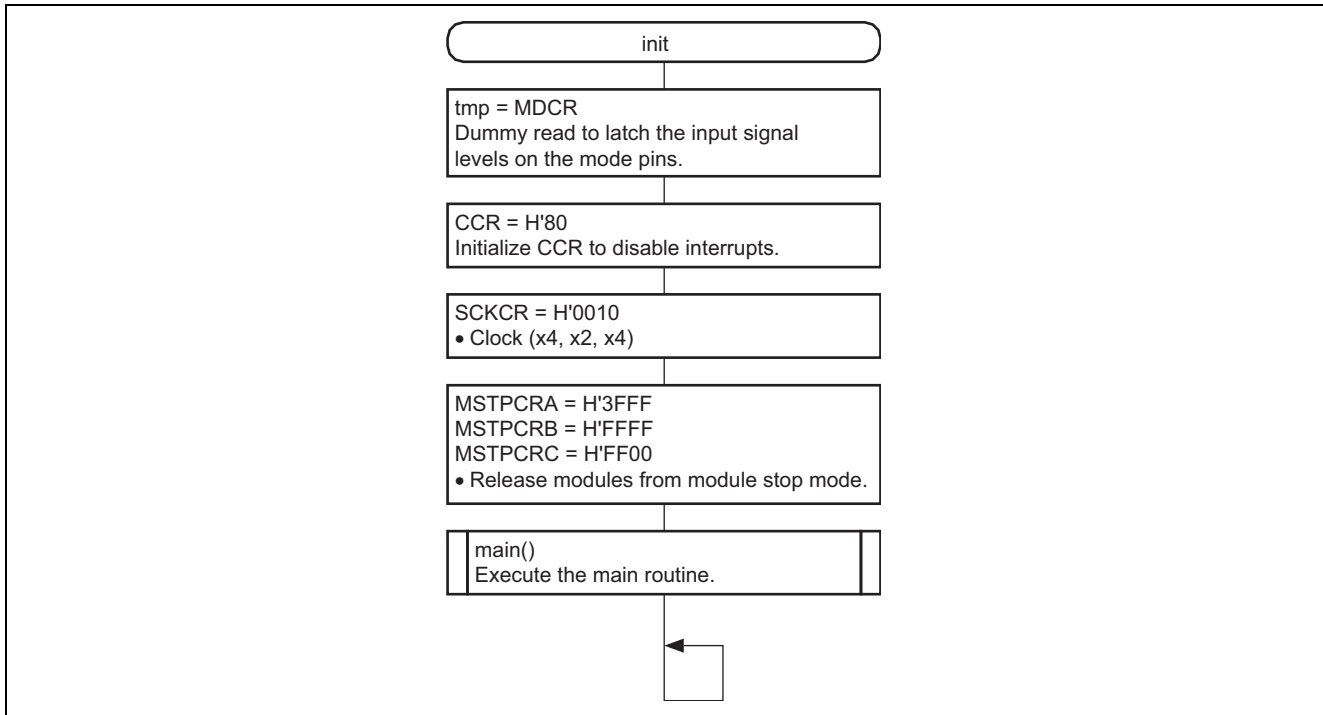
- Module stop control register B (MSTPCRB) Number of bits: 16 Address: H'FFFDCA

Bit	Bit Name	Setting	R/W	Description
15	MSTPB15	1	R/W	Programmable pulse generator (PPG)
12	MSTPB12	1	R/W	Serial communication interface_4 (SCI_4)
10	MSTPB10	1	R/W	Serial communication interface_2 (SCI_2)
9	MSTPB9	1	R/W	Serial communication interface_1 (SCI_1)
8	MSTPB8	1	R/W	Serial communication interface_0 (SCI_0)
7	MSTPB7	1	R/W	I ² C bus interface_1 (IIC_1)
6	MSTPB6	1	R/W	I ² C bus interface_0 (IIC_0)

- Module stop control register C (MSTPCRC) Number of bits: 16 Address: H'FFFDCC

Bit	Bit Name	Setting	R/W	Description
15	MSTPC15	1	R/W	Serial communication interface_5 (SCI_5), (IrDA)
14	MSTPC14	1	R/W	Serial communication interface_6 (SCI_6)
13	MSTPC13	1	R/W	8-bit timer (TMR_4, TMR_5)
12	MSTPC12	1	R/W	8-bit timer (TMR_6, TMR_7)
11	MSTPC11	1	R/W	Universal serial bus interface (USB)
10	MSTPC10	1	R/W	Cyclic redundancy checker
4	MSTPC4	0	R/W	On-chip RAM_4 (H'FF2000 to H'FF3FFF)
3	MSTPC3	0	R/W	On-chip RAM_3 (H'FF4000 to H'FF5FFF)
2	MSTPC2	0	R/W	On-chip RAM_2 (H'FF6000 to H'FF7FFF)
1	MSTPC1	0	R/W	On-chip RAM_1 (H'FF8000 to H'FF9FFF)
0	MSTPC0	0	R/W	On-chip RAM_0 (H'FFA000 to H'FFBFFF)

5. Flowchart



4.5.2 main Function

1. Functional overview

Main routine which sets up the software for transfer of 4 longwords of data to odd addresses.

2. Argument

None

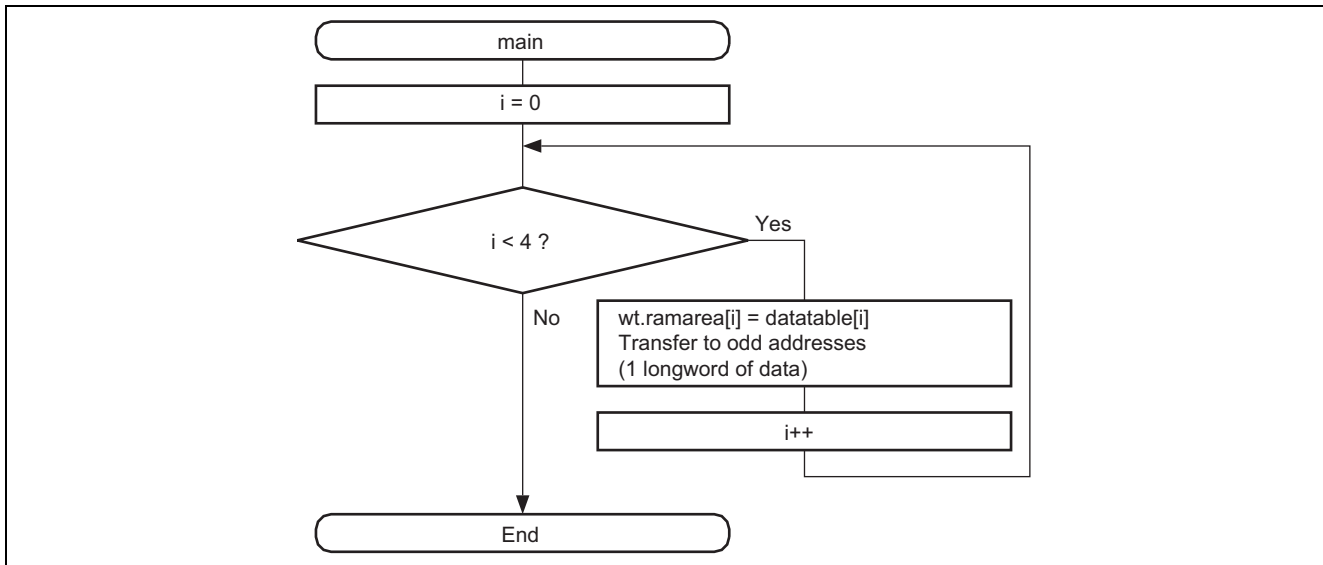
3. Return value

None

4. Description of internal registers

None

5. Flowchart



Website and Support

Renesas Technology Website

<http://www.renesas.com/>

Inquiries

<http://www.renesas.com/inquiry>

csc@renesas.com

Revision Record

Rev.	Date	Description	
		Page	Summary
1.00	Jun.18.07	—	First edition issued

Notes regarding these materials

1. This document is provided for reference purposes only so that Renesas customers may select the appropriate Renesas products for their use. Renesas neither makes warranties or representations with respect to the accuracy or completeness of the information contained in this document nor grants any license to any intellectual property rights or any other rights of Renesas or any third party with respect to the information in this document.
2. Renesas shall have no liability for damages or infringement of any intellectual property or other rights arising out of the use of any information in this document, including, but not limited to, product data, diagrams, charts, programs, algorithms, and application circuit examples.
3. You should not use the products or the technology described in this document for the purpose of military applications such as the development of weapons of mass destruction or for the purpose of any other military use. When exporting the products or technology described herein, you should follow the applicable export control laws and regulations, and procedures required by such laws and regulations.
4. All information included in this document such as product data, diagrams, charts, programs, algorithms, and application circuit examples, is current as of the date this document is issued. Such information, however, is subject to change without any prior notice. Before purchasing or using any Renesas products listed in this document, please confirm the latest product information with a Renesas sales office. Also, please pay regular and careful attention to additional and different information to be disclosed by Renesas such as that disclosed through our website. (<http://www.renesas.com>)
5. Renesas has used reasonable care in compiling the information included in this document, but Renesas assumes no liability whatsoever for any damages incurred as a result of errors or omissions in the information included in this document.
6. When using or otherwise relying on the information in this document, you should evaluate the information in light of the total system before deciding about the applicability of such information to the intended application. Renesas makes no representations, warranties or guaranties regarding the suitability of its products for any particular application and specifically disclaims any liability arising out of the application and use of the information in this document or Renesas products.
7. With the exception of products specified by Renesas as suitable for automobile applications, Renesas products are not designed, manufactured or tested for applications or otherwise in systems the failure or malfunction of which may cause a direct threat to human life or create a risk of human injury or which require especially high quality and reliability such as safety systems, or equipment or systems for transportation and traffic, healthcare, combustion control, aerospace and aeronautics, nuclear power, or undersea communication transmission. If you are considering the use of our products for such purposes, please contact a Renesas sales office beforehand. Renesas shall have no liability for damages arising out of the uses set forth above.
8. Notwithstanding the preceding paragraph, you should not use Renesas products for the purposes listed below:
 - (1) artificial life support devices or systems
 - (2) surgical implantations
 - (3) healthcare intervention (e.g., excision, administration of medication, etc.)
 - (4) any other purposes that pose a direct threat to human life
 Renesas shall have no liability for damages arising out of the uses set forth in the above and purchasers who elect to use Renesas products in any of the foregoing applications shall indemnify and hold harmless Renesas Technology Corp., its affiliated companies and their officers, directors, and employees against any and all damages arising out of such applications.
9. You should use the products described herein within the range specified by Renesas, especially with respect to the maximum rating, operating supply voltage range, movement power voltage range, heat radiation characteristics, installation and other product characteristics. Renesas shall have no liability for malfunctions or damages arising out of the use of Renesas products beyond such specified ranges.
10. Although Renesas endeavors to improve the quality and reliability of its products, IC products have specific characteristics such as the occurrence of failure at a certain rate and malfunctions under certain use conditions. Please be sure to implement safety measures to guard against the possibility of physical injury, and injury or damage caused by fire in the event of the failure of a Renesas product, such as safety design for hardware and software including but not limited to redundancy, fire control and malfunction prevention, appropriate treatment for aging degradation or any other applicable measures. Among others, since the evaluation of microcomputer software alone is very difficult, please evaluate the safety of the final products or system manufactured by you.
11. In case Renesas products listed in this document are detached from the products to which the Renesas products are attached or affixed, the risk of accident such as swallowing by infants and small children is very high. You should implement safety measures so that Renesas products may not be easily detached from your products. Renesas shall have no liability for damages arising out of such detachment.
12. This document may not be reproduced or duplicated, in any form, in whole or in part, without prior written approval from Renesas.
13. Please contact a Renesas sales office if you have any questions regarding the information contained in this document, Renesas semiconductor products, or if you have any other inquiries.