

To our customers,

Old Company Name in Catalogs and Other Documents

On April 1st, 2010, NEC Electronics Corporation merged with Renesas Technology Corporation, and Renesas Electronics Corporation took over all the business of both companies. Therefore, although the old company name remains in this document, it is a valid Renesas Electronics document. We appreciate your understanding.

Renesas Electronics website: <http://www.renesas.com>

April 1st, 2010
Renesas Electronics Corporation

Issued by: Renesas Electronics Corporation (<http://www.renesas.com>)

Send any inquiries to <http://www.renesas.com/inquiry>.

Notice

1. All information included in this document is current as of the date this document is issued. Such information, however, is subject to change without any prior notice. Before purchasing or using any Renesas Electronics products listed herein, please confirm the latest product information with a Renesas Electronics sales office. Also, please pay regular and careful attention to additional and different information to be disclosed by Renesas Electronics such as that disclosed through our website.
2. Renesas Electronics does not assume any liability for infringement of patents, copyrights, or other intellectual property rights of third parties by or arising from the use of Renesas Electronics products or technical information described in this document. No license, express, implied or otherwise, is granted hereby under any patents, copyrights or other intellectual property rights of Renesas Electronics or others.
3. You should not alter, modify, copy, or otherwise misappropriate any Renesas Electronics product, whether in whole or in part.
4. Descriptions of circuits, software and other related information in this document are provided only to illustrate the operation of semiconductor products and application examples. You are fully responsible for the incorporation of these circuits, software, and information in the design of your equipment. Renesas Electronics assumes no responsibility for any losses incurred by you or third parties arising from the use of these circuits, software, or information.
5. When exporting the products or technology described in this document, you should comply with the applicable export control laws and regulations and follow the procedures required by such laws and regulations. You should not use Renesas Electronics products or the technology described in this document for any purpose relating to military applications or use by the military, including but not limited to the development of weapons of mass destruction. Renesas Electronics products and technology may not be used for or incorporated into any products or systems whose manufacture, use, or sale is prohibited under any applicable domestic or foreign laws or regulations.
6. Renesas Electronics has used reasonable care in preparing the information included in this document, but Renesas Electronics does not warrant that such information is error free. Renesas Electronics assumes no liability whatsoever for any damages incurred by you resulting from errors in or omissions from the information included herein.
7. Renesas Electronics products are classified according to the following three quality grades: “Standard”, “High Quality”, and “Specific”. The recommended applications for each Renesas Electronics product depends on the product’s quality grade, as indicated below. You must check the quality grade of each Renesas Electronics product before using it in a particular application. You may not use any Renesas Electronics product for any application categorized as “Specific” without the prior written consent of Renesas Electronics. Further, you may not use any Renesas Electronics product for any application for which it is not intended without the prior written consent of Renesas Electronics. Renesas Electronics shall not be in any way liable for any damages or losses incurred by you or third parties arising from the use of any Renesas Electronics product for an application categorized as “Specific” or for which the product is not intended where you have failed to obtain the prior written consent of Renesas Electronics. The quality grade of each Renesas Electronics product is “Standard” unless otherwise expressly specified in a Renesas Electronics data sheets or data books, etc.
 - “Standard”: Computers; office equipment; communications equipment; test and measurement equipment; audio and visual equipment; home electronic appliances; machine tools; personal electronic equipment; and industrial robots.
 - “High Quality”: Transportation equipment (automobiles, trains, ships, etc.); traffic control systems; anti-disaster systems; anti-crime systems; safety equipment; and medical equipment not specifically designed for life support.
 - “Specific”: Aircraft; aerospace equipment; submersible repeaters; nuclear reactor control systems; medical equipment or systems for life support (e.g. artificial life support devices or systems), surgical implantations, or healthcare intervention (e.g. excision, etc.), and any other applications or purposes that pose a direct threat to human life.
8. You should use the Renesas Electronics products described in this document within the range specified by Renesas Electronics, especially with respect to the maximum rating, operating supply voltage range, movement power voltage range, heat radiation characteristics, installation and other product characteristics. Renesas Electronics shall have no liability for malfunctions or damages arising out of the use of Renesas Electronics products beyond such specified ranges.
9. Although Renesas Electronics endeavors to improve the quality and reliability of its products, semiconductor products have specific characteristics such as the occurrence of failure at a certain rate and malfunctions under certain use conditions. Further, Renesas Electronics products are not subject to radiation resistance design. Please be sure to implement safety measures to guard them against the possibility of physical injury, and injury or damage caused by fire in the event of the failure of a Renesas Electronics product, such as safety design for hardware and software including but not limited to redundancy, fire control and malfunction prevention, appropriate treatment for aging degradation or any other appropriate measures. Because the evaluation of microcomputer software alone is very difficult, please evaluate the safety of the final products or system manufactured by you.
10. Please contact a Renesas Electronics sales office for details as to environmental matters such as the environmental compatibility of each Renesas Electronics product. Please use Renesas Electronics products in compliance with all applicable laws and regulations that regulate the inclusion or use of controlled substances, including without limitation, the EU RoHS Directive. Renesas Electronics assumes no liability for damages or losses occurring as a result of your noncompliance with applicable laws and regulations.
11. This document may not be reproduced or duplicated, in any form, in whole or in part, without prior written consent of Renesas Electronics.
12. Please contact a Renesas Electronics sales office if you have any questions regarding the information contained in this document or Renesas Electronics products, or if you have any other inquiries.

(Note 1) “Renesas Electronics” as used in this document means Renesas Electronics Corporation and also includes its majority-owned subsidiaries.

(Note 2) “Renesas Electronics product(s)” means any product developed or manufactured by or for Renesas Electronics.

SH7211 Group

SCIF Asynchronous Serial Data Transmission and Reception Function

Introduction

This application note describes the serial data transmission and reception function that uses the transmit-FIFO-data-empty interrupt sources and receive-data-full interrupt sources of the Serial Communication Interface with FIFO (SCIF).

Target Device

SH7211

Contents

1. Preface	2
2. Overview	3
3. Documents for Reference	17

1. Preface

1.1 Specifications

This sample application uses an asynchronous serial transfer function with FIFO to transmit and receive 20-byte data. Figure 1 shows the configuration.

- SCIF1 is used.
- The communications format has a data length of 8 bits, no parity, and 1 stop bit.
- Bit rate: 9600 bits/s
- The receive trigger number is set to 8, and 20-byte data is received using a receive-data-full interrupt source with FIFO.
- The transmit trigger number is set to 8, and 20-byte data is transmitted using a transmit-data-empty interrupt source with FIFO.
- Once 20 bytes of data have been transmitted and received, operation for reception is halted.

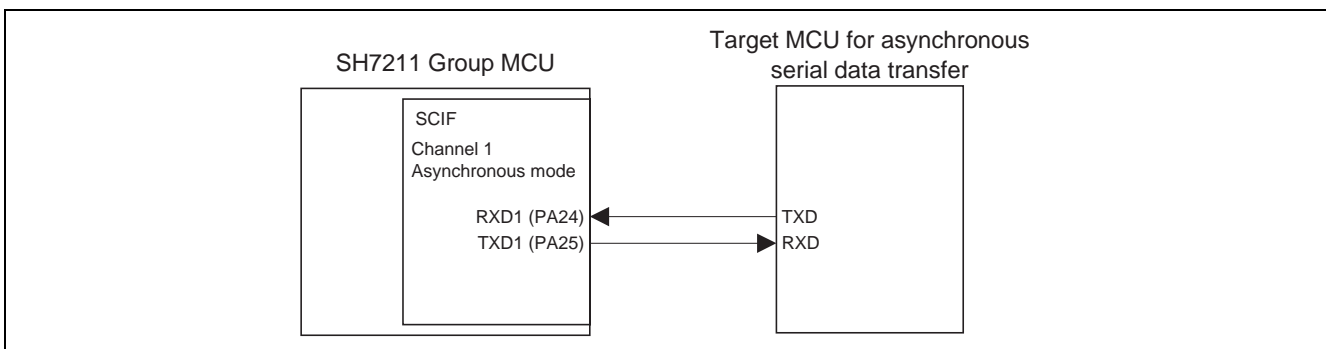


Figure 1 Asynchronous Serial Data Transmission and Reception with FIFO

1.2 Module Used

- Serial communications interface with FIFO (SCIF1)

1.3 Applicable Conditions

- MCU SH7211
- Operating frequency
 - Internal clock: $I\phi = 160$ MHz
 - Bus clock: $B\phi = 40$ MHz
 - Peripheral clock: $P\phi = 40$ MHz
 - MTU2S clock: $M\phi = 80$ MHz
 - AD clock: $A\phi = 40$ MHz
- MCU operating mode Single chip mode
- Integrated development environment
 - High-performance Embedded Workshop Ver.4.05.01.001 (from Renesas Technology Corp.)
- C compiler
 - SuperH RISC Engine Family C/C++ Compiler Package Ver.9.03 Release00 from Renesas Technology Corp.
- Compiler options
 - Default settings of the High-performance Embedded Workshop
 - `(-cpu=sh2a -include="$(WORKSPDIR)\inc"`
 - `-object="$(CONFIGDIR)\$(FILELEAF).obj" -debug -gbr=auto -chgincpath`
 - `-errorpath -global_volatile=0 -opt_range=all -infinite_loop=0 -del_vacant_loop=0`
 - `-struct_alloc=1 -nologo)`

2. Overview

This sample application uses the transmit-FIFO-data-empty interrupt and receive-data-full interrupt sources of the Serial Communication Interface with FIFO (SCIF) to transmit and receive asynchronous serial data.

2.1 Operational Overview of Module Used

In asynchronous mode, each transmitted or received character begins with a start bit and ends with a stop bit. Serial communications is synchronized in character units. The transmitting and receiving sections of the SCIF are independent, so operations for transmission and reception can proceed simultaneously. Both the transmitter and receiver have a 16-stage FIFO buffered structure so that data can be read or written during transmission or reception, which enables high-speed continuous data transfer.

In asynchronous serial communications, the communication line is normally held in the mark (high) state. The SCIF monitors the line and starts serial communications when the line goes to the space (low) state, indicating a start bit.

One serial character consists of a start bit (low), data (LSB first), parity bit (high or low), and stop bit (high), in this order.

For details on the SCIF, please refer to the section on Serial Communication Interface with FIFO (SCIF) in the *SH7211 Group Hardware Manual* (REJ09B0344).

Table 1 gives an overview of Serial Communication Interface with FIFO (SCIF). Figure 2 shows a block diagram of the SCIF.

Table 1 Overview of Serial Communication Interface with FIFO (SCIF)

Item	Description
Number of interfaces	3 (0 to 3)
Clock sources	Internal and external clocks are selectable For internal clock: The clock from the baud-rate generator is used to operate. For external clock: Input of a clock signal at 16 times the frequency of the bit rate is required.
Data format	Transfer data length: 7 or 8 bits Selects the parity bit addition Stop bit: 1 or 2 bits
Bit rate	For internal clock: 110 bps to 1.25 Mbps ($P\phi = 40$ MHz) For external clock: up to 625 kbps ($P\phi = 40$ MHz, external input clock of 10.0000 MHz)
Error detection	Framing, parity and overrun errors
Interrupt requests	Transmit-FIFO-data-empty interrupt (TXI) Receive-FIFO-data-full interrupt (RXI) Receive error interrupt (ERI) Break interrupt (BRI)

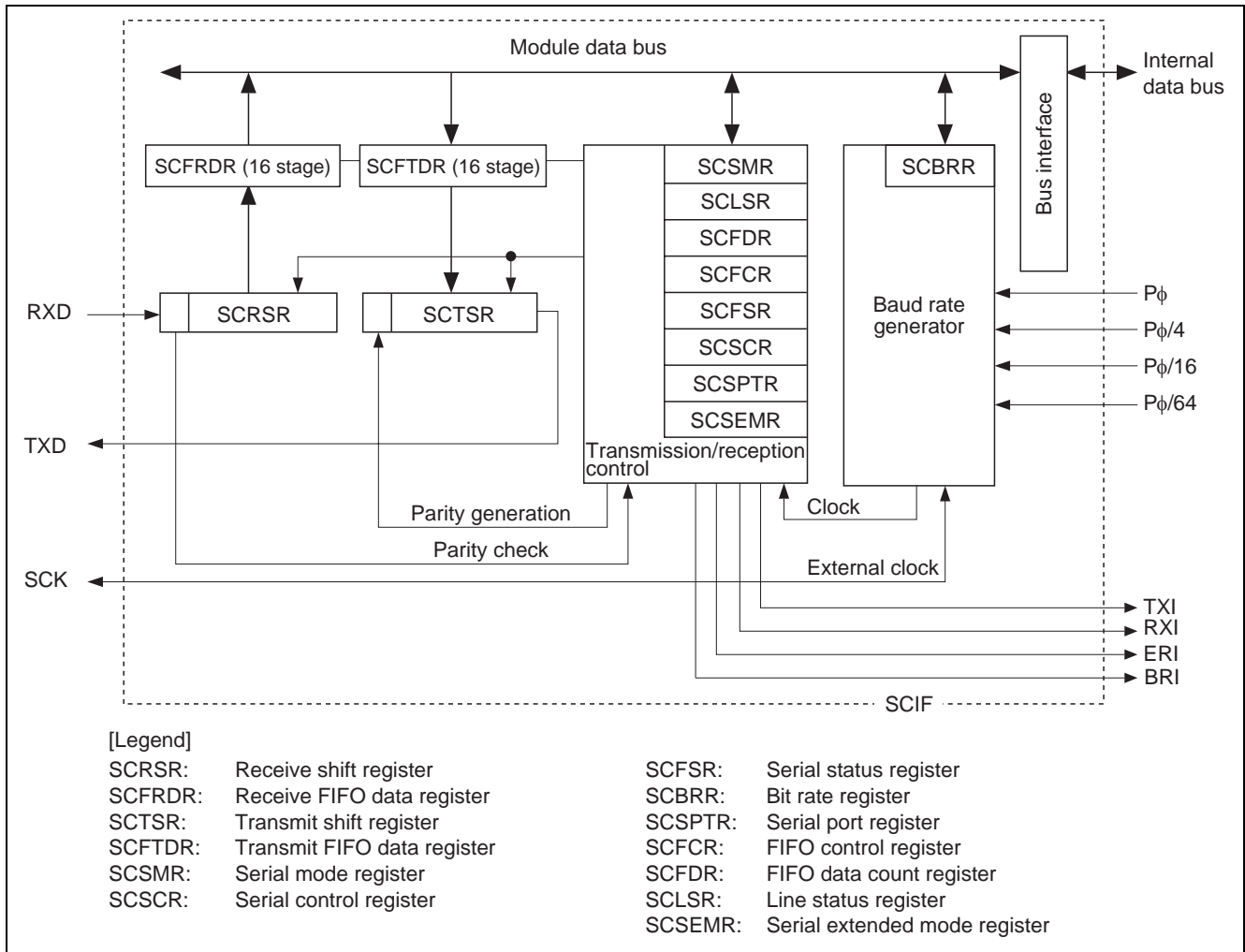


Figure 2 Block Diagram of the SCIF

The Serial Communication Interface with FIFO (SCIF) has the following registers.

- The Receive Shift Register (SCRSR) is used to receive serial data. The SCIF sets serial data input from the RDX pin in SCRSR in the order received starting with the LSB (bit 0) and converts the data to parallel data. When 1 byte of data has been received, the data is transferred automatically to the Receive FIFO Data Register (SCFRDR). The CPU can neither read data from nor write data to SCRSR directly.
- The Receive FIFO Data Register (SCFRDR) is a 16-stage FIFO register (each stage is 8 bits) used to hold received serial data. When 1 byte of data has been received, the received serial data is transferred from the Receive Shift Register (SCRSR) to SCFRDR for storage, completing the receive operation. Receive operations can be performed successively until 16 bytes of data are stored in the register. The CPU can read data from SCFRDR, but it cannot write data to SCFRDR. If a read from the Receive FIFO Data Register is attempted when there is no receive data in the register, the value read is undefined. When the register becomes full with receive data, any subsequently received serial data is lost.
- The Transmit Shift Register (SCTSR) is used to transmit serial data. The SCIF transfers transmit data from the Transmit FIFO Data Register (SCFTDR) to SCTSR, and then performs serial data transmission by sending the data to the TXD pin in order starting with the LSB (bit 0). When 1 byte of data has been transmitted, the next transmit data is transferred automatically from SCFTDR to SCTSR to start transmission. The CPU can neither read data from nor write data to SCTSR directly.
- The Transmit FIFO Data Register (SCFTDR) is a 16-stage FIFO register (each stage is 8 bits) used to hold data that is to be transmitted serially. When the SCIF detects that the Transmit Shift Register (SCTSR) is empty, the SCIF starts serial transmission by transferring the transmit data written in SCFTDR to SCTSR. Serial transmission can be performed as long as data remains in SCFTDR. The CPU can write data to SCFTDR at any time. When SCFTDR becomes full with transmit data (16 bytes), no more data can be written. If an attempt is made to write more data, the data is ignored.
- The Serial Mode Register (SCSMR) is a 16-bit register used to set the SCIF serial communication format and select the clock source of the baud rate generator. The CPU can read data from and write data to SCSMR at any time.
- The Serial Control Register (SCSCR) is a 16-bit register used to enable or disable SCIF transmit and receive operations and interrupt requests and to select the transmit/receive clock source. The CPU can read data from and write data to SCSCR at any time.
- The Serial Status Register (SCFSR) is a 16-bit register. The upper 8 bits indicate the number of receive errors in the data in the Receive FIFO Data Register, and the lower 8 bits consist of status flags indicating the SCIF operating state. The CPU can read data from and write data to SCFSR at any time. However, 1 cannot be written in the ER, TEND, TDFE, BRK, RDF, and DR status flags. Before these flags can be cleared to 0, they must first be read as 1. The FER and PER flags are read-only flags, and data cannot be written to them.
- The Bit Rate Register (SCBRR) is an 8-bit register that sets the serial transmit/receive bit rate together with the baud rate generator clock source selected by the CKS1 and CKS0 bits of the Serial Mode Register (SCSMR). The CPU can read data from and write data to SCBRR at any time. SCBRR is initialized to H'FF by a power-on reset.
- The FIFO Control Register (SCFCR) is a 16-bit register that resets the number of data and sets the trigger data number for the Transmit FIFO Data Register and the Receive FIFO Data Register. The register also contains a loopback test enable bit. The CPU can read data from and write data to SCFCR at any time.
- The FIFO Data Count Register (SCFDR) is a 16-bit register that indicates the number of data bytes stored in the Transmit FIFO Data Register (SCFTDR) and in the Receive FIFO Data Register (SCFRDR). The upper 8 bits indicate the number of transmit data bytes in SCFTDR, and the lower 8 bits indicate the number of receive data bytes in SCFRDR. The CPU can read data from SCFDR at any time.
- The Line Status Register (SCLSR) is a 16-bit register that the CPU can read from and write to at any time. However, 1 cannot be written to the ORER status flag. Before the ORER status flag can be cleared, it must first be read as 1.

2.2 Operation of the Sample Program

Table 2 lists setting conditions of transmit and receive operation in asynchronous mode.

Table 2 Setting Conditions of Transmit and Receive Operation in Asynchronous Mode

Item	Description
Channels in use	SCIF1
Used pin	RXD1 (PA24): Receive data input pin TXD1 (PA25): Transmit data output pin
Transfer mode	Asynchronous mode
Transfer rate	9600 bps
Receive data	20 bytes
Data length	8 bits (LSB first)
Parity bit	None
Stop bit	1 bit
Receive trigger	8
Transmit trigger	8
Interrupts	Transmit-FIFO-data-empty interrupt (TXI) Receive-FIFO-data-full interrupt (RXI) Receive error interrupt (ERI) Break interrupt (BRI)

Figure 3 shows operations for transmission and reception. The reference program handles storage of twenty bytes of received data in the reception buffer and then transmits the received data as data for transmission. Transmission and reception operations end once the 20 bytes have been received and transmitted.

Serial data received via the RXD1 pin are converted to parallel data by the receive shift register (SCRSR) and transferred one byte at a time to the receive FIFO data register (SCFRDR). The receive data full interrupt is generated when the SCFRDR holds eight bytes of data. Processing for this interrupt transfers received data from the SCFRDR to the reception buffer. Furthermore, even if the SCFRDR holds fewer than eight bytes of received data, the receive data ready interrupt is generated after an interval of 15 etu has elapsed following the stop bit for the final byte. At this time the remaining received data in the SCFRDR are stored in the reception buffer.

The transmit FIFO empty interrupt is generated when the transmit FIFO data register (SCFTDR) holds fewer than eight bytes. Processing for this interrupt starts writing the received data to the SCFTDR. After data for transmission set in the SCFTDR have been transferred to the transmit shift register (SCTSR), they are converted to serial data and then output from the TXD1 pin. The setting to enable the transmit FIFO empty interrupt (TIE bit = 1) is made in processing for the receive FIFO data full interrupt and the receive data ready interrupt.

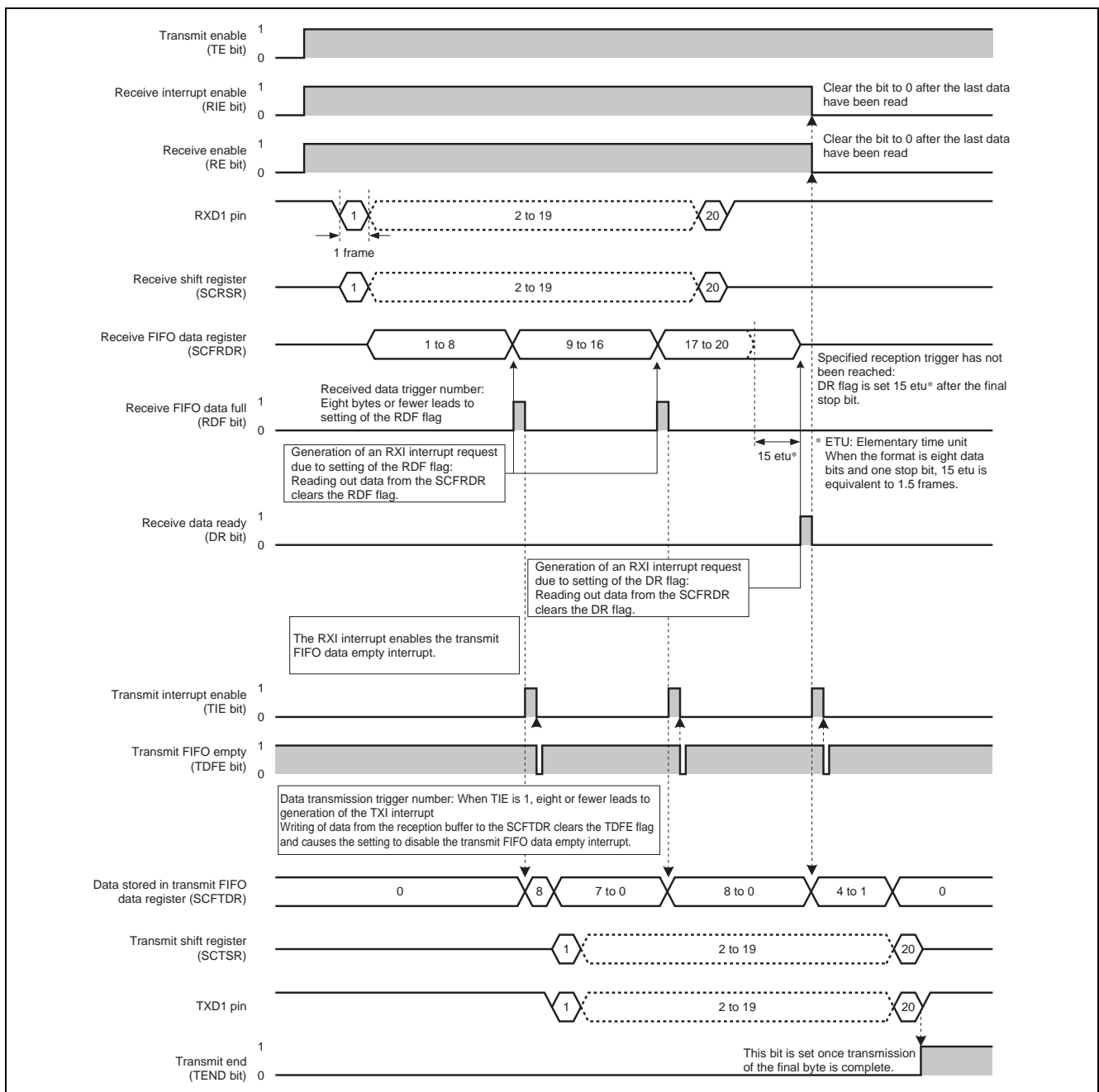


Figure 3 Transmit and Receive Operation

2.3 Configuration of the Sample Program

2.3.1 Description of Functions

Table 3 lists functions used in this sample program.

Table 3 Functions Used

Function Name	Label	Description
Main	main ()	<ul style="list-style-type: none"> Initializes other modules Initialized Serial Communication Interface with FIFO (SCIF) SCIF transmitter and receiver enabled
Standby setting	stbcr_init ()	<ul style="list-style-type: none"> Makes setting to release SCIF from standby
Initialization of PFC	pf_c_init ()	<ul style="list-style-type: none"> Initialized Pin Function Controller (PFC) Pin function of the SCIF is set.
Initialization of SCIF	scif_init()	<ul style="list-style-type: none"> Initialized SCIF
SCIF transmit-FIFO-data-empty interrupt	Int_scif_txif ()	<ul style="list-style-type: none"> Handles SCIF transmit-FIFO-data-empty interrupts.
SCIF receive-FIFO-data-full interrupt	Int_scif_rxif ()	<ul style="list-style-type: none"> Handles SCIF receive-FIFO-data-full interrupts.
SCIF receive error interrupt	Int_scif_erif ()	<ul style="list-style-type: none"> Handles SCIF receive error interrupts.
SCIF break interrupt	Int_scif_brif ()	<ul style="list-style-type: none"> Handles SCIF break interrupts.

2.3.2 Variable Usage

Table 4 gives a list of variables used in the sample program.

Table 4 Variable Usage

Label Name	Description	Name of Employing Module
unsigned long Txif_Count	Transmit-FIFO-data-empty interrupt count	Int_scif_txif ()
unsigned long Trns_Count	Number of transmit data items	
unsigned char Rcv_Data[20]	Receive buffer	Int_scif_rxif ()
unsigned long Rcv_Count	Number of receive data items	
unsigned long Rxif_Count	Receive-FIFO-data-full interrupt count	
unsigned long Erif_Count	Receive error interrupt count	Int_scif_erif ()
unsigned long Brif_Count	Break interrupt count	Int_scif_brif ()

2.4 Procedure for Setting Module Used

The following subsections describe the flow of processing by the sample program.

2.4.1 main Function

Figure 4 shows the flow of processing by the main function.

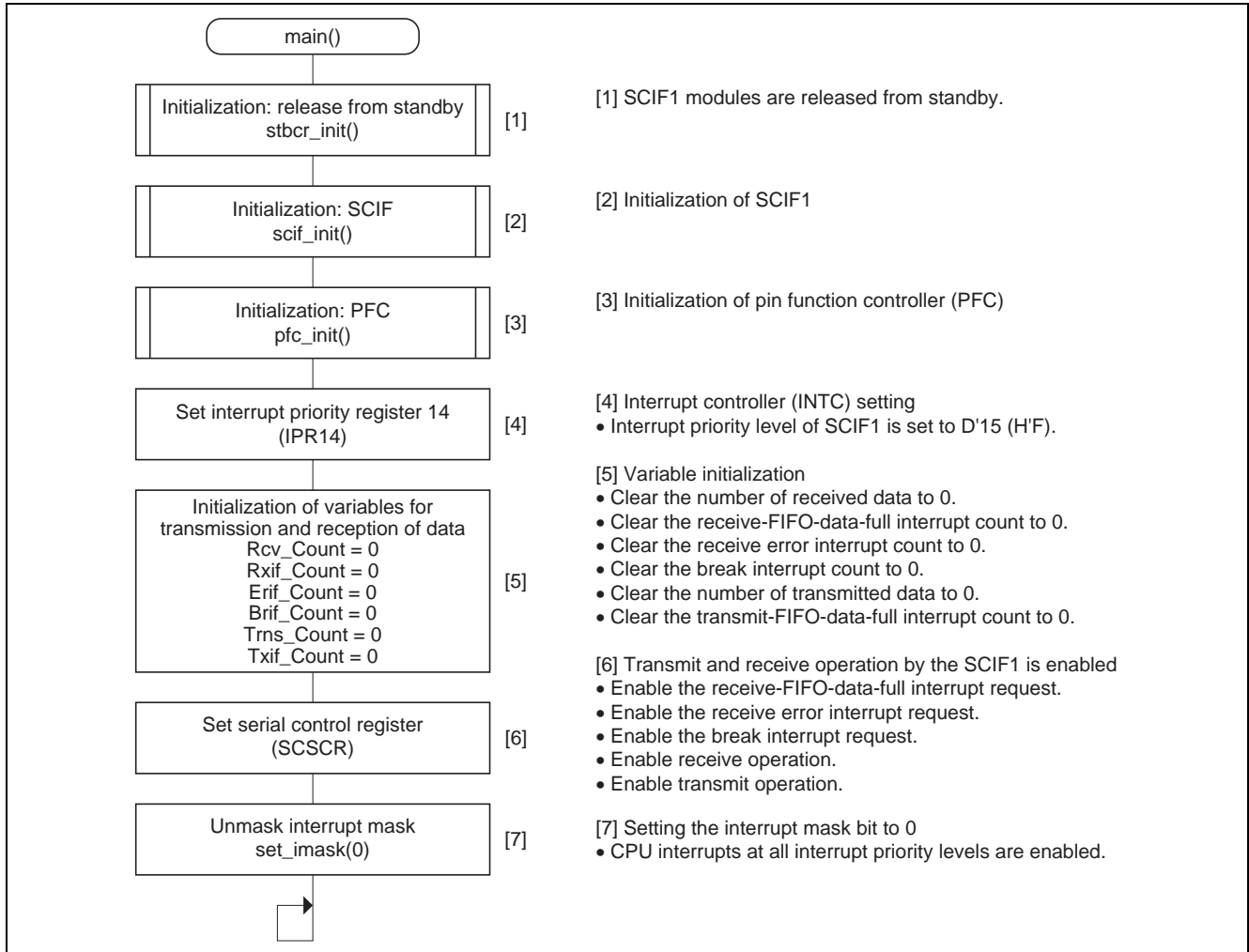


Figure 4 Flow of Processing by the main Function

2.4.2 Initialization of the Standby

Figure 5 shows the flow for initialization of the standby.

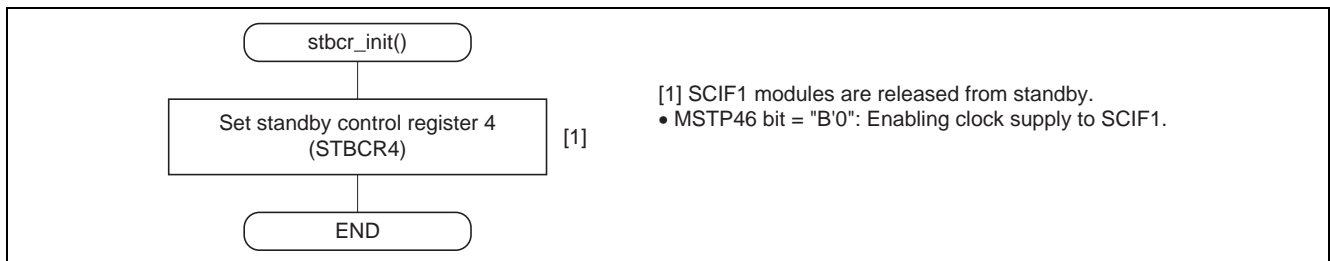


Figure 5 Flow for Initialization of the Standby

2.4.3 Initialization of Pin Function Controller (PFC)

Figure 6 shows the flow for initialization of the PFC.

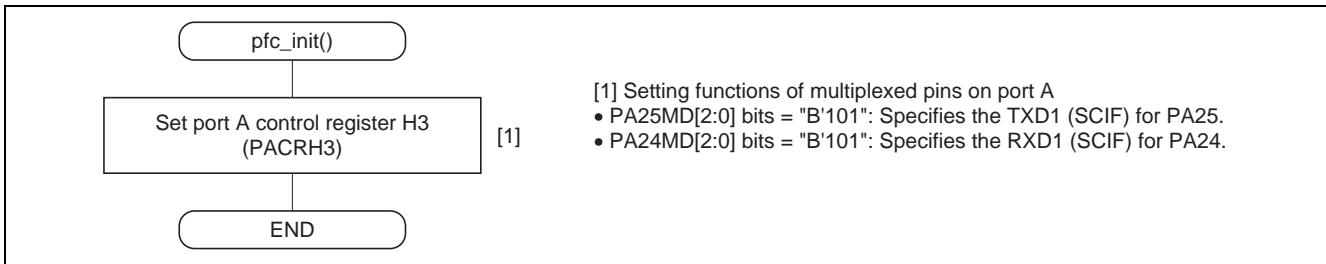


Figure 6 Flow for Initialization of the PFC

2.4.4 Initialization of Serial Communication Interface with FIFO (SCIF)

Figure 7 shows the flow for initialization of the SCIF.

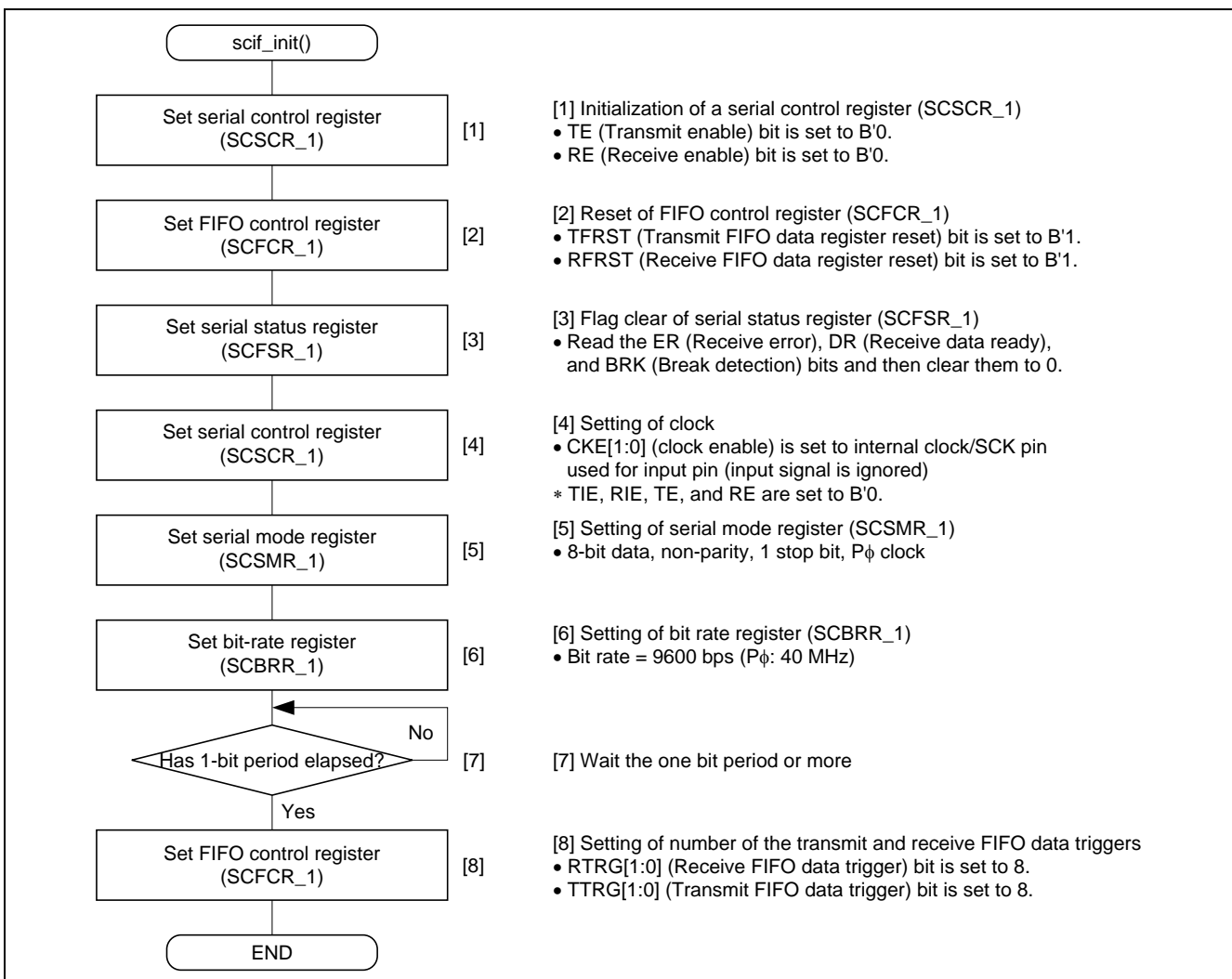


Figure 7 Flow for Initialization of the SCIF

2.4.5 SCIF Receive-FIFO-Data-Full Interrupt Function

Figure 8 shows the flow for SCIF receive-FIFO-data-full interrupt function.

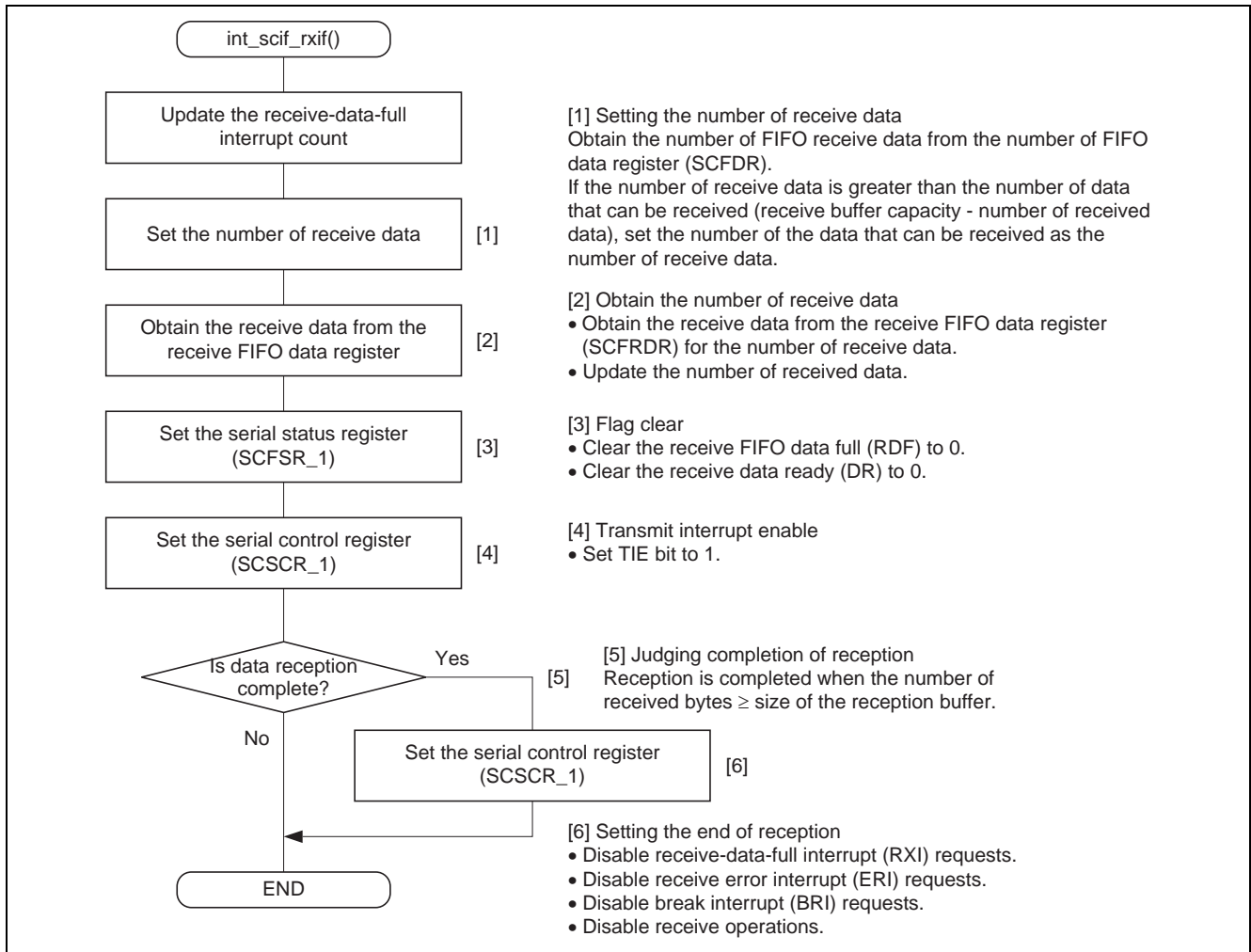


Figure 8 Flow for SCIF Receive-FIFO-Data-Full Interrupt Function

2.4.6 SCIF Receive Error Interrupt Function

Figure 9 shows the flow for SCIF receive error interrupt function.

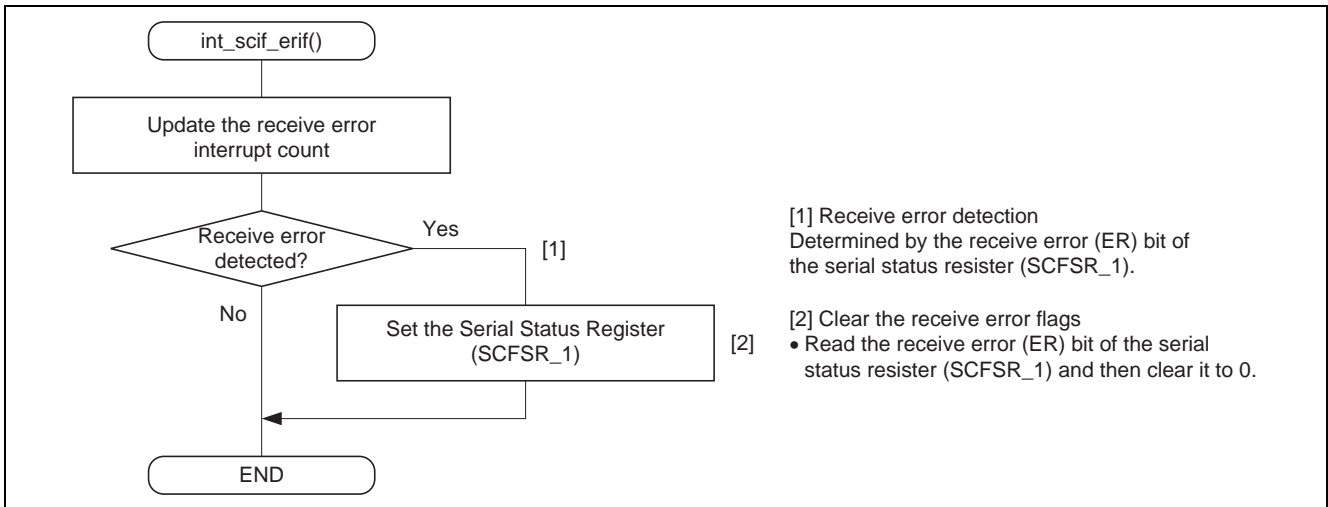


Figure 9 Flow for SCIF Receive Error Interrupt Function

2.4.7 SCIF Break Interrupt Function

Figure 10 shows the flow for SCIF break interrupt function.

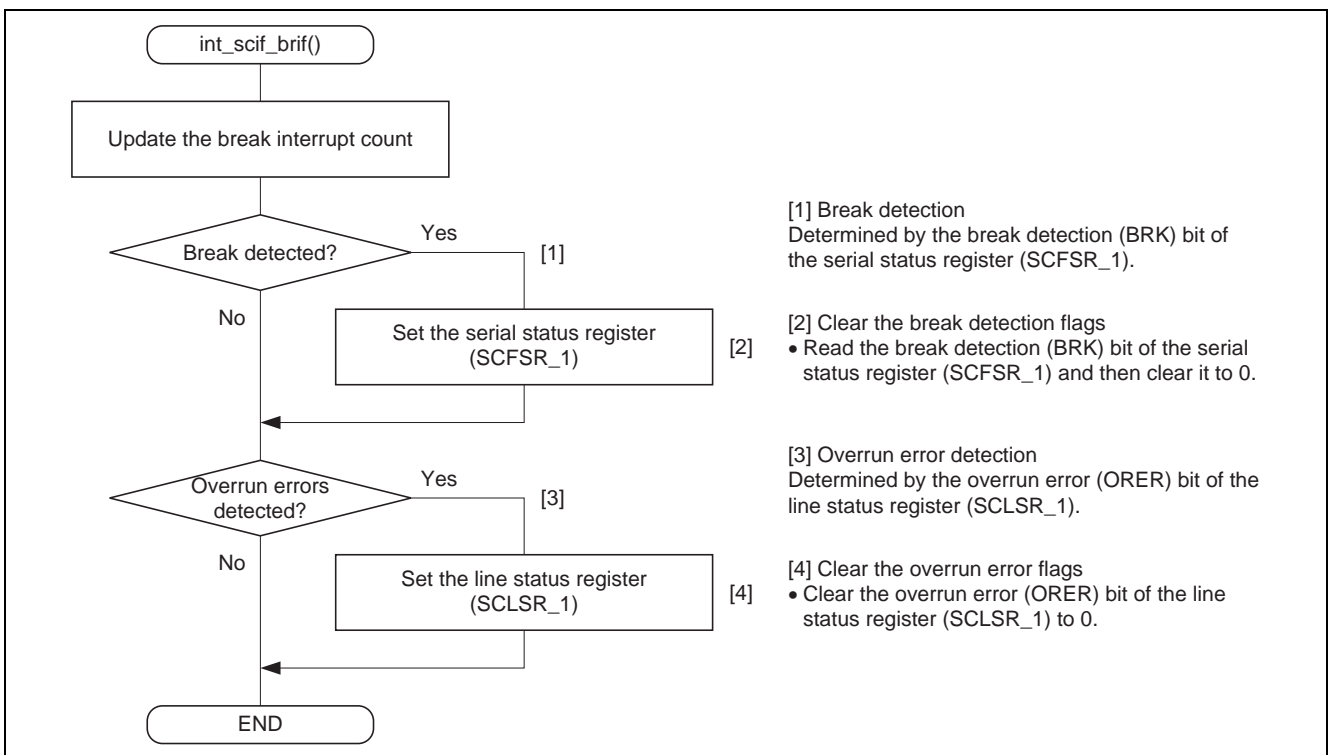


Figure 10 Flow for SCIF Break Interrupt Function

2.4.8 SCIF Transmit-FIFO-Data-Empty Interrupt Function

Figure 11 shows the flow for SCIF transmit-FIFO-data-empty interrupt function.

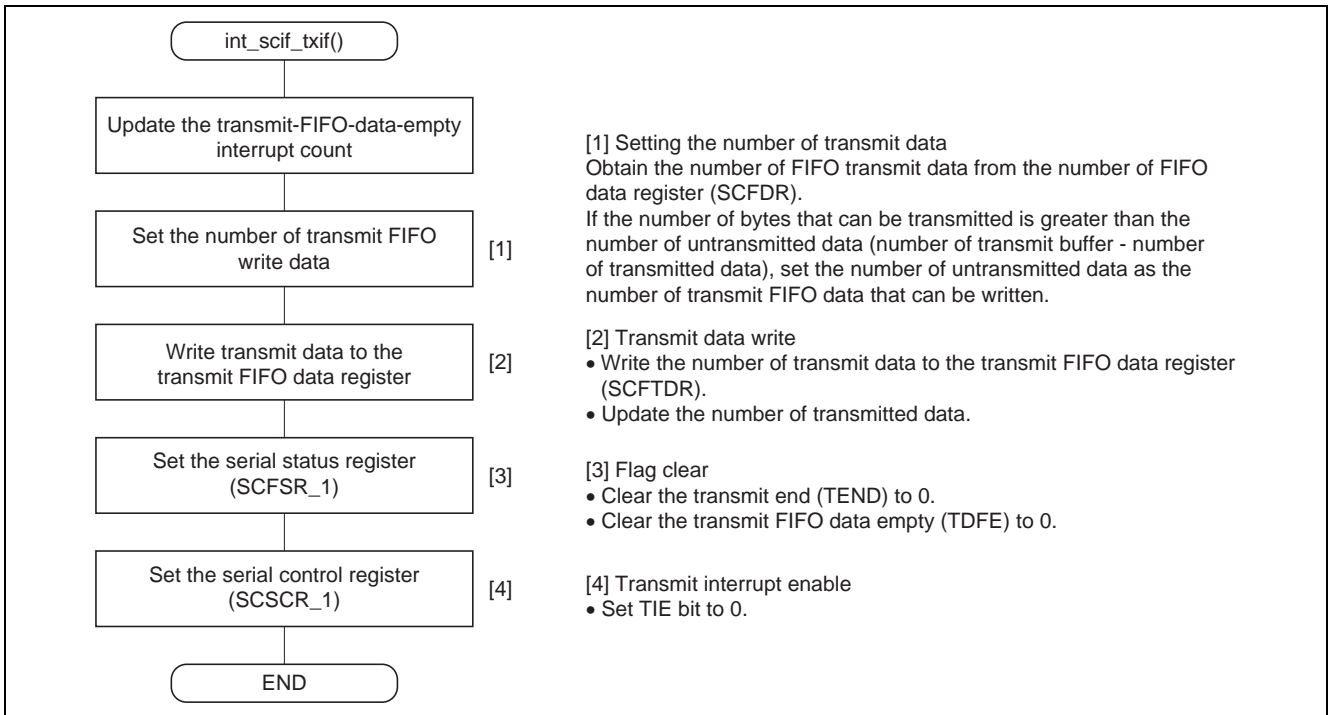


Figure 11 Flow for SCIF Transmit-FIFO-Data-Empty Interrupt Function

2.5 Settings of Registers in the Sample Program

The following describes the settings of registers used in the sample program.

2.5.1 Clock Pulse Generator (CPG)

Table 5 gives a list of settings for registers for the clock pulse generator (CPG).

Table 5 Clock Pulse Generator (CPG)

Register Name	Address	Setting	Description
Frequency control register (FRQCR)	H'FFFE0010	H'1303	Specifies division ratios for clock output setting and operating frequency <ul style="list-style-type: none"> • CKOEN = "B'1": Fix the CK pin low • STC[1:0] = "B'11": ×2, PLL circuit 1 • IFC[2:0] = "B'000": ×1, internal clock (Iϕ) • RNGS = "B'0": High frequency mode • PFC[2:0] = "B'011": ×1/4, peripheral clock (Pϕ)

2.5.2 Power-Down Modes

Table 6 gives register settings related to low-power modes.

Table 6 Power-Down Modes

Register Name	Address	Setting	Description
Standby control register 4 (STBCR4)	H'FFFE040C	H'B6	Settings for the operation of various modules <ul style="list-style-type: none"> • MSTP47 = "B'1": Clock supply to SCIF0 halted. • MSTP46 = "B'0": SCIF1 runs. • MSTP45 = "B'1": Clock supply to SCIF2 halted. • MSTP44 = "B'1": Clock supply to SCIF3 halted. • MSTP42 = "B'1": Clock supply to CMT halted. • MSTP41 = "B'1": Clock supply to WAVEIF halted.

2.5.3 Serial Communication Interface with FIFO (SCIF)

Table 7 gives a list of settings for registers of Serial Communication Interface with FIFO (SCIF).

Table 7 Serial Communication Interface with FIFO (SCIF)

Register Name	Address	Setting	Description
Serial mode register_1 (SCSMR_1)	H'FFFE8800	H'0000	Sets SCIF_1 mode <ul style="list-style-type: none"> C/A = "B'0": Asynchronous mode CHR = "B'0": 8-bit data PE = "B'0": Disables adding and checking of parity bits STOP = "B'0": 1 stop bit CKS[1:0] = "B'00": Pϕ clock
Bit rate register_1 (SCBRR_1)	H'FFFE8804	H'81	Bit rate: 9600 bps
Serial control register_1 (SCSCR_1)	H'FFFE8808	H'0070	Initialization <ul style="list-style-type: none"> TIE = "B'0": Disables transmit-FIFO-data-empty interrupt (TXI) requests (To start the transmit, enables interrupt requests) RIE = "B'1": Enables receive-FIFO-data-full interrupt (RXI), receive-error-interrupt (ERI), break interrupt (BRI) requests TE = "B'1": Enables transmission of data RE = "B'1": Enables reception of data REIE = "B'0": Disables receive-error-interrupt (ERI), break interrupt (BRI) requests CKE[1:0] = "B'00": Internal clock, SCK pin is used as an input pin (input signal is ignored)
Serial status register_1 (SCFSR_1)	H'FFFE8810	H'0060	Initial value <ul style="list-style-type: none"> PER[3:0] = Number of parity errors FER[3:0] = Number of framing errors ER = "B'0": Reception is in progress or has been completed normally. TEND = "B'1": Transmission has ended. TDFE = "B'1": The number of transmit data items written in SCFTDR is smaller than the specified transmit trigger number. BRK = "B'0": No break signal FER = "B'0": No framing error PER = "B'0": No parity error RDF = "B'1": The number of SCFRDR receive data items is smaller than the specified receive trigger number. DR = "B'0": Reception is in progress, or there is no receive data left in SCFRDR after normal reception.
FIFO control register_1 (SCFCR_1)	H'FFFE8818	H'0080	<ul style="list-style-type: none"> RTRG[1:0] = "B'10": Receive FIFO data trigger number = 8 TTRG[1:0] = "B'00": Transmit FIFO data trigger number = 8 TFRST = "B'0": Disables resetting of the transmit FIFO data register. RFRST = "B'0": Disables resetting of the receive FIFO data register. LOOP = "B'0": Disables loopback test

2.5.4 Interrupt Controller (INTC)

Table 8 gives a list of settings for registers of Interrupt Controller (INTC).

Table 8 Interrupt Controller (INTC)

Register Name	Address	Setting	Description
Interrupt priority register 14 (IPR14)	H'FFFE0C10	H'0F00	Selects interrupt priority (levels 0 to 15). <ul style="list-style-type: none"> • Bit 15-12 = "B'0000": SCIF_0 interrupt level = 0 • Bit 11-8 = "B'1111": SCIF_1 interrupt level = 15 • Bit 7-4 = "B'0000": SCIF_2 interrupt level = 0 • Bit 3-0 = "B'0000": SCIF_3 interrupt level = 0

2.5.5 Pin Function Controller (PFC)

Table 9 gives a list of settings for registers of Pin Function Controller (PFC).

Table 9 Pin Function Controller (PFC)

Register Name	Address	Setting	Description
Port A control register H3 (PACRH3)	H'FFFE380A	H'0055	Specifies functions of multiplexed pins on port A. <ul style="list-style-type: none"> • PA25MD[2:0] = "B'101": Specifies the TXD1 output (SCIF) for PA25. • PA24MD[2:0] = "B'101": Specifies the RXD1 input (SCIF) for PA24.

3. Documents for Reference

- Hardware Manual
SH7211 Group Hardware Manual (REJ09B0344)
(The most up-to-date version of this document is available on the Renesas Technology Website.)
- Software Manual
SH-2A, SH2A-FPU Software Manual (REJ09B0051)
(The most up-to-date version of this document is available on the Renesas Technology Website.)

Website and Support

Renesas Technology Website
<http://www.renesas.com/>

Inquiries
<http://www.renesas.com/inquiry>
csc@renesas.com

Revision Record

Rev.	Date	Description	
		Page	Summary
1.00	Sep.10.09	—	First edition issued

All trademarks and registered trademarks are the property of their respective owners.

Notes regarding these materials

1. This document is provided for reference purposes only so that Renesas customers may select the appropriate Renesas products for their use. Renesas neither makes warranties or representations with respect to the accuracy or completeness of the information contained in this document nor grants any license to any intellectual property rights or any other rights of Renesas or any third party with respect to the information in this document.
2. Renesas shall have no liability for damages or infringement of any intellectual property or other rights arising out of the use of any information in this document, including, but not limited to, product data, diagrams, charts, programs, algorithms, and application circuit examples.
3. You should not use the products or the technology described in this document for the purpose of military applications such as the development of weapons of mass destruction or for the purpose of any other military use. When exporting the products or technology described herein, you should follow the applicable export control laws and regulations, and procedures required by such laws and regulations.
4. All information included in this document such as product data, diagrams, charts, programs, algorithms, and application circuit examples, is current as of the date this document is issued. Such information, however, is subject to change without any prior notice. Before purchasing or using any Renesas products listed in this document, please confirm the latest product information with a Renesas sales office. Also, please pay regular and careful attention to additional and different information to be disclosed by Renesas such as that disclosed through our website. (<http://www.renesas.com>)
5. Renesas has used reasonable care in compiling the information included in this document, but Renesas assumes no liability whatsoever for any damages incurred as a result of errors or omissions in the information included in this document.
6. When using or otherwise relying on the information in this document, you should evaluate the information in light of the total system before deciding about the applicability of such information to the intended application. Renesas makes no representations, warranties or guaranties regarding the suitability of its products for any particular application and specifically disclaims any liability arising out of the application and use of the information in this document or Renesas products.
7. With the exception of products specified by Renesas as suitable for automobile applications, Renesas products are not designed, manufactured or tested for applications or otherwise in systems the failure or malfunction of which may cause a direct threat to human life or create a risk of human injury or which require especially high quality and reliability such as safety systems, or equipment or systems for transportation and traffic, healthcare, combustion control, aerospace and aeronautics, nuclear power, or undersea communication transmission. If you are considering the use of our products for such purposes, please contact a Renesas sales office beforehand. Renesas shall have no liability for damages arising out of the uses set forth above.
8. Notwithstanding the preceding paragraph, you should not use Renesas products for the purposes listed below:
 - (1) artificial life support devices or systems
 - (2) surgical implantations
 - (3) healthcare intervention (e.g., excision, administration of medication, etc.)
 - (4) any other purposes that pose a direct threat to human life
 Renesas shall have no liability for damages arising out of the uses set forth in the above and purchasers who elect to use Renesas products in any of the foregoing applications shall indemnify and hold harmless Renesas Technology Corp., its affiliated companies and their officers, directors, and employees against any and all damages arising out of such applications.
9. You should use the products described herein within the range specified by Renesas, especially with respect to the maximum rating, operating supply voltage range, movement power voltage range, heat radiation characteristics, installation and other product characteristics. Renesas shall have no liability for malfunctions or damages arising out of the use of Renesas products beyond such specified ranges.
10. Although Renesas endeavors to improve the quality and reliability of its products, IC products have specific characteristics such as the occurrence of failure at a certain rate and malfunctions under certain use conditions. Please be sure to implement safety measures to guard against the possibility of physical injury, and injury or damage caused by fire in the event of the failure of a Renesas product, such as safety design for hardware and software including but not limited to redundancy, fire control and malfunction prevention, appropriate treatment for aging degradation or any other applicable measures. Among others, since the evaluation of microcomputer software alone is very difficult, please evaluate the safety of the final products or system manufactured by you.
11. In case Renesas products listed in this document are detached from the products to which the Renesas products are attached or affixed, the risk of accident such as swallowing by infants and small children is very high. You should implement safety measures so that Renesas products may not be easily detached from your products. Renesas shall have no liability for damages arising out of such detachment.
12. This document may not be reproduced or duplicated, in any form, in whole or in part, without prior written approval from Renesas.
13. Please contact a Renesas sales office if you have any questions regarding the information contained in this document, Renesas semiconductor products, or if you have any other inquiries.