

RX62N Group

Clock Synchronous Single Master Control Software Using the SCI

R01AN1088EJ0101

Rev.1.01

Dec. 28, 2012

Abstract

This application note describes a clock synchronous single master control method that uses RX62N Group serial communication interface (SCI) clock synchronous (three-wire method) serial communication and sample code that uses that method.

SPI mode single master control can be implemented by adding SPI slave device selection control using port control.

This sample code implements the single master basic control method that is unique to these microcontrollers. The user should implement the software required to control the slave devices using this sample code.

Note that Renesas provides sample software to control slave devices. We recommend acquiring that software and using it in conjunction with this sample code.

Target Devices

Target microcontroller: RX62N Group microcontrollers

Devices used in verifying operation

- Renesas Electronics Corporation R1EX25xxx Series SPI Serial EEPROM
- Micron Technology M25P Series Serial Flash Memory Control Software 64 Mbits
- Micron Technology M45PE Series Serial Flash Memory Control Software 1 Mbit

When using this application note's sample code with another microcontroller, the code must be modified to match the specifications of the microcontroller used and tested thoroughly.

Contents

- 1. Specifications 4
- 2. Verified Operating Conditions 5
- 3. Related Application Notes 6
- 4. Hardware Description 7
 - 4.1 Reference Circuit 7
 - 4.2 List of Pins..... 7
- 5. Software Description 8
 - 5.1 Operation Overview 8
 - 5.1.1 Timing Generated in Clock Synchronous Operation 8
 - 5.1.2 SPI Slave Device CE# Pin Control 8
 - 5.2 Software Control Outline 9
 - 5.2.1 Software Structure 9
 - 5.2.2 Relationship Between Data Buffers and Transmit/Receive Data 10
 - 5.3 Size of Required Memory 11
 - 5.4 File Configuration 12
 - 5.5 List of Constants 13
 - 5.5.1 Return Values 13
 - 5.5.2 Definitions 13
 - 5.6 Structures and Unions 14
 - 5.7 List of Functions 14
 - 5.8 State Transition Diagram 15
 - 5.9 Function Specifications 16
 - 5.9.1 Driver Initialization 16
 - 5.9.2 Serial I/O Disable Setup Processing 17
 - 5.9.3 Serial I/O Enable Setup Processing 18
 - 5.9.4 Serial I/O Open Setup Processing..... 19
 - 5.9.5 Serial I/O Data Transmission Processing 20
 - 5.9.6 Serial I/O Data Reception Processing 22
 - 5.10 Inline Function Specifications 24
 - 5.10.1 SIO_IO_INIT() 24
 - 5.10.2 SIO_IO_OPEN() 24
 - 5.10.3 SIO_DATAI_INIT() 25
 - 5.10.4 SIO_DATAO_INIT() 25
 - 5.10.5 SIO_DATAO_OPEN() 26
 - 5.10.6 SIO_CLK_INIT()..... 26
 - 5.10.7 SIO_CLK_OPEN() 27
 - 5.10.8 SIO_ENABLE() 27
 - 5.10.9 SIO_DISABLE() 28
 - 5.10.10 SIO_TX_ENABLE()..... 29
 - 5.10.11 SIO_TX_DISABLE()..... 29
 - 5.10.12 SIO_TRX_ENABLE() 30
 - 5.10.13 SIO_TRX_DISABLE() 30

- 5.10.14 SIO_SSR_CLEAR() 31
- 5.10.15 SIO_IR_CLEAR() 31

- 6. Sample Application 32
 - 6.1 mtl_com.h (Common header file) 32
 - 6.1.2 mtl_tim.h 34
 - 6.2 Settings for the Clock Synchronous Single Master Control Software..... 35
 - 6.2.1 R_SIO.h 35
 - 6.2.2 R_SIO_sci.h..... 35

- 7. Usage Notes 39
 - 7.1 Notes on Embedding 39
 - 7.2 Unused Functions 39
 - 7.3 Using a Different Microcontroller..... 39
 - 7.4 CRC Unit Module Stop Setting (option) 39
 - 7.5 Input Buffer Control Register (PORTn.ICR) Setting 39
 - 7.6 Compiler Options 39

1. Specifications

This sample program uses RX62N Group microcontroller SCI clock synchronous (three-wire method) serial communications to perform clock synchronous control. SPI mode single master control can be implemented by adding SPI slave device selection control using port control.

Table 1.1 lists the used peripheral functions and their uses and figure 1.1 shows an example of the use of this application.

In the following, we present an overview of these functions.

- An RX62N is used as the master device and the sample program implements a block type device driver for clock synchronous single master communication using the SCI.
- The microcontroller’s built-in clock synchronous (three-wire method) serial communications function is used. A single channel set up by the user can also be used. Multiple channels cannot be used.
- This sample code does not support chip select control. If an SPI device is controlled, it will be necessary to provide device select control code separately.
- This sample code supports both big endian and little endian byte orders.
- Data is transferred in MSB-first format by means of software conversion.
- Only CPU transfers are supported. DMAC, EXDMAC, and DTC transfers are not supported.
- Using interrupts to start transfers is not supported.

Table 1.1 Peripheral Devices and Uses

Peripheral Device	Use
SCI	Clock synchronous (three-wire method) serial communications: 1 channel (required)
Port	Used for SPI slave device selection control A number of ports corresponding to the number of devices used are needed (required). Note, however, that ports are not used in this sample code.

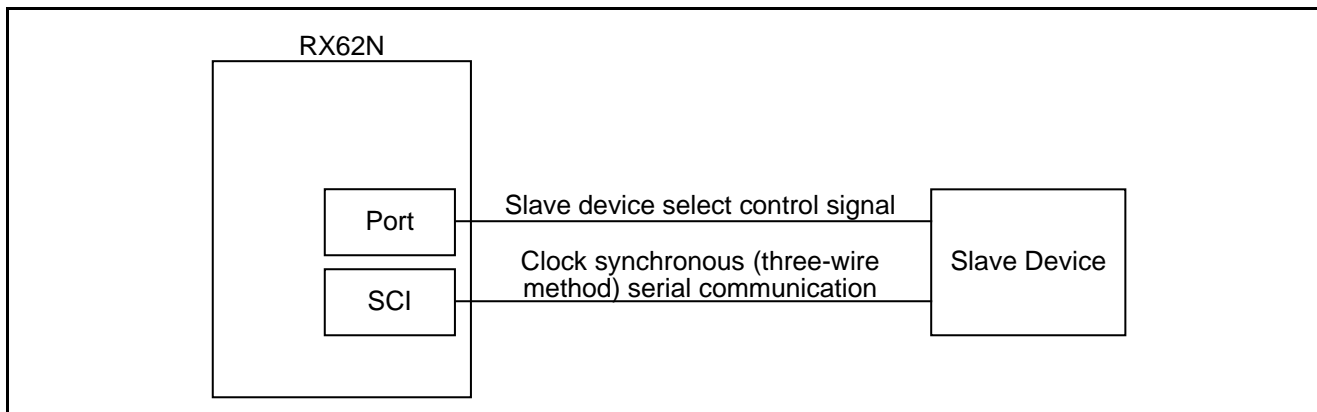


Figure 1.1 Usage Example

2. Verified Operating Conditions

Operation of this application note’s sample code has been verified under the following conditions.

Table 2.1 Verified Operating Conditions

Item	Description
Microcontroller used	RX62N Group (Program ROM: 512 KB, RAM: 96 KB)
Memory	Renesas Electronics Corporation R1EX25xxx Series SPI Serial EEPROM
Operating frequency	ICLK: 96 MHz, PCLK: 48 MHz
Operating voltage	3.3 V
Integrated development environment	Renesas Electronics Corporation High-performance embedded Workshop Version 4.09.00.007
Compiler	Renesas Electronics Corporation RX Family C/C++ Compiler Package (Toolchain 1.2.1.0) Compiler options The integrated development environment default settings* ¹ are used. Note: 1. Optimization level: 2, optimization method: Size priority
Endian order	Big endian / Little endian
Sample code version number	Ver. 2.01
Software	Renesas R1EX25xxx Series Serial EEPROM Control Software (R01AN0565EJ), Version 2.02
Board	Renesas Starter Kit for RX62N

Table 2.2 Verified Operating Conditions

Item	Description
Microcontroller used	RX62N Group (Program ROM: 512 KB, RAM: 96 KB)
Memory	Micron Technology M25P Series Serial Flash Memory: 64 Mbits
Operating frequency	ICLK: 96 MHz, PCLK: 48 MHz
Operating voltage	3.3 V
Integrated development environment	Renesas Electronics Corporation High-performance embedded Workshop Version 4.09.00.007
Compiler	Renesas Electronics Corporation RX Family C/C++ Compiler Package (Toolchain 1.2.1.0) Compiler options The integrated development environment default settings* ¹ are used. Note: 1. Optimization level: 2, optimization method: Size priority
Endian order	Big endian / Little endian
Sample code version number	Ver. 2.01
Software	Micron Technology M25P Series Serial Flash Memory Control Software (R01AN0566EJ), Version 2.01
Board	Renesas Starter Kit for RX62N

Table 2.3 Verified Operating Conditions

Item	Description
Microcontroller used	RX62N Group (Program ROM: 512 KB, RAM: 96 KB)
Memory	Micron Technology M25P Series Serial Flash Memory: 1 Mbit
Operating frequency	ICLK: 96 MHz, PCLK: 48 MHz
Operating voltage	3.3 V
Integrated development environment	Renesas Electronics Corporation High-performance embedded Workshop Version 4.09.00.007
Compiler	Renesas Electronics Corporation RX Family C/C++ Compiler Package (Toolchain 1.2.1.0) Compiler options The integrated development environment default settings* ¹ are used. Note: 1. Optimization level: 2, optimization method: Size priority
Endian order	Big endian / Little endian
Sample code version number	Ver. 2.01
Software	Micron Technology M45PE Series Serial Flash Memory Control Software (R01AN0567EJ), Version 2.01
Board	Renesas Starter Kit for RX62N

3. Related Application Notes

Related application notes are listed below. Refer to these when using this application note.

- Renesas R1EX25xxx Series Serial EEPROM Control Software (R01AN0565EJ)
- Micron Technology M25P Series Serial Flash Memory Control Software (R01AN0566EJ)
- Micron Technology M45PE Series Serial Flash Memory Control Software (R01AN0567EJ)

4. Hardware Description

4.1 Reference Circuit

Figure 4.1 shows the device connection circuit diagram.

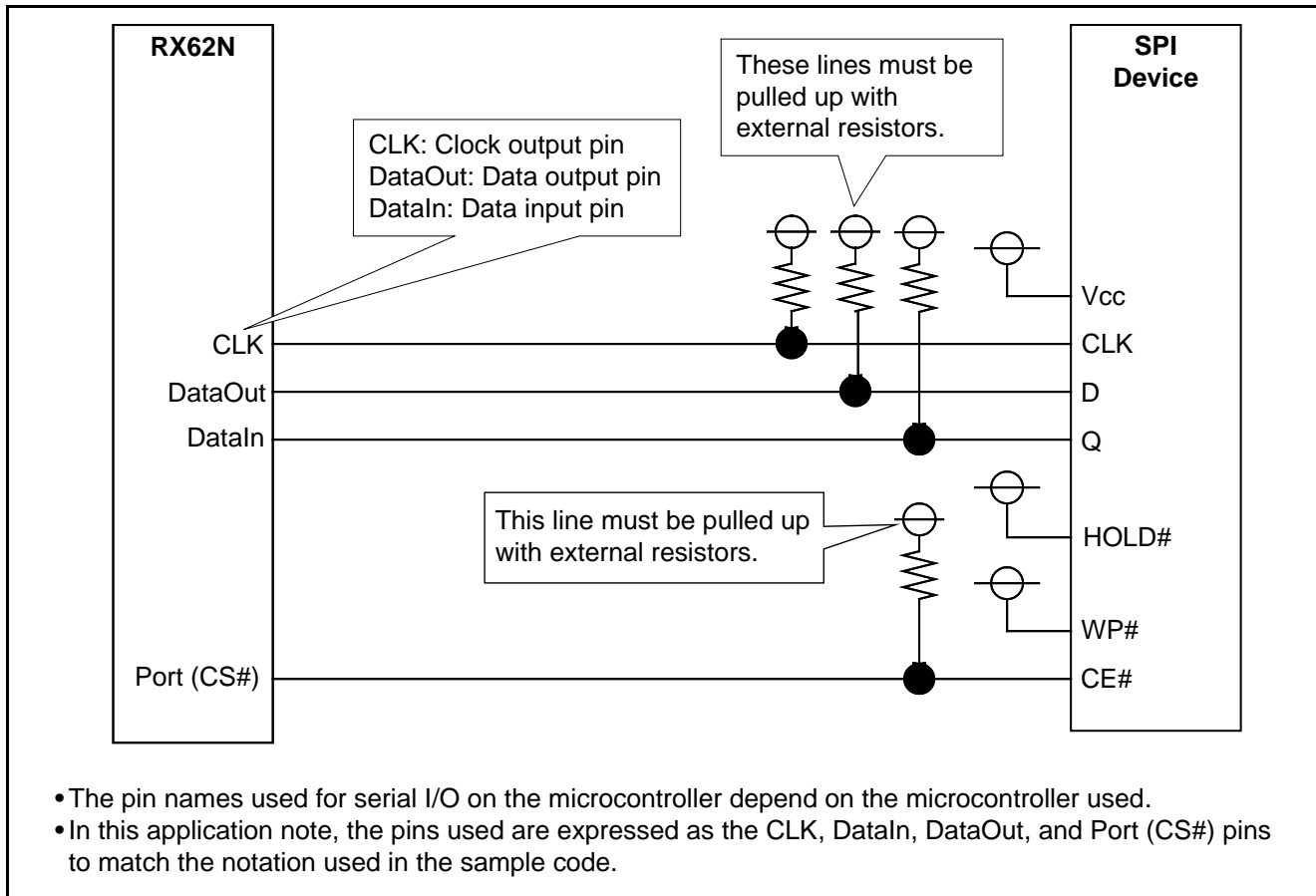


Figure 4.1 Connection Between RX62N SCI and SPI Slave Device

4.2 List of Pins

Table 4.1 lists the pins used and their functions.

Table 4.1 Pins and Usage

Pin Name	I/O	Description
SCK (CLK in figure 4.1)	Output	Clock output
TxD (DataOut in figure 4.1)	Output	Master data output
RxD (DataIn in figure 4.1)	Input	Master data input
Port (Port(CS#) in figure 4.1)	Output	Slave device select output Note, however, that this pin is not handled by this sample code.

5. Software Description

5.1 Operation Overview

This sample code uses the SCI module's clock synchronous (three-wire method) serial communication function to implement clock synchronous single master control.

This sample code implements the following control operation.

- Control of data transmit/receive operations in clock synchronous operation (using an internal clock).

5.1.1 Timing Generated in Clock Synchronous Operation

This sample code generates the SPI mode 3 (CPOL = 1, CPHA = 1) timing shown in figure 6.1, which is required for SPI slave device control.

The RX62N SCI does not support data transfer in MSB-first format. Data transfer in MSB-first format is implemented in the sample code by means of software conversion.

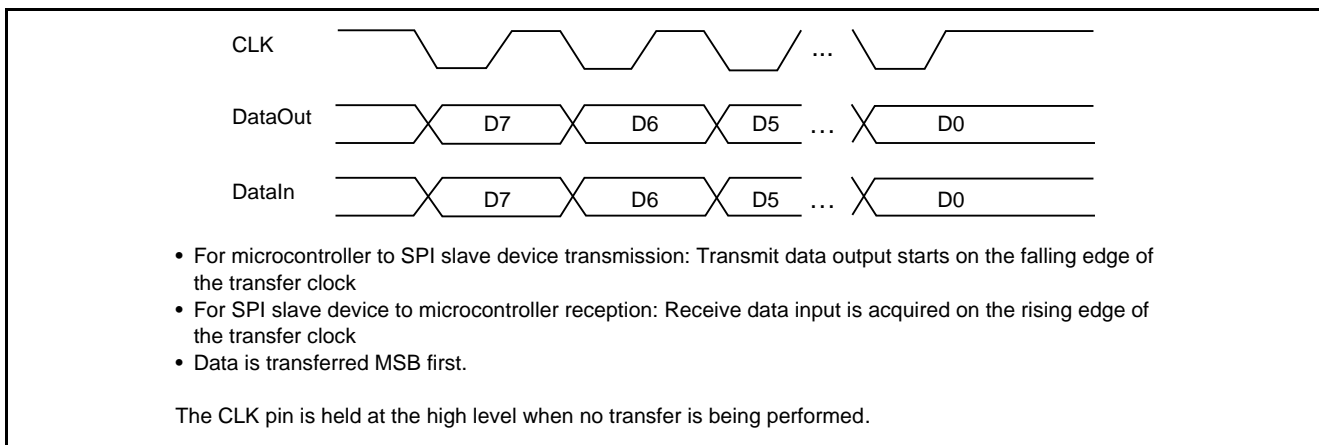


Figure 5.1 Timing Settings for Clock Synchronous Operation

Check the microcontroller and SPI slave device datasheets for the serial clock frequencies that can be used.

5.1.2 SPI Slave Device CE# Pin Control

This sample code does not control the SPI slave device CE# pin. To control an SPI device, the user must provide SPI slave device CE# pin control separately.

As the control method, we recommend connecting to a microcontroller port and controlling the SPI device with the microcontroller general-purpose port output.

Also, the application must provide time from the fall of the SPI device CE# (microcontroller port CS#) signal to the fall of the SPI device CLK (the microcontroller CLK) signal.

Similarly, the application must provide time from the rise of the SPI device CLK (the microcontroller CLK) signal to the rise of the SPI device CE# (microcontroller port CS#) signal.

Check the SPI device data sheet, and implement the application with software wait times appropriate for the system.

5.2 Software Control Outline

5.2.1 Software Structure

This sample code implements a single master basic control method that is unique to the microcontroller.

In particular, this sample code implements control that uses SPI mode 3 (CPOL = 1, CPHA = 1) without control of the SPI slave device CE# pin.

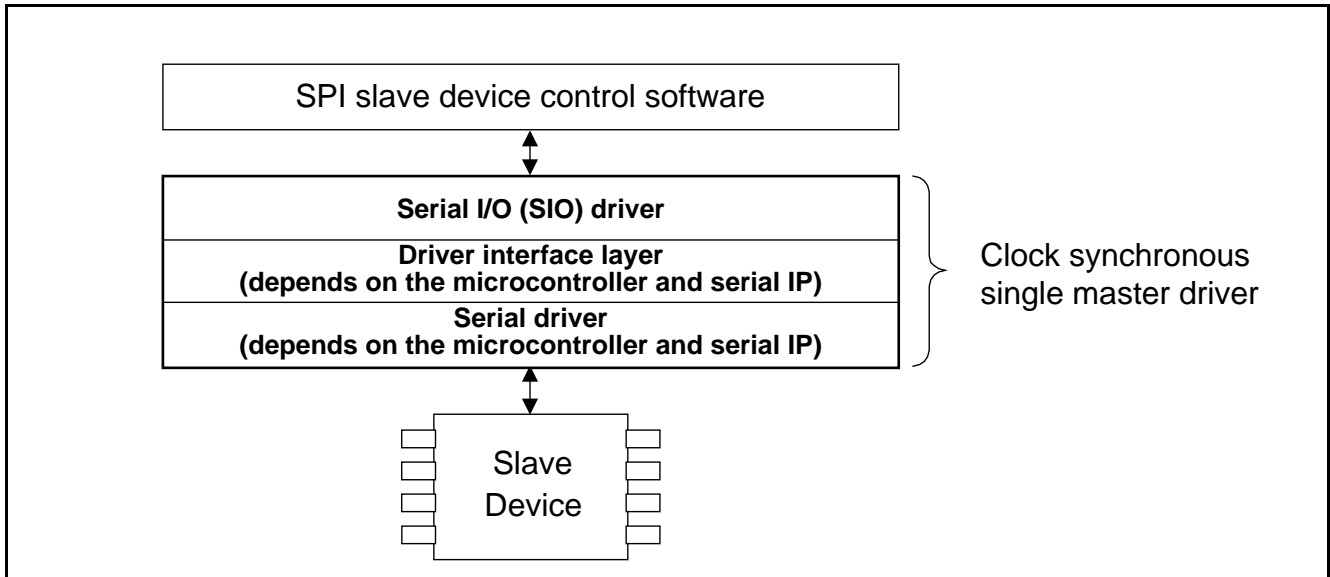


Figure 5.2 Software Structure

The user must implement slave device access by referring to the functions shown in section 5.8, State Transition Diagram, and section 5.9, Function Specifications.

Refer to the previously mentioned section 3, Related Application Notes for specific application examples.

5.2.2 Relationship Between Data Buffers and Transmit/Receive Data

This sample code is a block type device driver and passes the transmit or receive data pointer as an argument. The relationship between the data ordering in the data buffer in RAM and the transmit/receive order is shown below and this sample code both transmits in the order data is stored in the transmit buffer and writes data to the receive data buffer in the order received regardless of the endian order or serial communication function used.

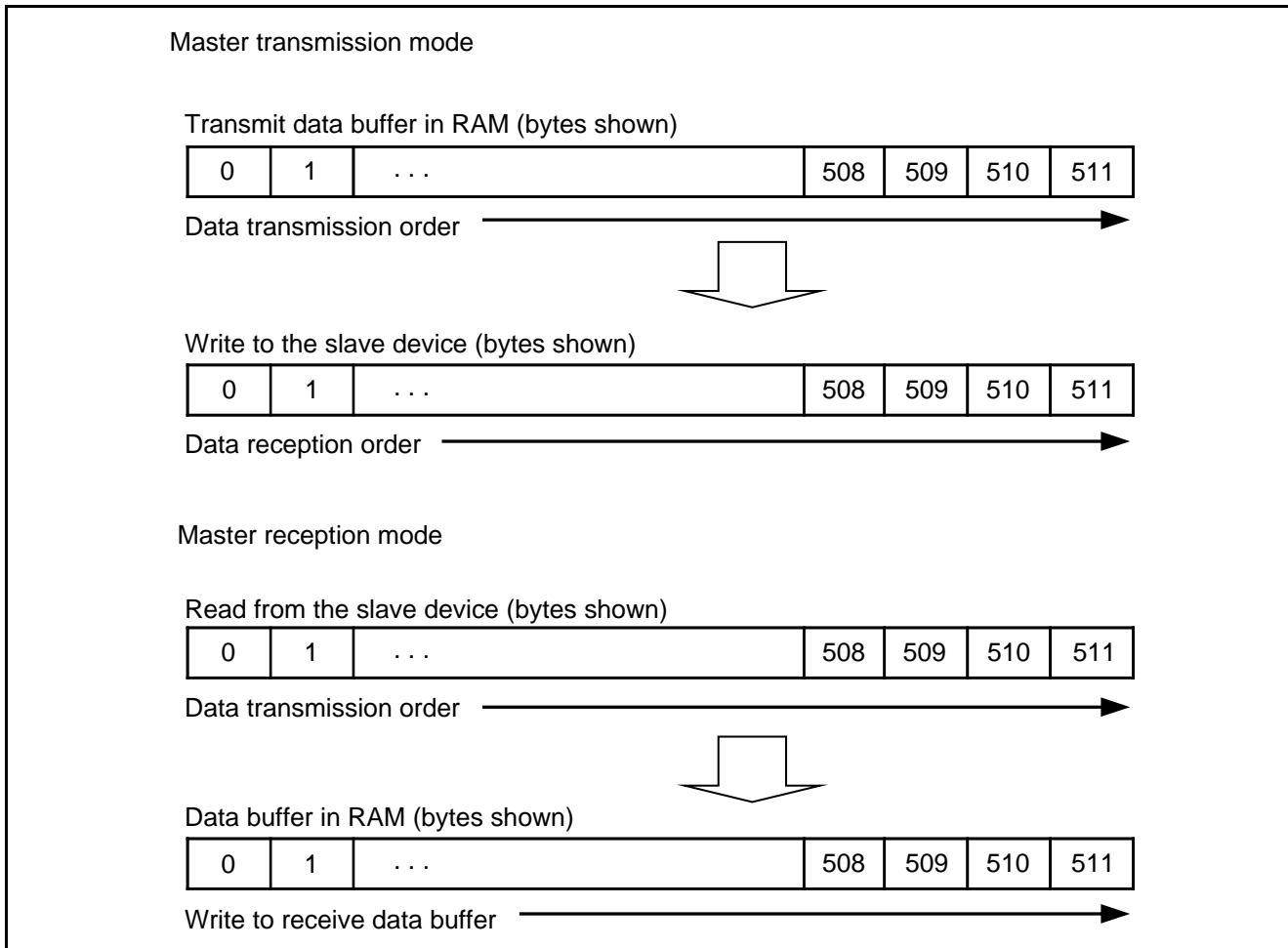


Figure 5.3 Relationship Between Data Buffers and Transmit/Receive Data

5.3 Size of Required Memory

Table 5.1 lists the memory requirements.

The memory sizes listed in table 5.1 apply when SIO_OPTION_1 is selected with the operating mode definition used in section 6.2.2, R_SIO_sci.h (1). The memory requirements differ depending on the selected definition.

Table 5.1 Memory Requirements

Memory Used	Size	Remarks
ROM	696 bytes (little endian)	R_SIO_sci_rx.c
RAM	0 byte (little endian)	R_SIO_sci_rx.c
Maximum user stack usage	52 bytes	
Maximum interrupt stack usage	$\frac{3}{4}$	

The memory requirements may differ with the version of the C compiler used or with the compiler options specified.

The above memory requirements may differ depending on the endian order selected.

5.4 File Configuration

Table 5.2 lists the files used by the sample code. Note that the files automatically generated by the integrated development environment are not included.

Table 5.2 File Configuration

\an_r01an1088ej0101_rx62n_serial	<DIR>	Sample code folder
r01an1088ej0101_rx62n.pdf		Application note
\source	<DIR>	Program folder
\com	<DIR>	Common function folder
Note 1		
mtl_com.c		Common function definitions
mtl_com.h.common		Common header file
mtl_com.h.RX		Common functions header file
mtl_endi.c		Common files (endian setting related)
mtl_mem.c		Common files (Standard library functions)
mtl_os.c	mtl_os.h	Common files (Standard library functions)
mtl_str.c		Common files (Standard library functions)
mtl_tim.c	mtl_tim.h	Common files (Loop timer related)
mtl_tim.h.sample		Sample loop timer settings
\r_sio_sci_rx	<DIR>	Folder for clock synchronous single master control software using the SCI
R_SIO.h		Header file
R_SIO_sci.h.rx62n		Interface module common definitions
R_SIO_sci_rx.c		Interface module

Note: 1. The files held in the com folder are also used by the slave device control software. Use the latest versions of these files.

5.5 List of Constants

5.5.1 Return Values

Table 5.3 lists the return values used in the sample code.

Table 5.3 Return Values

Constant Name	Value	Description
SIO_OK	(error_t)(0)	Successful operation
SIO_ERR_PARAM	(error_t)(-1)	Parameter error
SIO_ERR_HARD	(error_t)(-2)	Hardware error
SIO_ERR_OTHER	(error_t)(-7)	Other error

5.5.2 Definitions

Table 5.4 lists the values for certain definitions used in the sample code.

Table 5.4 Return Values

Constant Name	Value	Description
SIO_LOG_ERR	(uint8_t)0x01	Log type: Error
SIO_TRUE	(uint8_t)0x01	Flag "ON"
SIO_FALSE	(uint8_t)0x00	Flag "OFF"
SIO_HI	(uint8_t)0x01	Port "H"
SIO_LOW	(uint8_t)0x00	Port "L"
SIO_OUT	(uint8_t)0x01	Port output setting
SIO_IN	(uint8_t)0x00	Port input setting
SIO_TX_WAIT	(uint16_t)50000	SIO transmission completion waiting time 50000* 1 us = 50 ms
SIO_RX_WAIT	(uint16_t)50000	SIO reception completion waiting time 50000* 1 us = 50 ms
SIO_DMA_TX_WAIT	(uint16_t)50000	DMA transmission completion waiting time 50000* 1 us = 50 ms
SIO_DMA_RX_WAIT	(uint16_t)50000	DMA reception completion waiting time 50000* 1 us = 50 ms
SIO_T_SIO_WAIT	(uint16_t)MTL_T_1US	SIO transmission&reception completion waiting polling time
SIO_T_DMA_WAIT	(uint16_t)MTL_T_1US	DMA transmission&reception completion waiting polling time
SIO_T_BRR_WAIT	(uint16_t)MTL_T_10US	BRR setting wait time

5.6 Structures and Unions

The structures used in the sample code are shown below.

```

/* uint32_t <-> uint8_t conversion */
typedef union {
    uint32_t ul;
    uint8_t uc[4];
} SIO_EXCHG_LONG;          /* total 4byte          */

/* uint16_t <-> uint8_t conversion */
typedef union {
    uint16_t us;
    uint8_t uc[2];
} SIO_EXCHG_SHORT;       /* total 2byte          */

```

5.7 List of Functions

Table 5.5 lists the functions in the sample code.

Table 5.5 List of Functions

Function Name	Outline
R_SIO_Init_Driver()	Driver initialization
R_SIO_Disable()	Disables serial I/O
R_SIO_Enable()	Enables serial I/O
R_SIO_Open_Port()	Releases serial I/O
R_SIO_Tx_Data()	Transmits serial I/O data
R_SIO_Rx_Data()	Receives serial I/O data

5.8 State Transition Diagram

Figure 5.4 shows the state transition diagram for this system.

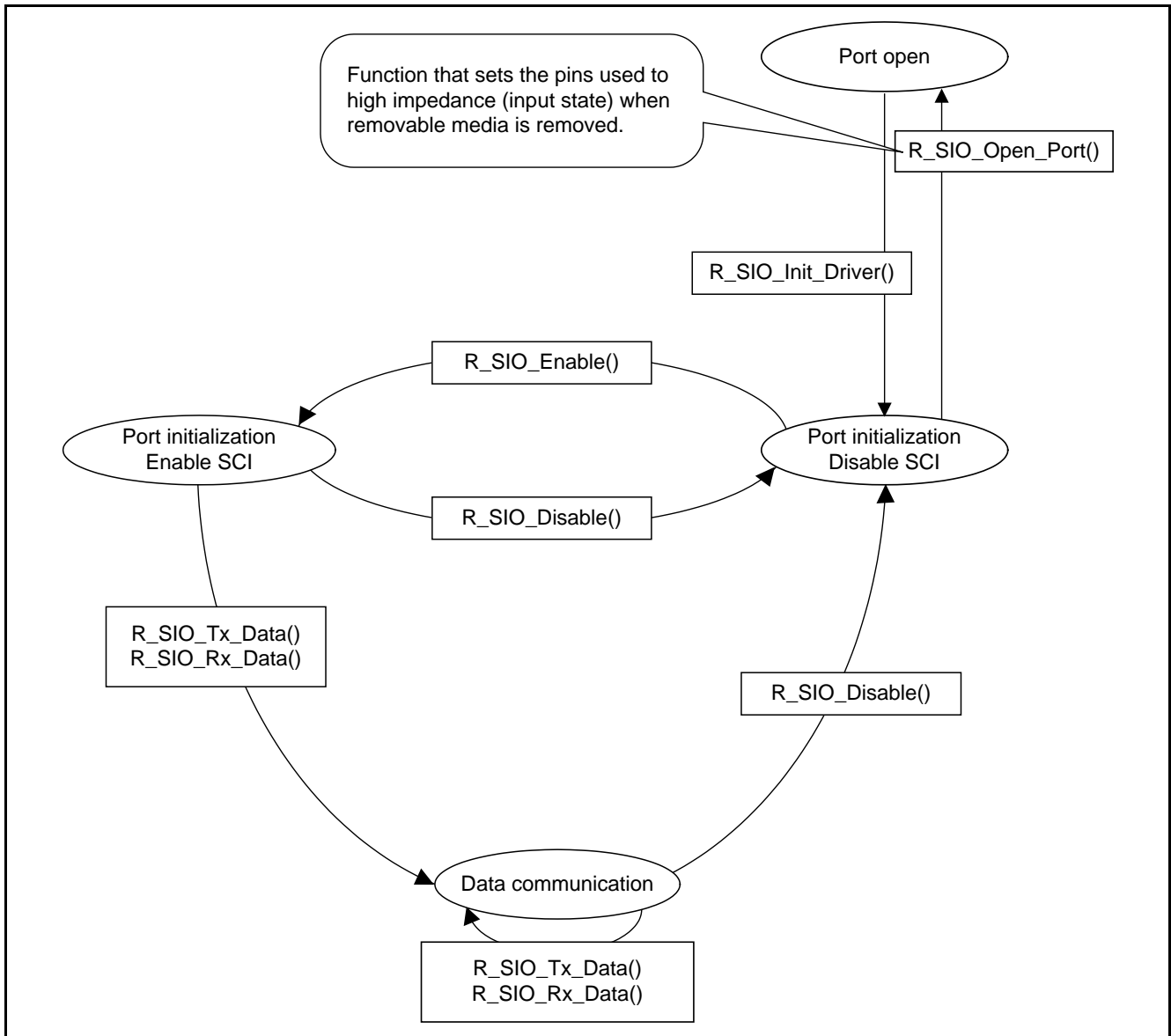


Figure 5.4 State Transition Diagram

5.9 Function Specifications

5.9.1 Driver Initialization

R_SIO_Init_Driver

Outline	Driver initialization
Header	R_SIO.h, R_SIO_sci.h, mtl_com.h
Declaration	error_t R_SIO_Init_Driver(void)
Description	<ul style="list-style-type: none"> Initializes the driver. Disables the serial I/O function and sets the pins to their port function. This function must be called exactly once when the system starts. Set the slave device select control signal to the high level before calling this function.
Arguments	None
Return value	SIO_OK ; Successful operation
Notes	<p>The following processing, which takes into account the previous state, is performed.</p> <ul style="list-style-type: none"> The function R_SIO_Disable() is called.

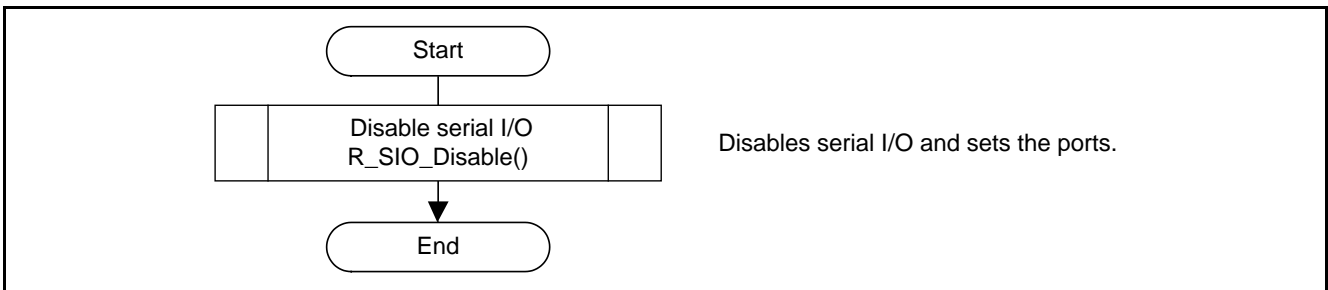


Figure 5.5 Driver Initialization Processing Outline

5.9.2 Serial I/O Disable Setup Processing

R_SIO_Disable

Outline	Disable serial I/O processing
Header	R_SIO.h, R_SIO_sci.h, mtl_com.h
Declaration	error_t R_SIO_Disable(void)
Description	<ul style="list-style-type: none"> Disables the serial I/O function and sets the pins to their port function. Disables serial I/O. Sets the pins used for serial I/O to their port function. Set the slave device select control signal to the high level before calling this function.
Arguments	None
Return value	SIO_OK ; Successful operation
Notes	<ul style="list-style-type: none"> The SCI module stop state is canceled temporarily to write to the SCI related registers. After setting the SCI related registers, the module is set back to the module stop state. If not used, this function can be called to disable the serial I/O function.

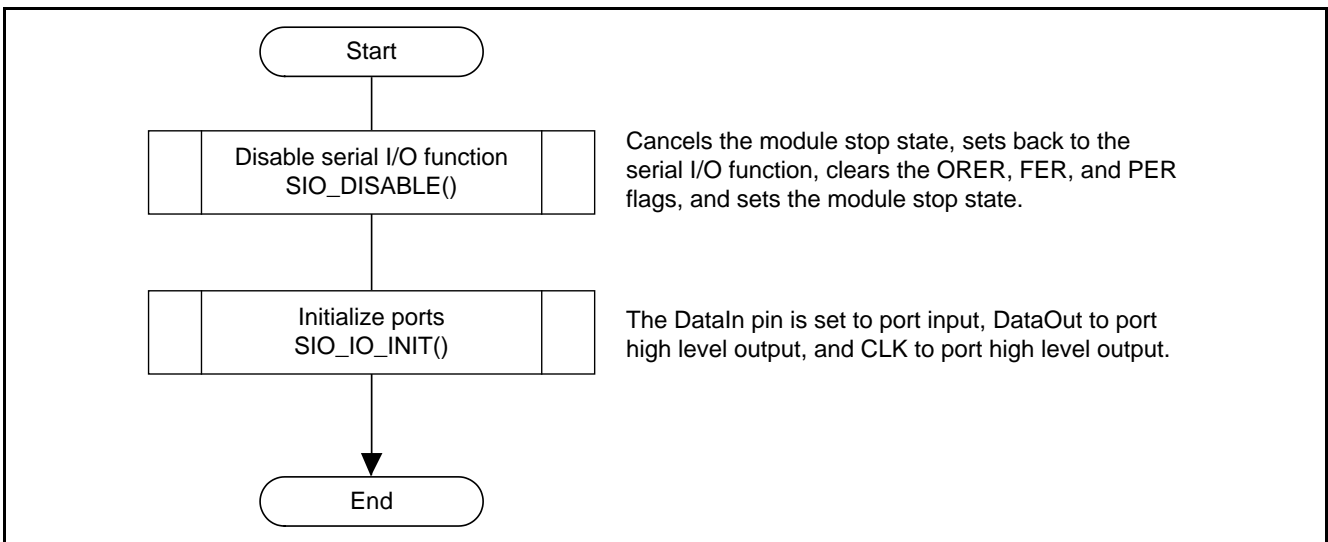


Figure 5.6 Serial I/O Disable Setup Processing Outline

5.9.3 Serial I/O Enable Setup Processing

R_SIO_Enable

Outline	Enable serial I/O processing
Header	R_SIO.h, R_SIO_sci.h, mtl_com.h
Declaration	error_t R_SIO_Enable(uint8_t BrgData)
Description	<ul style="list-style-type: none"> Enables the serial I/O function and sets the bit rate. Sets the pins used by serial I/O to their port function. Enables serial I/O and sets the bit rate. Call this function only after calling R_SIO_Disable(). This function must be called before performing either serial I/O data transmission or serial I/O data reception. Use this function to change the bit rate. But before doing that, first call the disable serial I/O function.
Arguments	uint8_t BrgData ; Bit rate setting
Return value	SIO_OK ; Successful operation
Notes	<ul style="list-style-type: none"> This function sets the serial I/O module used to the module stop canceled state. The software wait (10 μs) is the wait time required to set the bit rate.

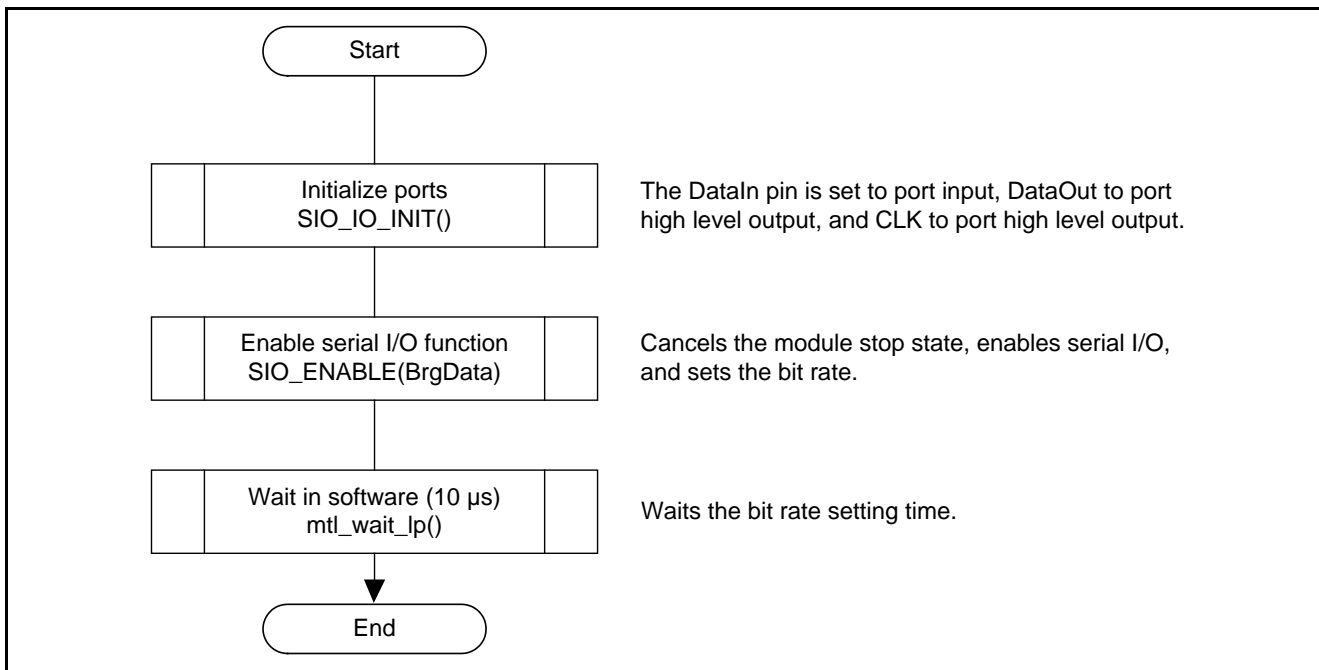


Figure 5.7 Serial I/O Enable Setup Processing Outline

5.9.4 Serial I/O Open Setup Processing

R_SIO_Open_Port

Outline	Serial I/O port (DataOut, DataIn, and CLK) open processing
Header	R_SIO.h, R_SIO_sci.h, mtl_com.h
Declaration	error_t R_SIO_Open_Port(void)
Description	<ul style="list-style-type: none"> · Sets the pins used for serial I/O to open (the input state). · Set the slave device select control signal to the high level before calling this function.
Arguments	None
Return value	SIO_OK ; Successful operation
Notes	This function is provided for inserting and removing removable media. Use this function before inserting or removing removable media. Perform the serial I/O disable setup processing before removing removable media.

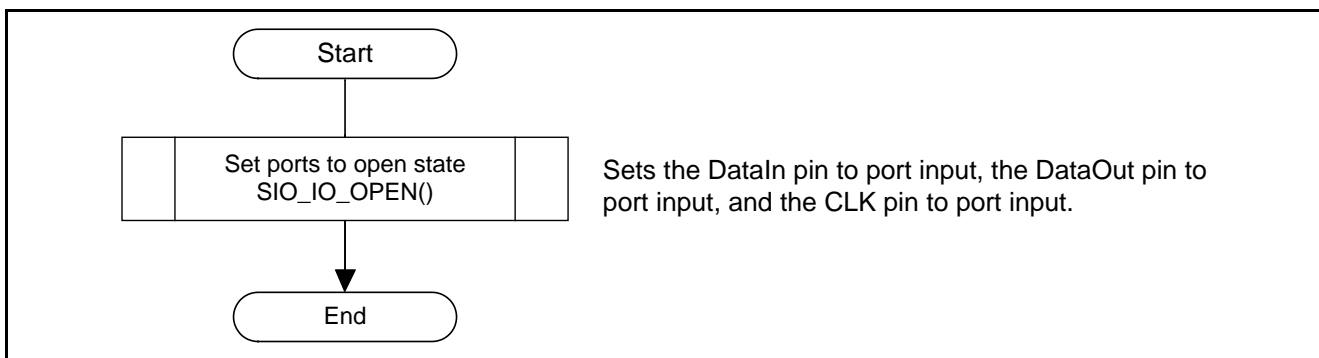


Figure 5.8 Serial I/O Open Setup Processing Outline

5.9.5 Serial I/O Data Transmission Processing

R_SIO_Tx_Data

Outline	Transmit serial I/O data								
Header	R_SIO.h, R_SIO_sci.h, mtl_com.h								
Declaration	error_t R_SIO_Tx_Data(uint16_t TxCnt, uint8_t FAR* pData)								
Description	<ul style="list-style-type: none"> · Transmits the specified number of bytes of data from pData. · The serial I/O enable setup processing must be performed prior to calling this function. · The serial I/O disable setup processing must be performed if the result of this function indicates that an error occurred. 								
Arguments	<table border="0" style="width: 100%;"> <tr> <td style="width: 150px;">uint16_t</td> <td>TxCnt</td> <td>;</td> <td>Number of bytes to transmit</td> </tr> <tr> <td>uint8_t FAR*</td> <td>pData</td> <td>;</td> <td>Pointer to transmit data buffer</td> </tr> </table>	uint16_t	TxCnt	;	Number of bytes to transmit	uint8_t FAR*	pData	;	Pointer to transmit data buffer
uint16_t	TxCnt	;	Number of bytes to transmit						
uint8_t FAR*	pData	;	Pointer to transmit data buffer						
Return value	<table border="0" style="width: 100%;"> <tr> <td style="width: 150px;">SIO_OK</td> <td>;</td> <td>Successful operation</td> </tr> <tr> <td>SIO_ERR_HARD</td> <td>;</td> <td>Hardware error</td> </tr> </table>	SIO_OK	;	Successful operation	SIO_ERR_HARD	;	Hardware error		
SIO_OK	;	Successful operation							
SIO_ERR_HARD	;	Hardware error							
Notes	<ul style="list-style-type: none"> · The following operations, which follow the initialization flowchart shown in the hardware manual, are performed. (the inline function SIO_TX_ENABLE()) <ol style="list-style-type: none"> (1) Clears the IR flag. (2) Sets the PFC (necessary only when setting channel 1, 2, 3, or 6). (3) Sets SCR (enables transmission). (4) Reads SCR. · After transmission completes, serial communication is disabled by the reverse of the enable processing shown above. (The inline function SIO_TX_DISABLE()) <ol style="list-style-type: none"> (1) Sets SCR (stops transmission and reception). (2) Reads SCR. (3) Clears the IR flag. · We recommend performing the serial I/O disable setup processing if serial I/O is not to be used sequentially. 								

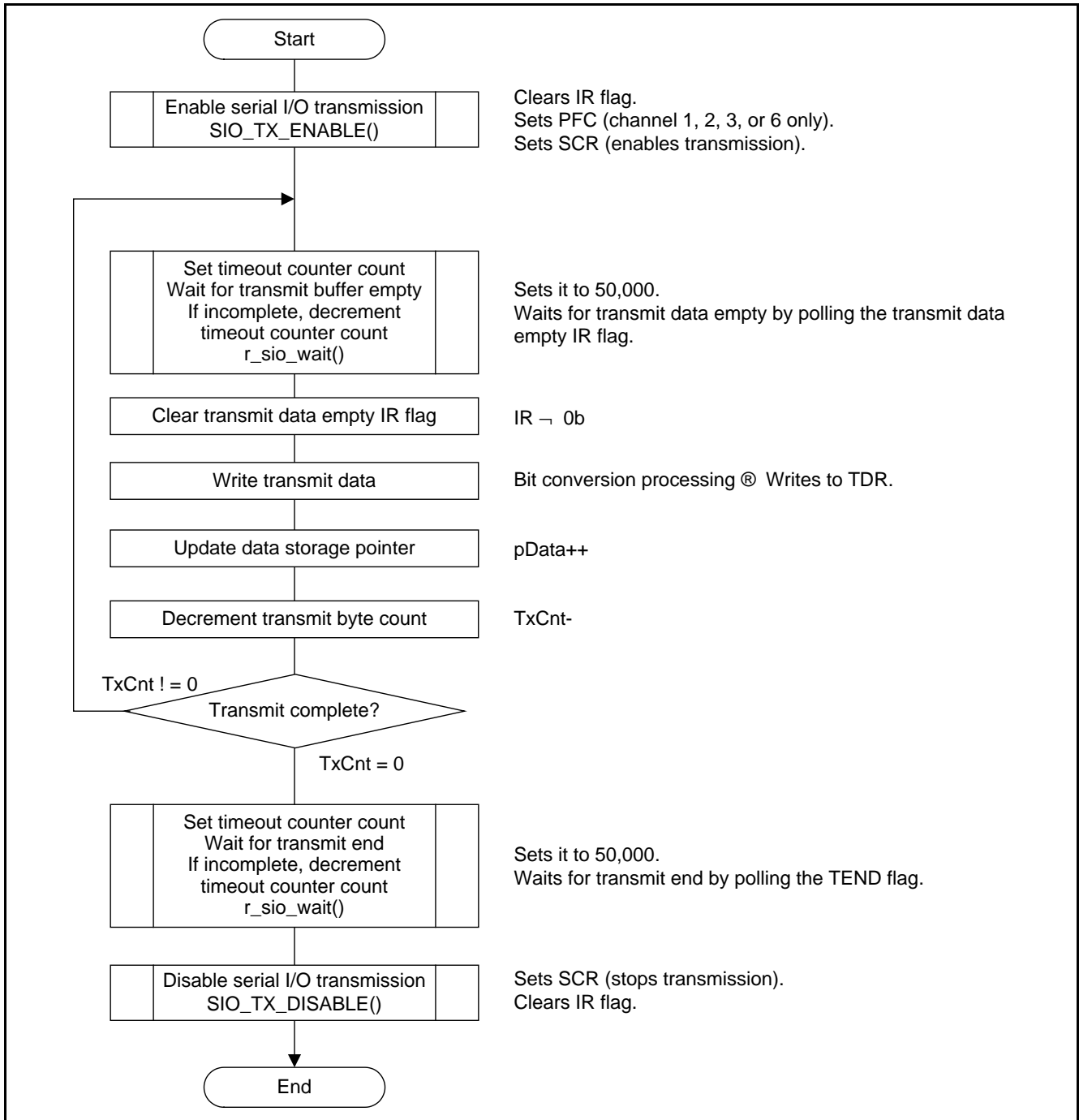


Figure 5.9 Serial I/O Data Transmission Processing Outline

5.9.6 Serial I/O Data Reception Processing

R_SIO_Rx_Data

Outline	Receive serial I/O data								
Header	R_SIO.h, R_SIO_sci.h, mtl_com.h								
Declaration	error_t R_SIO_Rx_Data(uint16_t RxCnt, uint8_t FAR* pData)								
Description	<ul style="list-style-type: none"> · Receives the specified number of bytes of data and stores it in pData. · The serial I/O enable setup processing must be performed prior to calling this function. · The serial I/O disable setup processing must be performed if the result of this function indicates that an error occurred. 								
Arguments	<table border="0" style="width: 100%;"> <tr> <td style="width: 20%;">uint16_t</td> <td style="width: 20%;">RxCnt</td> <td>;</td> <td>Reception byte count</td> </tr> <tr> <td>uint8_t FAR*</td> <td>pData</td> <td>;</td> <td>Pointer to receive data storage buffer</td> </tr> </table>	uint16_t	RxCnt	;	Reception byte count	uint8_t FAR*	pData	;	Pointer to receive data storage buffer
uint16_t	RxCnt	;	Reception byte count						
uint8_t FAR*	pData	;	Pointer to receive data storage buffer						
Return value	<table border="0" style="width: 100%;"> <tr> <td style="width: 20%;">SIO_OK</td> <td>;</td> <td>Successful operation</td> </tr> <tr> <td>SIO_ERR_HARD</td> <td>;</td> <td>Hardware error</td> </tr> </table>	SIO_OK	;	Successful operation	SIO_ERR_HARD	;	Hardware error		
SIO_OK	;	Successful operation							
SIO_ERR_HARD	;	Hardware error							
Notes	<ul style="list-style-type: none"> · The following operations, which follow the initialization flowchart shown in the hardware manual, are performed. (the inline function SIO_TRX_ENABLE()) <ol style="list-style-type: none"> (1) Clears the IR flag. (2) Sets the PFC (necessary only when setting channel 1, 2, 3, or 6). (3) Sets SCR (enables transmission/reception). (4) Reads SCR. · After reception completes, serial communication is disabled by the reverse of the enable processing shown above. (The inline function SIO_TRX_DISABLE()) <ol style="list-style-type: none"> (1) Sets SCR (stops transmission/reception). (2) Reads SCR. (3) Clears the IR flag. · We recommend performing the serial I/O disable setup processing if serial I/O is not to be used sequentially. 								

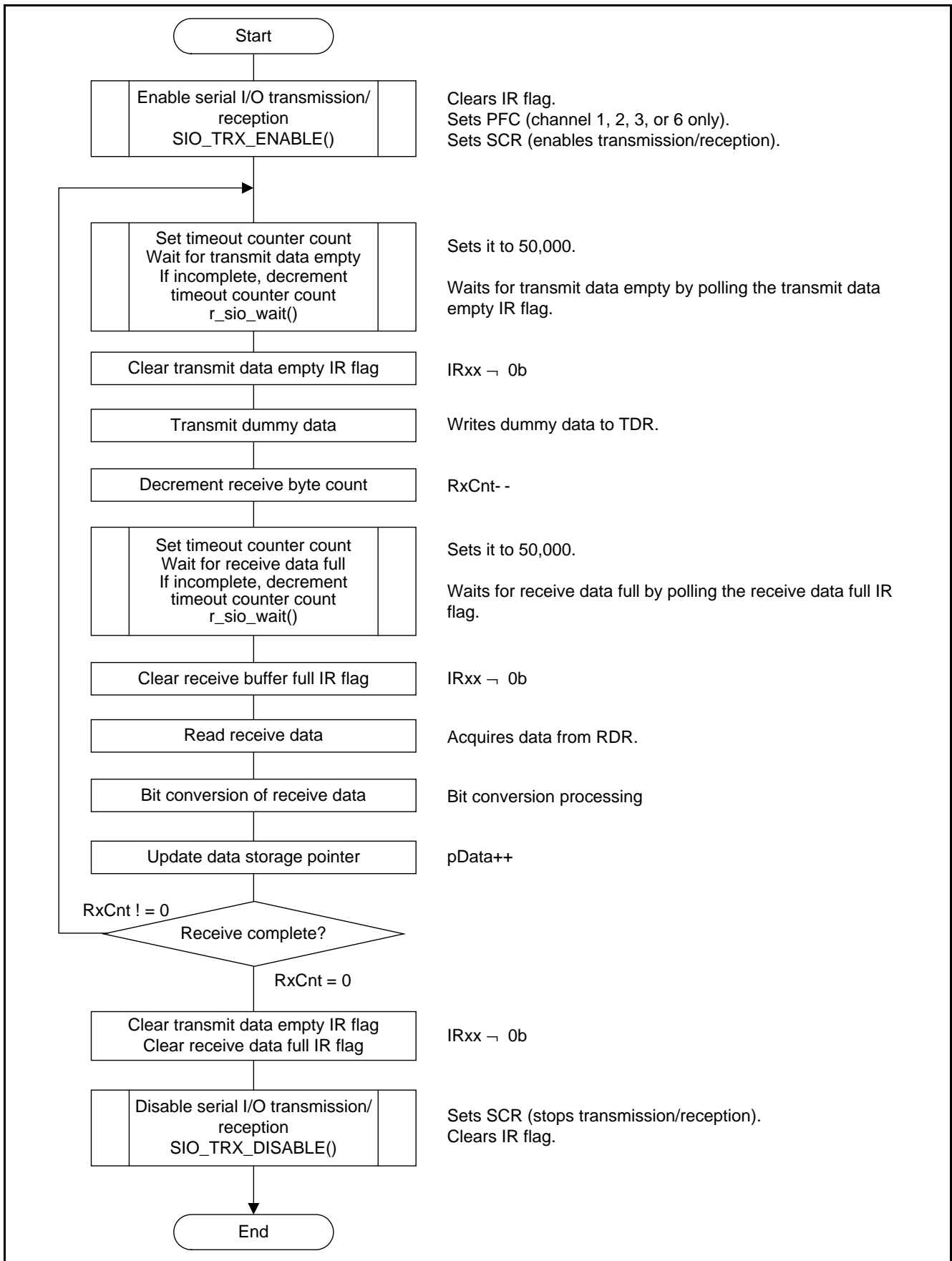


Figure 5.10 Serial I/O Data Reception Processing Outline

5.10 Inline Function Specifications

This section describes the inline functions used in this sample code.

5.10.1 SIO_IO_INIT()

(1) Purpose

This function sets input pins to the port input state and sets output pins to the port output state.

(2) Function

This function sets the DataIn pin to the port input state and sets the DataOut and CLK pins to the port output state.

The following processing is implemented. If necessary, revise this processing.

1. Sets the DataIn pin to port input.
See the SIO_DATAI_INIT() function.
2. Sets the DataOut pin to port high output.
See the SIO_DATAO_INIT() function.
3. Sets the CLK pin to port high output.
See the SIO_CLK_INIT() function.

(3) Remarks

This inline function changes the pins from their peripheral function to their port function. Applications should first verify that other peripheral functions are not being used before executing this function.

5.10.2 SIO_IO_OPEN()

(1) Purpose

Sets the input pins and output pins to the port input state.

(2) Function

Sets the DataIn pin, the DataOut pin, and the CLK pin to the port input state.

The following processing is implemented. If necessary, revise this processing.

1. Sets the DataIn pin to port input.
See the SIO_DATAI_INIT() function.
2. Sets the DataOut pin to port input.
See the SIO_DATAO_OPEN() function.
3. Sets the CLK pin to port input.
See the SIO_CLK_OPEN() function.

(3) Remarks

Use this function to set all pins to high impedance before removable media is inserted or removed. Execute this function after executing SIO_IO_INIT().

5.10.3 SIO_DATAI_INIT()

(1) Purpose

Sets the DataIn pin to the port input state.

(2) Function

The following processing is implemented. If necessary, revise this processing.

1. Enables the DataIn pin input buffer function using the input buffer control register (ICR).
 ¾ DataIn pin ICR → 1b: Input buffer enabled
2. Disables the DataIn pin input pull-up resistor with the pull-up resistor control register (PCR).*¹
 ¾ DataIn pin PCR → 0b: Input pull-up resistor disabled*²
3. Sets the DataIn pin to port input using the data direction register (DDR).
 ¾ DataIn pin DDR → 0b: Input port

(3) Remarks

- Notes:
1. The pins that can be set by the pull-up resistor control register (PCR) are port 9, ports A to E, and port G. If port A, port C, or port E is used, use SIO_PCR_DATAI for this setting.
 2. Perform this setting as required.

5.10.4 SIO_DATAO_INIT()

(1) Purpose

Sets the DataOut pin to port high output.

(2) Function

The following processing is implemented. If necessary, revise this processing.

1. Sets the DataOut pin output type to CMOS output using the open drain control register (ODR).*¹
 ¾ DataOut pin ODR → 0b: CMOS output*³
2. Disables the DataOut pin input buffer function using the input buffer control register (ICR).*²
 ¾ DataOut pin ICR → 0b: Input buffer disabled
3. Sets the DataOut pin to high output using the data register (DR).
 ¾ DataOut pin DR → 1b: High output
4. Sets the DataOut pin to port output using the data direction register (DDR) and the data register (DR).
 ¾ DataOut pin DDR → 1b: Output port
 ¾ DataOut pin DR → 1b: High output

(3) Remarks

- Notes:
1. The pins that can be set by the open drain control register (ODR) are ports 0 to 3 and port C. If ports 0 to 3 or port C is used, use SIO_ODR_DATAO and SIO_ODR_CLK for this setting.
 2. When a pin is used as an output pin, if the input buffer function is enabled with the input buffer control register (ICR), it will be possible to acquire the output data as the pin state. Therefore, it is necessary to disable the input buffer function with the ICR setting for pins used as output pins.
 3. Perform this setting as required.

5.10.5 SIO_DATAO_OPEN()

(1) Purpose

Sets the DataOut pin to the port input function.

(2) Function

The following processing is implemented. If necessary, revise this processing.

1. Sets the DataOut pin to port input.
¾ DataOut pin DDR → 0b: Input port (input buffer disabled)

(3) Remarks

None

5.10.6 SIO_CLK_INIT()

(1) Purpose

Sets the CLK pin to port high output.

(2) Function

The following processing is implemented. If necessary, revise this processing.

1. Sets the CLK pin output type to CMOS output using the open drain control register (ODR).^{*1}
¾ CLK pin ODR → 0b: CMOS output^{*3}
2. Disables the CLK pin input buffer function using the input buffer control register (ICR).^{*2}
¾ CLK pin ICR → 0b: Input buffer disabled
3. Sets the CLK pin to high output using the data register (DR).
¾ CLK pin DR → 1b: High output
4. Sets the CLK pin to port output using the data direction register (DDR) and the data register (DR).
¾ CLK pin DDR → 1b: Output port
¾ CLK pin DR → 1b: High output

(3) Remarks

- Notes:
1. The pins that can be set by the open drain control register (ODR) are ports 0 to 3 and port C. If ports 0 to 3 or port C is used, use SIO_ODR_DATAO and SIO_ODR_CLK for this setting.
 2. When a pin is used as an output pin, if the input buffer function is enabled with the input buffer control register (ICR), it will be possible to acquire the output data as the pin state. Therefore, it is necessary to disable the input buffer function with the ICR setting for pins used as output pins.
 3. Perform this setting as required.

5.10.7 SIO_CLK_OPEN()

(1) Purpose

Sets the CLK pin to the port input function.

(2) Function

The following processing is implemented. If necessary, revise this processing.

1. Sets the CLK pin to port input.
¾ CLK pin DDR → 0b: Input port (input buffer disabled)

(3) Remarks

None

5.10.8 SIO_ENABLE()

(1) Purpose

Initializes serial I/O and enables its functions. Note that this function performs the common processing through enabling transmission or transmission/reception. It also sets the bit rate.

(2) Function

Initializes serial I/O as stipulated in the hardware manual. If necessary, revise this processing.

This function performs the following processing when an RX62N microcontroller is used.

1. Sets the module to the module stop canceled state using the module stop control register (MSTPCRB).
¾ MSTPCRB MSTPBxx → 0b: Cancels module stop state and enables reading and writing of the SCI registers.
¾ Reads MSTPCRB MSTPBxx
2. Performs the common processing for enabling transmission and transmission/reception.
The common processing for enabling transmission and transmission/reception consists of the following operations.
¾ Clears bits TIE, RIE, TE, RE, and TEIE in SCR to 0.
¾ DataIn pin ICR → 1b: Input buffer enabled.
¾ DataOut pin and CLK pin ICR → 0b: Input buffer disabled.
¾ Sets bits SCR.CKE[1:0].
¾ Sets receive/transmit format in SMR and SCMR.
¾ Clears ORER, FER, and PER in SSR to 0.
 See the SIO_SSR_CLEAR() function.
¾ Sets SEMR.
¾ Sets value in BRR.

(3) Remarks

The user should insert wait processing after this inline function completes for serial I/O that requires a wait after setting the bit rate.

This function forms a pair with SIO_DISABLE(). If this function is run, call SIO_DISABLE() to terminate processing.

Call one of SIO_DISABLE(), SIO_TX_DISABLE(), or SIO_TRX_DISABLE() (to disable communication operation using SCR) to stop communication operation before calling this function.

5.10.9 SIO_DISABLE()

(1) Purpose

Disables the serial I/O functions.

(2) Function

Disables the serial I/O functions. This function performs the common processing in the procedures for disabling transmission or transmission/reception. If necessary, revise this processing.

This function performs the following processing when an RX62N microcontroller is used.

1. Sets the module to the module stop canceled state using the module stop control register (MSTPCRB) so that the SCI related registers can be set.*¹
 - ¾ MSTPCRB MSTPB_{xx} → 0b: Cancels module stop state and enables reading and writing of the SCI registers.
 - ¾ Reads MSTPCRB MSTPB_{xx}
2. Clears bits TIE, RIE, TE, RE, and TEIE in SCR to 0.
3. Sets SMR to its initial value of 00h.
4. Clears ORER, FER, and PER in SSR to 0.
See the SIO_SSR_CLEAR() function.
5. Sets the module to the module stop state using the module stop control register (MSTPCRB).
 - ¾ MSTPCRB MSTPB_{xx} → 1b: Sets module stop state and disables reading or writing the SCI registers. (The SCI register states are retained.)
 - ¾ Reads MSTPCRB MSTPB_{xx}.

(3) Remarks

This function forms a pair with SIO_ENABLE(). If SIO_ENABLE() is run, call this function to terminate processing.

To make settings to SCI related registers, set SCR to the initial value 00h to stop transmission and transmission/reception.

Note: 1. With the RX62N, registers for a module in the module stop state cannot be read or written. In this inline function, the module stop state is canceled temporarily to use SCR to disable the SCI functions. After setting SCR, this function sets module stop state. Note that register values are retained while a module is in the module stop state.

5.10.10 SIO_TX_ENABLE()

(1) Purpose

Enables serial I/O transmission.

(2) Function

Enables serial I/O according to the specifications in the hardware manual. After switching the pins from their port functions to their serial I/O functions, it enables serial I/O transmission. If necessary, revise this processing.

This function performs the processing from the initialization procedure following SIO_ENABLE() to the dedicated initialization processing for transmission.

The following processing is performed when an RX62N microcontroller is used.

1. Clears the IR flags.
See the SIO_IR_CLEAR() function.
2. Sets the used pins to their SCI function. (necessary only when setting channel 1, 2, 3, or 6)
3. Enables transmission.
Sets TE and TIE in SCR to 1b to enable transmission.
4. Reads SCR.

(3) Remarks

This function forms a pair with SIO_TX_DISABLE(). If this function is run, call SIO_TX_DISABLE() to terminate processing.

5.10.11 SIO_TX_DISABLE()

(1) Purpose

Stops the serial I/O data transmission function.

(2) Function

This function stops the transmission function with the reverse procedure from that used by SIO_TX_ENABLE(). After performing the settings to stop transmission, it switches the pins from their serial I/O functions to their port functions. If necessary, revise this processing.

This function performs the following processing when an RX62N microcontroller is used.

1. Makes transmission and reception stop settings.
Sets TE, RE, TIE, RIE, and TEIE in SCR to 0b to stop transmission and reception.
2. Reads SCR.
3. Clears the IR flags.
See the SIO_IR_CLEAR() function.

(3) Remarks

This function forms a pair with SIO_TX_ENABLE(). After SIO_TX_ENABLE() is run, call this function to terminate processing.

5.10.12 SIO_TRX_ENABLE()

(1) Purpose

Enables serial I/O transmission/reception.

(2) Function

Enables serial I/O according to the specifications in the hardware manual. After switching the pins from their port functions to their serial I/O functions, it enables serial I/O transmission/reception. If necessary, revise this processing.

This function performs the processing from the initialization procedure following SIO_ENABLE() to the dedicated initialization processing for transmission/reception.

The following processing is performed when an RX62N microcontroller is used.

1. Clears the IR flags.
See the SIO_IR_CLEAR() function.
2. Sets the used pins to their SCI function. (necessary only when setting channel 1, 2, 3, or 6)
3. Enables transmission/reception.
Sets TE, RE, TIE, and RIE in SCR to 1b to enable transmission/reception.
4. Reads SCR.

(3) Remarks

This function forms a pair with SIO_TRX_DISABLE(). If this function is run, call SIO_TRX_DISABLE() to terminate processing.

5.10.13 SIO_TRX_DISABLE()

(1) Purpose

Stops the serial I/O data transmission/reception function.

(2) Function

This function stops the transmission/reception function with the reverse procedure from that used by SIO_TRX_ENABLE(). After performing the settings to stop transmission/reception, it switches the pins from their serial I/O functions to their port functions. If necessary, revise this processing.

This function performs the following processing when an RX62N microcontroller is used.

1. Makes transmit/receive stop settings.
Sets TE, RE, TIE, RIE, and TEIE in SCR to 0b to stop transmission and reception.
2. Reads SCR.
3. Clears the IR flags.
See the SIO_IR_CLEAR() function.

(3) Remarks

This function forms a pair with SIO_TRX_ENABLE(). After SIO_TRX_ENABLE() is run, call this function to terminate processing.

5.10.14 SIO_SSR_CLEAR()

(1) Purpose

Clears the SSR error flags.

(2) Function

Clears the ORER, FER, and PER flags.

The following processing is performed when an RX62N microcontroller is used.

1. If a flag is 1, it is cleared to 0.
2. The flag is then read to verify that it is 0.

(3) Remarks

None

5.10.15 SIO_IR_CLEAR()

(1) Purpose

Clears the IR flag.

(2) Function

Clears the flag using the following procedure. If necessary, revise this processing.

This function performs the following processing when an RX62N microcontroller is used.

1. Clears the IR flag.

(3) Remarks

None

6. Sample Application

This section presents a sample application that sets up the serial I/O control block.

The sample settings for actual usage are shown below.

The places in each file that need to be set are marked with the comment "/* SET */".

6.1 mtl_com.h (Common header file)

Common header file for common functions.

Files (except for mtl_com.h.common) with the filename mtl_com.h.XXX have been created for each microcontroller. Rename one of these to mtl_com.h and use that file. If there is no corresponding file for the microcontroller used, refer to these files and create a file appropriate for the microcontroller used.

(1) OS Header File Definitions

This sample code does not use any settings for OS system calls.

The example below is for the case where no OS is used.

Set these up to be unused settings with this sample code. They depend on other software.

```
/* To use system calls, */
/* include the OS header files with the prototype declaration. */
/* If no OS is used, comment out the following define and includes. */
#define MTL_OS_USE /* Use OS */
#include <RTOS.h> /* OS header file */
#include "mtl_os.h"
```

(2) Header File Definitions that Define the Common Access areas

A header file in which the MCU function registers are defined is included.

This file is mainly used by device drivers for port control and must be included.

Include the header file that matches the microcontroller used.

In the example below, the header file for the RX62N is included.

This header file must be included when this sample code is used.

```
/* To use the SFR area define values for the microcontroller, */
/* include the header file the has the I/O peripheral definitions. */
#include "iodefine.h" /* definition of MCU SFR */
```


(3) Loop Timer Definitions

Include the following header file if the software loop timer is used.

This file is mainly used for device drivers to provide wait times.

Comment out the following include statement if the software loop timer is not used.

The example shown below is for the case where the software loop timer is used.

This header file must be included when this sample code is used.

```
/* Comment out the following include statement if the software loop timer is not used. */
#include "mtl_tim.h"
```

(4) Endian Order Definition

Either little endian or big endian may be specified.

The example below shows how big endian is specified.

```
/* Specify little endian for (1) SuperH or (2) M16C microcontrollers by enabling this definition. */
/* For other microcontrollers, comment out the little endian definition. */
//#define MTL_MCU_LITTLE /* Little Endian */
```

(5) Definition for Fast Endian Processing

High-speed processing can be specified for mtl_end.c. If an M16C microcontroller is used, this will speed up processing.

For RX family microcontrollers, comment out this definition so that the symbol is not defined.

```
/* Enable this definition if an M16C microcontroller is used. */
/* High-speed processing can be specified for mtl_end.c. */
//#define MTL_ENDI_HISPEED /* Uses the high-speed function. */
```

(6) Standard Library Type Definition

The type of standard library used must be defined.

If the library included with the compiler will be used for the processing shown below, comment out the following definition.

The example shown below is for the case where the library included with the compiler is used.

```
/* Specify the type of standard library used. */
/* If the library included with the compiler will be used for the processing shown below, */
/* comment out the following definition. */
/* memcmp() / memmove() / memcpy() / memset() / strcat() / strcmp() / strcpy() / strlen() */
//#define MTL_USER_LIB /* use optimized library */
```

(7) Definition of the RAM Area to be Accessed

The RAM area used must be defined.

Highly efficient processing can be applied to standard functions and certain other operations.

For the RX62N, MTL_MEM_NEAR should be defined.

```
/* The processing group used and the RAM area used must be defined. */
/* Highly efficient processing can be applied to standard functions and certain other operations. */
//#define MTL_MEM_FAR /* Supports Far RAM area of M16C/60 */
#define MTL_MEM_NEAR /* Supports Near RAM area. (Others) */
```

6.1.2 mtl_tim.h

This file is included if the loop timer is defined in mtl_com.h.

This file depends on the microcontroller used, the clock, the compiler options, and other items.

In systems in which the instruction cache is enabled, the loop timer should be set up assuming that it is running from the instruction cache.

Measure the loop timer performance and set it up according to the operating environment used.

```
/* The timer counter value must be defined. */
/* Set up the timer according to the microcontroller and clock used. */
#if 1
/* Setting for 12 MHz no wait Ix8 = 96 MHz(Compile Option "-optimize=2",com.V406R00) */
#define MTL_T_1US 10 /* loop Number of 1us */
#define MTL_T_2US 20 /* loop Number of 2us */
#define MTL_T_4US 40 /* loop Number of 4us */
#define MTL_T_5US 50 /* loop Number of 5us */
#define MTL_T_10US 100 /* loop Number of 10us */
#define MTL_T_20US 200 /* loop Number of 20us */
#define MTL_T_30US 300 /* loop Number of 30us */
#define MTL_T_50US 500 /* loop Number of 50us */
#define MTL_T_100US 1000 /* loop Number of 100us */
#define MTL_T_200US 2000 /* loop Number of 200us */
#define MTL_T_300US 3000 /* loop Number of 300us */
#define MTL_T_400US ( MTL_T_200US * 2 ) /* loop Number of 400us */
#define MTL_T_1MS 10000 /* loop Number of 1ms */
#endif
```

Note that the values above have not been measured and thus appropriate values have not been determined. Through testing should be performed to determine these values.

6.2 Settings for the Clock Synchronous Single Master Control Software

The places in each file that need to be set are marked with the comment "/* SET */".

6.2.1 R_SIO.h

(1) Definition of the Wait Following the BRR Setting

After the SCI BBR register is set, the application waits in software for the period to transfer 1 bit. This wait time must be set.

A time of 10 μs is set as an initial value.

When a MultiMediaCard is used, a value of 10 μs should be set assuming a communications rate of 100 kHz.

```
#define SIO_T_BRR_WAIT          (uint16_t)MTL_T_10US /* BRR setting wait time */
```

6.2.2 R_SIO_sci.h

This is the definitions file for the SCI module.

Files with the filename R_SIO_sci.h.XXX have been created for each microcontroller. Rename one of these to R_SIO_sci.h and use that file. If there is no corresponding file for the microcontroller used, refer to these files and create a file appropriate for the microcontroller used.

(1) Operating Mode Definitions

The resources for the microcontroller used can be set up. Select the one required definition. In the example below, SIO_OPTION_1 has been selected. Table 6.1 lists operating modes and their functions.

```
/*----- */
/* Define the combination of the MCU's resources. */
/*----- */
#define SIO_OPTION_1          /* */ /* SI/O */
//#define SIO_OPTION_2        /* */ /* SI/O + CRC */
//#define SIO_OPTION_3        /* */ /* SI/O + S/W CRC */
```

Table 6.1 Operating Modes

#define Definition	Operating Mode		
	S/I/O (SCI)	CRC Calculation (on-chip functional unit of microcontroller)	CRC Calculation (using software)
SIO_OPTION_1	○	$\frac{3}{4}$	$\frac{3}{4}$
SIO_OPTION_2	○	○	$\frac{3}{4}$
SIO_OPTION_3	○	$\frac{3}{4}$	○

When one of SIO_OPTION_1 to SIO_OPTION_3 is selected, the next data receive operation is performed only after full data reception has been confirmed and the data output. Therefore, overrun errors do not occur and reliable reception is possible. This mode is designed to avoid software processing during data reception as much as possible. For example, the endian conversion processing for data during continuous reception is performed only after the dummy write of the following data.

If the microcontroller's internal CRC unit is used to perform MSB-first CRC CCITT calculations, select SIO_OPTION_2.

If software processing is used to perform MSB-first CRC CCITT calculations, select SIO_OPTION_3.

(2) CRC Calculation Type Definition

The CRC calculation type must be specified.

If either serial EEPROM or serial flash memory is controlled, comment these settings so that no CRC CCITT calculation is used.

Both of these must be defined if a MultiMediaCard is used.

```

/*----- */
/* Define the CRC calculation. */
/*----- */
#define SIO_CRCCCITT_USED          /* CRC-CCITT used */
#define SIO_CRC7_USED             /* CRC7 used */

```

(3) Used SCI Channel Definition

The SCI channel used must be defined.

```

/*----- */
/* Define the SCI channel. */
/*----- */
#define SIO_SCI_CHANNEL    2          /* SCI Channel Select */

```

(4) Used Pin Definitions

The definitions of the serial pins used are shown below. Specify the pin numbers for the used pins by referring to table 6.2, Used Pin Definitions.

```

/*----- */
/* Define the control port. */
/*----- */
/* Set to use port numbers and bit numbers */
#define SIO_DATAI_PORTNO    1          /* SIO DataIn Port No. */
#define SIO_DATAI_BITNO    2          /* SIO DataIn Bit No. */
#define SIO_CLK_PORTNO     1          /* SIO CLK Port No. */
#define SIO_CLK_BITNO      1          /* SIO CLK Bit No. */
#define SIO_DATAO_PORTNO    1          /* SIO DataOut Port No. */
#define SIO_DATAO_BITNO    3          /* SIO DataOut Bit No. */

```

Table 6.2 Used Pin Definitions

#define Definition	Set Value
SIO_DATAI_PORTNO	DataIn pin port number
SIO_DATAI_BITNO	DataIn pin bit number
SIO_CLK_PORTNO	CLK pin port number
SIO_CLK_BITNO	CLK pin bit number
SIO_DATAO_PORTNO	DataOut pin port number
SIO_DATAO_BITNO	DataOut pin bit number

(5) SCIxS Bit Definition for the Used Port Function Register (PFxSCI)

This definition sets the port function register SCIxS bit (SCI pin selection bit) to match the serial pins used.

```
/*----- */
/* Define the control SCIxS Bit (SCI Pin Select) of Port Function Control Register */
/*----- */
#define SIO_SCI_SELECT (uint8_t)(0) /* SCI pin select set.(Set '0'or'1') */
```

PFxSCI can be defined in the SIO_SIO_TX_ENABLE() and SIO_TRX_ENABLE() inline functions. If used, remove the commenting that hides this code and enter the definitions. Note that PFxSCI setting is possible for SCI channels 1 to 3 and 6.

```
#pragma inline(SIO_TX_ENABLE)
static void SIO_TX_ENABLE(void) /* SIO Transmission Enable Setting */
{
    volatile uint8_t ucTmp;

    SIO_IR_CLEAR(); /* SCI IR Clear */
/* If SCI channel "1,2,3,6" is used, define the following PFC. */
    SIO_PFC_SCI = SIO_SCI_SELECT; /* Selects SCIn Pin. */

#pragma inline(SIO_TRX_ENABLE)
static void SIO_TRX_ENABLE(void)/*SIO Transmission&Reception Enable Setting */
{
    volatile uint8_t ucTmp;

    SIO_IR_CLEAR(); /* SCI IR Clear */
/* If SCI channel "1,2,3,6" is used, define the following PFC. */
    SIO_PFC_SCI = SIO_SCI_SELECT; /* Selects SCIn Pin. */
```

(6) Software Timer Definition

Set up the software timer that is used only by this sample code.

Set a value of 0.1 μ s or larger as the initial value.

```
/*----- */
/* Define the wait time for timeout. */
/* Time out is occurred after 50000 times loop process of wait time. */
/*----- */
#define SIO_T_SCI_WAIT (uint16_t)(1) /* 0.1us wait When CPU clock = 96MHz */
```

(7) Pull-up Resistor Control Register (PCR) Definitions

The PCR can be defined in the SIO_DATAI_INIT() inline function. If used, remove the commenting that hides this code. Note that only the port 9, ports A to E, and port G pins allow this PCR setting.

```
/*----- DataIn control -----*/
#pragma inline(SIO_DATAI_INIT)
static void SIO_DATAI_INIT(void)          /* DataIn Initial Setting    */
{
    SIO_ICR_DATAI    = 1;                  /* DataIn Input Buffer : Enable */
    /* SIO_PCR_DATAI = 0; */              /* DataIn Input Pull-up: off   */
    SIO_DDR_DATAI    = SIO_IN;            /* DataIn      Input          */
}
```

(8) Open-drain Control Register (ODR) Definitions

The ODR can be defined in the SIO_DATAO_INIT() and SIO_DATAO_CLK() inline functions. If used, remove the commenting that hides this code. Note that only the port 0 to port 3 and port C pins allow this setting.

```
/*----- DataOut control -----*/
#pragma inline(SIO_DATAO_INIT)
static void SIO_DATAO_INIT(void)          /* DataOut Initial Setting    */
{
    /* SIO_ODR_DATAO = 0; */              /* Open Drain Control: CMOS   */

/*----- CLK control -----*/
#pragma inline(SIO_CLK_INIT)
static void SIO_CLK_INIT(void)           /* CLK Initial Setting        */
{
    /* SIO_ODR_CLK   = 0; */              /* Open Drain Control: CMOS   */
}
```

7. Usage Notes

7.1 Notes on Embedding

When embedding this sample code in an application, include the files R_SIO.h and R_SIO_sci.h (the renamed R_SIO_sci.h.XXX).

7.2 Unused Functions

We recommend commenting out unused functions so that they do not consume ROM capacity unnecessarily.

7.3 Using a Different Microcontroller

Other microcontrollers can be handled easily.

Only the following two files need to be provided.

- A common I/O module definitions file corresponding to R_SIO_sci.h.XXX
- A header definitions file corresponding to mtl_com.h.XXX.

Create these files based on the provided samples.

7.4 CRC Calculator Unit Stop Setting (option)

While functions that use the CRC Calculator unit cancel the module stop state in initialization, there is no function that sets this module stop state. If it is necessary to set up the module stop state, the user must implement code that performs this control.

7.5 Input Buffer Control Register (PORTn.ICR) Setting

Since this sample code does not set any peripheral modules other than SCI, this sample code must be used with the input functions disabled in other peripheral modules to which the pins are also allocated.

If the PORTn.ICR setting is changed in a state where these input functions are not disabled, edges in these pin states may be generated internally causing unexpected operations to occur.

7.6 Compiler Options

Operation has been verified with optimization level set to 2 and optimization method set to "prioritize size".

Operation has not been verified with optimization level set to 2 and optimization method set to "prioritize speed".

Website and Support

Renesas Electronics website

<http://www.renesas.com>

Inquiries

<http://www.renesas.com/contact/>

REVISION HISTORY	RX62N Group Application Note Clock Synchronous Single Master Control Software Using the SCI
-------------------------	--

Rev.	Date	Description	
		Page	Summary
1.01	Dec. 28, 2012	—	First edition issued

All trademarks and registered trademarks are the property of their respective owners.

General Precautions in the Handling of MPU/MCU Products

The following usage notes are applicable to all MPU/MCU products from Renesas. For detailed usage notes on the products covered by this document, refer to the relevant sections of the document as well as any technical updates that have been issued for the products.

1. Handling of Unused Pins

Handle unused pins in accord with the directions given under Handling of Unused Pins in the manual.

- The input pins of CMOS products are generally in the high-impedance state. In operation with an unused pin in the open-circuit state, extra electromagnetic noise is induced in the vicinity of LSI, an associated shoot-through current flows internally, and malfunctions occur due to the false recognition of the pin state as an input signal become possible. Unused pins should be handled as described under Handling of Unused Pins in the manual.

2. Processing at Power-on

The state of the product is undefined at the moment when power is supplied.

- The states of internal circuits in the LSI are indeterminate and the states of register settings and pins are undefined at the moment when power is supplied.

In a finished product where the reset signal is applied to the external reset pin, the states of pins are not guaranteed from the moment when power is supplied until the reset process is completed. In a similar way, the states of pins in a product that is reset by an on-chip power-on reset function are not guaranteed from the moment when power is supplied until the power reaches the level at which resetting has been specified.

3. Prohibition of Access to Reserved Addresses

Access to reserved addresses is prohibited.

- The reserved addresses are provided for the possible future expansion of functions. Do not access these addresses; the correct operation of LSI is not guaranteed if they are accessed.

4. Clock Signals

After applying a reset, only release the reset line after the operating clock signal has become stable. When switching the clock signal during program execution, wait until the target clock signal has stabilized.

- When the clock signal is generated with an external resonator (or from an external oscillator) during a reset, ensure that the reset line is only released after full stabilization of the clock signal. Moreover, when switching to a clock signal produced with an external resonator (or by an external oscillator) while program execution is in progress, wait until the target clock signal is stable.

5. Differences between Products

Before changing from one product to another, i.e. to a product with a different part number, confirm that the change will not lead to problems.

- The characteristics of an MPU or MCU in the same group but having a different part number may differ in terms of the internal memory capacity, layout pattern, and other factors, which can affect the ranges of electrical characteristics, such as characteristic values, operating margins, immunity to noise, and amount of radiated noise. When changing to a product with a different part number, implement a system-evaluation test for the given product.

Notice

1. Descriptions of circuits, software and other related information in this document are provided only to illustrate the operation of semiconductor products and application examples. You are fully responsible for the incorporation of these circuits, software, and information in the design of your equipment. Renesas Electronics assumes no responsibility for any losses incurred by you or third parties arising from the use of these circuits, software, or information.
 2. Renesas Electronics has used reasonable care in preparing the information included in this document, but Renesas Electronics does not warrant that such information is error free. Renesas Electronics assumes no liability whatsoever for any damages incurred by you resulting from errors in or omissions from the information included herein.
 3. Renesas Electronics does not assume any liability for infringement of patents, copyrights, or other intellectual property rights of third parties by or arising from the use of Renesas Electronics products or technical information described in this document. No license, express, implied or otherwise, is granted hereby under any patents, copyrights or other intellectual property rights of Renesas Electronics or others.
 4. You should not alter, modify, copy, or otherwise misappropriate any Renesas Electronics product, whether in whole or in part. Renesas Electronics assumes no responsibility for any losses incurred by you or third parties arising from such alteration, modification, copy or otherwise misappropriation of Renesas Electronics product.
 5. Renesas Electronics products are classified according to the following two quality grades: "Standard" and "High Quality". The recommended applications for each Renesas Electronics product depends on the product's quality grade, as indicated below.
"Standard": Computers; office equipment; communications equipment; test and measurement equipment; audio and visual equipment; home electronic appliances; machine tools; personal electronic equipment; and industrial robots etc.
"High Quality": Transportation equipment (automobiles, trains, ships, etc.); traffic control systems; anti-disaster systems; anti-crime systems; and safety equipment etc.
Renesas Electronics products are neither intended nor authorized for use in products or systems that may pose a direct threat to human life or bodily injury (artificial life support devices or systems, surgical implantations etc.), or may cause serious property damages (nuclear reactor control systems, military equipment etc.). You must check the quality grade of each Renesas Electronics product before using it in a particular application. You may not use any Renesas Electronics product for any application for which it is not intended. Renesas Electronics shall not be in any way liable for any damages or losses incurred by you or third parties arising from the use of any Renesas Electronics product for which the product is not intended by Renesas Electronics.
 6. You should use the Renesas Electronics products described in this document within the range specified by Renesas Electronics, especially with respect to the maximum rating, operating supply voltage range, movement power voltage range, heat radiation characteristics, installation and other product characteristics. Renesas Electronics shall have no liability for malfunctions or damages arising out of the use of Renesas Electronics products beyond such specified ranges.
 7. Although Renesas Electronics endeavors to improve the quality and reliability of its products, semiconductor products have specific characteristics such as the occurrence of failure at a certain rate and malfunctions under certain use conditions. Further, Renesas Electronics products are not subject to radiation resistance design. Please be sure to implement safety measures to guard them against the possibility of physical injury, and injury or damage caused by fire in the event of the failure of a Renesas Electronics product, such as safety design for hardware and software including but not limited to redundancy, fire control and malfunction prevention, appropriate treatment for aging degradation or any other appropriate measures. Because the evaluation of microcomputer software alone is very difficult, please evaluate the safety of the final products or systems manufactured by you.
 8. Please contact a Renesas Electronics sales office for details as to environmental matters such as the environmental compatibility of each Renesas Electronics product. Please use Renesas Electronics products in compliance with all applicable laws and regulations that regulate the inclusion or use of controlled substances, including without limitation, the EU RoHS Directive. Renesas Electronics assumes no liability for damages or losses occurring as a result of your noncompliance with applicable laws and regulations.
 9. Renesas Electronics products and technology may not be used for or incorporated into any products or systems whose manufacture, use, or sale is prohibited under any applicable domestic or foreign laws or regulations. You should not use Renesas Electronics products or technology described in this document for any purpose relating to military applications or use by the military, including but not limited to the development of weapons of mass destruction. When exporting the Renesas Electronics products or technology described in this document, you should comply with the applicable export control laws and regulations and follow the procedures required by such laws and regulations.
 10. It is the responsibility of the buyer or distributor of Renesas Electronics products, who distributes, disposes of, or otherwise places the product with a third party, to notify such third party in advance of the contents and conditions set forth in this document, Renesas Electronics assumes no responsibility for any losses incurred by you or third parties as a result of unauthorized use of Renesas Electronics products.
 11. This document may not be reproduced or duplicated in any form, in whole or in part, without prior written consent of Renesas Electronics.
 12. Please contact a Renesas Electronics sales office if you have any questions regarding the information contained in this document or Renesas Electronics products, or if you have any other inquiries.
- (Note 1) "Renesas Electronics" as used in this document means Renesas Electronics Corporation and also includes its majority-owned subsidiaries.
(Note 2) "Renesas Electronics product(s)" means any product developed or manufactured by or for Renesas Electronics.



SALES OFFICES

Renesas Electronics Corporation

<http://www.renesas.com>

Refer to "<http://www.renesas.com/>" for the latest and detailed information.

Renesas Electronics America Inc.
2880 Scott Boulevard Santa Clara, CA 95050-2554, U.S.A.
Tel: +1-408-588-6000, Fax: +1-408-588-6130

Renesas Electronics Canada Limited
1101 Nicholson Road, Newmarket, Ontario L3Y 9C3, Canada
Tel: +1-905-898-5441, Fax: +1-905-898-3220

Renesas Electronics Europe Limited
Dukes Meadow, Millboard Road, Bourne End, Buckinghamshire, SL8 5FH, U.K.
Tel: +44-1628-651-700, Fax: +44-1628-651-804

Renesas Electronics Europe GmbH
Arcadiastrasse 10, 40472 Düsseldorf, Germany
Tel: +49-211-65030, Fax: +49-211-6503-1327

Renesas Electronics (China) Co., Ltd.
7th Floor, Quantum Plaza, No.27 ZhiChunLu Haidian District, Beijing 100083, P.R.China
Tel: +86-10-8235-1155, Fax: +86-10-8235-7679

Renesas Electronics (Shanghai) Co., Ltd.
Unit 204, 205, AZIA Center, No.1233 Lujiazui Ring Rd., Pudong District, Shanghai 200120, China
Tel: +86-21-5877-1818, Fax: +86-21-6887-7858 / -7898

Renesas Electronics Hong Kong Limited
Unit 1601-1613, 16/F., Tower 2, Grand Century Place, 193 Prince Edward Road West, Mongkok, Kowloon, Hong Kong
Tel: +852-2886-9318, Fax: +852 2886-9022/9044

Renesas Electronics Taiwan Co., Ltd.
13F, No. 363, Fu Shing North Road, Taipei, Taiwan
Tel: +886-2-8175-9600, Fax: +886 2-8175-9670

Renesas Electronics Singapore Pte. Ltd.
80 Bendemeer Road, Unit #06-02 Hyflux Innovation Centre Singapore 339949
Tel: +65-6213-0200, Fax: +65-6213-0300

Renesas Electronics Malaysia Sdn.Bhd.
Unit 906, Block B, Menara Amcorp, Amcorp Trade Centre, No. 18, Jln Persiaran Barat, 46050 Petaling Jaya, Selangor Darul Ehsan, Malaysia
Tel: +60-3-7955-3390, Fax: +60-3-7955-9510

Renesas Electronics Korea Co., Ltd.
11F., Samik Laved. or Bldg., 720-2 Yeoksam-Dong, Kangnam-Ku, Seoul 135-080, Korea
Tel: +82-2-558-3737, Fax: +82-2-558-5141