

# Application Note

## Frequency Multiplier

### AN-CM-329

#### **Abstract**

*This application note describes how to design a frequency multiplier circuit using only a single GreenPAK IC. It includes design files which can be found in the References section.*

---

---



---

## Frequency Multiplier

### Contents

Abstract .....	1
Contents .....	2
Figures.....	2
1 Terms and Definitions.....	3
2 References .....	3
3 Introduction.....	4
4 Frequency Multiplier .....	4
5 Frequency Multiplier .....	5
6 Selector .....	6
7 Multiplier Settings .....	6
8 FLAG.....	7
9 OUT .....	7
10 Example.....	7
11 Experimental Waveforms .....	8
Conclusion .....	11
Revision History .....	12

### Figures

Figure 1: GreenPAK Design Flag Circuit.....	4
Figure 2: GreenPAK Design Out Circuit (continued).....	5
Figure 3: Frequency Multiplier.....	5
Figure 4: Selector .....	6
Figure 5: Multiplier Settings .....	6
Figure 6: FLAG .....	7
Figure 7: OUT .....	7
Figure 8: Waveform when input frequency is 1kHz.....	8
Figure 9: Waveform when input frequency is 2kHz.....	9
Figure 10: Waveform when input frequency is 0.5kHz.....	9
Figure 11: Waveform when input frequency is 6kHz.....	10
Figure 12: Waveform when input frequency is 150 Hz .....	10

## Frequency Multiplier

### 1 Terms and Definitions

CD	Counter Data
CNT	Counter
DCMP	Digital Comparator
FSM	Finite State Machine

#### Pin Configuration

Pin #	Pin Name	Type	Pin Description	Internal Resistor
1	VDD	PWR	Supply Voltage	--
2	NC	--	Keep Floating or Connect to GND	--
3	NC	--	Keep Floating or Connect to GND	--
4	FLAG	Digital Output	Push Pull 1X	floating
5	NC	--	Keep Floating or Connect to GND	--
6	NC	--	Keep Floating or Connect to GND	--
7	NC	--	Keep Floating or Connect to GND	--
8	NC	--	Keep Floating or Connect to GND	--
9	NC	--	Keep Floating or Connect to GND	--
10	NC	--	Keep Floating or Connect to GND	--
11	GND	GND	Ground	--
12	IN	Digital Input	Digital Input without Schmitt trigger	1M $\Omega$ pulldown
13	NC	--	Keep Floating or Connect to GND	--
14	NC	--	Keep Floating or Connect to GND	--
15	NC	--	Keep Floating or Connect to GND	--
16	OUT	Digital Output	Push Pull 1X	floating
17	NC	--	Keep Floating or Connect to GND	--
18	NC	--	Keep Floating or Connect to GND	--
19	NC	--	Keep Floating or Connect to GND	--
20	NC	--	Keep Floating or Connect to GND	--

### 2 References

For related documents and software, please visit:

<https://www.dialog-semiconductor.com/configurable-mixed-signal>.

Download our free [GreenPAK Designer](#) software [1] to open the .gp files [2] and view the proposed circuit design. Use the [GreenPAK development tools](#) [3] to freeze the design into your own customized IC in a matter of minutes. Find out more in complete library of application notes [4] featuring design examples as well as explanations of features and blocks within the GreenPAK IC.

- [1] [GreenPAK Designer Software](#), Software Download and User Guide
- [2] [AN-CM-329 Frequency Multiplier.gp](#), [GreenPAK Design File](#)
- [3] [GreenPAK Development Tools](#), [GreenPAK Development Tools Webpage](#)
- [4] [GreenPAK Application Notes](#), [GreenPAK Application Notes Webpage](#)



Frequency Multiplier

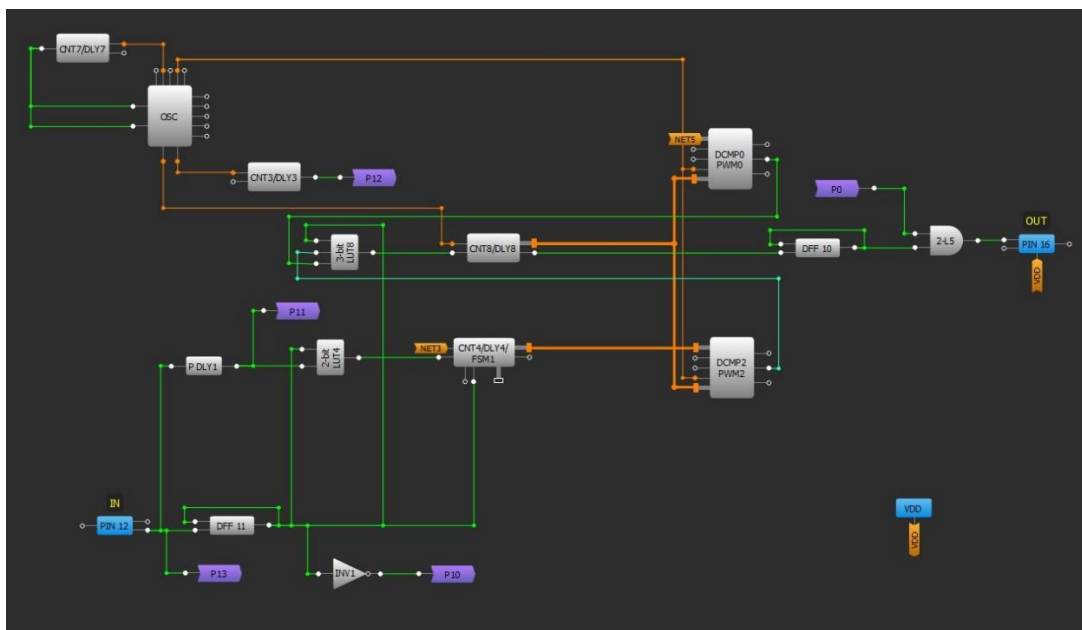


Figure 2: GreenPAK Design Out Circuit (continued)

The design can be divided into the following blocks:

- Frequency Multiplier
- Selector
- Multiplier settings
- FLAG
- OUT

### 5 Frequency Multiplier

The design includes two frequency multiplier blocks consisting of FSM0/DCMP0 and FSM1/ DCMP2.

The frequency multiplier block that consists of FSM1/DCMP2 operates as follows: When the signal from the selector is LOW, then FSM1 counts the IN frequency, and when the signal from the selector is HIGH, then FSM1, CNT8, and DCMP2 generate an OUT frequency.

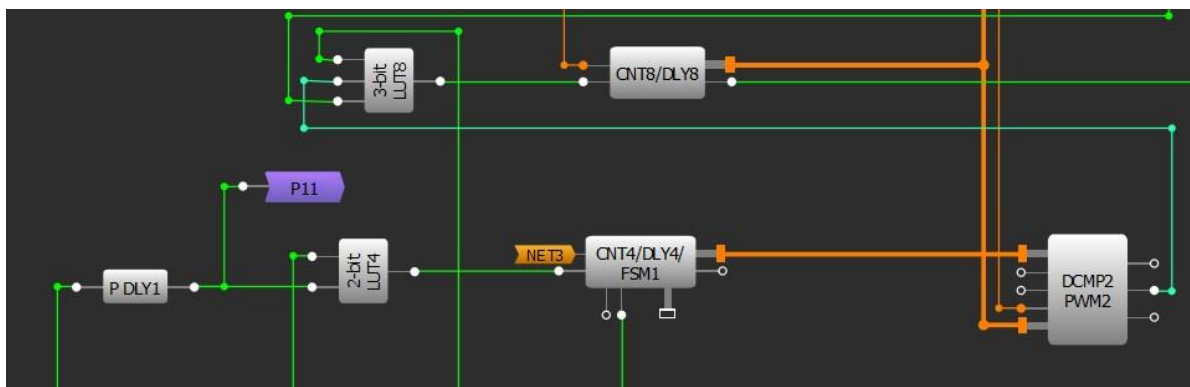


Figure 3: Frequency Multiplier

## Frequency Multiplier

### 6 Selector

The selector chooses which of the two blocks counts input frequency and which generates the multiplied output frequency.

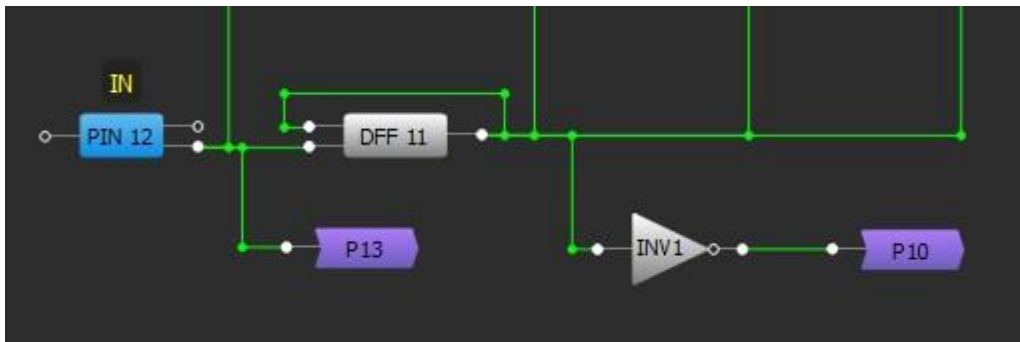


Figure 4: Selector

### 7 Multiplier Settings

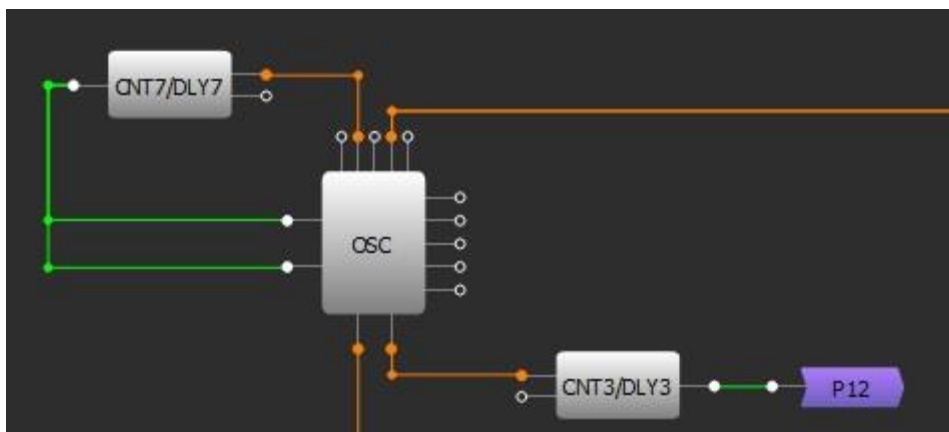


Figure 5: Multiplier Settings

CNT3 is used to select a factor by which the input frequency is multiplied. The counter data is determined by the formula:

$$CD = 2 * N - 1$$

where CD is counter data and N is the multiplying factor.

CNT7 is used to determine the input frequency. The counter period should be approximately:

$$T \approx \frac{1}{100 \cdot F \cdot N}$$

where T is the counter period, F is the approximate input frequency, and N is the multiplying factor.



Frequency Multiplier

### 11 Experimental Waveforms

Channel 1 (yellow/top line): PIN#12 (IN)  
Channel 2 (light blue/2nd line): PIN#4 (FLAG)  
Channel 3 (magenta/3rd line): PIN#16 (OUT)

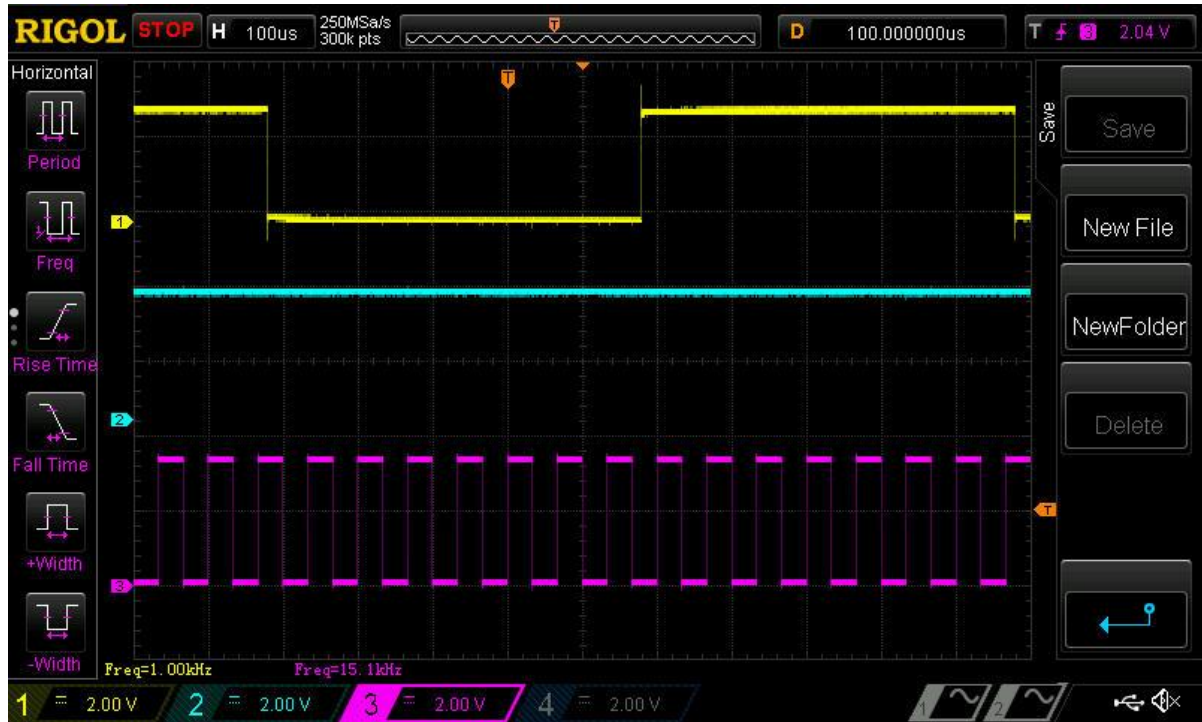


Figure 8: Waveform when input frequency is 1kHz



Frequency Multiplier

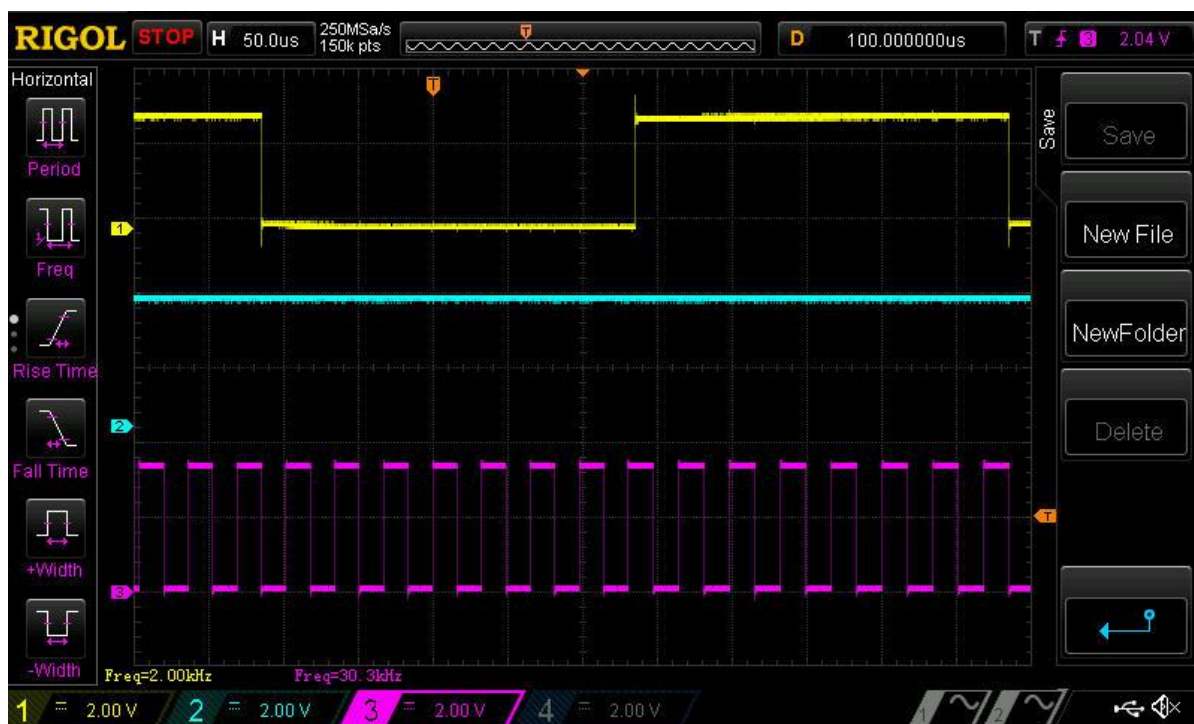


Figure 9: Waveform when input frequency is 2kHz

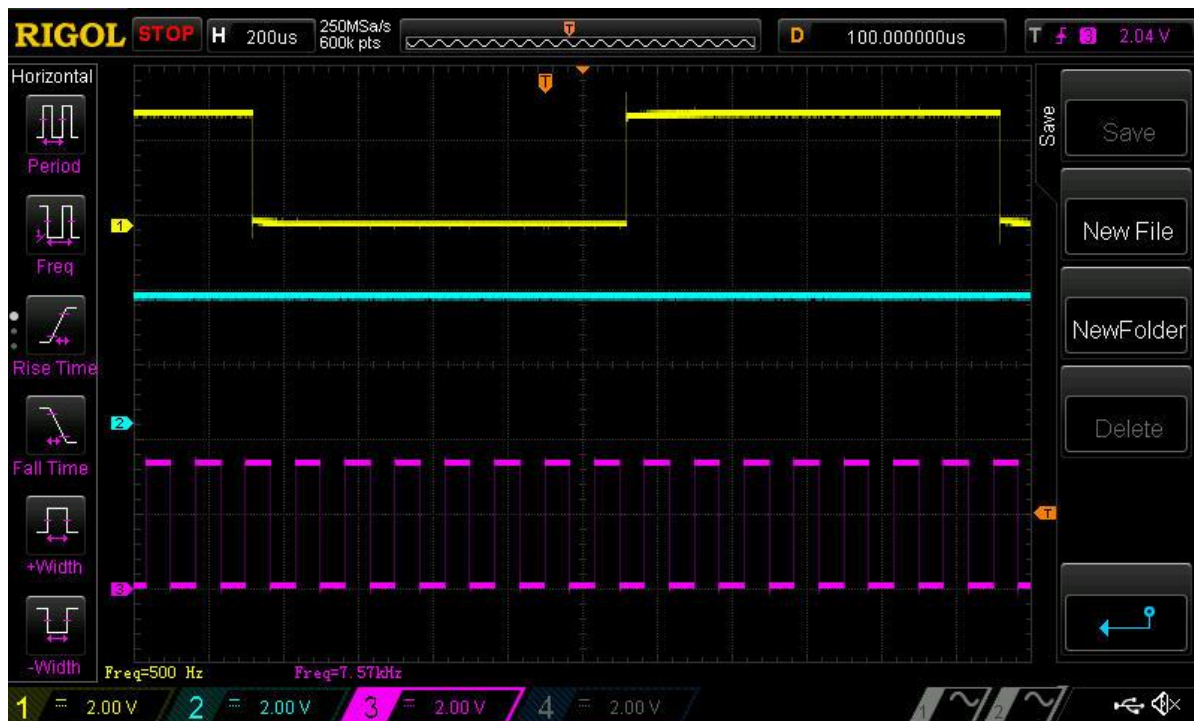


Figure 10: Waveform when input frequency is 0.5kHz

Frequency Multiplier



Figure 11: Waveform when input frequency is 6kHz

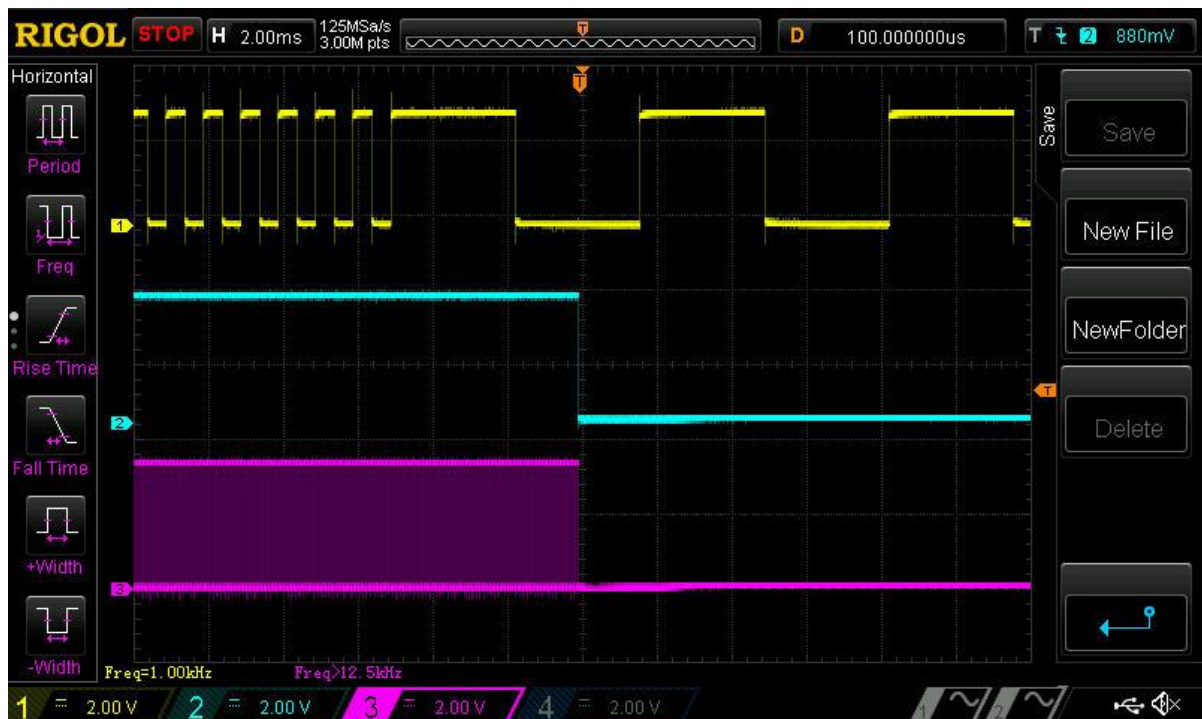


Figure 12: Waveform when input frequency is 150 Hz

---

## Frequency Multiplier

### Conclusion

This application note demonstrates how to make a frequency multiplier using a GreenPAK IC. Only a few internal blocks of the SLG46620 chip are used, leaving the bulk of the blocks available to build other circuitry. The given design is limited to an input frequency range of 0.2x to 5x the typical frequency for which the circuit was debugged (~1kHz). The typical output frequency cannot exceed 135 kHz.

Due to its size, configurability, and price, the GreenPAK is an excellent approach to implement a frequency multiplier.

---

---

## Frequency Multiplier

### Revision History

Revision	Date	Description
1.0	09-Mar-2022	Initial Version

## IMPORTANT NOTICE AND DISCLAIMER

RENESAS ELECTRONICS CORPORATION AND ITS SUBSIDIARIES (“RENESAS”) PROVIDES TECHNICAL SPECIFICATIONS AND RELIABILITY DATA (INCLUDING DATASHEETS), DESIGN RESOURCES (INCLUDING REFERENCE DESIGNS), APPLICATION OR OTHER DESIGN ADVICE, WEB TOOLS, SAFETY INFORMATION, AND OTHER RESOURCES “AS IS” AND WITH ALL FAULTS, AND DISCLAIMS ALL WARRANTIES, EXPRESS OR IMPLIED, INCLUDING, WITHOUT LIMITATION, ANY IMPLIED WARRANTIES OF MERCHANTABILITY, FITNESS FOR A PARTICULAR PURPOSE, OR NON-INFRINGEMENT OF THIRD PARTY INTELLECTUAL PROPERTY RIGHTS.

These resources are intended for developers skilled in the art designing with Renesas products. You are solely responsible for (1) selecting the appropriate products for your application, (2) designing, validating, and testing your application, and (3) ensuring your application meets applicable standards, and any other safety, security, or other requirements. These resources are subject to change without notice. Renesas grants you permission to use these resources only for development of an application that uses Renesas products. Other reproduction or use of these resources is strictly prohibited. No license is granted to any other Renesas intellectual property or to any third party intellectual property. Renesas disclaims responsibility for, and you will fully indemnify Renesas and its representatives against, any claims, damages, costs, losses, or liabilities arising out of your use of these resources. Renesas' products are provided only subject to Renesas' Terms and Conditions of Sale or other applicable terms agreed to in writing. No use of any Renesas resources expands or otherwise alters any applicable warranties or warranty disclaimers for these products.

(Rev.1.0 Mar 2020)

### Corporate Headquarters

TOYOSU FORESIA, 3-2-24 Toyosu,  
Koto-ku, Tokyo 135-0061, Japan  
[www.renesas.com](http://www.renesas.com)

### Contact Information

For further information on a product, technology, the most up-to-date version of a document, or your nearest sales office, please visit:  
[www.renesas.com/contact/](http://www.renesas.com/contact/)

### Trademarks

Renesas and the Renesas logo are trademarks of Renesas Electronics Corporation. All trademarks and registered trademarks are the property of their respective owners.