

RS-485 Interfaces

Isolating RS-485 Interfaces with High-Speed Digital Optocouplers

AN1991
Rev.0.00
Mar 19, 2018

Abstract

Opto-isolators (also known as optocouplers, photocouplers, or optical isolators), have been used in the design of isolated RS-485 networks for the past four decades. Despite the availability of transceivers with integrated magnetic or capacitive isolation barriers, the demand for optocouplers in network applications remains high, often due to their low-cost advantage, but also because they offer a freedom of choice with regard to isolation voltages.

This application note discusses the design of isolated RS-485 interfaces using Renesas digital high-speed optocouplers.

Contents

- 1. **Functional Principle and Construction of Optocouplers** 2
- 2. **LED Drive Circuit and Common-Mode Rejection (CMR)** 3
- 3. **Isolated RS-485 Interface (Dominant/Recessive Mode)** 4
 - 3.1 Transceiver Operating Mode 4
 - 3.2 PS9924 Optocoupler Features 4
 - 3.3 Calculating the Current Setting Resistor Values 5
 - 3.4 Determining the Collector Resistor Values 5
 - 3.5 Signal Waveforms 6
- 5. **Low-Volt, 2.5kV Isolated RS-485 Interface (Transmit/Receive Mode)** 7
- 7. **Revision History** 8

List of Figures

- Figure 1. Functional Block Diagram 2
- Figure 2. Optocoupler Constructions 2
- Figure 3. Typical LED Drive Circuit 3
- Figure 4. AC Equivalent Circuit 3
- Figure 5. Recommended LED Drive Circuit 3
- Figure 6. AC Equivalent Circuit 3
- Figure 7. 7.5kV Isolated RS-485 Interface 4
- Figure 8. 8 Ld LSDIP Package 4
- Figure 9. Establishing the IF and VF Values from Tables or the Typical Characteristics 5
- Figure 10. Signal Waveforms of the Circuit in [Figure 7](#) 6
- Figure 11. 3.75kV Isolated RS-485 Interface using Dominant/Recessive Mode 6
- Figure 12. Low-Supply, 2.5kV Isolated RS-485 Interface (Tx/Rx Mode) 7

1. Functional Principle and Construction of Optocouplers

An optocoupler provides signal transfer between an isolated input and output using an infrared Light Emitting Diode (LED) and a silicon phototransistor (Figure 1). The LED sends a beam of infrared energy to an optical receiver inside a single package with a light conducting medium between the emitter and the detector. This mechanism provides complete electrical isolation of electronic circuits from input to output, while transmitting information from one side to the other, and from one voltage potential to another.

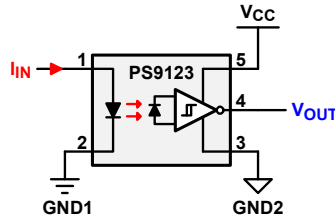


Figure 1. Functional Block Diagram

The manufacturing process and structure of an optocoupler varies between manufacturers. Renesas optocouplers are constructed based on single or double mold processes (Figure 2), and rated at Moisture Sensitivity Level (MSL) 1.

Typically, the lead frame material is either Cu alloy or Alloy 42 with the plating being either SnBi or AuNiPd. The silicone resin that covers the surface of an LED die is used to extract more light by better matching the index of refraction.

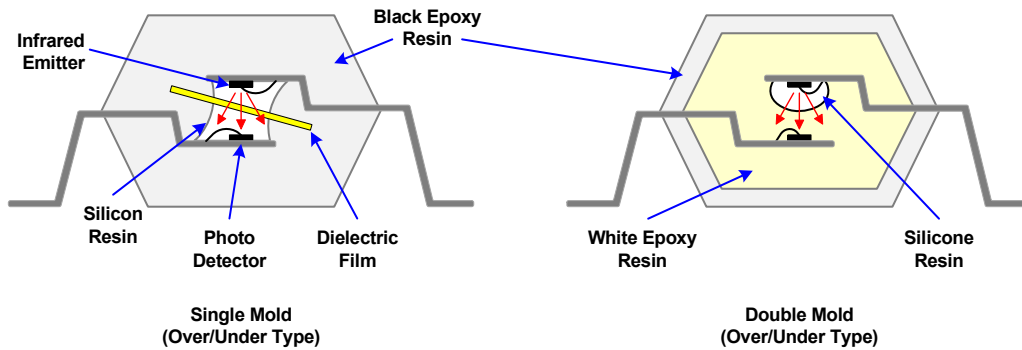


Figure 2. Optocoupler Constructions

The single molded over/under technique provides the best light coupling efficiency because a silicone resin is used as a medium for direct contact between the LED and the Si detector die. To further improve the common mode noise rejection and isolation voltage, glass or polyamide film is inserted in between the LED and the detector die. A black epoxy resin is used to house the device.

The double molded device is similar to the single molded version but it has an additional inner mold with high dielectric white epoxy resin acting as a light pipe to provide the best reliability.

2. LED Drive Circuit and Common-Mode Rejection (CMR)

Figure 3 shows a typical drive circuit for optocouplers using a single resistor (R_S) that sets the forward current of the LED. Its value is calculated using Equation 1:

$$(EQ. 1) \quad R_S = \frac{V_{CC1} - V_F - V_{OL}}{I_F}$$

Where V_F and I_F are the typical forward voltage and current of the LED, and V_{CC1} and V_{OL} are the typical supply voltage and low output voltage of the input buffer (B). This buffer ensures a reliable LED drive that is independent of the output drive capability of the local controller (MCU or UART).

Due to the optocoupler’s internal construction, leakage capacitances (C_{LA} and C_{LC}) exist that allow common-mode transients to capacitively couple from the LED anode and cathode to the output-side ground (Figure 4). This coupling can cause forward current to be shunted away from the LED, which could momentarily turn off the LED during an ON condition, or conversely cause current to be injected into the LED, which could momentarily turn on the LED during an OFF condition. In both cases output glitches can occur that lead to data errors.

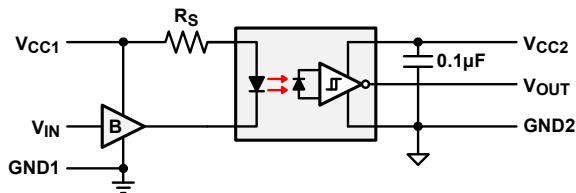


Figure 3. Typical LED Drive Circuit

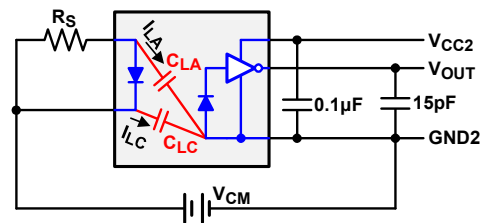


Figure 4. AC Equivalent Circuit

To reduce the risk of output glitches and thus improve common-mode rejection, it is necessary to balance the common-mode impedance at the LED anode and cathode. This is achieved by using two current setting resistors, each with a value of $R_S/2$. Figure 5 shows the recommended drive circuit for optimum CMR and Figure 6 shows its AC equivalent circuit.

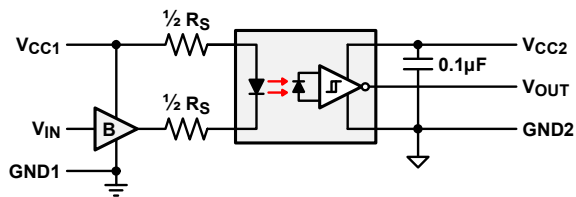


Figure 5. Recommended LED Drive Circuit

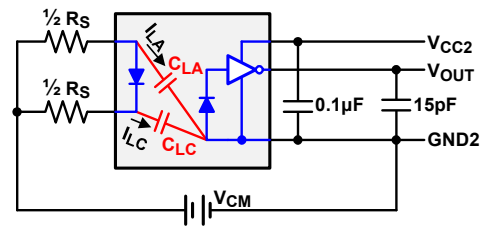


Figure 6. AC Equivalent Circuit

3. Isolated RS-485 Interface (Dominant/Recessive Mode)

Figure 7 shows an isolated RS-485 interface using PS9924 optocouplers rated for 7.5kV isolation and up to 10Mbps data rate. The RS-485 transceiver ISL3152 is specified with a minimum data rate of 1Mbps and a typical output voltage of 3.1V across a differential load of 54Ω, which is about 60% more than that of standard transceivers.

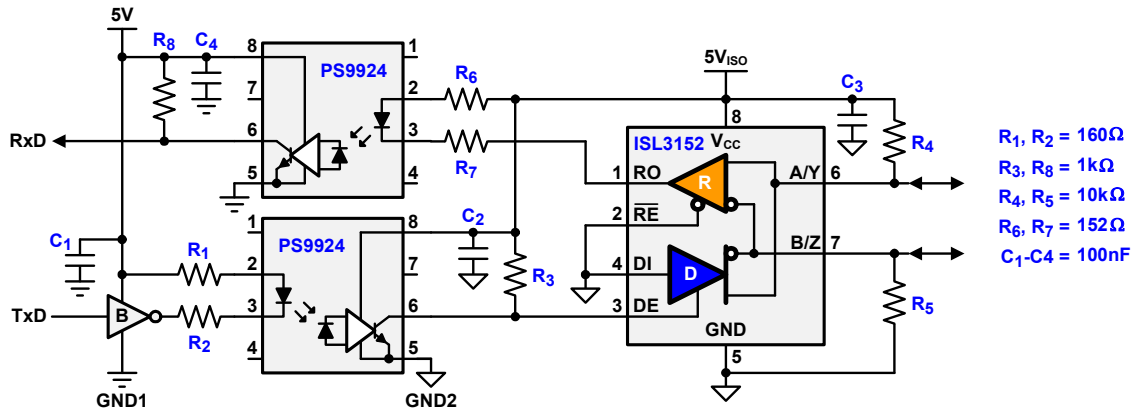


Figure 7. 7.5kV Isolated RS-485 Interface

3.1 Transceiver Operating Mode

The ISL3152 is configured for dominant/recessive operation, meaning a logic low state at the transmit channel input (TxD) enables the driver at DE, thus actively driving the bus low ($V_A < V_B$). A high at TxD disables the driver, thus establishing a bus-high through the pull-up/down resistors, R₄ and R₅.

The receive channel is permanently enabled, which allows the immediate verification of the transmit data and the detection of bus contentions, if two or more transceivers try to access the bus at the same time. For example, if a transceiver outputs a high, its receiver should also read a high. If the receiver reads a low instead, the transceiver knows that another driver is pulling the bus low and that it must stop its transmission immediately.

This detection method can be used for arbitration, a negotiation procedure between network nodes to gain bus access. However, this process is time critical and requires short propagation delays and small pulse width distortion.

3.2 PS9924 Optocoupler Features

The PS9924 satisfies these requirements with prop-delays of 45ns and a Pulse Width Distortion (PWD) of 5ns. Its high isolation voltage of 7.5kV is supported through an 8 Ld LSDIP package, which has a minimum creepage distance of 14.5mm.



Figure 8. 8 Ld LSDIP Package

3.3 Calculating the Current Setting Resistor Values

To ensure reliable operation across a wide temperature range, the LED forward current (I_F) should be set to the typical value in the datasheet, using the nominal input supply and the typical forward voltage at +25°C. Commonly, the datasheet lists these values in table form. If not, use the forward-current vs forward-voltage characteristic in the datasheet’s Typical Characteristics section.

Table 1. Recommended Operating Conditions

Parameter	Symbol	Min	Typ	Max	Unit
Low Level Forward Voltage	$V_{F(OFF)}$	-2		0.8	V
High Level Forward Current	$I_{F(ON)}$	8	10	12	mA

Table 2. Electrical Characteristics

($T_A = -40$ to $+110^\circ\text{C}$, unless otherwise specified)

Parameter	Symbol	Conditions	MIN	TYP	MAX	Unit
Diode Forward Voltage	V_F	$I_F = 10\text{mA}$, $T_A = 25^\circ\text{C}$	1.3	1.56	1.8	V

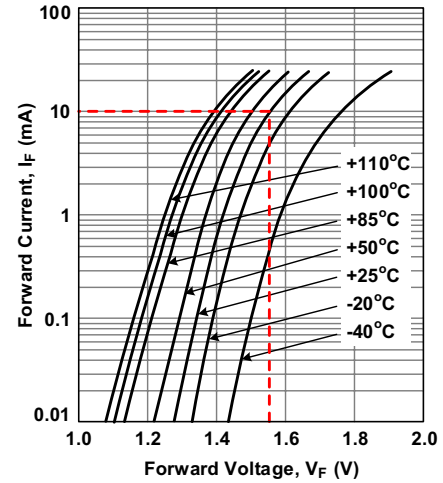


Figure 9. Establishing the I_F and V_F Values from Tables or the Typical Characteristics

First, calculate the current setting resistance for the PS9924 in the transmit path, using a typical V_{OL} of 0.25V for the input buffer (TC7SZU04F). Use [Equation 2](#):

$$(EQ. 2) \quad R_{S(TX)} = \frac{V_{S(nom)} - V_{F(typ)} - V_{OL(typ)}}{I_{F(typ)}} = \frac{5V - 1.56V - 0.25V}{10\text{mA}} = 319\Omega$$

For optimum CMR make $R_1, R_2 = R_{S(TX)}/2$, choosing either 160Ω from the E-192 series, or 162Ω from the E-48 series of standard resistor values.

Then calculate the current setting resistance for the PS9924 in the receive path, using a typical V_{OL} of 0.4V for the receiver output of the ISL3155:

$$(EQ. 3) \quad R_{S(RX)} = \frac{V_{S(nom)} - V_{F(typ)} - V_{OL(typ)}}{I_{F(typ)}} = \frac{5V - 1.56V - 0.4V}{10\text{mA}} = 304\Omega$$

For optimum CMR make $R_7, R_8 = R_{S(RX)}/2$, choosing either 152Ω from the E-192 series, or 154Ω from the E-48 series of standard resistor values.

3.4 Determining the Collector Resistor Values

The PS9924 has an open collector output that requires a pull-up or load resistor (R_L) between the collector and the V_{CC} supply. Although the datasheet allows for a wide range of resistor values (from 350Ω to 4kΩ), it is important to notice that R_L interacts with the inherent capacitances of the output transistor. A large resistor value reduces the collector current, but increases the propagation delay and Pulse Width Distortion (PWD). Conversely, a low resistor value increases current flow but keeps the delay and distortion parameters at a minimum.

Because RS-485 commonly uses asynchronous data transmission, limit PWD to equal or less than 20% of the bit time. Unfortunately the PS9924 datasheet only specifies a maximum PWD of $\pm 35\text{ns}$ for $R_L = 350\Omega$. However, from bench testing we know that the PWD for $R_L = 1\text{k}\Omega$ is only slightly increased to less than 100ns. As a compromise between current saving and increased PWD, the collector resistors R_3 and R_9 are therefore selected with 1kΩ. This reduces the collector current by a factor of 3 ($1\text{k}\Omega/350\Omega$) and keeps the PWD below 10% of the 1μs bit time at 1Mbps data rate.

3.5 Signal Waveforms

Figure 10 shows the signal waveform of the isolated interface circuit in Figure 7 on page 4.

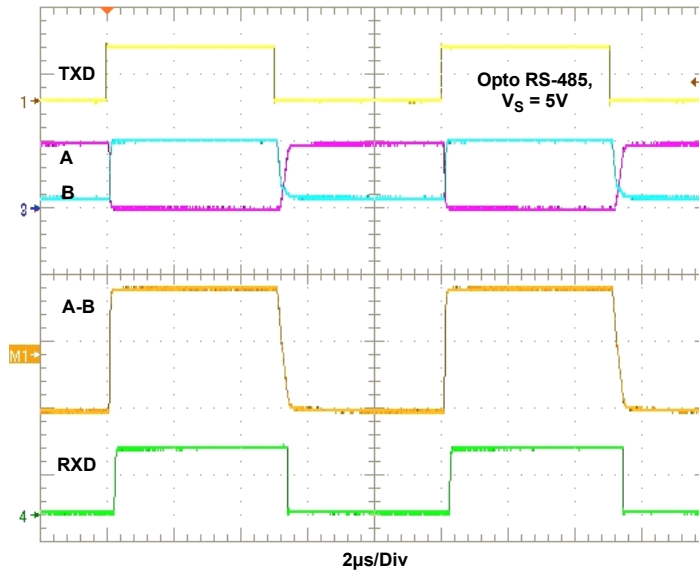


Figure 10. Signal Waveforms of the Circuit in Figure 7

4. Low-Cost, Small-Board Space, 3.75kV Isolated RS-485 Interface

Figure 11 shows the low-cost design of an isolated interface using PS9123 optocouplers with push-pull outputs, thus requiring no collector/load resistors. To further reduce component count, both LED drive circuits use only single current setting resistors, yet still provide a high common-mode rejection of 15kV/µs minimum. The PS9123 has maximum prop-delays of 60ns and a maximum PWD of 30ns, thus easily supporting data rates up to 1Mbps.

For space constrained designs the PS9123 comes in a small 3.4mmx4.4mm SO-5 package, while the ISL3155 is available in a small 3mmx3mm, 8 Ld MSOP package.

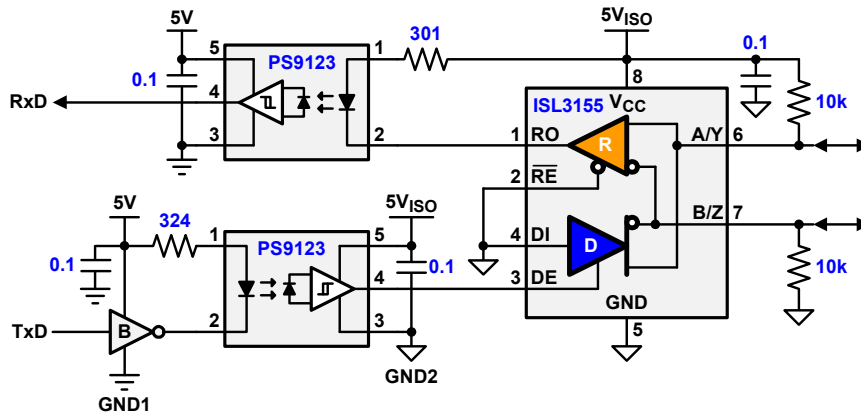


Figure 11. 3.75kV Isolated RS-485 Interface using Dominant/Recessive Mode

5. Low-Volt, 2.5kV Isolated RS-485 Interface (Transmit/Receive Mode)

This interface operates the transceiver in the usual RS-485 transmit/receive mode, which makes the use of three optocouplers necessary. Two optocouplers isolate the data channels in transmit and receive (TxD and RxD), while the third one controls the direction of the data flow (DIR) by switching the transceiver enable functions between receive and transmit mode.

All components are 3V compatible and can be directly connected to low-voltage UARTs. Although the PS9121 is rated for 3.75kV isolation, V_{ISO} of the PS9821-2 is only 2.5kV and thus, determines the maximum isolation voltage of the interface isolation barrier.

The ISL3175 is a slew rate limited half-duplex transceiver with a maximum data rate of 500kbps. Its failsafe biasing network is designed to provide a minimum failsafe voltage of 400mV on a fully loaded bus with up to 350 bus transceivers.

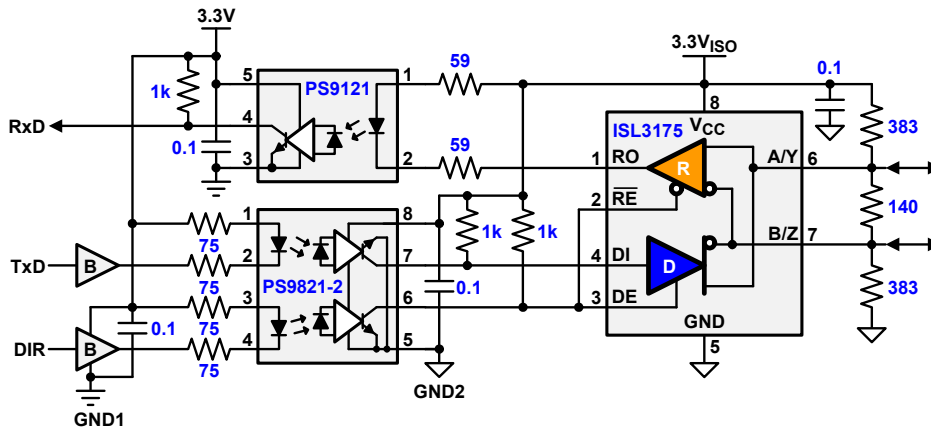


Figure 12. Low-Supply, 2.5kV Isolated RS-485 Interface (Tx/Rx Mode)

6. References

For more information on digital isolated interfaces visit our website.

- PS9924 datasheet: High CMR, 10Mbps Open Collector Output Photocoupler with 14.5mm Creepage Distance
- PS9123 datasheet: High CMR, 15Mbps Totem Pole Output Photocoupler
- PS9121 datasheet: High CMR, 15Mbps Open Collector Output, 3.3V Photocoupler
- PS9821-2 datasheet: High CMR, 15Mbps Open Collector Output, 3.3V Dual Photocoupler
- TC7SZU04F datasheet: CMOS Inverting Buffer (Toshiba Electronic Devices & Storage Corporation)
- [ISL3155](#) datasheet: ±16.5kV ESD, Large Output Swing, 5V, Full Fail-Safe, 1/8 Unit Load, RS-485 Transceiver
- [ISL3175](#) datasheet: ±15kV ESD, Low Power, 3.3V, Full Fail-Safe, Slew Rate Limited, RS-485 Transceivers
- Application note AN3020: A Guide to Designing with Optocouplers
- Application note [AN1987](#): External Failsafe Biasing for Isolated Long Haul Buses

7. Revision History

Rev.	Date	Description
0.00	Mar 19, 2018	Initial release

Notice

1. Descriptions of circuits, software and other related information in this document are provided only to illustrate the operation of semiconductor products and application examples. You are fully responsible for the incorporation or any other use of the circuits, software, and information in the design of your product or system. Renesas Electronics disclaims any and all liability for any losses and damages incurred by you or third parties arising from the use of these circuits, software, or information.
2. Renesas Electronics hereby expressly disclaims any warranties against and liability for infringement or any other claims involving patents, copyrights, or other intellectual property rights of third parties, by or arising from the use of Renesas Electronics products or technical information described in this document, including but not limited to, the product data, drawings, charts, programs, algorithms, and application examples.
3. No license, express, implied or otherwise, is granted hereby under any patents, copyrights or other intellectual property rights of Renesas Electronics or others.
4. You shall not alter, modify, copy, or reverse engineer any Renesas Electronics product, whether in whole or in part. Renesas Electronics disclaims any and all liability for any losses or damages incurred by you or third parties arising from such alteration, modification, copying or reverse engineering.
5. Renesas Electronics products are classified according to the following two quality grades: "Standard" and "High Quality". The intended applications for each Renesas Electronics product depends on the product's quality grade, as indicated below.
"Standard": Computers; office equipment; communications equipment; test and measurement equipment; audio and visual equipment; home electronic appliances; machine tools; personal electronic equipment; industrial robots; etc.
"High Quality": Transportation equipment (automobiles, trains, ships, etc.); traffic control (traffic lights); large-scale communication equipment; key financial terminal systems; safety control equipment; etc.
Unless expressly designated as a high reliability product or a product for harsh environments in a Renesas Electronics data sheet or other Renesas Electronics document, Renesas Electronics products are not intended or authorized for use in products or systems that may pose a direct threat to human life or bodily injury (artificial life support devices or systems; surgical implantations; etc.), or may cause serious property damage (space system; undersea repeaters; nuclear power control systems; aircraft control systems; key plant systems; military equipment; etc.). Renesas Electronics disclaims any and all liability for any damages or losses incurred by you or any third parties arising from the use of any Renesas Electronics product that is inconsistent with any Renesas Electronics data sheet, user's manual or other Renesas Electronics document.
6. When using Renesas Electronics products, refer to the latest product information (data sheets, user's manuals, application notes, "General Notes for Handling and Using Semiconductor Devices" in the reliability handbook, etc.), and ensure that usage conditions are within the ranges specified by Renesas Electronics with respect to maximum ratings, operating power supply voltage range, heat dissipation characteristics, installation, etc. Renesas Electronics disclaims any and all liability for any malfunctions, failure or accident arising out of the use of Renesas Electronics products outside of such specified ranges.
7. Although Renesas Electronics endeavors to improve the quality and reliability of Renesas Electronics products, semiconductor products have specific characteristics, such as the occurrence of failure at a certain rate and malfunctions under certain use conditions. Unless designated as a high reliability product or a product for harsh environments in a Renesas Electronics data sheet or other Renesas Electronics document, Renesas Electronics products are not subject to radiation resistance design. You are responsible for implementing safety measures to guard against the possibility of bodily injury, injury or damage caused by fire, and/or danger to the public in the event of a failure or malfunction of Renesas Electronics products, such as safety design for hardware and software, including but not limited to redundancy, fire control and malfunction prevention, appropriate treatment for aging degradation or any other appropriate measures. Because the evaluation of microcomputer software alone is very difficult and impractical, you are responsible for evaluating the safety of the final products or systems manufactured by you.
8. Please contact a Renesas Electronics sales office for details as to environmental matters such as the environmental compatibility of each Renesas Electronics product. You are responsible for carefully and sufficiently investigating applicable laws and regulations that regulate the inclusion or use of controlled substances, including without limitation, the EU RoHS Directive, and using Renesas Electronics products in compliance with all these applicable laws and regulations. Renesas Electronics disclaims any and all liability for damages or losses occurring as a result of your noncompliance with applicable laws and regulations.
9. Renesas Electronics products and technologies shall not be used for or incorporated into any products or systems whose manufacture, use, or sale is prohibited under any applicable domestic or foreign laws or regulations. You shall comply with any applicable export control laws and regulations promulgated and administered by the governments of any countries asserting jurisdiction over the parties or transactions.
10. It is the responsibility of the buyer or distributor of Renesas Electronics products, or any other party who distributes, disposes of, or otherwise sells or transfers the product to a third party, to notify such third party in advance of the contents and conditions set forth in this document.
11. This document shall not be reprinted, reproduced or duplicated in any form, in whole or in part, without prior written consent of Renesas Electronics.
12. Please contact a Renesas Electronics sales office if you have any questions regarding the information contained in this document or Renesas Electronics products.
(Note 1) "Renesas Electronics" as used in this document means Renesas Electronics Corporation and also includes its directly or indirectly controlled subsidiaries.
(Note 2) "Renesas Electronics product(s)" means any product developed or manufactured by or for Renesas Electronics.

(Rev.4.0-1 November 2017)



SALES OFFICES

Renesas Electronics Corporation

<http://www.renesas.com>

Refer to "<http://www.renesas.com/>" for the latest and detailed information.

Renesas Electronics America Inc.

1001 Murphy Ranch Road, Milpitas, CA 95035, U.S.A.
Tel: +1-408-432-8888, Fax: +1-408-434-5351

Renesas Electronics Canada Limited

9251 Yonge Street, Suite 8309 Richmond Hill, Ontario Canada L4C 9T3
Tel: +1-905-237-2004

Renesas Electronics Europe Limited

Dukes Meadow, Millboard Road, Bourne End, Buckinghamshire, SL8 5FH, U.K
Tel: +44-1628-651-700, Fax: +44-1628-651-804

Renesas Electronics Europe GmbH

Arcadiastrasse 10, 40472 Düsseldorf, Germany
Tel: +49-211-6503-0, Fax: +49-211-6503-1327

Renesas Electronics (China) Co., Ltd.

Room 1709 Quantum Plaza, No.27 ZhichunLu, Haidian District, Beijing, 100191 P. R. China
Tel: +86-10-8235-1155, Fax: +86-10-8235-7679

Renesas Electronics (Shanghai) Co., Ltd.

Unit 301, Tower A, Central Towers, 555 Langao Road, Putuo District, Shanghai, 200333 P. R. China
Tel: +86-21-2226-0888, Fax: +86-21-2226-0999

Renesas Electronics Hong Kong Limited

Unit 1601-1611, 16/F., Tower 2, Grand Century Place, 193 Prince Edward Road West, Mongkok, Kowloon, Hong Kong
Tel: +852-2265-6688, Fax: +852 2886-9022

Renesas Electronics Taiwan Co., Ltd.

13F, No. 363, Fu Shing North Road, Taipei 10543, Taiwan
Tel: +886-2-8175-9600, Fax: +886 2-8175-9670

Renesas Electronics Singapore Pte. Ltd.

80 Bendemeer Road, Unit #06-02 Hyflux Innovation Centre, Singapore 339949
Tel: +65-6213-0200, Fax: +65-6213-0300

Renesas Electronics Malaysia Sdn.Bhd.

Unit 1207, Block B, Menara Amcorp, Amcorp Trade Centre, No. 18, Jln Persiaran Barat, 46050 Petaling Jaya, Selangor Darul Ehsan, Malaysia
Tel: +60-3-7955-9390, Fax: +60-3-7955-9510

Renesas Electronics India Pvt. Ltd.

No.777C, 100 Feet Road, HAL 2nd Stage, Indiranagar, Bangalore 560 038, India
Tel: +91-80-67208700, Fax: +91-80-67208777

Renesas Electronics Korea Co., Ltd.

17F, KAMCO Yangjae Tower, 262, Gangnam-daero, Gangnam-gu, Seoul, 06265 Korea
Tel: +82-2-558-3737, Fax: +82-2-558-5338