

Abstract

This application note describes how to use the SPICE model for the [ISL70002SEH](#) radiation hardened and SEE hardened 12A synchronous buck regulator. This SPICE model was developed to help system designers evaluate the operation of this IC prior or in conjunction with prototyping a system design. This model accurately simulates typical performance characteristics at room temperature (+25 °C) such as loop analysis, transient analysis and start-up. Functionality has been tested on CADENCE ORCAD 16.3. Other SPICE simulators may be used, however, the model may require translation.

Table of Contents

Introduction	2
Reference Documents	2
License Statement.	2
Project Files	2
Power Blocks	3
Maximum/Minimum Duty Cycle	3
Inductor Value	3
V _{OUT} Value	3
Switching Frequency Value.	3
Simulated Performance Curves.	4

List of Figures

FIGURE 1. Basic Noninverting Gain Configuration in ORCAD Spice for AC Analysis	2
FIGURE 2. Simulated Start-Up	4
FIGURE 3. Simulated 6A Transient Response	4
FIGURE 4. Simulated Loop Response	4

Introduction

The ISL70002SEH is a radiation hardened and SEE hardened high efficiency monolithic synchronous buck regulator with integrated MOSFETs, which operate over an input voltage range of 3V to 5.5V. Utilizing peak current-mode control with integrated compensation and a switching frequency of 1MHz or 500kHz, this Point-of-Load (POL) provides excellent dynamic response in a small form factor. High integration and class leading radiation tolerance makes the ISL70002SEH the ideal POL solution for many space applications.

Reference Documents

- [ISL70002SEH](#) datasheet
- SMD [5962-12202](#)

License Statement

The information in this SPICE model is protected under the United States copyright laws. Intersil Corporation hereby grants users of this macro-model hereto referred to as "Licensee", a nonexclusive, nontransferable license to use this model as long as the Licensee abides by the terms of this agreement. Before using this macro-model, the Licensee should read this license. If the Licensee does not accept these terms, permission to use the model is not granted.

The Licensee may not sell, loan, rent, or license the macro-model, in whole, in part, or in modified form, to anyone outside the Licensee's company. The Licensee may modify the macro-model to suit his/her specific applications, and the Licensee may make copies of this macro-model for use within their company only.

This macro-model is provided "AS IS, WHERE IS, AND WITH NO WARRANTY OF ANY KIND EITHER EXPRESSED OR IMPLIED, INCLUDING, BUT NOT LIMITED TO, ANY IMPLIED WARRANTIES OF MERCHANTABILITY AND FITNESS FOR A PARTICULAR PURPOSE."

In no event will Intersil be liable for special, collateral, incidental, or consequential damages in connection with or arising out of the use of this macro-model. Intersil reserves the right to make changes to the product and the macro-model without prior notice.

Project Files

The zip file: [isl70002seh-pspice-average-model.zip](#) contains the project file ISL70002SEH.opj to be used in an ORCAD simulator. The project file has the model definition file (.lib), symbol file (.olb) and the schematic page as shown in [Figure 1](#). Three simulation profiles are included in the project to simulate start-up, loop analysis and transient response. [Figures 2](#) through [4](#) show the results of the three preset simulation profiles.

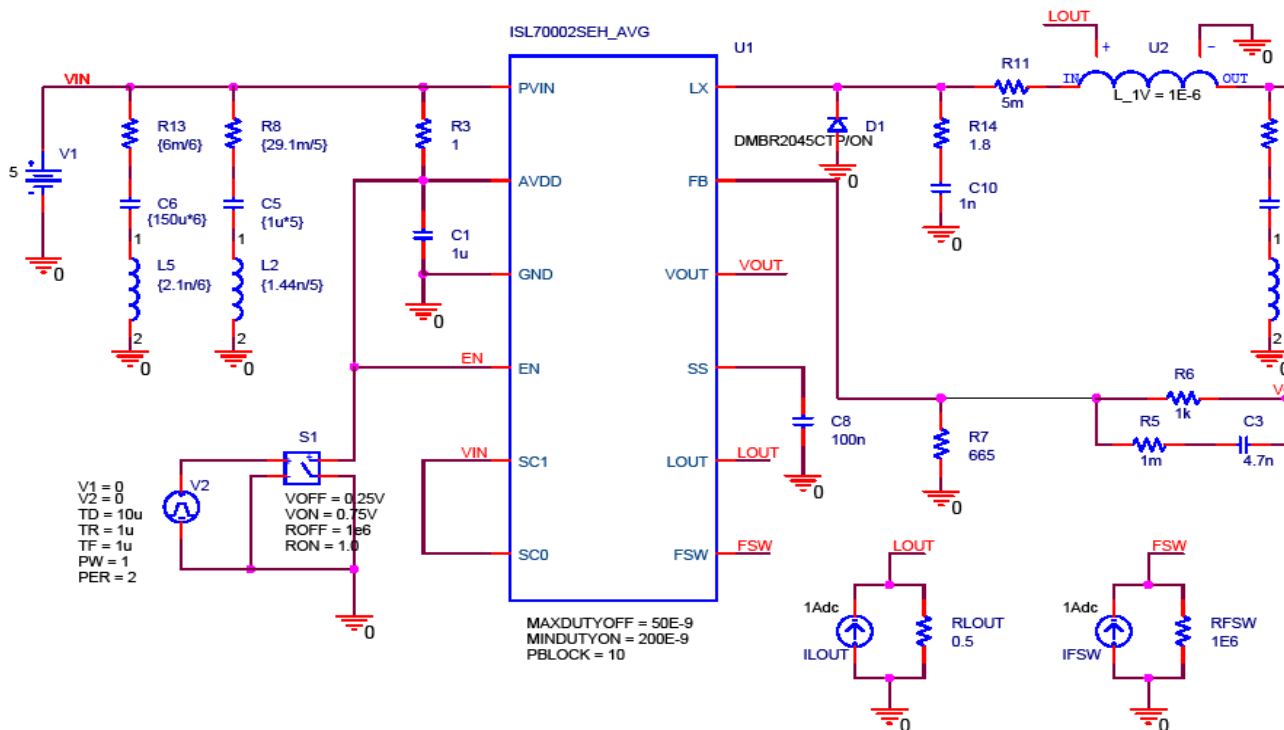


FIGURE 1. BASIC NONINVERTING GAIN CONFIGURATION IN ORCAD SPICE FOR AC ANALYSIS

Power Blocks

The model has a parameter named PBLOCK, which is equivalent to the number of LX nodes connected on the ISL70002SEH in a given application. By double clicking the text, you can modify the number of blocks to match the prototype board.

Maximum/Minimum Duty Cycle

The model has two parameters, named MAXDUTYOFF and MINDUTYON, which control the maximum LX off-time and minimum LX on-time, respectively. These parameters allow you to choose the proper on and off times based on your application and electrical specification limits of the datasheet or SMD. For example, the model is programmed with a 200ns minimum LX on-time based on the typical limit at 5.5V operation. If the application were for 3.3V rails the user should change this parameter to 225ns based on the datasheet electrical specifications for 3V operation.

Inductor Value

The average model is based on a mathematical representation of the ISL70002SEH. The value of the inductor is needed for the model to accurately simulate the regulator. The model has an added pin, LOUT, which is connected to a current source I_{LOUT} and resistor R_{LOUT} . These create a voltage that is fed into the pin and into inductor U2. U2 translates the voltage into inductance by the equation $L_{1V} = 1\mu H$, for every volt on LOUT the inductor value is $1\mu H$. For example, to change the inductor value to 500nH, one must change R_{LOUT} to 0.5Ω .

V_{OUT} Value

The output voltage must also be known for the average model to work correctly. The VOUT pin is added to read the output voltage and feed into the internal equations within the ISL70002SEH model. For proper simulation of the model VOUT must be connected to the output voltage of the ISL70002SEH application schematic.

Switching Frequency Value

Like the inductor, the value of the switching frequency is needed for the model to accurately simulate the regulator. The model has a pin, FSW, which functions differently than the FSEL pin on the physical device. The model requires a voltage to represent the value of the switching frequency. This voltage is set up and fed into the regulator using a current source, I_{FSW} , in parallel with a resistor, R_{FSW} . U1 translate, the voltage into frequency by the equation $1V = 1Hz$; where for every volt on the FSW pin, the switching frequency value is 1Hz. For example, to change the switching frequency value to 500kHz, one must change R_{FSW} to 500k Ω .

Simulated Performance Curves

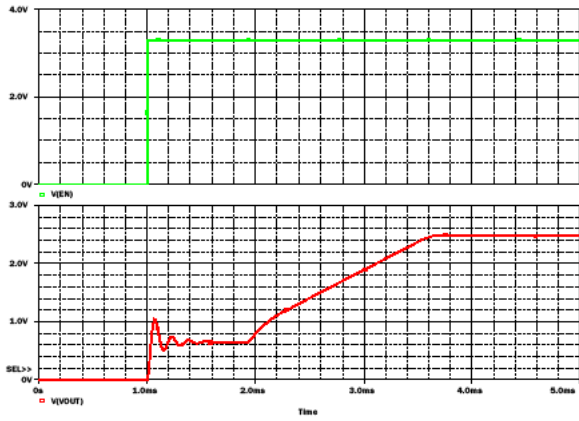


FIGURE 2. SIMULATED START-UP

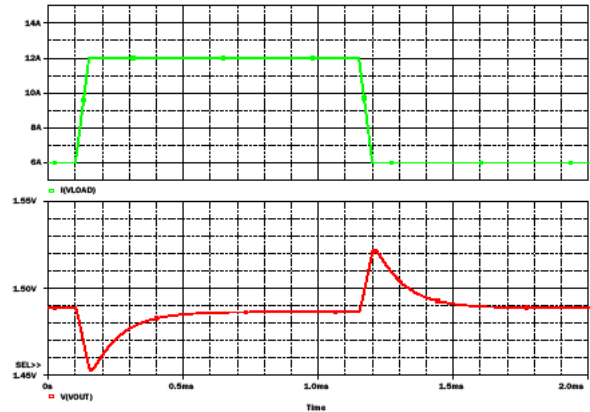


FIGURE 3. SIMULATED 6A TRANSIENT RESPONSE

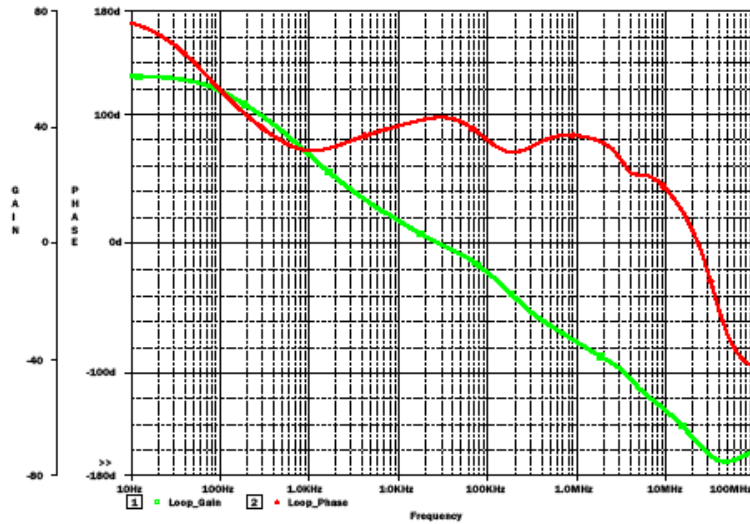


FIGURE 4. SIMULATED LOOP RESPONSE

Notice

1. Descriptions of circuits, software and other related information in this document are provided only to illustrate the operation of semiconductor products and application examples. You are fully responsible for the incorporation or any other use of the circuits, software, and information in the design of your product or system. Renesas Electronics disclaims any and all liability for any losses and damages incurred by you or third parties arising from the use of these circuits, software, or information.
2. Renesas Electronics hereby expressly disclaims any warranties against and liability for infringement or any other claims involving patents, copyrights, or other intellectual property rights of third parties, by or arising from the use of Renesas Electronics products or technical information described in this document, including but not limited to, the product data, drawings, charts, programs, algorithms, and application examples.
3. No license, express, implied or otherwise, is granted hereby under any patents, copyrights or other intellectual property rights of Renesas Electronics or others.
4. You shall not alter, modify, copy, or reverse engineer any Renesas Electronics product, whether in whole or in part. Renesas Electronics disclaims any and all liability for any losses or damages incurred by you or third parties arising from such alteration, modification, copying or reverse engineering.
5. Renesas Electronics products are classified according to the following two quality grades: "Standard" and "High Quality". The intended applications for each Renesas Electronics product depends on the product's quality grade, as indicated below.
"Standard": Computers; office equipment; communications equipment; test and measurement equipment; audio and visual equipment; home electronic appliances; machine tools; personal electronic equipment; industrial robots; etc.
"High Quality": Transportation equipment (automobiles, trains, ships, etc.); traffic control (traffic lights); large-scale communication equipment; key financial terminal systems; safety control equipment; etc.
Unless expressly designated as a high reliability product or a product for harsh environments in a Renesas Electronics data sheet or other Renesas Electronics document, Renesas Electronics products are not intended or authorized for use in products or systems that may pose a direct threat to human life or bodily injury (artificial life support devices or systems; surgical implantations; etc.), or may cause serious property damage (space system; undersea repeaters; nuclear power control systems; aircraft control systems; key plant systems; military equipment; etc.). Renesas Electronics disclaims any and all liability for any damages or losses incurred by you or any third parties arising from the use of any Renesas Electronics product that is inconsistent with any Renesas Electronics data sheet, user's manual or other Renesas Electronics document.
6. When using Renesas Electronics products, refer to the latest product information (data sheets, user's manuals, application notes, "General Notes for Handling and Using Semiconductor Devices" in the reliability handbook, etc.), and ensure that usage conditions are within the ranges specified by Renesas Electronics with respect to maximum ratings, operating power supply voltage range, heat dissipation characteristics, installation, etc. Renesas Electronics disclaims any and all liability for any malfunctions, failure or accident arising out of the use of Renesas Electronics products outside of such specified ranges.
7. Although Renesas Electronics endeavors to improve the quality and reliability of Renesas Electronics products, semiconductor products have specific characteristics, such as the occurrence of failure at a certain rate and malfunctions under certain use conditions. Unless designated as a high reliability product or a product for harsh environments in a Renesas Electronics data sheet or other Renesas Electronics document, Renesas Electronics products are not subject to radiation resistance design. You are responsible for implementing safety measures to guard against the possibility of bodily injury, injury or damage caused by fire, and/or danger to the public in the event of a failure or malfunction of Renesas Electronics products, such as safety design for hardware and software, including but not limited to redundancy, fire control and malfunction prevention, appropriate treatment for aging degradation or any other appropriate measures. Because the evaluation of microcomputer software alone is very difficult and impractical, you are responsible for evaluating the safety of the final products or systems manufactured by you.
8. Please contact a Renesas Electronics sales office for details as to environmental matters such as the environmental compatibility of each Renesas Electronics product. You are responsible for carefully and sufficiently investigating applicable laws and regulations that regulate the inclusion or use of controlled substances, including without limitation, the EU RoHS Directive, and using Renesas Electronics products in compliance with all these applicable laws and regulations. Renesas Electronics disclaims any and all liability for damages or losses occurring as a result of your noncompliance with applicable laws and regulations.
9. Renesas Electronics products and technologies shall not be used for or incorporated into any products or systems whose manufacture, use, or sale is prohibited under any applicable domestic or foreign laws or regulations. You shall comply with any applicable export control laws and regulations promulgated and administered by the governments of any countries asserting jurisdiction over the parties or transactions.
10. It is the responsibility of the buyer or distributor of Renesas Electronics products, or any other party who distributes, disposes of, or otherwise sells or transfers the product to a third party, to notify such third party in advance of the contents and conditions set forth in this document.
11. This document shall not be reprinted, reproduced or duplicated in any form, in whole or in part, without prior written consent of Renesas Electronics.
12. Please contact a Renesas Electronics sales office if you have any questions regarding the information contained in this document or Renesas Electronics products.
(Note 1) "Renesas Electronics" as used in this document means Renesas Electronics Corporation and also includes its directly or indirectly controlled subsidiaries.
(Note 2) "Renesas Electronics product(s)" means any product developed or manufactured by or for Renesas Electronics.

(Rev.4.0-1 November 2017)



SALES OFFICES

Renesas Electronics Corporation

<http://www.renesas.com>

Refer to "<http://www.renesas.com/>" for the latest and detailed information.

Renesas Electronics America Inc.
1001 Murphy Ranch Road, Milpitas, CA 95035, U.S.A.
Tel: +1-408-432-8888, Fax: +1-408-434-5351

Renesas Electronics Canada Limited
9251 Yonge Street, Suite 8309 Richmond Hill, Ontario Canada L4C 9T3
Tel: +1-905-237-2004

Renesas Electronics Europe Limited
Dukes Meadow, Millboard Road, Bourne End, Buckinghamshire, SL8 5FH, U.K
Tel: +44-1628-651-700, Fax: +44-1628-651-804

Renesas Electronics Europe GmbH
Arcadiastrasse 10, 40472 Düsseldorf, Germany
Tel: +49-211-6503-0, Fax: +49-211-6503-1327

Renesas Electronics (China) Co., Ltd.
Room 1709 Quantum Plaza, No.27 ZhichunLu, Haidian District, Beijing, 100191 P. R. China
Tel: +86-10-8235-1155, Fax: +86-10-8235-7679

Renesas Electronics (Shanghai) Co., Ltd.
Unit 301, Tower A, Central Towers, 555 Langao Road, Putuo District, Shanghai, 200333 P. R. China
Tel: +86-21-2226-0888, Fax: +86-21-2226-0999

Renesas Electronics Hong Kong Limited
Unit 1601-1611, 16/F., Tower 2, Grand Century Place, 193 Prince Edward Road West, Mongkok, Kowloon, Hong Kong
Tel: +852-2265-6688, Fax: +852-2886-9022

Renesas Electronics Taiwan Co., Ltd.
13F, No. 363, Fu Shing North Road, Taipei 10543, Taiwan
Tel: +886-2-8175-9600, Fax: +886-2-8175-9670

Renesas Electronics Singapore Pte. Ltd.
80 Bendemeer Road, Unit #06-02 Hyflux Innovation Centre, Singapore 339949
Tel: +65-6213-0200, Fax: +65-6213-0300

Renesas Electronics Malaysia Sdn.Bhd.
Unit 1207, Block B, Menara Amcorp, Amcorp Trade Centre, No. 18, Jln Persiaran Barat, 46050 Petaling Jaya, Selangor Darul Ehsan, Malaysia
Tel: +60-3-7955-9390, Fax: +60-3-7955-9510

Renesas Electronics India Pvt. Ltd.
No.777C, 100 Feet Road, HAL 2nd Stage, Indiranagar, Bangalore 560 038, India
Tel: +91-80-67208700, Fax: +91-80-67208777

Renesas Electronics Korea Co., Ltd.
17F, KAMCO Yangjae Tower, 262, Gangnam-daero, Gangnam-gu, Seoul, 06265 Korea
Tel: +82-2-558-3737, Fax: +82-2-558-5338