

Dual Audio Potentiometers Deliver Power Savings for Consumer Audio Devices

The new emphasis on power-saving technology means that the low power requirements typical of battery-powered systems are also now desirable on non-battery powered devices. Consumer audio devices can take advantage of 'green' products like stereo volume controllers that integrate a wide range of features and deliver low power. These features can include a push button interface for volume control, built-in click and pop suppression, a $V_{CC}/2$ reference and audio detection circuitry, all in a space saving 4x4 QFN package. Maximizing battery life, while keeping a low cost bill of materials (BOM) and minimal component count, is often a primary objective when designing an audio docking station. Using single supply op amps can simplify design and reduce BOM cost, but require a $V_{CC}/2$ reference. In addition to any volume control and signal processing hardware, special hardware is often added for audio detection and standby mode implementation. It can have a special low power standby mode with a built-in flag output, which allows it to signal to the rest of the system when no audio is present on its input.

Applications include CD/DVD/MP3 players, gaming consoles, notebook PCs, GPS systems, audio docking stations, and others. We will investigate an example application: a state-of-the-art dual audio potentiometer used for stereo volume control in a portable audio docking station.

While the exact makeup of an audio docking station varies from one manufacturer to another, there are several commonalities. A typical device will have an interface to an external audio player or an auxiliary audio source. Once audio is in the device, it is usually filtered, equalized and then attenuated by a volume controller to set the desired volume. Additional signal processing can perform a variety of functions. For example, it can boost or attenuate certain frequency ranges before the audio is fed through the power amplifier to the speakers. Power management hardware is also included to provide necessary voltage rails and to help implement low power standby modes. A block diagram of a typical docking station is shown in Figure 1.

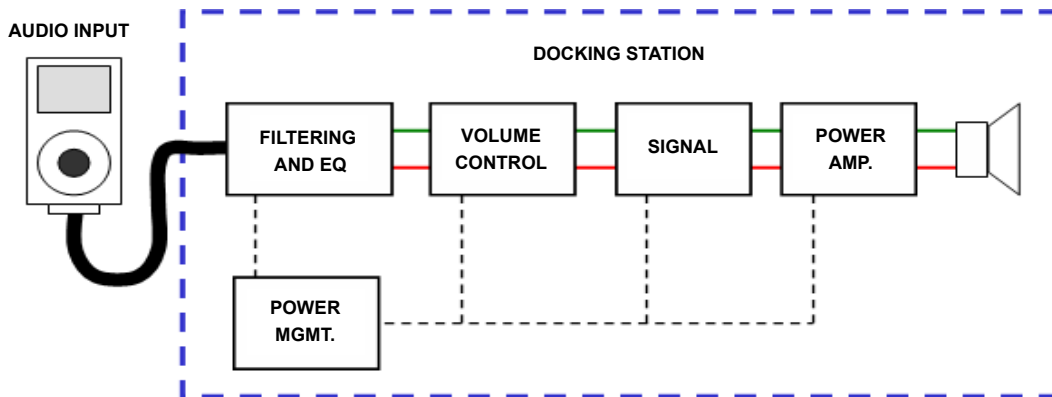


FIGURE 1. AUDIO DOCKING STATION BLOCK DIAGRAM

The optimal stereo volume controller will operate from a 2.7V to 5.5V supply, which allows operation from 2 or 3 alkaline cells, or a regulated power rail. For volume control, the amp should be able to use two digitally controlled potentiometers, each with buffered output wipers. A simple up/down push button interface can control the volume, and internal de-bounce circuitry prevents the volume level from changing inadvertently when a push button has been low for less than 15ms. Ideally, the attenuation range of the volume control hardware is from 0dB to -70dB, with a mute level of -90dB. Audio performance for consumer-grade devices should provide a THD+N level of 0.01%@1kHz and cross talk isolation between channels of -100dB@1kHz. Channel-to-channel variation should be ± 0.1 dB, allowing for precise impedance matching between channels. Click and pop noise during volume transitions, a common problem with audio DCPs, is minimized using internal zero-crossing hardware.

Low power standby modes are enabled quickly and easily by audio detection and standby mode circuitry. The audio detection circuitry monitors all audio inputs (in this case, two), and signals with a flag when no audio input is detected. It is also beneficial to have a low power hibernation mode, in order to bring current draw down to $<400\mu\text{A}$ and preserve power. The flag output can also be used as an external system flag, automatically putting the system into standby mode. This lowers overall power draw of the device, increasing battery life or, in the case of non-battery powered devices, reducing power loss. Of course, when audio is again present on the input, the flag resets, waking the system from its low power mode. To reduce the possibility of audible hiss while in standby, the left and right audio inputs should be disconnected from their DCP arrays and each wiper moved to its maximum attenuation level.

Experimental Data

For demonstration purposes, we have integrated an evaluation board with an off-the-shelf audio docking station. The docking station originally used a mechanical potentiometer for volume control, external volume control buffers, a discretely implemented audio detection circuit and a discretely implemented $V_{CC}/2$ bias generator. A small microcontroller was used to put the system into standby mode when no audio was present on the input. The internal organization of the docking station is similar to that shown in Figure 1.

Before integrating the controller into the docking station, it's important to document the standby operation of the docking station. Figure 2 shows the removal of audio from the docking station's input and its transition into standby mode. In the scope shot, CH1 was the audio input to the docking station and CH2 represented the output of the docking station's audio detection circuitry. When audio was removed, CH2 immediately transitioned low. This input was then fed to a microcontroller, which implemented a timeout feature that put the docking station into sleep mode after ~ 180 s. As the scope shot shows, the input current went from $\sim 50\text{mA}$ with no audio present, down to less than 2mA in standby.

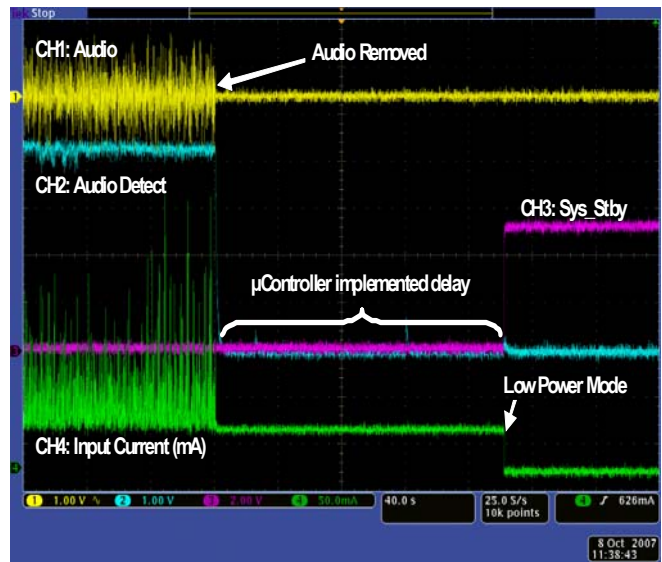


FIGURE 2. LOW POWER MODE WITH DISCRETE SOLUTION

Then, the evaluation board was integrated with the docking station, replacing the mechanical potentiometer, volume buffers and $V_{CC}/2$ reference, and offloading the time delay functionality from the microcontroller. Figure 3 shows the docking station transitioning into low power mode with the ISL22102 as the example device.

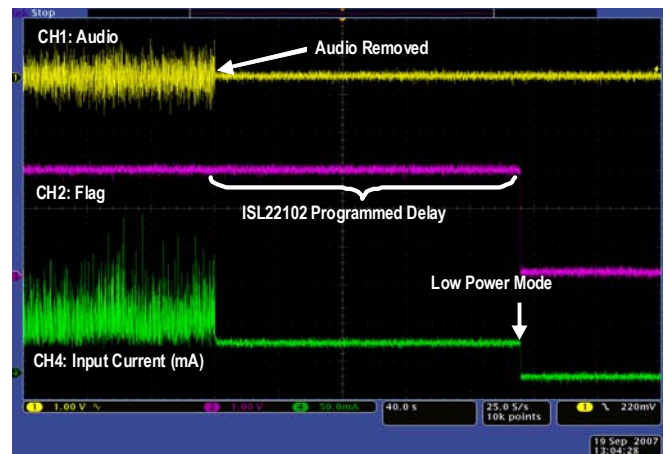


FIGURE 3. LOW POWER MODE WITH ISL22102

As Figure 3 shows, the transition of the docking station into sleep mode was nearly identical. The power draw of the docking station went from $\sim 50\text{mA}$ with no audio present on the input to less than 2mA in standby. The use of the device as a volume controller in place of a discretely implemented solution reduces the BOM by a total of 42 components, while maintaining low power mode functionality. Table 1 shows the component reduction broken down by part and function.

Overall, the growing emphasis on green technology is having a good effect on the entire audio market, plugged and unplugged. Parts like the ISL22102 now sport low power standby modes and hibernation modes to keep from wasting power. These features complement the high-quality audio performance customers demand, creating an integrated solution for a formerly power-hungry audio docking system.

TABLE 1. BOM SAVINGS vs DISCRETE SOLUTION

Sub Circuit	Resistor	Capacitor	FETs	Op-Amps	Diodes	Total
Vcc/2 Bias	2	2	0	1	0	5
Volume Control	1	0	0	0	0	1
Buffer Amps	8	5	0	2	0	15
Audio Detect	6	5	1	1	2	15
Standby	2	2	2	0	0	6
					Total:	42

Notice

1. Descriptions of circuits, software and other related information in this document are provided only to illustrate the operation of semiconductor products and application examples. You are fully responsible for the incorporation or any other use of the circuits, software, and information in the design of your product or system. Renesas Electronics disclaims any and all liability for any losses and damages incurred by you or third parties arising from the use of these circuits, software, or information.
2. Renesas Electronics hereby expressly disclaims any warranties against and liability for infringement or any other claims involving patents, copyrights, or other intellectual property rights of third parties, by or arising from the use of Renesas Electronics products or technical information described in this document, including but not limited to, the product data, drawings, charts, programs, algorithms, and application examples.
3. No license, express, implied or otherwise, is granted hereby under any patents, copyrights or other intellectual property rights of Renesas Electronics or others.
4. You shall not alter, modify, copy, or reverse engineer any Renesas Electronics product, whether in whole or in part. Renesas Electronics disclaims any and all liability for any losses or damages incurred by you or third parties arising from such alteration, modification, copying or reverse engineering.
5. Renesas Electronics products are classified according to the following two quality grades: "Standard" and "High Quality". The intended applications for each Renesas Electronics product depends on the product's quality grade, as indicated below.
"Standard": Computers; office equipment; communications equipment; test and measurement equipment; audio and visual equipment; home electronic appliances; machine tools; personal electronic equipment; industrial robots; etc.
"High Quality": Transportation equipment (automobiles, trains, ships, etc.); traffic control (traffic lights); large-scale communication equipment; key financial terminal systems; safety control equipment; etc.
Unless expressly designated as a high reliability product or a product for harsh environments in a Renesas Electronics data sheet or other Renesas Electronics document, Renesas Electronics products are not intended or authorized for use in products or systems that may pose a direct threat to human life or bodily injury (artificial life support devices or systems; surgical implantations; etc.), or may cause serious property damage (space system; undersea repeaters; nuclear power control systems; aircraft control systems; key plant systems; military equipment; etc.). Renesas Electronics disclaims any and all liability for any damages or losses incurred by you or any third parties arising from the use of any Renesas Electronics product that is inconsistent with any Renesas Electronics data sheet, user's manual or other Renesas Electronics document.
6. When using Renesas Electronics products, refer to the latest product information (data sheets, user's manuals, application notes, "General Notes for Handling and Using Semiconductor Devices" in the reliability handbook, etc.), and ensure that usage conditions are within the ranges specified by Renesas Electronics with respect to maximum ratings, operating power supply voltage range, heat dissipation characteristics, installation, etc. Renesas Electronics disclaims any and all liability for any malfunctions, failure or accident arising out of the use of Renesas Electronics products outside of such specified ranges.
7. Although Renesas Electronics endeavors to improve the quality and reliability of Renesas Electronics products, semiconductor products have specific characteristics, such as the occurrence of failure at a certain rate and malfunctions under certain use conditions. Unless designated as a high reliability product or a product for harsh environments in a Renesas Electronics data sheet or other Renesas Electronics document, Renesas Electronics products are not subject to radiation resistance design. You are responsible for implementing safety measures to guard against the possibility of bodily injury, injury or damage caused by fire, and/or danger to the public in the event of a failure or malfunction of Renesas Electronics products, such as safety design for hardware and software, including but not limited to redundancy, fire control and malfunction prevention, appropriate treatment for aging degradation or any other appropriate measures. Because the evaluation of microcomputer software alone is very difficult and impractical, you are responsible for evaluating the safety of the final products or systems manufactured by you.
8. Please contact a Renesas Electronics sales office for details as to environmental matters such as the environmental compatibility of each Renesas Electronics product. You are responsible for carefully and sufficiently investigating applicable laws and regulations that regulate the inclusion or use of controlled substances, including without limitation, the EU RoHS Directive, and using Renesas Electronics products in compliance with all these applicable laws and regulations. Renesas Electronics disclaims any and all liability for damages or losses occurring as a result of your noncompliance with applicable laws and regulations.
9. Renesas Electronics products and technologies shall not be used for or incorporated into any products or systems whose manufacture, use, or sale is prohibited under any applicable domestic or foreign laws or regulations. You shall comply with any applicable export control laws and regulations promulgated and administered by the governments of any countries asserting jurisdiction over the parties or transactions.
10. It is the responsibility of the buyer or distributor of Renesas Electronics products, or any other party who distributes, disposes of, or otherwise sells or transfers the product to a third party, to notify such third party in advance of the contents and conditions set forth in this document.
11. This document shall not be reprinted, reproduced or duplicated in any form, in whole or in part, without prior written consent of Renesas Electronics.
12. Please contact a Renesas Electronics sales office if you have any questions regarding the information contained in this document or Renesas Electronics products.
(Note 1) "Renesas Electronics" as used in this document means Renesas Electronics Corporation and also includes its directly or indirectly controlled subsidiaries.
(Note 2) "Renesas Electronics product(s)" means any product developed or manufactured by or for Renesas Electronics.

(Rev.4.0-1 November 2017)



SALES OFFICES

Renesas Electronics Corporation

<http://www.renesas.com>

Refer to "<http://www.renesas.com/>" for the latest and detailed information.

Renesas Electronics America Inc.
1001 Murphy Ranch Road, Milpitas, CA 95035, U.S.A.
Tel: +1-408-432-8888, Fax: +1-408-434-5351

Renesas Electronics Canada Limited
9251 Yonge Street, Suite 8309 Richmond Hill, Ontario Canada L4C 9T3
Tel: +1-905-237-2004

Renesas Electronics Europe Limited
Dukes Meadow, Millboard Road, Bourne End, Buckinghamshire, SL8 5FH, U.K
Tel: +44-1628-651-700, Fax: +44-1628-651-804

Renesas Electronics Europe GmbH
Arcadiastrasse 10, 40472 Düsseldorf, Germany
Tel: +49-211-6503-0, Fax: +49-211-6503-1327

Renesas Electronics (China) Co., Ltd.
Room 1709 Quantum Plaza, No.27 ZhichunLu, Haidian District, Beijing, 100191 P. R. China
Tel: +86-10-8235-1155, Fax: +86-10-8235-7679

Renesas Electronics (Shanghai) Co., Ltd.
Unit 301, Tower A, Central Towers, 555 Langao Road, Putuo District, Shanghai, 200333 P. R. China
Tel: +86-21-2226-0888, Fax: +86-21-2226-0999

Renesas Electronics Hong Kong Limited
Unit 1601-1611, 16/F., Tower 2, Grand Century Place, 193 Prince Edward Road West, Mongkok, Kowloon, Hong Kong
Tel: +852-2265-6688, Fax: +852-2886-9022

Renesas Electronics Taiwan Co., Ltd.
13F, No. 363, Fu Shing North Road, Taipei 10543, Taiwan
Tel: +886-2-8175-9600, Fax: +886-2-8175-9670

Renesas Electronics Singapore Pte. Ltd.
80 Bendemeer Road, Unit #06-02 Hyflux Innovation Centre, Singapore 339949
Tel: +65-6213-0200, Fax: +65-6213-0300

Renesas Electronics Malaysia Sdn.Bhd.
Unit 1207, Block B, Menara Amcorp, Amcorp Trade Centre, No. 18, Jln Persiaran Barat, 46050 Petaling Jaya, Selangor Darul Ehsan, Malaysia
Tel: +60-3-7955-9390, Fax: +60-3-7955-9510

Renesas Electronics India Pvt. Ltd.
No.777C, 100 Feet Road, HAL 2nd Stage, Indiranagar, Bangalore 560 038, India
Tel: +91-80-67208700, Fax: +91-80-67208777

Renesas Electronics Korea Co., Ltd.
17F, KAMCO Yangjae Tower, 262, Gangnam-daero, Gangnam-gu, Seoul, 06265 Korea
Tel: +82-2-558-3737, Fax: +82-2-558-5338