

Reflow and PC Board Assembly Effects on Intersil FGA References

Introduction and Background

The Intersil Floating Gate Analog (FGA) technology utilizes a robust stored charge technology borrowed from a standard EEPROM process to produce a precise reference voltage. The stored voltage is the heart of a highly accurate precision voltage reference product. The resulting voltage reference has excellent characteristics which are unique in the industry; very low temperature drift (3ppm/°C), high initial accuracy, and extremely low supply current (<1µA). Also, the reference voltage is not limited to “magic” voltages obtained from Bandgap references or buried Zener diodes to achieve temperature drift cancellation

The floating gate storage cell requires two tunnel diodes to inject charge into a storage capacitor (see Figure 1). The tunnel diodes require high voltage, >10V, to turn on and when unbiased have extremely high impedance and essentially zero charge leakage.

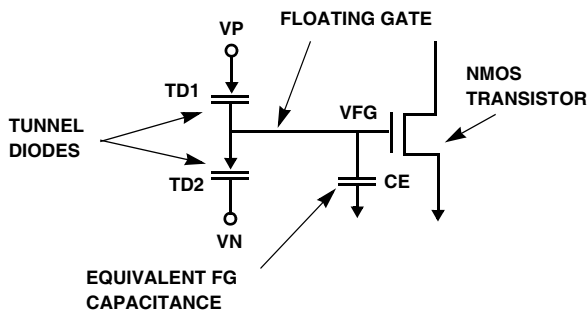


FIGURE 1. FLOATING GATE CELL

The actual voltage reference circuit contains two of the floating gate capacitors and an op amp (see Figure 2). One capacitor sets the common mode voltage and the other sets the output reference voltage. The switches shown in Figure 2 are the tunnel diodes and the V_{CM} and V_{REF} shown are external voltages applied to program the cell at factory test. The output reference voltage is the difference between the common mode and reference capacitors, which allows output voltage flexibility and adds temperature compensation.

The resulting circuit is highly stable, and the supply current is entirely dependent on the op amp, which can be extremely low current (<1µA) for low power or higher current for low noise applications.

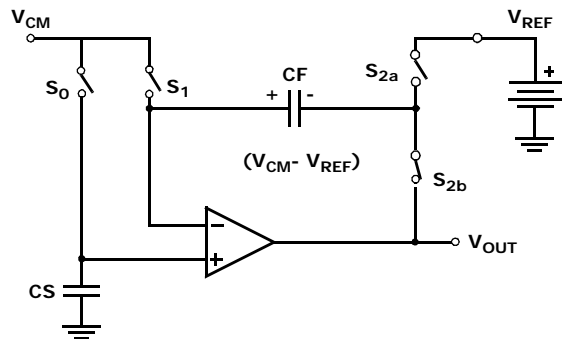


FIGURE 2. FLOATING GATE REFERENCE CIRCUIT SHOWN IN STABLE V_{OUT} STATE

Thermal Considerations

FGA references have thermal hysteresis, similar to bandgap or other reference technologies. As the packaged device goes through a temperature cycle, the package and die will permanently change shape, very slightly, but enough to affect the electrical properties. Multiple cycles will result in different shifts, and after a few cycles the overall change from the initial voltage stabilizes. The data sheet provides a thermal hysteresis specification for temperature excursions within the absolute maximum temperature range. For the ISL21009, for example, there is a typical 50ppm drift over the specified range (-40°C to +125°C), (see Figure 3). There is no maximum specified since the device cannot be tested over multiple cycles at the factory.

The amount of hysteresis shift can be controlled by PC board mounting. It has been proven experimentally that placing the voltage reference package near the PCB edge, especially the shortest edge, or in a corner, will minimize hysteresis effects due to the increased stiffness of the board. A PC board cutout will greatly reduce package stress and hysteresis shift as well.

Board Assembly Considerations

FGA reference PC board mounting exposes the device to temperatures that are outside the recommended operating range and absolute maximum sustained temperature exposure, but within the maximum temperature for the package. The resulting temperature cycle is more extreme than the normal thermal hysteresis stated on the data sheet, and therefore the output voltage shift can exceed the typical thermal hysteresis as well.

To characterize this effect, Intersil tested the ISL21009-50 (5V output) for reflow shift. 10 devices were placed on a 2-sided FR-4 PC board and then exposed to multiple assembly reflow cycles. The results

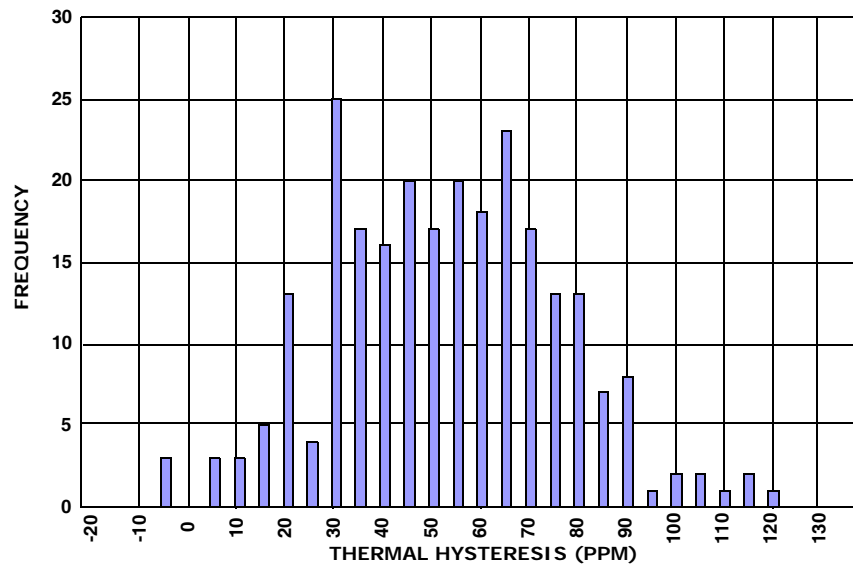


FIGURE 3. ISL21009 TYPICAL THERMAL HYSTERESIS

are shown in Table 1. The average reflow drift is approximately 300 μ V after the first reflow and 400 μ V at each successive reflow. This indicates the thermomechanical effects reach a maximum at some point, with an upper limit on the amount of shift. Although this data shows a consistent positive overall shift, it is possible at any cycle to have the V_{REF} voltage shift negative as well. It should be noted that any shift in the V_{REF} output voltage can place it outside of the specified accuracy range as stated on the data sheet.

TABLE 1. SHIFT AFTER MULTIPLE REFLOW CYCLES (μ V)

UNIT	AFTER 1 REFLOW	AFTER 2ND REFLOW	AFTER 3RD REFLOW	AFTER 4TH REFLOW
1	50	209	204	274
2	365	521	458	414
3	320	459	408	410
4	273	430	397	418
5	295	430	360	349
6	437	579	574	507
7	378	558	574	521
8	300	451	481	468
9	295	416	366	376
10	187	324	326	318

Intersil guarantees that the FGA reference meets the data sheet specification when shipped to the customer, which is consistent with other semiconductor suppliers. Exposure to assembly thermal cycles are outside what can be covered by the data sheet. Note that this is true for all voltage references of various technologies. Intersil has tested other precision voltage references from various suppliers and the results indicate that output voltage shift after reflow is a common trait. Test results are shown in Figure 4.

See Table 2 for a summary of initial accuracy and thermal hysteresis specifications and two-pass reflow test results for these precision reference devices. The right-most column compares the final tested voltage versus the data sheet specification. One device is clearly out of spec and others are very close. Design engineers must take this into account when considering the reference voltage accuracy after assembly.

To minimize assembly reflow shift, reduce the peak reflow temperature below +260 $^{\circ}$ C if possible. Also, a customer may wish to hand solder the voltage reference to the PC board after the assembly process. Careful hand soldering will greatly reduce the peak temperature and exposure time for the package and thus reduce the post-assembly voltage shift. An additional advantage of hand soldering is that, if X-ray inspection is required, the FGA reference will not be subjected to that source of output voltage shift (see the related application note at www.intersil.com).

If there are no physical ways to reduce assembly shift, the customer still has the option of trimming the voltage reference after assembly and at final test. The ISL21007 and ISL21009 devices have a trim pin that allows $\pm 2.5\%$ trim range which is plenty to compensate for these shifts. Please refer to TB473, "Adjusting the ISL21007, ISL21009 V_{OUT} Using the ISL95810", for more information on FGA reference trimming.

Conclusions

The FGA voltage reference provides excellent low power performance and accuracy. The design engineer must be aware of all the thermal aspects of device shift during assembly and normal operation, and plan their design accordingly. With proper planning and design the FGA can yield a highly accurate and stable reference voltage.

TABLE 2. PRECISION VOLTAGE REFERENCE ACCURACY AND HYSTERESIS SPECS AND REFLOW RESULTS

PART	V _{OUT}	INITIAL ACCURACY		THERMAL HYSTERESIS		OUTPUT VOLTAGE RANGE		TWO PASS REFLOW RESULTS		ERROR FROM IDEAL VALUE AFTER REFLOW
		%	mV	ppm	mV	MIN	MAX	V _{INITIAL}	V _{FINAL}	mV
Mfr X1	5.0	0.05%	2.5	N/A	N/A	4.9975	5.0025	4.999365	4.999245	-0.755
Mfr X2	5.0	0.05%	2.5	N/A	N/A	4.9975	5.0025	4.999742	4.999614	-0.386
Mfr Y1	5.0	0.04%	2.0	20	0.100	4.9980	5.0020	5.000663	5.002391	2.391
Mfr Y2	5.0	0.04%	2.0	20	0.100	4.9980	5.0020	5.000445	4.999643	-0.357
Mfr Z1	2.5	0.01%	0.5	15	0.038	2.4995	2.5005	2.500451	2.500225	0.225
Mfr Z2	2.5	0.01%	0.5	15	0.038	2.4995	2.5005	2.500297	2.499862	-0.138
Mfr W	5.0	0.02%	1.0	75	0.375	4.9990	5.0010	5.000790	5.000978	0.978
ISL21009	5.0	0.01%	0.5	50	0.250	4.9995	5.0005	4.999945	5.000396	0.396

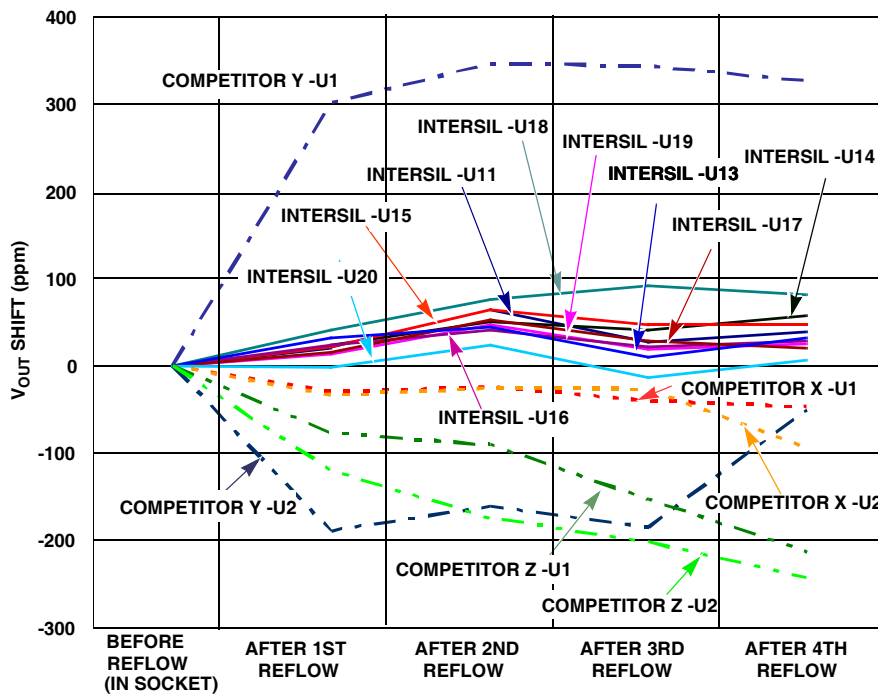


FIGURE 4. REFLOW SHIFT RESULTS FOR INTERSIL FGA AND OTHER REFERENCE TECHNOLOGIES

Notice

1. Descriptions of circuits, software and other related information in this document are provided only to illustrate the operation of semiconductor products and application examples. You are fully responsible for the incorporation or any other use of the circuits, software, and information in the design of your product or system. Renesas Electronics disclaims any and all liability for any losses and damages incurred by you or third parties arising from the use of these circuits, software, or information.
2. Renesas Electronics hereby expressly disclaims any warranties against and liability for infringement or any other claims involving patents, copyrights, or other intellectual property rights of third parties, by or arising from the use of Renesas Electronics products or technical information described in this document, including but not limited to, the product data, drawings, charts, programs, algorithms, and application examples.
3. No license, express, implied or otherwise, is granted hereby under any patents, copyrights or other intellectual property rights of Renesas Electronics or others.
4. You shall not alter, modify, copy, or reverse engineer any Renesas Electronics product, whether in whole or in part. Renesas Electronics disclaims any and all liability for any losses or damages incurred by you or third parties arising from such alteration, modification, copying or reverse engineering.
5. Renesas Electronics products are classified according to the following two quality grades: "Standard" and "High Quality". The intended applications for each Renesas Electronics product depends on the product's quality grade, as indicated below.
"Standard": Computers; office equipment; communications equipment; test and measurement equipment; audio and visual equipment; home electronic appliances; machine tools; personal electronic equipment; industrial robots; etc.
"High Quality": Transportation equipment (automobiles, trains, ships, etc.); traffic control (traffic lights); large-scale communication equipment; key financial terminal systems; safety control equipment; etc.
Unless expressly designated as a high reliability product or a product for harsh environments in a Renesas Electronics data sheet or other Renesas Electronics document, Renesas Electronics products are not intended or authorized for use in products or systems that may pose a direct threat to human life or bodily injury (artificial life support devices or systems; surgical implantations; etc.), or may cause serious property damage (space system; undersea repeaters; nuclear power control systems; aircraft control systems; key plant systems; military equipment; etc.). Renesas Electronics disclaims any and all liability for any damages or losses incurred by you or any third parties arising from the use of any Renesas Electronics product that is inconsistent with any Renesas Electronics data sheet, user's manual or other Renesas Electronics document.
6. When using Renesas Electronics products, refer to the latest product information (data sheets, user's manuals, application notes, "General Notes for Handling and Using Semiconductor Devices" in the reliability handbook, etc.), and ensure that usage conditions are within the ranges specified by Renesas Electronics with respect to maximum ratings, operating power supply voltage range, heat dissipation characteristics, installation, etc. Renesas Electronics disclaims any and all liability for any malfunctions, failure or accident arising out of the use of Renesas Electronics products outside of such specified ranges.
7. Although Renesas Electronics endeavors to improve the quality and reliability of Renesas Electronics products, semiconductor products have specific characteristics, such as the occurrence of failure at a certain rate and malfunctions under certain use conditions. Unless designated as a high reliability product or a product for harsh environments in a Renesas Electronics data sheet or other Renesas Electronics document, Renesas Electronics products are not subject to radiation resistance design. You are responsible for implementing safety measures to guard against the possibility of bodily injury, injury or damage caused by fire, and/or danger to the public in the event of a failure or malfunction of Renesas Electronics products, such as safety design for hardware and software, including but not limited to redundancy, fire control and malfunction prevention, appropriate treatment for aging degradation or any other appropriate measures. Because the evaluation of microcomputer software alone is very difficult and impractical, you are responsible for evaluating the safety of the final products or systems manufactured by you.
8. Please contact a Renesas Electronics sales office for details as to environmental matters such as the environmental compatibility of each Renesas Electronics product. You are responsible for carefully and sufficiently investigating applicable laws and regulations that regulate the inclusion or use of controlled substances, including without limitation, the EU RoHS Directive, and using Renesas Electronics products in compliance with all these applicable laws and regulations. Renesas Electronics disclaims any and all liability for damages or losses occurring as a result of your noncompliance with applicable laws and regulations.
9. Renesas Electronics products and technologies shall not be used for or incorporated into any products or systems whose manufacture, use, or sale is prohibited under any applicable domestic or foreign laws or regulations. You shall comply with any applicable export control laws and regulations promulgated and administered by the governments of any countries asserting jurisdiction over the parties or transactions.
10. It is the responsibility of the buyer or distributor of Renesas Electronics products, or any other party who distributes, disposes of, or otherwise sells or transfers the product to a third party, to notify such third party in advance of the contents and conditions set forth in this document.
11. This document shall not be reprinted, reproduced or duplicated in any form, in whole or in part, without prior written consent of Renesas Electronics.
12. Please contact a Renesas Electronics sales office if you have any questions regarding the information contained in this document or Renesas Electronics products.
(Note 1) "Renesas Electronics" as used in this document means Renesas Electronics Corporation and also includes its directly or indirectly controlled subsidiaries.
(Note 2) "Renesas Electronics product(s)" means any product developed or manufactured by or for Renesas Electronics.

(Rev.4.0-1 November 2017)



SALES OFFICES

Renesas Electronics Corporation

<http://www.renesas.com>

Refer to "<http://www.renesas.com/>" for the latest and detailed information.

Renesas Electronics America Inc.
1001 Murphy Ranch Road, Milpitas, CA 95035, U.S.A.
Tel: +1-408-432-8888, Fax: +1-408-434-5351

Renesas Electronics Canada Limited
9251 Yonge Street, Suite 8309 Richmond Hill, Ontario Canada L4C 9T3
Tel: +1-905-237-2004

Renesas Electronics Europe Limited
Dukes Meadow, Millboard Road, Bourne End, Buckinghamshire, SL8 5FH, U.K
Tel: +44-1628-651-700, Fax: +44-1628-651-804

Renesas Electronics Europe GmbH
Arcadiastrasse 10, 40472 Düsseldorf, Germany
Tel: +49-211-6503-0, Fax: +49-211-6503-1327

Renesas Electronics (China) Co., Ltd.
Room 1709 Quantum Plaza, No.27 ZhichunLu, Haidian District, Beijing, 100191 P. R. China
Tel: +86-10-8235-1155, Fax: +86-10-8235-7679

Renesas Electronics (Shanghai) Co., Ltd.
Unit 301, Tower A, Central Towers, 555 Langao Road, Putuo District, Shanghai, 200333 P. R. China
Tel: +86-21-2226-0888, Fax: +86-21-2226-0999

Renesas Electronics Hong Kong Limited
Unit 1601-1611, 16/F., Tower 2, Grand Century Place, 193 Prince Edward Road West, Mongkok, Kowloon, Hong Kong
Tel: +852-2265-6688, Fax: +852-2886-9022

Renesas Electronics Taiwan Co., Ltd.
13F, No. 363, Fu Shing North Road, Taipei 10543, Taiwan
Tel: +886-2-8175-9600, Fax: +886-2-8175-9670

Renesas Electronics Singapore Pte. Ltd.
80 Bendemeer Road, Unit #06-02 Hyflux Innovation Centre, Singapore 339949
Tel: +65-6213-0200, Fax: +65-6213-0300

Renesas Electronics Malaysia Sdn.Bhd.
Unit 1207, Block B, Menara Amcorp, Amcorp Trade Centre, No. 18, Jln Persiaran Barat, 46050 Petaling Jaya, Selangor Darul Ehsan, Malaysia
Tel: +60-3-7955-9390, Fax: +60-3-7955-9510

Renesas Electronics India Pvt. Ltd.
No.777C, 100 Feet Road, HAL 2nd Stage, Indiranagar, Bangalore 560 038, India
Tel: +91-80-67208700, Fax: +91-80-67208777

Renesas Electronics Korea Co., Ltd.
17F, KAMCO Yangjae Tower, 262, Gangnam-daero, Gangnam-gu, Seoul, 06265 Korea
Tel: +82-2-558-3737, Fax: +82-2-558-5338