

Introduction

Low-Power HCSL (LP-HCSL) was developed to lower the power consumption of traditional HCSL drivers. Other major advantages of LP-HCSL were soon discovered, including better performance driving long traces, easy AC-coupling, reduced board area, easier board routing and Bill of Material (BOM) reduction. These advantages will be discussed in this application note. It is important to note that an HCSL receiver cannot tell the difference between a traditional HCSL driver and a LP-HCSL driver.

IDT has been awarded patents US 7342420 B2, US 7821297 B2 and US 7830177 B2 for this technology.

Functionality

Traditional HCSL outputs steer a constant 15mA current between true and complement outputs of a differential pair. This results in a continuous power consumption of ~50mW from 3.3V for each differential HCSL output pair.

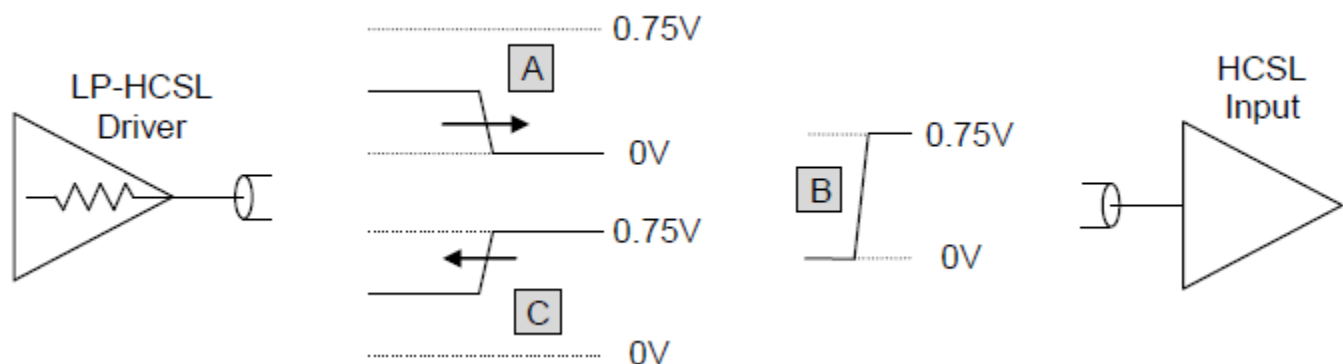
Low Power HCSL uses a push-pull voltage drive as opposed to current drive with traditional HCSL. This results in a current consumption of approximately 4 to 5mA. Supply current flows in the driver only during the time a rising edge is traveling from the driver to the end target and then back to the driver (round trip flight time).

When an output pin moves from 0V to 0.75V the 50Ω output impedance is in series with the 50Ω PCB trace impedance and a current of $0.75/(50+50)=0.0075\text{A}$ or 7.5mA starts flowing out of the output pin. The voltage on the PCB trace is 0.375V and this half high edge travels towards the target (see Figure 1, A). The target impedance is high, so when the rising edge arrives at the target, it rises up twice as high as 0.375V. So, the target input receives a 0.75V rising edge (see Figure 1, B).

At the target the rising edge reflects as another 0.375V edge on top of the 0.375V level already on the trace and travels back to the driver (see Figure 1, C).

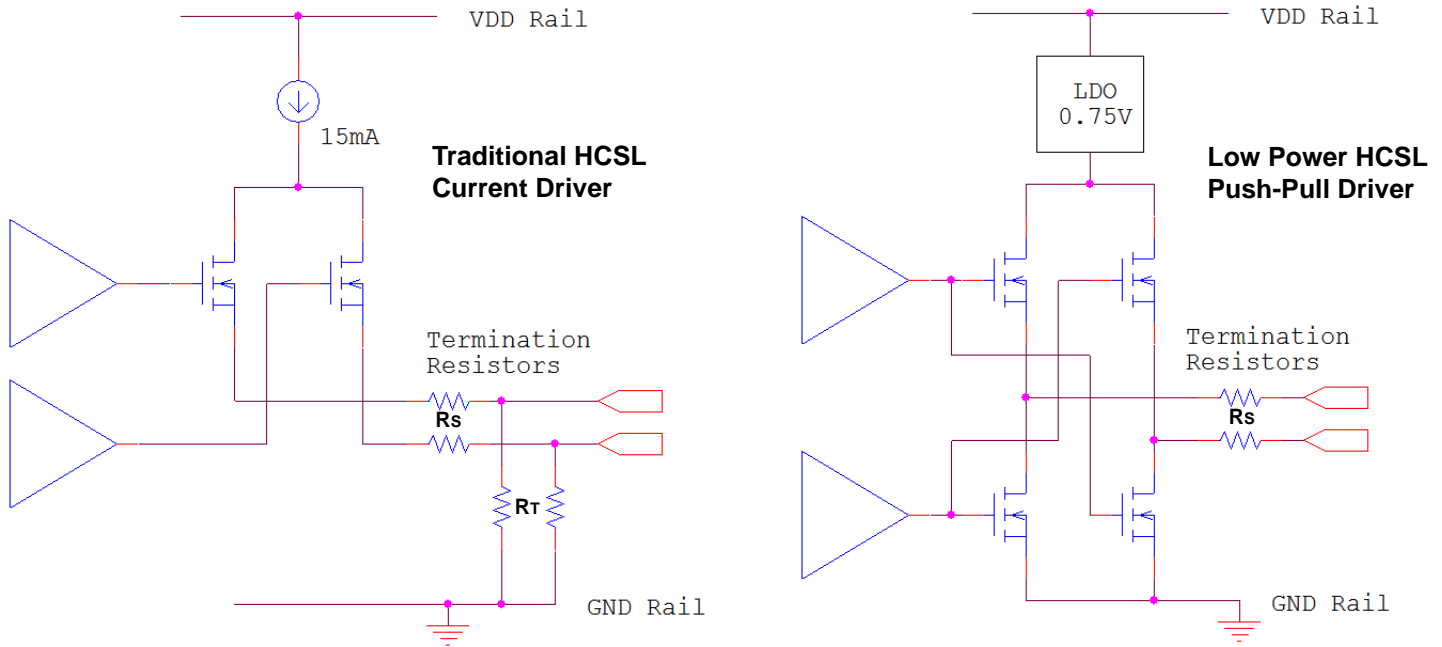
When this edge arrives at the driver, it encounters 50Ω termination and is absorbed. Since the PCB trace voltage is now 0.75V at both the driver and receiver sides of the PCB trace, there will be no more current flowing in the driver output pin. So, the 7.5mA of current only flows for the time it takes for the rising edge to travel from the driver to the target and back. For a 10 inch trace, it takes a rising edge about 2.5ns to travel back and forth. This is only 25% of the total 100MHz cycle so the average current consumption per pin is $7.5\text{mA} / 4 = 1.9\text{mA}$. For both pins of a differential output it then takes 3.8mA to drive a 10 inch differential trace. Adding switching and parasitic losses, the total current per LP-HCSL output pair is about 4mA to 5mA when driving a 10 inch trace.

Figure 1. Rising Edge Traveling Up and Down the PCB Trace



HCSL Driver Topology

Figure 2. Comparing Traditional and Low-Power HCSL Driver Topology



Advantages of LP-HCSL

1) 3x to 9x Lower Power Consumption

We have already seen that the LP-HCSL driver uses 1/3 the current of the traditional HCSL driver (5mA versus 15mA). From Figure 2, we see that the 15mA current source is supplied by the VDD rail of the traditional HCSL device. Practical considerations limit the lower limit of this power rail to 2.5V. The LDO used in the LP-HCSL driver can be powered from any voltage from VDD down to the output voltage + LDO headroom (or 800mV + 250mV = 1.05V). If the traditional HCSL output power supply is 3.3V and the LP-HCSL power supply is 1.05V, we see a 3x reduction in power supply voltage. With 1/3 the current and 1/3 the voltage rail, LP-HCSL can achieve a 9x reduction in power.

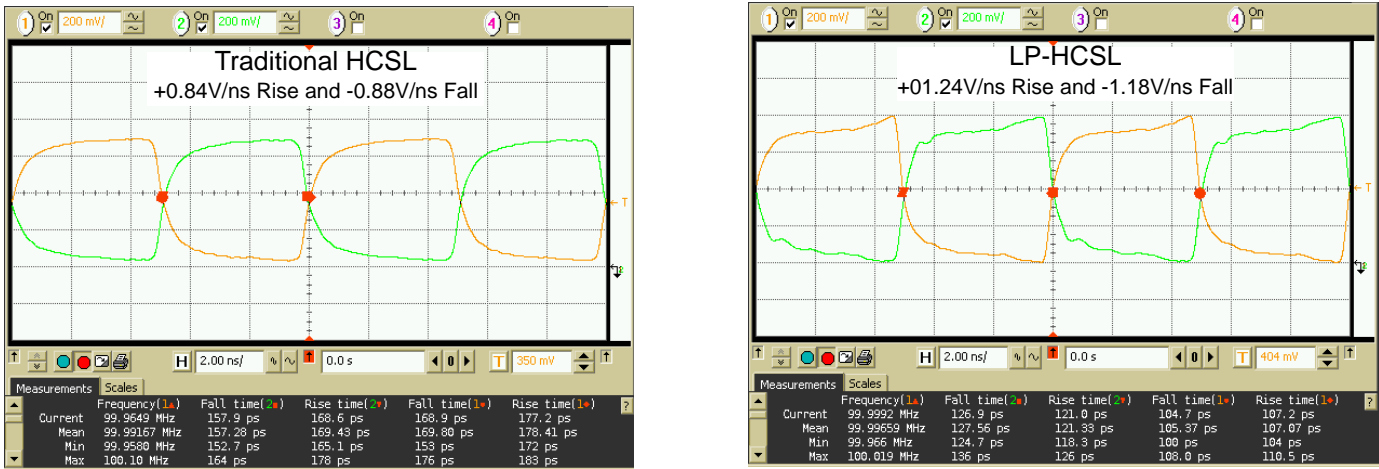
LP-HCSL outputs also allow the output amplitude to be adjusted (up or down) by adjusting the LDO setting. Many IDT LP-HCSL devices allow amplitude adjustment via SMBus registers.

2) Better Drive of Long Traces

PCIe clocks are specified to have slew rates of 0.6V/ns to 4.0V/ns. LP-HCSL outputs provide higher slew rates when driving long traces. A traditional HCSL driver depends upon the external 50Ω termination to make the falling edge of the clock. This makes rise/fall matching more difficult, since only the rising edge of the clock is under control of the traditional HCSL output. The LP-HCSL output controls both the rising and falling edge of the clock. The faster slew rates of LP-HCSL are especially important when driving long PCB traces and/or passing through connectors to other PCBs in the system. Faster slew rates at the start of a long trace will result in faster slew rates at the end of long traces. Faster slew rates at a receiver translate into lower jitter and lower bit error rates.

IDT used a Nelco test board to compare the slew rate of traditional HCSL and LP-HCSL after driving 30-inch traces. From Figure 3, we see that LP-HCSL was observed to be almost 50% faster than traditional HCSL at the end of a 30 inch long trace.

Figure 3. After Passing Through 30 inch Long PCB Trace



Yellow and Green are the true and complementary outputs on the differential output pair. The slew rates are measured in +/-75mV window around the crossing point.

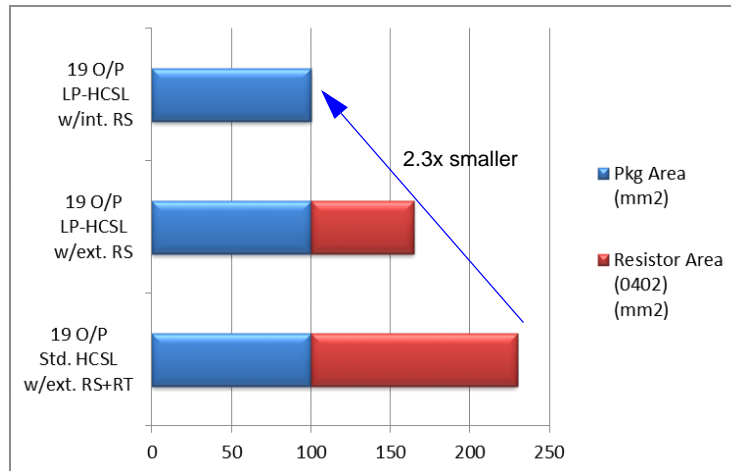
3) Easy AC-Coupling

LP-HCSL does not require a DC coupled termination like traditional HCSL does. You can add capacitors in series with LP-HCSL signals without affecting the signal swing or termination properties. With traditional HCSL care has to be taken that a DC path to ground remains when adding AC coupling and this may require extra components.

4) Smaller Board Area, Easier Board Routing and Reduced Bill of Materials

LP-HCSL outputs do not need the termination resistor to ground. This saves 2 of the 4 termination resistors required by a standard HCSL differential output. IDT also integrates the series termination in some of its LP-HCSL drivers, eliminating all 4 termination resistors, so all that is required is a PCB trace between the driver output and the target input. Power dissipation in the termination resistors prevents their integration in traditional HCSL drivers, especially with a large amount of outputs on one die.

Figure 4. Board Area Savings with LP-HCSL



Traditional HCSL termination uses a 50Ω resistor to ground at the end of the PCB trace. Later, another method was introduced, placing the 50Ω to ground near the driver. This is called “Source Termination” and allows for the clock to pass through connectors that can be unplugged while the circuit is active (hot swapping). LP-HCSL has its termination at the driver side by definition, and it can work with end terminations. This setup is referred to as double termination (more on this in a moment). Source termination versus end termination makes no difference to the receiver.

Figure 5. Traditional HCSL Termination

The series resistors RS are needed to avoid excessive ringing.

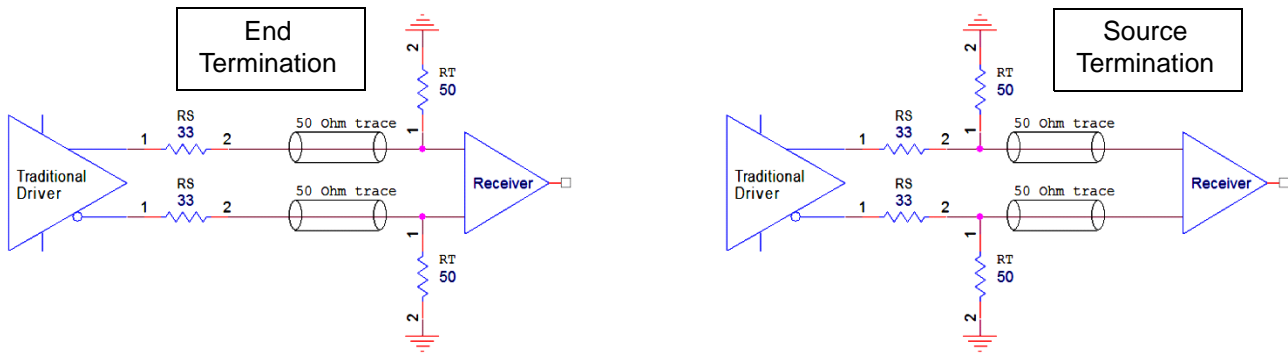
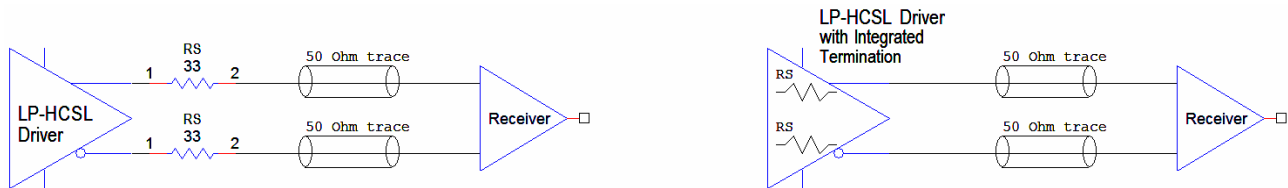


Figure 6. LP-HCSL Termination



The termination resistors (RS) are now in series with the clock line, near the driver. The driver itself is designed to have 17Ω output impedance so it requires another 33Ω to match 50Ω PCB traces. The schematic on the right has the termination resistors integrated so no external components are needed to drive 50Ω PCB traces.

Traditional HCSL doesn't use the driver itself as part of the termination. Besides the 50Ω termination resistor, traditional HCSL needs an additional 33Ω series resistor to avoid a reflection and ringing between the driver and the 50Ω terminated trace. The LP-HCSL concept combines the main termination and ringing avoidance in the same 33Ω series resistor, reducing the parts count.

Certain applications use 85Ω differential traces (or 42.5Ω single ended). For these applications, we recommend RS=27Ω. IDT also offers clocks with the 27Ω RS integrated for 85Ω systems.

Double Termination: Certain receivers may have a 100Ω differential termination resistor in the chip. These receivers are usually more generic, can handle a wide range of amplitudes and common-mode voltages, and may require AC coupling of the clock signals. LP-HCSL drivers can readily drive double terminations. Having termination resistors at both the source and receiver lowers the amplitude to about 400mVpp at each pin (800mVpp differential). Usually it is not a problem for this type receiver to work with the smaller amplitudes. The 400mVpp (800mVpp differential) level even exceeds the 150mVpp (300mVpp differential) input swing spec for PCIe reference clocks.

Conclusion

Low Power HCSL not only reduces power significantly, it also better drives long traces, saves board area, reduces BOM costs, and more easily drives AC-coupled transmission lines. This makes Low Power HCSL the choice for future designs.

Table 1: Traditional HCSL versus Low Power HCSL Overview

	Traditional HCSL	LP-HCSL
Power Supply Current per driver	15mA	4 ~ 5mA
Available output driver VDD voltages	Down to 2.5V	Down to 1.05V
Slew Rate after 30" PCB trace	0.8V/ns	1.2V/ns
Passives required per differential output	4 resistors	None for integrated termination

Notice

1. Descriptions of circuits, software and other related information in this document are provided only to illustrate the operation of semiconductor products and application examples. You are fully responsible for the incorporation or any other use of the circuits, software, and information in the design of your product or system. Renesas Electronics disclaims any and all liability for any losses and damages incurred by you or third parties arising from the use of these circuits, software, or information.
2. Renesas Electronics hereby expressly disclaims any warranties against and liability for infringement or any other claims involving patents, copyrights, or other intellectual property rights of third parties, by or arising from the use of Renesas Electronics products or technical information described in this document, including but not limited to, the product data, drawings, charts, programs, algorithms, and application examples.
3. No license, express, implied or otherwise, is granted hereby under any patents, copyrights or other intellectual property rights of Renesas Electronics or others.
4. You shall be responsible for determining what licenses are required from any third parties, and obtaining such licenses for the lawful import, export, manufacture, sales, utilization, distribution or other disposal of any products incorporating Renesas Electronics products, if required.
5. You shall not alter, modify, copy, or reverse engineer any Renesas Electronics product, whether in whole or in part. Renesas Electronics disclaims any and all liability for any losses or damages incurred by you or third parties arising from such alteration, modification, copying or reverse engineering.
6. Renesas Electronics products are classified according to the following two quality grades: "Standard" and "High Quality". The intended applications for each Renesas Electronics product depends on the product's quality grade, as indicated below.
 - "Standard": Computers; office equipment; communications equipment; test and measurement equipment; audio and visual equipment; home electronic appliances; machine tools; personal electronic equipment; industrial robots; etc.
 - "High Quality": Transportation equipment (automobiles, trains, ships, etc.); traffic control (traffic lights); large-scale communication equipment; key financial terminal systems; safety control equipment; etc.
- Unless expressly designated as a high reliability product or a product for harsh environments in a Renesas Electronics data sheet or other Renesas Electronics document, Renesas Electronics products are not intended or authorized for use in products or systems that may pose a direct threat to human life or bodily injury (artificial life support devices or systems; surgical implantations; etc.), or may cause serious property damage (space system; undersea repeaters; nuclear power control systems; aircraft control systems; key plant systems; military equipment; etc.). Renesas Electronics disclaims any and all liability for any damages or losses incurred by you or any third parties arising from the use of any Renesas Electronics product that is inconsistent with any Renesas Electronics data sheet, user's manual or other Renesas Electronics document.
7. No semiconductor product is absolutely secure. Notwithstanding any security measures or features that may be implemented in Renesas Electronics hardware or software products, Renesas Electronics shall have absolutely no liability arising out of any vulnerability or security breach, including but not limited to any unauthorized access to or use of a Renesas Electronics product or a system that uses a Renesas Electronics product. RENESAS ELECTRONICS DOES NOT WARRANT OR GUARANTEE THAT RENESAS ELECTRONICS PRODUCTS, OR ANY SYSTEMS CREATED USING RENESAS ELECTRONICS PRODUCTS WILL BE INVULNERABLE OR FREE FROM CORRUPTION, ATTACK, VIRUSES, INTERFERENCE, HACKING, DATA LOSS OR THEFT, OR OTHER SECURITY INTRUSION ("Vulnerability Issues"). RENESAS ELECTRONICS DISCLAIMS ANY AND ALL RESPONSIBILITY OR LIABILITY ARISING FROM OR RELATED TO ANY VULNERABILITY ISSUES. FURTHERMORE, TO THE EXTENT PERMITTED BY APPLICABLE LAW, RENESAS ELECTRONICS DISCLAIMS ANY AND ALL WARRANTIES, EXPRESS OR IMPLIED, WITH RESPECT TO THIS DOCUMENT AND ANY RELATED OR ACCOMPANYING SOFTWARE OR HARDWARE, INCLUDING BUT NOT LIMITED TO THE IMPLIED WARRANTIES OF MERCHANTABILITY, OR FITNESS FOR A PARTICULAR PURPOSE.
8. When using Renesas Electronics products, refer to the latest product information (data sheets, user's manuals, application notes, "General Notes for Handling and Using Semiconductor Devices" in the reliability handbook, etc.), and ensure that usage conditions are within the ranges specified by Renesas Electronics with respect to maximum ratings, operating power supply voltage range, heat dissipation characteristics, installation, etc. Renesas Electronics disclaims any and all liability for any malfunctions, failure or accident arising out of the use of Renesas Electronics products outside of such specified ranges.
9. Although Renesas Electronics endeavors to improve the quality and reliability of Renesas Electronics products, semiconductor products have specific characteristics, such as the occurrence of failure at a certain rate and malfunctions under certain use conditions. Unless designated as a high reliability product or a product for harsh environments in a Renesas Electronics data sheet or other Renesas Electronics document, Renesas Electronics products are not subject to radiation resistance design. You are responsible for implementing safety measures to guard against the possibility of bodily injury, injury or damage caused by fire, and/or danger to the public in the event of a failure or malfunction of Renesas Electronics products, such as safety design for hardware and software, including but not limited to redundancy, fire control and malfunction prevention, appropriate treatment for aging degradation or any other appropriate measures. Because the evaluation of microcomputer software alone is very difficult and impractical, you are responsible for evaluating the safety of the final products or systems manufactured by you.
10. Please contact a Renesas Electronics sales office for details as to environmental matters such as the environmental compatibility of each Renesas Electronics product. You are responsible for carefully and sufficiently investigating applicable laws and regulations that regulate the inclusion or use of controlled substances, including without limitation, the EU RoHS Directive, and using Renesas Electronics products in compliance with all these applicable laws and regulations. Renesas Electronics disclaims any and all liability for damages or losses occurring as a result of your noncompliance with applicable laws and regulations.
11. Renesas Electronics products and technologies shall not be used for or incorporated into any products or systems whose manufacture, use, or sale is prohibited under any applicable domestic or foreign laws or regulations. You shall comply with any applicable export control laws and regulations promulgated and administered by the governments of any countries asserting jurisdiction over the parties or transactions.
12. It is the responsibility of the buyer or distributor of Renesas Electronics products, or any other party who distributes, disposes of, or otherwise sells or transfers the product to a third party, to notify such third party in advance of the contents and conditions set forth in this document.
13. This document shall not be reprinted, reproduced or duplicated in any form, in whole or in part, without prior written consent of Renesas Electronics.
14. Please contact a Renesas Electronics sales office if you have any questions regarding the information contained in this document or Renesas Electronics products.

(Note1) "Renesas Electronics" as used in this document means Renesas Electronics Corporation and also includes its directly or indirectly controlled subsidiaries.

(Note2) "Renesas Electronics product(s)" means any product developed or manufactured by or for Renesas Electronics.

(Rev.5.0-1 October 2020)

Corporate Headquarters

TOYOSU FORESIA, 3-2-24 Toyosu,
Koto-ku, Tokyo 135-0061, Japan
www.renesas.com

Trademarks

Renesas and the Renesas logo are trademarks of Renesas Electronics Corporation. All trademarks and registered trademarks are the property of their respective owners.

Contact Information

For further information on a product, technology, the most up-to-date version of a document, or your nearest sales office, please visit:
www.renesas.com/contact/