

Introduction

The aim of this app note is to create a parking assistant device using a GreenPAK Programmable Mixed-Signal ASIC and the **SHARP GP2Y0A60SZLF** distance measuring sensor.

Many modern vehicles come with this feature, but the techniques described in this app note will allow anyone to create their own removable parking assistant device.

Theory behind sensing

The GP2Y0A60SZLF sensor is a distance-measuring component with an operational range between 10-150 cm. It includes a signal processing circuit and has a small size of 22 x 8.0 x 7.2mm. Its analog output makes it a great fit for the GreenPAK to work with.

This sensor works by measuring the light reflected off of the surface of an object to determine the object's distance from our sensor. Neither temperature, variation of the reflectivity of the object, nor duration of the reading influence the measurements.

The GP2Y0A60SZLF can be purchased in a **module** with the necessary circuit components included, as shown in Figure 1. If the user purchases the sensor separately, they will need to include the circuitry shown in Figure 2.



Figure 1. GP2Y0A60SZLF Analog Distance Sensor

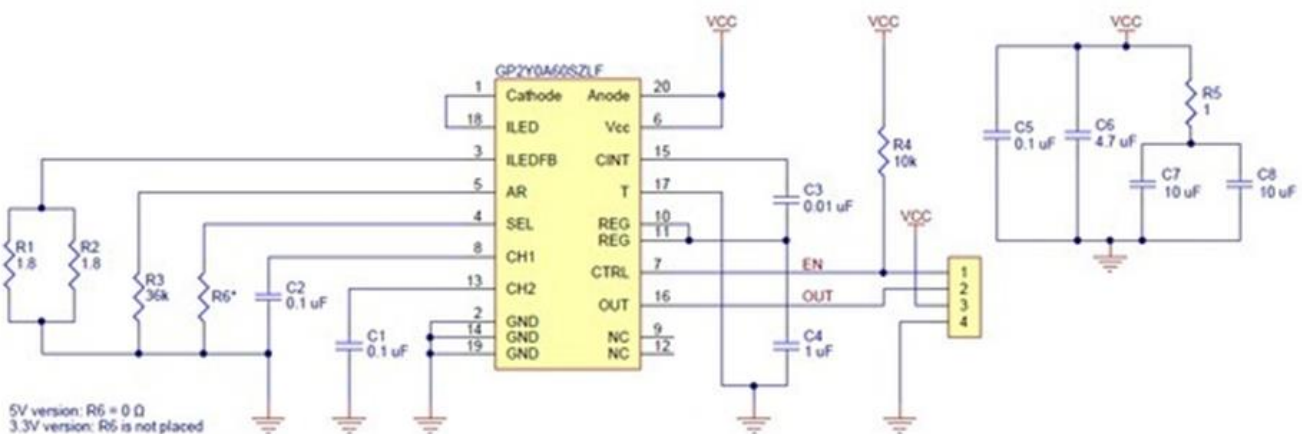


Figure 2. Sensor circuitry

The GP2Y0A60SZLF datasheet provides the graph shown in figure 3, depicting the voltages given as an output of the sensor in presence of a white sheet of paper.

Addressing different materials

Since every material has different reflection characteristics, the versatility of this sensor becomes a concern and needs verification.

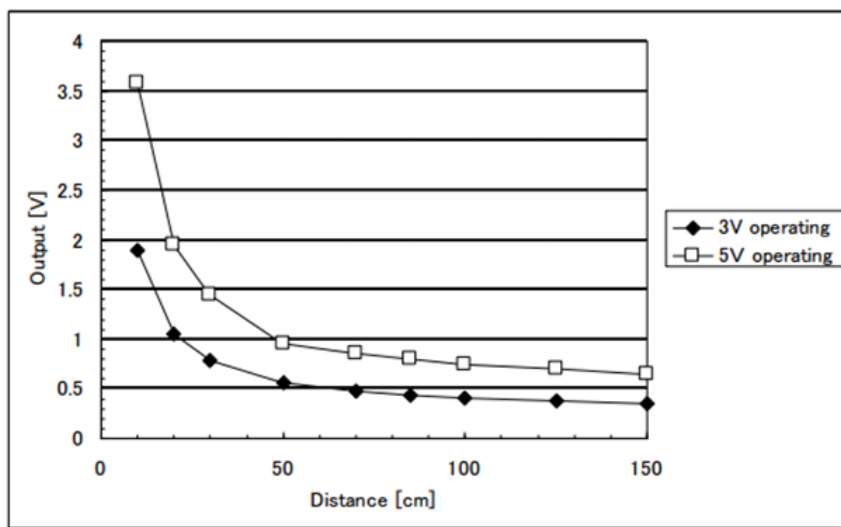


Figure 3. Output voltage graph

Concrete Green		Wood		Plastic (Black)		Cloth (Jeans)		Car (white)	
Distance	Voltage	Distance	Voltage	Distance	Voltage	Distance	Voltage	Distance	Voltage
5	4.25	5	4.25	5	4.18	5	4.2	5	4.27
10	3.45	10	3.29	10	3.07	10	3.36	10	3.39
20	1.85	20	2.27	20	2.04	20	2.18	20	1.98
30	1.42	30	1.77	30	1.63	30	1.6	30	1.53
40	1.17	40	1.44	40	1.36	40	1.28	40	1.26
50	1.05	50	1.3	50	1.2	50	1.14	50	1.18
60	0.97	60	1.17	60	1.08	60	1.03	60	1.06
70	0.91	70	1.04	70	1.03	70	0.98	70	0.98
80	0.88	80	0.96	80	0.98	80	0.93	80	0.91
90	0.85	90	0.92	90	0.9	90	0.89	90	0.86
100	0.8	100	0.86	100	0.82	100	0.86	100	0.79

Figure 4. Comparative table of voltage from different materials

Cars come in different shapes, sizes, and colors, so we charted the sensor’s behavior in front of different materials to make sure it is compatible with as many materials as possible. Figure 4 table shows our results, which are displayed as a graph in Figure 5.

Developing the GreenPAK file

To start testing the device we will stick to the output voltages given in the datasheet (Figure 3). Fortunately, the values remain similar according to distance regardless of which material.

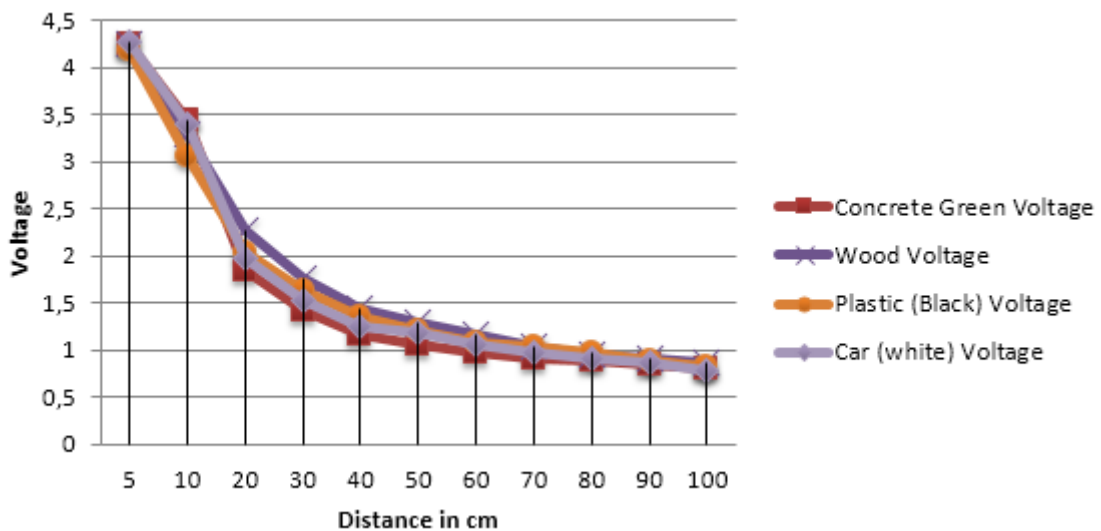


Figure 5. Voltage graph

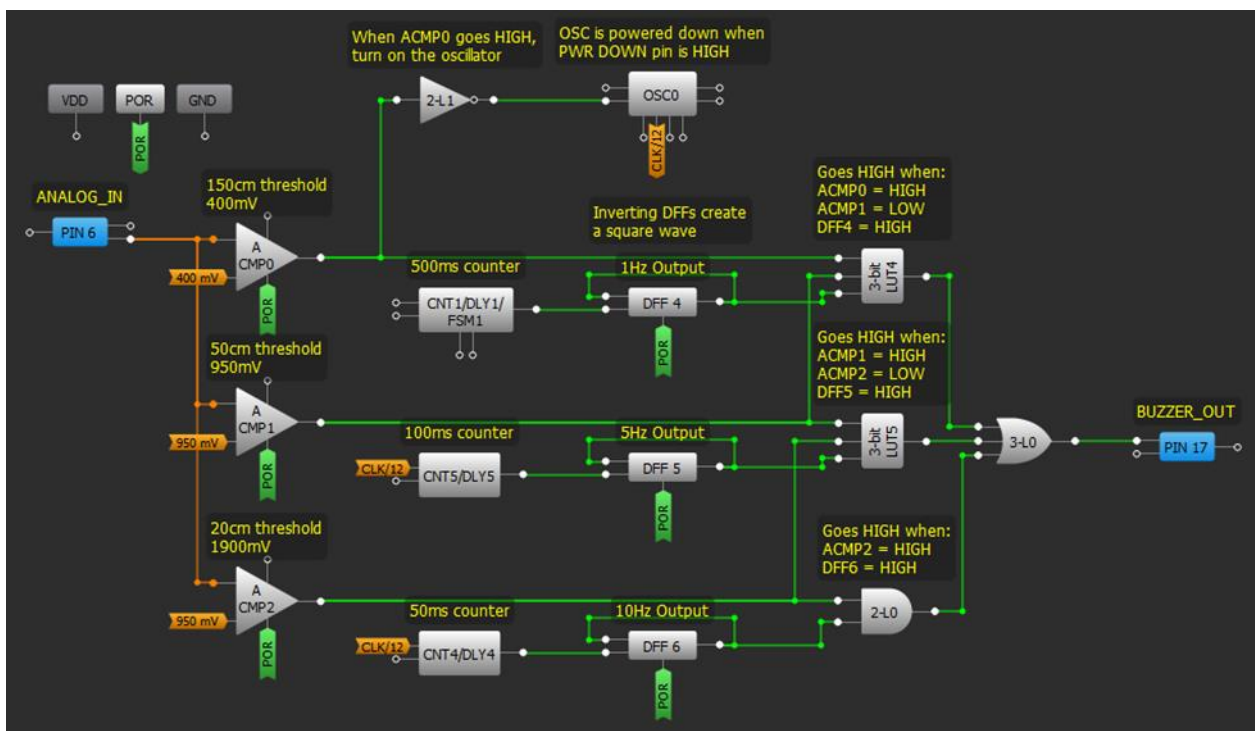


Figure 6. GreenPAK Designer circuit

For now, we will select the following distances:

- 20 cm should give us an output voltage of 1.9 V
- 50 cm should give us an output voltage of 0.95 V
- 150 cm should give us an output voltage of 0.50 V

All of the values used in the .gp file were chosen from the Datasheet. Nevertheless, the practical characterization of the sensor using other materials tells us that there is no real significant difference in the voltage of the readings. Therefore it is possible to use the graph in the datasheet to apply this app note concept to get a good general distance sensor. If needed, it can be adjusted to work with a certain material under certain conditions.

The alarm will go off under the following conditions:

- 150cm distance will make a beeping sound with a frequency of 1 Hz
- 50cm distance will make a beeping sound with a frequency of 5 Hz
- 20cm distance will make a beeping sound with a frequency of 10 Hz

Pin 6 in the GreenPAK design is connected to all 3 of the analog comparators as shown in Figure 6. Thanks to the ACMP gain options, the user can select threshold values from 50mV to 4.8V.

To create the 3 different buzzer frequencies, we used one counter and one inverting D-flip flop per buzzer. For instance, CNT1 outputs a pulse every 500ms. Those pulses clock inverting DFF4, which creates a 1Hz square wave. The same technique was used to create a 5Hz and 10Hz square wave.

Figure 7 illustrates the functionality of the design.

Channel 1: Pin 6 (ANALOG_IN)

Channel 2: Pin 17 (BUZZER_OUT)

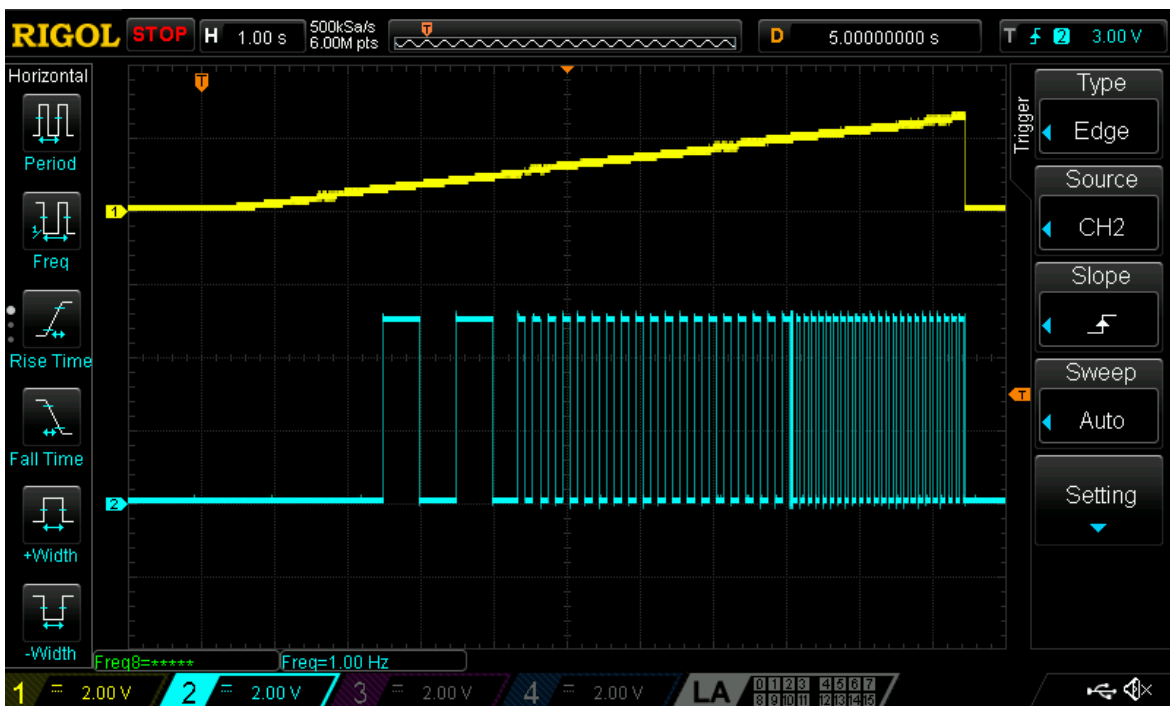


Figure 7. PIN6 and PIN17 waveforms

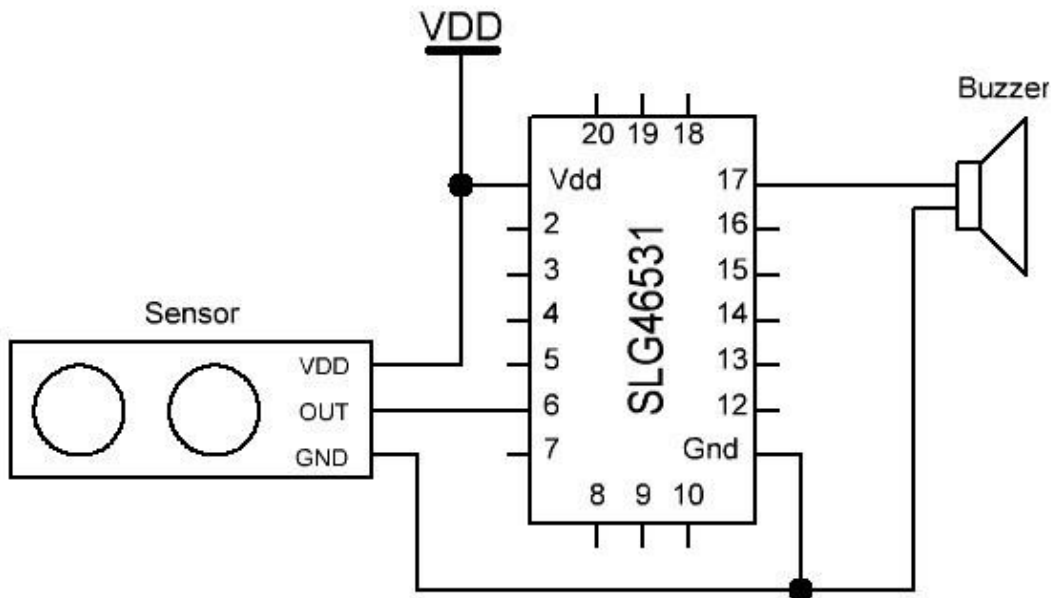


Figure 8. General schematic

Schematic

The whole system consists of the GreenPAK, the GP2Y0A60SZLF proximity sensor and a 5 Volt Buzzer. Figure 8 shows how the circuit needs to be connected.

Conclusion

This App note explores the capabilities of the GreenPAK in the automotive industry. Using a simple and reliable design, this system can be implemented in newer models as well as in a standalone system that can be integrated into older models.

The differences in the voltage readings between different materials are small, which enable us to generalize the values without having to worry about the material of the object in proximity to the automobile.

The core design presented in this app note can be modified to fit different requirements without much trouble, and it would still be reliable with most materials.

This design did not consume all of the internal resources of the GreenPAK chip, so the user can add additional functionality to this design if desired.

IMPORTANT NOTICE AND DISCLAIMER

RENESAS ELECTRONICS CORPORATION AND ITS SUBSIDIARIES (“RENESAS”) PROVIDES TECHNICAL SPECIFICATIONS AND RELIABILITY DATA (INCLUDING DATASHEETS), DESIGN RESOURCES (INCLUDING REFERENCE DESIGNS), APPLICATION OR OTHER DESIGN ADVICE, WEB TOOLS, SAFETY INFORMATION, AND OTHER RESOURCES “AS IS” AND WITH ALL FAULTS, AND DISCLAIMS ALL WARRANTIES, EXPRESS OR IMPLIED, INCLUDING, WITHOUT LIMITATION, ANY IMPLIED WARRANTIES OF MERCHANTABILITY, FITNESS FOR A PARTICULAR PURPOSE, OR NON-INFRINGEMENT OF THIRD PARTY INTELLECTUAL PROPERTY RIGHTS.

These resources are intended for developers skilled in the art designing with Renesas products. You are solely responsible for (1) selecting the appropriate products for your application, (2) designing, validating, and testing your application, and (3) ensuring your application meets applicable standards, and any other safety, security, or other requirements. These resources are subject to change without notice. Renesas grants you permission to use these resources only for development of an application that uses Renesas products. Other reproduction or use of these resources is strictly prohibited. No license is granted to any other Renesas intellectual property or to any third party intellectual property. Renesas disclaims responsibility for, and you will fully indemnify Renesas and its representatives against, any claims, damages, costs, losses, or liabilities arising out of your use of these resources. Renesas' products are provided only subject to Renesas' Terms and Conditions of Sale or other applicable terms agreed to in writing. No use of any Renesas resources expands or otherwise alters any applicable warranties or warranty disclaimers for these products.

(Rev.1.0 Mar 2020)

Corporate Headquarters

TOYOSU FORESIA, 3-2-24 Toyosu,
Koto-ku, Tokyo 135-0061, Japan
www.renesas.com

Contact Information

For further information on a product, technology, the most up-to-date version of a document, or your nearest sales office, please visit:
www.renesas.com/contact/

Trademarks

Renesas and the Renesas logo are trademarks of Renesas Electronics Corporation. All trademarks and registered trademarks are the property of their respective owners.