

**Introduction**

Have you ever wanted to be a wizard that has a cool staff with glowing magic crystals? Sorry to break it to you but there is no such staff. There is however a way to make something fairly similar using GreenPAK.

This app-note describes a project that is called "Gandalf's Staff". It comprises a pulsing RGB LED at the end, controlled by a SLG46620V IC, and a 3-axis accelerometer sensor. A video, displaying and describing this project can be seen at:

<https://www.youtube.com/watch?v=yJnPO0zSoD4>

**Color Changing Circuit**

For Gandalf's staff an RGB LED has been used to allow the color to have 4 possible variations: red, blue, green, and white. Each of the four LEDs that are used were attached to three separate pins at their cathodes and were tied to the V<sub>DD</sub> at their common anodes. A simple state machine, made with D flip-flops and lookup tables is designed to cycle between the four colors. The A' LUT configuration truth table is shown in Fig. 2. The state machine is clocked by an analog comparator tied to the z axis of the accelerometer. Since there were problems being faced with the state machine cycling through multiple colors (rather than one at a time), the output of the analog comparator was de-bounced with a rising edge detector (P DLY0) and a 96.064 MS delay (CNT3/DLY3) before it went to the CLK of the D flip-flops. Refer to Fig. 3 for a view of the circuit in GreenPAK Designer.



**Figure 1. Gandalf's Staff**

3-bit LUT0				
IN3	IN2	IN1	IN0	OUT
0	0	0	0	1
0	0	0	1	0
0	0	1	0	0
0	0	1	1	0
0	1	0	0	1
0	1	0	1	0
0	1	1	0	0
0	1	1	1	1

**Figure 2. A' LUT truth table**

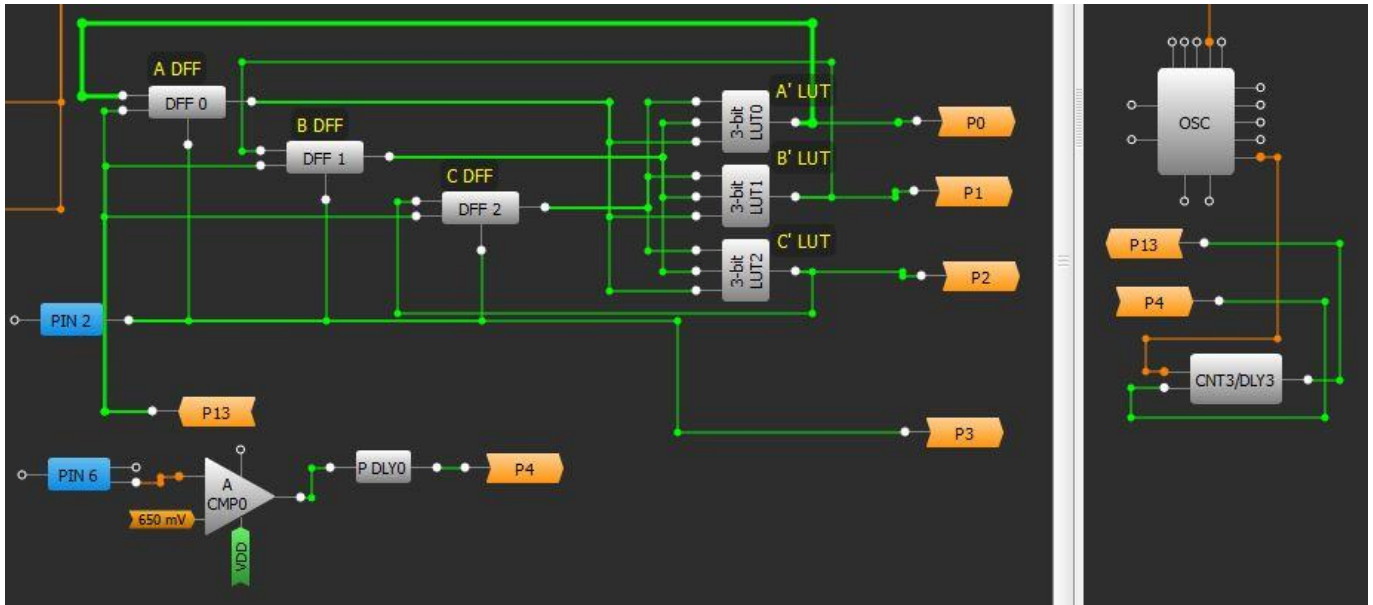


Figure 3. Color changing circuit design

### Pulse Control Circuit

The LED pulse in Gandalf's staff is produced by a triangle wave made inside the GreenPAK. It is controlled by FSM/counters connected to a PWM. The first FSM counts to a set number. It then clocks the second FSM via the Oscillator (OSC) and produces a longer saw-tooth wave. The saw-tooth wave is refined into a triangle wave by an inverting matrix. This inverting matrix is made with an XOR gate that takes inputs from the digital comparator, the second FSM processed by an edge detector and a toggling D flip-flop.

In order to control the pulse speed by the accelerometer, a differential input programmable gain amplifier (PGA) was used. It was able to send an analog signal to the ADC (Analog to digital converter). Since the PGA only accepts voltages up to 1V, 200kΩ trip pots were used to divide the x and y outputs of the accelerometer to values below 1V. The ADC outputs an 8-bit code to the FSM which is read as FSM data. The highest 8-bit value is sent when the staff is upright and that results in the slowest pulse.

As the staff is tilted, a lower 8-bit value is sent to the FSM which results in a faster pulsing speed until it is upside down and at its highest frequency. See Fig. 5 for a view of this circuit in Designer.

### LED Output Circuit

Each of the LEDs have three cathode inputs, and assigned to each of these inputs are 3-bit NAND gates. The triangle wave output of the pulse control circuit is sent to each of the NAND gates. Each NAND gate also takes an input from its correlating output of the state machine and the enable from Pin 2. When the enable and the correlating output from the state machine is on, the LED flashes to the pulse of the pulse control circuit. A NAND gate has been used because the LED has a common anode (and separate cathodes) to determine the color to be output. To fully light up one of the colors, the cathode needs to be set to ground. The enable was included in the output circuit to allow the turning off of the LED. Refer to Fig. 4 for a view of the circuit in GreenPAK Designer.

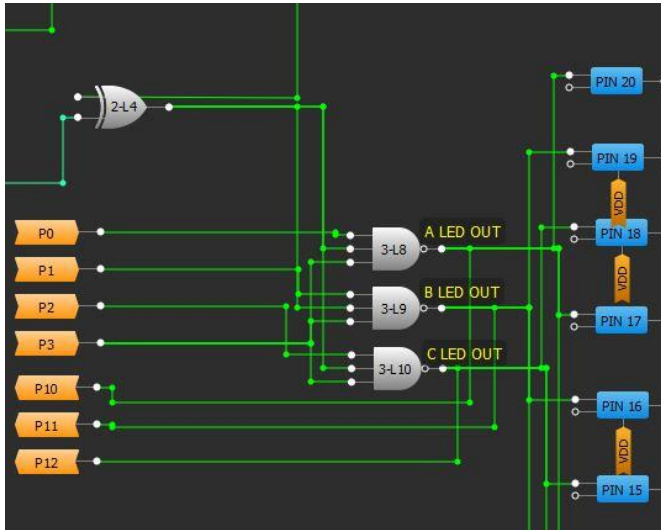


Figure 4. LED output circuit design

**Conclusion**

Using a SLG46620V GreenPAK IC, a fun accessory can be made to accompany a costume for a Halloween party, Comic-Con, or whatever occasion that calls for a wizard. This way, even an engineer can prove to their friends that they too can have some fun!

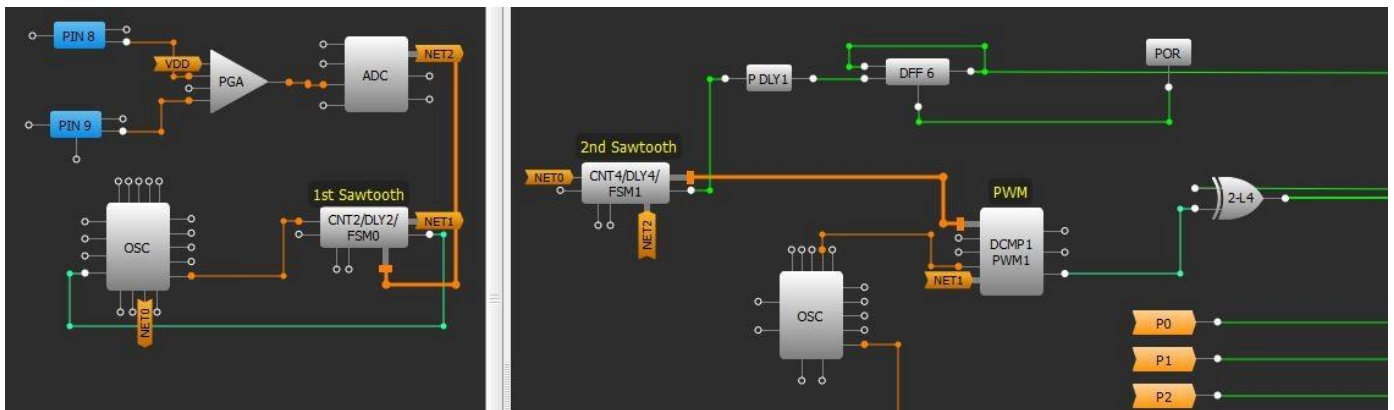


Figure 5. Pulse control circuit design

## IMPORTANT NOTICE AND DISCLAIMER

RENESAS ELECTRONICS CORPORATION AND ITS SUBSIDIARIES (“RENESAS”) PROVIDES TECHNICAL SPECIFICATIONS AND RELIABILITY DATA (INCLUDING DATASHEETS), DESIGN RESOURCES (INCLUDING REFERENCE DESIGNS), APPLICATION OR OTHER DESIGN ADVICE, WEB TOOLS, SAFETY INFORMATION, AND OTHER RESOURCES “AS IS” AND WITH ALL FAULTS, AND DISCLAIMS ALL WARRANTIES, EXPRESS OR IMPLIED, INCLUDING, WITHOUT LIMITATION, ANY IMPLIED WARRANTIES OF MERCHANTABILITY, FITNESS FOR A PARTICULAR PURPOSE, OR NON-INFRINGEMENT OF THIRD PARTY INTELLECTUAL PROPERTY RIGHTS.

These resources are intended for developers skilled in the art designing with Renesas products. You are solely responsible for (1) selecting the appropriate products for your application, (2) designing, validating, and testing your application, and (3) ensuring your application meets applicable standards, and any other safety, security, or other requirements. These resources are subject to change without notice. Renesas grants you permission to use these resources only for development of an application that uses Renesas products. Other reproduction or use of these resources is strictly prohibited. No license is granted to any other Renesas intellectual property or to any third party intellectual property. Renesas disclaims responsibility for, and you will fully indemnify Renesas and its representatives against, any claims, damages, costs, losses, or liabilities arising out of your use of these resources. Renesas' products are provided only subject to Renesas' Terms and Conditions of Sale or other applicable terms agreed to in writing. No use of any Renesas resources expands or otherwise alters any applicable warranties or warranty disclaimers for these products.

(Rev.1.0 Mar 2020)

### Corporate Headquarters

TOYOSU FORESIA, 3-2-24 Toyosu,  
Koto-ku, Tokyo 135-0061, Japan  
[www.renesas.com](http://www.renesas.com)

### Contact Information

For further information on a product, technology, the most up-to-date version of a document, or your nearest sales office, please visit:  
[www.renesas.com/contact/](http://www.renesas.com/contact/)

### Trademarks

Renesas and the Renesas logo are trademarks of Renesas Electronics Corporation. All trademarks and registered trademarks are the property of their respective owners.