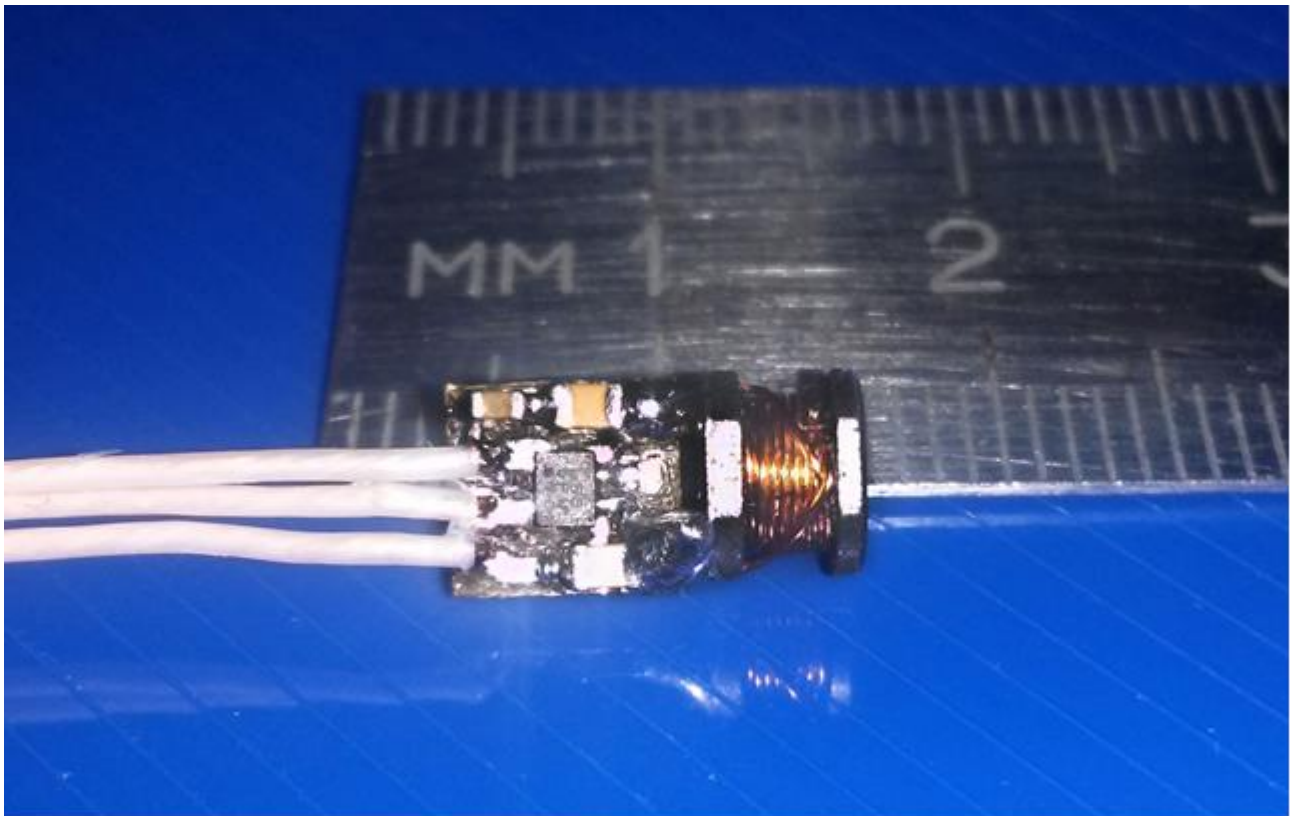


## Introduction

This GreenPAK application describes a short range metal detector useful for positioning proximity, and robotics. Some examples: include car doors, refrigerator doors, covers of various devices, lids, security interlocks, keys or locks. Typical implementations using optical couplers or inductive metal detectors usually result in relatively expensive cost of their components.

## Design Goal

The main advantages of the induction metal detector based on the SLG46140 IC is low component and production cost, and a very compact completed device. It consists of two 2200 pF capacitors (C1 and C3), one 100 pF capacitor (C2), one GreenPAK IC SLG46140 (U1), 22 uH active inductor (L1) and LED (D1). The final size of the complete device is 5.5x11 mm.



**Figure 1. An example of the completed device**

The device has 10mA of current consumption when idle, with a 5V supply. It uses 64 mA when actively detecting metal, which includes approximately 50 mA for the LED. With the design shown here, the device detects the presence of a 3mm diameter metal object out to a distance of 4mm.

### System Level Design Approach

The electrical circuit schematic of the tiny metal detector is shown in Figure 2. The principle of operation is as follows:

- L1, C1 and C3 form an oscillating loop with a natural frequency of oscillation approximately 1 MHz.
- This frequency is measured by the SLG46140 GreenPAK IC.
- If the oscillation frequency is different from the value programmed in the GreenPAK IC, then both LED D1 illuminates, and the EXT signal to header P1 goes high.

The proposed PC board for the detector is shown in Figure 3. This is a small 2-sided board with dimensions of 5.5x6 mm. All the main elements of the board are on the top layer. Only the LED is on the bottom layer.

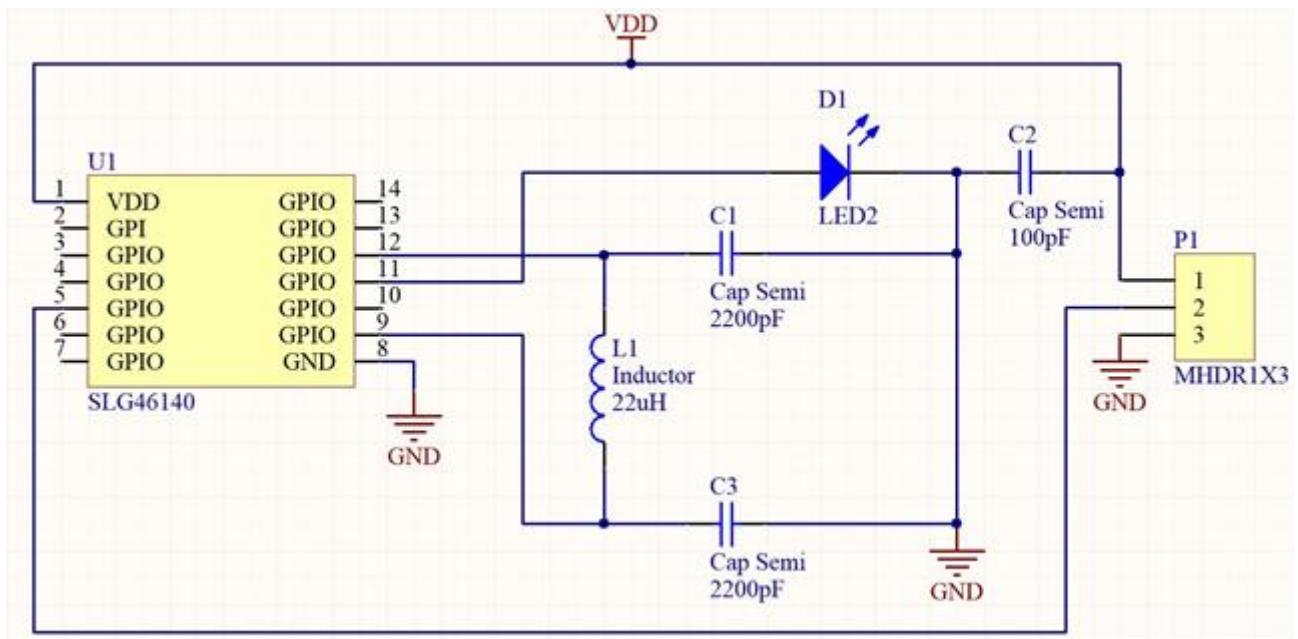


Figure 2. Tiny metal detector schematic

The coil L1 is mounted perpendicular to the board as shown in Figure 1.

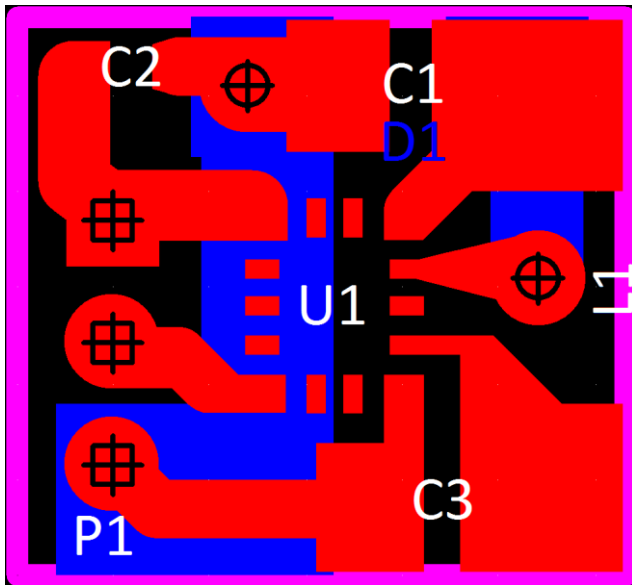


Figure 3. Tiny metal detector PCB design

### SLG46140 Design Approach

The SLG46140 GreenPAK internal block circuit is shown in Figure 4.

The components configuration is next:

- CNT0/DLY0 is in the counter mode and gives out short pulses once every 8 ms.
- CNT3/DLY3/FSM1 is in the counter mode and gives out short pulses once every 100 ms.
- PIN5 and PIN11 set as Digital Output with 2x push pull.
- PIN9 set as Digital Output with 4x push pull.
- PIN12 set as Digital Input with Schmitt trigger.
- Configuration of other elements are shown in Figure 5.

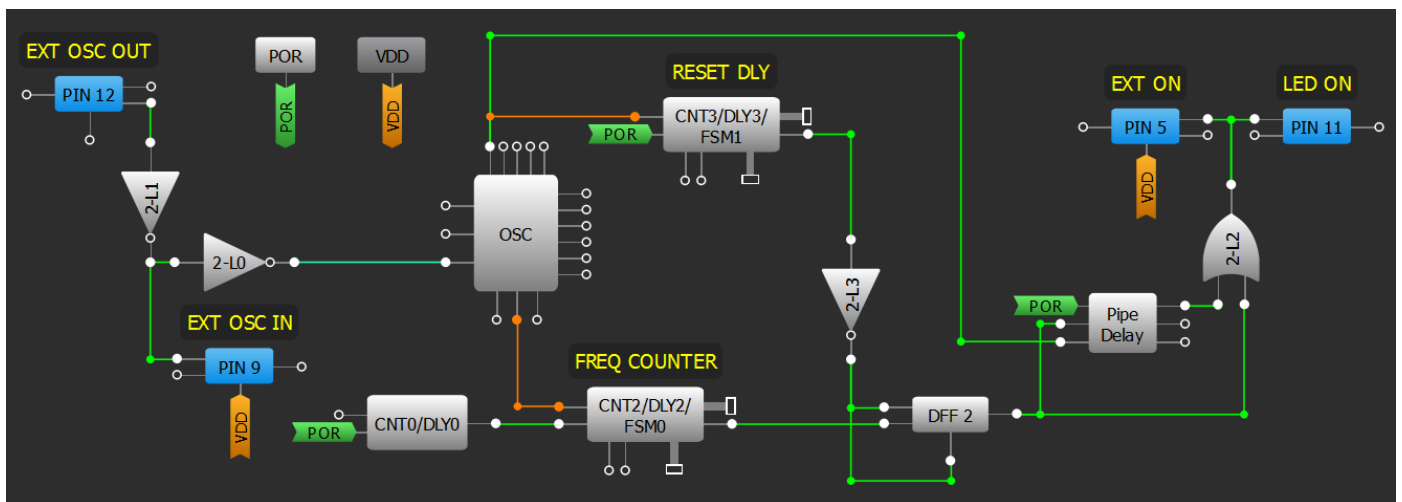


Figure 4. Tiny metal detector SLG46140 design

Counter data for 4-bit LUT1/14-bit CNT2/DLY2/FSM0 may vary depending on the preset voltage, required distance of response, and magnetic susceptibility of the metal.

At initialization, PIN 12 is low. When you turn on the device the inverter 2-L1 will drive a high level on PIN9, and due to the inverter 2-L0, the external oscillator input EXT CLK1 is driven low.

The image shows a configuration interface for various hardware elements. It is divided into several sections:

- POR:** Chip power on delay is set to 500 us.
- OSC:** Includes tabs for LF OSC, RC OSC, and RING OSC. Under RC OSC, settings include: RC OSC power mode (Force power on), RC OSC frequency (2000.00 kHz), Current source always turn on (Disable), RC matrix power down (Enable), RC clock predivider by (1), 'OUT0' second divider by (1), and Clock selector (RC OSC).
- 3-bit LUT4/DFF/LATCH2:** Type is DFF / LATCH, Mode is DFF, nSET/nRESET option is nRESET, Initial polarity is Low, and Q output polarity is Inverted (nQ).
- 3-bit LUT6/Pipe Delay:** Type is Pipe Delay, OUT0 PD num is 16, OUT1 PD num is 1, and OUT1 output polarity is Non-inverted (OUT).
- 4-bit LUT1/14-bit CNT2/DLY2/FSM0:** Type is CNT/DLY, Mode is Counter/FSM, Counter data is 7800 (Range: 1 - 16383), Output period (typical) is N/D with a Formula link, Edge select is Rising, Counter value control is Set (counter value), and FSM data sync with SPI clock is Disable.
- Connections:** FSM data is Counter data, Clock is EXT. CLK1, and Clock source is EXT. CLK1 Freq. Clock frequency is N/D.

Figure 5. Elements configuration

A high level on PIN 9 will cause charging of the coil L1 and the capacitors C1 and C3. At the moment when the level of the charge on the capacitor C3 exceeds the threshold of the inverter 2-L1, it switches on and PIN9 will be low, and the external oscillator input EXT CLK1 will set high. The counter CNT2/DLY2/FSM0 counts rising edges of EXT CLK1. As capacitor C3 discharges, it will disable the inverter 2-L1, whose output will be switched on, PIN9 goes high, the external oscillator input EXT CLK1 will be low and the oscillating loop C1-L1-SLG46140[2-L1]-C3 will return to its original state.

After 500us from power on, the counter CNT0/DLY0 will switch on. Every 8ms it will reset the CNT2/DLY2/FSM0 value. If during this 8ms the counter accumulates more than a given number of pulses (under laboratory conditions optimal number was 7800), it will set DFF2 trigger high. This trigger will be turned on within up to 100ms when the CNT3/DLY3/FSM1 will reset trigger DFF2 to the initial state. The high trigger output signal goes through the 2-L2 OR element and through the Pipe Delay (which is set to 9ms)

to turn LED on and thus the EXT signal to header P1 goes high. The delay is used in this circuit to ensure no interruption of the signal of the metal object presence when the counter CNT3/DLY3/FSM1 resets the trigger DFF2.

If the device is moved further than 4 mm from the metal object, counter CNT2/DLY2/FSM0 will not have time to count the number necessary to turn on, and prevents the output going high. Then after less than 100ms, counter CNT3/DLY3/FSM1 will reset trigger DFF2 to the initial state.

9ms after that the following occurs: Pipe Delay output goes low, OR 2-L2 output goes low, LED will be off and the EXT signal to header P1 goes low.

### Conclusion

Using one SLG46140 GreenPAK it is possible to design a low cost, simple to implement and very compact metal detector, having a 4mm detection range to small metal objects.

## IMPORTANT NOTICE AND DISCLAIMER

RENESAS ELECTRONICS CORPORATION AND ITS SUBSIDIARIES (“RENESAS”) PROVIDES TECHNICAL SPECIFICATIONS AND RELIABILITY DATA (INCLUDING DATASHEETS), DESIGN RESOURCES (INCLUDING REFERENCE DESIGNS), APPLICATION OR OTHER DESIGN ADVICE, WEB TOOLS, SAFETY INFORMATION, AND OTHER RESOURCES “AS IS” AND WITH ALL FAULTS, AND DISCLAIMS ALL WARRANTIES, EXPRESS OR IMPLIED, INCLUDING, WITHOUT LIMITATION, ANY IMPLIED WARRANTIES OF MERCHANTABILITY, FITNESS FOR A PARTICULAR PURPOSE, OR NON-INFRINGEMENT OF THIRD PARTY INTELLECTUAL PROPERTY RIGHTS.

These resources are intended for developers skilled in the art designing with Renesas products. You are solely responsible for (1) selecting the appropriate products for your application, (2) designing, validating, and testing your application, and (3) ensuring your application meets applicable standards, and any other safety, security, or other requirements. These resources are subject to change without notice. Renesas grants you permission to use these resources only for development of an application that uses Renesas products. Other reproduction or use of these resources is strictly prohibited. No license is granted to any other Renesas intellectual property or to any third party intellectual property. Renesas disclaims responsibility for, and you will fully indemnify Renesas and its representatives against, any claims, damages, costs, losses, or liabilities arising out of your use of these resources. Renesas' products are provided only subject to Renesas' Terms and Conditions of Sale or other applicable terms agreed to in writing. No use of any Renesas resources expands or otherwise alters any applicable warranties or warranty disclaimers for these products.

(Rev.1.0 Mar 2020)

### Corporate Headquarters

TOYOSU FORESIA, 3-2-24 Toyosu,  
Koto-ku, Tokyo 135-0061, Japan  
[www.renesas.com](http://www.renesas.com)

### Contact Information

For further information on a product, technology, the most up-to-date version of a document, or your nearest sales office, please visit:  
[www.renesas.com/contact/](http://www.renesas.com/contact/)

### Trademarks

Renesas and the Renesas logo are trademarks of Renesas Electronics Corporation. All trademarks and registered trademarks are the property of their respective owners.