

Introduction

We will demonstrate how to make a vehicle collision avoidance system using a single SLG46620V GreenPAK IC. This IC provides processing of the ultrasonic sensor and RC transmitter, and assists in control of the vehicle. The basic idea of how to implement this is shown in Fig. 1.

The principle of operation is as follows: the higher the rate - the greater the distance at which the automatic brake will engage before an obstacle (only when the throttle is engaged). Schematic, and illustration of PCB are shown in Fig. 2, and Fig. 3. You can watch a video of the finished prototype in action here:

<https://youtu.be/H1Fc5dvvA8o>

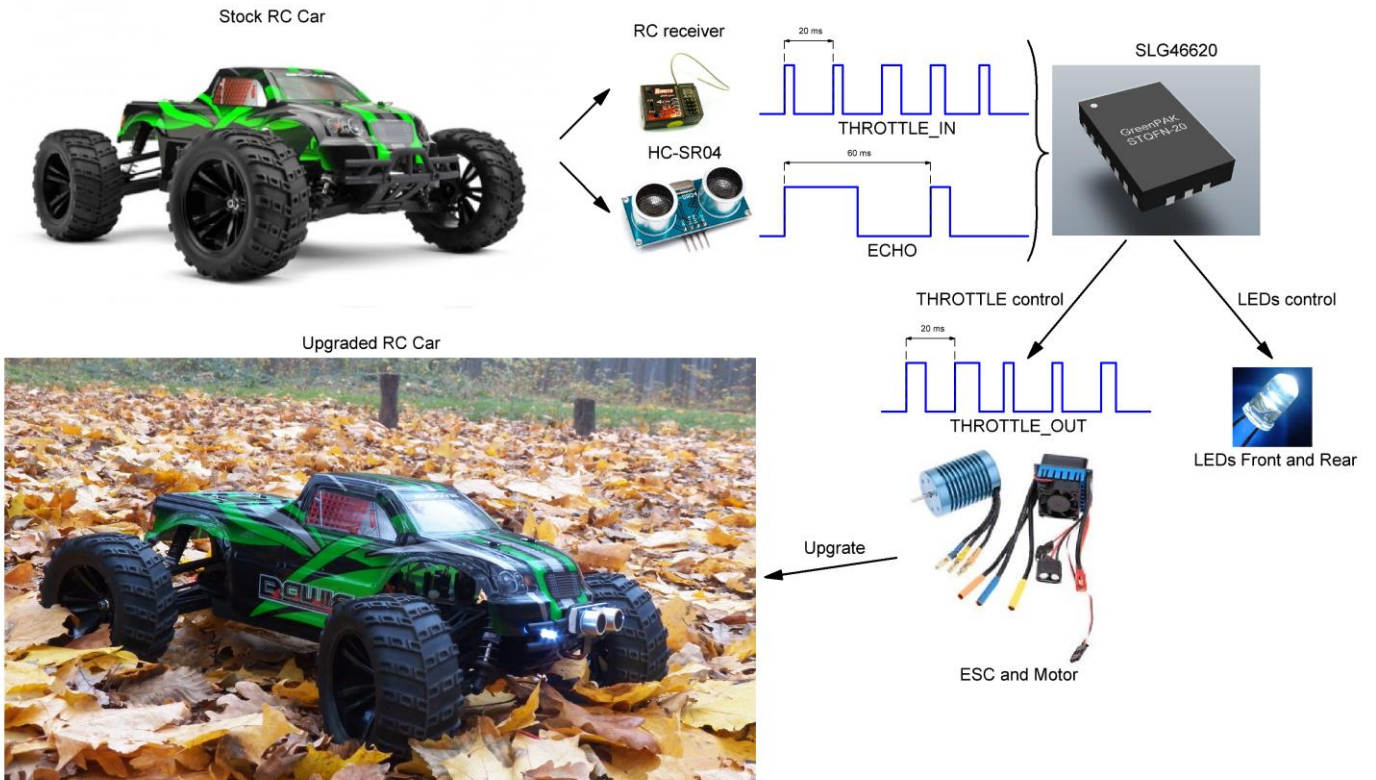


Figure 1. Basic implementation

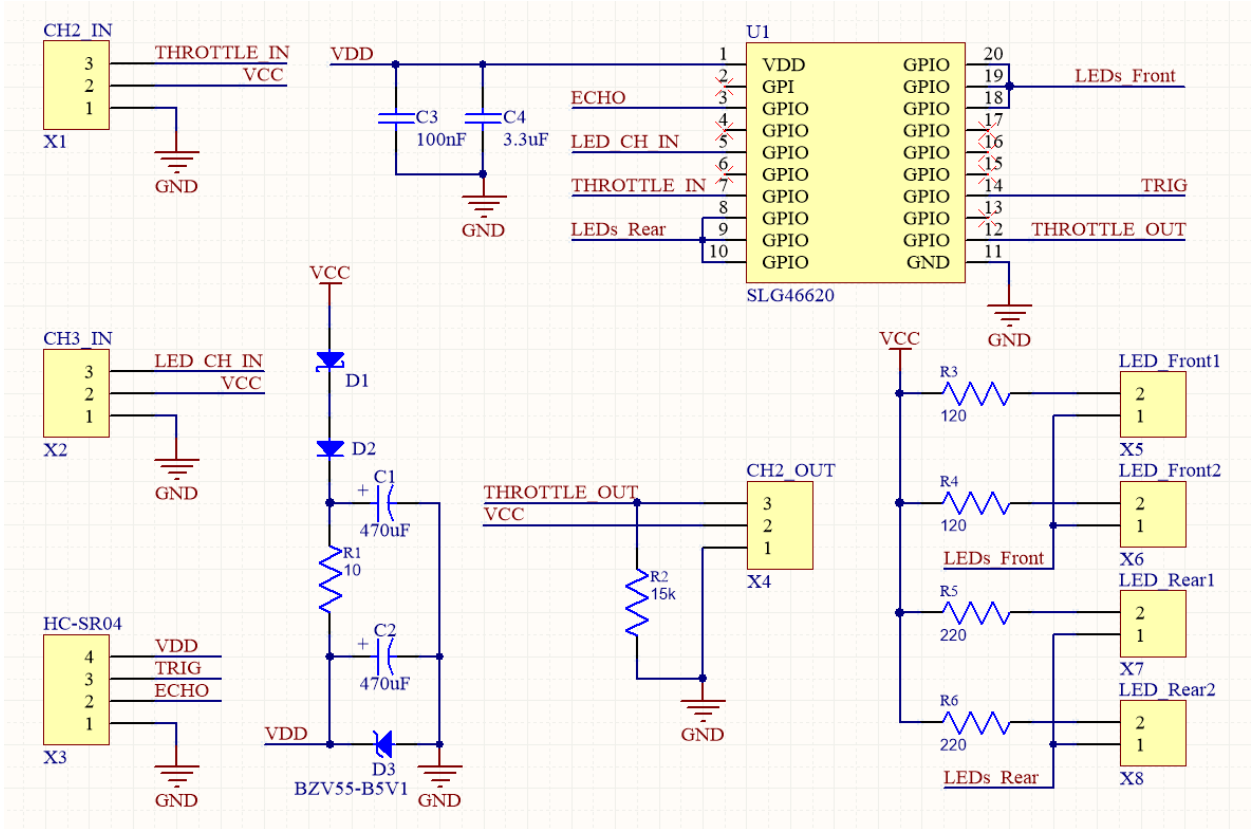


Figure 2. Collision Avoidance Controller schematic example

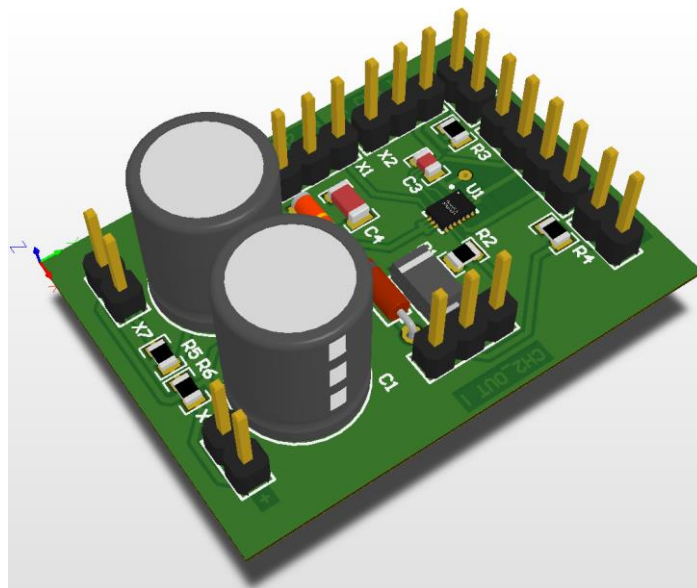


Figure 3. Collision Avoidance Controller PCB illustration

Collision Avoidance Controller circuit design

As shown in Fig. 4 and 5 the system can be implemented using the following cell blocks: two INVs (INV0, INV1), seven 2-bit LUTs (LUT1, LUT2, LUT3, LUT4, LUT5, LUT6 and LUT7), thirteen 3-bit LUTs (LUT0, LUT1, LUT2, LUT3, LUT4, LUT5, LUT8, LUT9, LUT10, LUT11, LUT12, LUT13 and LUT15), one 4-bit LUT1, eleven DFFs (DFF/LATCH0, DFF/LATCH2, DFF/LATCH3, DFF/LATCH4,

DFF/LATCH5, DFF/LATCH6, DFF/LATCH7, DFF/LATCH8, DFF/LATCH9, DFF/LATCH10 and DFF/LATCH11), DCMP0/PWM0, nine CNTs/DLYs (CNT0/DLY0, CNT1/DLY1, CNT2/DLY2/FSM0, CNT3/DLY3, CNT4/DLY4/FSM1, CNT5/DLY5, CNT6/DLY6, CNT8/DLY8 and CNT9/DLY9), two P DLYs (P DLY0, P DLY1), OSC and two Pipe Delays (Pipe Delay0, Pipe Delay1).

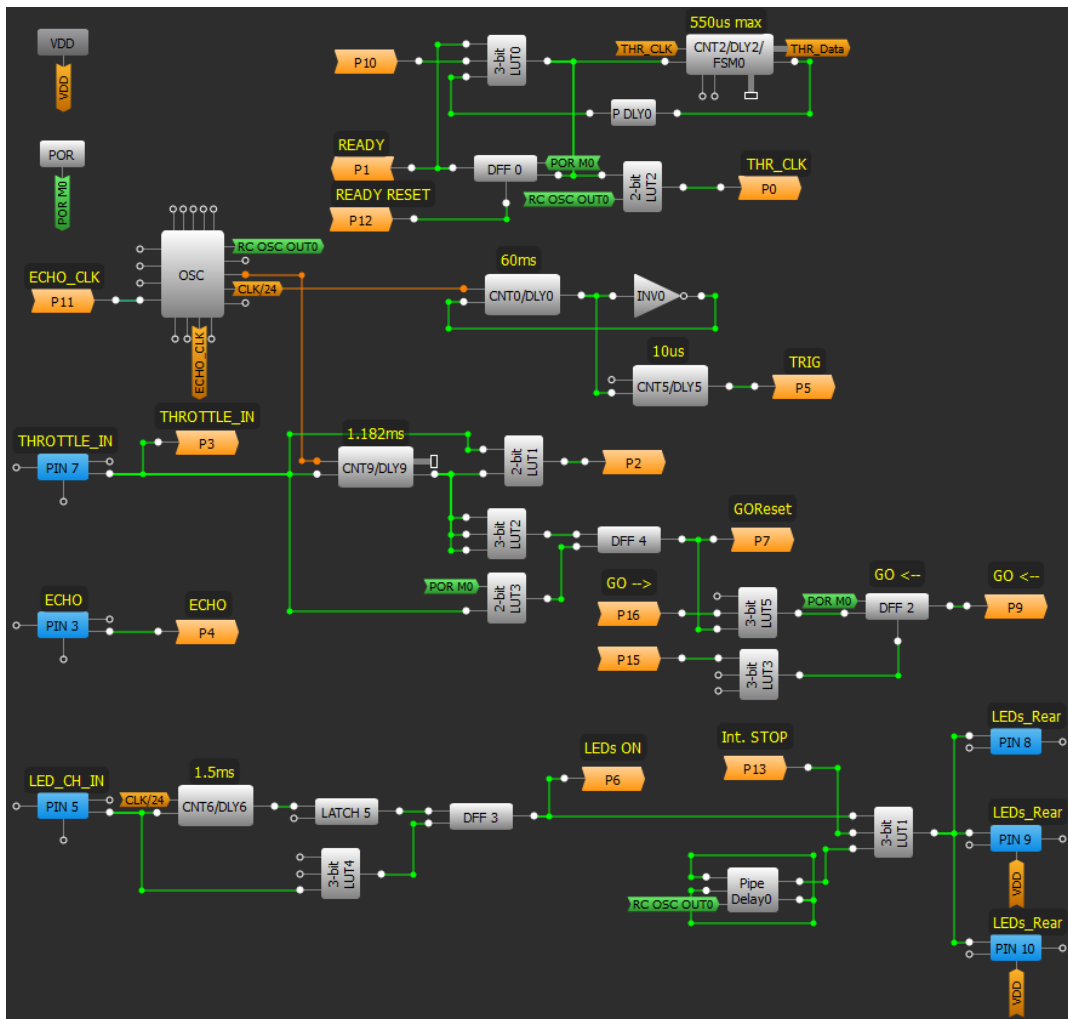


Figure 4. Collision Avoidance Controller circuit design (Matrix 0)

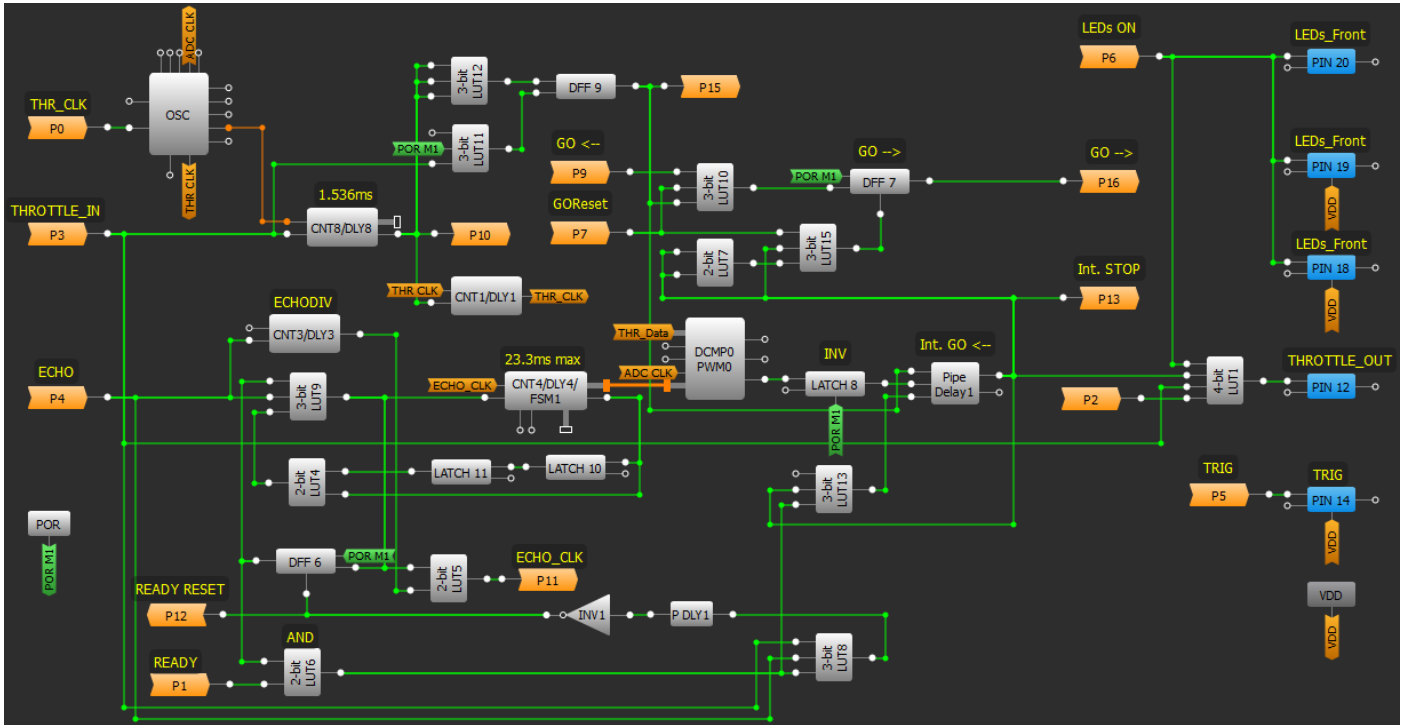


Figure 5. Collision Evasion Controller circuit design (Matrix 1)

Collision Avoidance Controller circuit analysis

The implementation of this project is shown on the block diagram (see Fig. 6). This project is based on the comparison of two values: THROTTLE_IN (position of throttle stick) and ECHO (distance to the obstacle). Comparison block is implemented using DCMPO/PWM0 and two FSMs blocks (CNT2/DLY2/FSM0 and CNT4/DLY4/FSM1). In both FSMs blocks, the default counter data value is 240. This value corresponds to the number of steps to detect the difference of the input signals. Their counter data goes down to 0 when the input signal is switched HIGH. Input signals previously are processed before the comparison because their frequencies are different (as shown in Fig. 7).

This function (input signal processing) is implemented on the combination of group blocks that do the following functions: clock divider (ECHO CLK and THROTTLE CLK), Ready state (ECHO ready system and THROTTLE ready system) and a block that stores the data for comparison (Comparison). For THROTTLE_IN signal, these are: CNT8/DLY8, CNT1/DLY1, CNT2/DLY2/FSM0, P DLY0, 3-bit LUT0, DFF0 and 2-bit LUT2 blocks. For the ECHO signal, these are: CNT3/DLY3, CNT4/DLY4/FSM1, LATCH10, LATCH11, 2-bit LUT4 3-bit LUT9, DFF6 and 2-bit LUT5 blocks. Then, both data are ready for comparison - output result of DCMPO/PWM0 is written into the Pipe Delay1. It is implemented using 3-bit LUT13 and 8, 2-bit LUT6, P DLY1 and INV1. If OUT0 Pipe Delay1 is LOW, it's the STOP state (obstacle detected), see Fig. 8, Fig. 9 and Fig. 10.

If OUT0 Pipe Delay1 is HIGH, the device is in the normal state (motion of the car continues), see Fig. 11 and Fig. 12. RESET block is implemented using the combination of the following blocks: 2-bit LUTs 3 and 7, 3-bit LUTs 2, 3, 5, 10, 11, 12, 15 and DFFs 2, 4, 7 and 9. 4-bit LUT1 is a MUX to control the THROTTLE_IN and Internal STOP (combination of the blocks: CNT9/DLY9 and 2-bit LUT1). The function of the automatic STOP can be switched on/off with the remote control and it is implemented in the Function control block (CNT6/DLY6, LATCH5, 3-bit LUT4, DFF3 and MUX based on 4-bit LUT1).

If the automatic STOP turns on, it indicates this via LEDs (front LEDs shine at full intensity and rear LEDs shine dimly). If internal STOP is activated - rear LEDs shine at the full intensity (this function is the same as stop signal in real car). Rear LEDs control is implemented using PWM & Control block (Pipe Delay0 and 3-bit LUT1). To get the result from the ultrasonic sensor, a 10us pulse has to be generated and fed into the input trigger, and repeated every 60ms. Such function is implemented using the Pulse generator block (CNT0/DLY0, INV0 and CNT5/DLY5).

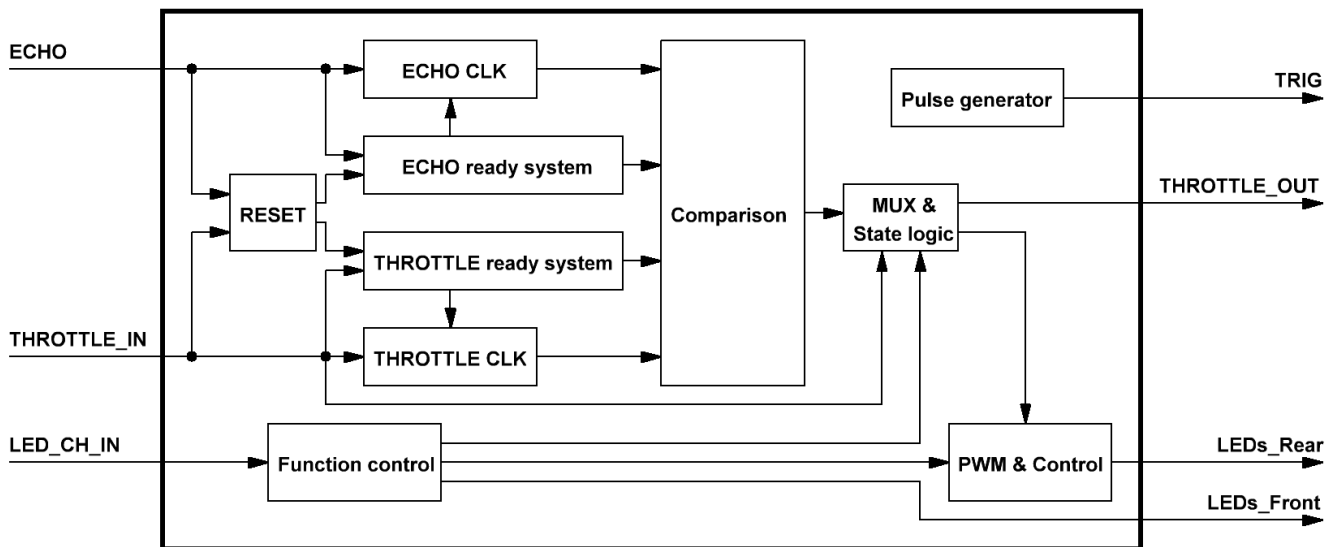


Figure 6. Block Diagram

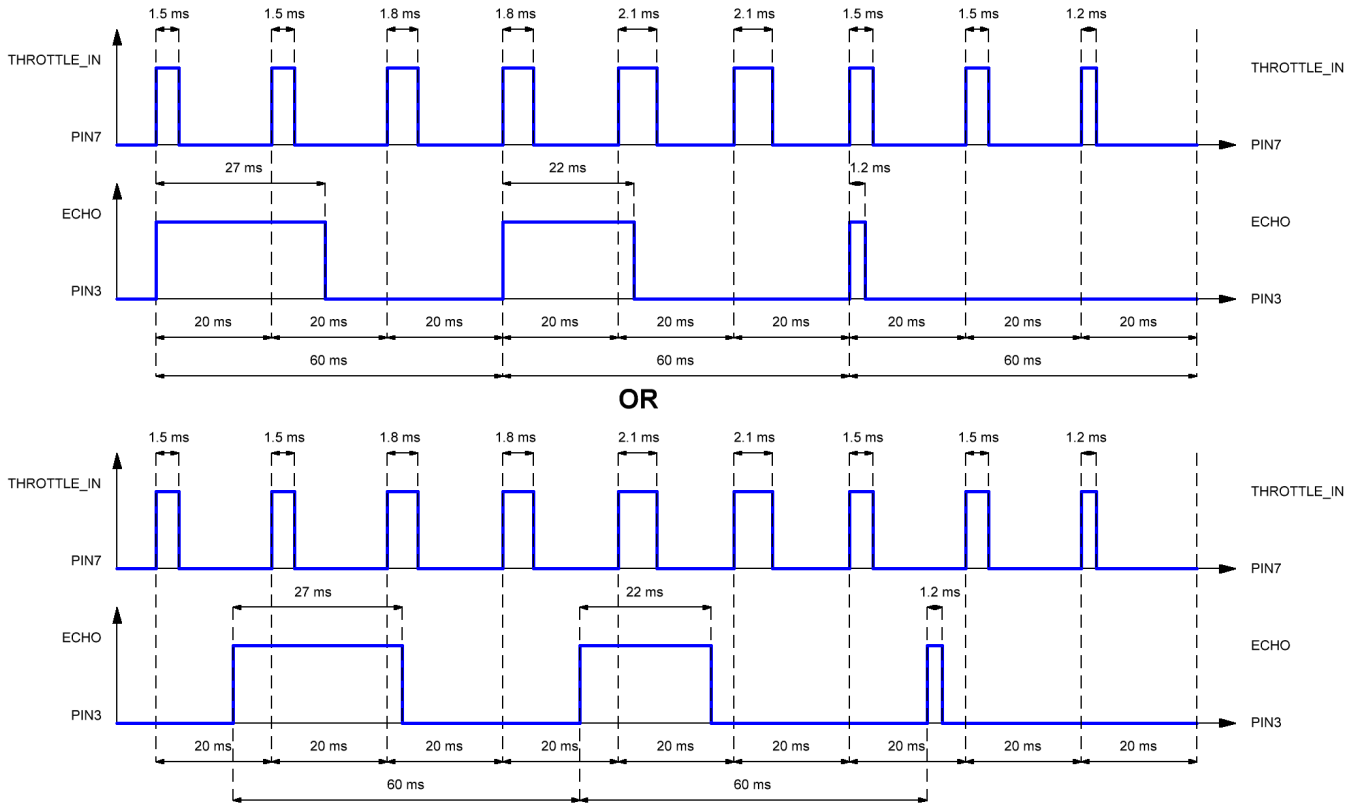


Figure 7. Collision Avoidance Controller ECHO and THROTTLE_IN signals

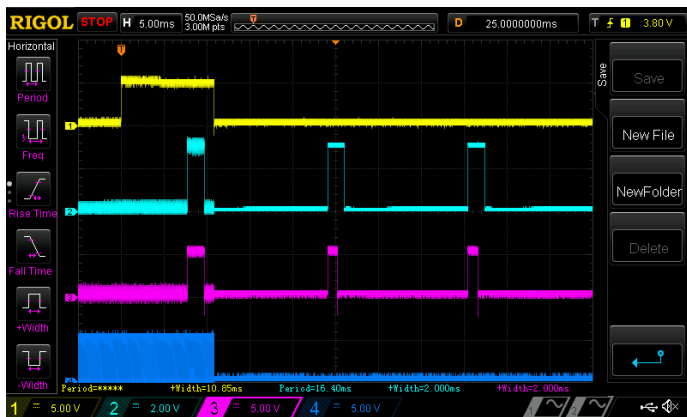


Figure 8. Automatic STOP function operation

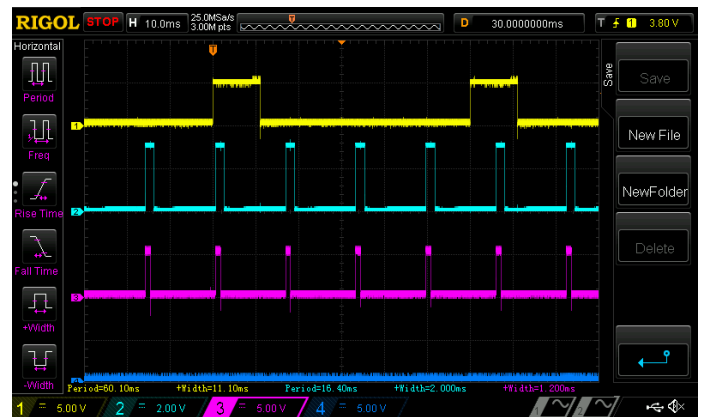


Figure 9. The car has stopped

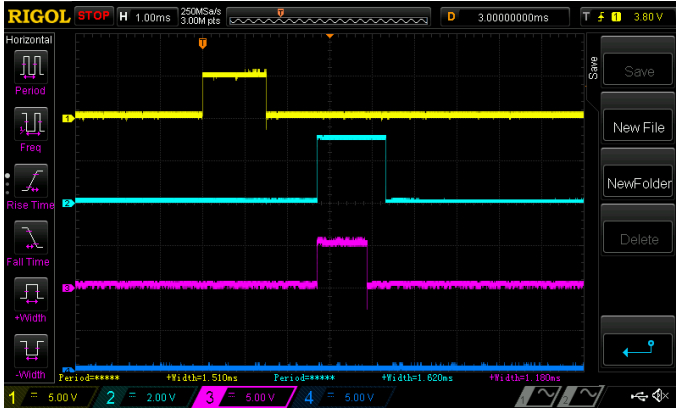


Figure 10. THROTTLE_OUT operation when the car has stopped

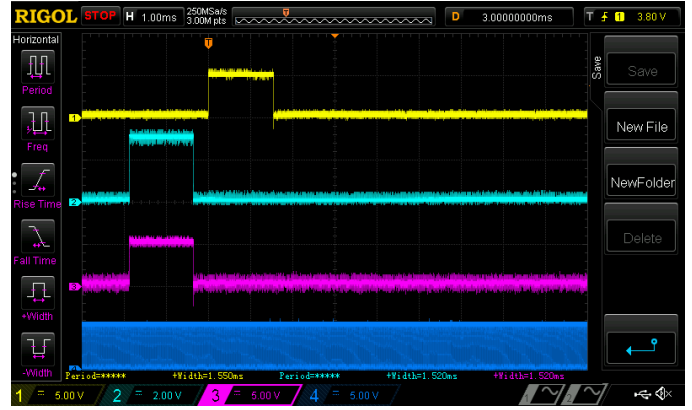


Figure 12. THROTTLE_OUT operation when the car is moving



Figure 11. The car is moving

Conclusion

Using only one SLG46620V IC, we can create the system that controls an RC car providing protection from collision with an obstacle, and LED visual effects control. This design can be extended to other applications such as robotic vacuums, toys, handicapped early warning systems, industrial automation.

IMPORTANT NOTICE AND DISCLAIMER

RENESAS ELECTRONICS CORPORATION AND ITS SUBSIDIARIES (“RENESAS”) PROVIDES TECHNICAL SPECIFICATIONS AND RELIABILITY DATA (INCLUDING DATASHEETS), DESIGN RESOURCES (INCLUDING REFERENCE DESIGNS), APPLICATION OR OTHER DESIGN ADVICE, WEB TOOLS, SAFETY INFORMATION, AND OTHER RESOURCES “AS IS” AND WITH ALL FAULTS, AND DISCLAIMS ALL WARRANTIES, EXPRESS OR IMPLIED, INCLUDING, WITHOUT LIMITATION, ANY IMPLIED WARRANTIES OF MERCHANTABILITY, FITNESS FOR A PARTICULAR PURPOSE, OR NON-INFRINGEMENT OF THIRD PARTY INTELLECTUAL PROPERTY RIGHTS.

These resources are intended for developers skilled in the art designing with Renesas products. You are solely responsible for (1) selecting the appropriate products for your application, (2) designing, validating, and testing your application, and (3) ensuring your application meets applicable standards, and any other safety, security, or other requirements. These resources are subject to change without notice. Renesas grants you permission to use these resources only for development of an application that uses Renesas products. Other reproduction or use of these resources is strictly prohibited. No license is granted to any other Renesas intellectual property or to any third party intellectual property. Renesas disclaims responsibility for, and you will fully indemnify Renesas and its representatives against, any claims, damages, costs, losses, or liabilities arising out of your use of these resources. Renesas' products are provided only subject to Renesas' Terms and Conditions of Sale or other applicable terms agreed to in writing. No use of any Renesas resources expands or otherwise alters any applicable warranties or warranty disclaimers for these products.

(Rev.1.0 Mar 2020)

Corporate Headquarters

TOYOSU FORESIA, 3-2-24 Toyosu,
Koto-ku, Tokyo 135-0061, Japan
www.renesas.com

Contact Information

For further information on a product, technology, the most up-to-date version of a document, or your nearest sales office, please visit:
www.renesas.com/contact/

Trademarks

Renesas and the Renesas logo are trademarks of Renesas Electronics Corporation. All trademarks and registered trademarks are the property of their respective owners.