

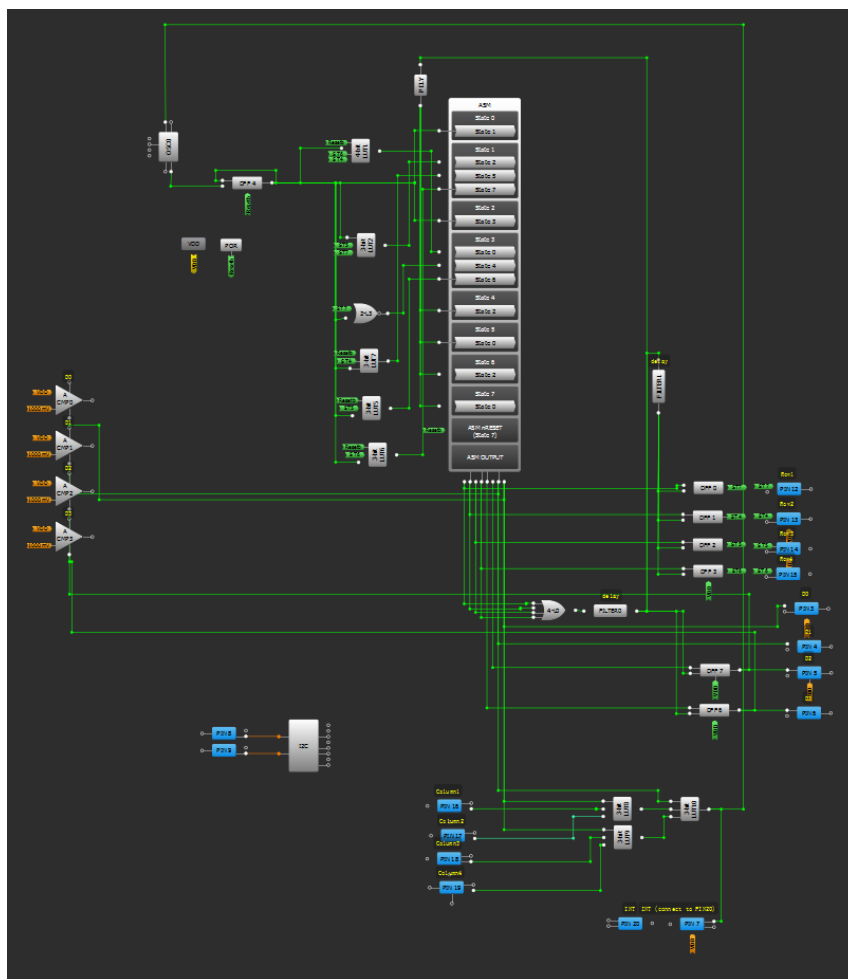
**Introduction**

This application note demonstrates how to design a Keypad Encoder using the asynchronous state machine in the SLG46531.

As shown in Figure 1, the design of this 4x4 keypad encoder is constructed on the basis of the Asynchronous State Machine Macrocell (ASMM). The ASMM is used as a serial connection to one of the 16 keys.

**4-bit Counter on ASMM**

A 4-bit counter is realized using 8-states Asynchronous state machine (ASM). To go through the full cycle and to return into 0<sup>th</sup> state, 16 state transitions should be done. Two Lower bits are decoded from binary code and control 4 lines, which are connected to the matrix buttons' (switches) columns. If the counter code is equal to «XX00», then the first line will be LOW and three others will be HIGH. Similarly «XX01» code – the second line, «XX10» – the third, «XX11» – the fourth will be LOW and three others – HIGH.



**Figure 1. 4x4 Keypad encoder design**

By the external connection each line is connected to the matrix column (1<sup>st</sup> – to the 1<sup>st</sup> and so on). The two higher bits control the MUX (sel1 and sel2 inputs), whose inputs are connected to the matrix buttons' (switches) rows. If the counter code is «00XX», then the first row will be connected to the MUX input. Similarly: «01XX» code – the second row, «10XX» – the third row and «11XX» – the fourth row.

When the switched button is detected, the MUX output will go HIGH, which stops the generator and its value will be output to the D0..D3 outputs, or by the request of the MC using I<sup>2</sup>C protocol.

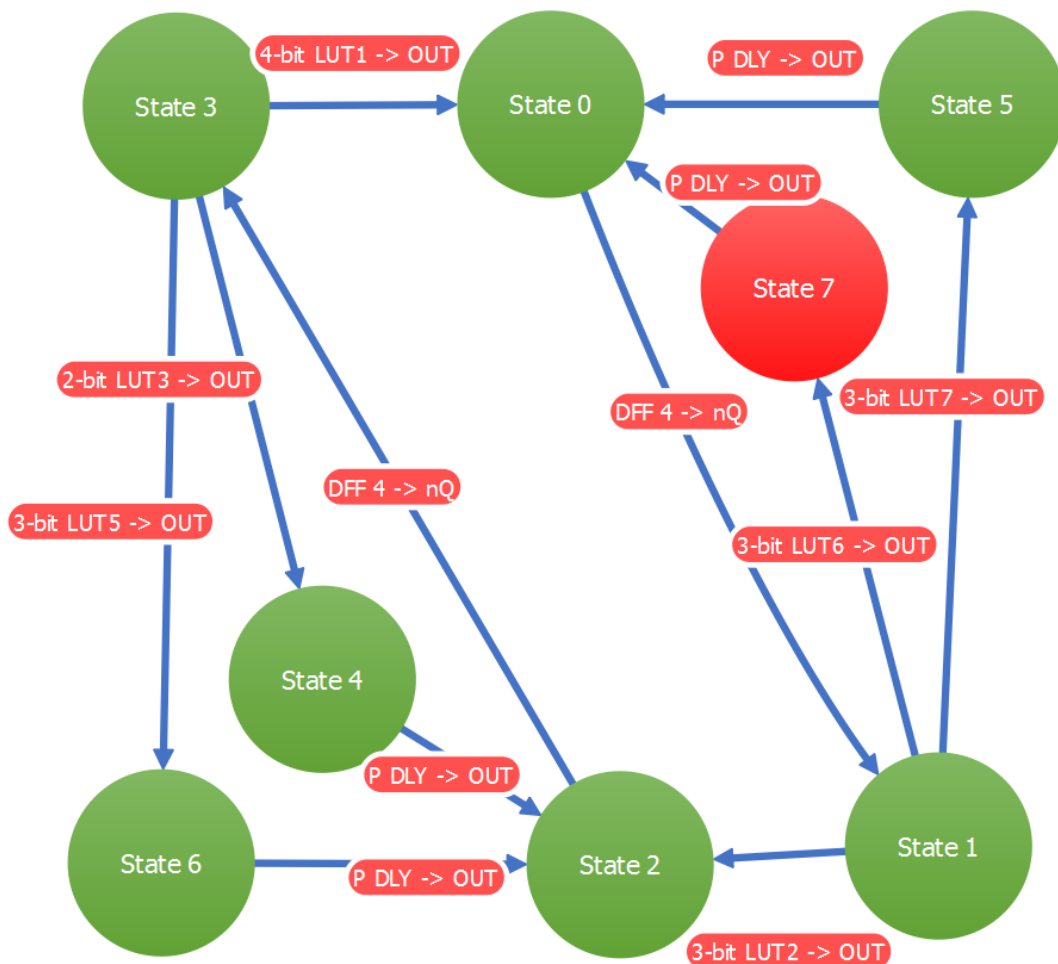


Figure 2. ASM block diagram design

### I<sup>2</sup>C Output

In this design the pressed button code transfer function on the two lines using I<sup>2</sup>C protocol is realized. To do this it is necessary to ask for the next MC address: 3<sup>rd</sup> MC bank, 247<sup>th</sup> data byte. The lowest bit of the byte will contain the information whether the button is pressed or not. From the 2<sup>nd</sup> to 5<sup>th</sup> bit (4 bits) – pressed button code (if the first bit is equal to "1"). The 6<sup>th</sup>, 7<sup>th</sup> and 8<sup>th</sup> bits information doesn't matter to us and they should be ignored.

The program code (for demo-board "Arduino UNO") example implementation is provided in the attachment. This solution allows using only 2 line interface to a 16-button matrix, which is valuable when limited by a MC with a small number of free pins.

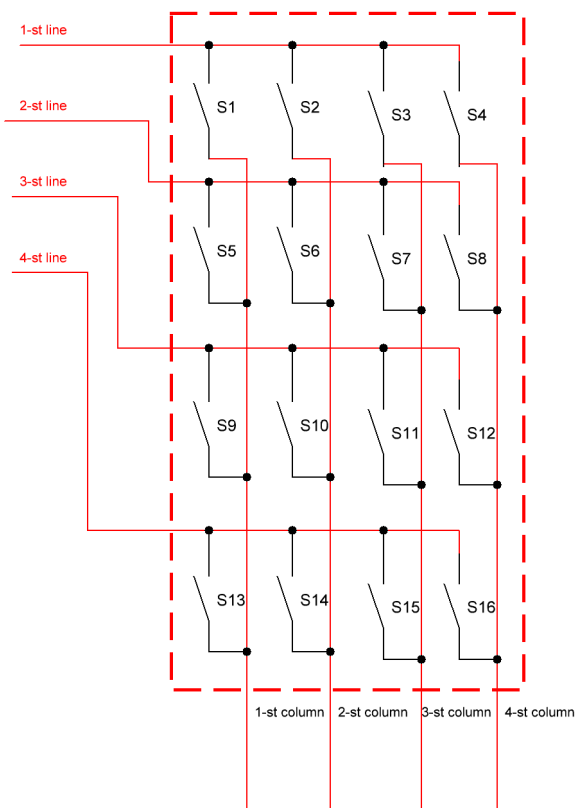
### Conclusion

This keypad decoder design illustrates the ease of using asynchronous state machine design, and the advantage of freeing up MC pins when used for MC expansion.

### Related Files

Programming code for **GreenPAK Designer**.  
 Programming code for Arduino.

Ext. Keypad 4X4



**Figure 3. External Expansion Keyboard (16 Keys 4X4 Matrix)**

## IMPORTANT NOTICE AND DISCLAIMER

RENESAS ELECTRONICS CORPORATION AND ITS SUBSIDIARIES (“RENESAS”) PROVIDES TECHNICAL SPECIFICATIONS AND RELIABILITY DATA (INCLUDING DATASHEETS), DESIGN RESOURCES (INCLUDING REFERENCE DESIGNS), APPLICATION OR OTHER DESIGN ADVICE, WEB TOOLS, SAFETY INFORMATION, AND OTHER RESOURCES “AS IS” AND WITH ALL FAULTS, AND DISCLAIMS ALL WARRANTIES, EXPRESS OR IMPLIED, INCLUDING, WITHOUT LIMITATION, ANY IMPLIED WARRANTIES OF MERCHANTABILITY, FITNESS FOR A PARTICULAR PURPOSE, OR NON-INFRINGEMENT OF THIRD-PARTY INTELLECTUAL PROPERTY RIGHTS.

These resources are intended for developers who are designing with Renesas products. You are solely responsible for (1) selecting the appropriate products for your application, (2) designing, validating, and testing your application, and (3) ensuring your application meets applicable standards, and any other safety, security, or other requirements. These resources are subject to change without notice. Renesas grants you permission to use these resources only to develop an application that uses Renesas products. Other reproduction or use of these resources is strictly prohibited. No license is granted to any other Renesas intellectual property or to any third-party intellectual property. Renesas disclaims responsibility for, and you will fully indemnify Renesas and its representatives against, any claims, damages, costs, losses, or liabilities arising from your use of these resources. Renesas' products are provided only subject to Renesas' Terms and Conditions of Sale or other applicable terms agreed to in writing. No use of any Renesas resources expands or otherwise alters any applicable warranties or warranty disclaimers for these products.

(Disclaimer Rev.1.01 Jan 2024)

### Corporate Headquarters

TOYOSU FORESIA, 3-2-24 Toyosu,  
Koto-ku, Tokyo 135-0061, Japan  
[www.renesas.com](http://www.renesas.com)

### Trademarks

Renesas and the Renesas logo are trademarks of Renesas Electronics Corporation. All trademarks and registered trademarks are the property of their respective owners.

### Contact Information

For further information on a product, technology, the most up-to-date version of a document, or your nearest sales office, please visit [www.renesas.com/contact-us/](http://www.renesas.com/contact-us/).