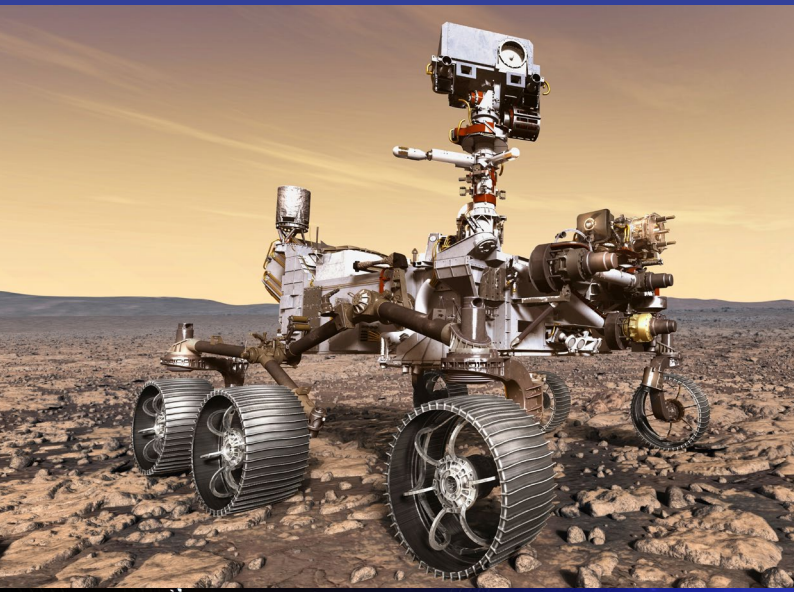


INTERSIL SPACE PRODUCTS

Highly Reliable, Efficient, Accurate Radiation Hardened and Radiation Tolerant ICs



WHEN FAILURE IS NOT AN OPTION™

INTERSIL SPACE ICs

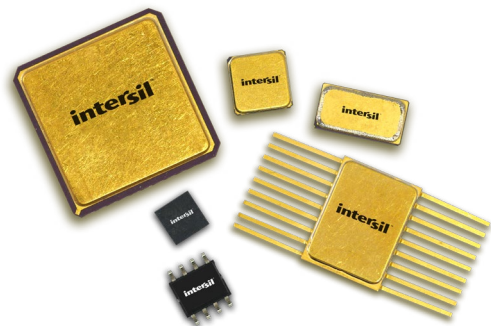
Highly reliable, efficient and accurate radiation-hardened ICs for space applications and other radiation environments.



More than 70 unique Intersil rad-hard ICs were onboard the July 30 liftoff of NASA's Mars 2020 Perseverance rover.

CONTENTS

Production Flows.....	04
Hi-Rel Power Management	06
Hi-Rel Signal Processing	10
Reference Designs.....	16
Space-Grade Products List	24
Appendix.....	35



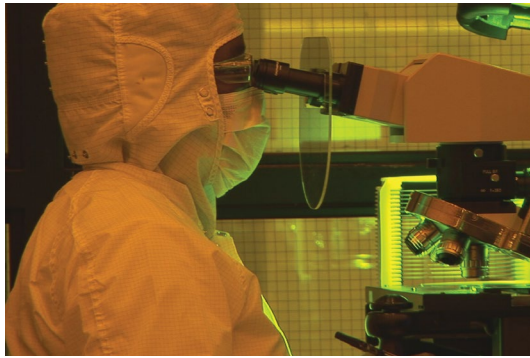
Seven Decades of Flight Experience

Renesas' (formerly Intersil) history and experience in the space and defense industries spans almost seven decades beginning with the founding of Radiation, Inc. in 1950. Today, we continue to support and release new space-qualified radiation-hardened (rad-hard) and radiation-tolerant (rad-tolerant) hermetic and plastic products for the Hi-Reliability and Space marketplaces.

The total ionizing dose response of semiconductors is a key issue in space applications. Renesas addresses this by performing radiation lot acceptance testing (RLAT) on all space-grade products. For radiation hardened products, low dose rate and/or high dose rate RLAT is performed on a wafer-by-wafer basis. For radiation tolerant products, low dose rate RLAT is performed on a per wafer lot basis.

By leveraging the latest technology, the Intersil space products group is releasing QML Class V and equivalent, QML Class P and equivalent, QML Class Q, and radiation-tolerant space plastic products that are revolutionizing the Hi-Reliability and Space marketplaces.

Intersil Space IC Benefits



Reliable, Proven Supply Chain

Proven proprietary processes and package technologies.

- Strong technology development with proprietary processes and package technologies
- Source multiple leading-edge semiconductor foundries & assembly/test partners to ensure steady product supply and reduced risk
- Decades of experience handling military/space applications products and delivering world-class quality and reliability metrics

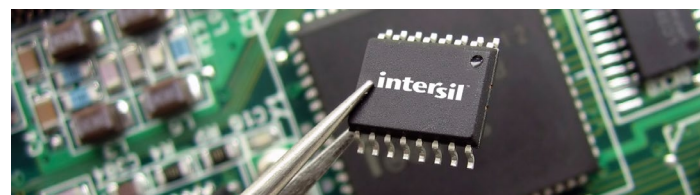
Highest Standards

As a major supplier to the military and aerospace industries, our Intersil product development methodologies reflect experience designing products to meet the highest standards for reliability and performance in challenging environments.

- Products are offered on rad-hard MIL-PRF-38535/QML and rad-tolerant production flows
- All rad-hard products are 100% burned-in
- Consistent design and manufacturing in our MIL-PRF-38535-qualified facility in Palm Bay, Florida
- We are one of only a few RHA Defense Logistics Agency (Land and Maritime) QML suppliers
- All rad-hard products follow a QML Class V or P (space level) production flow

Assured Product Supply

Long life cycles ensure steady flow of product. We still support customer programs with products in production for over 40 years. Design, layout, certain process technologies, and manufacturing steps like burn-in and total dose testing of ICs ensures predictable performance and prevents system failure while in flight and on long duration robotic and crewed missions to other planets.



PRODUCTION FLOWS

Renesas leverages decades of experience to deliver efficient, thermally optimized, and reliable products for the defense, high-reliability, and rad-hard space markets. We offer products on multiple production flows to support a wide variety of mission profiles.

Radiation Hardened Hermetic ICs



Class Ve production flow

Rigorous Test and Screening Process to Ensure the Highest Reliability

Renesas' Intersil hermetic-packaged radiation-hardened devices are hermetically sealed in ceramic packages and undergo a rigorous test and screening process to ensure the highest reliability. These devices are manufactured, tested and screened on a Space Plastic QML Class V or QML Class V Equivalent (Class Ve) production flow.

See [Renesas Radiation Hardened QML-V Equivalent Screening and QCI Flow](#) for detailed information about the Renesas' Class Ve production flow.

Radiation Hardened Plastic ICs



Class Pe production flow

Cost and Space-Saving while Maintaining the Reliability and Radiation Assurance for Higher Orbit Missions

Renesas' Intersil plastic-packaged radiation-hardened devices combine high rad-hard assurance levels with the board area savings and cost advantages of plastic packaging. This new portfolio brings space grade solutions to MEO/GEO missions with longer lifetime requirements, as well as small satellites (smallsats) and higher density electronics, while reducing size, weight, power and cost (SWaP-C) concerns. These devices are manufactured, tested and screened on a Space Plastic QML Class P, QML Class P Equivalent (Class Pe), or Plastic Encapsulated Microcircuit (PEMs) production flow.

See [Renesas Radiation Hardened QML-P Equivalent Screening and QCI Flow](#) for detailed information about the Renesas' Class Pe production flow.

Units screened on Renesas' PEMs production flow are produced, screened, and tested to industry accepted standards including SAE AS6294/1 and NASA PEMS-INST-001. See [Radiation Hardened Plastic Production and QCI Flow](#) for more detailed information about Renesas' PEMs production flow.



PEMs production flow

Radiation Tolerant Plastic ICs



RT Plastic production flow

Cost Effective Solutions for Short Duration Low Earth Orbit (LEO) Mission Profiles

Renesas' Intersil plastic-packaged radiation-tolerant devices leverage radiation-qualified designs with significant cost savings from limited screening. Thorough initial characterization gives customers the upmost confidence in the ICs' performance, making Renesas' radiation-tolerant plastic parts a reliable, cost-effective solution for small satellites and high altitude avionic systems. All of Renesas' RT plastic parts meet NASA's outgassing specifications and feature matte tin plating.

See [Renesas Radiation Tolerant Plastic Production and QCI Flow](#) for more detailed information about Renesas' RT Plastic production flow.

Production Flow Overview

Rad-Hard Hermetic Class V, Class Ve	Rad-Hard Plastic Class P, Class Pe, PEMs	Rad-Tolerant Plastic RT Plastic
Highest Reliability Most Robust Package Most Rigorous Test & Screen	Very High Reliability Package Cost, Size & Weight Savings Most Rigorous Test & Screen	High Reliability Package Cost, Size & Weight Savings Significant Test & Screen Savings
Radiation Lot Acceptance Testing High Dose Rate (HDR): Up to 300krad(Si) Low Dose Rate (LDR): 75-100krad(Si)	Radiation Lot Acceptance Testing Low Dose Rate (LDR): 75krad(Si)	Radiation Lot Acceptance Testing Low Dose Rate (LDR): 30 or 50krad(Si)
SEE Characterization: 86 MeV-cm²/mg	SEE Characterization: 86 MeV-cm²/mg	SEE Characterization: 46 MeV-cm²/mg
100% Burn-In & Reverse Bias Burn-In Includes Pre-Mid-Post Burn-In Electrical Test	100% Burn-In & Reverse Bias Burn-In Includes Pre-Mid-Post Burn-In Electrical Test	Burn-In Not Performed
100% Tri-Temp Test: -55°C, +25°C, +125°C	100% Tri-Temp Test: -55°C, +25°C, +125°C	100% Room Temp Test: +25°C
Serialized Units & Data Packet	Serialized Units & Data Packet	Wafer Lot Traceability & RLAT Data Packet

Standard Screening Flow

	Rad-Hard Hermetic Class V, Class Ve	Rad-Hard Plastic Class P, Class Pe, PEMs	Rad-Tolerant Plastic RT Plastic
Wafer Lot Acceptance	✓	✓	✓
Non-destructive Bond Pull	✓	Unnecessary for plastic package	
Internal Visual Inspection	✓	✓*	
Temperature Cycling	✓	✓	
Constant Acceleration	✓	Unnecessary for plastic package	
Visual Inspection	✓	✓*	
Particle Impact Noise Detection (PIND) Test	✓	Unnecessary for plastic package	
Fine & Gross Leak	✓	Unnecessary for plastic package	
Serialization	✓	✓	
X-Ray	✓	✓	
Pre/Post Burn-In Electrical Test	✓	✓	
Burn-In Test	✓	✓	
Reverse Bias (Static) Burn-In Test	✓	✓	
Percent Defective Allowable (PDA) Calculation	✓	✓	
Final Electrical Test +25°C, Minimum and Maximum Operating Temperature	✓	✓	✓ +25°C only
Acoustic Microscopy	Unnecessary for hermetic package	✓	
External Visual Inspection	✓	✓	✓
Quality Conformance Inspection (QCI) Group A: Electrical Tests Performed per wafer lot	✓	✓	
QCI Group B: Mechanical and Environmental Tests Performed per wafer lot	✓	✓	
QCI Group C: High Temperature Operational Life (HTOL) Performed per wafer lot	✓	✓	
QCI Group D: Package Tests Performed per package type every 6 months	✓	✓	
QCI Group E: Radiation Lot Acceptance Testing (RLAT) Performed on a per wafer basis for Rad-Hard parts and on a per wafer lot basis for Rad-Tolerant parts <small>See individual datasheets and the associated radiation report(s) for more information</small>	LDR: 50 - 100 krad(Si) and/or HDR: 100 - 300 krad(Si)	LDR: 75 krad(Si)	LDR: 30 or 50 krad(Si)

*Not performed on PEMs

See "Standard Data Packet" on page 35

HI-REL POWER MANAGEMENT

Multiphase Power ISL73847, ISL73041/ISL71441, ISL70020, and ISL74420

Robust, Scalable Multiphase Power for High Performance FPGAs and ASICs

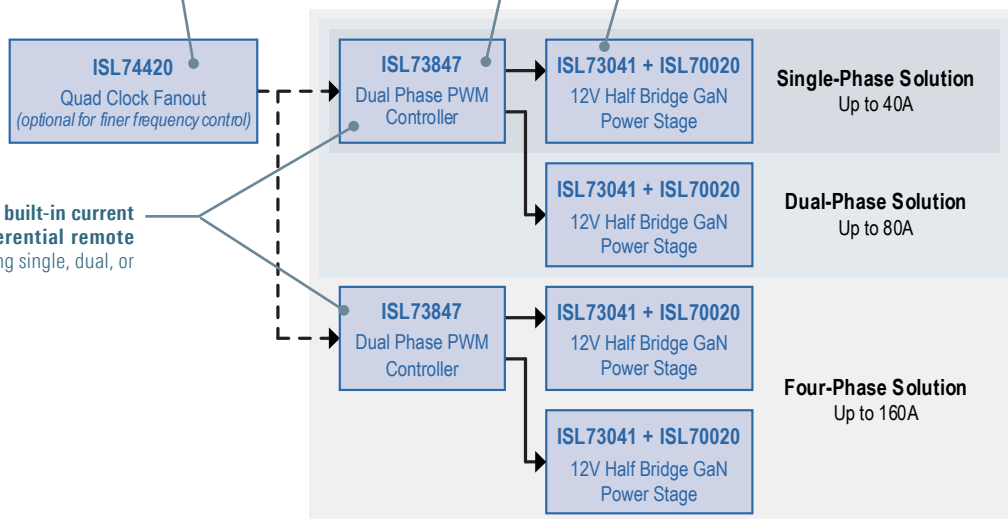
The ISL73847, ISL73041/ISL71441, ISL70020, and ISL74420 work together to provide a reliable, efficient, multiphase power solution for core power rails that have tight tolerances while minimizing the overall solution size. This solution can be scaled to support a wide range of power requirements, from 12A up to 160A or more.

ISL74420 can synchronize an entire system, minimizing input and output capacitor requirements due to less ripple and noise.

ISL73847 features built-in current sharing enabling two-phase operation within a single device and four-phase operation.

ISL73041 has highly matched and fast driver propagation delays, creating an extremely efficient power stage.

The ISL73847 features built-in current sharing and true differential remote sensing of V_{OUT}, enabling single, dual, or four-phase operation.



	Part Number	Screening	Package Type
ISL74420 Quad Clock Fanout <ul style="list-style-type: none"> 3V to 13.2V supply voltage Sync to external clock or use internal 48MHz oscillator Phase delay in 15° increments Pin programmable or I²C/SMBus Interface 	ISL74420M	RT Plastic	48 Ld TQFP-EP
	ISL74420SLH	Class Pe	48 Ld TQFP-EP
ISL73847 Dual Phase PWM Controller <ul style="list-style-type: none"> 4.5V to 19V supply voltage ±0.67% regulation accuracy (worst case) True differential remote sensing of V_{OUT} Single or multiphase operation 	ISL73847M	RT Plastic	24 Ld SOICW
	ISL73847SLH	Class Pe	24 Ld SOICW
	ISL73847SEH	Class Ve	24 Ld CFP
ISL73041 Half Bridge GaN FET Driver <ul style="list-style-type: none"> 4.5V to 5.5V programmable gate drive Highly matched & fast driver propagation delays 4.75V to 13.2V supply voltage Bi-directional fault communication with ISL73847 	ISL71441M	RT Plastic	20 Ld QFN
	ISL71441SLH	PEMS	20 Ld QFN
	ISL73041SEH	Class Ve	16 Ld CLCC
ISL70020 40V GaN FET <ul style="list-style-type: none"> Ultra-low R_{DS(on)}: 3.5mΩ (typ) Ultra-low total gate charge: 19nC (typ) Small footprint 4Ld SMD package 	ISL70020SEH	RH Hermetic GaN FET	4 Ld CLCC

Quad Adjustable Clock Fanout ISL74420

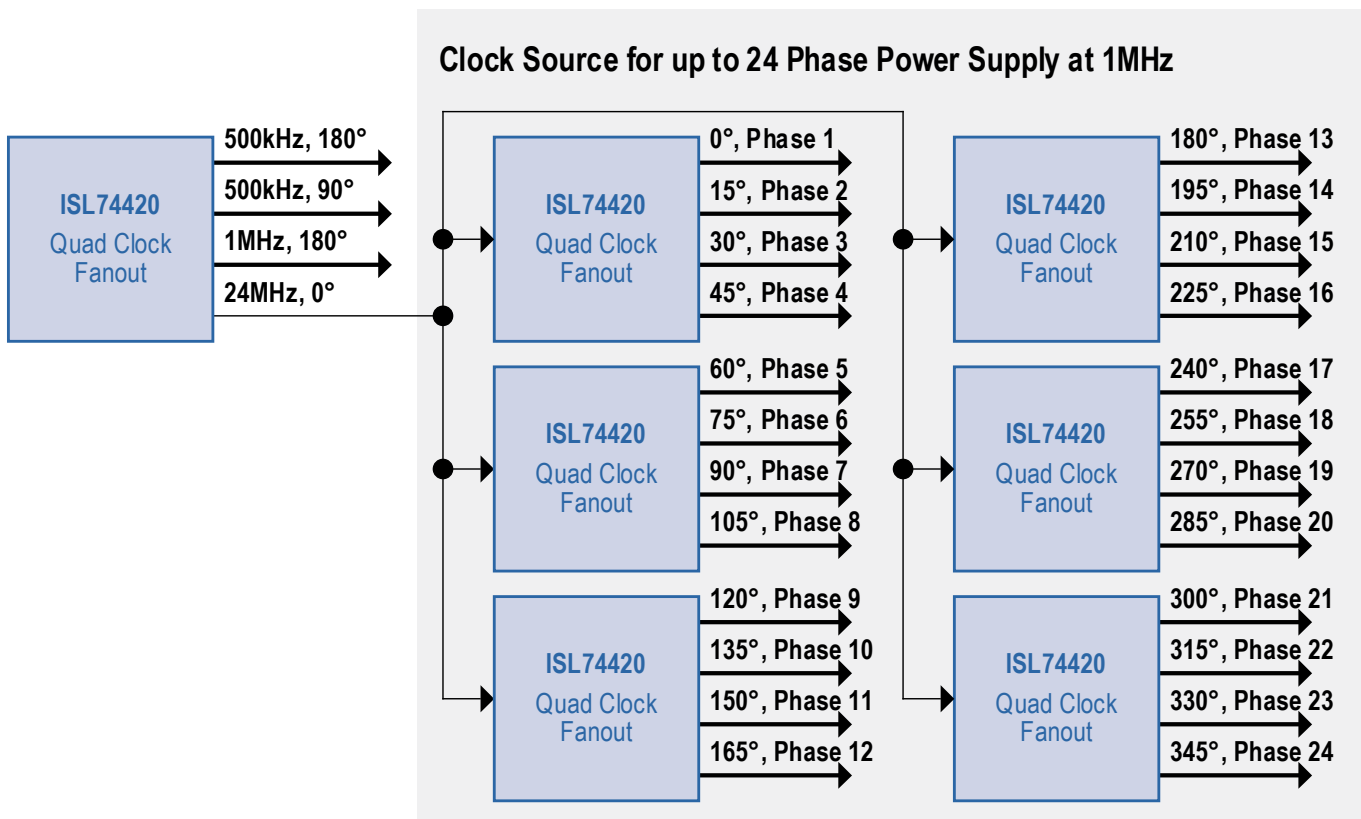
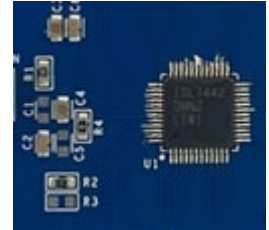
Adjustable Clock Fanout Designed for Power Management ICs

Precise Frequency Division and Phase Delay

The ISL74420 can output four synchronization clocks. Each clock can be set to a different frequency division and phase delay, and multiple ISL74420s can be connected together to provide up to 24 separate clocks.

I²C/SMBus Digital Interface or Pin Configurable

Frequency division and delay options can be set through an I²C/SMBus digital interface, allowing for the device to be reconfigured.



Features

- Power supply range: 3V to 18V
- Independent clock output supply: 3V to 5.5V
- Programmable output frequencies: 25kHz to 24MHz
- Programmable phase delay as low as 15° increments at 1MHz
- Package Type



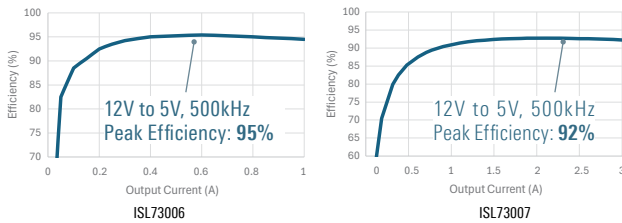
For more detail specifications, refer to "Power Timing" on page 31

Switching Regulators ISL73006, ISL73007

1A and 3A Ultra-Small Switching Regulators

Highly Efficient Power Conversion

These devices feature extremely high efficiency, achieving $\geq 90\%$ from 1A to 3A (ISL73007) and $\sim 95\%$ from 0.4A to 1A (ISL73006) for 12V to 5V conversions at 500kHz.



Small Form Factor

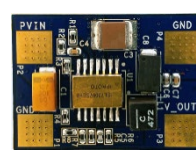
The total solution size including the output inductor, capacitors and other passives is 23 x 21.5mm for the ISL73006 and 25.4 x 25.5 mm for the ISL73007.



12V to 3.3V, 1A
Mini Demo Board
ISL73006SLHDEM02Z
(to scale)



+5V to -5V, 0.5A
Mini Demo Board
ISL73006SLHDEM03Z
(to scale)



12V to 3.3V, 3A
Mini Demo Board
ISL73007SEHDEM03Z
(to scale)



12VIN to 3.3V
Evaluation Board
ISL73007MEVAL1Z

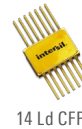
Features

- Input voltage range: 3V to 18V
- Output current
 - ISL73006: 1A
 - ISL73007: 3A
- Supply rail undervoltage Lockout
- External SYNC capability on ISL73007 in plastic package
- $\pm 1\%$ Regulation accuracy (across temp, rad, and life)
- Switching frequency:
 - ISL73006: 500kHz (Fixed)
 - ISL73007: 300kHz to 1MHz

Package Type



28 Ld TSSOP



14 Ld CFP



10 Ld CFP

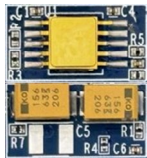
For more detail specifications, refer to "Switching Regulators" on page 31

Linear Regulator ISL75054

Low Noise Ultra-Small Low Dropout Linear Regulator

Small Form Factor (19x19mm)

The output voltage is set using a single resistor and the ISL75054 requires only 30 μ F of input and output capacitance, resulting in a total solution size of 19 x 19mm.

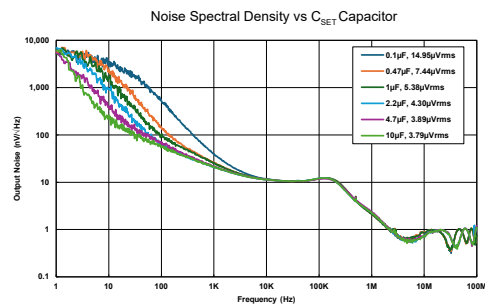


30V to 3.3V, 1A Mini Demonstration Board
ISL75054SLHDEM01Z (to scale)



Ultra Low-Noise (1A)

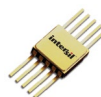
The ISL75054 can regulate a voltage down to 0.5V with excellent noise and PSRR performance. Built-in protection includes foldback, internal and externally programmable current limit and over-temperature protection.



Features

- Input voltage range: 2.7V to 30V
- Output current: 1A
- RMS noise: 3.9 μ V_{RMS} from 10Hz-100kHz
- Dropout voltage: 387mV with I_{OUT}=1A

Package Type



10 Ld CFP



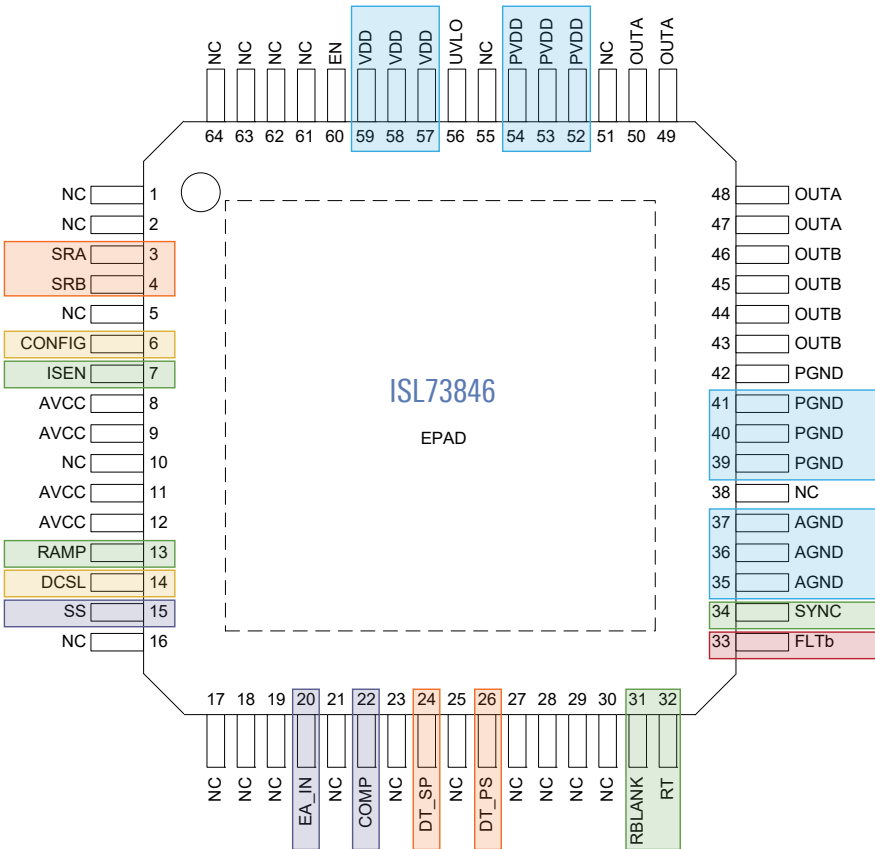
16 Ld HTSSOP

For more detail specifications, refer to "Linear Regulators (LDO)" on page 29

Power Conditioning & Distribution

High Performance Double Ended PWM Controller

The ISL73846 is a high performance, highly configurable switching controller capable of supporting a wide range of power supply topologies.



Wide 4.5V to 20V Supply Range
Includes an independent 4.5V to 20V driver supply supporting both GaN FETs and MOSFETs

Internal 8MHz GBWP Error Amplifier
Contains an option to use bypass configuration to utilize an external error amplifier

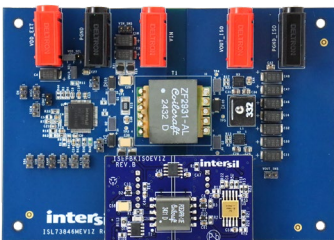
Synchronous Rectification for Improved Efficiency
Features split Primary-Secondary and Secondary-Primary deadtime control

Highly Configurable Architecture
Program the switching frequency from 20kHz to 2MHz or synchronize to external clock
Use in voltage or current mode control and configure slope compensation through RAMP and ISEN pins

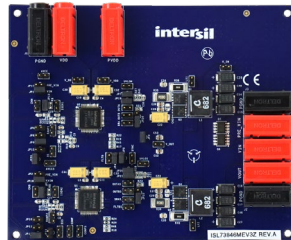
Bidirectional Fault Communication
Synchronize fault handling in multiphase architectures and startup across the power management plane

Tailored Performance Based on Application Requirements
Select the maximum duty cycle: 50% in-phase, 100% in-phase, 100% out-of-phase
Choose between three options for overcurrent response: Cycle-by-Cycle Current Limit, Hiccup, Ignore

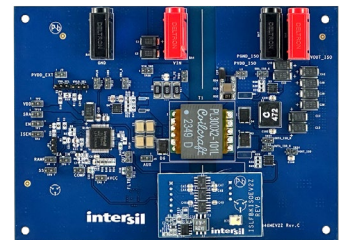
Evaluation Kits



ISL73846MEV1Z
28V to 12V, 144W Push Pull Evaluation Kit



ISL73846MEV2ZC
28V to 5V, 50W Forward Evaluation Kit



ISL73846MEV3ZA
12V to 28V, 112W Boost Leader/Follower Evaluation Kit

Features

- Additional supported topologies:
 - Active-Clamp Forward
 - Half-Bridge
 - Flyback
 - Full-Bridge

■ Package Type



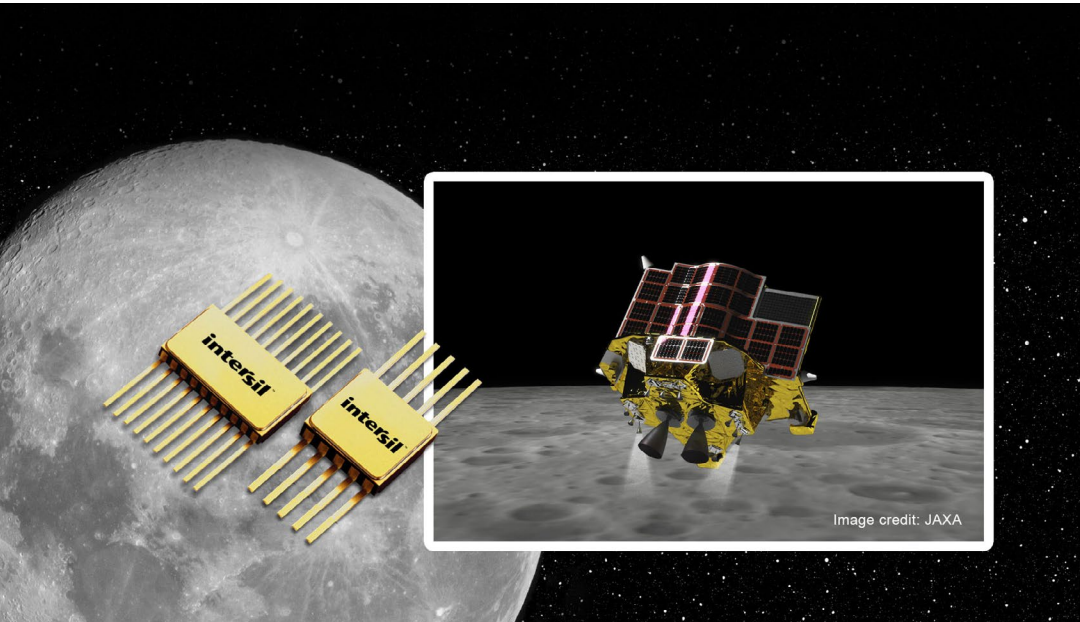
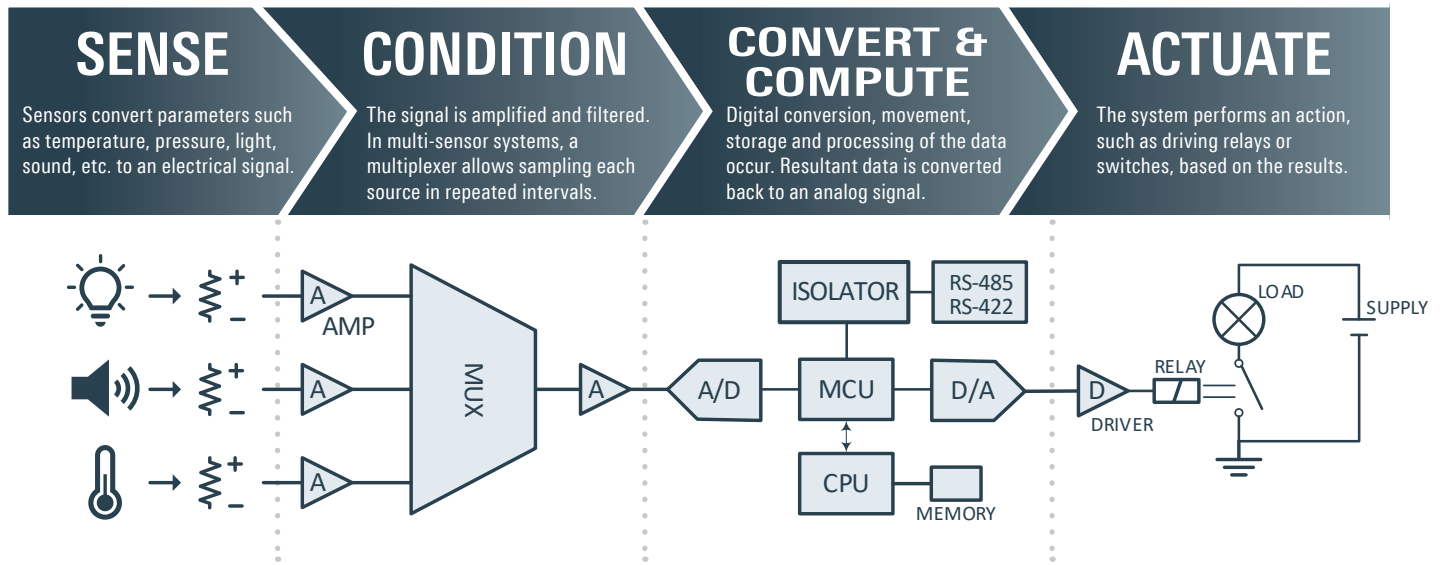
For more detail specifications, refer to "Switching Controllers" on page 29

HI-REL SIGNAL PROCESSING

LEADERS IN ANALOG SIGNAL PROCESSING

For over 70 years, Renesas has been an industry leader offering the most comprehensive selection of leading-edge space-qualified products for signal processing applications. These fundamental building blocks provide the reliability, accuracy and precision required in Command & Telemetry; Thermal Control; Altitude Control; Imaging and many other satellite subsystems.

All subsystems employing analog signal processing can be reduced to four fundamental functions:



Japan's First Moon Lander Touches Down with Renesas' Rad-Hard ICs on Board (January 2024)

Image credit: JAXA

SENSE

Current Sense Amplifiers ISL70100, ISL73100

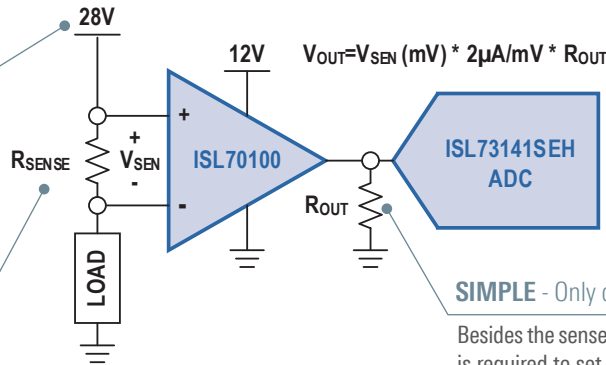
Amplifier Designed Specifically for Current Sensing Application

RELIABLE - Can monitor currents from a 28V bus voltage

$V_{IN} = -0.3V$ to 40V independent of the power supply used to bias the CSA. This allows the user to power the CSA from 3.3V, but monitor currents from a 28V bus voltage.

ACCURATE - Ultra-low input offset voltage of $10\mu V$ (typical) at 25°C

Achieve required accuracy without increasing the sense resistor value and wasting unnecessary power.



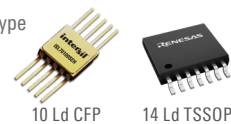
SIMPLE - Only one additional resistor is required

Besides the sense resistor, only one additional resistor on the output is required to set the overall gain of CSA. This eliminates the need for external output-to-input gain resistors.

Features

- Power supply range: 2.7V to 40V
- Input common-mode range: -0.3V to 40V
- Voltage offset: $10\mu V$ (typ), $V+ = 12V$
- Adjustable gain with a single resistor
- Transconductance: $2\mu A/mV$ (typ)
 - $\pm 1\%$ Accuracy (25°C)
 - $\pm 1.5\%$ Accuracy (-55°C, 125°C)

Package Type

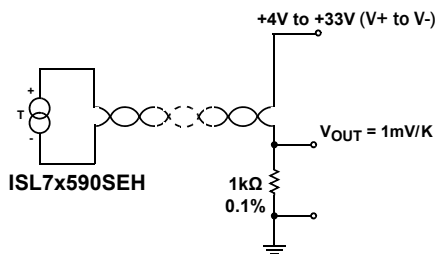


For more detail specifications, refer to "Current Sense Amplifiers" on page 24

Temperature Sensors ISL71590, ISL73590

Radiation Hardened Temperature Sensor

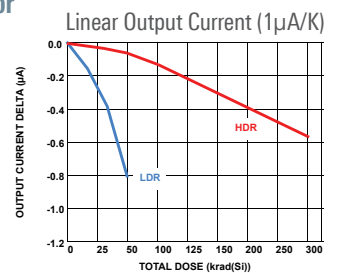
The ISL71590 and ISL73590 are temperature-to-current transducers possessing two terminals.



Typical Application

Act as Constant Current Regulator

When provided a differential voltage between 4V and 33V, the devices act as constant current regulators that generate a current equal to $1\mu A/K$.



High Impedance Current Output (>10MΩ)

Provides excellent rejection to variations in the supply line.

Features

- Wide operating supply range: 4V to 31V
- Linear output current: $1\mu A/K$
- High ESD level: 3kV HBM
- $\pm 1.7^\circ C$ absolute error from -55°C to +125°C
- $< -1^\circ C$ error over radiation
- SOI process to eliminate single event latch-up
- Best-in-class radiation performance

Package Type



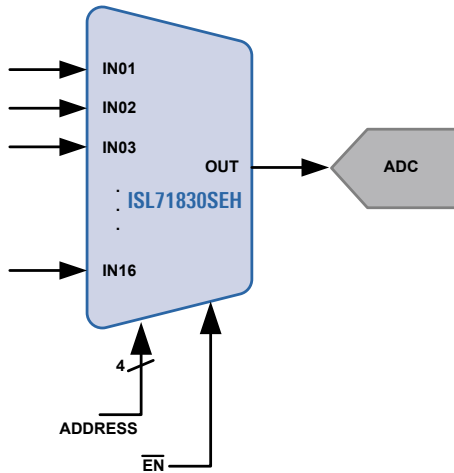
For more detail specifications, refer to "Temperature Sensors" on page 27

CONDITION

Multiplexers ISL71030, ISL71830, and ISL71831

5V Multiplexers with Industry's Best ESD Protection

The ISL71830 (16-ch), ISL71030 (16-ch), and ISL71831 (32-ch) are radiation tolerant, single supply 5V multiplexers. The 5V multiplexers address the growing trend toward reduced system voltage rails.

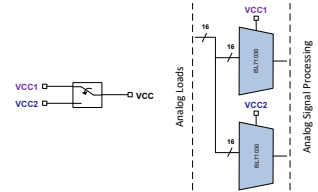


Industry's Best Electrostatic Discharge (ESD) Protection

Delivers 5kV human body model (HBM) ESD protection.

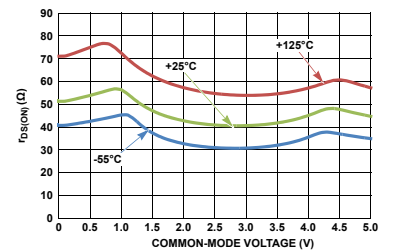
Cold-Spring Capable

Suitable for redundancy applications with off channels supporting an input voltage range from -0.4V to 7V.



Low RON and Input Leakage

Switch input off leakage of 120nA and low RON of 120Ω (max) reduces power consumption, and improves signal integrity.



rDS(ON) vs Common-Mode Voltage (V+ = 5V)

Features

- 3V to 5.5V single supply operation with adjustable logic threshold control
- Rail-to-rail switch input provides wide dynamic range for extra design flexibility
- Over-voltage shutoff protects upstream/downstream devices when a switch goes 1V-2V past the rails
- Cold sparing and analog overvoltage range from -0.4V to 7V
- Package Type



48 Ld CQFP



28 Ld CFP



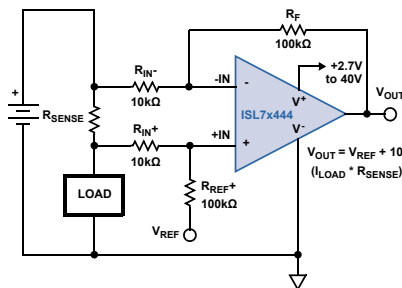
32 Ld TQFP

For more detail specifications, refer to "Multiplexers" on page 25

Op Amps ISL70444, ISL71444, ISL70244

Radiation Tolerant & Hardened Low-Power 40V Amplifiers

The ISL70444, ISL71444, and ISL70244 are optimized to provide maximum dynamic range. These devices provide low-power, low-offset voltage, and low temperature drift, making them ideal for applications requiring both high DC accuracy and AC performance.



Best-in-class Performance Across Radiation

Leverages SOI process to eliminate single event latch-up (SEL) and achieve stable performance across total ionizing dose (TID).

Rail-to-Rail Input and Output with Slew Enhanced Front-End

Provides full supply range reach on the input and output to maximize dynamic range performance.

Features

- ISL70244SEH - Dual
- ISL70444SEH, ISL71444M - Quad
- Wide supply range: ±2.25V to ±18V
- Very low supply current 490μA/amplifier
- 1.5MHz Gain bandwidth product
- Ultra low VOS: 110μV (max.)
- Low IBIAS: 5nA (max.)
- Package Type



14 Ld CFP



10 Ld CFP



14 Ld TSSOP

For more detail specifications, refer to "Operational Amplifiers" on page 26

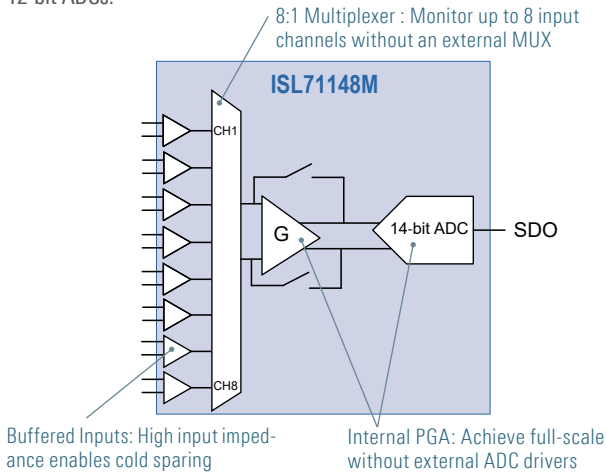
CONVERT & COMPUTE

Data Converters ISL71148 and ISL73148

8-Channel High Precision 14-bit 900/480ksps SAR ADCs

4 Times Better Measurement Accuracy

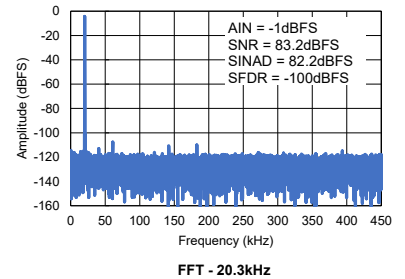
The ISL71148 and ISL73148 excel in analog-to-digital conversion with 14-bit resolution, providing 4 times better measurement accuracy than competing 12-bit ADCs.



Low Noise

SNR of 83.2dBFS (PGA bypassed) and 77dBFS (PGA gain = 2)

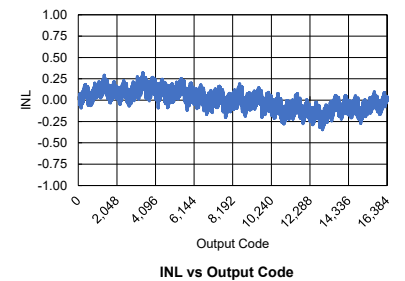
Allowing for acquisition of incredibly small voltages that enable the system processor to have precise control capabilities.



Excellent Linearity

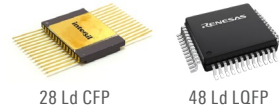
± 0.2 LSB DNL, ± 0.4 LSB INL (ISL71148)

± 0.5 LSB DNL, ± 1.5 LSB INL (ISL73148)



Features

- Analog input impedance: $>1G\Omega$, $<5pF$
- Wide 50MHz -3dB Input Bandwidth
- Low power mode operation at lower sample rates for up to 20% power savings
- 5V AVCC analog supply
- High-speed SPI-compatible serial I/O
- Package Type

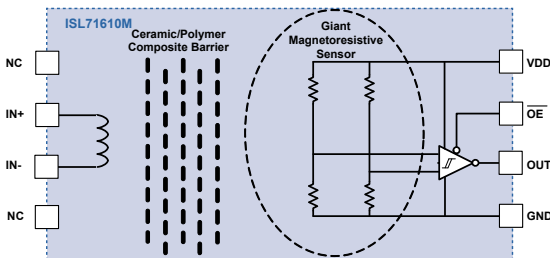


For more detail specifications, refer to "Data Converters" on page 28

Digital Isolators ISL71710 and ISL71610

Radiation Tolerant & Hardened Plastic Digital Isolators

The ISL71610 and ISL71710 are digital isolator family that leverage Giant Magnetoresistive (GMR) technology for small size, high speed, and low power.

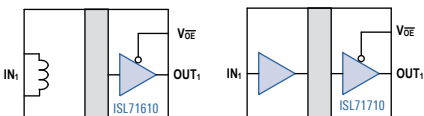


Faster Speeds Enabled

Achieving speeds up to 100Mbps for ISL71610 and 150Mbps for the ISL71710, these isolators enable faster data rates than the competition.

Radiation Performance over Optocouplers

The GMR technology leveraged in these devices provide superior radiation tolerance with mitigation against both total ionizing dose and single-event effects.



Features

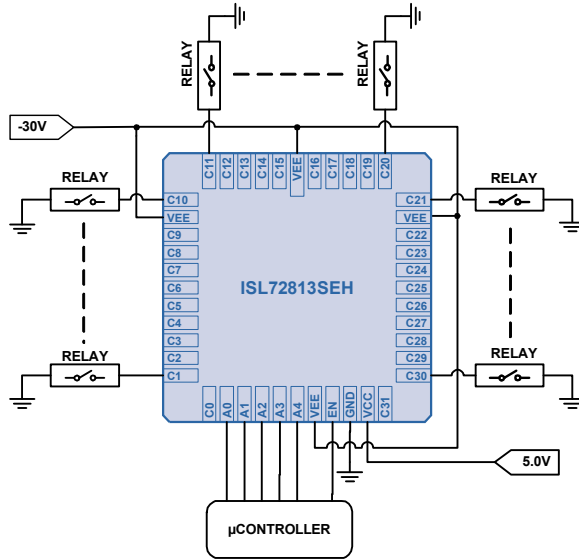
- 2.5kVRMS isolation
- Supply voltage range 3.0V to 5.5V
- 10ns propagation delay
- Low power $<1.75mA$ quiescent current
- Package Type



For more detail specifications, refer to "Digital" on page 33

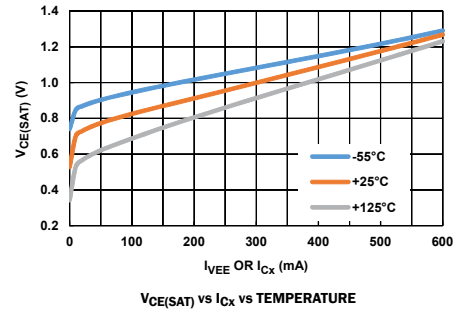
Single-Chip Rad Hard 32-Channel Driver with Integrated Decoder

The ISL72813 is the industry's first high current driver to integrate the decoder, level shifter and driver array in a single monolithic IC.



Best-in-Class Power Dissipation

Low V_{CE} saturation of 1.5V with I_C of 530mA



Features

- Acceptance tested to 50krad(Si) LDR, wafer-by-wafer
- Integrated 5-bit to 32-channel decoder and level shifting circuit
- High collector current outputs to 600mA
- High voltage outputs up to -40V
- V_{CC} supply range of 3V to 5.5V
- Extended operating temperature range of -55°C to +125°C
- HDR radiation tolerance of 100krad(Si) and LDR of 50krad(Si)
- DSEE LETTH (V_{CE} = 33V) immune up to 86.4MeV•cm² /mg

Package Type



For more detail specifications, refer to "Source Drivers" on page 32

REFERENCE DESIGNS

Renesas offers reference designs to help solve our customers' system level application challenges in space-grade systems. For more information, visit www.renesas.com/space or contact your local sales office.

Analog and Mixed Signal Reference Designs

Temperature Sensor with ADC Interface

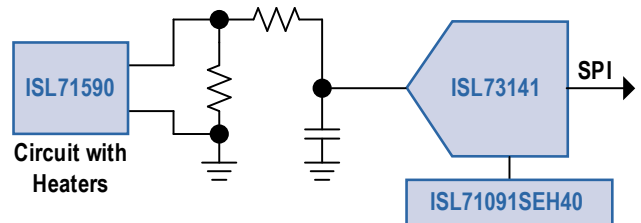
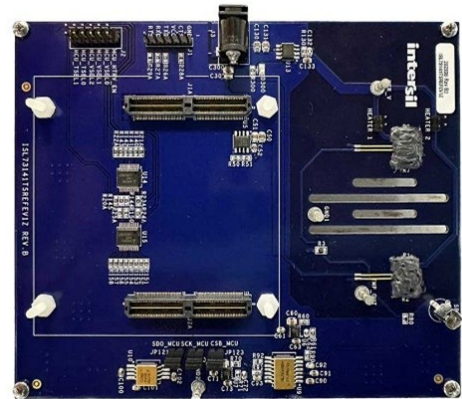
ISL73141TSREFEVKIT1Z

The ISL73141TSREFEVKIT1Z evaluation board and iRADNavigator software GUI are used to demonstrate the ISL73141 radiation hardened 14-bit 1000kps SAR ADC in a temperature monitoring application.

Renesas Radiation Hardened parts featured on ISL73141TSREFEVKIT1Z

- ISL713141SEH 14-bit 1MSPS SAR ADC
- ISL71590SEH 2-Terminal Temperature Sensor
- ISL71091SEH40 4.096V Ultra Low Noise, Precision Voltage Reference

Renesas.com/ISL73141TSREFEVKIT1Z



Battery Monitor with ADC Interface

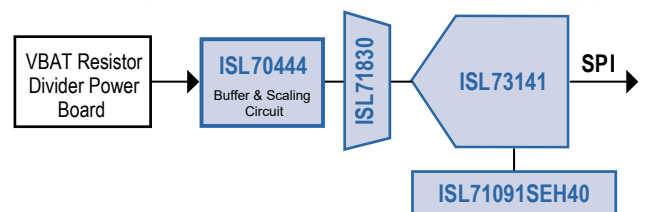
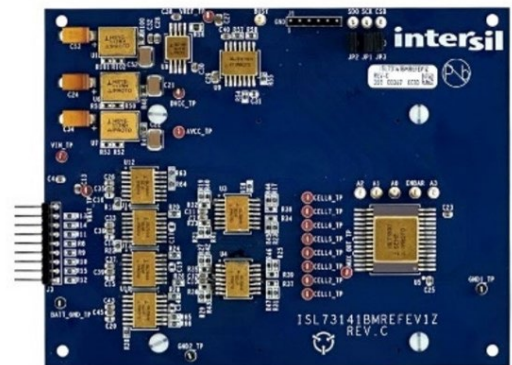
ISL73141BMREFEVKIT1Z, ISL73141BMREFEVKIT2Z

The ISL73141BMREFEVKIT1Z evaluation kit demonstrates the ISL73141 14-bit SAR ADC in an 8-cell battery voltage monitoring application. Monitoring of the lithium battery cell voltages is critical to protect the battery against undervoltage and overvoltage conditions.

Renesas Radiation Hardened parts featured on ISL73141BMREFEVKITxZ

- ISL713141SEH 14-bit 1MSPS SAR ADC
- ISL70444SEH 40V Quad Rail-to-Rail, Input-Output, Low-Power Operational Amplifier
- ISL71830SEH 5V, 16-Channel Analog Multiplexer
- ISL71091SEH40 4.096V Ultra Low Noise, Precision Voltage Reference

Renesas.com/ISL73141BMREFEVKITxZ



Radiation Hardened Voltage Monitor Evaluation Kit

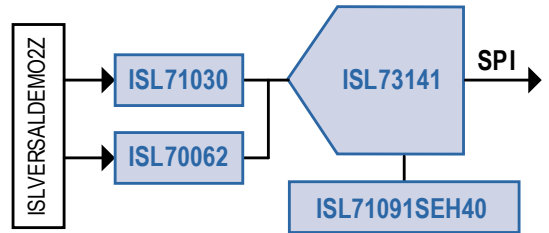
ISL73141VMREFEVKIT1Z

The ISL73141VMREFEVKIT1Z evaluation kit and iRADNavigator software GUI are used to demonstrate the ISL73141SEH 14-bit SAR ADC in a voltage monitoring application. The primary use of this evaluation kit is to pair with the ISLVERSALDEMO2Z demo board, and it is capable of monitoring up to 17 voltages.

Renesas Radiation Hardened parts featured on ISL73141VMREFEVKIT1Z

- ISL713141SEH 14-bit 1MSPS SAR ADC
- ISL71030M 5V, 16-Channel Analog Multiplexer
- ISL700062SEH 10A NMOS Load Switch
- ISL71091SEH40 4.096V Ultra Low Noise, Precision Voltage Reference

Renesas.com/ISL73141VMREFEVKIT1Z



Radiation Tolerant Voltage Monitor Evaluation Kit

ISL71148VMREFEV1Z, ISL71148VMREFEV2Z

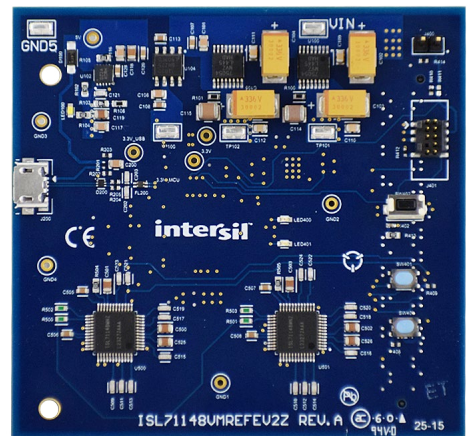
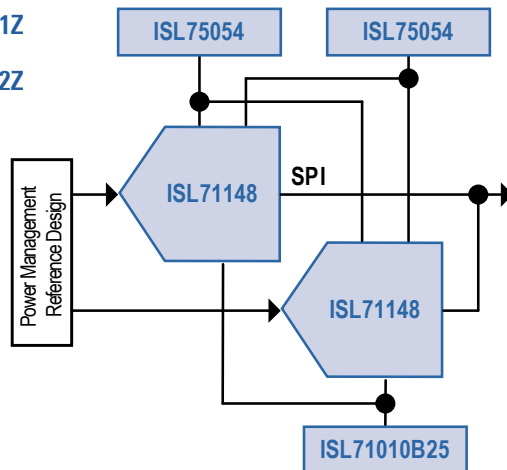
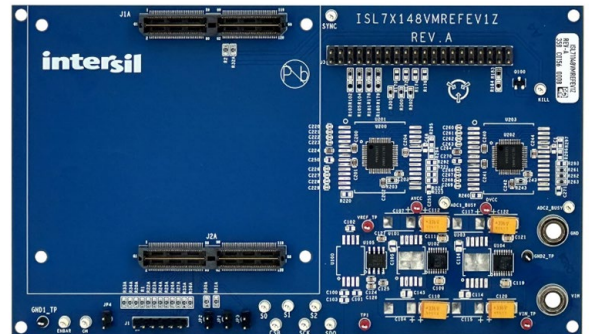
The ISL71148VMREFEV1Z and ISL71148VMREFEV2Z are high-resolution voltage monitor reference designs optimized to support the ISLVERSALDEMO3Z and ISLRTPFDEMO1Z respectively.

Renesas Radiation Tolerant parts featured on ISL71148VMREFEV1Z and ISL71148VMREFEV2Z

- ISL71148M 8-Channel, 14-bit 900/480ksps SAR ADC
- ISL75054M 30V Ultra Low Noise LDO
- ISL71010B25 2.5V Ultra Low Noise, Precision Voltage Reference

Renesas.com/ISL71148VMREFEV1Z

Renesas.com/ISL71148VMREFEV2Z



Power Management FPGA Reference Designs

Due to their flexibility in design and cost effectiveness compared to ASICs, FPGA-based systems have become increasingly common in space applications as the requirement to do more on-board processing is increasing. Equally important is the power solution of these multi-rail digital loads.

Renesas is at the forefront developing at the forefront developing leading edge Pulse Width Modulation (PWM) controllers, half-bridge GaN FET drivers, point-of-load (POL) regulators, and clock fanouts that meet the demands to power these high performance FPGAs.

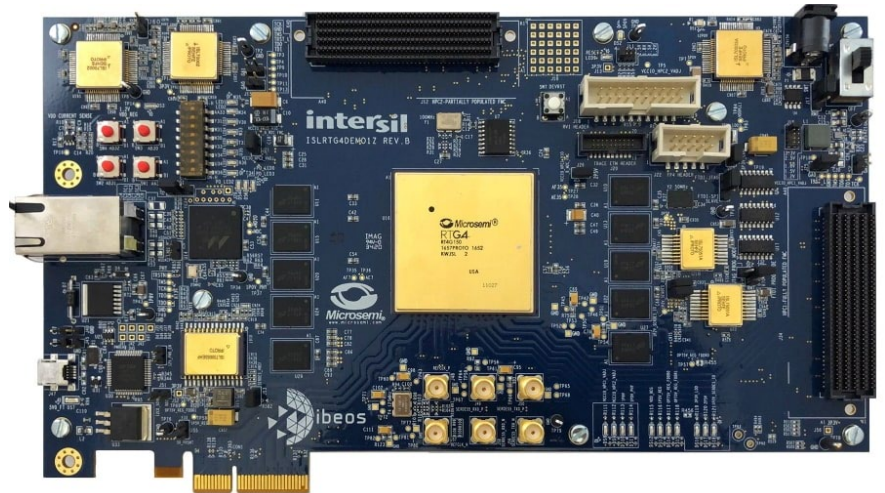
RTG4 FPGA Development Kit

ISLRTG4DEMO1Z

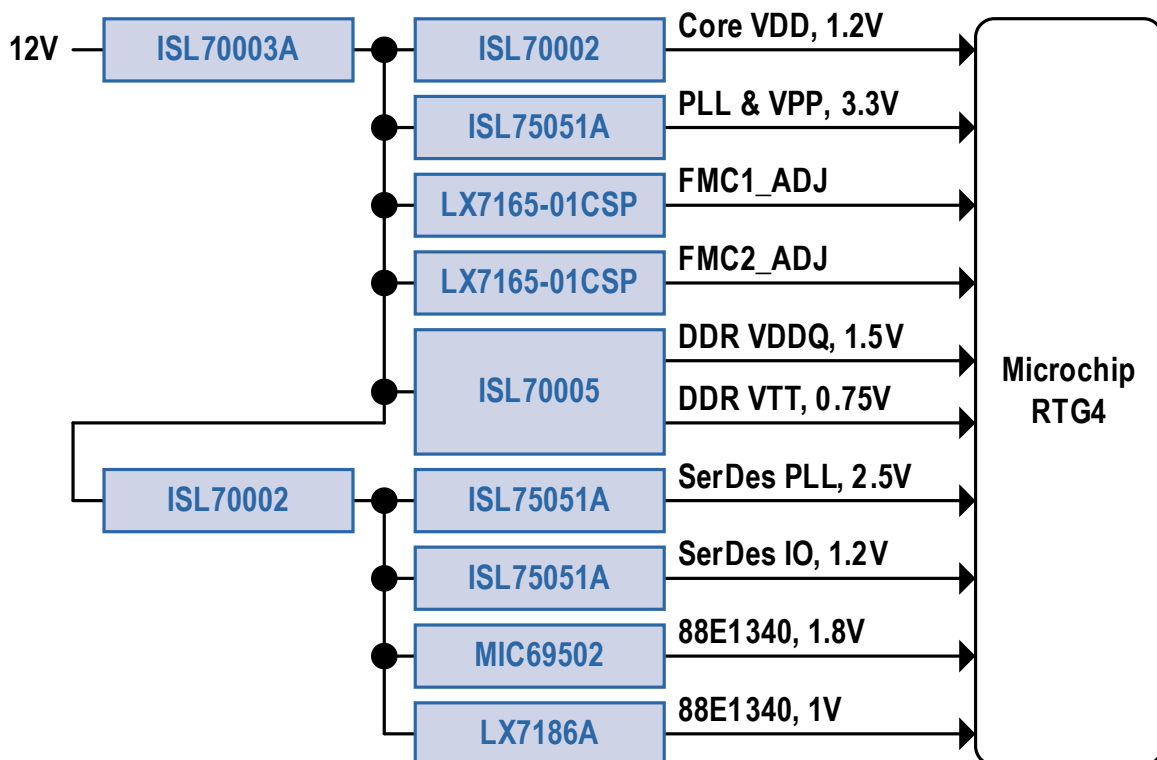
The ISLRTG4DEMO1Z evaluation board provides the power management for Microsemi's RTG4 FPGA using Renesas' Radiation Hardened Power Management Devices.

Renesas Radiation Hardened parts featured on ISLRTG4DEMO1Z

- ISL70003SEH 12V, 9A Integrated FET Synchronous Buck
- ISL70002SEH 22A Synchronous Buck with Current Sharing
- ISL75051ASEH 3A Ultra-Low Dropout Regulator
- ISL70005SEH 5V, 3A Synchronous Buck 1A Source and Sink LDO



[Renesas.com/ISLRTG4DEMO1Z](https://www.renesas.com/ISLRTG4DEMO1Z)



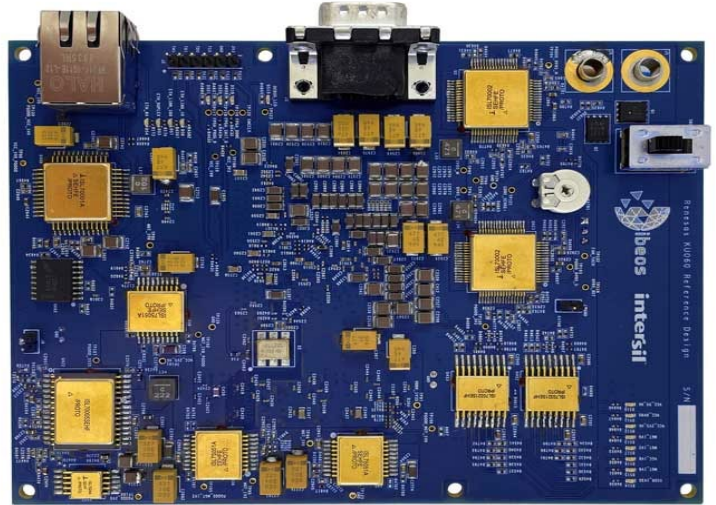
KU60 Reference Design

ISLKU060DEMO1Z

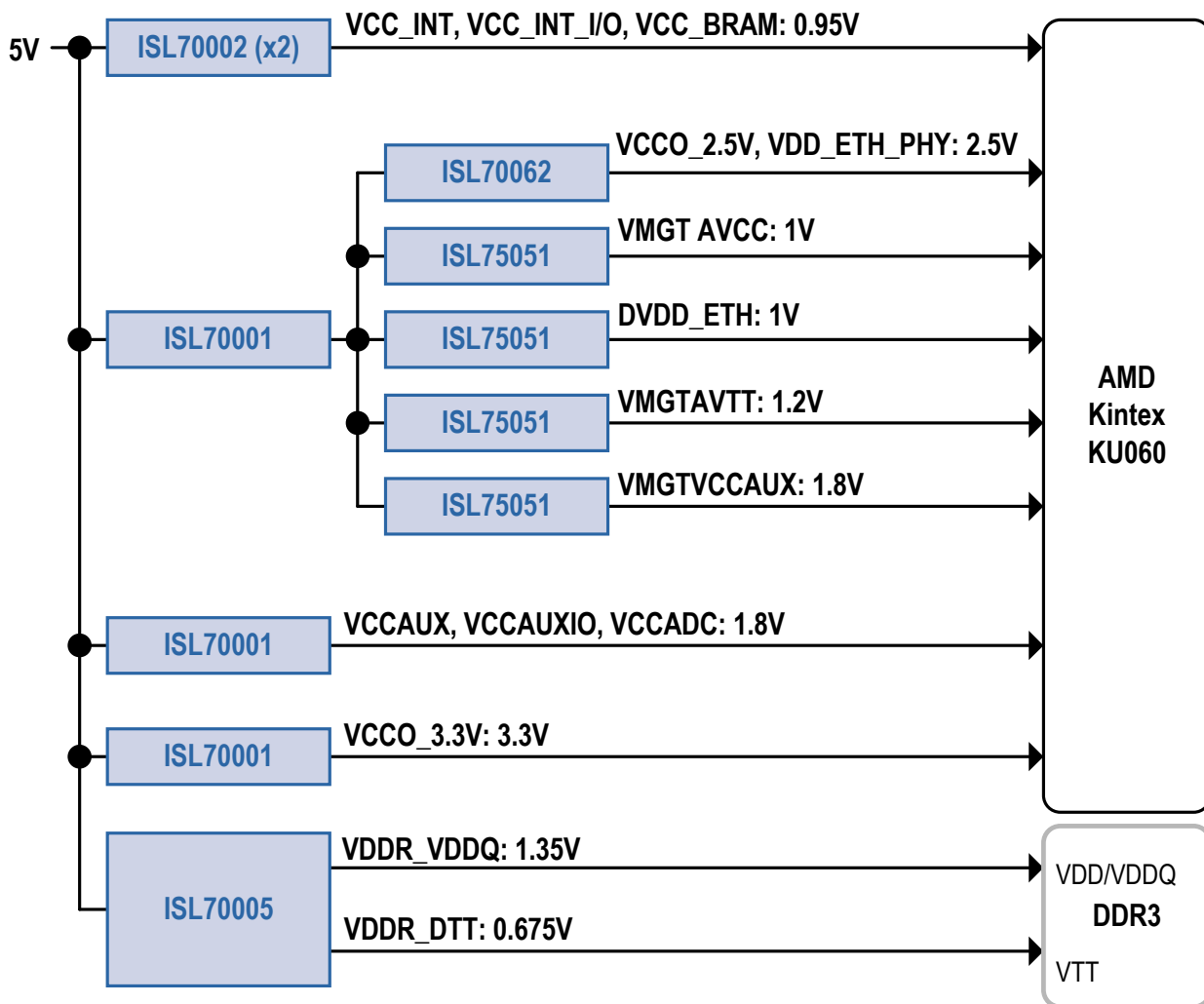
The ISLKU060DEMO1Z evaluation board provides the power management for AMD'S Kintex XQRKU060 FPGA using Renesas' Radiation Hardened Power Management Devices.

Renesas Radiation Hardened parts featured on ISLKU060DEMO1Z

- ISL70002SEH 22A Synchronous Buck w/ Current Sharing
- ISL70001ASEH 5V, 6A Integrated FET Synchronous Buck
- ISL75051ASEH 3A Ultra-Low Dropout Regulator
- ISL70005SEH 5V, 3A Synchronous Buck 1A Source and Sink LDO
- ISL700062SEH 10A NMOS Load Switch



[Renesas.com/ISLKU060DEMO1Z](https://www.renesas.com/ISLKU060DEMO1Z)



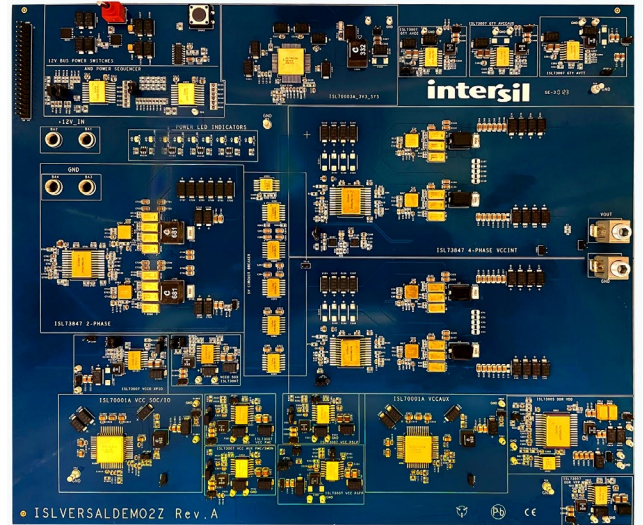
Power Management for the AMD Xilinx Space Grade VERSAL ACAP AI Core VC 1902

ISLVERSALDEMO2Z

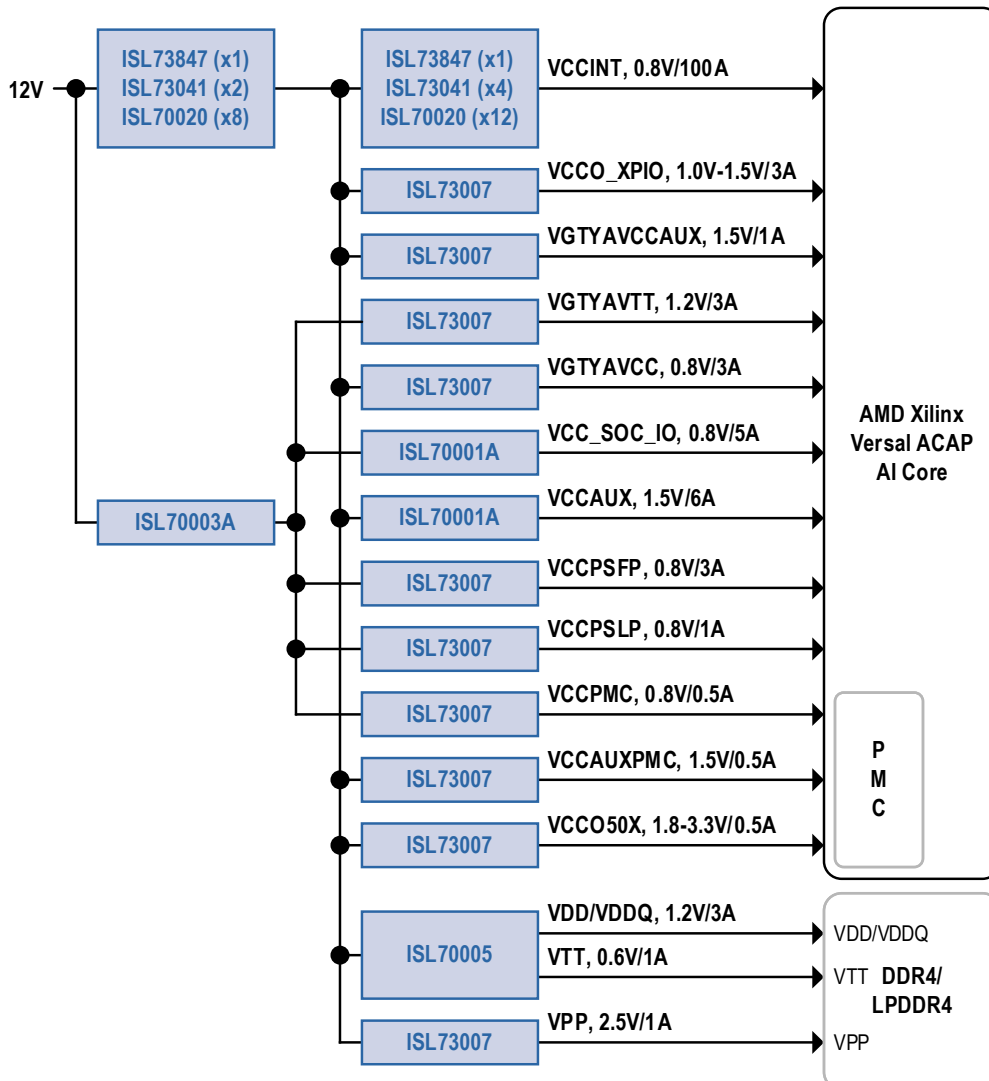
The ISLVERSALDEMO2Z evaluation board provides the power management for the AMD Xilinx Space Grade Versal ACAP AI Core VC1902 using Renesas' Radiation Hardened Power Management Devices.

Renesas Radiation Hardened parts featured on ISLVERSALDEMO2Z

- ISL73847SEH 12V Dual Phase PWM Controller
- ISL73041SEH 12V GaN Half Bridge Driver
- ISL70020SEH 40V, 65A 3.5mΩ GaN FET
- ISL70001ASEH 5V, 6A Integrated FET Synchronous Buck
- ISL70003ASEH 12V, 9A Integrated FET Synchronous Buck
- ISL73007SEH 12V, 3A Integrated FET Synchronous Buck
- ISL70005SEH 5V, 3A Synchronous Buck 1A Source and Sink LDO
- ISL70321SEH Quad Channel Supply Sequencer
- ISL70218SEH Dual 36V Precision Rail to Rail Output Operational Amplifier



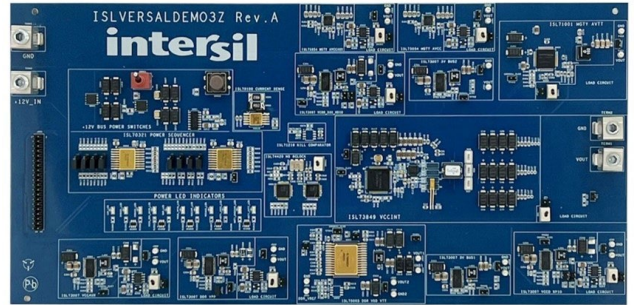
[Renesas.com/ISLVERSALDEMO2Z](https://www.renesas.com/ISLVERSALDEMO2Z)



Power Management for the AMD Xilinx Space Grade Versal ACAP AI Edge VC 2302

ISLVERSALDEMO3Z

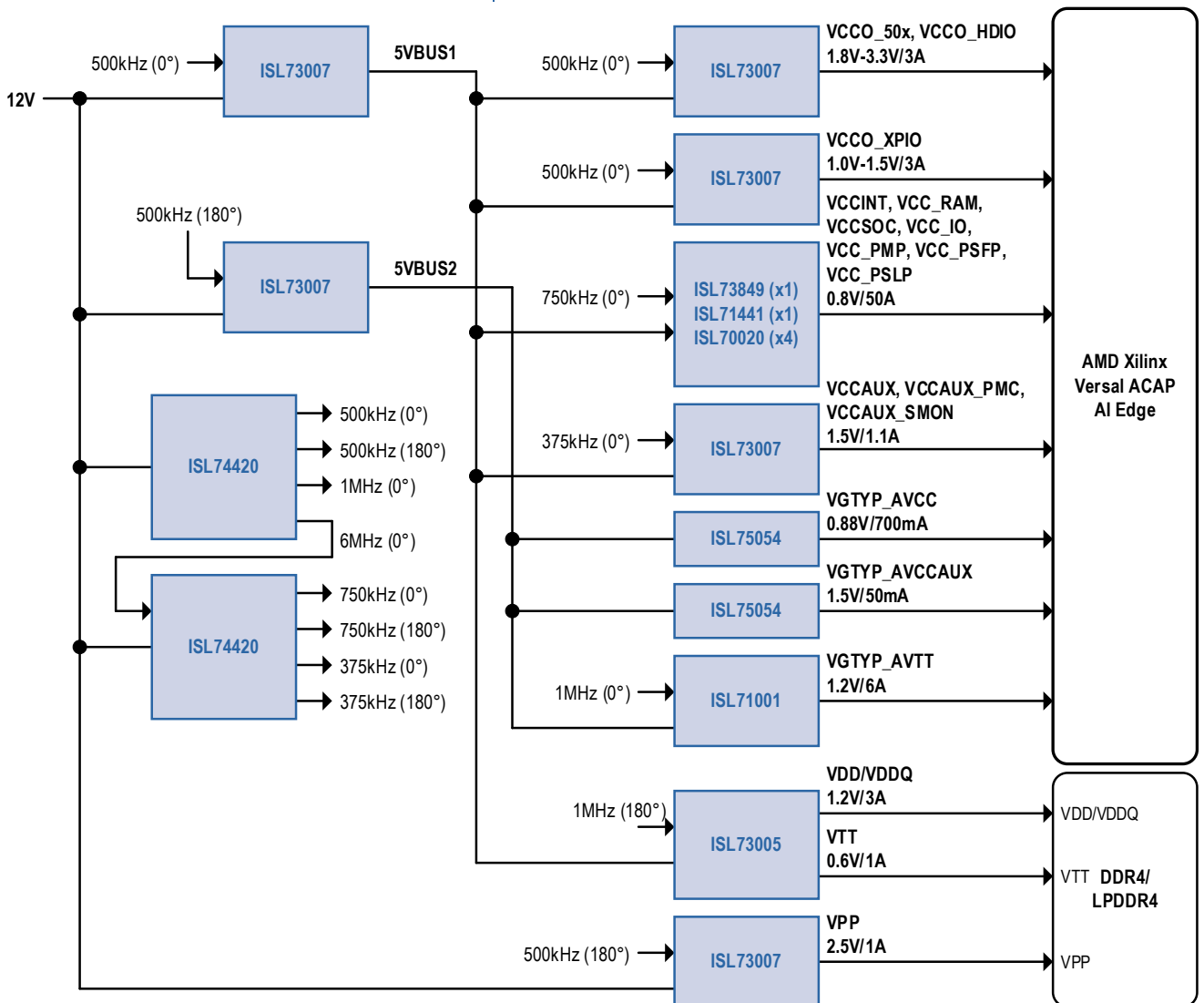
The ISLVERSALDEMO3Z evaluation board provides the power management for the AMD Xilinx Space Grade Versal ACAP AI Edge VC2302 using Renesas' Radiation Tolerant Power Management Devices.



Renesas Radiation Tolerant parts featured on ISLVERSALDEMO3Z

- ISL74420M Quad Clock Fanout
- ISL73849M 12V Single/Dual Phase PWM Controller with PMBus
- ISL71441M 12V GaN Half Bridge Driver
- ISL70020SEH 40V, 65A 3.5mΩ GaN FET
- ISL75054M 30V Ultra Low Noise LDO
- ISL71001M 5V, 6A Integrated FET Synchronous Buck
- ISL73007M 12V, 3A Integrated FET Synchronous Buck
- ISL70005SEH 5V, 3A Synchronous Buck + 1A Source and Sink LDO

[Renesas.com/ISLVERSALDEMO3Z](https://www.renesas.com/ISLVERSALDEMO3Z)



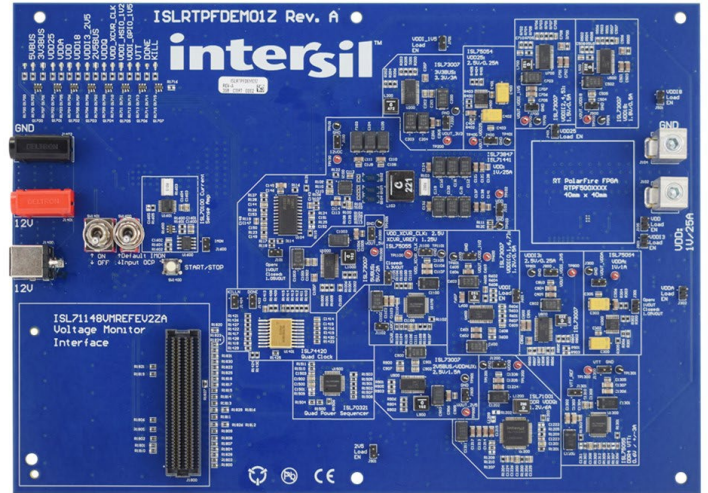
Power Management for the Microchip RT PolarFire® FPGA

ISLRTPFDEM01Z

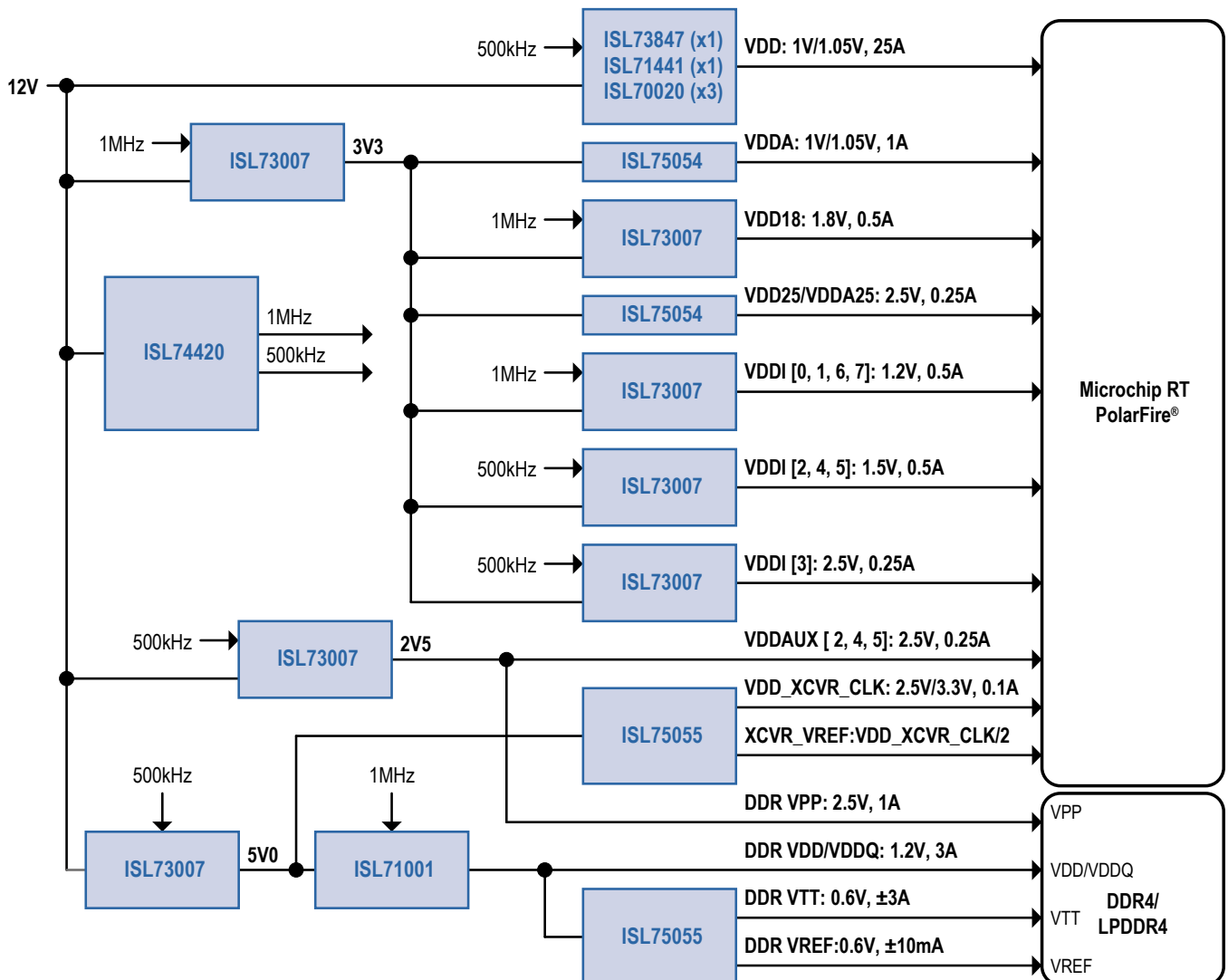
The ISLRTPFDEM01Z evaluation board provides the power management for the Microchip RT PolarFire® FPGA using Renesas' Radiation Tolerant Power Management Products.

Renesas Radiation Tolerant parts featured on ISLRTPFDEM01Z

- ISL74420M Quad Clock Fanout
- ISL73847M 12V PWM Dual Phase PWM Controller
- ISL71441M 12V GaN Half Bridge Driver
- ISL70020SEH 40V, 65A 3.5mΩ GaN FET
- ISL75054M 30V Ultra Low Noise LDO
- ISL71001M 5V, 6A Integrated FET Synchronous Buck
- ISL73007M 12V, 3A Integrated FET Synchronous Buck



[Renesas.com/ISLRTPFDEM01Z](https://www.renesas.com/ISLRTPFDEM01Z)



SPACE-GRADE PRODUCTS LIST

Analog

Screening	Production Flow
Class V	QML Class V
Class P	QML Class P
Class Q	QML Class Q
RT Plastic	Renesas Radiation Tolerant Plastic

Analog Switches

Part Number	Switch Type	Number of SW (#)	Supply Voltage (V)	R _{ON} (Ω)	Turn-On Time (max) (ns)	Turn-Off Time (max) (ns)	Temperature (°C)	TID HDR (krad(Si))	TID LDR (krad(Si))	DSEE (MeV·cm ² /mg)	Screening	Package
HS-303CEH	SPDT	2	±15	60	500	450	-55 to +125	300	50	DSEE Free (DI)	Class V	14 Ld CFP
HS-303BEH	SPDT	2	±12	70	500	450	-55 to +125	300	50	DSEE Free (DI)	Class V	14 Ld SBDIP, 14 Ld CFP
HS-303BRH								300	-	DSEE Free (DI)	Class V, Class Q	14 Ld SBDIP, 14 Ld CFP
HS-303AEH	SPDT	2	±15	70	500	450	-55 to +125	300	50	DSEE Free (DI)	Class V	14 Ld SBDIP, 14 Ld CFP
HS-303ARH								300	-	DSEE Free (DI)	Class V, Class Q	14 Ld SBDIP, 14 Ld CFP
HS-302AEH	DPST	2	±15	60	500	500	-55 to +125	100	50	DSEE Free (DI)	Class V	14 Ld CFP
HS-201HSEH	SPST	4	±15	50	110	80	-55 to +125	300	50	DSEE Free (DI)	Class V	14 Ld SBDIP, 14 Ld CFP
HS-201HSRH								300	-	DSEE Free (DI)	Class V, Class Q	14 Ld SBDIP, 14 Ld CFP

Buffers

Part Number	3dB Bandwidth (MHz)	Voltage Gain	Gain Flatness (dB)	Gain Accuracy (V/V)	Supply Current (mA)	Temperature (°C)	TID HDR (krad(Si))	TID LDR (krad(Si))	DSEE (MeV·cm ² /mg)	Screening	Package
HS-1115RH	225	+2, +1, -1	±0.1	0.99	6.9	-55 to +125	300	-	DSEE Free (DI)	Class V	8 Ld SBDIP

Comparators

Part Number	Comparator Type	Supply Voltage (V)	Input Offset Voltage V _{IO} (max) (mV (±))	Response Time (max) (ns)	Temperature (°C)	TID HDR (krad(Si))	TID LDR (krad(Si))	DSEE (MeV·cm ² /mg)	Screening	Package
ISL7119EH	Single or Dual	5 to 15	8	185	-55 to +125	300	-	86.4	Class V	10 Ld CFP
ISL7119RH						300	50	86.4	Class V, Class Q	10 Ld CFP
IS-139ASEH	Single or Dual	9 to 30	5	7000	-55 to +125	300	-	84	Class V	20 Ld CFP
IS-139ASRH						300	50	84	Class V, Class Q	20 Ld CFP
HS-139EH	Dual	5 to 30	2	7000	-55 to +125	300	-	20	Class V	14 Ld SBDIP, 14 Ld CFP
HS-139RH						300	50	20	Class V, Class Q	14 Ld SBDIP, 14 Ld CFP

Current Sense Amplifiers

Part Number	Supply Voltage (V)	Common Mode Voltage (V)	Transconductance (typ) (μA/mV)	Voltage Offset (typ) (μV)	Temperature (°C)	TID HDR (krad(Si))	TID LDR (krad(Si))	DSEE (MeV·cm ² /mg)	Screening	Package
ISL70100M	2.7 to 40	-0.3 to 40	2	10	-55 to +125	-	30, 50	43	RT Plastic	14 Ld TSSOP
ISL70100SLH						-	75	86.4	Class P	14 Ld TSSOP
ISL73100SEH						-	75	86.4	Class V	10 Ld CFP
ISL70100SEH						100	75	86.4	Class V	10 Ld CFP

Current Sources

Part Number	Supply Voltage (V)	Output Current (mA)	Accuracy (%)	Output Impedance (M Ω)	Temperature (°C)	TID HDR (krad(Si))	TID LDR (krad(Si))	DSEE (MeV·cm ² /mg)	Screening	Package
ISL73592SEH	3 to 40	1	±30	14	-55 to +125	-	75	86	Class V	4 Ld CFP
ISL70592SEH						100	75	86	Class V	4 Ld CFP
ISL73591SEH	3 to 40	0.1	±34	189	-55 to +125	-	75	86	Class V	4 Ld CFP
ISL70591SEH						100	75	86	Class V	4 Ld CFP

Multiplexers

Part Number	Configuration	Supply Voltage Range (V)	Positive Supply Current (max) (mA)	Negative Supply Current (max) (mA)	Transition Time (max)	Temperature (°C)	TID HDR (krad(Si))	TID LDR (krad(Si))	DSEE (MeV·cm ² /mg)	Screening	Package
ISL73841SEH	Single 32:1	±10.8 to ±16.5	0.4	-0.4	800ns	-55 to +125	-	50	86.4	Class V	44 Ld CQFP
ISL71841SEH							100	50	86.4	Class V	44 Ld CQFP, 44 Ld CLCC
ISL73840SEH	Single 16:1	±10.8 to ±16.5	0.35	-0.35	800ns	-55 to +125	-	50	86.4	Class V	28 Ld CFP
ISL71840SEH							100	50	86.4	Class V	28 Ld CFP
ISL71831SEH	Single 32:1	+3 to +5.5	0.3	-0.3	70ns	-55 to +125	-	75	60	Class V	48 Ld CQFP
ISL71030M	Single 16:1	+3 to +5.5	0.3	-0.3	70ns	-55 to +125	-	30, 50	43	RT Plastic	32 Ld TQFP
ISL71830SEH							-	75	60	Class V	28 Ld CFP
HS-508BEH	Single 8:1	±15	2	-1	1.5 μ s	-55 to +125	300	50	DSEE Free (DI)	Class V	16 Ld SBDIP, 16 Ld CFP
HS-508BRH							300	-	DSEE Free (DI)	Class V, Class Q	16 Ld SBDIP, 16 Ld CFP
HS-1840BEH	Single 16:1	±12	0.5	-0.5	1.5 μ s	-55 to +125	300	-	DSEE Free (DI)	Class V, Class Q	28 Ld SBDIP, 28 Ld CFP
HS-1840BRH							300	50	DSEE Free (DI)	Class V	28 Ld SBDIP, 28 Ld CFP
HS-1840AEH	Single 16:1	±15	0.5	-0.5	1.5 μ s	-55 to +125	300	-	DSEE Free (DI)	Class V, Class Q	28 Ld SBDIP, 28 Ld CFP
HS-1840ARH							300	50	DSEE Free (DI)	Class V	28 Ld SBDIP, 28 Ld CFP
HS-0548RH	Single 8:1	±15	2	-1	1 μ s	-55 to +125	10	-	DSEE Free (DI)	Class V	28 Ld CERDIP, 28 Ld SBDIP
HS-0547RH	Single 16:1	±15	2	-1	1 μ s	-55 to +125	10	-	DSEE Free (DI)	Class V	28 Ld CERDIP, 28 Ld SBDIP
HS-0546RH	Differential 8:1	±15	2	-1	1 μ s	-55 to +125	10	-	DSEE Free (DI)	Class V	28 Ld CERDIP, 28 Ld SBDIP

Operational Amplifiers

Part Number	Channels (#)	Supply Voltage (V)	Bandwidth (MHz)	Slew Rate (V/ μ s)	I _s per Amp (mA)	Noise V _n (nV/ \sqrt /Hz)	Offset Voltage (max)	I _{OUT} (mA)	Rail-toRail Input/Output	PSRR (dB)	CMRR (dB)	AVOL (dB)	Temperature (°C)	TID HDR (krad(Si))	TID LDR (krad(Si))	DSEE (MeV·cm ² /mg)	Screening	Package
ISL71444M	4	2.7 to 40	19	60	2.4	11.3	400 μ V	10	Yes	123	92	118	-55 to +125	-	30, 50	43	RT Plastic	14 Ld TSSOP
-														50	86.4	Class V	14 Ld CFP	
ISL70444SEH														100	50	86.4	Class V	14 Ld CFP
ISL73419SEH	4	4.5 to 36	1.5	0.5	0.44	8	110 μ V	43	No	120	120	129	-55 to +125	-	50	86.4	Class V	14 Ld CFP
ISL70419SEH														300	50	86.4	Class V	14 Ld CFP
ISL73244SEH	2	2.7 to 40	19	60	1.2	12.3	500 μ V	8	Yes	123	92	118	-55 to +125	-	50	86.4	Class V	10 Ld CFP
ISL70244SEH														300	50	86.4	Class V	10 Ld CFP
ISL7124SEH	4	5 to 30	1.2	0.4	3	-	10mV	10	No	70	70	86	-55 to +125	300	50	36	Class V	14 Ld CFP
ISL7124SRH														300	-	36	Class V, Class Q	14 Ld CFP
ISL70417SEH	4	4.5 to 40	1.5	0.5	0.44	8	110 μ V	43	No	120	120	129	-55 to +125	300	50	73.9	Class V	14 Ld CFP
ISL70227SEH	2	10 to 4.5	36	3.6	2.8	2.5	100 μ V	45	No	110	115	120	-55 to +125	100	50	86.4	Class V	10 Ld CFP
ISL70227SRH														100	-	86.4	Class V	10 Ld CFP
ISL70219ASEH	2	4.5 to 36	1.5	0.5	0.48	8	110 μ V	41	No	145	145	143	-55 to +125	300	50	86.4	Class V	10 Ld CFP
ISL71218M	2	3 to 30	4	1.2	1.4	5.6	290 μ V	10	No	100	97	115	-55 to +125	-	30, 50	43	RT Plastic	8 Ld SOICN
ISL70218SEH														100	50	86.4	Class V	10 Ld CFP
ISL70218SRH														100	-	86.4	Class V	10 Ld CFP
HS-0P470AEH	4	10 to 30	8	3	1.375	6	2.6mV	10	No	80	80	92	-55 to +125	100	50	86	Class V	14 Ld SBDIP, 14 Ld CFP
HS-5104AEH	4	10 to 30	8	3	1.875	6	5mV	10	No	80	80	92	-55 to +125	100	50	DSEE Free (DI)	Class V	14 Ld SBDIP, 14 Ld CFP
HS-3530AEH	1	6 to 30	0.75	0.25	0.16	-	5mV	2.5	No	80	80	300	-55 to +125	300	50	DSEE Free (DI)	Class V	8 Ld CAN, 10 Ld CFP
HS-3530ARH														300	-	DSEE Free (DI)	Class V, Class Q	8 Ld CAN, 10 Ld CFP
HS-1145RH	1	\pm 5	300	1000	6.5	3.5	10mV	28	No	46	44	92	-55 to +125	300	-	DSEE Free (DI)	Class V	8 Ld SPDIP
HS-1135RH	1	\pm 5	300	10	6.9	3.5	10mV	28	No	46	44	92	-55 to +125	300	-	DSEE Free (DI)	Class V	8 LD SBDIP, 8 LD CFP
ISL70617SEH	-	8 to 40	5.5	4	4.3	8.6	300 μ V	45	-	-	-	-	-55 to +125	-	75	60	Class V	24 Ld CFP
ISL70517SEH	-	8 to 40	5.5	4	4.3	8.6	300 μ V	45	-	-	-	-	-55 to +125	-	75	60	Class V	24 Ld CFP

Temperature Sensors

Part Number	Supply Voltage (V)	Power Consumption (mW)	Ambient Error Accuracy (°C)	Temperature (°C)	TID HDR (krad(Si))	TID LDR (krad(Si))	DSEE (MeV·cm ² /mg)	Screening	Package
ISL73590SEH	3 to 33	1.5	-0.05	-55 to +125	-	50	86.4	Class V	2 Ld CFP
ISL71590SEH					300	50	86.4	Class V	2 Ld CFP

Transistor Arrays

Part Number	NPN Transistors (#)	PNP Transistors (#)	Temperature (°C)	TID HDR (krad(Si))	TID LDR (krad(Si))	DSEE (MeV·cm ² /mg)	Screening	Package
ISL73128EH	-	5	-55 to +125	100	50	-	Class V	16 Ld CFP
ISL73128RH				100	-	-	Class V	16 Ld CFP
ISL73127EH	5	-	-55 to +125	100	50	-	Class V	16 Ld CFP
ISL73127RH				100	-	-	Class V	16 Ld CFP
ISL73096EH	3	2	-55 to +125	100	50	-	Class V	16 Ld CFP
ISL73096RH				100	-	-	Class V	16 Ld CFP

Voltage References

Part Number	Reference Voltage (V)	Accuracy (±%)	Supply Voltage (V)	Line Regulation (ppm/V)	Temperature (°C)	TID HDR (krad(Si))	TID LDR (krad(Si))	DSEE (MeV·cm ² /mg)	Screening	Package
ISL71091SEH40	4.096	0.15	6 to 30	5	-55 to +125	100	50	86	Class V	8 Ld CFP
ISL71091SEH33	3.3	0.15	4.6 to 30	5	-55 to +125	100	50	86	Class V	8 Ld CFP
ISL71091SEH20	2.048	0.15	4.2 to 30	5	-55 to +125	100	50	86	Class V	8 Ld CFP
ISL71091SEH10	10	0.15	12 to 30	5	-55 to +125	100	50	86	Class V	8 Ld CFP
ISL71090SEH75	7.5	0.15	9.2 to 30	8	-55 to +125	100	50	86	Class V	8 Ld CFP
ISL71010B50	5	0.15	7 to 30	8	-55 to +125	-	30, 50	43	RT Plastic	8 Ld SOICN
ISL71090SEH50						100	50	86	Class V	8 Ld CFP
ISL71010B25	2.5	0.15	4 to 30	8	-55 to +125	-	30, 50	43	RT Plastic	8 Ld SOICN
ISL71090SEH25						100	50	86	Class V	8 Ld CFP
IS-1009EH	2.5	0.4	-	-	-55 to +125	300	50	80	Class V	3 Ld CAN, 3 Ld CLCC

Screening	Production Flow
Class V	QML Class V
Class Ve	QML Class V Equivalent
Class Pe	QML Class P Equivalent
RT Plastic	Renesas Radiation Tolerant Plastic

Data Converters

Analog-to-Digital Converters (ADC)

Part Number	Type	Channels (#)	Resolution (bits)	Conversion Rate (Max) (kSPS)	Power Consumption (mW)	Analog Supply Voltage (V)	Integral Non-Linearity LSB	Differential Non-Linearity LSB	SFDR (dBs)	SINAD (dbFS)	Temperature (°C)	TID HDR (krad(Si))	TID LDR (krad(Si))	DSEE (MeV·cm ² /mg)	Screening	Package
ISL71148M	SAR	8	14	900	90	5	0.4	0.2	100	82	-55 to +125	-	30, 50	43	RT Plastic	48 Ld LQFP
ISL71148SLH												-	75	86	Class Pe	48 Ld LQFP
ISL73148SEH	SAR	8	14	960	90	5	1	0.5	95	82	-55 to +125	-	75	86	Class Ve	28 Ld CFP
ISL73141SEH	SAR	1	14	1000	28	3-5.5	0.5	0.2	90	79	-55 to +125	-	75	86	Class Ve	14 Ld CFP

Digital-to-Analog Converters (DAC)

Part Number	Speed	LSB Max Nonlinearity Over Temperature (%)	LSB Accuracy at 25°C (±%)	LSB Accuracy Over Temperature (±%)	Max Gain Drift (ppm/°C)	Temperature (°C)	TID HDR (krad(Si))	TID LDR (krad(Si))	DSEE (MeV·cm ² /mg)	Screening	Package
HS-565BEH	0.5LSB in 500ns (Max)	0.5	0.125	0.75	50	-55 to +125	100	50	DSEE Free (DI)	Class V	24 Ld SBDIP, 24 Ld CFP
HS-565BRH							100	-	DSEE Free (DI)	Class V	24 Ld SBDIP, 24 Ld CFP

Sample and Hold Amplifiers

Part Number	Max Acquisition Time (10V Step to 0.1%) (µs)	Max Acquisition Time (10V Step to 0.01%) (µs)	Maximum Drift Current Over Temperature (nA)	Temperature (°C)	TID HDR (krad(Si))	TID LDR (krad(Si))	DSEE (MeV·cm ² /mg)	Screening	Package
HS-2420EH	4	6	10	-55 to +125	-	50	DSEE Free (DI)	Class V	14 Ld SBDIP

Screening	Production Flow
Class V	QML Class V
Class Ve	QML Class V Equivalent
Class Pe	QML Class P Equivalent
PEMs	NASA PEMs-INST-001, SAE AS6294/1
Class Q	QML Class Q
RT Plastic	Renesas Radiation Tolerant Plastic

Power Management

Linear Regulators (LDO)

Part Number	Supply Voltage (V)	V _{OUT} (V)	I _{OUT} (max) (A)	V _{DO} @	Temperature (°C)	TID HDR (krad(Si))	TID LDR (krad(Si))	DSEE (MeV-cm ² /mg)	Screening	Package
ISL75054M	2.7 to 30	0.5 to 29.5	2	387	-55 to +125	-	30, 50	46	RT Plastic	16 Ld HTSSOP
ISL75054SLH						-	75	86	Class Ve	10 Ld CFP
ISL73052SEH	4 to 13.2	0.6 to 12.7	1.5	225	-55 to +125	-	50	86	Class V	16 Ld CFP
ISL75052SEH						100	50	86	Class V	16 Ld CFP
ISL73051ASEH	2.2 to 6	0.8 to 5	3	225	-55 to +125	-	50	85.6	Class V	18 Ld CFP
ISL75051ASEH						100	50	85.6	Class V	18 Ld CFP
ISL75051SEH						100	50	86	Class V	18 Ld CFP
ISL72991RH	-30 to -3	-26 to -2.25	1	1	-55 to +125	300	-	86.4	Class V, Class Q	28 Ld CFP
HS-117EH	4.25 to 40	1.25 to 37	1.25	4000	-55 to +125	300	50	87.4	Class V	3 Ld CLCC, 3 Ld CAN
HS-117RH						300	-	87.4	Class V, Class Q	3 Ld CLCC, 3 Ld CAN

Switching Controllers

Part Number	Supply Voltage (V)	Switching Frequency (kHz)	V _{REF} (V)	Topology	Control Mode	Number of Phases	Temperature (°C)	TID HDR (krad(Si))	TID LDR (krad(Si))	DSEE (MeV-cm ² /mg)	Screening	Package
ISL73846M	4.5 to 19	20 to 2000	0.6	Boost, Flyback, Forward, Full Bridge, Half Bridge, Push-Pull	Voltage, Peak Current Mode	2	-55 to +125	-	30, 50	46	RT Plastic	64 Ld TQFP
ISL73846SLH								-	75	86	Class Ve	24 Ld CFP
ISL73847M	4.5 to 19	250 to 1500	0.6	Sync. Buck	Peak Current Mode	2	-55 to +125	-	30, 50	46	RT Plastic	24 Ld SOICW
ISL73847SLH								-	75	86	Class Pe	24 Ld SOICW
ISL73847SEH								-	75	86	Class Ve	24 Ld CFP
ISL738845ASEH	9 to 13.2	2 to 1000	5	Buck, Boost, Flyback, Forward	Voltage, Peak Current Mode	1	-55 to +125	-	50	86	Class V	8 Ld SBDIP, 8 Ld CFP
ISL78845ASEH								100	50	86	Class V	8 Ld SBDIP, 8 Ld CFP
ISL78845ASRH								100	-	86	Class V, Class Q	8 Ld SBDIP, 8 Ld CFP
ISL71043M	9 to 13.2	2 to 1000	5	Buck, Boost, Flyback, Forward	Voltage, Peak Current Mode	1	-55 to +125	-	30, 50	43	RT Plastic	8 Ld SOICN
ISL738843ASEH								-	50	86	Class V	8 Ld SBDIP, 8 Ld CFP
ISL78843ASEH								100	100	86	Class V	8 Ld SBDIP, 8 Ld CFP
ISL78843ASRH								100	-	86	Class V, Class Q	8 Ld SBDIP, 8 Ld CFP
ISL71041M	9 to 13.2	2 to 1000	5	Buck, Boost, Flyback, Forward	Voltage, Peak Current Mode	1	-55 to +125	-	30, 50	43	RT Plastic	8 Ld SOICN
ISL738841ASEH								-	50	86	Class V	8 Ld SBDIP, 8 Ld CFP
ISL78841ASEH								100	50	86	Class V	8 Ld SBDIP, 8 Ld CFP
ISL78841ASRH								100	-	86	Class V, Class Q	8 Ld SBDIP, 8 Ld CFP
ISL738840ASEH	9 to 13.2	2 to 1000	5	Buck, Boost, Flyback, Forward	Voltage, Peak Current Mode	1	-55 to +125	-	50	86	Class V	8 Ld SBDIP, 8 Ld CFP
ISL78840ASEH								100	50	86	Class V	8 Ld SBDIP, 8 Ld CFP
ISL78840ASRH								100	-	86	Class V, Class Q	8 Ld SBDIP, 8 Ld CFP
ISL71823ASRH	12 to 30	10 to 3000	5.1	Boost, Flyback, Forward, Full Bridge, Half Bridge, Push-Pull	Voltage, Peak Current Mode	2	-55 to +125	300	-	86.3	Class V, Class Q	16 Ld SBDIP, 20 Ld CFP
ISL71823BSRH								300	-	86.3	Class V, Class Q	16 Ld SBDIP, 20 Ld CFP
IS-1825ASRH	12 to 30	10 to 3000	5.1	Boost, Flyback, Forward, Full Bridge, Half Bridge, Push-Pull	Voltage, Peak Current Mode	2	-55 to +125	300	-	86.3	Class V, Class Q	16 Ld SBDIP, 20 Ld CFP
IS-1825BSEH								300	50	86.3	Class V, Class Q	16 Ld SBDIP, 20 Ld CFP
IS-1825BSRH								300	-	86.3	Class V, Class Q	16 Ld SBDIP, 20 Ld CFP

Switching Controllers

Part Number	Supply Voltage (V)	Switching Frequency (kHz)	V _{REF} (V)	Topology	Control Mode	Number of Phases	Temperature (°C)	TID HDR (krad(Si))	TID LDR (krad(Si))	DSEE (MeV·cm ² /mg)	Screening	Package
IS-1845ASEH	12 to 30	4 to 2000	5	Buck, Boost, Flyback, Forward	Voltage, Peak Current Mode	1	-55 to +125	300	50	89.1	Class V	8 Ld SBDIP, 18 Ld CFP
IS-1845ASRH								300	50	89.1	Class V, Class Q	8 Ld SBDIP, 18 Ld CFP
HS-1825AEH	12 to 30	10 to 3000	5.1	Boost, Flyback, Forward, Full Bridge, Half Bridge, Push-Pull	Voltage, Peak Current Mode	2	-55 to +125	300	50	86.3	Class V	16 Ld SBDIP, 16 Ld CFP
HS-1825ARH								300	-	86.3	Class V, Class Q	16 Ld SBDIP, 16 Ld CFP

GaN FET Drivers

Part Number	Driver Type	Bus Voltage (max) (V)	Number of Drivers (#)	Output Type	Regulated Gate Drive (V)	Peak Output Source/Sink Current (A)	Input VCC (V)	Low Side Rise/Fall Time (ns)	High Side Rise/Fall Time (ns)	Temperature (°C)	HDR RLAT (krad(Si))	LDR RLAT (krad(Si))	DSEE (MeV·cm ² /mg)	Screening	Package
ISL71441M	Half Bridge	12	2	Sync.	4.5 to 5.5	2, 4 (HS) 4, 8 (LS)	4.75 to 13.2	34, 30	25, 25	-55 to +125	-	30, 50	43	RT Plastic	20 Ld QFN
ISL71441SLH												75	86	PEMS	20 Ld QFN
ISL73041SEH												75	86	Class Ve	16 Ld CLCC
ISL71040M	Low Side	-	1	Inverting/Non-inverting	4.5	1.5, 2.8	4.5 to 13.2	90, 60	-	-55 to +125	-	30, 50	43	RT Plastic	8 Ld TDFN
ISL73040SEH											-	75	86	Class V	8 Ld CLCC
ISL70040SEH											100	75	86	Class V	8 Ld CLCC

MOSFET Drivers

Part Number	Driver Type	Bus Voltage (Max) (V)	Number of Drivers (#)	Output Type	Peak Output Source/Sink Current (A)	Input Vcc (V)	Low Side Rise/Fall Time (ns)	High Side Rise/Fall Time (ns)	Temperature (°C)	TID HDR (krad(Si))	TID LDR (krad(Si))	DSEE (MeV·cm ² /mg)	Screening	Package
ISL7457SRH	Low Side	-	4	Non-Inv.	±2	4.5 to 16.5	20, 20	-	-55 to +125	10	-	40	Class V, Class Q	16 Ld CFP
ISL74422ARH	Low Side	-	1	Non-Inv.	±9	7 to 18	105, 90	-	-55 to +125	300	-	DSEE Free (DI)	Class V, Class Q	16 Ld CFP
ISL74422BRH						8 to 18	135, 135			300	-	DSEE Free (DI)	Class V, Class Q	16 Ld CFP
IS-2100AEH	Half Bridge	130	1	Sync.	±1.5	12 to 20	40, 40	40, 40	-55 to +125	300	50	90	Class V	16 Ld CFP
IS-2100ARH										300	-	90	Class V	16 Ld CFP
IS-1715AEH	Low Side	-	2	Comp.	±3	10 to 18	50, 50	-	-55 to +125	300	50	90	Class V, Class Q	16 Ld CFP
IS-1715ARH										300	-	90	Class V, Class Q	16 Ld CFP
HS-4424EH	Low Side	-	2	Non-Inv.	±2	12 to 18	75, 75	-	-55 to +125	300	50	60	Class V	16 Ld CFP
HS-4424RH										300	-	60	Class V, Class Q	16 Ld CFP
HS-4424DEH	Low Side	-	2	Non-Inv.	±2	8 to 18	75, 75	-	-55 to +125	300	50	60	Class V	16 Ld CFP
HS-4424DRH										300	-	60	Class V	16 Ld CFP
HS-4424BEH	Low Side	-	2	Non-Inv.	±2	12 to 18	75, 75	-	-55 to +125	300	50	60	Class V	16 Ld CFP
HS-4424BRH										300	-	60	Class V, Class Q	16 Ld CFP
HS-4423BEH	Low Side	-	2	Inv.	±2	12 to 18	95, 95	-	-55 to +125	300	50	60	Class V	16 Ld CFP
HS-4423EH	Low Side	-	2	Inv.	±2	12 to 18	95, 95	-	-55 to +125	300	50	60	Class V	16 Ld CFP
HS-4423BRH										300	-	60	Class V, Class Q	16 Ld CFP
HS-4423RH										300	-	60	Class V, Class Q	16 Ld CFP
HS-4080AEH	Full Bridge	80	1	Sync.	±2.5	12 to 15	65, 80	65, 80	-55 to +125	300	50	90.9	Class V	20 Ld CFP

Switching Regulators

Part Number	# of Outputs	Topology	Supply Voltage (V)	Output Voltage (V)	I _{OUT} (Max) (A)	Switching Freq (kHz)	Control Type	Temperature (°C)	HDR RLAT (krad(Si))	LDR RLAT (krad(Si))	DSEE (MeV·cm ² /mg)	Screening	Package
ISL73007M	1	Buck	3 to 18	0.6 to 16	3	300 to 1000	Current Mode	-55 to +125	-	30, 50	46	RT Plastic	28 Ld TSSOP
ISL73007SEH									-	75	86	Class Ve	14 Ld CFP
ISL73006SLH	1	Buck	3 to 18	0.6 to 16	1	500	Current Mode	-55 to +125	-	75	86	Class Ve	10 Ld CFP
ISL73005SEH	2	Buck, LDO	3 to 5.5,	0.6 to 4.675,	3, ±1	100 to 1000	Voltage Mode	-55 to +125	-	75	86	Class V	28 Ld CFP
ISL70005SEH									100	75	86	Class V	28 Ld CFP
ISL70003ASEH	1	Buck	3 to 13.2	0.6 to 11.9	9	300, 500	Voltage Mode	-55 to +125	100	100	86	Class V	64 Ld CQFP
ISL73002SEH	1	Buck	3 to 6.2	0.6 to 4.675	22	500, 1000	Current Mode	-55 to +125	-	100	86	Class V	64 Ld CQFP
ISL70002SEH									100	100	86	Class V	64 Ld CQFP
ISL71001M	1	Buck	3 to 5.5	0.6 to 4.675	6	1000	Current Mode	-55 to +125	-	30, 50	43	RT Plastic	64 Ld TQFP
ISL71001SLHM									-	75	86	PEMS	64 Ld TQFP
ISL70001ASEH									100	50	86	Class V	48 Ld CQFP
ISL70001SEH									100	100	86	Class V	48 Ld CQFP
ISL70001SRH									100	-	86	Class V, Class Q	48 Ld CQFP

Supervisors

Part Number	Supply Voltage (min) (V)	Supply Voltage (max) (V)	Threshold Detector Voltage (V)	Reset Output Type	Temperature (°C)	TID HDR (krad(Si))	TID LDR (krad(Si))	DSEE (MeV·cm ² /mg)	Flow	Package
ISL736AEH	1.2	3.6	0.6	Active Low Push-Pull	-55 to +125	-	50	86	Class V	8 Ld CFP
ISL706AEH						100	50	86	Class V	8 Ld CFP
ISL706ARH						100	-	86	Class V, Class Q	8 Ld CFP
ISL736BEH	1.2	3.6	0.6	Active High Push-Pull	-55 to +125	-	50	86	Class V	8 Ld CFP
ISL706BEH						100	50	86	Class V	8 Ld CFP
ISL706BRH						100	-	86	Class V, Class Q	8 Ld CFP
ISL736CEH	1.2	3.6	0.6	Active Low Open-Drain	-55 to +125	-	50	86	Class V	8 Ld CFP
ISL706CEH						100	50	86	Class V	8 Ld CFP
ISL706CRH						100	-	86	Class V, Class Q	8 Ld CFP
ISL735AEH	1.2	5.5	1.2	Active Low Push-Pull	-55 to +125	-	50	86	Class V	8 Ld CFP
ISL705AEH						100	50	86	Class V	8 Ld CFP
ISL705ARH						100	-	86	Class V, Class Q	8 Ld CFP
ISL735BEH	1.2	5.5	1.2	Active High Push-Pull	-55 to +125	-	50	86	Class V	8 Ld CFP
ISL705BEH						100	50	86	Class V	8 Ld CFP
ISL705BRH						100	-	86	Class V, Class Q	8 Ld CFP
ISL735CEH	1.2	5.5	1.2	Active Low Open-Drain	-55 to +125	-	50	86	Class V	8 Ld CFP
ISL705CEH						100	50	86	Class V	8 Ld CFP
ISL705CRH						100	-	86	Class V, Class Q	8 Ld CFP

Power Timing

Part Number	Supply Voltage (V)	Output Clock Supply Voltage (V)	Number of Clock Outputs (#)	Clock Frequency	Digital Interface	Cascadable?	Temperature (°C)	TID HDR (krad(Si))	TID LDR (krad(Si))	DSEE (MeV·cm ² /mg)	Screening	Package
ISL74420M	3 to 18	3 to 5.5	4	25kHz to 48MHz	I ² C	Yes	-55 to +125	-	30, 50	46	RT Plastic	48 Ld TQFP-EP
ISL74420SLH	3 to 18	3 to 5.5	4	25kHz to 48MHz	I ² C	Yes	-55 to +125	-	75	86	Class Pe	48 Ld TQFP-EP
								-	75	86	Class Ve	48 Ld CFP

Power Sequencing

Part Number	Supply Voltage (V)	Number of Controlled Supplies (#)	Output Type	P _{GOOD} Timer	Programmable Delay	Cascadable?	Temperature (°C)	TID HDR (krad(Si))	TID LDR (krad(Si))	DSEE (MeV·cm ² /mg)	Flow	Package
ISL73321SEH	3 to 13.2	4	Enable Open Drain	Yes	Yes	Yes	-55 to +125	-	75	86	Class V	18 Ld CFP
ISL70321SEH								100	75	86	Class V	18 Ld CFP

Source Drivers

Part Number	Supply Voltage (V)	Input Voltage (V)	Integrated Decoder?	Number of Outputs (#)	Output Source Current (max) (mA)	Saturation Voltage (max) (V)	Temperature (°C)	TID HDR (krad(Si))	TID LDR (krad(Si))	DSEE (MeV·cm ² /mg)	Screening	Package
ISL73814SEH	0 to 14.7	0 to 42	Yes	16	700	1.5	-55 to +125	-	75	86	Class V	28 Ld CFP
ISL72814SEH								100	75	86	Class V	28 Ld CFP
ISL72813SEH	0 to 6.5	0 to -42	Yes	32	600	1.45	-55 to +125	100	50	86	Class V	44 Ld CLCC
IS-2981EH	5 to 80	0 to 20	No	8	200	1.5	-55 to +125	100	50	DSEE Free (DI)	Class V	18 LD SBDIP
IS-2981RH								100	-	DSEE Free (DI)	Class V, Class	18 LD SBDIP

Protection Switches

Part Number	FET Pass Device Type	Supply Voltage (V)	SWI Input Voltage (V)	Continuous Switch Current (max) (A)	R _{ON} (Typ) (mΩ)	Temperature (°C)	TID HDR (krad(Si))	TID LDR (krad(Si))	DSEE (MeV·cm ² /mg)	Screening	Package
ISL73062SLH	NMOS	3 to 5.5	0 to 3.5	10	25	-55 to +125	-	75	86	Class V	14 Ld CFP
ISL70062SEH							100	75	86	Class V	14 Ld CFP
ISL73061SEH	PMOS	-	3 to 5.5	10	14	-55 to +125	-	75	86	Class V	14 Ld CFP
ISL70061SEH							100	75	86	Class V	14 Ld CFP

Power Discretes

Screening	Production Flow
PEMs	NASA PEMS-INST-001, SAE AS6294/1
RH GaN FET	RH Hermetic GaN FET (Class Ve)

GaN FET Power Stages

Part Number	R _{DS(on)} (typ) (mΩ)	Input Voltage (V)	Regulated Gate Drive (V)	V _{IH} (V)	V _{IL} (V)	Temperature (°C)	TID HDR (krad(Si))	TID LDR (krad(Si))	DSEE (MeV·cm ² /mg)	Screening	Package
ISL73033SLHM	7.5	4.5 to 13.2	4.5	1.7	1.4	-55 to +125	-	75	86	PEMS	81 Ball FBGA

GaN FETs

Part Number	V _{DS} (V)	I _{DS} (A)	V _{GS(TH)} (max) (V)	V _{GS} (max) (V)	R _{DS(on)} (typ) (mΩ)	Q _g typ (nC)	Thermal Resistance θ _{JC} (°C/W)	Temperature (°C)	TID HDR (krad(Si))	TID LDR (krad(Si))	DSEE (MeV·cm ² /mg)	Screening	Package
ISL73024SEH	200	7.5	2.5	6	45	14	18.7	-55 to +125	-	75	86	RH GaN FET	4 Ld CLCC
ISL70024SEH									100	75	86	RH GaN FET	4 Ld CLCC
ISL73023SEH	100	60	2.5	6	5	2.5	3.1	-55 to +125	-	75	86	RH GaN FET	4 Ld CLCC
ISL70023SEH									100	75	86	RH GaN FET	4 Ld CLCC
ISL73020SEH	40	65	2.5	6	3.5	19	3.1	-55 to +125	-	75	86	RH GaN FET	4 Ld CLCC
ISL70020SEH									100	75	86	RH GaN FET	4 Ld CLCC

Digital

Screening	Production Flow
PEMs	NASA PEMS-INST-001, SAE AS6294/1
RT Plastic	Renesas Radiation Tolerant Plastic

Digital Isolators

Part Number	Input Type	Supply Voltage (V)	Isolation Voltage (min) (kVRMS)	Data Rate (Mbps)	Output Format	Propagation Delay	Temperature (°C)	TID HDR (krad(Si))	TID LDR (krad(Si))	DSEE (MeV·cm ² /mg)	Screening	Package
ISL71710M	High Impedance	3.3 to 5	2.5	150	CMOS	10	-55 to +125	-	30, 50	43	RT Plastic	8 Ld SOICN
-								75	86	PEMs	8 Ld SOICN	
ISL71610M	Passive	3.3 to 5	2.5	100	CMOS	8	-55 to +125	-	30, 50	43	RT Plastic	8 Ld SOICN
ISL71610SLHM								-	75	86	PEMs	8 Ld SOICN

Interface

Screening	Production Flow
Class V	QML Class V
Class Q	QML Class Q
Class T	QML Class T
RT Plastic	Renesas Radiation Tolerant Plastic

CAN Transceivers

Part Number	Supply Voltage (V)	Common Mode Input Range (V)	Loopback Feature	VREF Output	Listen Mode	Shutdown Mode	Temperature (°C)	TID HDR (krad(Si))	TID LDR (krad(Si))	DSEE (MeV·cm ² /mg)	Screening	Package
ISL72028SEH	3 to 3.6	-7 to 12	No	Yes	No	Yes	-55 to +125	-	75	60	Class V	8 Ld CFP
ISL72028ASEH								-	75	86.4	Class V	8 Ld CFP
ISL72028BSEH								100	75	86.4	Class V	8 Ld CFP
ISL72028CSEH								100	75	86.4	Class V	8 Ld CFP
ISL72027SEH	3 to 3.6	-7 to 12	No	Yes	Yes	No	-55 to +125	-	75	60	Class V	8 Ld CFP
ISL72027ASEH								-	75	86.4	Class V	8 Ld CFP
ISL72027BSEH								100	75	86.4	Class V	8 Ld CFP
ISL72027CSEH								100	75	86.4	Class V	8 Ld CFP
ISL71026M	3 to 3.6	-7 to 12	Yes	No	Yes	No	-55 to +125	-	30, 50	43	RT Plastic	14 Ld TSSOP
ISL72026SEH								-	75	60	Class V	8 Ld CFP
ISL72026ASEH								-	75	86.4	Class V	8 Ld CFP
ISL72026BSEH								100	75	86.4	Class V	8 Ld CFP
ISL72026CSEH								100	75	86.4	Class V	8 Ld CFP

RS-485/RS-422

Part Number	Type	Supply Voltage (V)	Output Low Voltage (V)	Output High Voltage (V)	Input Low Voltage	Input High Voltage (V)	Temperature (°C)	TID HDR (krad(Si))	TID LDR (krad(Si))	SEE (MeV·cm ² /mg)	Screening	Package
HS-26CT32EH	Line Receiver	4.5 to 5.5	0.8	VDD/2	-	-	-55 to +125	300	50	100	Class V	16 Ld SBDIP, 16 Ld CFP
HS-26CT32RH								300	-	100	QML-V, QML-Q	
HS-26CT31EH	Line Driver	4.5 to 5.5	-	-	0.8	VDD/2	-55 to +125	300	50	100	Class V	16 Ld SBDIP, 16 Ld CFP
HS-26CT31RH								300	-	100	QML-V, QML-Q	
HS-26CLV32EH	Line Receiver	3 to 3.6	0.4	2.55	-	-	-55 to +125	300	50	100	Class V	16 Ld SBDIP, 16 Ld CFP
HS-26CLV32RH								300	-	100	QML-V, QML-Q	
HS-26CLV31EH	Line Driver	3 to 3.6	-	-	0.3 VDD	0.7 VDD	-55 to +125	300	50	100	Class V	16 Ld SBDIP, 16 Ld CFP
HS-26CLV31RH								300	-	100	QML-V, QML-Q	
HS-26C32EH	Line Receiver	4.5 to 5.5	0.4	4.1	-	-	-55 to +125	300	50	100	Class V	16 Ld SBDIP, 16 Ld CFP
HS-26C32RH								300	-	100	Class V, Class Q	
HS-26C32RH-T								100	-	100	Class T	
HS-26C31EH	Line Driver	4.5 to 5.5	-	-	0.3 VDD	0.7 VDD	-55 to +125	300	50	100	Class V	16 Ld SBDIP, 16 Ld CFP
HS-26C31RH								300	-	100	Class V, Class Q	
HS-26C31RH-T								100	-	100	Class T	

RF

Screening	Production Flow
RT Plastic	Renesas Radiation Tolerant Plastic

RF Switches

Part Number	Supply Voltage (V)	Input Frequency (MHz)	Insertion Loss (dB)	Switching Speed (ns)	IIP2 (dBm)	IIP3 (dBm)	IP1dB (dBm)	Temperature (°C)	TID HDR (krad(Si))	TID LDR (krad(Si))	DSEE (MeV·cm ² /mg)	Screening	Package
ISL71934M	2.7 to 5.5	50 to 6000	0.79	255	111	64	36	-55 to +125	-	30, 50	43	RT Plastic	16 Ld TQFN

APPENDIX

Standard Data Packet

Qualification Level	Rad Hard Hermetic			Rad Hard Plastic	Rad Tolerant Plastic
	Class Q Packaged Part	Class V, Class Ve Packaged Part	Class V, Class Ve Die	Class P, Class Pe, PEMS Packaged Part	RT Plastic Packaged Part
Shipper/Pack Slip	✓	✓	✓	✓	✓
P.O. Number	✓	✓	✓	✓	✓
Customer Part Number, Rev As applicable on the P.O.	✓	✓	✓	✓	✓
Renesas (Intersil) Part Number	✓	✓	✓	✓	✓
Lot Date Code/Trace Code	✓	✓	✓	✓	✓
Lot Number	✓	✓	✓	✓	✓
Quantity	✓	✓	✓	✓	✓
Certificate of Conformance	✓	✓	✓	✓	✓
Screening Attributes Data		✓	✓	✓	
Post seal through end of 100% screening operations		✓		✓	
Test Operations		✓		✓	
Quantity of units in/out by operation		✓		✓	
Date of each test		✓		✓	
PDA as applicable		✓		✓	
Visual Inspection		✓	✓	✓	
Document Review		✓	✓	✓	
Screening Variables & Delta Data Variables data for all read/record and/or delta operations pre/post burn-in at 25°C provided on electronic media		✓		✓	
Group A Attributes Located in Screening Attributes Data if performed		✓		✓	
Group B Attributes Summary		✓		✓	
Group C Attributes Summary		✓		✓	
Group C Variables & Delta Data Variables data for all read/record and/or delta operations pre/post life test provided on electronic media		✓*		✓	
Group D Attributes Summary		✓		✓	
Group E Variables Data for LDR and/or HDR, as applicable Variables data for all read/record operations pre/post rad provided on electronic media		✓*	✓*	✓	✓
SEM C of C & Photos (if performed)		✓	✓	✓	
Radiation C of C Low Dose Rate (LDR) and/or High Dose Rate (HDR)		LDR &/or HDR	LDR &/or HDR	LDR	LDR
X-Ray Report Film kept on file and available on request. Request must be documented on P.O.		✓		✓	✓
Acoustic Microscopy Report				✓	

* Not included for parts with only HDR TID RLAT

Notice

- Descriptions of circuits, software and other related information in this document are provided only to illustrate the operation of semiconductor products and application examples. You are fully responsible for the incorporation or any other use of the circuits, software, and information in the design of your product or system. Renesas Electronics disclaims any and all liability for any losses and damages incurred by you or third parties arising from the use of these circuits, software, or information.
 - Renesas Electronics hereby expressly disclaims any warranties against and liability for infringement or any other claims involving patents, copyrights, or other intellectual property rights of third parties, by or arising from the use of Renesas Electronics products or technical information described in this document, including but not limited to, the product data, drawings, charts, programs, algorithms, and application examples.
 - No license, express, implied or otherwise, is granted hereby under any patents, copyrights or other intellectual property rights of Renesas Electronics or others.
 - You shall not alter, modify, copy, or reverse engineer any Renesas Electronics product, whether in whole or in part. Renesas Electronics disclaims any and all liability for any losses or damages incurred by you or third parties arising from such alteration, modification, copying or reverse engineering.
 - Renesas Electronics products are classified according to the following two quality grades: "Standard" and "High Quality". The intended applications for each Renesas Electronics product depends on the product's quality grade, as indicated below.
 "Standard": Computers; office equipment; communications equipment; test and measurement equipment; audio and visual equipment; home electronic appliances; machine tools; personal electronic equipment; industrial robots; etc.
 "High Quality": Transportation equipment (automobiles, trains, ships, etc.); traffic control (traffic lights); large-scale communication equipment; key financial terminal systems; safety control equipment; etc.
 Unless expressly designated as a high reliability product or a product for harsh environments in a Renesas Electronics data sheet or other Renesas Electronics document, Renesas Electronics products are not intended or authorized for use in products or systems that may pose a direct threat to human life or bodily injury (artificial life support devices or systems; surgical implantations; etc.), or may cause serious property damage (space system; undersea repeaters; nuclear power control systems; aircraft control systems; key plant systems; military equipment; etc.). Renesas Electronics disclaims any and all liability for any damages or losses incurred by you or any third parties arising from the use of any Renesas Electronics product that is inconsistent with any Renesas Electronics data sheet, user's manual or other Renesas Electronics document.
 - When using Renesas Electronics products, refer to the latest product information (data sheets, user's manuals, application notes, "General Notes for Handling and Using Semiconductor Devices" in the reliability handbook, etc.), and ensure that usage conditions are within the ranges specified by Renesas Electronics with respect to maximum ratings, operating power supply voltage range, heat dissipation characteristics, installation, etc. Renesas Electronics disclaims any and all liability for any malfunctions, failure or accident arising out of the use of Renesas Electronics products outside of such specified ranges.
 - Although Renesas Electronics endeavors to improve the quality and reliability of Renesas Electronics products, semiconductor products have specific characteristics, such as the occurrence of failure at a certain rate and malfunctions under certain use conditions. Unless designated as a high reliability product or a product for harsh environments in a Renesas Electronics data sheet or other Renesas Electronics document, Renesas Electronics products are not subject to radiation resistance design. You are responsible for implementing safety measures to guard against the possibility of bodily injury, injury or damage caused by fire, and/or danger to the public in the event of a failure or malfunction of Renesas Electronics products, such as safety design for hardware and software, including but not limited to redundancy, fire control and malfunction prevention, appropriate treatment for aging degradation or any other appropriate measures. Because the evaluation of microcomputer software alone is very difficult and impractical, you are responsible for evaluating the safety of the final products or systems manufactured by you.
 - Please contact a Renesas Electronics sales office for details as to environmental matters such as the environmental compatibility of each Renesas Electronics product. You are responsible for carefully and sufficiently investigating applicable laws and regulations that regulate the inclusion or use of controlled substances, including without limitation, the EU RoHS Directive, and using Renesas Electronics products in compliance with all these applicable laws and regulations. Renesas Electronics disclaims any and all liability for damages or losses occurring as a result of your noncompliance with applicable laws and regulations.
 - Renesas Electronics products and technologies shall not be used for or incorporated into any products or systems whose manufacture, use, or sale is prohibited under any applicable domestic or foreign laws or regulations. You shall comply with any applicable export control laws and regulations promulgated and administered by the governments of any countries asserting jurisdiction over the parties or transactions.
 - It is the responsibility of the buyer or distributor of Renesas Electronics products, or any other party who distributes, disposes of, or otherwise sells or transfers the product to a third party, to notify such third party in advance of the contents and conditions set forth in this document.
 - This document shall not be reprinted, reproduced or duplicated in any form, in whole or in part, without prior written consent of Renesas Electronics.
 - Please contact a Renesas Electronics sales office if you have any questions regarding the information contained in this document or Renesas Electronics products.
- (Note 1) "Renesas Electronics" as used in this document means Renesas Electronics Corporation and also includes its directly or indirectly controlled subsidiaries.
 (Note 2) "Renesas Electronics product(s)" means any product developed or manufactured by or for Renesas Electronics.

(Rev.4.0-1 November 2017)

SALES OFFICES

Refer to "<http://www.renesas.com/>" for the latest and detailed information.

Renesas Electronics America Inc.

1001 Murphy Ranch Road, Milpitas, CA 95035, U.S.A.
 Tel: +1-408-432-8888, Fax: +1-408-434-5351

Renesas Electronics Canada Limited

9251 Yonge Street, Suite 8309 Richmond Hill, Ontario Canada L4C 9T3
 Tel: +1-905-237-2004

Renesas Electronics Europe Limited

Dukes Meadow, Millboard Road, Bourne End, Buckinghamshire, SL8 5FH, U.K.
 Tel: +44-1628-651-700, Fax: +44-1628-651-804

Renesas Electronics Europe GmbH

Arcadiastrasse 10, 40472 Düsseldorf, Germany
 Tel: +49-211-6503-0, Fax: +49-211-6503-1327

Renesas Electronics (China) Co., Ltd.

Room 1709 Quantum Plaza, No.27 ZhichunLu, Haidian District, Beijing, 100191 P. R. China
 Tel: +86-10-8235-1155, Fax: +86-10-8235-7679

Renesas Electronics (Shanghai) Co., Ltd.

Unit 301, Tower A, Central Towers, 555 Langao Road, Putuo District, Shanghai, 200333 P. R. China
 Tel: +86-21-2226-0888, Fax: +86-21-2226-0999

Renesas Electronics Hong Kong Limited

Unit 1601-1611, 16/F., Tower 2, Grand Century Place, 193 Prince Edward Road West, Mongkok, Kowloon, Hong Kong
 Tel: +852-2265-6688, Fax: +852-2886-9022

Renesas Electronics Taiwan Co., Ltd.

13F, No. 363, Fu Shing North Road, Taipei 10543, Taiwan
 Tel: +886-2-8175-9600, Fax: +886-2-8175-9670

Renesas Electronics Singapore Pte. Ltd.

80 Bendemeer Road, Unit #06-02 Hyflux Innovation Centre, Singapore 339949
 Tel: +65-6213-0200, Fax: +65-6213-0300

Renesas Electronics Malaysia Sdn.Bhd.

Unit 1207, Block B, Menara Amcorp, Amcorp Trade Centre, No. 18, Jln Persiaran Barat, 46050 Petaling Jaya, Selangor Darul Ehsan, Malaysia
 Tel: +60-3-7955-9390, Fax: +60-3-7955-9510

Renesas Electronics India Pvt. Ltd.

No.777C, 100 Feet Road, HAL 2nd Stage, Indiranagar, Bangalore 560 038, India
 Tel: +91-80-67208700, Fax: +91-80-67208777

Renesas Electronics Korea Co., Ltd.

17F, KAMCO Yangjae Tower, 262, Gangnam-daero, Gangnam-gu, Seoul, 06265 Korea
 Tel: +82-2-558-3737, Fax: +82-2-558-5338