

## RL78/G1F

### A/D Converter (Software Trigger and Sequential Conversion Modes) CC-RL

---

#### Introduction

This application note describes the procedures for performing A/D conversion on analog voltages using the RL78/G1F's A/D converter (supporting software trigger and sequential conversion modes).

The sample program discussed in this application note performs data conversion on the A/D conversion results and places the converted values in the RL78/G1F's internal RAM.

#### Target Device

RL78/G1F

When applying the sample program covered in this application note to another microcomputer, modify the program according to the specifications for the target microcomputer and conduct an extensive evaluation of the modified program.

## Contents

1. Specification .....	3
2. Operation Check Conditions .....	4
3. Related Application Note .....	4
4. Description of the Hardware .....	5
4.1 Hardware Configuration Example .....	5
4.2 List of Pins to be Used .....	5
5. Description of the Software .....	6
5.1 Operation Outline .....	6
5.2 List of Option Byte Settings .....	7
5.3 List of Variables .....	7
5.4 List of Functions .....	8
5.5 Function Specifications .....	8
5.6 Flowcharts .....	9
5.6.1 Initialization Function .....	9
5.6.2 System Function .....	10
5.6.3 I/O Port Setup .....	11
5.6.4 CPU Clock Setup .....	13
5.6.5 Setting up the A/D Converter .....	14
5.6.6 Main Processing .....	22
5.6.7 Main initializes settings .....	23
5.6.8 Enabling the A/D Voltage Comparator .....	24
5.6.9 Starting A/D Conversion .....	25
5.6.10 Storing A/D Conversion Results in RAM .....	26
6. Sample Code .....	27
7. Documents for Reference .....	27

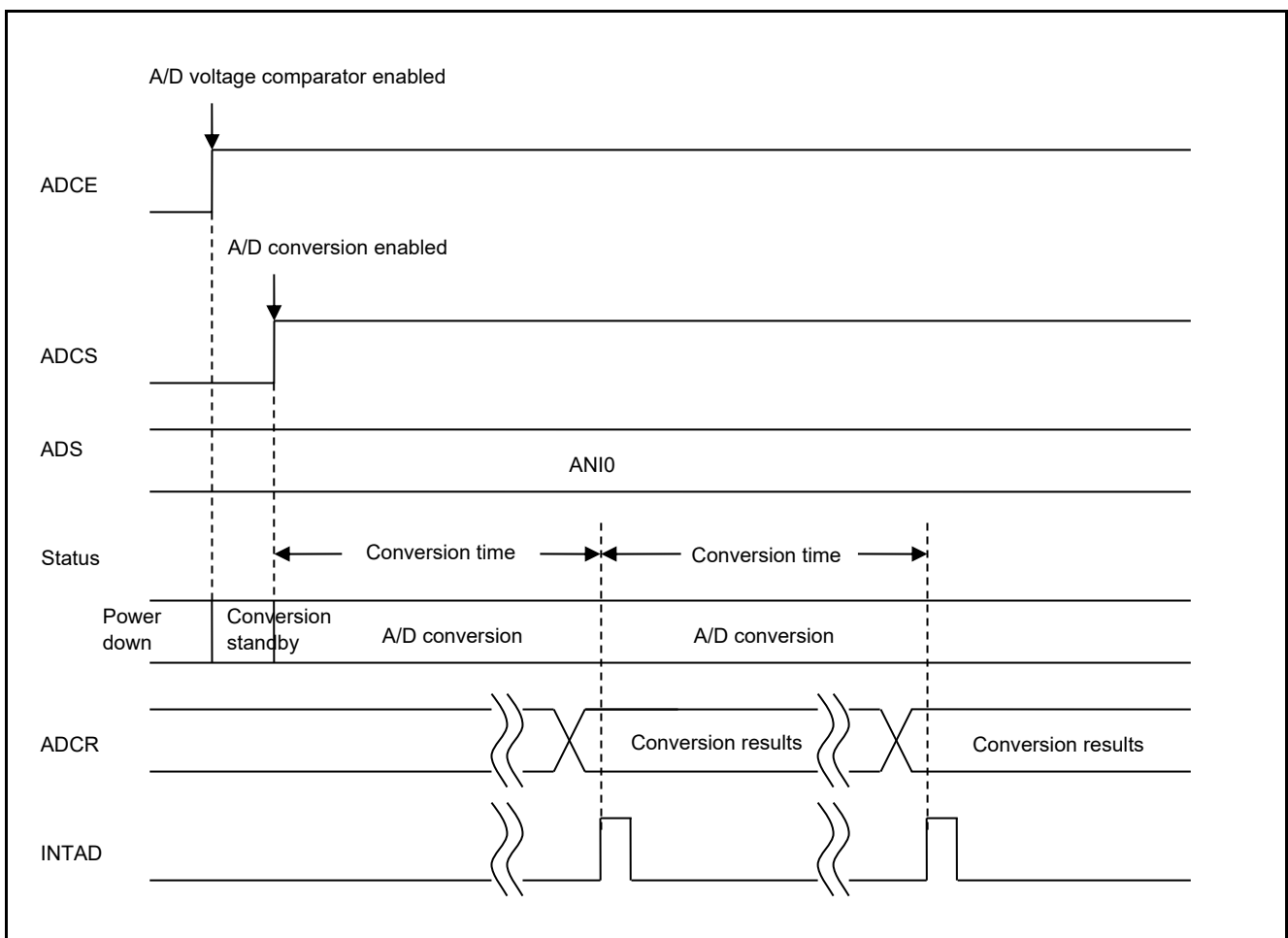
### 1. Specification

This application note provides examples of using the software trigger and sequential conversion modes of the A/D converter. The A/D converter is placed in select mode and the analog signal input from the P20/ANI0 pin is converted to digital values. Subsequently, the conversion result is subjected to data conversion (shifting the data to the right) and the result is stored in the RL78/G1F's internal RAM.

Table 1.1 lists the Peripheral Function to be Used and its Use and Figure 1.1 shows the outline of the conversion operation of the A/D converter.

**Table 1.1 Peripheral Function to be Used and its Use**

Peripheral Function	Use
A/D converter	Converts the level of the analog signal input from the P20/ANI0 pin.



**Figure 1.1 Outline of the A/D Converter Conversion Processing**

## 2. Operation Check Conditions

The sample code contained in this application note has been checked under the conditions listed in the table below.

**Table 2.1    Operation Check Conditions**

<b>Item</b>	<b>Description</b>
Microcontroller used	RL78/G1F (R5F11BLE)
Operating frequency	<ul style="list-style-type: none"><li>• High-speed on-chip oscillator (HOCO) clock: 32 MHz</li><li>• CPU/peripheral hardware clock: 32 MHz</li></ul>
Operating voltage	5.0 V (can run on a voltage range of 2.9 V to 5.5 V.) LVD operation ( $V_{LVD}$ ): Reset mode 2.81 V (2.76 V to 2.87 V)
Integrated development environment (CS+)	CS+ for CC V4.01.00 from Renesas Electronics Corp.
C compiler (CS+)	CC-RL V1.03.00 from Renesas Electronics Corp.
Integrated development environment (e <sup>2</sup> studio)	e <sup>2</sup> studio V5.2.0.020 from Renesas Electronics Corp.
C compiler (e <sup>2</sup> studio)	CC-RL V1.03.00 from Renesas Electronics Corp.

## 3. Related Application Note

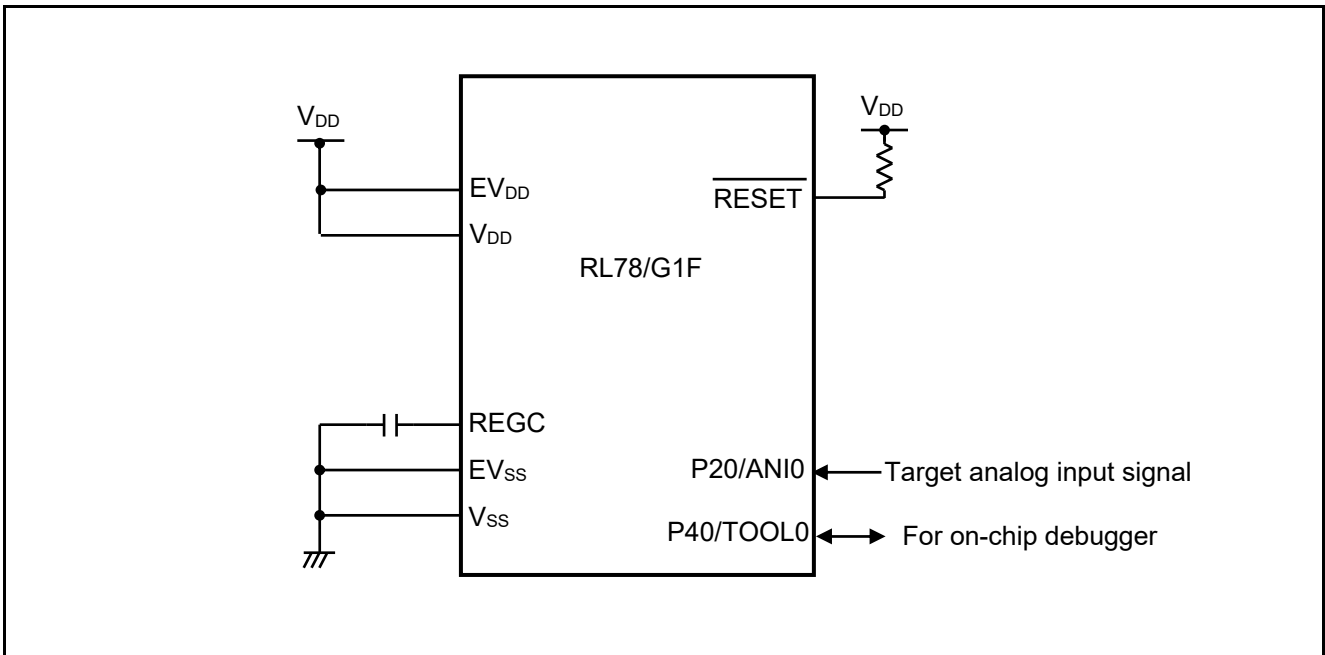
The application note that is related to this application note is listed below for reference.

- RL78/G13 Initialization (R01AN2575E) Application Note

## 4. Description of the Hardware

### 4.1 Hardware Configuration Example

Figure 4.1 shows an example of hardware configuration that is used for this application note.



**Figure 4.1 Hardware Configuration**

- Notes:
1. The purpose of this circuit is only to provide the connection outline and the circuit is simplified accordingly. When designing and implementing an actual circuit, provide proper pin treatment and make sure that the hardware's electrical specifications are met (connect the input-dedicated ports separately to  $V_{DD}$  or  $V_{SS}$  via a resistor).
  2. Connect any pins whose name begins with  $EV_{SS}$  to  $V_{SS}$  and any pins whose name begins with  $EV_{DD}$  to  $V_{DD}$ , respectively.
  3.  $V_{DD}$  must be held at not lower than the reset release voltage ( $V_{LVD}$ ) that is specified as LVD.

### 4.2 List of Pins to be Used

Table 4.1 lists the pins to be used and their function.

**Table 4.1 Pin to be Used and its Function**

Pin Name	I/O	Description
P20/ANI0	Input	A/D converter analog input port

## **5. Description of the Software**

### **5.1 Operation Outline**

This sample code performs A/D conversion on the analog voltage that is input to pin ANI0 using the software trigger and sequential conversion modes of the A/D converter. It awaits the end of A/D conversion in HALT mode. After A/D conversion is completed, the sample code shifts the result of A/D conversion 6 bits to the right and places the result in the internal RAM of the RL78/G1F.

(1) Initialize the A/D converter.

<Setup conditions>

- Pin P20/ANI0 is used for the analog input.
- A/D conversion channel selection mode is set to select mode.
- A/D conversion operation mode is set to sequential conversion mode.
- A/D conversion is started using the software trigger.
- The A/D conversion end interrupt (INTAD) is used.

(2) The sample program sets the ADCS bit of the ADM0 register to 1 (A/D conversion start) to start A/D conversion and executes the HALT instruction to place the chip in the HALT mode and wait for an A/D conversion end interrupt.

(3) After completing the A/D conversion of the voltage input from pin ANI0, the A/D converter transfers the result of A/D conversion to the ADCR register and generates an A/D conversion end interrupt.

(4) On release from the HALT mode in response to the A/D conversion end interrupt, the sample program reads the result of A/D conversion from the ADCR register, shifts the result 6 bits to the right, and stores the shifted data in the internal RAM of the RL78/G1F.

(5) The chip returns to the HALT mode and waits for an A/D conversion end interrupt.

## 5.2 List of Option Byte Settings

Table 5.1 summarizes the settings of the option bytes.

**Table 5.1 Option Byte Settings**

Address	Value	Description
000C0H/010C0H	01101110B	Disables the watchdog timer. (Stops counting after the release of the reset state.)
000C1H/010C1H	01111111B	LVD reset mode, 2.81 V (2.76 V to 2.87 V)
000C2H/010C2H	11101000B	HS mode HOCO: 32 MHz
000C3H/010C3H	10000100B	Enables the on-chip debugger.

## 5.3 List of Variables

Table 5.2 lists the global variable that is used by this sample program.

**Table 5.2 Global Variable**

Type	Variable Name	Contents	Function Used
unsigned short	g_result_buffer	Area for storing the A/D conversion results	main ()

## 5.4 List of Functions

Table 5.3 lists the functions that are used by this sample program.

**Table 5.3 Functions**

Function Name	Outline
R_ADC_Set_OperationOn	Enables the A/D voltage comparator.
R_ADC_Start	Starts A/D conversion.
R_ADC_Get_Result	Gets A/D conversion results.

## 5.5 Function Specifications

This section describes the specifications for the functions that are used in the sample code.

---

[Function Name] R\_ADC\_Set\_OperationOn

---

<b>Synopsis</b>	Enable A/D voltage comparator.
<b>Header</b>	r_cg_adc.h
<b>Declaration</b>	void R_ADC_Set_OperationOn (void)
<b>Explanation</b>	Enables the A/D voltage comparator for operation.
<b>Arguments</b>	None
<b>Return value</b>	None
<b>Remarks</b>	None

---

[Function Name] R\_ADC\_Start

---

<b>Synopsis</b>	Start A/D conversion.
<b>Header</b>	r_cg_adc.h
<b>Declaration</b>	void R_ADC_Start (void)
<b>Explanation</b>	Enables A/D conversion end interrupts and starts A/D conversion processing.
<b>Arguments</b>	None
<b>Return value</b>	None
<b>Remarks</b>	None

---

[Function Name] R\_ADC\_Get\_Result

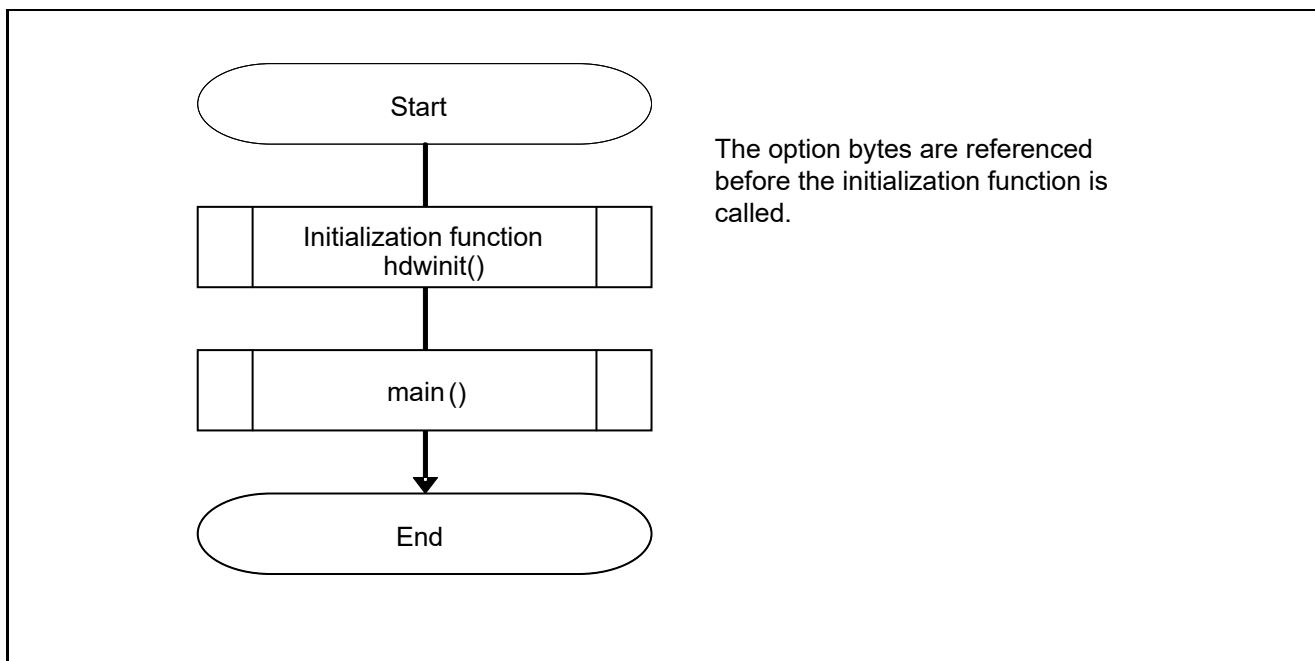
---

<b>Synopsis</b>	Get A/D conversion results.
<b>Header</b>	r_cg_adc.h
<b>Declaration</b>	void R_ADC_Get_Result (uint16_t *const buffer)
<b>Explanation</b>	Shifts the A/D conversion results 6 bits to the right and stores the results in the area designated by the argument.
<b>Arguments</b>	Address of the area for storing the A/D conversion results
<b>Return value</b>	None
<b>Remarks</b>	None



## 5.6 Flowcharts

Figure 5.1 shows the overall flow of the sample program described in this application note.

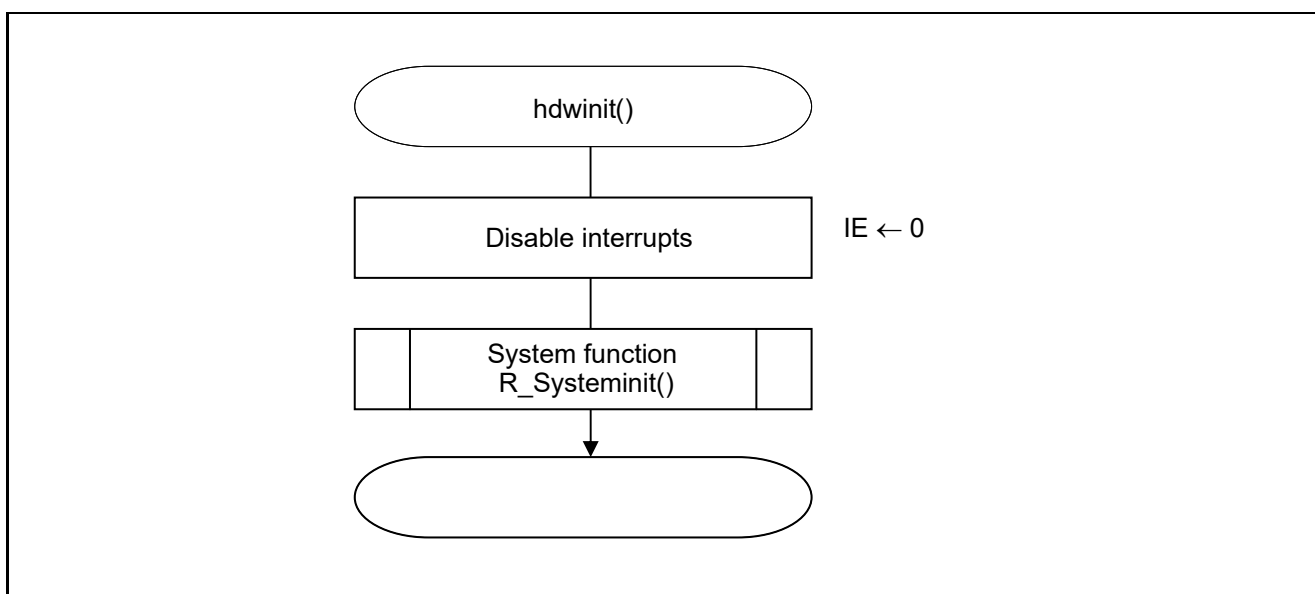


**Figure 5.1 Overall Flow**

Note: Startup routine is executed before and after the initialization function.

### 5.6.1 Initialization Function

Figure 5.2 shows the flowchart for the initialization function.



**Figure 5.2 Initialization Function**

5.6.2 System Function

Figure 5.3 shows the flowchart for the system function.

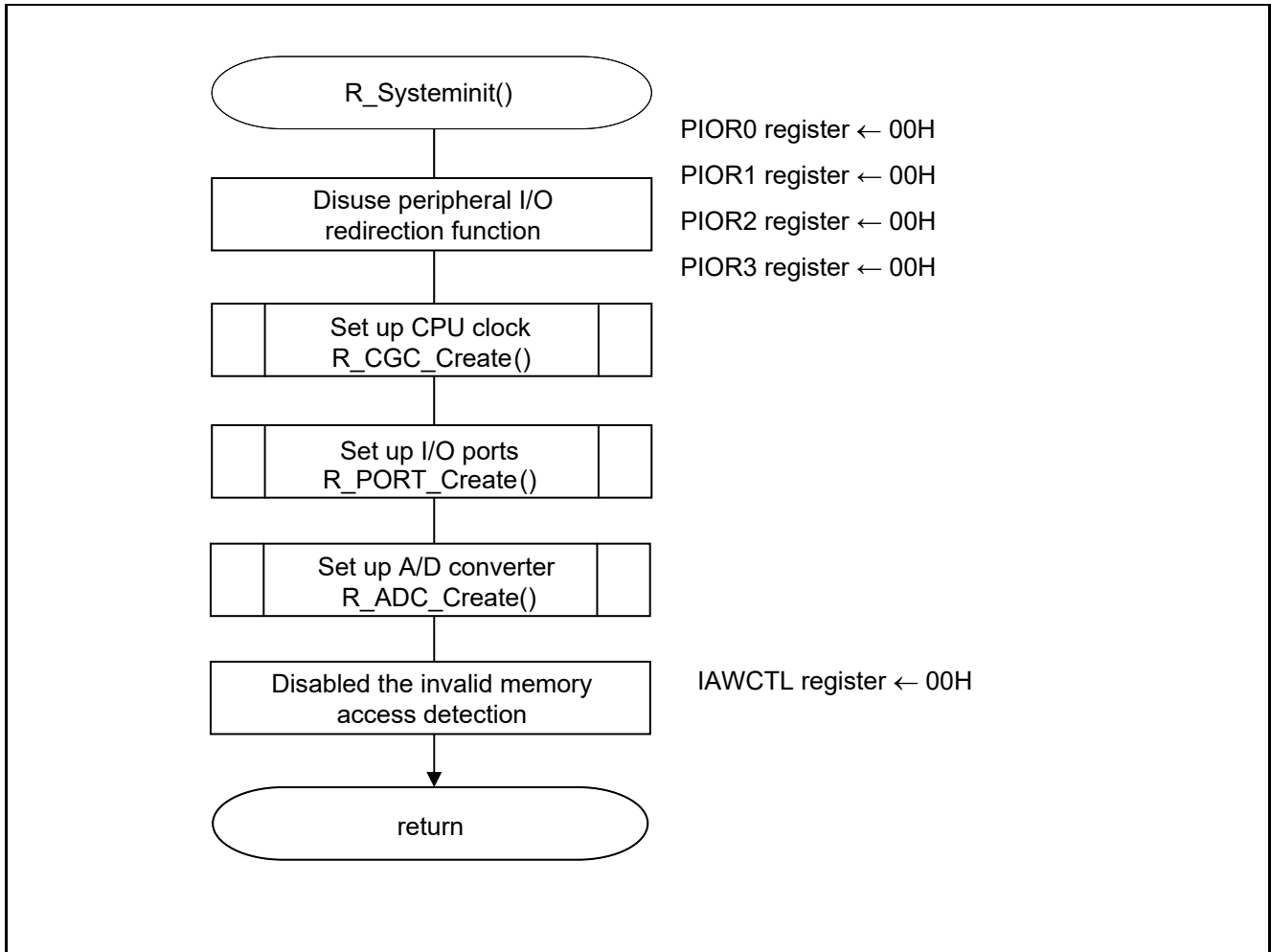
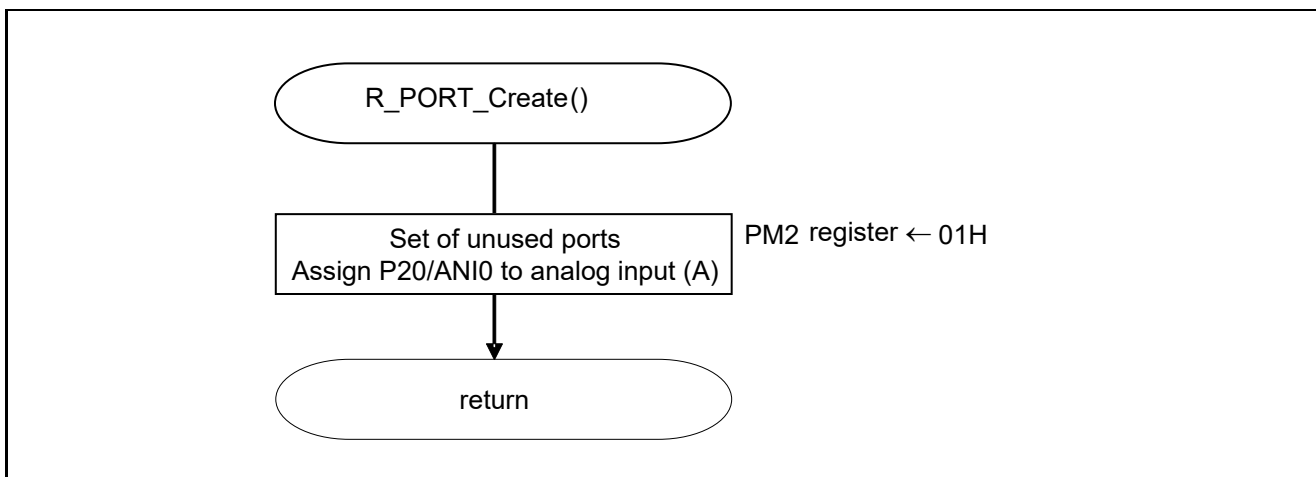


Figure 5.3 System Function

**5.6.3 I/O Port Setup**

Figure 5.4 shows the flowchart for I/O port setup.



**Figure 5.4 I/O Port Setup**

Note: Refer to RL78/G1F User’s Manual: Hardware for the configuration of the unused ports.

Note: Provide proper treatment for unused pins so that their electrical specifications are observed. Connect each of any unused input-only ports to  $V_{DD}$  or  $V_{SS}$  via separate resistors.

Setting up the channel to be used for A/D conversion

- Port mode register 2 (PM2)  
Selects the I/O mode of each port.

Symbol: PM2

7	6	5	4	3	2	1	0
PM27	PM26	PM25	PM24	PM23	PM22	PM21	PM20
x	x	x	x	x	x	x	<b>1</b>

Bit 0

PM20	PM20 I/O Mode Select
0	Output mode (output buffer on)
<b>1</b>	<b>Input mode (output buffer off)</b>

Note: For details on the procedure for setting up the registers, refer to RL78/G1F User's Manual: Hardware.

5.6.4 CPU Clock Setup

Figure 5.5 shows the flowchart for setting up the CPU clock.

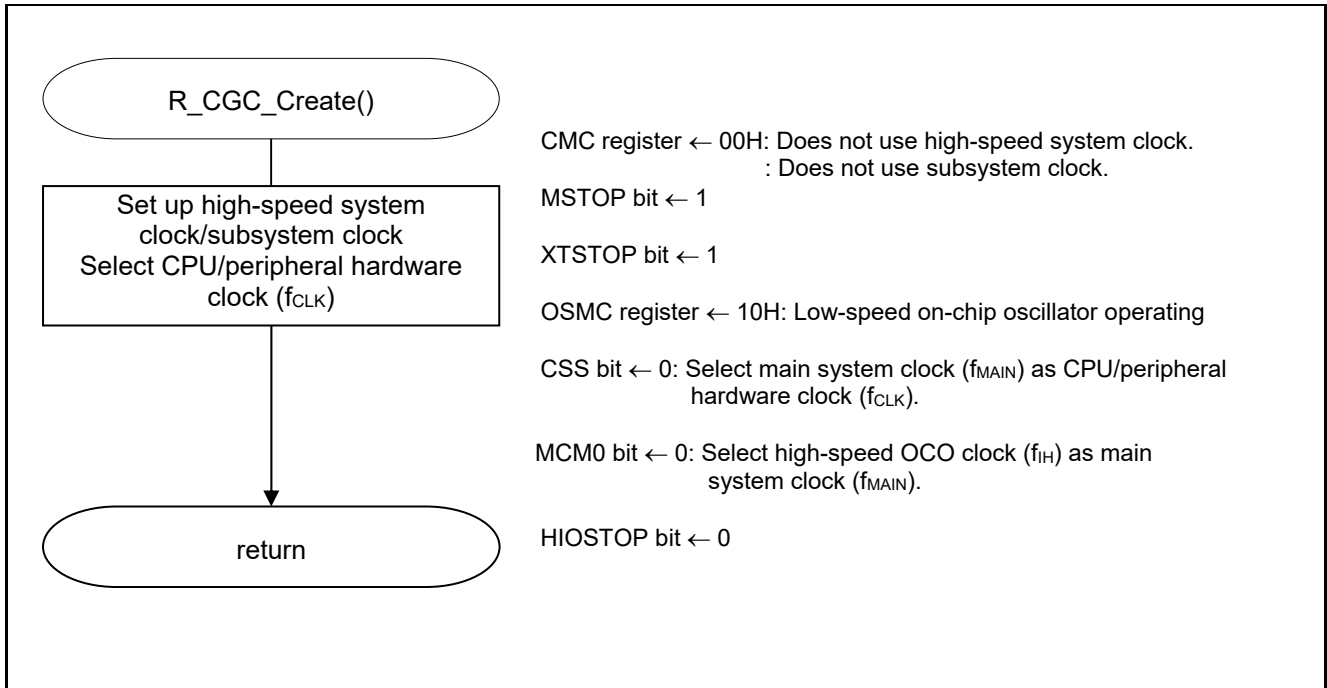


Figure 5.5 CPU Clock Setup

Note: For details on the procedure for setting up the CPU clock (R\_CGC\_Create ()), refer to RL78/G1F User’s Manual: Hardware.

5.6.5 Setting up the A/D Converter

Figure 5.6 shows the flowchart for setting up the A/D converter.

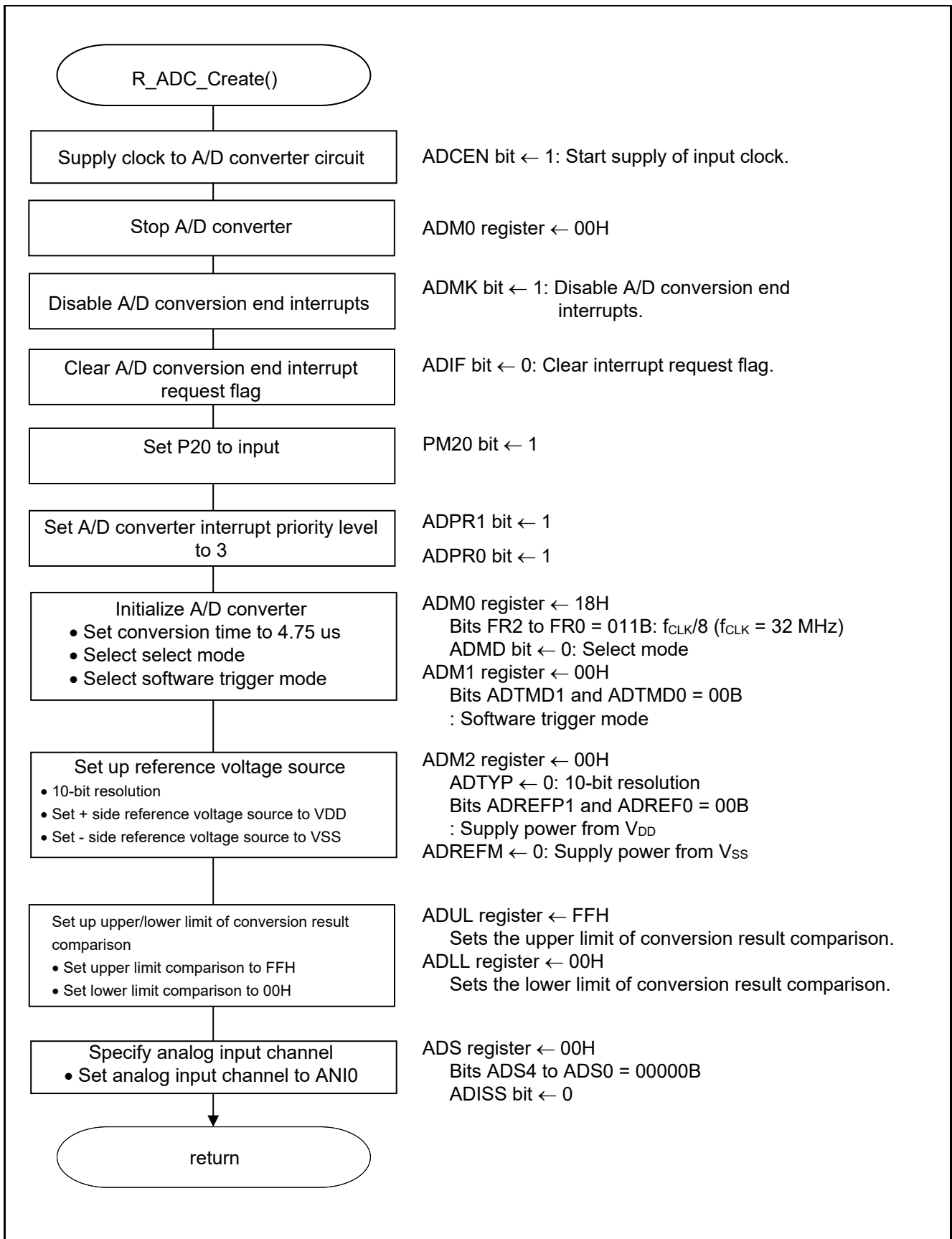


Figure 5.6 A/D Converter Setup Flowchart

Starting the supply of clock to the A/D converter

- Peripheral enable register 0 (PER0)  
Starts the supply of the clock to the A/D converter.

Symbol: PER0

7	6	5	4	3	2	1	0
RTCEN	IICA1EN	ADCEN	IICA0EN	SAU1EN	SAU0EN	0	TAU0EN
x	x	<b>1</b>	x	x	x	0	x

Bit 5

ADCEN	A/D converter input clock control
0	Stops supply of input clock.
<b>1</b>	<b>Starts supply of input clock.</b>

Note: For details on the register setup procedures, refer to RL78/G1F User's Manual: Hardware.

Setting up the A/D conversion time and operation mode

- A/D converter mode register 0 (ADM0)  
Controls the A/D conversion operation.  
Specifies the A/D conversion channel selection mode.

Symbol: ADM0

7	6	5	4	3	2	1	0
ADCS	ADM0	FR2	FR1	FR0	LV1	LV0	ADCE
x	0	0	1	1	0	0	x

Bit 6

ADM0	A/D channel selection mode select
0	Select mode
1	Scan mode

Bits 5 to 1

ADM0					Mode	Conversion Clock (f <sub>AD</sub> )	Number of Conversion Clock	Conversion Time	Conversion Time Selection							
FR2	FR1	FR0	LV1	LV0					f <sub>CLK</sub> = 1 MHz	f <sub>CLK</sub> = 4 MHz	f <sub>CLK</sub> = 8 MHz	f <sub>CLK</sub> = 16 MHz	f <sub>CLK</sub> = 32 MHz			
0	0	0	0	0	Normal 1	f <sub>CLK</sub> /64	19 f <sub>AD</sub> (number of sampling clock : 7 f <sub>AD</sub> )	1216/f <sub>CLK</sub>	Setting prohibited	Setting prohibited	Setting prohibited	76 μs	38 μs			
0	0	1				f <sub>CLK</sub> /32		608/f <sub>CLK</sub>				76 μs	38 μs	19 μs		
0	1	0				f <sub>CLK</sub> /16		304/f <sub>CLK</sub>				76 μs	38 μs	19 μs	9.5 μs	
<b>0</b>	<b>1</b>	<b>1</b>				<b>f<sub>CLK</sub>/8</b>		<b>152/f<sub>CLK</sub></b>				38 μs	19 μs	9.5 μs	<b>4.75 μs</b>	
1	0	0				f <sub>CLK</sub> /6		114/f <sub>CLK</sub>				28.5 μs	14.25 μs	7.125 μs	3.5625 μs	
1	0	1				f <sub>CLK</sub> /5		95/f <sub>CLK</sub>				95 μs	23.75 μs	11.875 μs	5.938 μs	2.9688 μs
1	1	0				f <sub>CLK</sub> /4		76/f <sub>CLK</sub>				76 μs	19 μs	9.5 μs	4.75 μs	2.375 μs
1	1	1				f <sub>CLK</sub> /2		38/f <sub>CLK</sub>				38 μs	9.5 μs	4.75 μs	2.375 μs	Setting prohibited
0	0	0			0	1	Normal 2	f <sub>CLK</sub> /64	17 f <sub>AD</sub> (number of sampling clock : 5 f <sub>AD</sub> )	1088/f <sub>CLK</sub>	Setting prohibited	Setting prohibited	Setting prohibited	68 μs	34 μs	
0	0	1			f <sub>CLK</sub> /32	544/f <sub>CLK</sub>		68 μs		34 μs				17 μs		
0	1	0			f <sub>CLK</sub> /16	272/f <sub>CLK</sub>		68 μs		34 μs				17 μs	8.5 μs	
0	1	1			f <sub>CLK</sub> /8	136/f <sub>CLK</sub>		34 μs		17 μs				8.5 μs	4.25 μs	
1	0	0			f <sub>CLK</sub> /6	102/f <sub>CLK</sub>		25.5 μs		12.75 μs				6.375 μs	3.1875 μs	
1	0	1			f <sub>CLK</sub> /5	85/f <sub>CLK</sub>		85 μs		21.25 μs				10.625 μs	5.3125 μs	2.6536 μs
1	1	0			f <sub>CLK</sub> /4	68/f <sub>CLK</sub>		68 μs		17 μs				8.5 μs	4.25 μs	2.125 μs
1	1	1			f <sub>CLK</sub> /2	34/f <sub>CLK</sub>		34 μs		8.5 μs				4.25 μs	2.125 μs	Setting prohibited

Note: For details on the register setup procedures, refer to RL78/G1F User's Manual: Hardware.



Setting up the A/D conversion trigger mode

- A/D converter mode register 1 (ADM1)  
 Selects the A/D conversion trigger mode.  
 Selects the A/D conversion mode.

Symbol: ADM1

7	6	5	4	3	2	1	0
ADTMD1	ADTMD0	ADSCM	0	0	0	ADTRS1	ADTRS0
<b>0</b>	<b>0</b>	<b>0</b>	0	0	0	<b>0</b>	<b>0</b>

Bits 7 and 6

ADTMD1	ADTMD0	Selection of the A/D conversion trigger mode
<b>0</b>	—	<b>Software trigger mode</b>
1	0	Hardware trigger no-wait mode
1	1	Hardware trigger wait mode

Bit 5

ADSCM	Specification of the A/D conversion mode
<b>0</b>	<b>Sequential conversion mode</b>
1	One-shot conversion mode

Bits 1 and 0

ADTRS1	ADTRS0	Selection of the hardware trigger signal
<b>0</b>	<b>0</b>	<b>End of timer channel 01 count or capture interrupt signal (INTTM01)</b>
0	1	Setting prohibited
1	0	Real-time clock interrupt signal (INTRTC)
1	1	12-bit interval timer interrupt signal (INTIT)

Note: For details on the register setup procedures, refer to RL78/G1F User's Manual: Hardware.

Setting up the reference voltage

- A/D converter mode register 2 (ADM2)  
Sets up the reference voltage source.

Symbol: ADM2

7	6	5	4	3	2	1	0
ADREFP1	ADREFP0	ADREFM	0	ADCRK	AWC	0	ADTYP
<b>0</b>	<b>0</b>	<b>0</b>	0	<b>0</b>	<b>0</b>	0	<b>0</b>

Bits 7 and 6

ADREFP1	ADREFP0	Selection of the + side reference voltage source of the A/D converter
<b>0</b>	<b>0</b>	<b>Supplied from V<sub>DD</sub>.</b>
0	1	Supplied from P20/AV <sub>REFP</sub> /ANI0.
1	0	Supplied from internal reference voltage (1.45 V).
1	1	Setting prohibited

Bit 5

ADREFM	Selection of the – side reference voltage source of the A/D converter
<b>0</b>	<b>Supplied from V<sub>SS</sub>.</b>
1	Supplied from P21/AV <sub>REFM</sub> /ANI1.

Bit 3

ADCRK	Checking the upper limit and lower limit conversion result values
<b>0</b>	<b>The interrupt signal (INTAD) is output when the ADLL register ≤ the ADCR register ≤ the ADUL register.</b>
1	Interrupt signal (INTAD) is output when ADCR register < ADLL register and ADUL register < ADCR register.

Bit 2

AWC	Specification of the wakeup function (SNOOZE mode)
<b>0</b>	<b>Do not use the SNOOZE mode function.</b>
1	Use the SNOOZE mode function.

Bit 0

ADTYP	Selection of the A/D conversion resolution
<b>0</b>	<b>10-bit resolution</b>
1	8-bit resolution

Note: For details on the register setup procedures, refer to RL78/G1F User's Manual: Hardware.

Setting up the conversion result comparison upper limit/lower limit

- Conversion result comparison upper limit setting register (ADUL)
- Conversion result comparison lower limit setting register (ADLL)  
Sets up the conversion result comparison upper- and lower-limit values.

Symbol: ADUL

7	6	5	4	3	2	1	0
ADUL7	ADUL6	ADUL5	ADUL4	ADUL3	ADUL2	ADUL1	ADUL0
<b>1</b>	<b>1</b>	<b>1</b>	<b>1</b>	<b>1</b>	<b>1</b>	<b>1</b>	<b>1</b>

Symbol: ADLL

7	6	5	4	3	2	1	0
ADLL7	ADLL6	ADLL5	ADLL4	ADLL3	ADLL2	ADLL1	ADLL0
<b>0</b>	<b>0</b>	<b>0</b>	<b>0</b>	<b>0</b>	<b>0</b>	<b>0</b>	<b>0</b>

Specifying the input channel

- Analog input channel specification register (ADS)
  - Specifies the input channel for the analog voltage to be subjected to A/D conversion.

Symbol: ADS

	7	6	5	4	3	2	1	0
ADISS	0	0	0	ADS4	ADS3	ADS2	ADS1	ADS0
	0	0	0	0	0	0	0	0

Bits 7, 4 to 0

ADIS S	ADS4	ADS3	ADS2	ADS1	ADS0	Analog Input Channel
0	0	0	0	0	0	P20/ANI0 pin/ $AV_{REFP}$ pin
0	0	0	0	0	1	ANI1
0	0	0	0	1	0	ANI2
0	0	0	0	1	1	ANI3
0	0	0	1	0	0	ANI4
0	0	0	1	0	1	ANI5
0	0	0	1	1	0	ANI6
0	0	0	1	1	1	ANI7
0	1	0	0	0	0	ANI16
0	1	0	0	0	1	ANI17
0	1	0	0	1	0	ANI18
0	1	0	0	1	1	ANI19
0	1	0	1	0	0	ANI20
0	1	0	1	0	1	ANI21
0	1	0	1	1	0	ANI22
0	1	0	1	1	1	ANI23
0	1	1	0	0	0	ANI24
0	1	1	0	0	1	PGAOUT (PGA output)
1	0	0	0	0	0	Temperature sensor output voltage
1	0	0	0	0	1	Internal reference voltage output (1.45 V)
Other than above						Setting prohibited

Note: For details on the register setup procedures, refer to RL78/G1F User's Manual: Hardware.

Setting up end of A/D conversion interrupts

- Interrupt request flag register (IF1H)  
Clears the interrupt request flag.
- Interrupt mask flag register (MK1H)  
Disables interrupts.

Symbol: IF1H

7	6	5	4	3	2	1	0
0	TRJIF0	0	0	KRIF	ITIIF	RTCIF	ADIF
0	x	0	0	x	x	x	<b>0</b>

Bit 0

ADIF	Interrupt request flag
<b>0</b>	<b>No interrupt request signal is generated.</b>
1	Interrupt request is generated, interrupt request status

Symbol: MK1H

7	6	5	4	3	2	1	0
1	TRJMK0	1	1	KRMK	ITIMK	RTCMK	ADMK
1	x	1	1	x	x	x	<b>1</b>

Bit 0

ADMK	Interrupt processing control
0	Enables interrupt processing.
<b>1</b>	<b>Disables interrupt processing.</b>

Note: For details on the register setup procedures, refer to RL78/G1F User's Manual: Hardware.

5.6.6 Main Processing

Figure 5.7 shows the flowchart for the main processing routine.

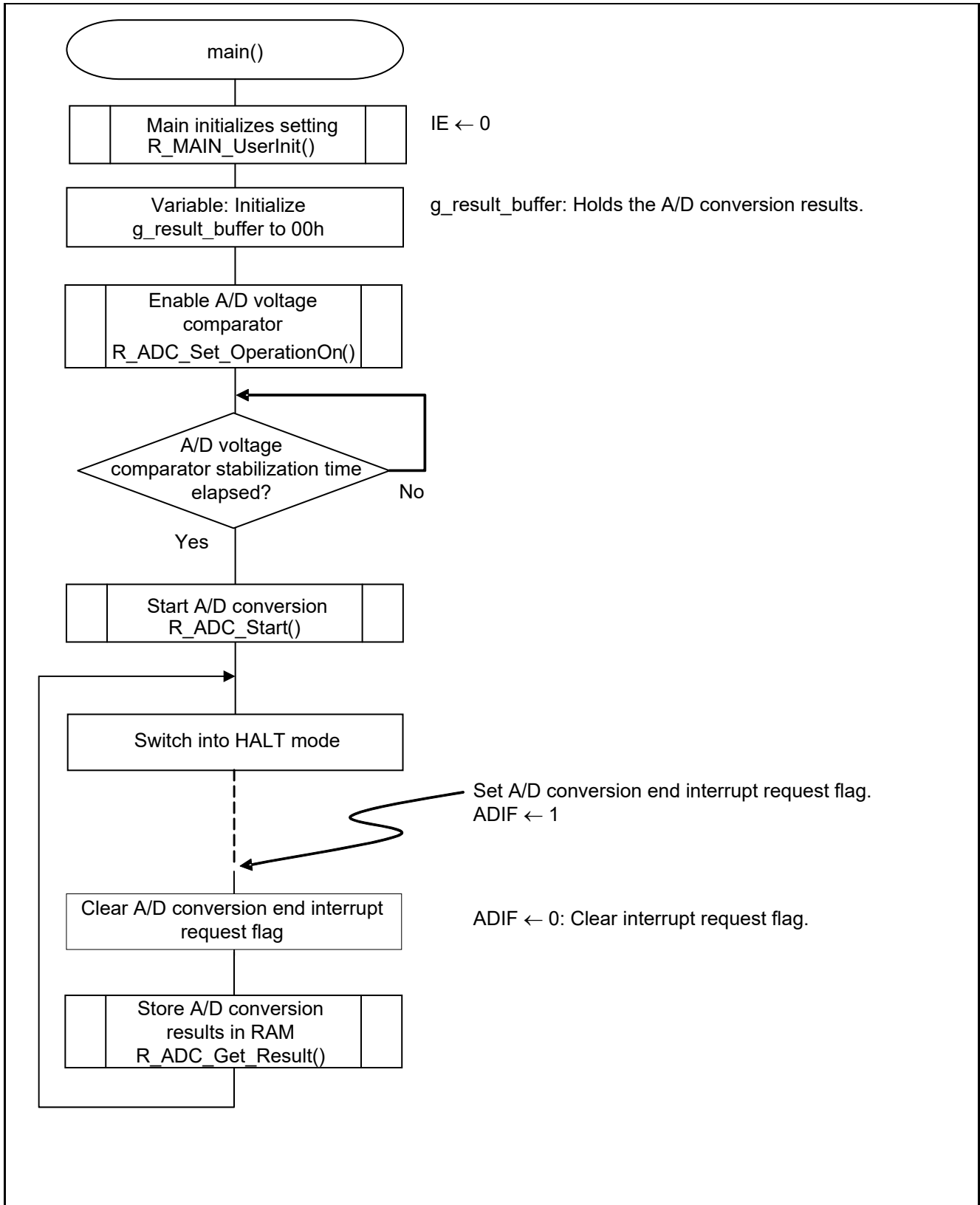


Figure 5.7 Main Processing

### 5.6.7 Main initializes settings

Figure 5.8 shows the flowchart for the main initializes settings.

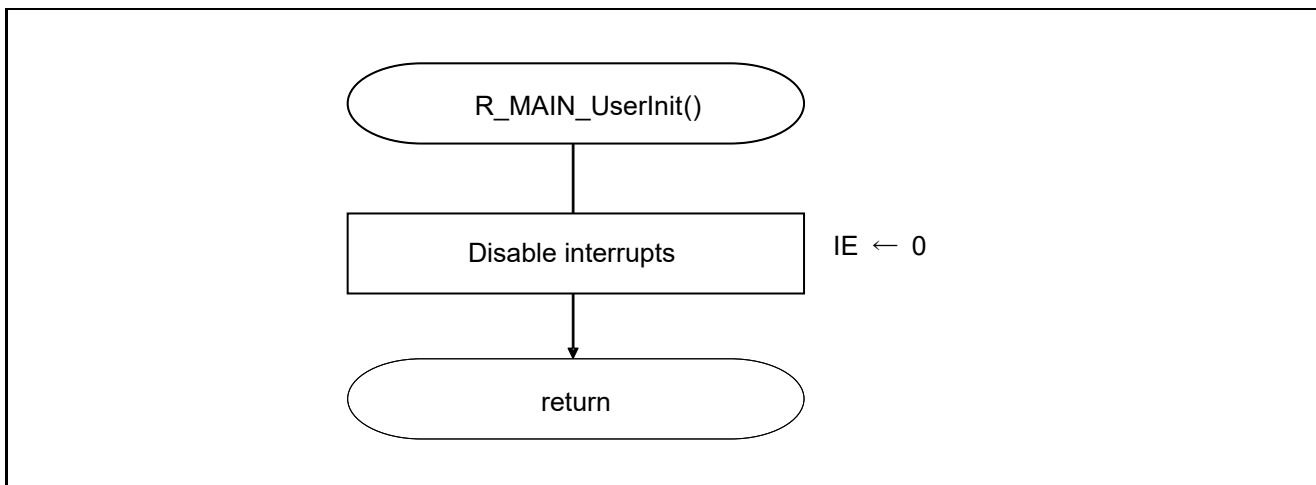


Figure 5.8 Main initializes settings

5.6.8 Enabling the A/D Voltage Comparator

Figure 5.9 shows the flowchart for enabling the A/D voltage comparator.

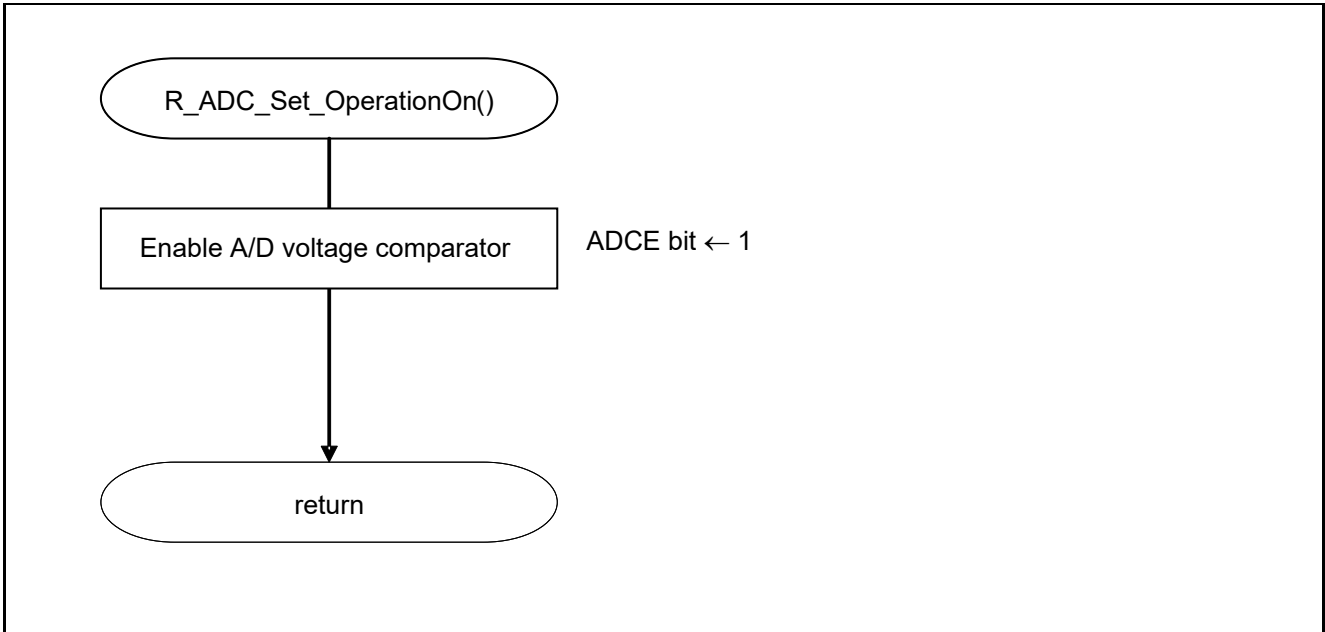


Figure 5.9 Enabling the A/D Voltage Comparator

Starting the A/D voltage comparator

- A/D converter mode register 0 (ADM0)  
Controls the operation of the A/D voltage comparator.

Symbol: ADM0

7	6	5	4	3	2	1	0
ADCS	ADMD	FR2	FR1	FR0	LV1	LV0	ADCE
x	x	x	x	x	x	x	<b>1</b>

Bit 0

ADCE	A/D voltage comparator operation control
0	Stops A/D voltage comparator operation.
<b>1</b>	<b>Enables A/D voltage comparator operation.</b>

Note: For details on the register setup procedures, refer to RL78/G1F User's Manual: Hardware.



5.6.9 Starting A/D Conversion

Figure 5.10 shows the flowchart for starting A/D conversion processing.

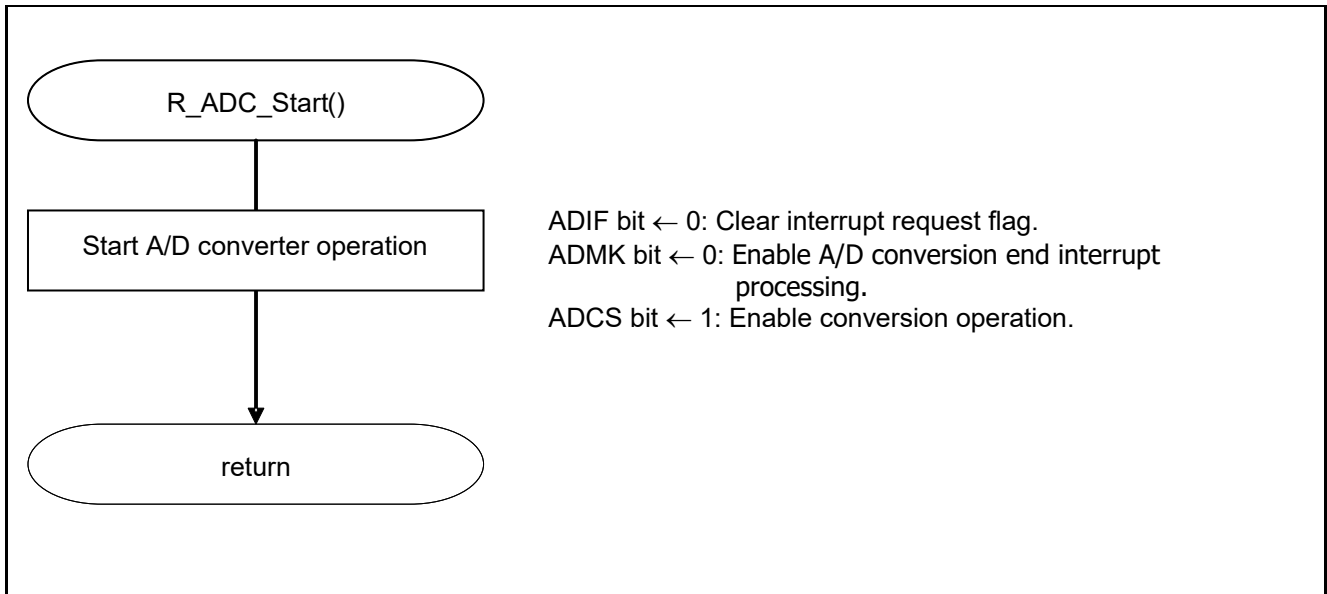


Figure 5.10 Starting A/D Conversion

Starting conversion operation

- A/D converter mode register 0 (ADM0)  
 Controls the A/D conversion operation.

Symbol: ADM0

7	6	5	4	3	2	1	0
ADCS	ADMD	FR2	FR1	FR0	LV1	LV2	ADCE
1	x	x	x	x	x	x	1

Bit 7

ADCS	A/D conversion operation control
0	Stops conversion operation.
1	<b>Enables conversion operation.</b>

Note: For details on the register setup procedures, refer to RL78/G1F User's Manual: Hardware.

### 5.6.10 Storing A/D Conversion Results in RAM

Figure 5.11 shows the flowchart for storing the A/D conversion results in RAM.

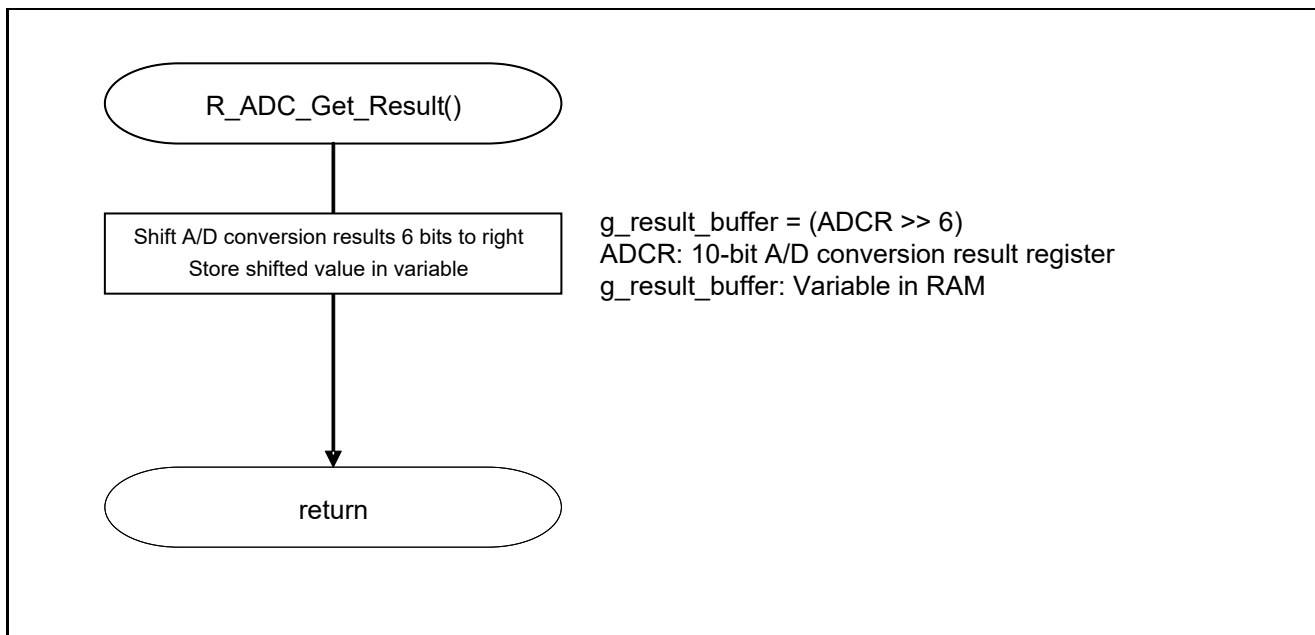


Figure 5.11 Storing the A/D Conversion Results in RAM

## **6. Sample Code**

The sample code is available on the Renesas Electronics Website.

## **7. Documents for Reference**

User's Manual:

RL78/G1F User's Manual: Hardware (R01UH0516E)

RL78 Family User's Manual: Software (R01US0015E)

The latest version can be downloaded from the Renesas Electronics website.

Technical Updates/Technical News

The latest information can be downloaded from the Renesas Electronics website.

## **Website and Support**

Renesas Electronics Website

<http://www.renesas.com/index.jsp>

Inquiries

<http://www.renesas.com/contact/>

<b>REVISION HISTORY</b>	<b>RL78/G1F A/D Converter</b> (Software Trigger and Sequential Conversion Modes) CC-RL
-------------------------	---

Rev.	Date	Description	
		Page	Summary
1.00	June 14, 2017	—	First edition issued

All trademarks and registered trademarks are the property of their respective owners.

## General Precautions in the Handling of Microprocessing Unit and Microcontroller Unit Products

The following usage notes are applicable to all Microprocessing unit and Microcontroller unit products from Renesas. For detailed usage notes on the products covered by this document, refer to the relevant sections of the document as well as any technical updates that have been issued for the products.

### 1. Handling of Unused Pins

Handle unused pins in accordance with the directions given under Handling of Unused Pins in the manual.

¾ The input pins of CMOS products are generally in the high-impedance state. In operation with an unused pin in the open-circuit state, extra electromagnetic noise is induced in the vicinity of LSI, an associated shoot-through current flows internally, and malfunctions occur due to the false recognition of the pin state as an input signal become possible. Unused pins should be handled as described under Handling of Unused Pins in the manual.

### 2. Processing at Power-on

The state of the product is undefined at the moment when power is supplied.

¾ The states of internal circuits in the LSI are indeterminate and the states of register settings and pins are undefined at the moment when power is supplied.

In a finished product where the reset signal is applied to the external reset pin, the states of pins are not guaranteed from the moment when power is supplied until the reset process is completed. In a similar way, the states of pins in a product that is reset by an on-chip power-on reset function are not guaranteed from the moment when power is supplied until the power reaches the level at which resetting has been specified.

### 3. Prohibition of Access to Reserved Addresses

Access to reserved addresses is prohibited.

¾ The reserved addresses are provided for the possible future expansion of functions. Do not access these addresses; the correct operation of LSI is not guaranteed if they are accessed.

### 4. Clock Signals

After applying a reset, only release the reset line after the operating clock signal has become stable. When switching the clock signal during program execution, wait until the target clock signal has stabilized.

¾ When the clock signal is generated with an external resonator (or from an external oscillator) during a reset, ensure that the reset line is only released after full stabilization of the clock signal. Moreover, when switching to a clock signal produced with an external resonator (or by an external oscillator) while program execution is in progress, wait until the target clock signal is stable.

### 5. Differences between Products

Before changing from one product to another, i.e. to a product with a different part number, confirm that the change will not lead to problems.

¾ The characteristics of Microprocessing unit or Microcontroller unit products in the same group but having a different part number may differ in terms of the internal memory capacity, layout pattern, and other factors, which can affect the ranges of electrical characteristics, such as characteristic values, operating margins, immunity to noise, and amount of radiated noise. When changing to a product with a different part number, implement a system-evaluation test for the given product.

## Notice

1. Descriptions of circuits, software and other related information in this document are provided only to illustrate the operation of semiconductor products and application examples. You are fully responsible for the incorporation or any other use of the circuits, software, and information in the design of your product or system. Renesas Electronics disclaims any and all liability for any losses and damages incurred by you or third parties arising from the use of these circuits, software, or information.
2. Renesas Electronics hereby expressly disclaims any warranties against and liability for infringement or any other disputes involving patents, copyrights, or other intellectual property rights of third parties, by or arising from the use of Renesas Electronics products or technical information described in this document, including but not limited to, the product data, drawing, chart, program, algorithm, application examples.
3. No license, express, implied or otherwise, is granted hereby under any patents, copyrights or other intellectual property rights of Renesas Electronics or others.
4. You shall not alter, modify, copy, or otherwise misappropriate any Renesas Electronics product, whether in whole or in part. Renesas Electronics disclaims any and all liability for any losses or damages incurred by you or third parties arising from such alteration, modification, copy or otherwise misappropriation of Renesas Electronics products.
5. Renesas Electronics products are classified according to the following two quality grades: "Standard" and "High Quality". The intended applications for each Renesas Electronics product depends on the product's quality grade, as indicated below.  
"Standard": Computers; office equipment; communications equipment; test and measurement equipment; audio and visual equipment; home electronic appliances; machine tools; personal electronic equipment; and industrial robots etc.  
"High Quality": Transportation equipment (automobiles, trains, ships, etc.); traffic control (traffic lights); large-scale communication equipment; key financial terminal systems; safety control equipment; etc.  
Renesas Electronics products are neither intended nor authorized for use in products or systems that may pose a direct threat to human life or bodily injury (artificial life support devices or systems, surgical implantations etc.), or may cause serious property damages (space and undersea repeaters; nuclear power control systems; aircraft control systems; key plant systems; military equipment; etc.). Renesas Electronics disclaims any and all liability for any damages or losses incurred by you or third parties arising from the use of any Renesas Electronics product for which the product is not intended by Renesas Electronics.
6. When using the Renesas Electronics products, refer to the latest product information (data sheets, user's manuals, application notes, "General Notes for Handling and Using Semiconductor Devices" in the reliability handbook, etc.), and ensure that usage conditions are within the ranges specified by Renesas Electronics with respect to maximum ratings, operating power supply voltage range, heat radiation characteristics, installation, etc. Renesas Electronics disclaims any and all liability for any malfunctions or failure or accident arising out of the use of Renesas Electronics products beyond such specified ranges.
7. Although Renesas Electronics endeavors to improve the quality and reliability of Renesas Electronics products, semiconductor products have specific characteristics such as the occurrence of failure at a certain rate and malfunctions under certain use conditions. Further, Renesas Electronics products are not subject to radiation resistance design. Please ensure to implement safety measures to guard them against the possibility of bodily injury, injury or damage caused by fire, and social damage in the event of failure or malfunction of Renesas Electronics products, such as safety design for hardware and software including but not limited to redundancy, fire control and malfunction prevention, appropriate treatment for aging degradation or any other appropriate measures by your own responsibility as warranty for your products/system. Because the evaluation of microcomputer software alone is very difficult and not practical, please evaluate the safety of the final products or systems manufactured by you.
8. Please contact a Renesas Electronics sales office for details as to environmental matters such as the environmental compatibility of each Renesas Electronics product. Please investigate applicable laws and regulations that regulate the inclusion or use of controlled substances, including without limitation, the EU RoHS Directive carefully and sufficiently and use Renesas Electronics products in compliance with all these applicable laws and regulations. Renesas Electronics disclaims any and all liability for damages or losses occurring as a result of your noncompliance with applicable laws and regulations.
9. Renesas Electronics products and technologies shall not be used for or incorporated into any products or systems whose manufacture, use, or sale is prohibited under any applicable domestic or foreign laws or regulations. You shall not use Renesas Electronics products or technologies for (1) any purpose relating to the development, design, manufacture, use, stockpiling, etc., of weapons of mass destruction, such as nuclear weapons, chemical weapons, or biological weapons, or missiles (including unmanned aerial vehicles (UAVs)) for delivering such weapons, (2) any purpose relating to the development, design, manufacture, or use of conventional weapons, or (3) any other purpose of disturbing international peace and security, and you shall not sell, export, lease, transfer, or release Renesas Electronics products or technologies to any third party whether directly or indirectly with knowledge or reason to know that the third party or any other party will engage in the activities described above. When exporting, selling, transferring, etc., Renesas Electronics products or technologies, you shall comply with any applicable export control laws and regulations promulgated and administered by the governments of the countries asserting jurisdiction over the parties or transactions.
10. Please acknowledge and agree that you shall bear all the losses and damages which are incurred from the misuse or violation of the terms and conditions described in this document, including this notice, and hold Renesas Electronics harmless, if such misuse or violation results from your resale or making Renesas Electronics products available any third party.
11. This document shall not be reprinted, reproduced or duplicated in any form, in whole or in part, without prior written consent of Renesas Electronics.
12. Please contact a Renesas Electronics sales office if you have any questions regarding the information contained in this document or Renesas Electronics products.  
(Note 1) "Renesas Electronics" as used in this document means Renesas Electronics Corporation and also includes its majority-owned subsidiaries.  
(Note 2) "Renesas Electronics product(s)" means any product developed or manufactured by or for Renesas Electronics.

(Rev.3.0-1 November 2016)



### SALES OFFICES

Renesas Electronics Corporation

<http://www.renesas.com>

Refer to "<http://www.renesas.com/>" for the latest and detailed information.

#### Renesas Electronics America Inc.

2801 Scott Boulevard Santa Clara, CA 95050-2549, U.S.A.  
Tel: +1-408-588-6000, Fax: +1-408-588-6130

#### Renesas Electronics Canada Limited

9251 Yonge Street, Suite 8309 Richmond Hill, Ontario Canada L4C 9T3  
Tel: +1-905-237-2004

#### Renesas Electronics Europe Limited

Dukes Meadow, Millboard Road, Bourne End, Buckinghamshire, SL8 5FH, U.K.  
Tel: +44-1628-585-100, Fax: +44-1628-585-900

#### Renesas Electronics Europe GmbH

Arcadiastrasse 10, 40472 Düsseldorf, Germany  
Tel: +49-211-6503-0, Fax: +49-211-6503-1327

#### Renesas Electronics (China) Co., Ltd.

Room 1709, Quantum Plaza, No.27 ZhiChunLu Haidian District, Beijing 100191, P.R.China  
Tel: +86-10-8235-1155, Fax: +86-10-8235-7679

#### Renesas Electronics (Shanghai) Co., Ltd.

Unit 301, Tower A, Central Towers, 555 Langao Road, Putuo District, Shanghai, P. R. China 200333  
Tel: +86-21-2226-0888, Fax: +86-21-2226-0999

#### Renesas Electronics Hong Kong Limited

Unit 1601-1611, 16/F., Tower 2, Grand Century Place, 193 Prince Edward Road West, Mongkok, Kowloon, Hong Kong  
Tel: +852-2265-6688, Fax: +852-2886-9022

#### Renesas Electronics Taiwan Co., Ltd.

13F, No. 363, Fu Shing North Road, Taipei 10543, Taiwan  
Tel: +886-2-8175-9600, Fax: +886-2-8175-9670

#### Renesas Electronics Singapore Pte. Ltd.

80 Bendemeer Road, Unit #06-02 Hyflux Innovation Centre, Singapore 339949  
Tel: +65-6213-0200, Fax: +65-6213-0300

#### Renesas Electronics Malaysia Sdn.Bhd.

Unit 1207, Block B, Menara Amcorp, Amcorp Trade Centre, No. 18, Jln Persiaran Barat, 46050 Petaling Jaya, Selangor Darul Ehsan, Malaysia  
Tel: +60-3-7955-9390, Fax: +60-3-7955-9510

#### Renesas Electronics India Pvt. Ltd.

No.777C, 100 Feet Road, HAL II Stage, Indiranagar, Bangalore, India  
Tel: +91-80-67208700, Fax: +91-80-67208777

#### Renesas Electronics Korea Co., Ltd.

12F., 234 Teheran-ro, Gangnam-Gu, Seoul, 135-080, Korea  
Tel: +82-2-558-3737, Fax: +82-2-558-5141