

Introduction

The following text describes the basic test procedures that can be used for most Intersil Op Amps. Note that all measurement conversions have been taken into account in the equations stated.

1. Offset Voltage

The offset voltage (V_{IO}) of the amplifier under test (AUT) is measured via Test Circuit 1 as follows:

1. Set V_+ and V_- supplies to values specified in Table 1, Column (1) and V_{DC} to 0V.
2. Close S_1 and S_2 , open S_3 .
3. Choose: $R_F = 50K$ for non-precision amplifiers.
 $R_F = 5M$ for precision amplifiers.
4. Measure voltage at E in volts (label as E_1).
 $V_{IO} = E_1$ (mV) for $R_F = 50K$, or
 $V_{IO} = E_1 * 10$ (μV) for $R_F = 5M$

The gain of this circuit with $R_F = 50K$ ($R_F = 5M$) requires the output to be driven to 1000 (100,000) times the offset voltage necessary to maintain the output of the AUT at 0V. Note that the AUT output is always identical to V_{DC} . Overall circuit stability is maintained by the adjustable feed-back capacitor C_A .

2. Input Bias Current

The bias current flowing in or out of the positive terminal of the AUT (I_{B+}) is obtained using Test Circuit 1 by:

1. Measuring E_1 as in procedure 1 (use $R_S = 100K$ for JFET input devices).
2. Maintain V_{DC} at 0V.
3. Close S_2 , open S_1 and S_3 .
4. Measuring voltage at E in volts (label as E_2).
 $I_{B+} = (E_1 - E_2) \times 100$ (nA) for $R_F = 50K$, $R_S = 10K$, or
 $I_{B+} = (E_1 - E_2) \times 10$ (nA) for $R_F = 50K$, $R_S = 100K$

The bias current flowing in or out of the negative terminal (I_{B-}) is found by:

1. Following steps 1 and 2 for I_{B+} .
2. Close S_1 , open S_2 and S_3 .
3. Measuring voltage at E in volts (label as E_3).
 $I_{B-} = (E_1 - E_3) \times 100$ (nA) for $R_F = 50K$, $R_S = 10K$, or
 $I_{B-} = (E_1 - E_3) \times 10$ (nA) for $R_F = 50K$, $R_S = 100K$

3. Input Offset Current

Using Test Circuit 1, the input offset current (I_{IO}) of the AUT is determined by:

1. Measuring E_1 as in procedure 1.
2. Maintaining V_{DC} at 0V.
3. Open S_1 , S_2 and S_3 .

4. Measuring voltage at E in volts (label as E_4).
 $I_{IO} = (E_1 - E_4) \times 100$ (nA) for $R_F = 50K$, $R_S = 10K$, or
 $I_{IO} = (E_1 - E_4) \times 10$ (nA) for $R_F = 50K$, $R_S = 100K$

4. Power Supply Rejection Ratio

Both positive and negative PSRRs are measured via Test Circuit 1. For PSRR+:

1. Close S_1 and S_2 , open S_3 .
2. Choose: $R_F = 50K$
3. Set $V_{DC} = 0$, $V_+ = 10V$, and $V_- = -15V$.
4. Measure voltage at E in volts (label as E_5).
5. Change V_+ to +20V.
6. Measure voltage at E in volts (label as E_6).

$$PSRR + = 20 \log_{10} \left| \frac{10^4}{E_5 - E_6} \right| \text{ (dB) for } R_F = 50K$$

Similarly for PSRR-:

1. Follow steps 1 and 2 for PSRR+ above.
2. Set $V_{DC} = 0V$, $V_+ = +15V$, $V_- = -10$.
3. Measure voltage at E in volts (label as E_7).
4. Change V_- to -20V.
5. Measure voltage at E in volts (label as E_8).

$$PSRR - = 20 \log_{10} \left| \frac{10^4}{E_7 - E_8} \right| \text{ (dB) for } R_F = 50K$$

5. Common Mode Rejection Ratio

The CMRR is determined by adjusting Test Circuit 1 as follows:

1. Close S_1 and S_2 , open S_3 .
1. Choose: $R_F = 50K$
2. Set $V_+ = +5V$, $V_- = -25V$, and $V_{DC} = -10V$.
3. Measure voltage at E in volts (label as E_9).
4. Set $V_+ = 25V$, $V_- = -5V$, and $V_{DC} = 10V$.
5. Measure voltage at E in volts (label as E_{10}).

$$CMRR = 20 \log_{10} \left| \frac{2 \times 10^4}{E_9 - E_{10}} \right| \text{ (dB) for } R_F = 50K$$

6. Output Voltage Swing

Test Circuit 2 is adjusted to measure V_{OUT+} and V_{OUT-} the procedure is:

1. Select appropriate V_+ and V_- supply values from Table 1, Column 1.
2. Select specified R_L from Table 1, Column 2.

- Set $V_{IN} = 0.5V$.
- Measure voltage at E in volts. $V_{OUT+} = E$ (V)
Similarly V_{OUT-} is found by:

- Selecting specified R_L from Table 1, Column 1.
- Setting $V_{IN} = -0.5V$.
- Measuring voltage at E in volts.
 $V_{OUT-} = E$ (V)

7. Output Current

The output current corresponding to the output voltage of procedure 6 is found by:

- Measuring V_{OUT-} and V_{OUT+} as in procedure 6.

$$I_{OUT+} = \frac{V_{OUT+}}{R_L} \text{ where } R_L \text{ is from Table 1, Column 2.}$$

$$I_{OUT-} = \frac{V_{OUT-}}{R_L} \text{ where } R_L \text{ is from Table 1, Column 2.}$$

8. Open Loop Gain

Both positive (A_{VOL+}) and negative (A_{VOL-}) open loop gain measurements are determined by adjusting Test Circuit 1.

For A_{VOL+} :

- Close S_1 , S_2 and S_3 .
- Select specified R_L from Table 1, Column 3.
- Set $R_F = 50K$.
- Set $V_{DC} = 0V$, $V+ = +15V$, and $V- = -15V$.
- Measure voltage at E in volts (label as E_{13}).
- Set $V_{DC} = 10V$.
- Measure voltage at E in volts (label as E_{14}).

$$A_{VOL+} = \frac{10}{E_{14} - E_{13}} \text{ (V/mV) for } R_F = 50K$$

For A_{VOL-} :

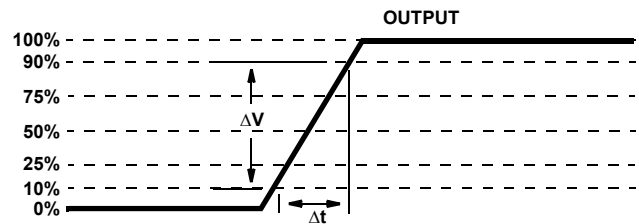
- Follow steps 1, 2, 3, 4, and 5 above.
- Set $V_{DC} = -10V$.
- Measure voltage at E in volts (label as E_{15}).

$$A_{VOL-} = \frac{10}{E_{13} - E_{15}} \text{ (V/mV) for } R_F = 50K$$

9. Slew Rate

Test Circuit 3 is used for measurement of positive and negative slew rate. For $SR+$:

- Select specified R_L , A_{CL} , and C_L from Table 1, Columns 4, 5 and 6.
- Apply a positive step voltage to V_{AC} (refer to data book for test waveform).
- Observe ΔV and Δt at E. A standard approach is to use the 10% and 90% points or else the 25% and 75% points on the waveform.



$$SR = \frac{\Delta V}{\Delta t}$$

For $SR-$ repeat above procedure with negative input pulse.

$$SR- = \frac{\Delta V}{\Delta t}$$

10. Full Power Bandwidth

Full power bandwidth is calculated by:

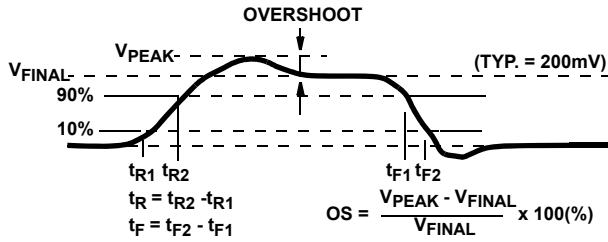
- Measuring slew rate as above in procedure 9.
- Measuring V_{OUT+} as in procedure 6. (Typically V_{OUT+} is assumed to be the guaranteed minimum V_{OUT} , usually 10V.)

$$FPBW = \frac{SR+}{2\pi V_{OUT(PEAK)}}$$

11. Rise Time, Fall Time and Overshoot

The small signal step response of the AUT is determined via Test Circuit 3. The procedure requires:

- Selecting the appropriate R_L , A_{CL} , and C_L from Table 1, Columns 4, 5 and 6.
- Applying a positive input step voltage for rise time t_R and positive overshoot $OS+$.
Applying a negative input step voltage for fall time t_F and negative overshoot $OS-$.
(Refer to data book for input waveforms.)
- Observe output of AUT noting the key points as shown.



12. Settling Time

Test Circuit 6 is appropriate for settling time (t_S) measurement, the procedure is:

1. Select R_1 and R_2 such that A_{UT} is at the A_{CL} stated in Table 1, Column 5.
2. Select R_3 and R_4 so that $R_3 \geq 2R_1$ and $R_4 \geq 2R_2$ with the condition that the ratio

$$\frac{R_3}{R_4} = \frac{R_1}{R_2} \text{ be maintained.}$$

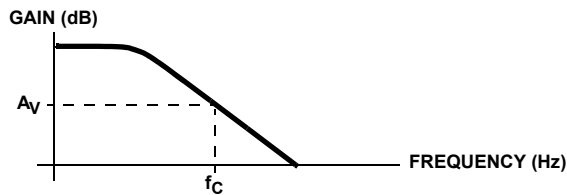
3. Apply step voltage as specified in data book.
4. Measure the time from t_1 (time input step applied) to t_2 (the time E_S settles to within a specified percentage of V_{OUT} - see data book). $t_S = t_2 - t_1$

NOTE: Clipping diodes of Test Circuit 6 prevent overdrive of oscilloscope. (Recommend fast Schottky diodes.)

13. Gain Bandwidth Product

Test Circuit 4 is used for measuring GBP. The procedure is:

1. Sweep V_{IN} thru the required frequency range.
2. With a network analyzer view gain (dB) versus frequency as below.

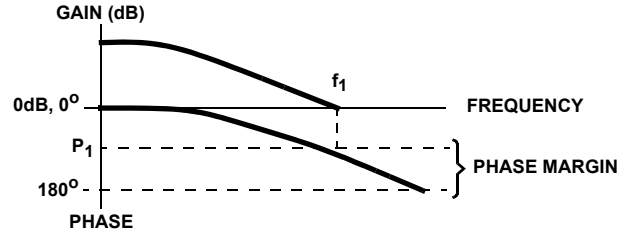


3. At the voltage gain of interest (A_V) determine the corresponding frequency f_C . Note that chosen A_V must be greater than or equal to that stated in column 5 of Table 1. $GBP = A_V \times f_C$ (Hz) where A_V is in V/V.

14. Phase Margin (Network Analyzer Method)

Test Circuit 4 is used to obtain phase margin measurement. The procedure is:

1. Sweep V_{IN} thru the required frequency range.
2. Display gain in dB and phase in degrees versus frequency on analyzer as shown.



3. At a gain of 0dB (if $A_{CL} = 1$ in Table 1, column 5), record frequency f_1 and corresponding phase P_1 .
Phase margin = 180 degrees - P_1 degrees.

15. Input Noise Voltage

Test Circuit 5 is designed for measuring input noise voltage. Use of the Quantec Noise Analyzer is recommended to obtain measurements at 1Hz bandwidth around a specific center frequency. The procedure is:

1. Set $R_G = 0$
2. Set circuit card to gain of 10.
3. Select measurement frequency of interest.
4. Record noise voltage (label as E_{n1}). Units are nV/\sqrt{Hz} .

16. Input Noise Current

Using Test Circuit 5, the input noise current is obtained by:

1. Measure E_{n1} as above for the desired frequency of interest.
2. Adjust R_G so that $V_O > 2E_{n1}$ (label V_O as E_{n2}).

$$I_n = \sqrt{\frac{(E_{n2})^2 - (E_{n1})^2 - 4kTR_G}{R_G^2}}$$

Where $K = 1.38 \times 10^{-23}$ (Boltzmann's Constant)
 $T = 300^\circ\text{C}$ (27°C)

17. Channel Separation (Crosstalk)

Test Circuit 7 is used to measure channel separation (CS). The procedure is as follows:

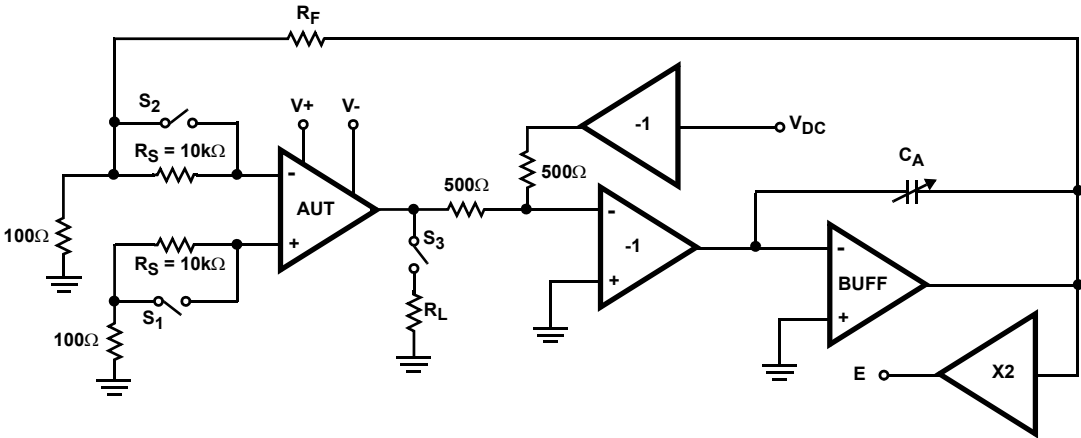
1. Apply V_{IN} at the frequency of interest to input of channel 1.
2. Select R_L from Table 1, column 4.
3. Measure V_{O1} .
4. Measure V_{O2} of channel 2.

$$CS = 20 \log_{10} \left| \frac{V_{O2}}{100V_{O1}} \right| \text{ dB}$$

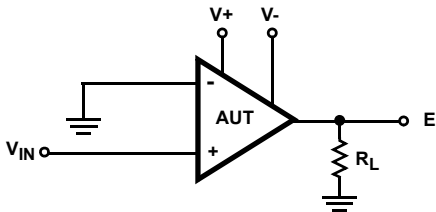
TABLE 1.

PART NUMBER	(1) SUPPLY VOLTAGE (V_S)	PARAMETERS TO MEASURE				
		(2) V_{OUT} $R_L(k\Omega)$	(3) A_{VOL} $R_L(k\Omega)$	SLEW RATE, OS, t_R , t_F		
				(4) $R_L(k\Omega)$	(5) A_{CL}	(6) $C_L(pF)$
HA-2400/04/05	± 15	2	2	2	1	50
HA-2500/02/05	± 15	2	2	2	1	50
HA-2510/12/15	± 15	2	2	2	1	50
HA-2520/02/05	± 15	2	2	2	3	50
HA-2539	± 15	1	1	1	10	10
HA-2540	± 15	1	1	1	10	10
HA-2541	± 15	2	2	2	1	10
HA-2542	± 15	1	1	1	2	10
HA-2600/02/05	± 15	2	2	2	1	100
HA-2620/02/05	± 15	2	2	2	5	50
HA-2640/05	± 40	5	5	5	1	50
HA-4741	± 15	10	2	2	1	50
HA-5101	± 15	2	2	2	1	50
HA-5102/04	± 15	2	2	2	1	50
HA-5111	± 15	2	2	2	10	50
HA-5112/14	± 15	2	2	2	10	50
HA-5127	± 15	0.6	2	2	1	50
HA-5130/05	± 15	0.6	2	2	1	100
HA-5134	± 15	2	2	2	1	50
HA-5137	± 15	0.6	2	2	5	50
HA-5141/12/14	+5/0	50	50	50	1	50
HA-5147	± 15	0.6	2	2	10	50
HA-5151/12/14	± 15	10	10	10	1	50
HA-5160/62	± 15	2	2	2	10	50
HA-5170	± 15	2	2	2	1	50
HA-5180	± 15	2	2	2	1	50
HA-5190/95	± 15	0.2	0.2	2	5	10

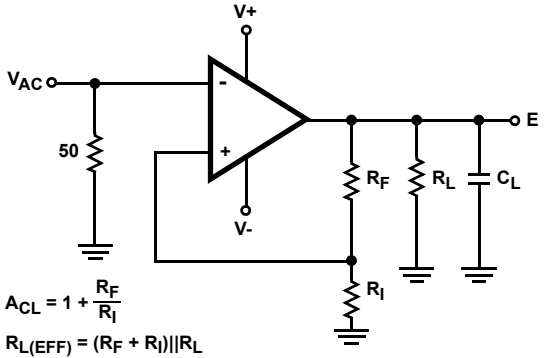
Test Circuits



TEST CIRCUIT 1



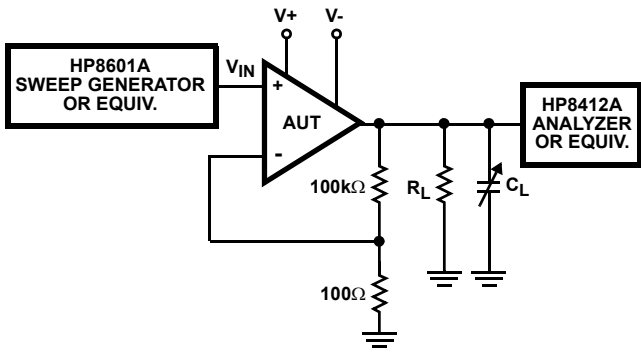
TEST CIRCUIT 2



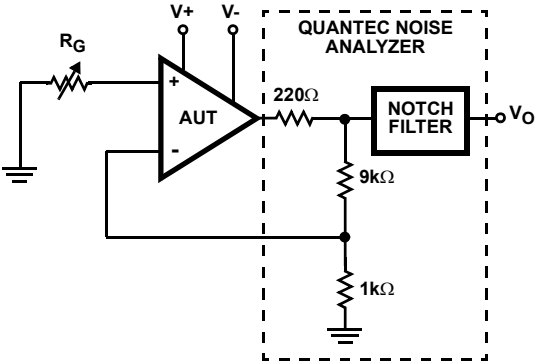
$$A_{CL} = 1 + \frac{R_F}{R_I}$$

$$R_{L(EFF)} = (R_F + R_I) || R_L$$

TEST CIRCUIT 3

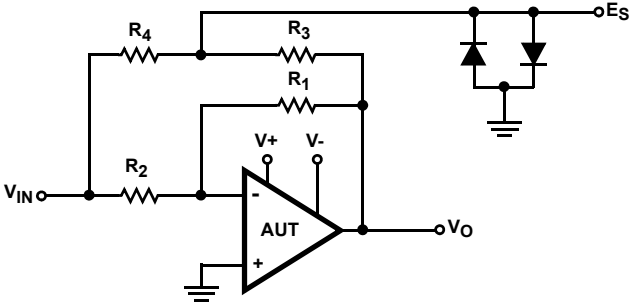


TEST CIRCUIT 4

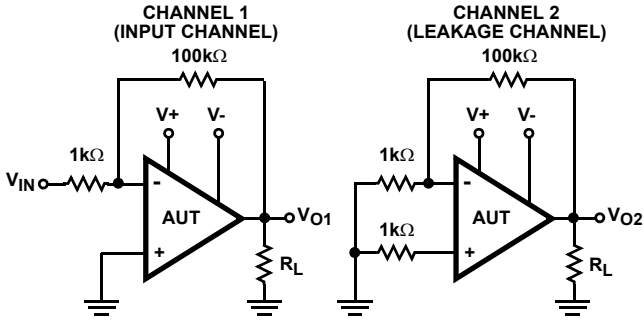


TEST CIRCUIT 5

Test Circuits (Continued)



TEST CIRCUIT 6



TEST CIRCUIT 7

Notice

1. Descriptions of circuits, software and other related information in this document are provided only to illustrate the operation of semiconductor products and application examples. You are fully responsible for the incorporation or any other use of the circuits, software, and information in the design of your product or system. Renesas Electronics disclaims any and all liability for any losses and damages incurred by you or third parties arising from the use of these circuits, software, or information.
2. Renesas Electronics hereby expressly disclaims any warranties against and liability for infringement or any other claims involving patents, copyrights, or other intellectual property rights of third parties, by or arising from the use of Renesas Electronics products or technical information described in this document, including but not limited to, the product data, drawings, charts, programs, algorithms, and application examples.
3. No license, express, implied or otherwise, is granted hereby under any patents, copyrights or other intellectual property rights of Renesas Electronics or others.
4. You shall not alter, modify, copy, or reverse engineer any Renesas Electronics product, whether in whole or in part. Renesas Electronics disclaims any and all liability for any losses or damages incurred by you or third parties arising from such alteration, modification, copying or reverse engineering.
5. Renesas Electronics products are classified according to the following two quality grades: "Standard" and "High Quality". The intended applications for each Renesas Electronics product depends on the product's quality grade, as indicated below.
"Standard": Computers; office equipment; communications equipment; test and measurement equipment; audio and visual equipment; home electronic appliances; machine tools; personal electronic equipment; industrial robots; etc.
"High Quality": Transportation equipment (automobiles, trains, ships, etc.); traffic control (traffic lights); large-scale communication equipment; key financial terminal systems; safety control equipment; etc.
Unless expressly designated as a high reliability product or a product for harsh environments in a Renesas Electronics data sheet or other Renesas Electronics document, Renesas Electronics products are not intended or authorized for use in products or systems that may pose a direct threat to human life or bodily injury (artificial life support devices or systems; surgical implantations; etc.), or may cause serious property damage (space system; undersea repeaters; nuclear power control systems; aircraft control systems; key plant systems; military equipment; etc.). Renesas Electronics disclaims any and all liability for any damages or losses incurred by you or any third parties arising from the use of any Renesas Electronics product that is inconsistent with any Renesas Electronics data sheet, user's manual or other Renesas Electronics document.
6. When using Renesas Electronics products, refer to the latest product information (data sheets, user's manuals, application notes, "General Notes for Handling and Using Semiconductor Devices" in the reliability handbook, etc.), and ensure that usage conditions are within the ranges specified by Renesas Electronics with respect to maximum ratings, operating power supply voltage range, heat dissipation characteristics, installation, etc. Renesas Electronics disclaims any and all liability for any malfunctions, failure or accident arising out of the use of Renesas Electronics products outside of such specified ranges.
7. Although Renesas Electronics endeavors to improve the quality and reliability of Renesas Electronics products, semiconductor products have specific characteristics, such as the occurrence of failure at a certain rate and malfunctions under certain use conditions. Unless designated as a high reliability product or a product for harsh environments in a Renesas Electronics data sheet or other Renesas Electronics document, Renesas Electronics products are not subject to radiation resistance design. You are responsible for implementing safety measures to guard against the possibility of bodily injury, injury or damage caused by fire, and/or danger to the public in the event of a failure or malfunction of Renesas Electronics products, such as safety design for hardware and software, including but not limited to redundancy, fire control and malfunction prevention, appropriate treatment for aging degradation or any other appropriate measures. Because the evaluation of microcomputer software alone is very difficult and impractical, you are responsible for evaluating the safety of the final products or systems manufactured by you.
8. Please contact a Renesas Electronics sales office for details as to environmental matters such as the environmental compatibility of each Renesas Electronics product. You are responsible for carefully and sufficiently investigating applicable laws and regulations that regulate the inclusion or use of controlled substances, including without limitation, the EU RoHS Directive, and using Renesas Electronics products in compliance with all these applicable laws and regulations. Renesas Electronics disclaims any and all liability for damages or losses occurring as a result of your noncompliance with applicable laws and regulations.
9. Renesas Electronics products and technologies shall not be used for or incorporated into any products or systems whose manufacture, use, or sale is prohibited under any applicable domestic or foreign laws or regulations. You shall comply with any applicable export control laws and regulations promulgated and administered by the governments of any countries asserting jurisdiction over the parties or transactions.
10. It is the responsibility of the buyer or distributor of Renesas Electronics products, or any other party who distributes, disposes of, or otherwise sells or transfers the product to a third party, to notify such third party in advance of the contents and conditions set forth in this document.
11. This document shall not be reprinted, reproduced or duplicated in any form, in whole or in part, without prior written consent of Renesas Electronics.
12. Please contact a Renesas Electronics sales office if you have any questions regarding the information contained in this document or Renesas Electronics products.
(Note 1) "Renesas Electronics" as used in this document means Renesas Electronics Corporation and also includes its directly or indirectly controlled subsidiaries.
(Note 2) "Renesas Electronics product(s)" means any product developed or manufactured by or for Renesas Electronics.

(Rev.4.0-1 November 2017)



SALES OFFICES

Renesas Electronics Corporation

<http://www.renesas.com>

Refer to "<http://www.renesas.com/>" for the latest and detailed information.

Renesas Electronics America Inc.
1001 Murphy Ranch Road, Milpitas, CA 95035, U.S.A.
Tel: +1-408-432-8888, Fax: +1-408-434-5351

Renesas Electronics Canada Limited
9251 Yonge Street, Suite 8309 Richmond Hill, Ontario Canada L4C 9T3
Tel: +1-905-237-2004

Renesas Electronics Europe Limited
Dukes Meadow, Millboard Road, Bourne End, Buckinghamshire, SL8 5FH, U.K
Tel: +44-1628-651-700, Fax: +44-1628-651-804

Renesas Electronics Europe GmbH
Arcadiastrasse 10, 40472 Düsseldorf, Germany
Tel: +49-211-6503-0, Fax: +49-211-6503-1327

Renesas Electronics (China) Co., Ltd.
Room 1709 Quantum Plaza, No.27 ZhichunLu, Haidian District, Beijing, 100191 P. R. China
Tel: +86-10-8235-1155, Fax: +86-10-8235-7679

Renesas Electronics (Shanghai) Co., Ltd.
Unit 301, Tower A, Central Towers, 555 Langao Road, Putuo District, Shanghai, 200333 P. R. China
Tel: +86-21-2226-0888, Fax: +86-21-2226-0999

Renesas Electronics Hong Kong Limited
Unit 1601-1611, 16/F., Tower 2, Grand Century Place, 193 Prince Edward Road West, Mongkok, Kowloon, Hong Kong
Tel: +852-2265-6688, Fax: +852-2886-9022

Renesas Electronics Taiwan Co., Ltd.
13F, No. 363, Fu Shing North Road, Taipei 10543, Taiwan
Tel: +886-2-8175-9600, Fax: +886-2-8175-9670

Renesas Electronics Singapore Pte. Ltd.
80 Bendemeer Road, Unit #06-02 Hyflux Innovation Centre, Singapore 339949
Tel: +65-6213-0200, Fax: +65-6213-0300

Renesas Electronics Malaysia Sdn.Bhd.
Unit 1207, Block B, Menara Amcorp, Amcorp Trade Centre, No. 18, Jln Persiaran Barat, 46050 Petaling Jaya, Selangor Darul Ehsan, Malaysia
Tel: +60-3-7955-9390, Fax: +60-3-7955-9510

Renesas Electronics India Pvt. Ltd.
No.777C, 100 Feet Road, HAL 2nd Stage, Indiranagar, Bangalore 560 038, India
Tel: +91-80-67208700, Fax: +91-80-67208777

Renesas Electronics Korea Co., Ltd.
17F, KAMCO Yangjae Tower, 262, Gangnam-daero, Gangnam-gu, Seoul, 06265 Korea
Tel: +82-2-558-3737, Fax: +82-2-558-5338