

Application of the CA3018 Integrated-Circuit Transistor Array

The CA3018 integrated circuit consists of four silicon epitaxial transistors produced by a monolithic process on a single chip mounted in a 12-lead TO-5 package. The four active devices, two isolated transistors plus two transistors with an emitter-base common connection, are especially suitable for applications in which closely matched device characteristics are required, or in which a number of active devices must be interconnected with non-integrable components such as tuned circuits, large-value resistors, variable resistors, and microfarad bypass capacitors. Such areas of application include if, rf (through 100MHz), video, agc, audio, and DC amplifiers. Because the CA3018 has the feature of device balance, it is useful in special applications of the differential amplifier, and can be used to advantage in circuits which require temperature compensation of base-to-emitter voltage.

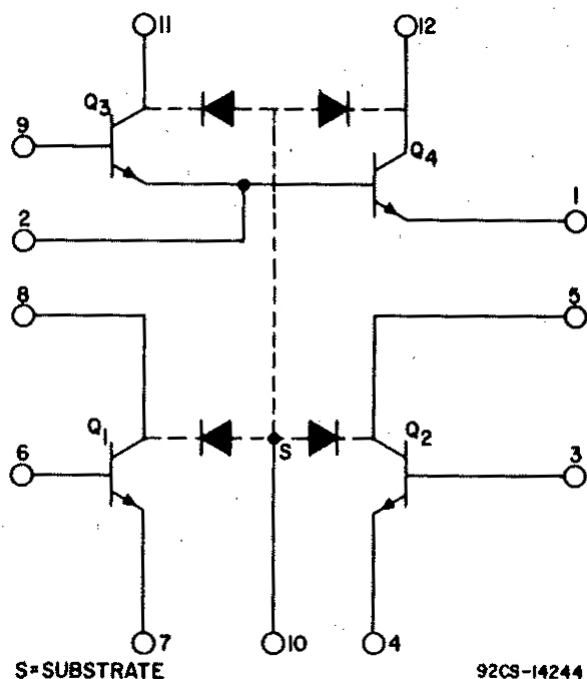


FIGURE 1. SCHEMATIC DIAGRAM AND TO-5 TERMINAL CONNECTIONS FOR THE CA3018 INTEGRATED CIRCUIT TRANSISTOR ARRAY

Circuit Description and Operating Characteristics

The circuit configuration for the CA3018 is shown in Figure 1. In a 12-lead TO-5 package, because it is necessary to provide a terminal for connection to the substrate, two transistor terminals must be connected to a common lead. The particular configuration chosen is useful in emitter-follower and Darlington circuit connections. In addition, the four transistors can be used almost independently if terminal 2 is grounded or AC grounded so that Q₃ can be used as a common-emitter amplifier and Q₄ as a common-base amplifier. In pulse video amplifiers and line-driver circuits, Q₄ can be used as a forward-biased diode in series with the

emitter of Q₃. Q₃ may be used as a diode connected to the base of Q₄; in a reverse-biased connection, Q₃ can serve as a protective diode in RF circuits connected to operational antennas. The presence of Q₃ does not inhibit the use of Q₄ in a large number of circuits.

In transistors Q₁, Q₂, and Q₄, the emitter lead is interposed between the base and collector leads to minimize package and lead capacitances. In Q₃, the substrate lead serves as the shield between base and collector. This lead arrangement reduces feedback capacitance in common-emitter amplifiers, and thus extends video bandwidth and increases tuned-circuit amplifier gain stability.

Circuit Applications

The applications for the CA3018 are many and varied. The typical applications discussed in this Application Note have been selected to demonstrate the advantages of four matched devices available on a single chip. These few examples should stimulate the generation of a great many more applications.

Video Amplifiers

A common approach to video-amplifier design is to use two transistors in a configuration designed to reduce the feedback capacitance (appearing as a Miller capacitance) inherent in a single triode device. Three configurations which utilize two devices are (1) the cascode circuit, (2) the single-ended differential-amplifier, and (3) the common-collector, common-emitter circuit. In all three circuits, the output-to-input feedback capacitance is minimized by isolation inherent in the configuration. The availability of four identical transistors in a common package provides a convenient vehicle for these circuit configurations for video-amplifier design. Two of the many possible circuit variations are discussed in the following.

BROADBAND VIDEO AMPLIFIER

A broadband video amplifier design using the CA3018 is shown in Figure 2. This amplifier may be considered as two DC-coupled stages, each consisting of a common-emitter, common-collector configuration. The common-collector transistor provides a low-impedance source to the input of the common-emitter transistor and a high-impedance, low-capacitance load at the common-emitter output. Iterative operation of the video amplifier can be achieved by capacitive coupling of stages.

Two feedback loops provide DC stability of the broadband video amplifier and exchange gain for bandwidth. The feedback loop from the emitter of Q₃ to the base of Q₁ provides DC and low-frequency feedback; the loop from the collector of Q₄ to the collector of Q₁ provides both DC feedback and AC feedback at all frequencies.

The frequency response of the broadband video amplifier is shown in Figure 3. The upper 3dB break occurs at a frequency of 32MHz. The low-frequency 3dB characteristics are determined primarily by the values of capacitors C₁, C₂, and

C₃. The low-frequency 3dB break occurs at 800Hz. The mid-frequency gain of 49dB is constant to within 1dB over the temperature range from -55° to -125°C. The upper 3dB break is constant at 32MHz from -55°C to +25°C, and drops to 21MHz at +125°C.

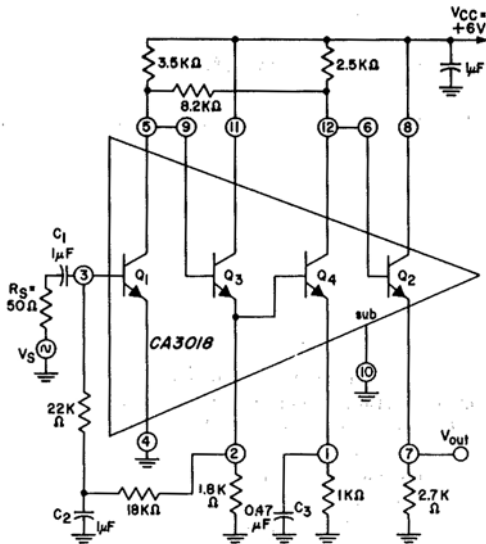


FIGURE 2. SCHEMATIC DIAGRAM FOR A CA3018 BROADBAND VIDEO AMPLIFIER

The total power dissipation over the entire temperature range is 22.8mW. The DC output voltage varies from 2.33V at -55°C to 3V at +125°C. The tangential sensitivity occurs at 20μV_{P-P}. The dynamic range is from 20μV_{P-P} to 4mV_{RMS} at the input.

The circuit of Figure 2 demonstrates a typical approach that can be altered, especially with regard to gain and bandwidth, to meet specific performance requirements.

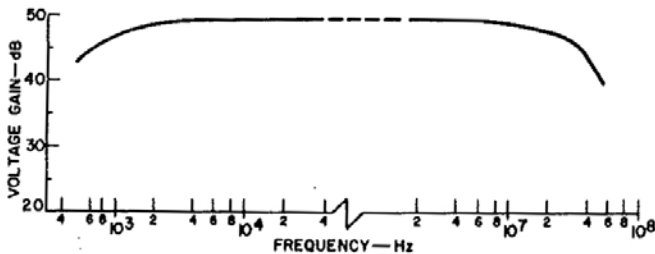


FIGURE 3. VOLTAGE GAIN AS A FUNCTION OF FREQUENCY FOR THE BROADBAND VIDEO AMPLIFIER OF FIGURE 2

CASCADE VIDEO AMPLIFIER

The cascode configuration offers the advantages of common-emitter gain with reduced feedback capacitance and thus greater bandwidth. Figure 4 shows a typical circuit diagram of a cascode video amplifier using the CA3018. Transistors Q₂ and Q₁ comprise the common-emitter and common-base portions of the cascode, respectively. The common-base unit is followed by cascaded emitter followers (Q₃ and Q₄) which

provide a low output impedance to maintain bandwidth for iterative operation.

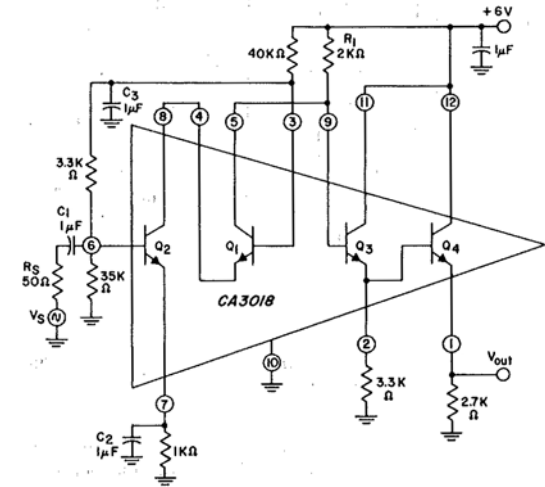


FIGURE 4. SCHEMATIC DIAGRAM FOR A CA3018 CASCADE VIDEO AMPLIFIER

The frequency response of the cascode video amplifier is shown in Figure 5. The lower and upper 3dB points occur at frequencies of 6kHz and 11MHz, respectively. The lower 3dB point is primarily a function of capacitors C₁, C₂, and C₃. The upper 3dB point is a function of the devices and of the load resistor R₁, and is 10.5MHz at -55°C and 5MHz at 125°C.

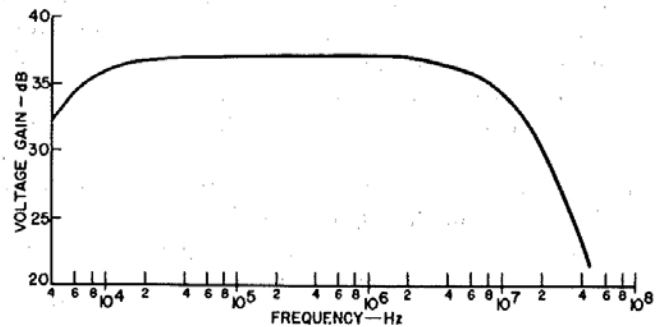


FIGURE 5. VOLTAGE GAIN AS A FUNCTION OF FREQUENCY FOR THE CASCADE AMPLIFIER OF FIGURE 4

The mid-frequency voltage gain of the amplifier is 37dB ±1dB over the temperature range from -55°C to 125°C. The power dissipation varies from 16.8mW at -55°C to 17.6mW at 125°C. The amplifier has a tangential sensitivity of 40μV_{P-P} and a useful dynamic input range from 40μV_{P-P} to 16.6mV_{P-P}.

15MHz RF Amplifier

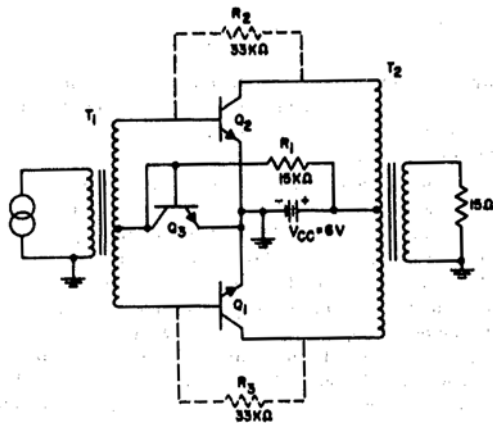
Figure 6 shows a typical design approach for a tuned amplifier for use in the frequency range of 2 to 30MHz in military receivers. This circuit was designed for a mid-band frequency of 15MHz to demonstrate its capability. Gain is obtained in a common-emitter stage (Q₄). Transistor Q₂ is used as a variable resistor in the emitter of Q₄ to provide improved signal-handling capability with age. Transistor Q₁ is used as a bias diode to stabilize Q₄ with temperature, and the reverse breakdown of Q₃ as a diode is used

The If amplifier of Figure 8 has a voltage gain of 30dB at 1MHz. Transistor Q_1 is used in the base-bias loop of the common-emitter amplifier Q_2 to stabilize the output operating point against temperature variations. This arrangement also eliminates the need for an emitter resistor and bypass capacitor, and thus provides a larger voltage-swing capability for Q_2 . If Q_2 is biased conventionally with base-bias resistors, Q_1 can be made available for the first audio or agc amplifier.

Class B Amplifier

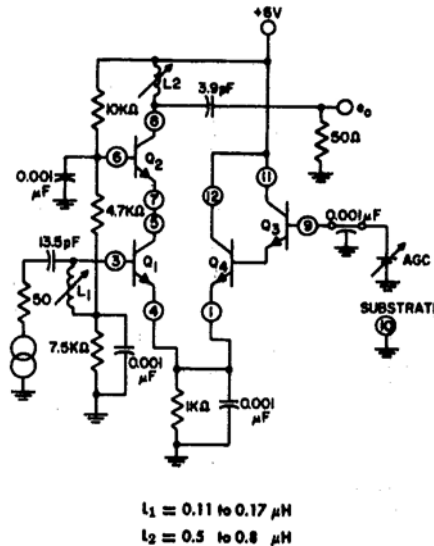
Characteristics were obtained on a low-level class B amplifier to establish the idling-current performance of nearly identical devices on a single chip with respect to temperature variations. The transistors in the CA3018 can be used only for low-power class B operation (maximum output of 40mW) because of the h_{FE} roll-off and moderately high saturation resistance at high currents. A typical circuit is shown in Figure 9. Idling-current bias is provided to Q_1 and Q_2 by use of transistor Q_3 as a diode (with collector and base shorted) and connection of a series resistor to the supply. The idling current for each transistor in the class B output is equal to the current established in the resistance-diode loop. Because the resistor R_1 is the predominant factor in controlling the current in the bias loop, the bias current is relatively independent of temperature. In addition, because the devices have nearly equal characteristics and are at the same temperature, the idling current is nearly independent through the full military temperature range. The total idling current for transistors Q_1 and Q_2 in Figure 9 varies from 0.5 to 0.6mA from -55 to +125°C. Excellent balance between output devices is achieved throughout the range.

AC feedback as well as DC feedback can be obtained by substitution of two resistors R_2 and R_3 in place of R_1 , as shown by the dotted lines in Figure 9. These two resistors, which have a parallel combination equal to R_1 , are connected between collector and base of transistors Q_2 and Q_1 . The added feedback reduces the power gain by approximately 6dB (30 to 24dB), but improves the linearity of the circuit. Although the output-power capability for the circuit shown in Figure 9 is approximately 18mW, output levels up to 40mW can be obtained in similar configurations with optimized components.



T₁ — ADC Products No. 55X1322 or equiv.
 T₂ — Chicago Standard Trans. Corp. No. TA-10 or equiv.
 Note: R₁ is removed when R₂ and R₃ are added.

FIGURE 9. SCHEMATIC DIAGRAM FOR A CA3018 CLASS H AMPLIFIER



L₁ = 0.11 to 0.17 μH
 L₂ = 0.5 to 0.8 μH

FIGURE 10. SCHEMATIC DIAGRAM FOR A CA3018 100MHZ CASCODE AMPLIFIER

100MHz Tuned RF Amplifier

Figure 10 illustrates the use of the CA3018 in a 100MHz cascode circuit with an agc amplifier. Transistors Q_1 and Q_2 are used in a cascode configuration, and transistors Q_3 and Q_4 are used to provide an agc capability and amplification. With a positive-going agc signal, current in the cascode amplifier is transferred to the Darlington configuration by differential-amplifier action. This agc amplifier has the advantage of low-power drive (high input impedance). In addition, the emitter of Q_1 can be back-biased with respect to the base to provide larger input-signal-handling capability under full agc conditions.

The operating characteristics of the amplifier shown in Figure 10 are as follows:

Power Gain.....	26dB
Agc Range.....	70dB
3dB Bandwidth.....	4.5MHz
Noise Figure.....	.6.8dB
Power Dissipation.....	.7.7mW

The response characteristic is shown in Figure 11.

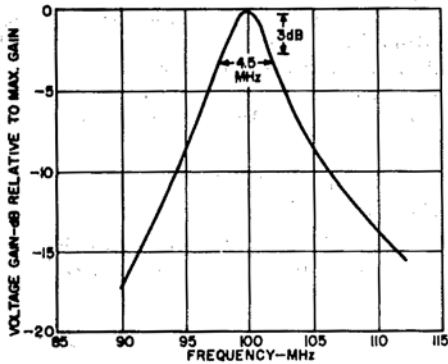


FIGURE 11. RESPONSE CHARACTERISTIC OF 100MHz AMPLIFIER OF FIGURE 10

Notice

1. Descriptions of circuits, software and other related information in this document are provided only to illustrate the operation of semiconductor products and application examples. You are fully responsible for the incorporation or any other use of the circuits, software, and information in the design of your product or system. Renesas Electronics disclaims any and all liability for any losses and damages incurred by you or third parties arising from the use of these circuits, software, or information.
2. Renesas Electronics hereby expressly disclaims any warranties against and liability for infringement or any other claims involving patents, copyrights, or other intellectual property rights of third parties, by or arising from the use of Renesas Electronics products or technical information described in this document, including but not limited to, the product data, drawings, charts, programs, algorithms, and application examples.
3. No license, express, implied or otherwise, is granted hereby under any patents, copyrights or other intellectual property rights of Renesas Electronics or others.
4. You shall not alter, modify, copy, or reverse engineer any Renesas Electronics product, whether in whole or in part. Renesas Electronics disclaims any and all liability for any losses or damages incurred by you or third parties arising from such alteration, modification, copying or reverse engineering.
5. Renesas Electronics products are classified according to the following two quality grades: "Standard" and "High Quality". The intended applications for each Renesas Electronics product depends on the product's quality grade, as indicated below.
"Standard": Computers; office equipment; communications equipment; test and measurement equipment; audio and visual equipment; home electronic appliances; machine tools; personal electronic equipment; industrial robots; etc.
"High Quality": Transportation equipment (automobiles, trains, ships, etc.); traffic control (traffic lights); large-scale communication equipment; key financial terminal systems; safety control equipment; etc.
Unless expressly designated as a high reliability product or a product for harsh environments in a Renesas Electronics data sheet or other Renesas Electronics document, Renesas Electronics products are not intended or authorized for use in products or systems that may pose a direct threat to human life or bodily injury (artificial life support devices or systems; surgical implantations; etc.), or may cause serious property damage (space system; undersea repeaters; nuclear power control systems; aircraft control systems; key plant systems; military equipment; etc.). Renesas Electronics disclaims any and all liability for any damages or losses incurred by you or any third parties arising from the use of any Renesas Electronics product that is inconsistent with any Renesas Electronics data sheet, user's manual or other Renesas Electronics document.
6. When using Renesas Electronics products, refer to the latest product information (data sheets, user's manuals, application notes, "General Notes for Handling and Using Semiconductor Devices" in the reliability handbook, etc.), and ensure that usage conditions are within the ranges specified by Renesas Electronics with respect to maximum ratings, operating power supply voltage range, heat dissipation characteristics, installation, etc. Renesas Electronics disclaims any and all liability for any malfunctions, failure or accident arising out of the use of Renesas Electronics products outside of such specified ranges.
7. Although Renesas Electronics endeavors to improve the quality and reliability of Renesas Electronics products, semiconductor products have specific characteristics, such as the occurrence of failure at a certain rate and malfunctions under certain use conditions. Unless designated as a high reliability product or a product for harsh environments in a Renesas Electronics data sheet or other Renesas Electronics document, Renesas Electronics products are not subject to radiation resistance design. You are responsible for implementing safety measures to guard against the possibility of bodily injury, injury or damage caused by fire, and/or danger to the public in the event of a failure or malfunction of Renesas Electronics products, such as safety design for hardware and software, including but not limited to redundancy, fire control and malfunction prevention, appropriate treatment for aging degradation or any other appropriate measures. Because the evaluation of microcomputer software alone is very difficult and impractical, you are responsible for evaluating the safety of the final products or systems manufactured by you.
8. Please contact a Renesas Electronics sales office for details as to environmental matters such as the environmental compatibility of each Renesas Electronics product. You are responsible for carefully and sufficiently investigating applicable laws and regulations that regulate the inclusion or use of controlled substances, including without limitation, the EU RoHS Directive, and using Renesas Electronics products in compliance with all these applicable laws and regulations. Renesas Electronics disclaims any and all liability for damages or losses occurring as a result of your noncompliance with applicable laws and regulations.
9. Renesas Electronics products and technologies shall not be used for or incorporated into any products or systems whose manufacture, use, or sale is prohibited under any applicable domestic or foreign laws or regulations. You shall comply with any applicable export control laws and regulations promulgated and administered by the governments of any countries asserting jurisdiction over the parties or transactions.
10. It is the responsibility of the buyer or distributor of Renesas Electronics products, or any other party who distributes, disposes of, or otherwise sells or transfers the product to a third party, to notify such third party in advance of the contents and conditions set forth in this document.
11. This document shall not be reprinted, reproduced or duplicated in any form, in whole or in part, without prior written consent of Renesas Electronics.
12. Please contact a Renesas Electronics sales office if you have any questions regarding the information contained in this document or Renesas Electronics products.
(Note 1) "Renesas Electronics" as used in this document means Renesas Electronics Corporation and also includes its directly or indirectly controlled subsidiaries.
(Note 2) "Renesas Electronics product(s)" means any product developed or manufactured by or for Renesas Electronics.

(Rev.4.0-1 November 2017)



SALES OFFICES

Renesas Electronics Corporation

<http://www.renesas.com>

Refer to "<http://www.renesas.com/>" for the latest and detailed information.

Renesas Electronics America Inc.
1001 Murphy Ranch Road, Milpitas, CA 95035, U.S.A.
Tel: +1-408-432-8888, Fax: +1-408-434-5351

Renesas Electronics Canada Limited
9251 Yonge Street, Suite 8309 Richmond Hill, Ontario Canada L4C 9T3
Tel: +1-905-237-2004

Renesas Electronics Europe Limited
Dukes Meadow, Millboard Road, Bourne End, Buckinghamshire, SL8 5FH, U.K
Tel: +44-1628-651-700, Fax: +44-1628-651-804

Renesas Electronics Europe GmbH
Arcadiastrasse 10, 40472 Düsseldorf, Germany
Tel: +49-211-6503-0, Fax: +49-211-6503-1327

Renesas Electronics (China) Co., Ltd.
Room 1709 Quantum Plaza, No.27 ZhichunLu, Haidian District, Beijing, 100191 P. R. China
Tel: +86-10-8235-1155, Fax: +86-10-8235-7679

Renesas Electronics (Shanghai) Co., Ltd.
Unit 301, Tower A, Central Towers, 555 Langao Road, Putuo District, Shanghai, 200333 P. R. China
Tel: +86-21-2226-0888, Fax: +86-21-2226-0999

Renesas Electronics Hong Kong Limited
Unit 1601-1611, 16/F., Tower 2, Grand Century Place, 193 Prince Edward Road West, Mongkok, Kowloon, Hong Kong
Tel: +852-2265-6688, Fax: +852-2886-9022

Renesas Electronics Taiwan Co., Ltd.
13F, No. 363, Fu Shing North Road, Taipei 10543, Taiwan
Tel: +886-2-8175-9600, Fax: +886-2-8175-9670

Renesas Electronics Singapore Pte. Ltd.
80 Bendemeer Road, Unit #06-02 Hyflux Innovation Centre, Singapore 339949
Tel: +65-6213-0200, Fax: +65-6213-0300

Renesas Electronics Malaysia Sdn.Bhd.
Unit 1207, Block B, Menara Amcorp, Amcorp Trade Centre, No. 18, Jln Persiaran Barat, 46050 Petaling Jaya, Selangor Darul Ehsan, Malaysia
Tel: +60-3-7955-9390, Fax: +60-3-7955-9510

Renesas Electronics India Pvt. Ltd.
No.777C, 100 Feet Road, HAL 2nd Stage, Indiranagar, Bangalore 560 038, India
Tel: +91-80-67208700, Fax: +91-80-67208777

Renesas Electronics Korea Co., Ltd.
17F, KAMCO Yangjae Tower, 262, Gangnam-daero, Gangnam-gu, Seoul, 06265 Korea
Tel: +82-2-558-3737, Fax: +82-2-558-5338