

Introduction

The SLG46116 combines the functionality and versatility of a GreenPAK programmable mixed-signal ASICs with the power capabilities of GreenFET technology.

This application note demonstrates how to design a simple state machine using a SLG46116. In this application, a simple state machine controls power LED headlights and tail lights for cycling.

Bike LED light circuit design

As shown in Figures 1, 2, a four-state machine is implemented using two DFFs (DFF 2 and DFF 3). The first state is off, second state is full LED brightness, third state is 50 percent brightness, and the fourth state is LED's blinking at 5 Hz.

Button bounce is filtered by CNT/DLY0. The states are decoded by two 2-bit LUTs, two 3-bit LUTs and one 4-bit LUT (2-bit LUT3, 2-bit LUT0, 3-bit LUT2, 3-bit LUT3, 4-bit LUT0). Output of 4-bit LUT0 controls a P-FET Power Switch. The 5 Hz generator is implemented using 2-bit LUT2, CNT/DLY1 and a Pipe Delay. The battery charge is monitored by ACMP0. 2-bit LUT1 inverts the output of ACMP0.

Bike LED light circuit analysis

When this device is powered on it initializes in the first state: the output pins (BAT_LOW, BAT_OK, V_OUT and PWR_SW_ON) are LOW. When the Button (PIN 1) is pushed LOW the device goes to the next state. This device and completed PCB were tested and are shown in Figures 3, 4, 5, 6, 7 and 8.

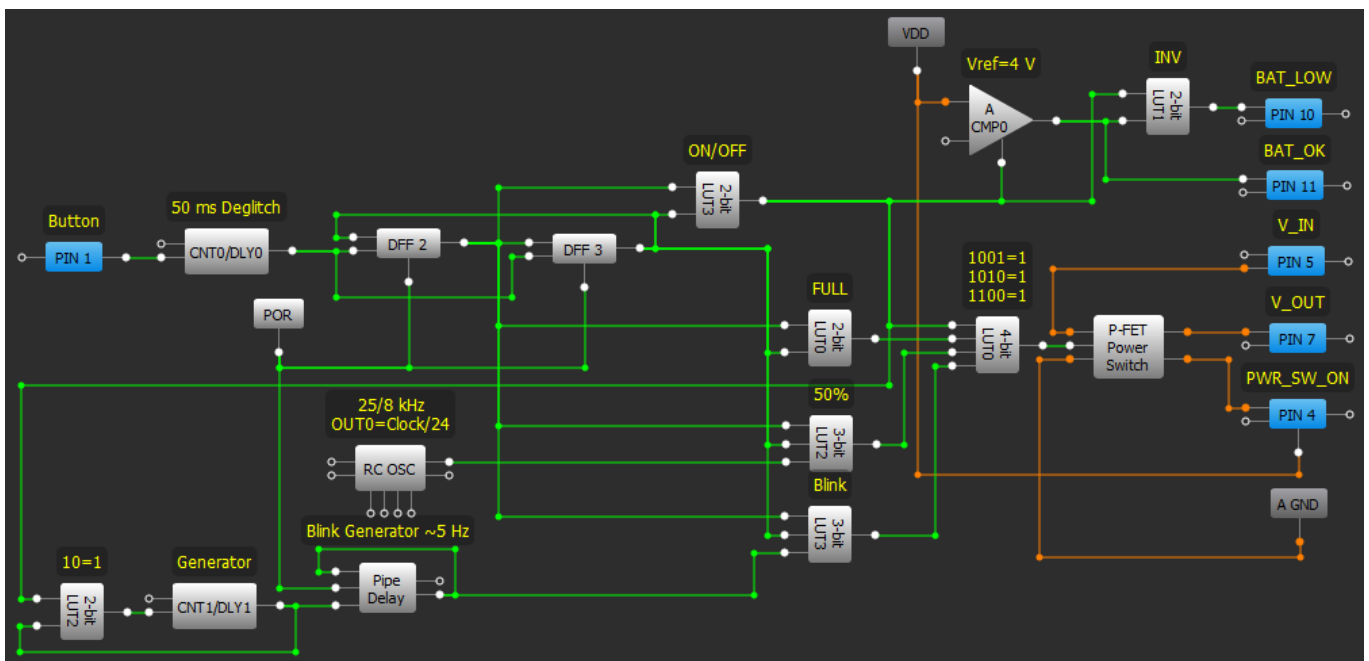


Figure 1. Bike LED headlight circuit design

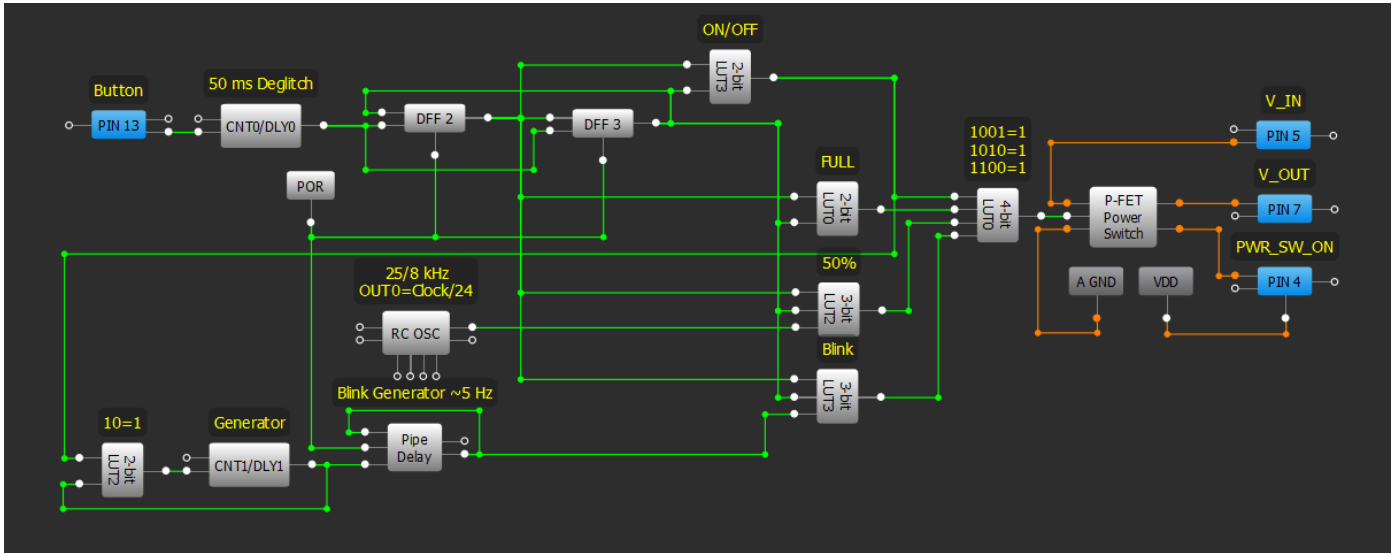


Figure 2. Bike LED tail light circuit design

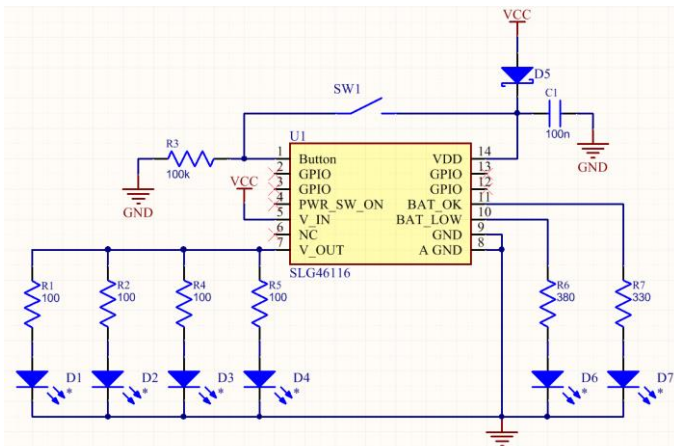


Figure 3. Bike LED headlight typical application circuit

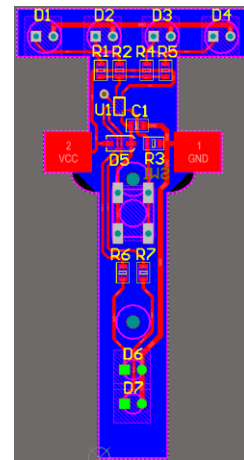


Figure 5. Bike LED headlight PCB layout

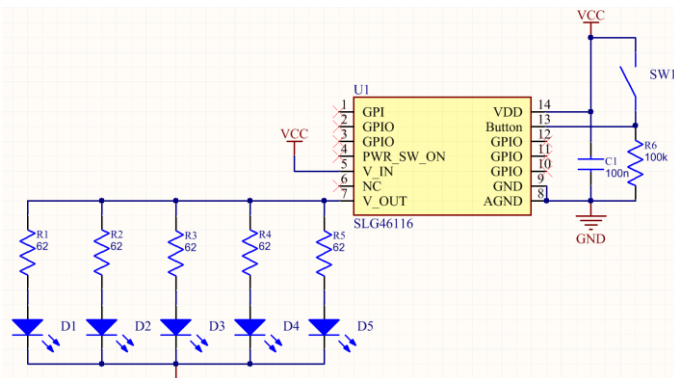


Figure 4. Bike LED tail light typical application circuit

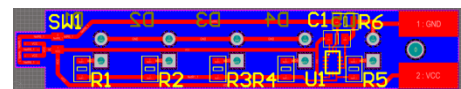


Figure 6. Bike LED tail light PCB layout

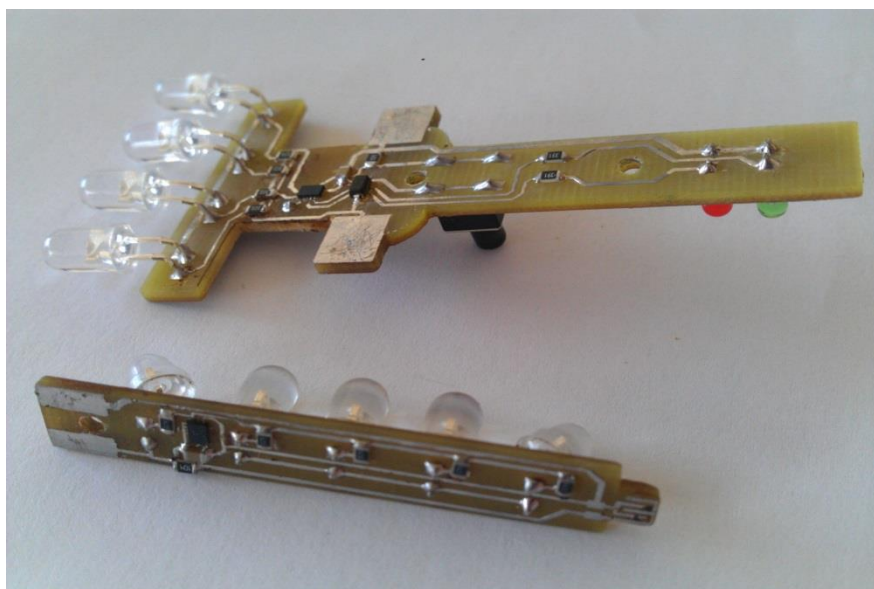


Figure 7. Completed PCBs



Figure 8. Completed devices

Conclusion

A simple state machine and power LED driving can be easily implemented using a SLG46116 IC. It has low power consumption, and only a few external components needed to complete this design.

Related Files

Programming code for [GreenPAK Designer](#).

IMPORTANT NOTICE AND DISCLAIMER

RENESAS ELECTRONICS CORPORATION AND ITS SUBSIDIARIES (“RENESAS”) PROVIDES TECHNICAL SPECIFICATIONS AND RELIABILITY DATA (INCLUDING DATASHEETS), DESIGN RESOURCES (INCLUDING REFERENCE DESIGNS), APPLICATION OR OTHER DESIGN ADVICE, WEB TOOLS, SAFETY INFORMATION, AND OTHER RESOURCES “AS IS” AND WITH ALL FAULTS, AND DISCLAIMS ALL WARRANTIES, EXPRESS OR IMPLIED, INCLUDING, WITHOUT LIMITATION, ANY IMPLIED WARRANTIES OF MERCHANTABILITY, FITNESS FOR A PARTICULAR PURPOSE, OR NON-INFRINGEMENT OF THIRD-PARTY INTELLECTUAL PROPERTY RIGHTS.

These resources are intended for developers who are designing with Renesas products. You are solely responsible for (1) selecting the appropriate products for your application, (2) designing, validating, and testing your application, and (3) ensuring your application meets applicable standards, and any other safety, security, or other requirements. These resources are subject to change without notice. Renesas grants you permission to use these resources only to develop an application that uses Renesas products. Other reproduction or use of these resources is strictly prohibited. No license is granted to any other Renesas intellectual property or to any third-party intellectual property. Renesas disclaims responsibility for, and you will fully indemnify Renesas and its representatives against, any claims, damages, costs, losses, or liabilities arising from your use of these resources. Renesas' products are provided only subject to Renesas' Terms and Conditions of Sale or other applicable terms agreed to in writing. No use of any Renesas resources expands or otherwise alters any applicable warranties or warranty disclaimers for these products.

(Disclaimer Rev.1.01 Jan 2024)

Corporate Headquarters

TOYOSU FORESIA, 3-2-24 Toyosu,
Koto-ku, Tokyo 135-0061, Japan
www.renesas.com

Trademarks

Renesas and the Renesas logo are trademarks of Renesas Electronics Corporation. All trademarks and registered trademarks are the property of their respective owners.

Contact Information

For further information on a product, technology, the most up-to-date version of a document, or your nearest sales office, please visit www.renesas.com/contact-us/.