

# RL78/G24 Fast Prototyping Board Schematic

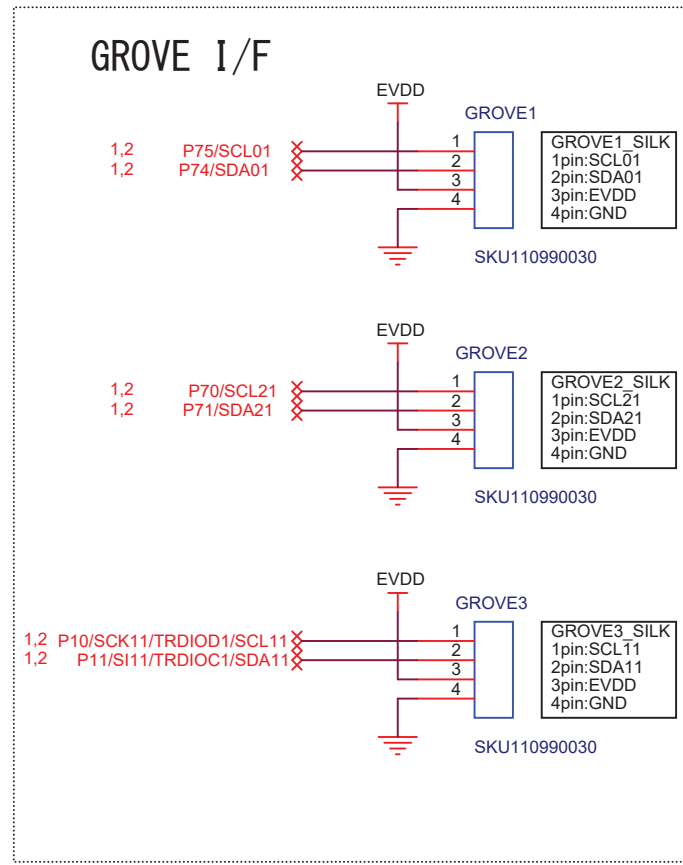
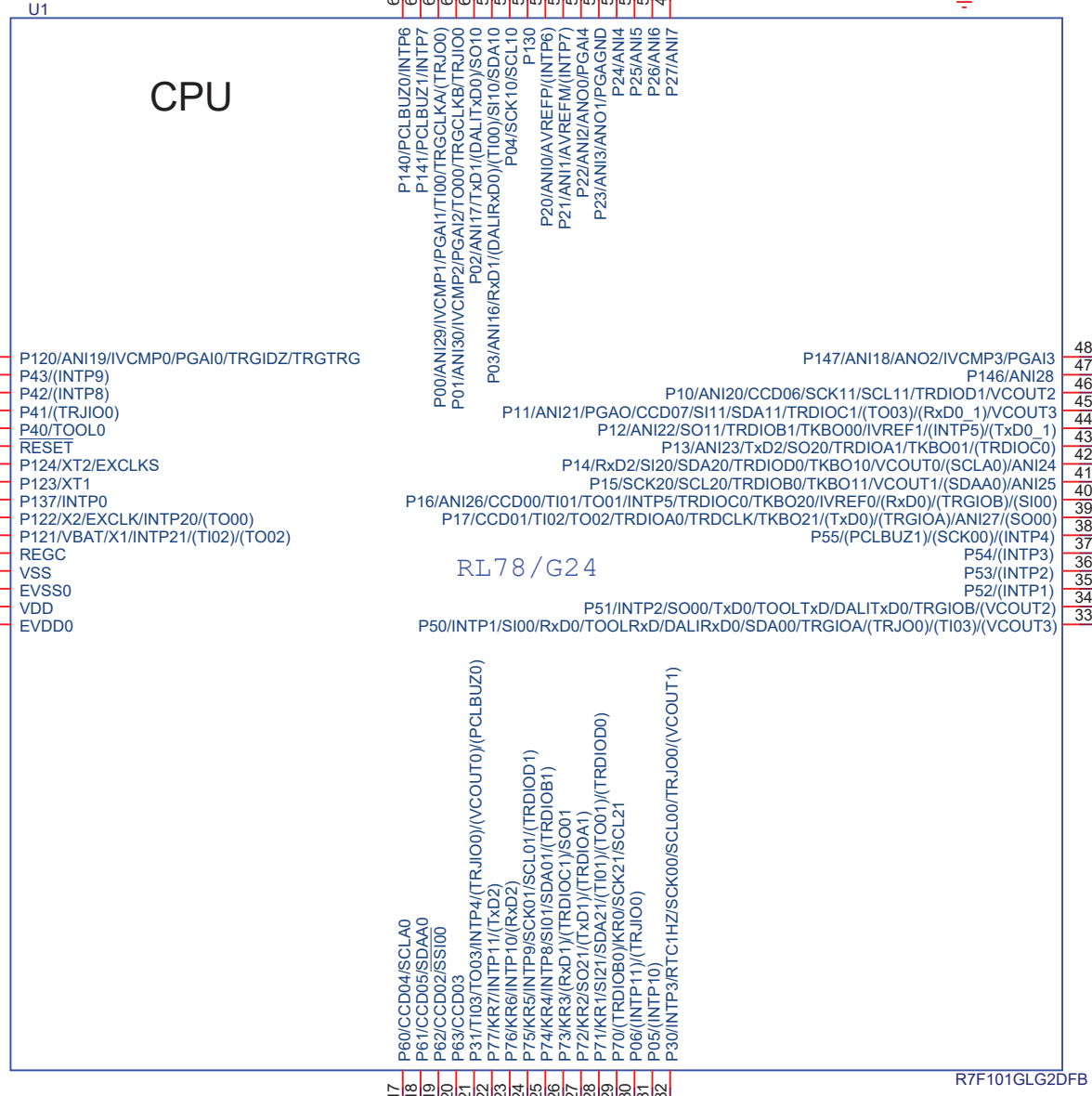
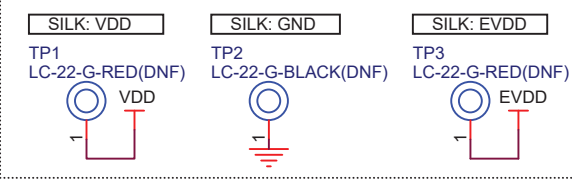
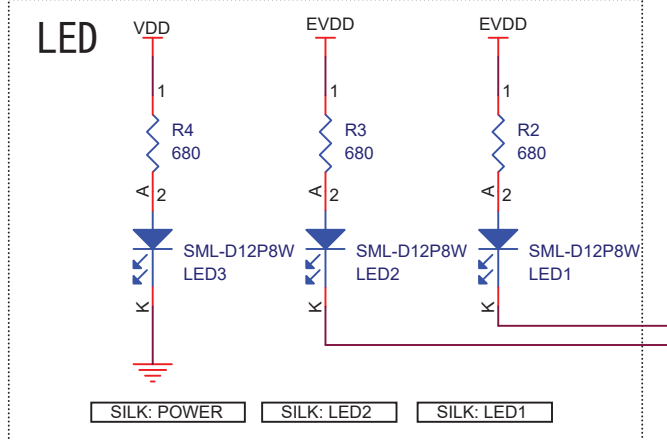
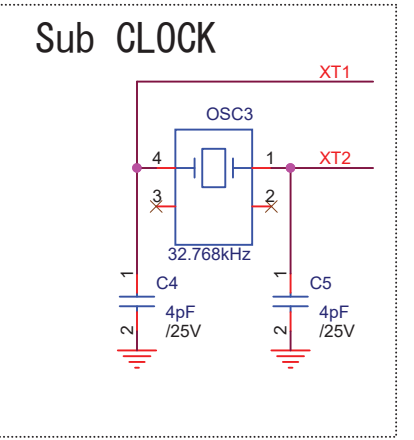
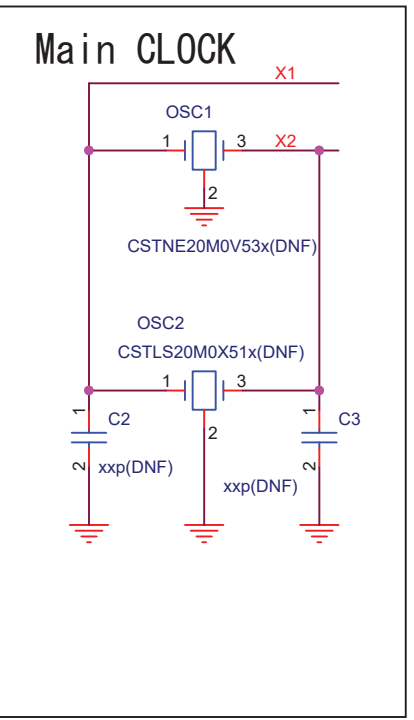
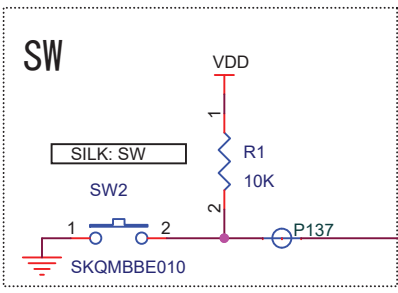
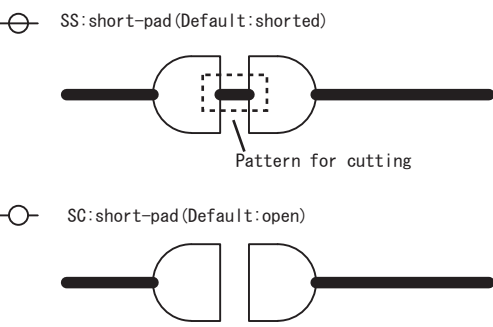
Product No: RTK7RLG240C00000BJ

Document No:R20UT5092EJ Rev.1.00

Page1 : CPU, GROVE I/F, LED, SW, CLOCK

Page2 : POWER, Micro USB I/F, E2 Emulator I/F, Reset, MCU Header, Pmod I/F, Arduino UNO R3 I/F

\*(DNF) : Do not fit(Unmount)



Shielded the line with GND

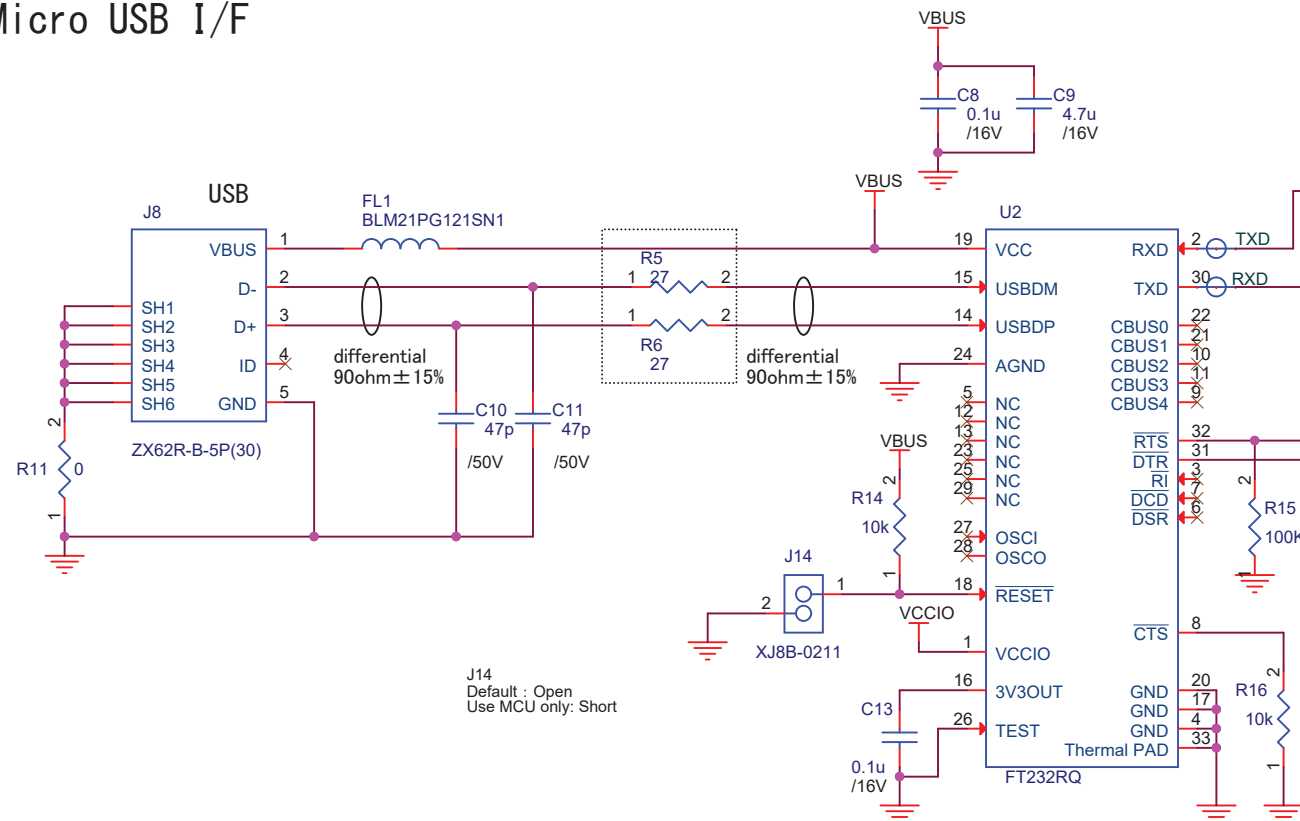
OSC1, OSC2, X1, X2, XT1, XT2, RESET, T\_RESET

The power line thickened

VDD, EVDD, REGC, 5V, VBUS, 3V3, Pmod1\_VCC, Pmod2\_VCC

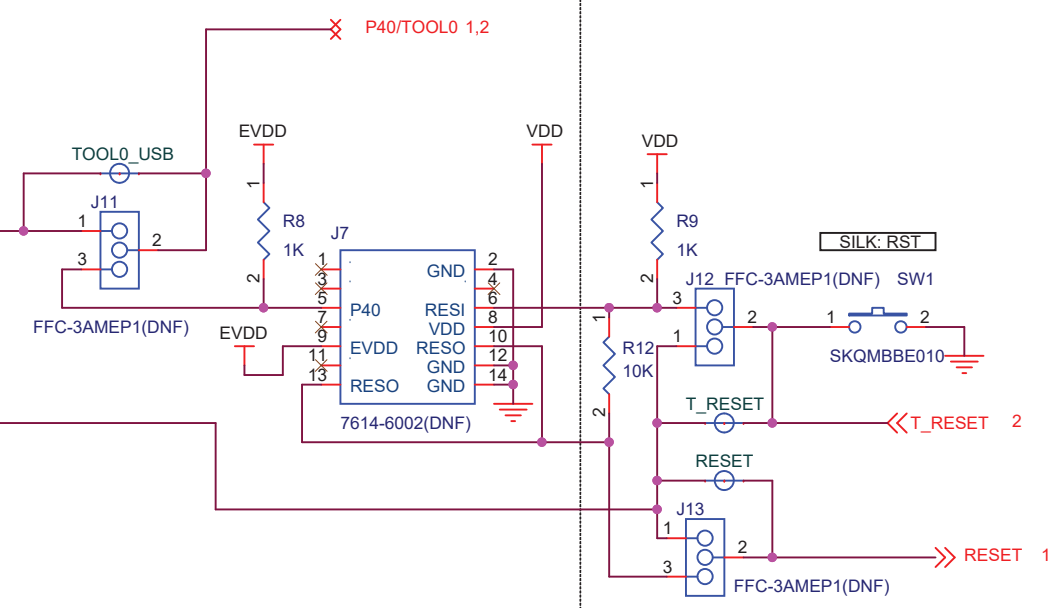
RENESAS		Renesas Electronics Corporation	
Title			
RTK7RLG240C00000BJ			
Size	Document Number	Rev	
A3	R20UT5092EJ	1.0	
Date:	Apr 16, 2023	Sheet	1 of 2

# Micro USB I/F



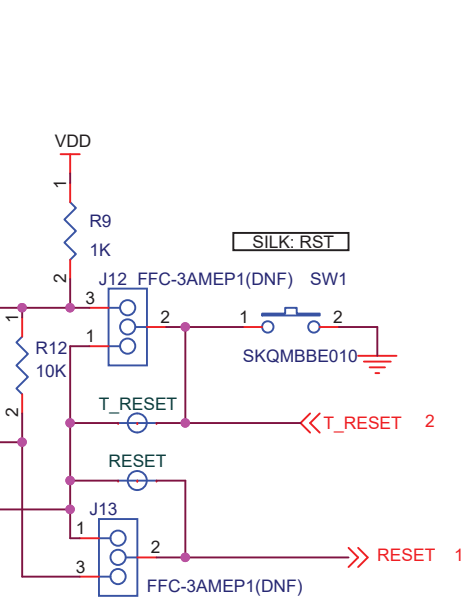
J14  
Default : Open  
Use MCU only: Short

# E2 Emulator I/F

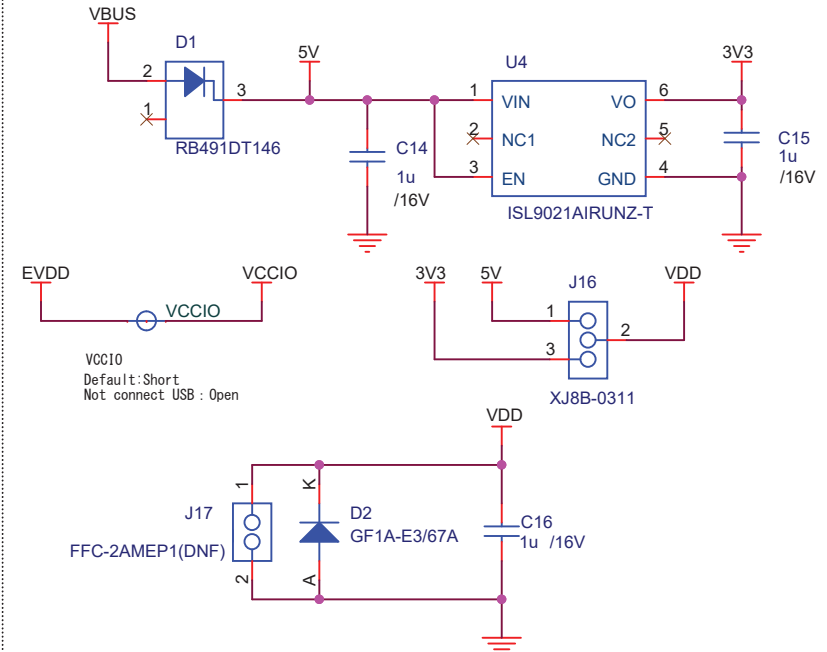


J11, J12, J13  
1-2 short : COM port Debug  
2-3 short : E2/E2 Lite Emulator

# RESET

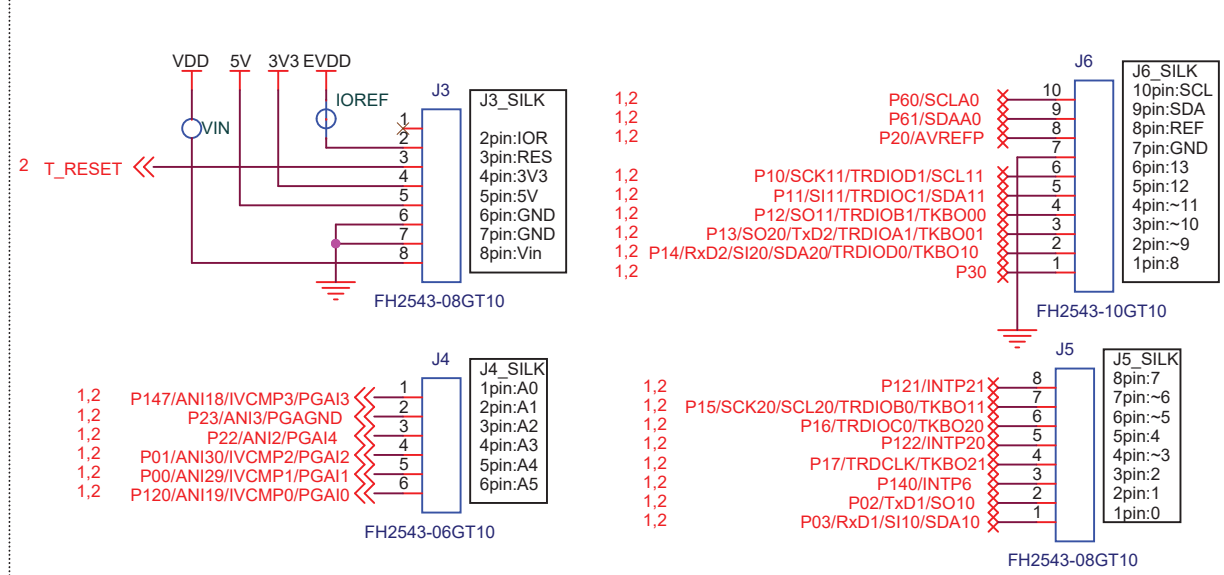


# Power

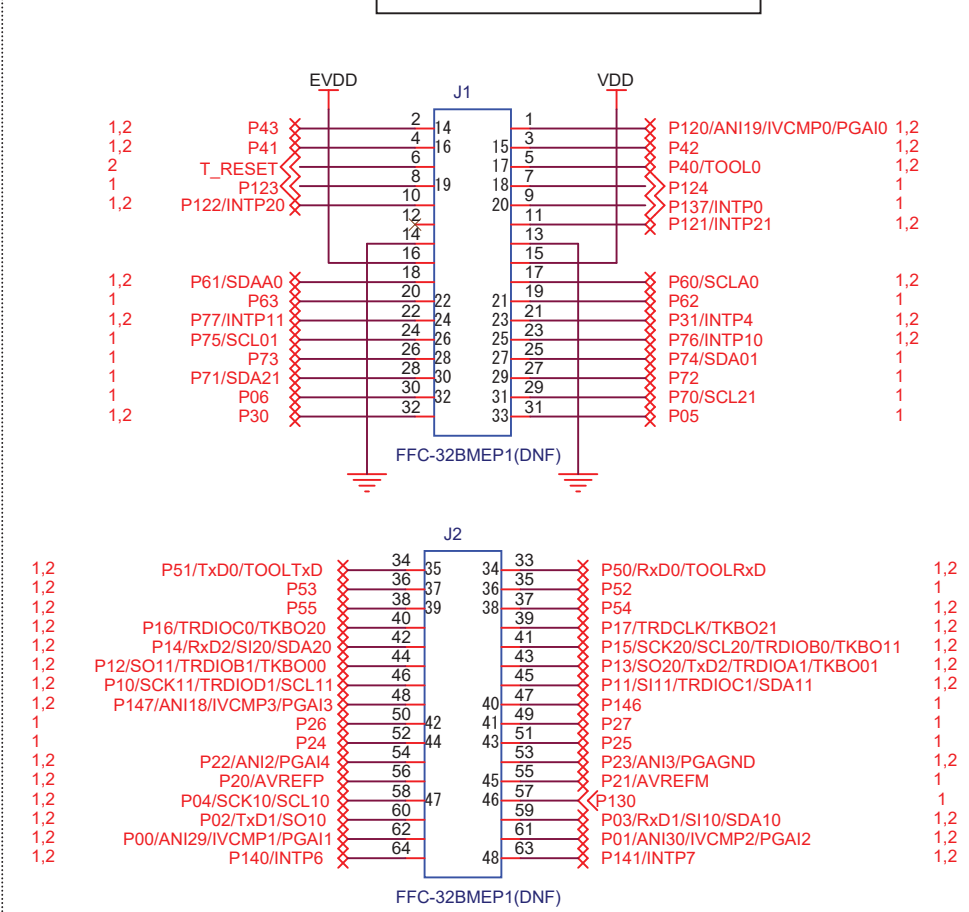


VCC10  
Default: Short  
Not connect USB : Open

# Arduino UNO R3 I/F

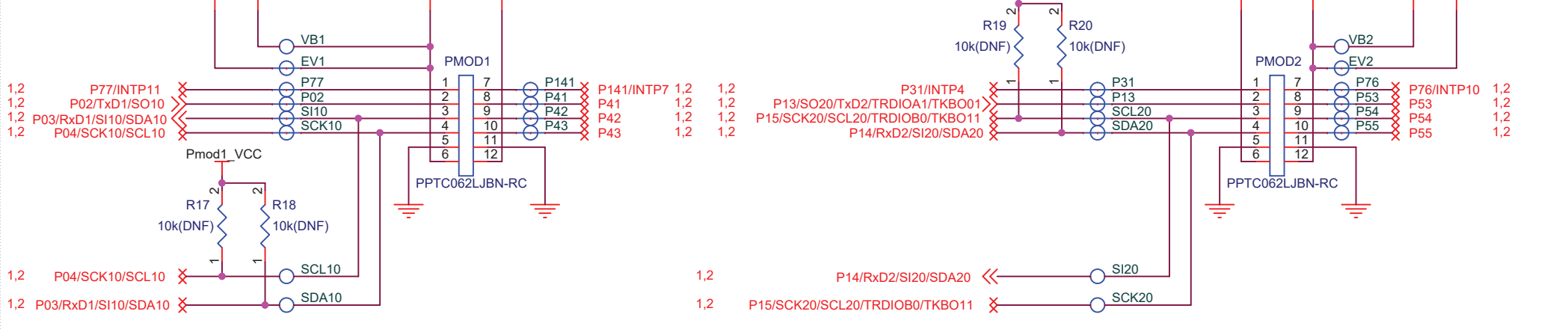


# MCU header I/F



SILK : Parts side...Number is in the frame  
Solder side...Number is Port(Pxx)

# Pmod I/F



RENESAS		Renesas Electronics Corporation	
Title RTK7RLG240C00000BJ			
Size A3	Document Number R20UT5092EJ	Rev 1.0	
Date: Apr 16, 2023	Sheet 2		of 2