

RL78/G23-128p Fast Prototyping Board Schematic

Product No: RTK7RLG230CSN000BJ

Document No: R20UT4993EJ Rev.1.01

Page 1 : CPU,GROVE I/F,Arduino UNO MEGA 2560 I/F, LED, Capacitive Touch Button, SW, CLOCK

Page 2 : POWER,Micro USB I/F,E2 Emulator I/F,Reset, MCU Haeder, Pmod I/F

*(DNF): Do not fit(Unmount)

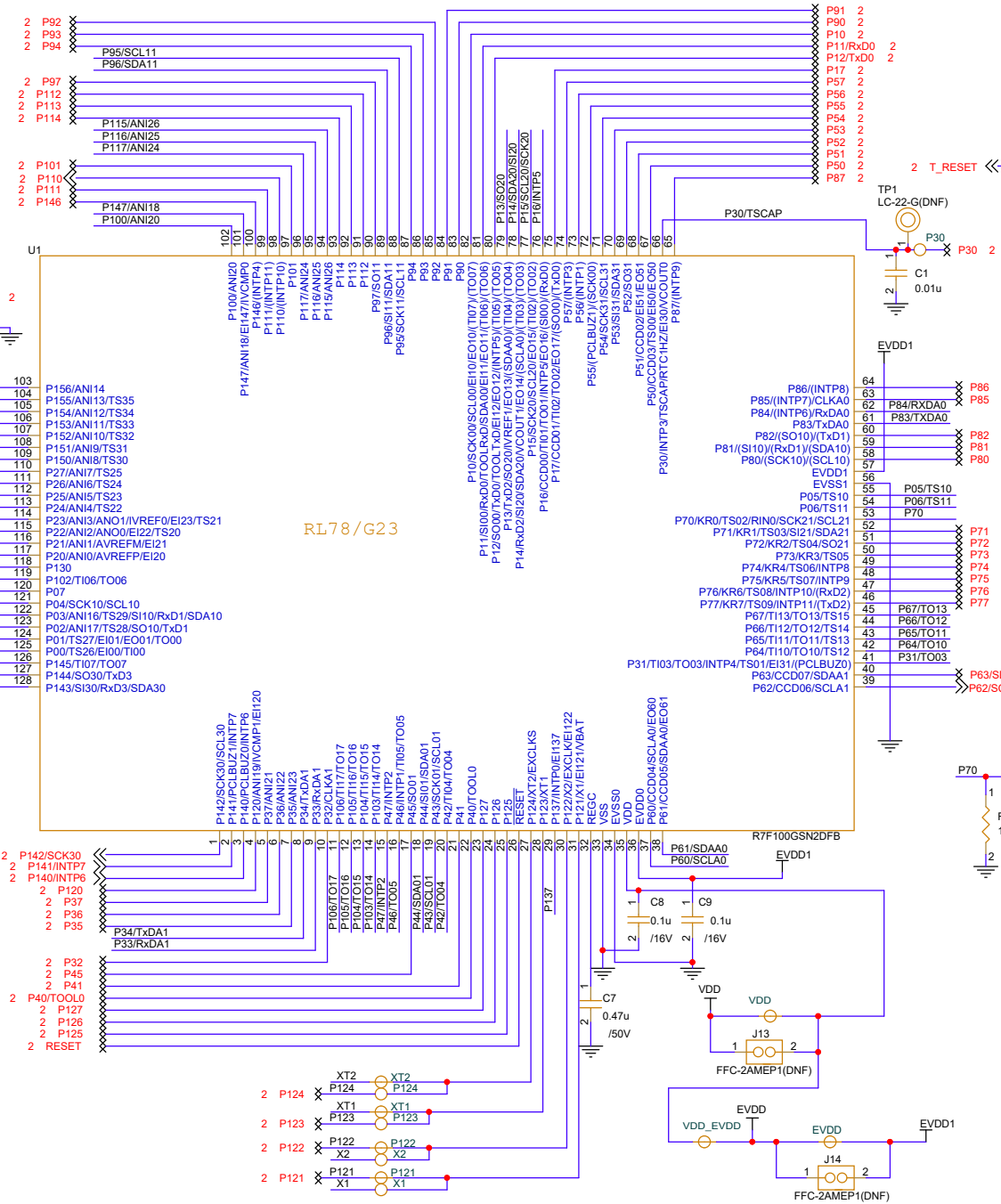
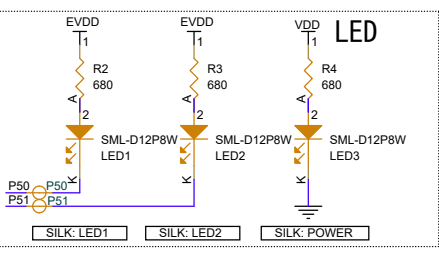
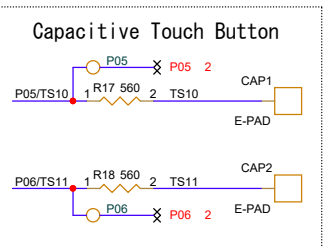
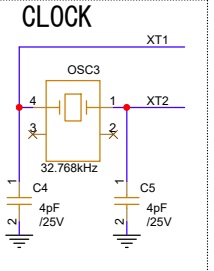
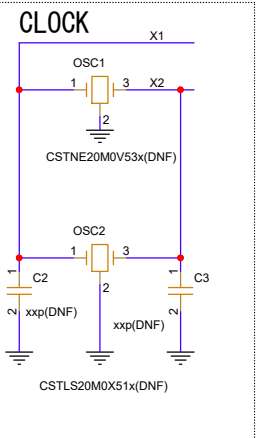
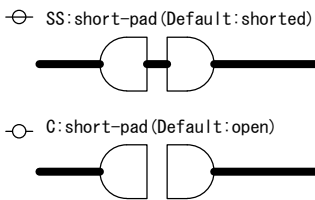
<<Revision History>>

Rev.1.00: New

Rev.1.01: Correction of Errors

- U1 Pin 98 : P110/(INTP11) -> P110/(INTP10)

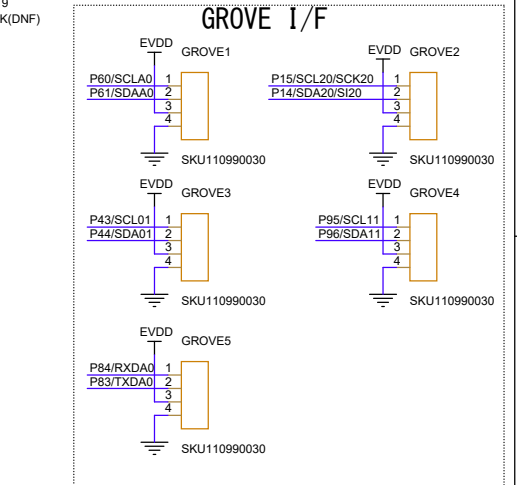
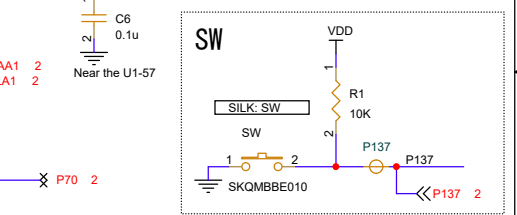
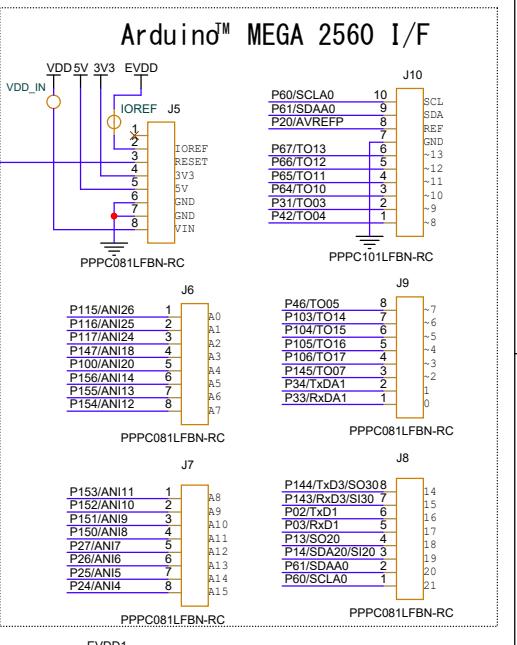
- U1 Pin 100 : P146/(INTP14) -> P146/(INTP4)



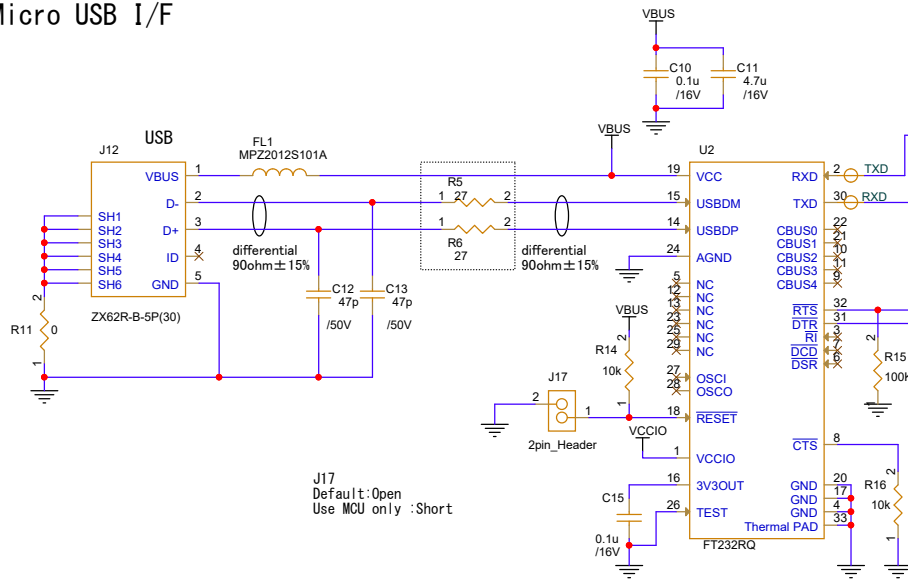
RL78/G23

Shielded the line by GND
 OSC1, OSC2, X1, X2, XT1, XT2, RESET, T_RESET

Thicken the power line
 VDD, EVDD, EVDD1, REGC, 5V, VBUS, 3V3, Pmod1_VCC, Pmod2_VCC

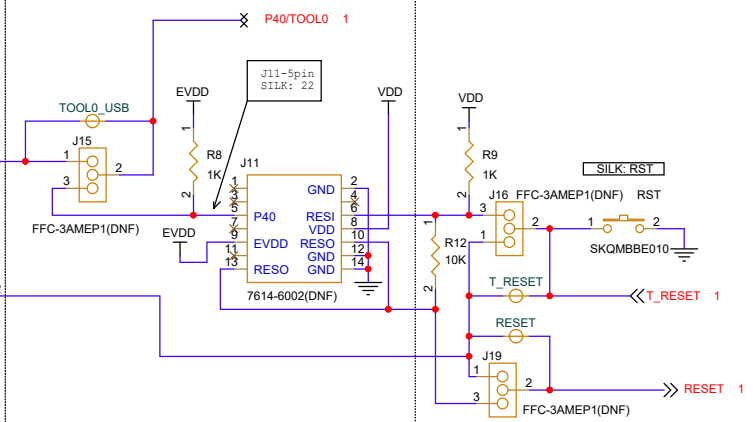


Micro USB I/F



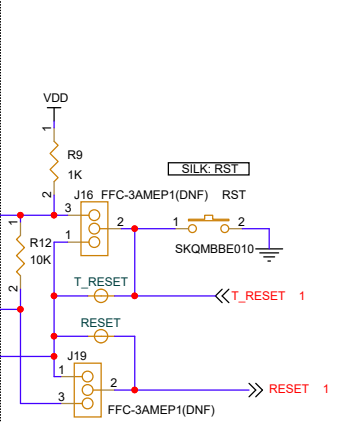
J17
Default: Open
Use MCU only : Short

E2 Emulator I/F

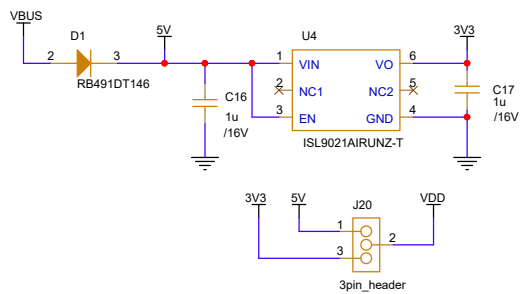


J15, J16, J19
Default: 1-2 short

RESET

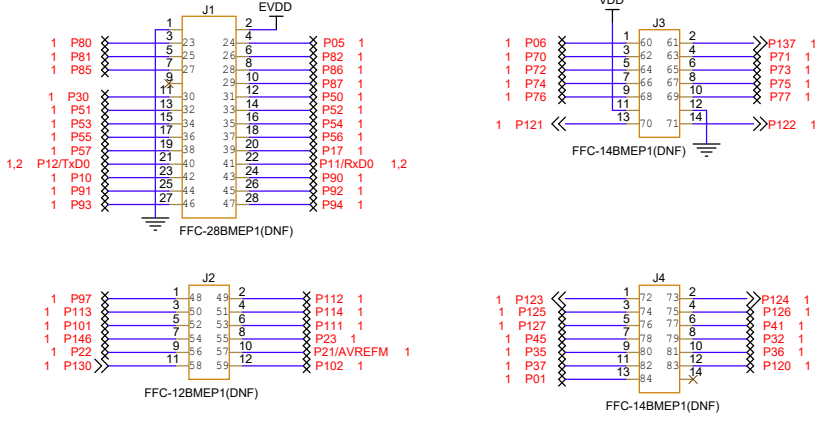


LDO



VCCIO
Default: Short
Not connect USB: Open

MCU header I/F



Pmod™ I/F

