

RL78/G16 Fast Prototyping Board Schematic

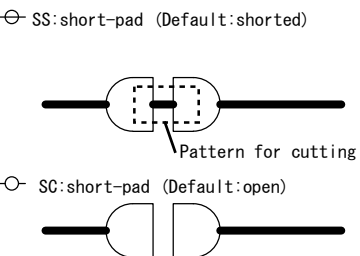
Product No : RTK5RLG160C00000BJ

Document Number : R12TU0180EJ Rev : 1.00

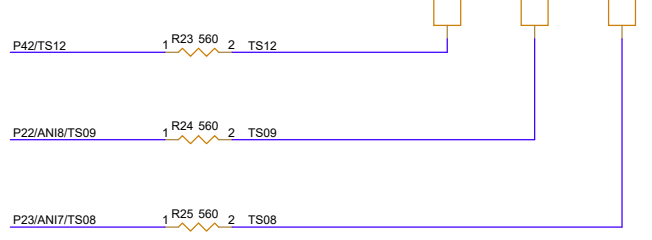
Page1 : CPU, GROVE I/F, CLOCK, SW, LED, Arduino UNO R3 I/F, MCU Header I/F,
Capacitive touch button, Capacitive touch Slider

Page2 : USB Type-C I/F, E2 Emulator I/F, RESET, Pmod I/F, POWER

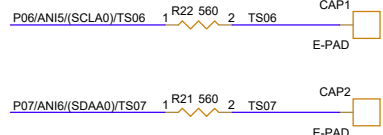
*(DNF) : Do not fit (Unmount)



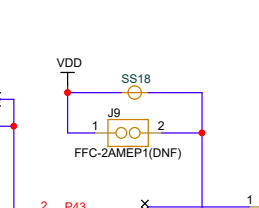
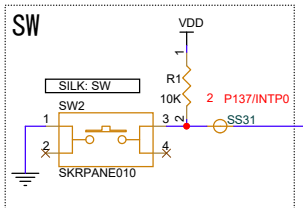
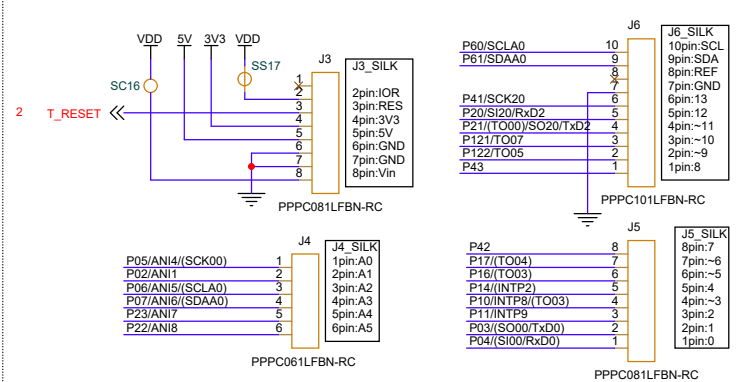
Capacitive Touch Slider



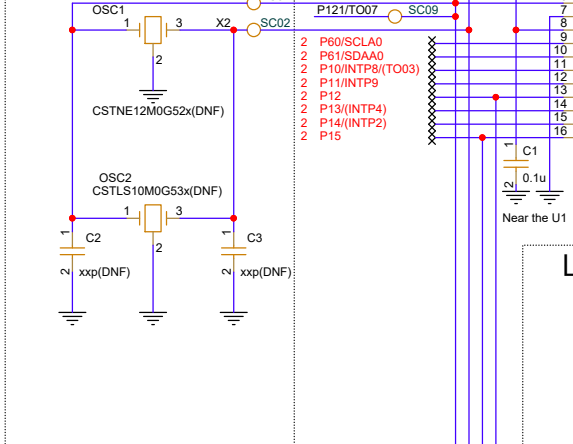
Capacitive Touch Button



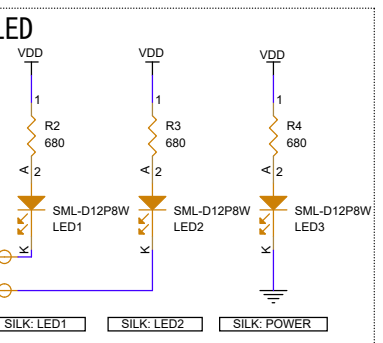
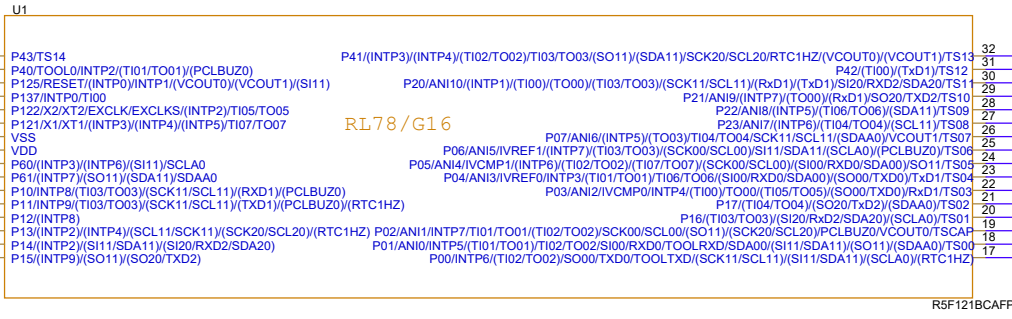
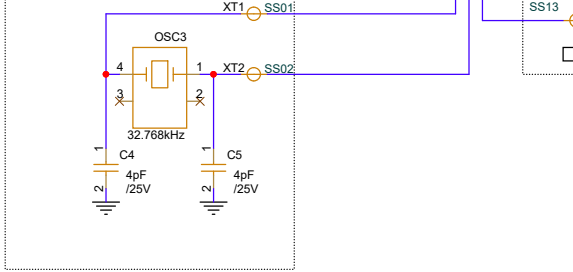
Arduino UNO R3 I/F



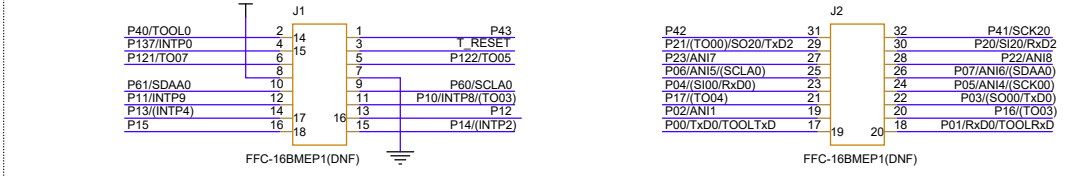
Main CLOCK



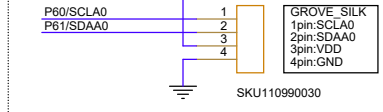
Sub CLOCK



MCU header I/F

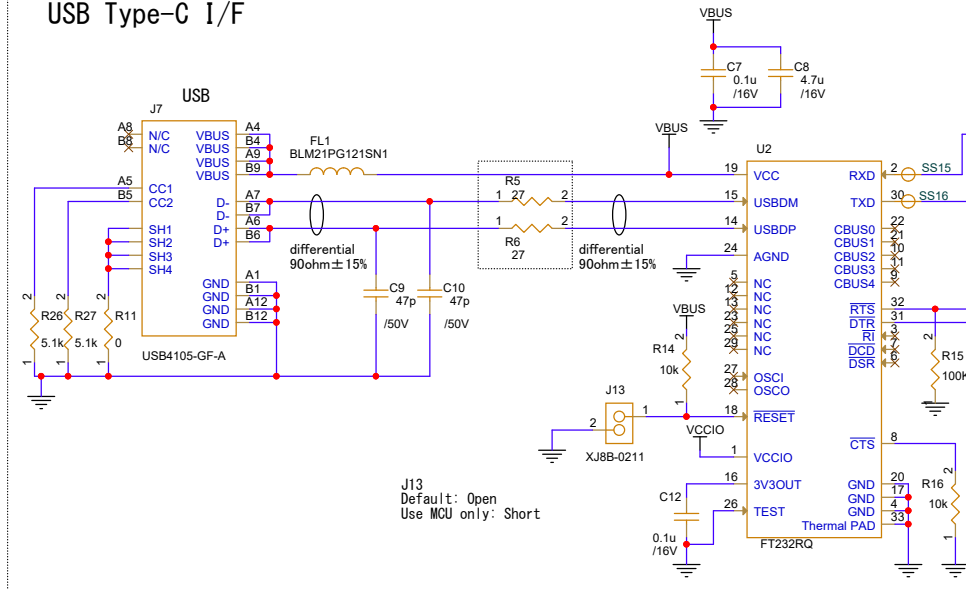


GROVE I/F



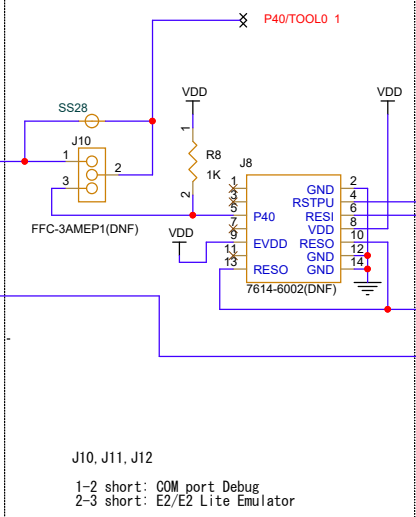
| | | |
|--|---------------------|--------------|
| RENESAS Renesas Electronics Corporation | | |
| Title | RTK5RSLG160C00000BJ | |
| Size | Document Number | Rev |
| A3 | R12TU0180EJ | 1.00 |
| Date: | May 1, 2023 | Sheet 1 of 2 |

USB Type-C I/F



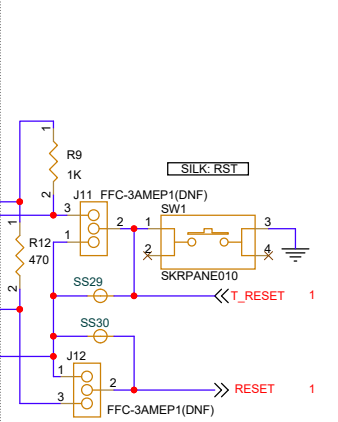
J13
Default: Open
Use MCU only: Short

E2 Emulator I/F

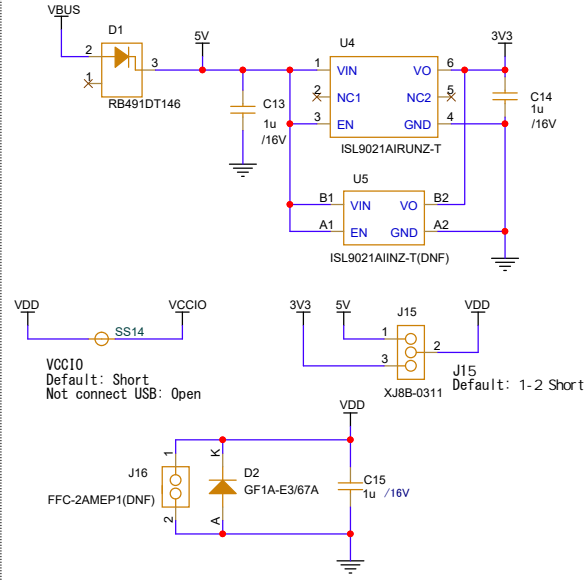


J10, J11, J12
1-2 short: COM port Debug
2-3 short: E2/E2 Lite Emulator

RESET



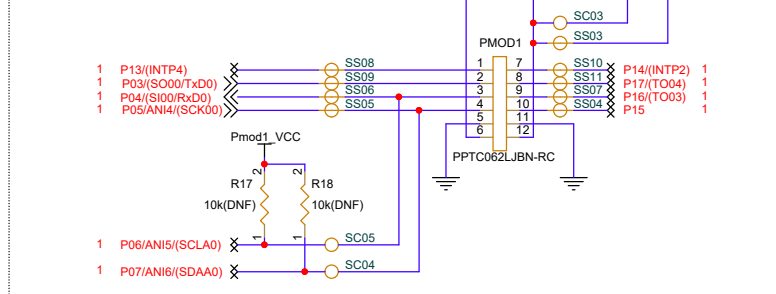
POWER



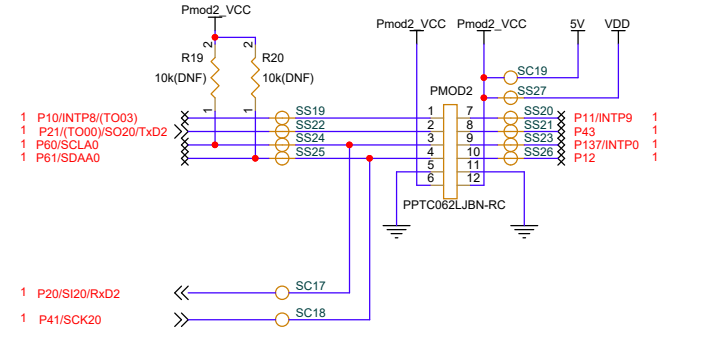
VCC10
Default: Short
Not connect USB: Open

J15
Default: 1-2 Short

Pmod I/F



- 1 P13/(INTP4)
- 1 P03/(SO0/TxD0)
- 1 P04/(SI00/RxD0)
- 1 P05/ANI4/(SCK00)
- 1 P14/(INTP2)
- 1 P17/(TO04)
- 1 P16/(TO03)
- 1 P15
- 1 P06/ANI5/(SCLA0)
- 1 P07/ANI6/(SDAA0)



- 1 P10/INTP8/(TO03)
- 1 P21/(TO00)/SO20/TxD2
- 1 P60/SCLA0
- 1 P61/SDAA0
- 1 P11/INTP9
- 1 P43
- 1 P137/INTP0
- 1 P12
- 1 P20/SI20/RxD2
- 1 P41/SCK20