

Low Voltage Inverter Board for Motor Control Evaluation Board - LVI400
(RTKOEMGPLVB00000BJ)
Schematics

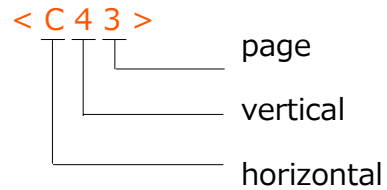
- 01 : Conten
- 02 : Inverter
- 03 : Connector
- 04 : History

Supplementary explanation :

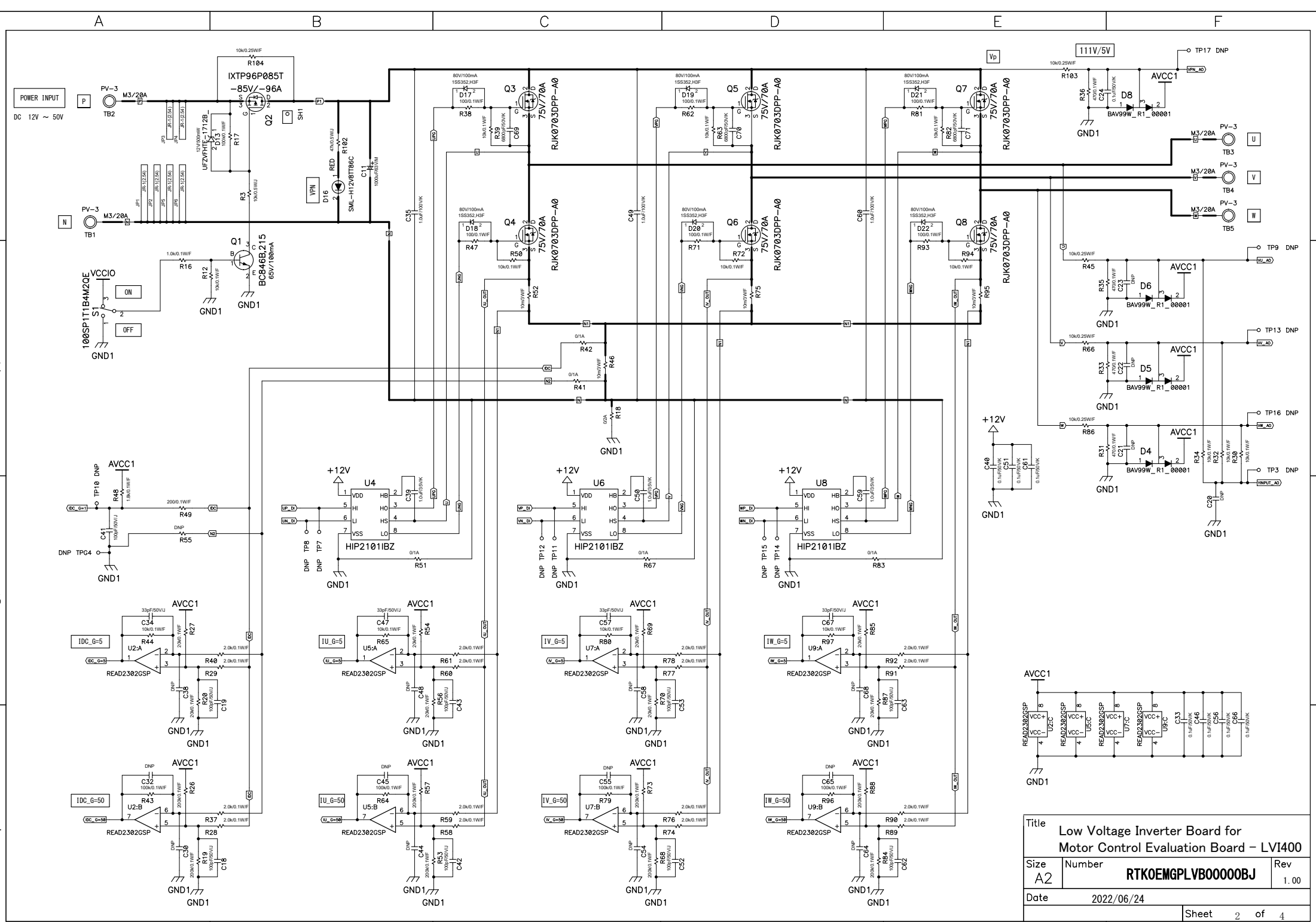
DNP: unmounted part

Access point: <horizontal, vertical page>

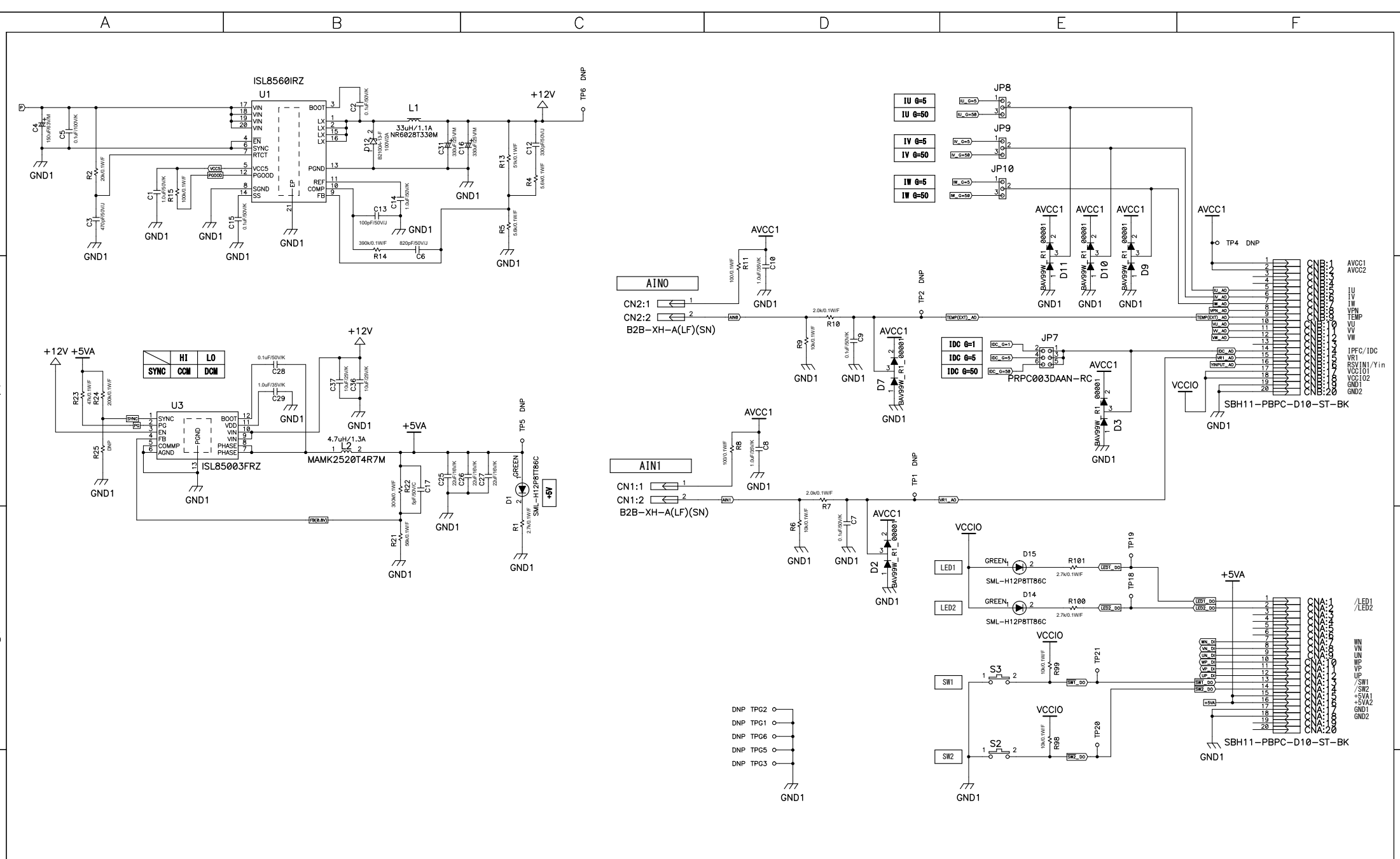
Ex.



Title			Low Voltage Inverter Board for Motor Control Evaluation Board - LVI400
Size	Number	Rev	
A2	RTKOEMGPLVB00000BJ	1.00	
Date	2022/06/24		
Sheet			1 of 4



Title			Low Voltage Inverter Board for Motor Control Evaluation Board - LVI400		
Size	Number	Rev		1.00	
A2	RTKOEINGPLVB00000BJ				
Date	2022/06/24				
Sheet			2 of 4		



Title			Low Voltage Inverter Board for Motor Control Evaluation Board - LVI400		
Size	Number	Rev			
A2	RTKOEINGPLVB0000BJ	1.00			
Date			2022/06/24		
			Sheet 3 of 4		

A

B

C

D

E

F

History

Rev.	Date	Page	Summary
1.0	2022/6/24	—	First edition

1

1

2

2

3

3

4

4

Title			Low Voltage Inverter Board for Motor Control Evaluation Board – LVI400
Size	Number	Rev	
A2	RTKOENGPLVB00000BJ	1.00	
Date		2022/06/24	
			Sheet 4 of 4

A

B

C

D

E

F