
RZ/G3S Evaluation Board Kit

This document provides quick-start instructions for how to bring up an RZ/G3S Evaluation Board Kit (EVK), and how to boot Linux by using RZ/G3S Verified Linux Package (VLP) Pre-built image.

Important: To ensure the RZ/G3S EVK is set up correctly, complete the steps in the order listed in “Quick Start Procedure”.

Contents

1. EVK Information	2
1.1 How to Get the EVK	2
1.2 EVK Contents	2
2. Quick Start Procedure	3
2.1 Run the “Pre-built Image”	3
2.1.1. Prepare the microSD Card.....	3
2.1.2. Write the Bootloader and U-boot	4
2.1.2.1. Prepare the Hardware.....	5
2.1.2.2. Prepare to Write	6
2.1.2.3. Boot the Flash Writer	8
2.1.2.4. Write the Bootloader	9
2.1.3. Start Up Linux	11
2.2 Build the Linux Environment.....	12
3. Revision History	12

1. EVK Information

1.1 How to Get the EVK

To obtain the RZ/G3S EVK, go to the RZ/G3S EVK [RTK9845S33S01000BE](#) product page and click on Buy/Quote under Product Options ([Buy Direct](#)).

1.2 EVK Contents

The RZ/G3S EVK is the most suitable board kit for RZ/G3S evaluation. RZ/G3S EVK consists of Module Board and Common carrier board.

The RZ/G3S EVK conforms to the SMARC v2.1 standard, and is comprised of the following:

- RZ/G3S Module Board (SMARC2.1)
- RZ SMARC Series Carrier Boards
- RZ SMARC Series JTAG adaptor cable
- USB Type-A to USB Micro B cable for serial debug
- Accessories: Screw and spacer



Figure 1. RZ/G3S Evaluation Kit

The following items must be purchased separately by customers:

- USB type C charger 65W
 - Support USB PD
 - Output specification : 5V3A,9V3A,15V3A,20V3.25A
- USB type C to type C cable
 - USB-C and USB-C 3.1 Gen2 USB-PD support 100W
- micro SD UHI-Class10 (8GB or more)

In addition, please prepare Windows PC (Windows 10 or Windows 11) for your host PC to program the root loader files to EVK.

2. Quick Start Procedure

Complete the following quick-start steps in the order listed.

2.1 Run the “Pre-built Image

After getting the RZ/G3S EVK, download the RZ/G3S VLP Pre-Built Image and try running it. Please download the RZ/G2L_VLPx.x.x_Pre-built_Images_EN.zip from below link and decompress the file on your PC. Please read the file version “x.x.x” as the version you use.

[RZ/G Verified Linux Package \[5.10-CIP\] | Renesas](#)

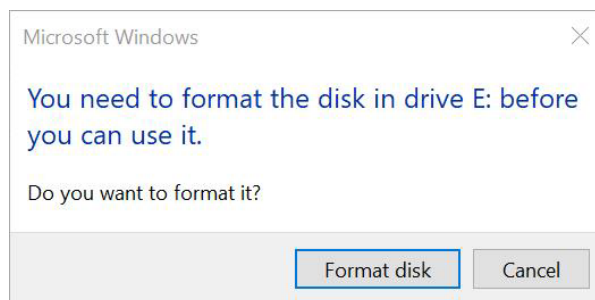
2.1.1. Prepare the microSD Card

Write the “Images_RZG3S_vx.x.x.zip” included in “RZG3S_VLPx.x.x_Pre-built_Images.zip” to your microSD card.

Case 1: Use Windows PC

1. Copy the “Images_RZG3S_vx.x.x.zip” to a Windows PC and unzip it.
2. Write the microSD card image (core-image-bsp-smarc-rzg3s.wic.gz) to the SD card which has a 2GB or more capacity by using any tool like as below:
 - Win32 Disk Imager ([Win32 Disk Imager download | SourceForge.net](#)), or
 - balenaEtcher ([balenaEtcher - Flash OS images to SD cards & USB drives](#)).

Note: If the following message is shown after inserting the microSD card in the Window PC, or after writing the image to the microSD card, please select “Cancel”.



Case 2: Use Linux Host PC

If you would like to program the image to your microSD card by Linux Host PC, see following steps.

Prepare the microSD card by entering the following commands on your Linux PC.

1. Unzip the Images_RZG3S_vx.x.x.zip file to get the “core-image-bsp-smarc-rzg3s.wic.gz” and “core-image-bsp-smarc-rzg3s.wic.bmap”.
2. Check the microSD Card Device Name: enter the **lsblk** command before and after inserting your microSD card.

Note: Be careful not to use other device names (**sdb** is used in this document).

<before inserting microSD card>

```
$ lsblk
NAME MAJ:MIN RM SIZE RO TYPE MOUNTPOINT
sda 8:0 0 30.9G 0 disk
├─sda1 8:1 0 512M 0 part /boot/efi
├─sda2 8:2 0 1K 0 part
└─sda5 8:5 0 30.3G 0 part /
sr0 11:0 1 1024M 0 rom
```

then...

<after inserting microSD card>

```
$ lsblk
NAME MAJ:MIN RM SIZE RO TYPE MOUNTPOINT
sda 8:0 0 30.9G 0 disk
├─sda1 8:1 0 512M 0 part /boot/efi
├─sda2 8:2 0 1K 0 part
└─sda5 8:5 0 30.3G 0 part /
sdb 8:16 1 29.7G 0 disk
└─sdb1 8:17 1 29.7G 0 part
sr0 11:0 1 1024M 0 rom
```

3. Unmount the SD card partitions mounted automatically.
/dev/sdb is an example and the actual partitions path depend on your environment.

```
$ sudo umount /dev/sdb
```

4. Using the Device name found above, write the image file into the microSD card by the following commands. Put core-image-bsp-smarc-rzg3s.wic.gz and core-image-bsp-smarc-rzg3s.wic.bmap on the same working directory.

```
$ sudo apt-get install bmap-tools
$ sudo bmaptool copy core-image-bsp-smarc-rzg3s.wic.gz /dev/sdb
```

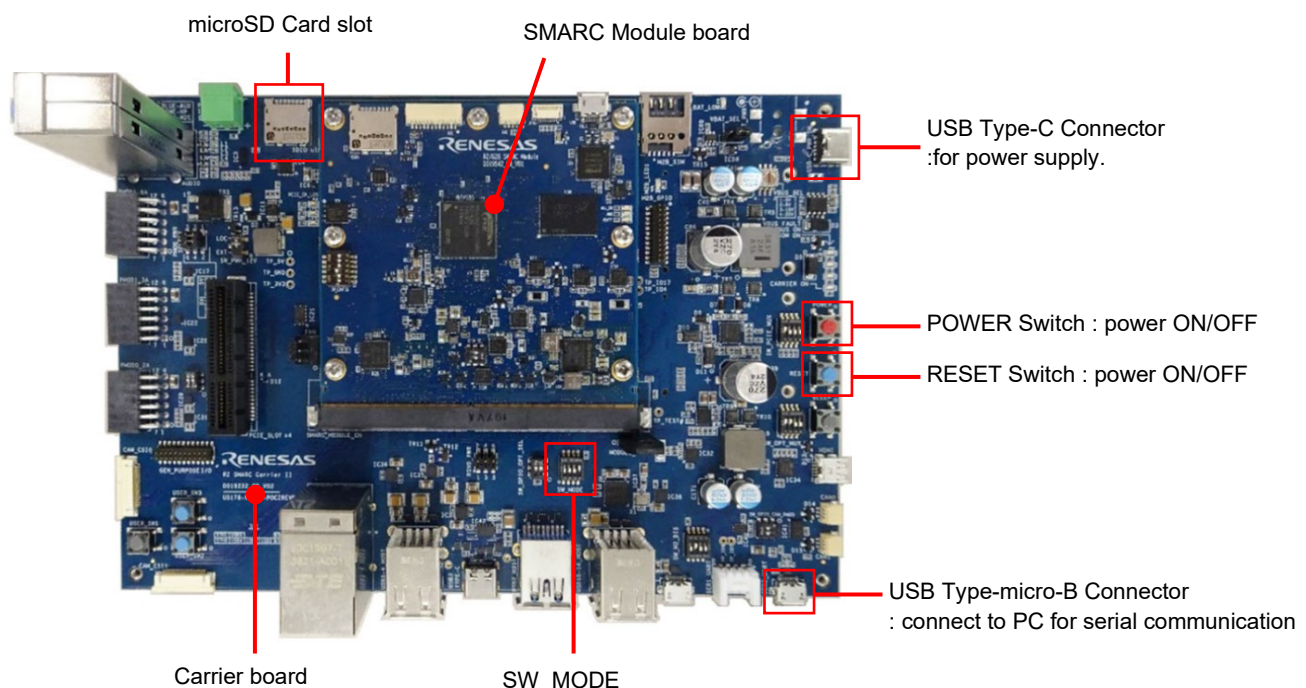
5. After that, remove and insert the microSD card again to confirm that the image file has been written to the microSD card normally.

2.1.2. Write the Bootloader and U-boot

Copy FlashWriter-smarc-rzg3s.mot, bl2_bp_spi-smarc-rzg3s.srec and fip-smarc-rzg3s.srec included in the first partition "boot" of SD card prepared by Step2-1 to your PC.

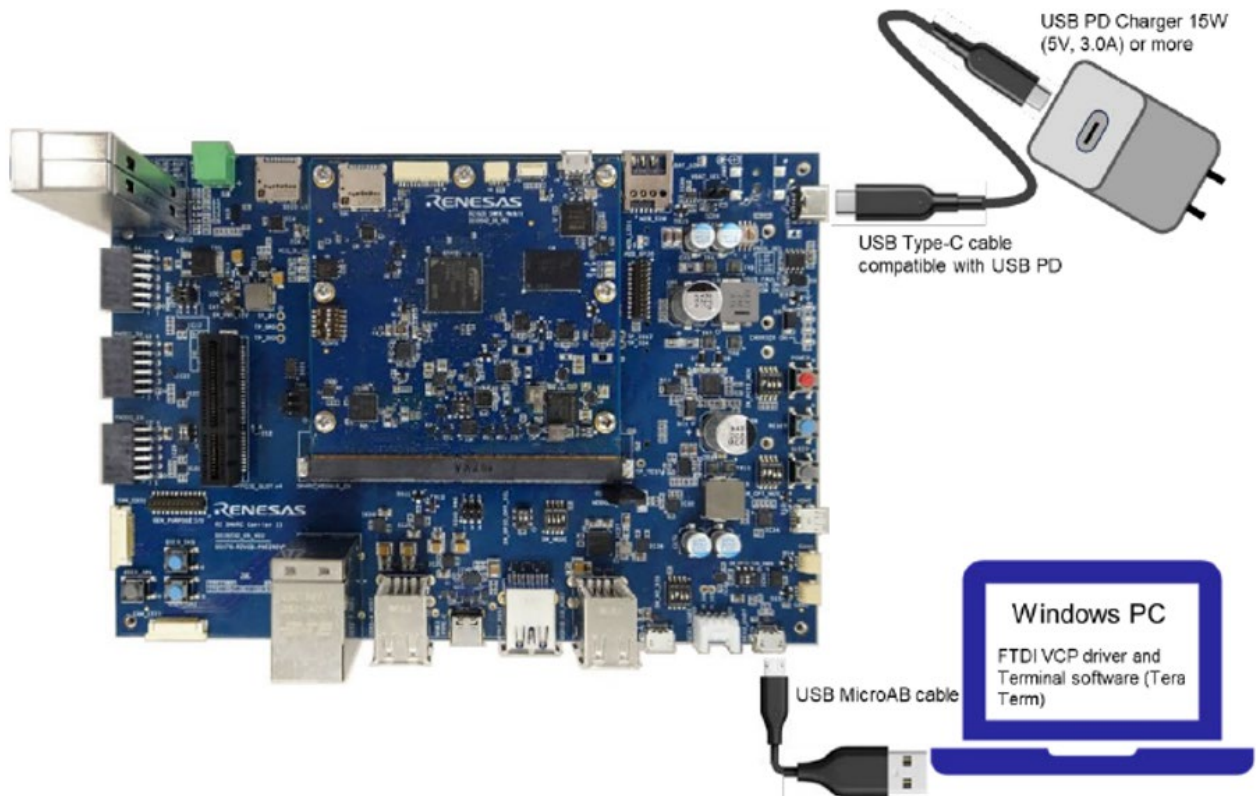
Main specification of the EVK

The components of the RZ/G3S EVK that are used in this step are as follows.



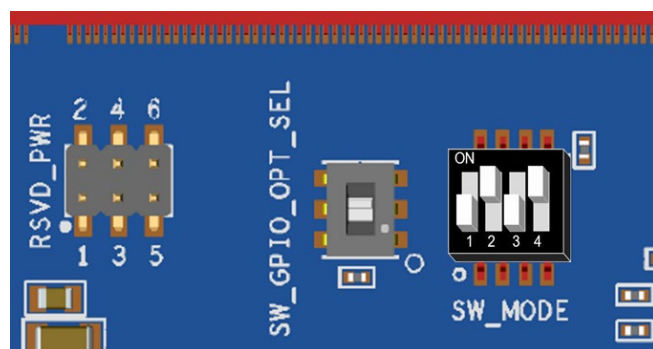
2.1.2.1. Prepare the Hardware

1. Attach the PD capable USB Type-C cable to the USB Type-C port (“USB-C_PWR_IN”). Then, you can see LEDs (“VBUS_PWR_ON” and “SOM_PWR_ON”) are illuminated.



2. Set the board to SCIF Download mode to write to the serial flash memory on the EVK board. Please set the SW_MODE as below.

SW_MODE (SCIF Download mode)

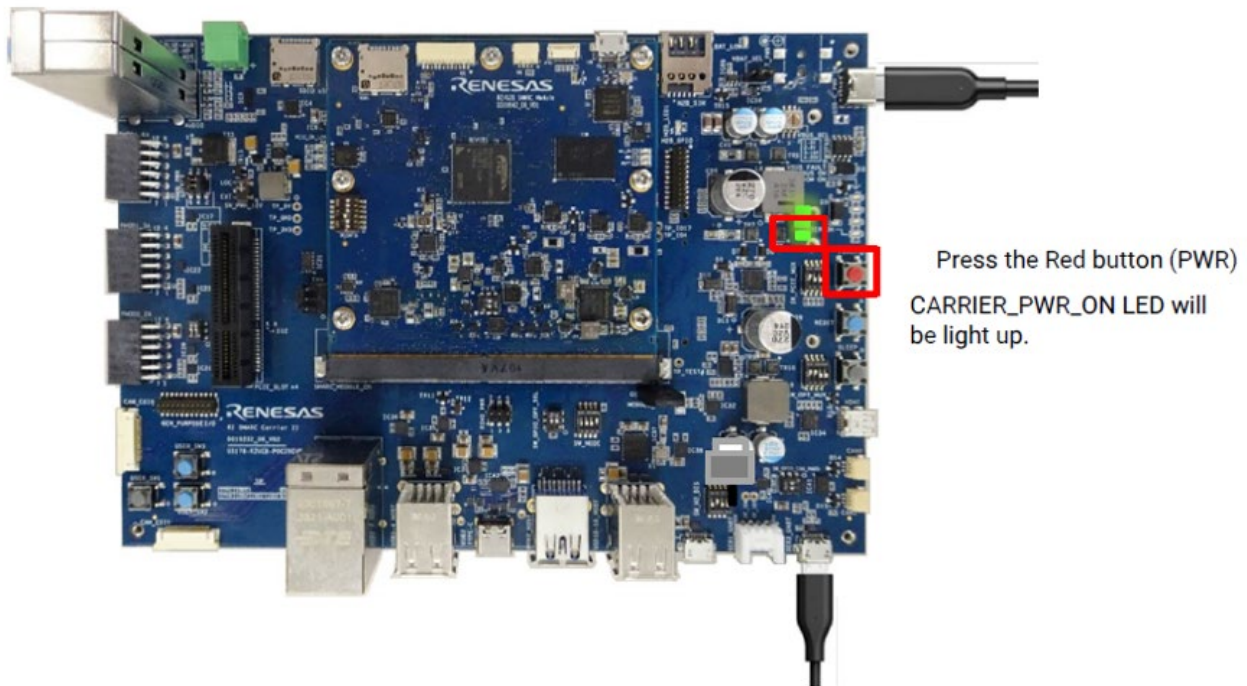


SW_MODE

1	2	3	4
OFF	ON	OFF	ON

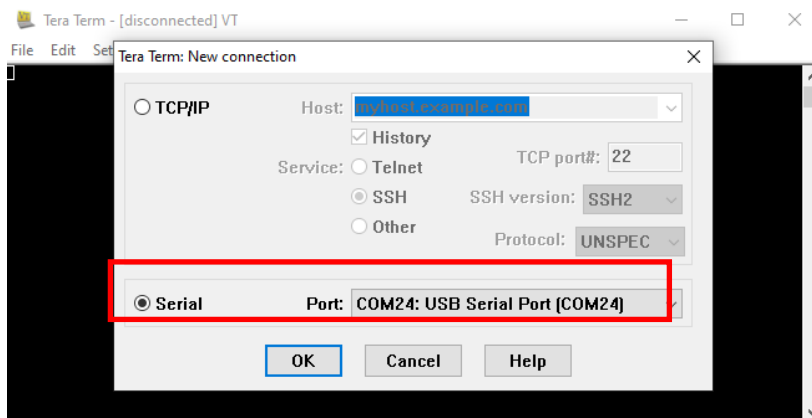
3. Press the red button (POWER) for 2 seconds to turn on the power. Then the LED(CARRIER_PER_BUTTON) is illuminated additionally.

When turn off the power, press and hold the red button for 2 seconds. Then, check that LED(CARRIER_PER_BUTTON) is turned off.

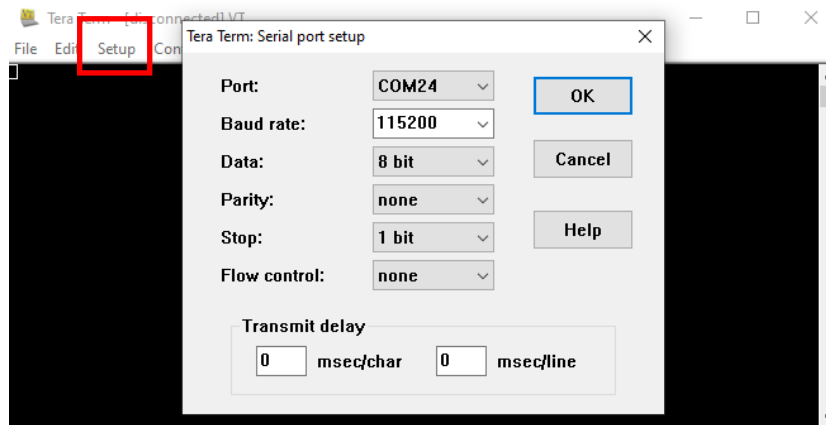


2.1.2.2. Prepare to Serial Communication

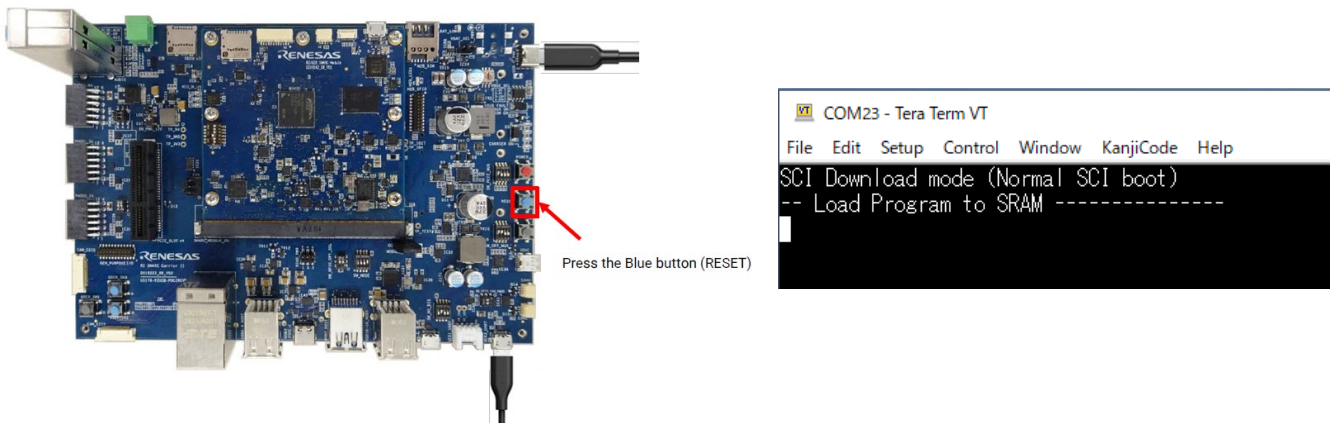
1. Bring up the terminal software on your PC. Please get the Tera Term (latest version) from the link below. Available at : [Releases TeraTermProject/teraterm \(github.com\)](https://github.com/teraterm/teraterm/releases).
2. Select "Serial" as shown in the following picture. "Port:" is "COM24: USB Serial Port (COM24)".



3. Select “Setup” > “Serial port” to set the settings about serial communication protocol on the software. Set each setting as below:
 - Baud rate :115200
 - Data :8 bit
 - Parity :none
 - Stop :1 bit
 - Flow control :none

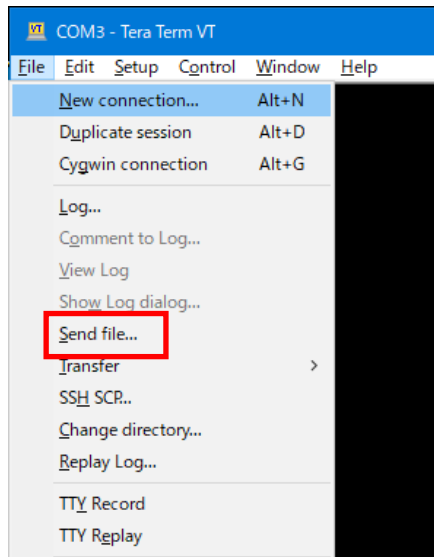
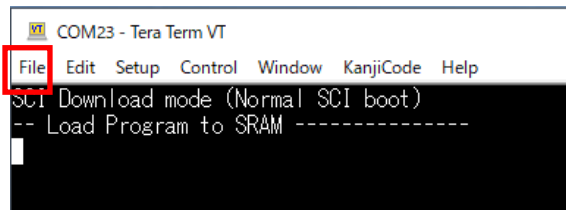


4. After serial port setting, press the blue button (RESET). Check the message below is displayed on the console.



2.1.2.3. Sending the Flash Writer

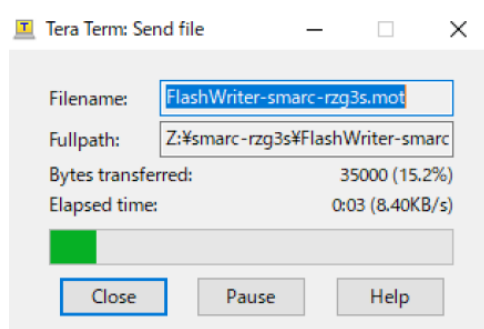
1. Send an image of Flash Writer using terminal software after the message “please send !” is shown. Select the “File” > “Send file” menu.



2. Select “FlashWriter-smarc-rzg3s.mot”, and then click “Open” button. The image will be sent to the board via serial connection.

After successfully downloading the binary, Flash Writer starts automatically and shows a message like below on the terminal.

(a) During download



(b) After a successful download

```
Flash writer for RZ/G3S Series
Product Code : RZ/G3S
>
```


2.1.2.4. Write the Bootloader

1. Before writing the loader files, change the Flash Writer transfer rate from default (115200bps) to high speed (921600bps) with “SUP” command of Flash Writer.

```
>SUP
Scif speed UP
Please change to 921.6Kbps baud rate setting of the terminal.
```

After “SUP” command, change the serial communication protocol speed from 115200bps to 921600bps as well by following the steps described in 2.1.2.2 step3, and push the enter key.

2. Next, two boot loader files need to be written to the target board.

Enter the following bolded commands. Send “bl2_bp_spi-smarc-rzg3s.srec” by the terminal software as same manner in 2-2-3 after the message “please send !” is shown.

```
>XLS2
===== Qspi writing of RZ/G3 Board Command =====
Load Program to Spiflash
Writes to any of SPI address.
Program size & Qspi Save Address
===== Please Input Program Top Address =====
Please Input : H'a1e00
===== Please Input
Qspi Save Address ===
Please Input : H'0
please send ! ( '.' & CR stop load)
```

If you get the following message, press “y”.

```
SPI Data Clear(H'FF) Check : H'00000000-0000FFFF,Clear OK?(y/n)
```

After successfully write the binary, the message like below is shown on the console.
(The address may be different depending on the version of the boot loader used.)

```
Erase SPI Flash memory...
Erase Completed
Write to SPI Flash memory.
===== Qspi Save Information =====
SpiFlashMemory
Stat Address : H'00000000
SpiFlashMemory
End Address : H'0001BCCF
=====
```

3. Next, write another loader file by using bolded commands again.

Send `fip-smarc-rzg3s.srec` by the terminal software as same manner in 2-2-4 1. after the message “please send !” is shown.

```
>XLS2
==== Qspi writing of RZ/G3 Board Command =====
Load Program to Spiflash
Writes to any of SPI address.
Program size & Qspi Save Address
==== Please Input Program Top Address =====
Please Input : H'0
==== Please Input Qspi Save Address ===
Please Input : H'64000
please send ! ( '.' & CR stop load)
```

If you get the following message, press “y”.

```
SPI Data Clear(H'FF) Check : H'00000000-0000FFFF,Clear OK?(y/n)
```

After successfully write the binary, the message like below is shown on the console.
(The address may be different depending on the version of the boot loader used.)

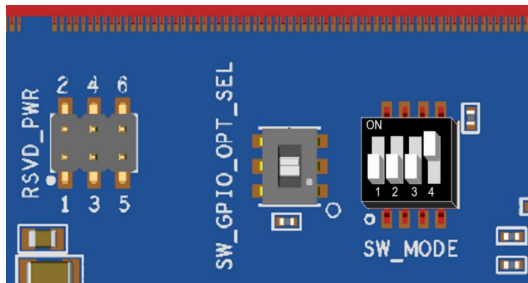
```
Erase SPI Flash memory...
Erase Completed
Write to SPI Flash memory.
==== Qspi Save Information =====
SpiFlashMemory Stat Address : H'00064000
SpiFlashMemory End Address : H'0014782E
=====
```

4. After writing two loader files normally, change the serial communication protocol speed from 921600 bps to 115200 bps by following the steps described in 2.1.2.2 step3, and push the enter key again.
At last, turn off the power of the board by pressing the red button (POWER).

2.1.3. Start Up Linux on the EVK

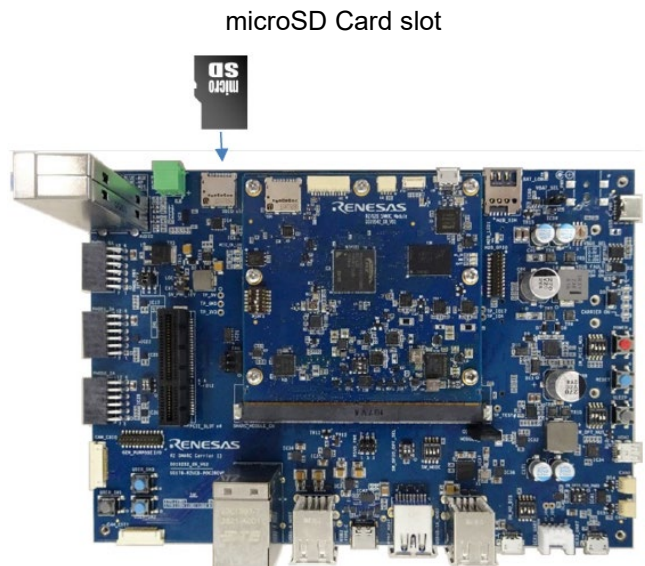
1. Set the board to SPI Boot mode to start the Bootloader.

Please change the SW_MODE as below (SW_MODE[2] ON→OFF). Insert your microSD card to the slot (CN10) on the carry board.



SW_MODE

1	2	3	4
OFF	OFF	OFF	ON



2. Turn on the power of the board by pressing the power red button. The settings of Terminal in this process are the same as in 2-2-2.

Press the blue button to reset and after “Hit any key to stop autoboot:” appears, press the enter key on the PC within 3 seconds.

```
U-Boot 2021.10 (Oct 25 2023 - 08:58:16 +0000)
CPU: Renesas Electronics K rev 11.2
Model: smarc-rzg3s
DRAM: 896 MiB
MMC: sd@11c00000: 0, sd@11c10000: 1, sd@11c20000: 2
Loading Environment from MMC... OK
In: serial@1004b800
Out: serial@1004b800
Err: serial@1004b800
Net:
Error: ethernet@11c30000 address not set.
No ethernet found.
Hit any key to stop autoboot: 0
=>
```

To set the environment variables, enter the bolded commands below.

```
=> setenv sd_boot1 'mmc dev 1 ; ext4load mmc 1:2 0x48080000 /boot/Image ; ext4load
mmc 1:2 0x48000000 /boot/r9a08g045s33-smarc.dtb'
=> setenv sd_boot2 'setenv bootargs 'root=/dev/mmcblk1p2 rootwait' ; booti
0x48080000 - 0x48000000'
=> setenv bootcmd 'run sd_boot1 sd_boot2'
=> saveenv
```

3. Please turn off and on the power pressing red button again to boot up the board. When “smarc-rzg3s login:” is displayed, enter “root” to login. (No password required).

```
Version: x.x.x
smarc-rzg3s login: root
root@smarc-rzg3s:~#
```

2.2 Build the Linux Environment

Section 2.1 describes how to startup the RZ/G3S by using RZ/G3S VLP Pre-built image. If you would like to configure your Linux environment from the VLP build stage, please download the latest RZ/G Verified Linux Package from the below link and build it by the Linux Start-up Guide included in the VLP.

[RZ/G Verified Linux Package \[5.10-CIP\] | Renesas](#)

3. Revision History

Revision	Date	Description
1.00	Mar 7, 2024	Initial release.
1.01	Apr 24, 2024	Update for RZ/G VLP V3.0.6
1.02	May 15, 2024	Update the description in 2.1.1 and 2.1.2.4.
1.03	Jul 31, 2024	Modify the command of environment variables
1.04	Dec 2, 2024	Modifying typo
1.05	Apr 30 2025	Update the new RZ/G VLP

Notice

1. Descriptions of circuits, software and other related information in this document are provided only to illustrate the operation of semiconductor products and application examples. You are fully responsible for the incorporation or any other use of the circuits, software, and information in the design of your product or system. Renesas Electronics disclaims any and all liability for any losses and damages incurred by you or third parties arising from the use of these circuits, software, or information.
2. Renesas Electronics hereby expressly disclaims any warranties against and liability for infringement or any other claims involving patents, copyrights, or other intellectual property rights of third parties, by or arising from the use of Renesas Electronics products or technical information described in this document, including but not limited to, the product data, drawings, charts, programs, algorithms, and application examples.
3. No license, express, implied or otherwise, is granted hereby under any patents, copyrights or other intellectual property rights of Renesas Electronics or others.
4. You shall be responsible for determining what licenses are required from any third parties, and obtaining such licenses for the lawful import, export, manufacture, sales, utilization, distribution or other disposal of any products incorporating Renesas Electronics products, if required.
5. You shall not alter, modify, copy, or reverse engineer any Renesas Electronics product, whether in whole or in part. Renesas Electronics disclaims any and all liability for any losses or damages incurred by you or third parties arising from such alteration, modification, copying or reverse engineering.
6. Renesas Electronics products are classified according to the following two quality grades: "Standard" and "High Quality". The intended applications for each Renesas Electronics product depends on the product's quality grade, as indicated below.

"Standard": Computers; office equipment; communications equipment; test and measurement equipment; audio and visual equipment; home electronic appliances; machine tools; personal electronic equipment; industrial robots; etc.

"High Quality": Transportation equipment (automobiles, trains, ships, etc.); traffic control (traffic lights); large-scale communication equipment; key financial terminal systems; safety control equipment; etc.

Unless expressly designated as a high reliability product or a product for harsh environments in a Renesas Electronics data sheet or other Renesas Electronics document, Renesas Electronics products are not intended or authorized for use in products or systems that may pose a direct threat to human life or bodily injury (artificial life support devices or systems; surgical implantations; etc.), or may cause serious property damage (space system; undersea repeaters; nuclear power control systems; aircraft control systems; key plant systems; military equipment; etc.). Renesas Electronics disclaims any and all liability for any damages or losses incurred by you or any third parties arising from the use of any Renesas Electronics product that is inconsistent with any Renesas Electronics data sheet, user's manual or other Renesas Electronics document.
7. No semiconductor product is absolutely secure. Notwithstanding any security measures or features that may be implemented in Renesas Electronics hardware or software products, Renesas Electronics shall have absolutely no liability arising out of any vulnerability or security breach, including but not limited to any unauthorized access to or use of a Renesas Electronics product or a system that uses a Renesas Electronics product. RENESAS ELECTRONICS DOES NOT WARRANT OR GUARANTEE THAT RENESAS ELECTRONICS PRODUCTS, OR ANY SYSTEMS CREATED USING RENESAS ELECTRONICS PRODUCTS WILL BE INVULNERABLE OR FREE FROM CORRUPTION, ATTACK, VIRUSES, INTERFERENCE, HACKING, DATA LOSS OR THEFT, OR OTHER SECURITY INTRUSION ("Vulnerability Issues"). RENESAS ELECTRONICS DISCLAIMS ANY AND ALL RESPONSIBILITY OR LIABILITY ARISING FROM OR RELATED TO ANY VULNERABILITY ISSUES. FURTHERMORE, TO THE EXTENT PERMITTED BY APPLICABLE LAW, RENESAS ELECTRONICS DISCLAIMS ANY AND ALL WARRANTIES, EXPRESS OR IMPLIED, WITH RESPECT TO THIS DOCUMENT AND ANY RELATED OR ACCOMPANYING SOFTWARE OR HARDWARE, INCLUDING BUT NOT LIMITED TO THE IMPLIED WARRANTIES OF MERCHANTABILITY, OR FITNESS FOR A PARTICULAR PURPOSE.
8. When using Renesas Electronics products, refer to the latest product information (data sheets, user's manuals, application notes, "General Notes for Handling and Using Semiconductor Devices" in the reliability handbook, etc.), and ensure that usage conditions are within the ranges specified by Renesas Electronics with respect to maximum ratings, operating power supply voltage range, heat dissipation characteristics, installation, etc. Renesas Electronics disclaims any and all liability for any malfunctions, failure or accident arising out of the use of Renesas Electronics products outside of such specified ranges.
9. Although Renesas Electronics endeavors to improve the quality and reliability of Renesas Electronics products, semiconductor products have specific characteristics, such as the occurrence of failure at a certain rate and malfunctions under certain use conditions. Unless designated as a high reliability product or a product for harsh environments in a Renesas Electronics data sheet or other Renesas Electronics document, Renesas Electronics products are not subject to radiation resistance design. You are responsible for implementing safety measures to guard against the possibility of bodily injury, injury or damage caused by fire, and/or danger to the public in the event of a failure or malfunction of Renesas Electronics products, such as safety design for hardware and software, including but not limited to redundancy, fire control and malfunction prevention, appropriate treatment for aging degradation or any other appropriate measures. Because the evaluation of microcomputer software alone is very difficult and impractical, you are responsible for evaluating the safety of the final products or systems manufactured by you.
10. Please contact a Renesas Electronics sales office for details as to environmental matters such as the environmental compatibility of each Renesas Electronics product. You are responsible for carefully and sufficiently investigating applicable laws and regulations that regulate the inclusion or use of controlled substances, including without limitation, the EU RoHS Directive, and using Renesas Electronics products in compliance with all these applicable laws and regulations. Renesas Electronics disclaims any and all liability for damages or losses occurring as a result of your noncompliance with applicable laws and regulations.
11. Renesas Electronics products and technologies shall not be used for or incorporated into any products or systems whose manufacture, use, or sale is prohibited under any applicable domestic or foreign laws or regulations. You shall comply with any applicable export control laws and regulations promulgated and administered by the governments of any countries asserting jurisdiction over the parties or transactions.
12. It is the responsibility of the buyer or distributor of Renesas Electronics products, or any other party who distributes, disposes of, or otherwise sells or transfers the product to a third party, to notify such third party in advance of the contents and conditions set forth in this document.
13. This document shall not be reprinted, reproduced or duplicated in any form, in whole or in part, without prior written consent of Renesas Electronics.
14. Please contact a Renesas Electronics sales office if you have any questions regarding the information contained in this document or Renesas Electronics products.

(Note1) "Renesas Electronics" as used in this document means Renesas Electronics Corporation and also includes its directly or indirectly controlled subsidiaries.

(Note2) "Renesas Electronics product(s)" means any product developed or manufactured by or for Renesas Electronics.

(Disclaimer Rev.5.0-1)

Corporate Headquarters

TOYOSU FORESIA, 3-2-24 Toyosu,
Koto-ku, Tokyo 135-0061, Japan
www.renesas.com

Trademarks

Renesas and the Renesas logo are trademarks of Renesas Electronics Corporation. All trademarks and registered trademarks are the property of their respective owners.

Contact Information

For further information on a product, technology, the most up-to-date version of a document, or your nearest sales office, please visit:
www.renesas.com/contact/