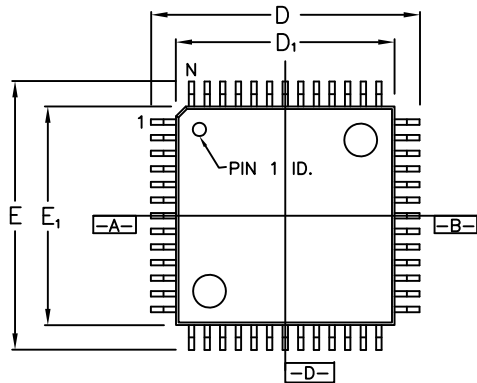
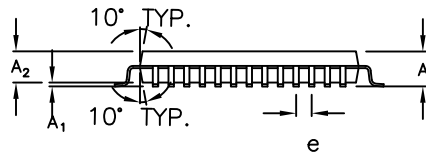


REVISIONS			
REV	DESCRIPTION	DATE	APPROVED
00	INITIAL RELEASE	4/25/01	P.PAIK
01	LEAD FORM	11/16/09	P.PAIK
02	CHANGE A1 DIM	3/11/10	M.ABAYA
03	ADD PACKAGE CODE	12/12/12	RC
04	REMOVE DNG64 & 80 UPDATE DIMENSION	4/19/16	JH



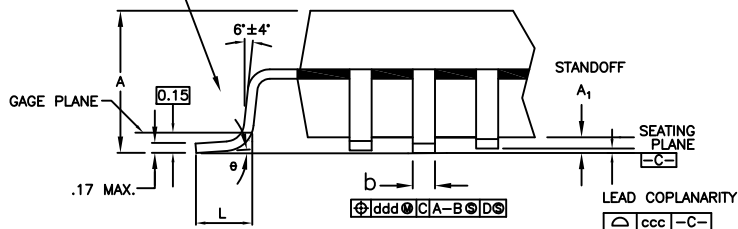
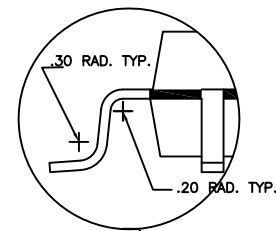
ANOTHER VARIATION OF  
PIN 1 VISUAL AID



PKG MARK - DN	DN/DNG52
PACKAGE THICKNESS	2.70
JEDEC VARIATION	BB-1
DIMS.	TOLS. LEADS
A	MAX 3.40
A1	0.10MIN/0.50MAX.
A2	±.20 2.70
D	±.25 17.20
D1	±.10 14.00
E	±.25 17.20
E1	±.10 14.00
L	+.15/-.10 .88
e	BASIC 1.00
b	±.08 0.42
θ	0°~7°
ddd	.20 NOM.
ccc	MAX. .10

NOTES :

1. ALL DIMENSIONS IN MILLIMETERS.
2. DIMENSIONS SHOWN ARE NOMINAL WITH TOLERANCES AS INDICATED.
3. FOOT LENGTH "L" IS MEASURED AT GAGE PLANE, 0.25 ABOVE SEATING PLANE.
4. THIS OUTLINE CONFORMS TO JEDEC PUBLICATION 95 REGISTRATION MO-108.



UNLESS OTHERWISE SPECIFIED  
DIMENSIONS ARE IN MILLIMETERS  
DECIMAL ANGULAR  
XX ±0.10 ±1°  
XXX ±0.05  
XXXX ±0.03



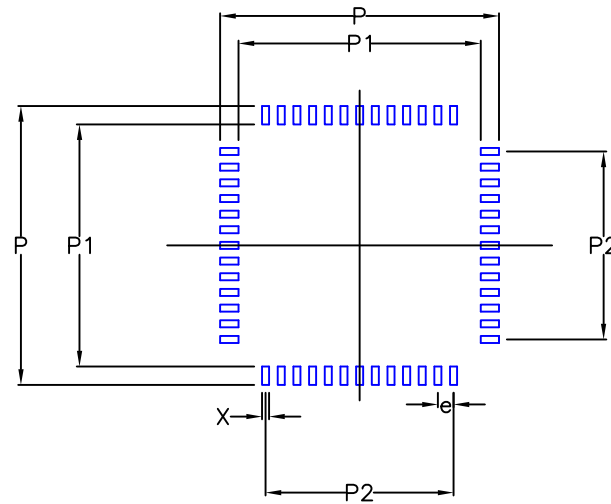
6024 SILVER CREEK  
VALLEY ROAD, SAN JOSE, CA 95138  
PHONE: (408) 284-8200  
FAX: (408) 284-3572

APPROVALS	DATE
DRAWN PSCOP	4/24/01
CHECKED	

DN/DNG PACKAGE OUTLINE 14 X 14 mm BODY PQFP 1.60/0.15 mm FORM, 2.70 mm THICK		
DRAWING No.	SIZE	SCALE
PSC-4100	B	N/A
DO NOT SCALE DRAWING	REV	04
SHEET 1		OF 2

REVISIONS			
REV	DESCRIPTION	DATE	APPROVED
00	INITIAL RELEASE	4/25/01	P.PAIK
01	LEAD FORM	11/16/09	P.PAIK
02	CHANGE A1 DIM	3/11/10	M.ABAYA
03	ADD PACKAGE CODE	12/12/12	RC
04	REMOVE DNG64 & 80 UPDATE DIMENSION	4/19/16	JH

LAND PATTERN DIMENSIONS



	MIN	MAX
P	17.80	18.00
P1	14.40	14.60
P2	12.00 BSC	
X	.45	.55
e	1.00 BSC	
N	52	

UNLESS OTHERWISE SPECIFIED  
DIMENSIONS ARE IN MILLIMETERS  
DECIMAL ANGULAR  
XX ±0.10 ±1°  
XXX ±0.05  
XXX ±0.03



IDT™ 6024 SILVER CREEK  
VALLEY ROAD, SAN JOSE, CA 95138  
PHONE: (408) 284-8200  
FAX: (408) 284-3572

APPROVALS	DATE	DN/DNG PACKAGE OUTLINE		
DRAWN PSCP	4/24/01	14 X 14 mm BODY PQFP		
CHECKED		1.60/0.15 mm FORM, 2.70 mm THICK		
		DRAWING No.	SIZE	SCALE
		PSC-4100	B	N/A
		DO NOT SCALE DRAWING	SHEET 2	OF 2
			REV	
			04	