

## RZ Ecosystem Partner Solution OneKiwi RZ/V2L SOM



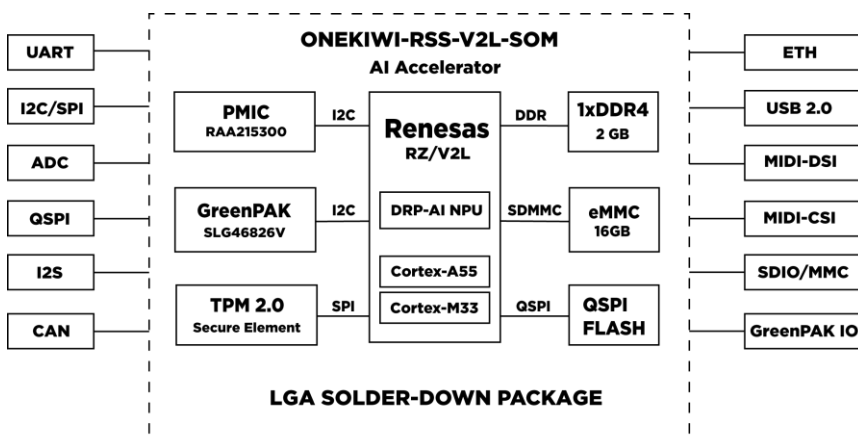
### Solution Summary

OneKiwi SOMs provide reliable hardware and software solutions for rapid development. The RZ/V2L SOM leverages the performance and flexibility of a [Renesas RZ/V2L](#) 64-bit Cortex®-A55 MPU with a built-in DRP-AI accelerator and secures local Artificial Intelligence (AI) driven data processing. OneKiwi SOM RZ/V2L - AI Accelerator is also pin-compatible with MPU to address the needs of a wide range of IoT industrial applications.

### Features/Benefits

- RZ/V2L dual core Cortex-A55 1.2 GHz, Cortex-M33 CPU, Mali-G31 GPU
  - DRP-AI with excellent power efficiency eliminates the need for heat sinks or cooling fans on system installation
- Storage eMMC 16 GB and RAM 2 GB DDR4
- GreenPAK™ Programmable Mixed-signal Matrix with In-System Programmability with EEPROM (read/write protection) emulation memory enables to reduce external IC and makes interface bridge or custom glue logic.
- TPM 2.0 protecting integrity and authenticity of embedded systems
- -40 to +85 C industrial temperature rating
- 50mm x 50mm solder-down form factor
- Supports Yocto Linux and Debian OS

### Diagrams/Graphics



### Target Markets and Applications

- Artificial Intelligence
- Machine learning system
- Smart parking lot
- Smart traffic monitoring
- Smart city
- Smart energy applications
- Media streaming gateway
- Smart IoT gateway

[www.onekiwi.com.vn/products/som-renesas-v2l/](http://www.onekiwi.com.vn/products/som-renesas-v2l/)



OneKiwi is a fast-growing start-up company that specializes in designing and manufacturing high-performance SOMs (System on Module) and BMS (Battery Management System) for various applications, such as Industrial Automation, Robotics, IoT, AI-based Applications and more.

OneKiwi is committed to delivering high-quality, reliable, and innovative SOM solutions to its customers.

We are constantly improving its products and services and staying ahead of the latest trends and technologies in the embedded system industry. OneKiwi is your trusted and preferred SOM partner.

Prime focus areas are:

- System on Modules (SoMs) & Battery Management System (BMS) Solution Provider
- Independent Design House (IDH)
- Antenna performance Testing & Optimization

### Mission and Vision

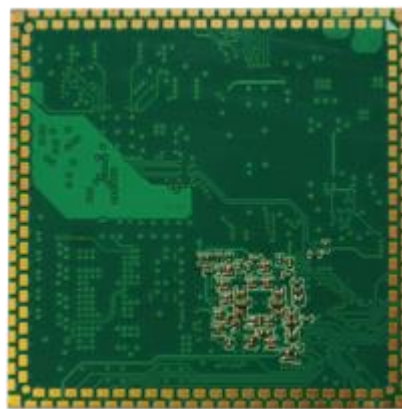
**Mission:** OneKiwi pioneers IoT & Embedded solutions, connecting the world for a smarter future. Our expertise drives innovation, creating secure and scalable IoT solutions for homes, industries, and beyond. Join us in shaping a connected tomorrow.

**Vision:** To be the preferred partner for startups and businesses, driving advancements in embedded technology, IoT, renewable energy, and smart city solutions, and fostering a collaborative ecosystem for innovation and growth.

Web: <https://onekiwi.com.vn/>

Contact: [enquiry@ontech.com.vn](mailto:enquiry@ontech.com.vn)

Location: Asean/ Vietnam



Shop: [www.onekiwi.com.vn/product/som-renesas-ai-rz-v2l/](http://www.onekiwi.com.vn/product/som-renesas-ai-rz-v2l/)