

Digital AC Direct Power Controller for Phase-Cut Dimmable LED Luminaires

1 Description

The iW3989 is a high performance AC direct power controller for dimmable LED luminaires. It applies advanced digital control technology to detect the dimmer type, enabling it to provide dynamic impedance to interface with the dimmer and to control the LED brightness at the same time.

With advanced dimmer detection technology, the iW3989 can operate with most wall dimmers including leading-edge dimmers (R-type or R-L type), trailing-edge dimmers (R-C type), and smart dimmers. In addition, the iW3989's cycle-by-cycle waveform analysis technology allows for fast dimmer transient response.

The iW3989 achieves excellent closed-loop LED current regulation under different AC line and LED forward voltages. It provides high efficiency that is close to switch-mode controllers, which solves the thermal challenges in most AC direct driven luminaires. By eliminating the inductive components, the iW3989 eliminates the audible noise when working with TRIAC dimmers, enabling a true incandescent-like lighting experience. The iW3989 also uses proprietary digital technology to enhance the immunity to line distortion, makes it a robust, flicker-free solution in harsh AC line environments.

The iW3989 minimizes the external components count by simplifying the EMI design with Dialog's **EZ-EMI**® technology, and by integrating the LED current sink and V_{CC} charging circuit.

2 Features

- Non-isolated off-line 120V_{AC} LED driver
- Wide AC line frequency range (from 45Hz to 66Hz)
- High power factor > 0.7 or > 0.9
- Excellent dimmer compatibility
 - » Leading-edge dimmer
 - » Trailing-edge dimmer
 - » Digital smart dimmer
- Wide dimming range
- No external V_{CC} charging needed - reduces BOM cost
- Excellent immunity to AC line distortion
- Tight LED current regulation
- Fast start-up (< 0.5s without dimmer)
- Multiple protection features:
 - » LED open-circuit and short-circuit
 - » Current setting resistor open-circuit and short-circuit
 - » Over-temperature derating and thermal shutdown

3 Applications

- Dimmable LED retrofit lamps up to 15W (Note 1)
- Dimmable LED Luminaires up to 15W (Note 1)

Digital AC Direct Power Controller for Phase-Cut Dimmable LED Luminaires

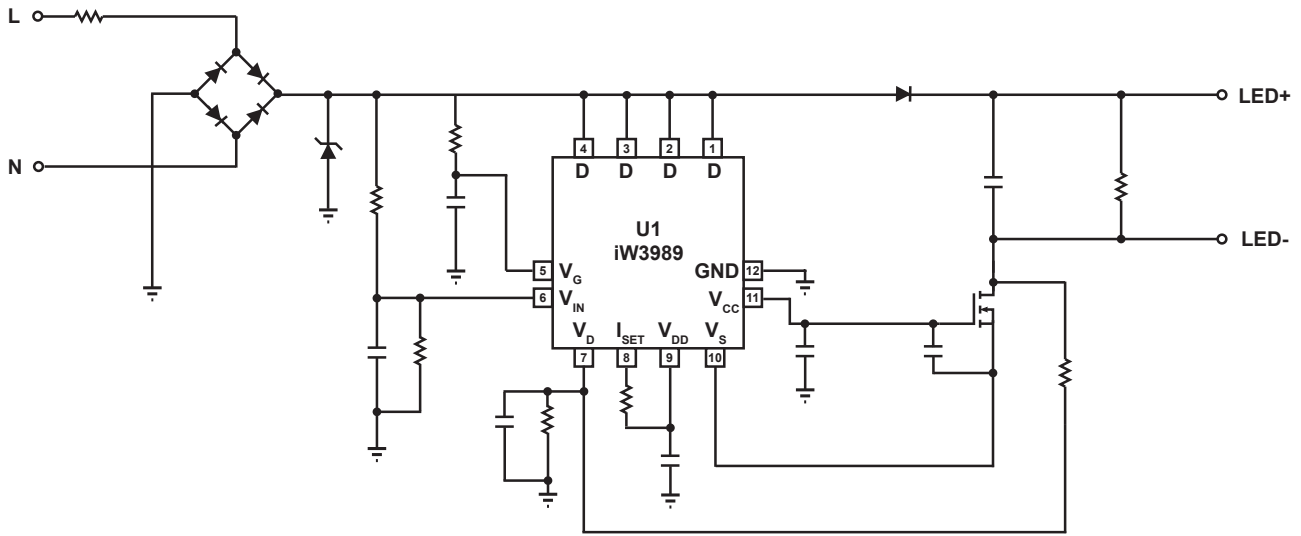


Figure 3.1 : iW3989 Typical Application Circuit

Note 1: For output power above 10W designs, care should be taken to verify the thermal and reliability constraints on the IC. IC temperature below 120°C is recommended for proper IC operation.

Digital AC Direct Power Controller for Phase-Cut Dimmable LED Luminaires

4 Pinout Description

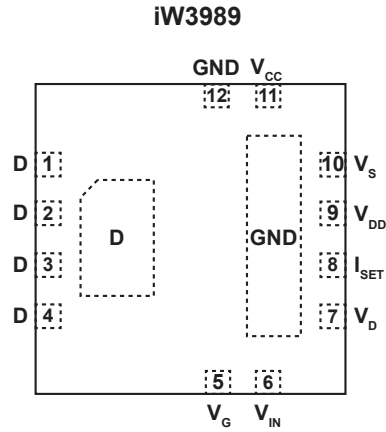


Figure 4.1 : 12-Lead QFN Package Top View (Transparent)

Pin Number QFN-12	Pin Name	Type	Pin Description
1-4	D	Analog Input	Internal high voltage MOSFET drain.
5	V_G	Analog Input	Internal high voltage MOSFET gate.
6	V_{IN}	Analog Input	Rectified AC line voltage sense.
7	V_D	Analog Input	External MOSFET drain voltage sense.
8	I_{SET}	Analog Input	LED current setting.
9	V_{DD}	Power	Power supply for control logic.
10	V_S	Analog Input	External MOSFET source pin.
11	V_{CC}	Power	External MOSFET gate bias.
12	GND	Ground	Ground.

Digital AC Direct Power Controller for Phase-Cut Dimmable LED Luminaires

5 Absolute Maximum Ratings

Absolute maximum ratings are the parameter values or ranges which can cause permanent damage if exceeded.

Parameter	Symbol	Value	Units
D		500	V
V_G		-0.3 to 30	V
V_{IN}		-0.3 to 7	V
V_D		-0.3 to 7	V
V_{DD}		-0.3 to 7	V
I_{SET}		-0.3 to 7	V
V_S		-0.3 to 12	V
V_{CC}		-0.3 to 12	V
ESD Rating (HBM)		± 2000	V
Storage temperature range		-65 to +150	°C
Maximum junction temperature		150	°C

Note 1: Stresses beyond those listed under Absolute Maximum Ratings may cause permanent damage to the device. These are stress ratings only, so functional operation of the device at these or any other conditions beyond those indicated in the operational sections of the specification are not implied. Exposure to absolute maximum rating conditions for extended periods may affect device reliability.

Digital AC Direct Power Controller for Phase-Cut Dimmable LED Luminaires

6 Physical Dimensions

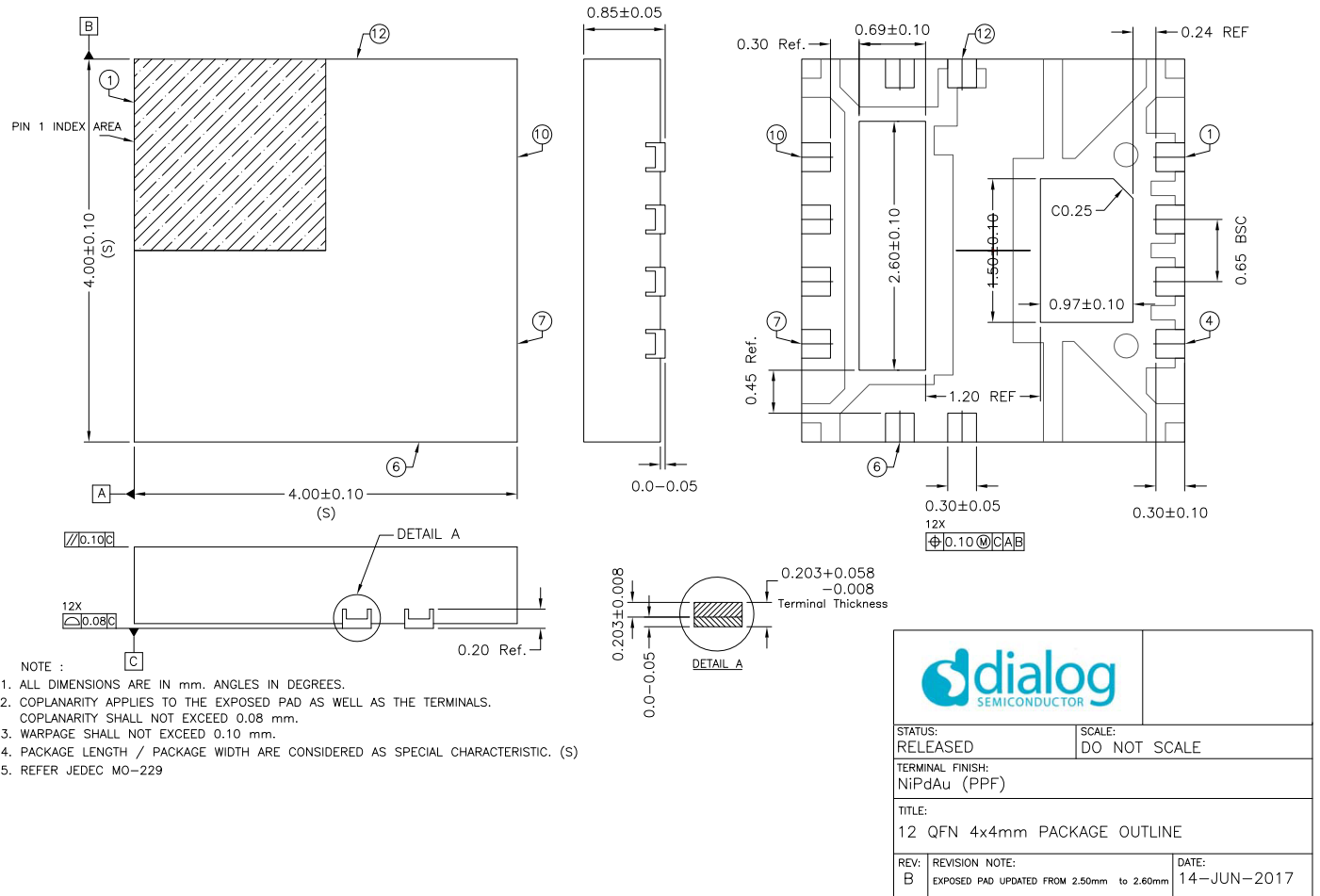


Figure 6.1 : Physical Dimension of QFN Package

7 Ordering Information

Part Number	Options		Package	Description
	Optimized Output Power Range	Power Factor		
iW3989-00	up to 10W	> 0.7	QFN-12	Tape & Reel ¹
iW3989-20	above 10W	> 0.9	QFN-12	Tape & Reel ¹
iW3989-30	above 10W	> 0.7	QFN-12	Tape & Reel ¹

Note 1: Tape & Reel packing quantity is 1,500/reel. Minimum packing quantity is 1,500.

Digital AC Direct Power Controller for Phase-Cut Dimmable LED Luminaires

IMPORTANT NOTICE AND DISCLAIMER

RENESAS ELECTRONICS CORPORATION AND ITS SUBSIDIARIES ("RENESAS") PROVIDES TECHNICAL SPECIFICATIONS AND RELIABILITY DATA (INCLUDING DATASHEETS), DESIGN RESOURCES (INCLUDING REFERENCE DESIGNS), APPLICATION OR OTHER DESIGN ADVICE, WEB TOOLS, SAFETY INFORMATION, AND OTHER RESOURCES "AS IS" AND WITH ALL FAULTS, AND DISCLAIMS ALL WARRANTIES, EXPRESS OR IMPLIED, INCLUDING, WITHOUT LIMITATION, ANY IMPLIED WARRANTIES OF MERCHANTABILITY, FITNESS FOR A PARTICULAR PURPOSE, OR NON-INFRINGEMENT OF THIRD PARTY INTELLECTUAL PROPERTY RIGHTS.

These resources are intended for developers skilled in the art designing with Renesas products. You are solely responsible for (1) selecting the appropriate products for your application, (2) designing, validating, and testing your application, and (3) ensuring your application meets applicable standards, and any other safety, security, or other requirements. These resources are subject to change without notice. Renesas grants you permission to use these resources only for development of an application that uses Renesas products. Other reproduction or use of these resources is strictly prohibited. No license is granted to any other Renesas intellectual property or to any third party intellectual property. Renesas disclaims responsibility for, and you will fully indemnify Renesas and its representatives against, any claims, damages, costs, losses, or liabilities arising out of your use of these resources. Renesas' products are provided only subject to Renesas' Terms and Conditions of Sale or other applicable terms agreed to in writing. No use of any Renesas resources expands or otherwise alters any applicable warranties or warranty disclaimers for these products.

© 2022 Renesas Electronics Corporation. All rights reserved.

RoHS Compliance

Dialog Semiconductor's suppliers certify that its products are in compliance with the requirements of Directive 2011/65/EU of the European Parliament on the restriction of the use of certain hazardous substances in electrical and electronic equipment. RoHS certificates from our suppliers are available on request.

(Rev.1.0 Mar 2020)

Corporate Headquarters

TOYOSU FORESIA, 3-2-24 Toyosu
Koto-ku, Tokyo 135-0061, Japan
www.renesas.com

Contact Information

For further information on a product, technology, the most up-to-date version of a document, or your nearest sales office, please visit:
www.renesas.com/contact/

Trademarks

Renesas and the Renesas logo are trademarks of Renesas Electronics Corporation. All trademarks and registered trademarks are the property of their respective owners.