

PCB Design Guidelines for High Speed Signal Interfaces and Others

RZ/G3E FCBGA 15.0/21.0sq

All information contained in these materials, including products and product specifications, represents information on the product at the time of publication and is subject to change by Renesas Electronics Corp. without notice. Please review the latest information published by Renesas Electronics Corp. through various means, including the Renesas Electronics Corp. website (<http://www.renesas.com>).

Notice

1. Descriptions of circuits, software and other related information in this document are provided only to illustrate the operation of semiconductor products and application examples. You are fully responsible for the incorporation or any other use of the circuits, software, and information in the design of your product or system. Renesas Electronics disclaims any and all liability for any losses and damages incurred by you or third parties arising from the use of these circuits, software, or information.
2. Renesas Electronics hereby expressly disclaims any warranties against and liability for infringement or any other claims involving patents, copyrights, or other intellectual property rights of third parties, by or arising from the use of Renesas Electronics products or technical information described in this document, including but not limited to, the product data, drawings, charts, programs, algorithms, and application examples.
3. No license, express, implied or otherwise, is granted hereby under any patents, copyrights or other intellectual property rights of Renesas Electronics or others.
4. You shall be responsible for determining what licenses are required from any third parties, and obtaining such licenses for the lawful import, export, manufacture, sales, utilization, distribution or other disposal of any products incorporating Renesas Electronics products, if required.
5. You shall not alter, modify, copy, or reverse engineer any Renesas Electronics product, whether in whole or in part. Renesas Electronics disclaims any and all liability for any losses or damages incurred by you or third parties arising from such alteration, modification, copying or reverse engineering.
6. Renesas Electronics products are classified according to the following two quality grades: "Standard" and "High Quality". The intended applications for each Renesas Electronics product depends on the product's quality grade, as indicated below.

"Standard": Computers; office equipment; communications equipment; test and measurement equipment; audio and visual equipment; home electronic appliances; machine tools; personal electronic equipment; industrial robots; etc.

"High Quality": Transportation equipment (automobiles, trains, ships, etc.); traffic control (traffic lights); large-scale communication equipment; key financial terminal systems; safety control equipment; etc.

Unless expressly designated as a high reliability product or a product for harsh environments in a Renesas Electronics data sheet or other Renesas Electronics document, Renesas Electronics products are not intended or authorized for use in products or systems that may pose a direct threat to human life or bodily injury (artificial life support devices or systems; surgical implantations; etc.), or may cause serious property damage (space system; undersea repeaters; nuclear power control systems; aircraft control systems; key plant systems; military equipment; etc.). Renesas Electronics disclaims any and all liability for any damages or losses incurred by you or any third parties arising from the use of any Renesas Electronics product that is inconsistent with any Renesas Electronics data sheet, user's manual or other Renesas Electronics document.
7. No semiconductor product is absolutely secure. Notwithstanding any security measures or features that may be implemented in Renesas Electronics hardware or software products, Renesas Electronics shall have absolutely no liability arising out of any vulnerability or security breach, including but not limited to any unauthorized access to or use of a Renesas Electronics product or a system that uses a Renesas Electronics product. RENESAS ELECTRONICS DOES NOT WARRANT OR GUARANTEE THAT RENESAS ELECTRONICS PRODUCTS, OR ANY SYSTEMS CREATED USING RENESAS ELECTRONICS PRODUCTS WILL BE INVULNERABLE OR FREE FROM CORRUPTION, ATTACK, VIRUSES, INTERFERENCE, HACKING, DATA LOSS OR THEFT, OR OTHER SECURITY INTRUSION ("Vulnerability Issues"). RENESAS ELECTRONICS DISCLAIMS ANY AND ALL RESPONSIBILITY OR LIABILITY ARISING FROM OR RELATED TO ANY VULNERABILITY ISSUES. FURTHERMORE, TO THE EXTENT PERMITTED BY APPLICABLE LAW, RENESAS ELECTRONICS DISCLAIMS ANY AND ALL WARRANTIES, EXPRESS OR IMPLIED, WITH RESPECT TO THIS DOCUMENT AND ANY RELATED OR ACCOMPANYING SOFTWARE OR HARDWARE, INCLUDING BUT NOT LIMITED TO THE IMPLIED WARRANTIES OF MERCHANTABILITY, OR FITNESS FOR A PARTICULAR PURPOSE.
8. When using Renesas Electronics products, refer to the latest product information (data sheets, user's manuals, application notes, "General Notes for Handling and Using Semiconductor Devices" in the reliability handbook, etc.), and ensure that usage conditions are within the ranges specified by Renesas Electronics with respect to maximum ratings, operating power supply voltage range, heat dissipation characteristics, installation, etc. Renesas Electronics disclaims any and all liability for any malfunctions, failure or accident arising out of the use of Renesas Electronics products outside of such specified ranges.
9. Although Renesas Electronics endeavors to improve the quality and reliability of Renesas Electronics products, semiconductor products have specific characteristics, such as the occurrence of failure at a certain rate and malfunctions under certain use conditions. Unless designated as a high reliability product or a product for harsh environments in a Renesas Electronics data sheet or other Renesas Electronics document, Renesas Electronics products are not subject to radiation resistance design. You are responsible for implementing safety measures to guard against the possibility of bodily injury, injury or damage caused by fire, and/or danger to the public in the event of a failure or malfunction of Renesas Electronics products, such as safety design for hardware and software, including but not limited to redundancy, fire control and malfunction prevention, appropriate treatment for aging degradation or any other appropriate measures. Because the evaluation of microcomputer software alone is very difficult and impractical, you are responsible for evaluating the safety of the final products or systems manufactured by you.
10. Please contact a Renesas Electronics sales office for details as to environmental matters such as the environmental compatibility of each Renesas Electronics product. You are responsible for carefully and sufficiently investigating applicable laws and regulations that regulate the inclusion or use of controlled substances, including without limitation, the EU RoHS Directive, and using Renesas Electronics products in compliance with all these applicable laws and regulations. Renesas Electronics disclaims any and all liability for damages or losses occurring as a result of your noncompliance with applicable laws and regulations.
11. Renesas Electronics products and technologies shall not be used for or incorporated into any products or systems whose manufacture, use, or sale is prohibited under any applicable domestic or foreign laws or regulations. You shall comply with any applicable export control laws and regulations promulgated and administered by the governments of any countries asserting jurisdiction over the parties or transactions.
12. It is the responsibility of the buyer or distributor of Renesas Electronics products, or any other party who distributes, disposes of, or otherwise sells or transfers the product to a third party, to notify such third party in advance of the contents and conditions set forth in this document.
13. This document shall not be reprinted, reproduced or duplicated in any form, in whole or in part, without prior written consent of Renesas Electronics.
14. Please contact a Renesas Electronics sales office if you have any questions regarding the information contained in this document or Renesas Electronics products.

(Note1) "Renesas Electronics" as used in this document means Renesas Electronics Corporation and also includes its directly or indirectly controlled subsidiaries.

(Note2) "Renesas Electronics product(s)" means any product developed or manufactured by or for Renesas Electronics.

(Rev.5.0-1 October 2020)

Corporate Headquarters

TOYOSU FORESIA, 3-2-24 Toyosu,
Koto-ku, Tokyo 135-0061, Japan

www.renesas.com

Contact information

For further information on a product, technology, the most up-to-date version of a document, or your nearest sales office, please visit:

www.renesas.com/contact/

Trademarks

Renesas and the Renesas logo are trademarks of Renesas Electronics Corporation. All trademarks and registered trademarks are the property of their respective owners.

General Precautions in the Handling of Microprocessing Unit and Microcontroller Unit Products

The following usage notes are applicable to all Microprocessing unit and Microcontroller unit products from Renesas. For detailed usage notes on the products covered by this document, refer to the relevant sections of the document as well as any technical updates that have been issued for the products.

1. Precaution against Electrostatic Discharge (ESD)

A strong electrical field, when exposed to a CMOS device, can cause destruction of the gate oxide and ultimately degrade the device operation. Steps must be taken to stop the generation of static electricity as much as possible, and quickly dissipate it when it occurs. Environmental control must be adequate. When it is dry, a humidifier should be used. This is recommended to avoid using insulators that can easily build up static electricity. Semiconductor devices must be stored and transported in an anti-static container, static shielding bag or conductive material. All test and measurement tools including work benches and floors must be grounded. The operator must also be grounded using a wrist strap. Semiconductor devices must not be touched with bare hands. Similar precautions must be taken for printed circuit boards with mounted semiconductor devices.

2. Processing at power-on

The state of the product is undefined at the time when power is supplied. The states of internal circuits in the LSI are indeterminate and the states of register settings and pins are undefined at the time when power is supplied. In a finished product where the reset signal is applied to the external reset pin, the states of pins are not guaranteed from the time when power is supplied until the reset process is completed. In a similar way, the states of pins in a product that is reset by an on-chip power-on reset function are not guaranteed from the time when power is supplied until the power reaches the level at which resetting is specified.

3. Input of signal during power-off state

Do not input signals or an I/O pull-up power supply while the device is powered off. The current injection that results from input of such a signal or I/O pull-up power supply may cause malfunction and the abnormal current that passes in the device at this time may cause degradation of internal elements. Follow the guideline for input signal during power-off state as described in your product documentation.

4. Handling of unused pins

Handle unused pins in accordance with the directions given under handling of unused pins in the manual. The input pins of CMOS products are generally in the high-impedance state. In operation with an unused pin in the open-circuit state, extra electromagnetic noise is induced in the vicinity of the LSI, an associated shoot-through current flows internally, and malfunctions occur due to the false recognition of the pin state as an input signal become possible.

5. Clock signals

After applying a reset, only release the reset line after the operating clock signal becomes stable. When switching the clock signal during program execution, wait until the target clock signal is stabilized. When the clock signal is generated with an external resonator or from an external oscillator during a reset, ensure that the reset line is only released after full stabilization of the clock signal. Additionally, when switching to a clock signal produced with an external resonator or by an external oscillator while program execution is in progress, wait until the target clock signal is stable.

6. Voltage application waveform at input pin

Waveform distortion due to input noise or a reflected wave may cause malfunction. If the input of the CMOS device stays in the area between V_{IL} (Max.) and V_{IH} (Min.) due to noise, for example, the device may malfunction. Take care to prevent chattering noise from entering the device when the input level is fixed, and also in the transition period when the input level passes through the area between V_{IL} (Max.) and V_{IH} (Min.).

7. Prohibition of access to reserved addresses

Access to reserved addresses is prohibited. The reserved addresses are provided for possible future expansion of functions. Do not access these addresses as the correct operation of the LSI is not guaranteed.

8. Differences between products

Before changing from one product to another, for example to a product with a different part number, confirm that the change will not lead to problems. The characteristics of a microprocessing unit or microcontroller unit products in the same group but having a different part number might differ in terms of internal memory capacity, layout pattern, and other factors, which can affect the ranges of electrical characteristics, such as characteristic values, operating margins, immunity to noise, and amount of radiated noise. When changing to a product with a different part number, implement a system-evaluation test for the given product.

Table of Contents

Introduction	6
1. LVDS	7
1.1 Signal Trace	7
1.1.1 General Guidelines	8
1.2 Power Supply	10
2. MIPI CSI-2 and MIPI DSI	11
2.1 Signal Trace	11
2.1.1 General Guidelines	12
2.1.2 Differential Signals	13
2.2 Power Supply	14
2.2.1 MIPI CSI-2	14
2.2.2 MIPI DSI	15
3. USB 2.0	16
3.1 Signal Trace	16
3.1.1 General Guidelines	16
3.1.2 Differential Signals	17
3.1.3 Other Signals	17
3.2 Power Supply	18
3.3 External Resistors	22
4. USB 3.2 Gen2	23
4.1 Signal Trace	23
4.1.1 General Guidelines	23
4.1.2 Differential Signal	24
4.2 Power Supply	26
4.3 External Resistors	27
5. PCI Express 3.0	28
5.1 Signal Trace	29
5.1.1 General Guidelines	29
5.1.2 Differential Signals	29

5.2	Power Supply.....	32
5.3	Clock Input.....	33
6.	12-Bit A/D Converter.....	34
6.1	Power Supply.....	34
7.	PLL.....	35
7.1	Power Supply.....	35
8.	OSC.....	36
8.1	Signal Trace.....	36
8.1.1	Crystal Frequency at 32.768 kHz.....	36
8.1.2	Crystal Frequency at 24 MHz.....	37
8.1.3	Crystal Frequency at 48 MHz.....	38
9.	Modeling.....	40
Appendix A	Concept of Loop Inductance.....	41
Appendix B	EMI/ESD Protection.....	44
Appendix C	Guidelines for Traces.....	45
REVISION HISTORY	49

Introduction

This document describes a PCB design guideline for designing a board with the RZ/G3E.

The interfaces which are described in this document are listed below.

- LVDS
- MIPI CSI-2
- MIPI DSI
- USB 2.0
- USB 3.2 Gen2
- PCI Express 3.0
- 12-bit A/D converter (ADC)
- PLL
- OSC

1. LVDS

In this chapter, the design guideline about LVDS is described.

1.1 Signal Trace

Topologies of transmitter and receiver are illustrated in **Figure 1.1**.

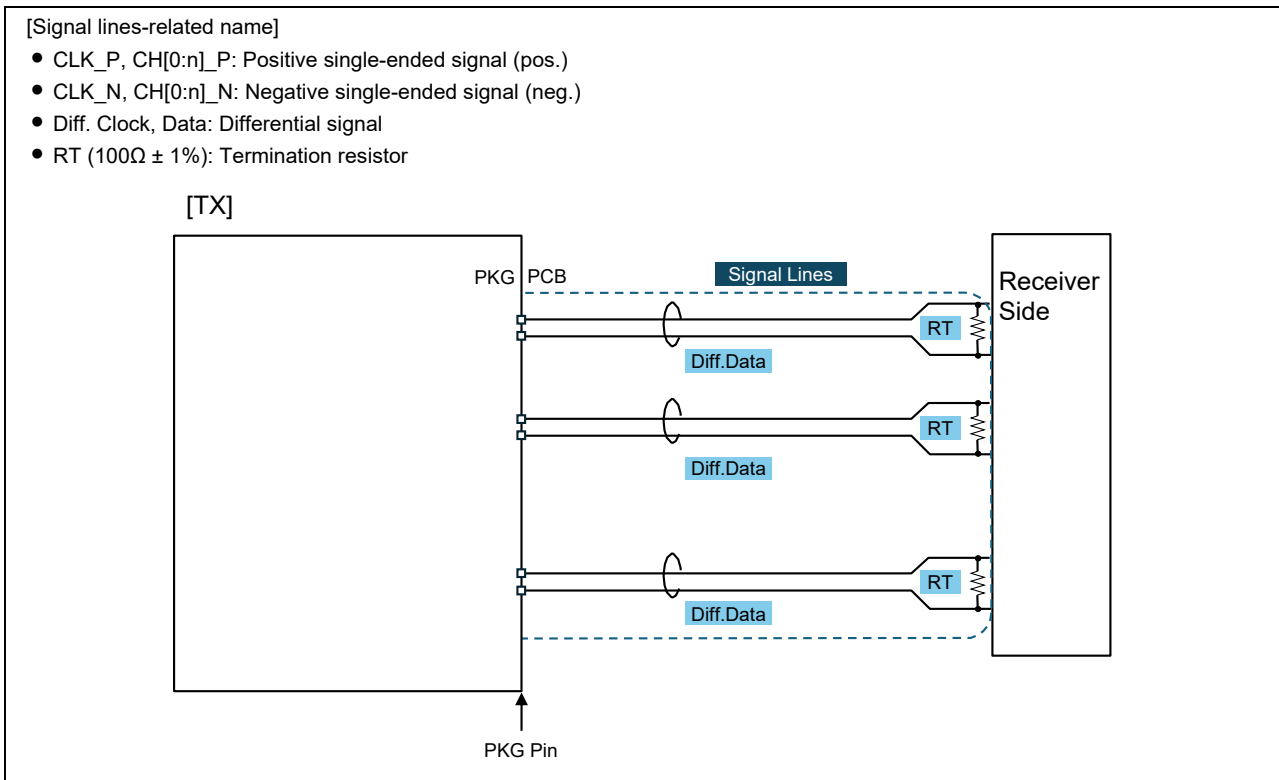


Figure 1.1 Signal Trace Topology

1.1.1 General Guidelines

Give design priority to the high priority items marked with a check mark.

Table 1.1 Guidelines for PCB Signal Lines of LVDS

Items	Guidelines	Fig.	Notes
Line impedance	✓: Differential $100\Omega \pm 20\%$	—	1
Line length difference	Between Diff. Clock and Diff. Data	✓: As the same length as possible	2
	Between each pos. and neg.	✓: Line length is as short as possible	—
Line bending	Recommended: External angle 45° (Prohibition: $> 45^\circ$)	—	3
Line layer Numbers of via	Between Diff. Clock and Diff. Data	Same layer	4
	Between each pos. and neg.	Note: Recommended: Top layer without any vias Same via number (number is as few as possible)	—
Line spacing	Between each pos. and neg.	S (min. of PCB design criterion)	(1) in Figure 1.2
	Between Diff. and next Diff.	$\geq 3S$ Note: When there is no GND shield	(6) in Figure 1.3
	Between Diff. and GND shields	$\geq S$ Note: Place GND shields on both sides of Diff.	(2) in Figure 1.2
	Between Diff. and other high speed / low speed signal	$\geq 3S$ Note: It is unnecessary when there are GND shields	—
	Between Diff. and Continuous Ground Plane	$\geq S$	(3) in Figure 1.2
Line width	$\geq S$	(4) in Figure 1.2	
Return path	✓: Place Continuous Ground Plane under Diff.	(5) in Figure 1.2	6
	Place GND through-hole next to signal through-hole Place GND vias symmetrically next to Diff.	—	

Note 1. TDR measurement condition: TRF = 0.5 ns@350 mV

Note 2. This is a guideline to reduce the line skew.

Note 3. Do not bend at an acute angle. Bend as arc.

Note 4. Do not use through-hole vias when changing the signal-line layer (to prevent reflections associated with stubs).

Note 5. These sizes are for reference only, and can be changed to the designer-side actual value.

Note 6. Ensure a sufficient Ground Plane width for signal lines width.

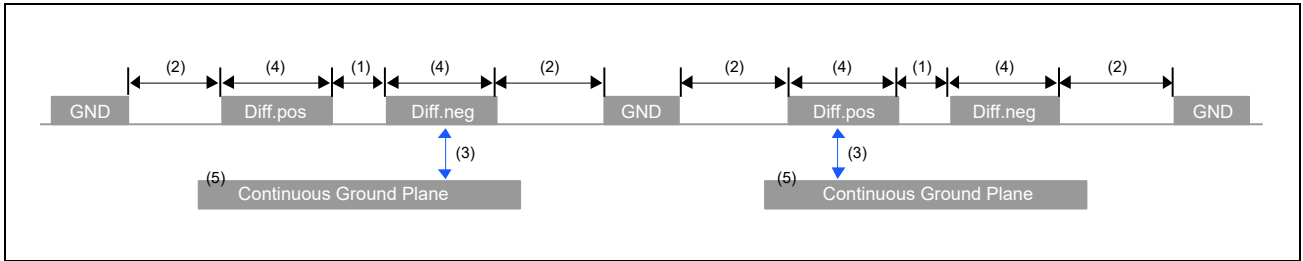


Figure 1.2 Signal Trace Example 1

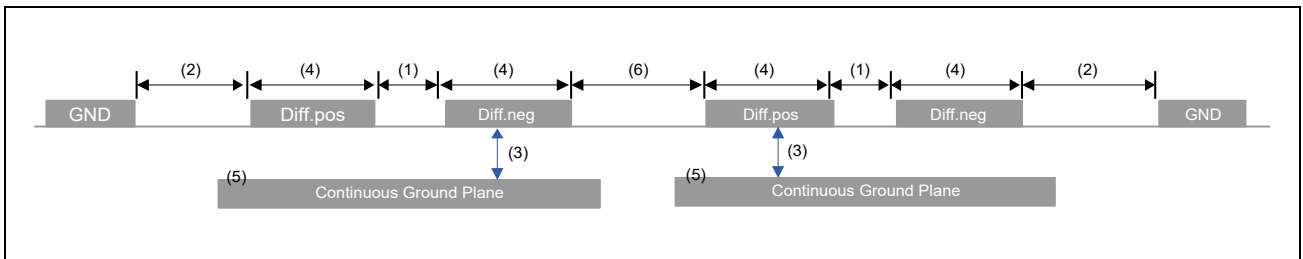


Figure 1.3 Signal Trace Example 2

1.2 Power Supply

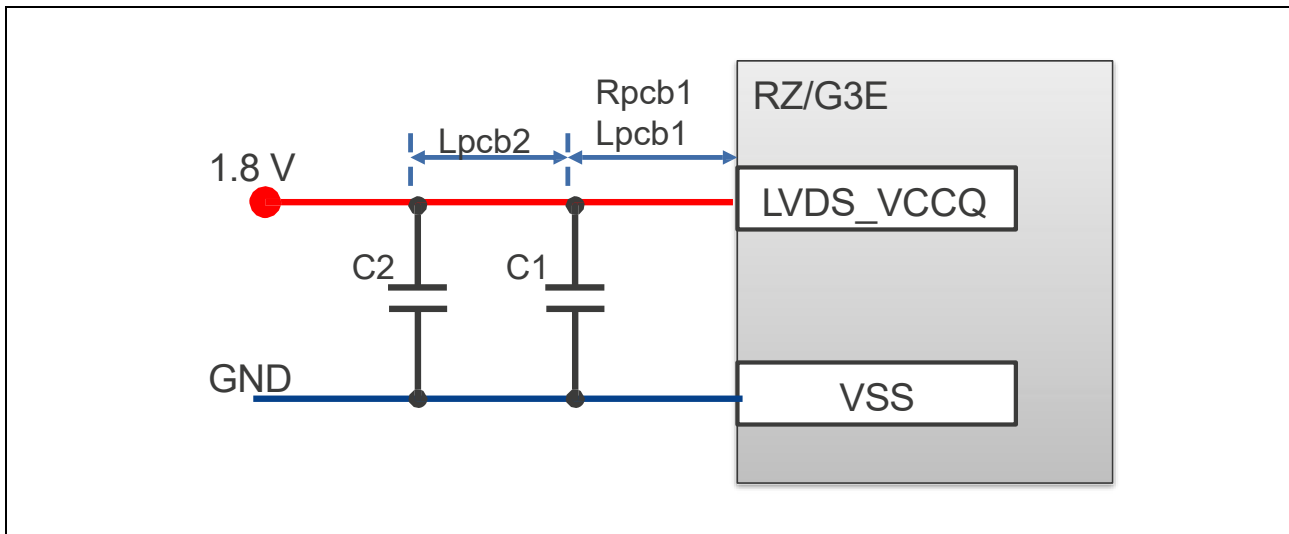


Figure 1.4 External Capacitors for LVDS

Table 1.2 Guidelines for PCB Power Lines of LVDS

Items	TX	Notes
Rpcb1	$\leq 30\text{m}\Omega$	—
Lpcb1	$\leq 2.8\text{ nH}$	1
Lpcb2	$\leq 3.0\text{ nH}$	
C1 (nearest the chip)	0.1 μF	2
C2	47 μF	3

Note 1. The power line inductance from the PKG pins to C1 should be as small as possible. Refer to **Appendix A, Concept of Loop Inductance**.

Note 2. Place C1 nearer the PKG pins to prevent the ripple noise by the transient current. Place a bypass capacitor between the respective power supply planes and solder balls.

Note 3. C2 has the effect of preventing noise from the common power plane to IP (If there is no such noise, C2 is unnecessary). Cut-off frequency is about a few kHz. The cut-off frequency should be low enough to prevent noise in the operating frequency/data rate range of this.

2. MIPI CSI-2 and MIPI DSI

In this chapter, design guidelines about MIPI CSI-2 and MIPI DSI are described.

Applicable Standard

For general information on electric and transfer path characteristics, as well as on connector specifications required in designing a PCB, refer to the specification issued by the standards certification bodies listed in **Table 2.1** and **Table 2.2**.

Table 2.1 Standard Applicable to MIPI CSI-2

Standard Certification Body	Title of Specification
MIPI Alliance	MIPI Alliance Specification for D-PHY Version 1.2

Table 2.2 Standard Applicable to MIPI DSI

Standard Certification Body	Title of Specification
MIPI Alliance	MIPI Alliance Specification for D-PHY Version 1.2
	MIPI Alliance Specification for Display Serial Interface Version 1.3.1

2.1 Signal Trace

Topologies of transmitter and receiver are illustrated in **Figure 2.1**.

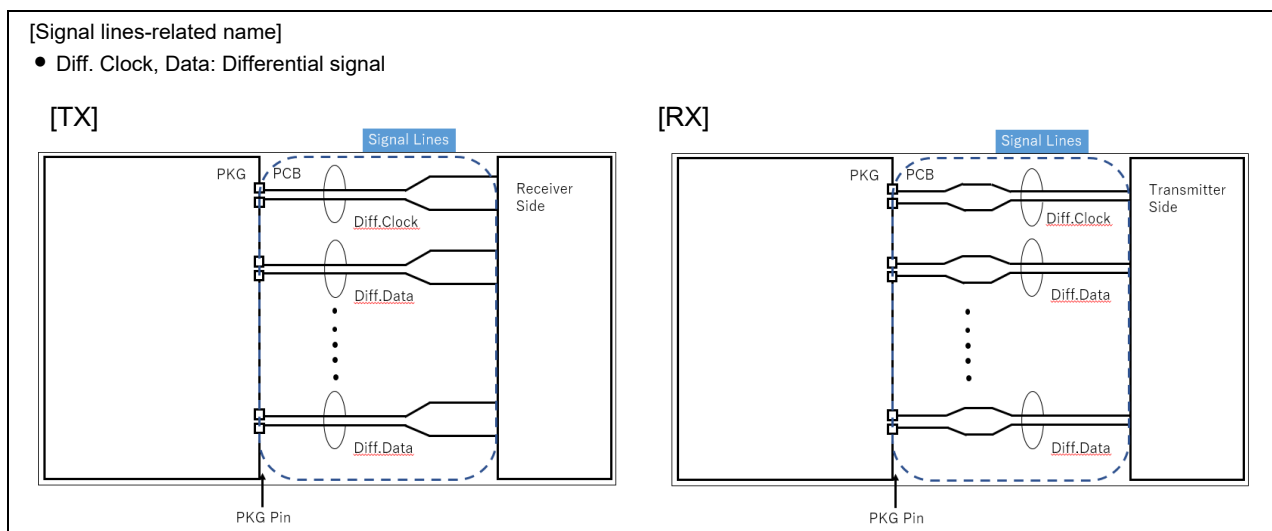


Figure 2.1 Signal Trace Topology

2.1.1 General Guidelines

Give design priority to the high priority items marked with a check mark.

Table 2.3 Guidelines for PCB Signal Lines of MIPI CSI-2 and MIPI DSI

Items	Guidelines	Fig.	Notes
Line impedance	✓: Differential $100\Omega \pm 5\%$ Single-end $50\Omega \pm 5\%$	—	1
Line length difference	Between Diff. Clock and Diff. Data ✓: As the same length as possible ✓: Line length is as short as possible Between each pos. and neg.	— —	2, 3
Line bending	Recommended: External angle 45° (Prohibition: $> 45^\circ$)	—	—
Line layer	Between Diff. Clock and Diff. Data Same layer	—	—
Numbers of via	Between each pos. and neg. Note: Recommended: Top layer without any vias Same via number (number is as few as possible)	—	—
Line spacing	Between Diff. and next Diff. $\geq 4S$ Note: When there is no GND shield Between Diff. and GND shields $\geq 2S$ Note: Place GND shields on both sides of Diff.	(6) in Figure 1.3 (2) in Figure 1.2	2
Line width	$\geq S$	(4) in Figure 1.2	—
Return path	Place Continuous Ground Plane under Diff. Place GND through-hole next to signal through-hole Place GND vias symmetrically next to Diff.	(5) in Figure 1.2 —	—

Note 1. Priority should be given to differential impedance for characteristics.

Note 2. Target value of wire length difference: within a maximum of $500\ \mu\text{m}$.

Note 3. The maximum trace length should be less than or equal to 100 mm.

2.1.2 Differential Signals

- DP/DN wiring should be of equal length, parallel, and equal width in the same layer.
- The trace length difference between two differential pair signals should be less than or equal to 2 mm at 1 Gbps, 1.33 mm at 1.5 Gbps, and 1 mm at 2 Gbps.
- Do not allow DP/DN wiring to cross power supply splits or plane voids.
- DP/DN wiring should not be intersected with other signals. When intersecting, sandwich the digital power plane or the GND plane.
- For DP/DN wiring, the number of bends should be kept as low as possible. Also, if you want to bend it, do not bend it at a right angle, but bend it twice to 45 degrees.
- To prevent noise contamination, the DP/DN wiring should be bent and sullen to a minimum, and the layer under the DP/DN wiring should be a GND plane.
- Keep the DP/DN wiring away from other signal wiring. Pay particular attention to rapidly changing signals such as clocks and data buses.
- Place the GND return via adjacent to the DP/DN via. The return path must be continuous at GND.

2.2 Power Supply

2.2.1 MIPI CSI-2

- Place 0.1 μF and 1 μF ceramic capacitors as close to the MPU as possible. At that time, place the small capacity on the MPU side and the large capacity on the regulator side.
- Since the CSI0_MSVD18 and CSI0_MSVD0P8 power supplies are IP-only power supplies, consider using ferrite beads when sharing them with other power supplies. When using ferrite beads, do not use the power supply after passing the ferrite beads for anything other than MIPI CSI-2. Also, when using ferrite beads, place them as close to the MPU as possible.
- The inductance of the PCB should be as small as possible.
- The CSI*_MSVD0P8 requires power to be supplied to all four power terminals, regardless of the number of lanes used, but the CSI*_MSVD18 requires power supply only to the power supply terminals corresponding to the lane number to be used.

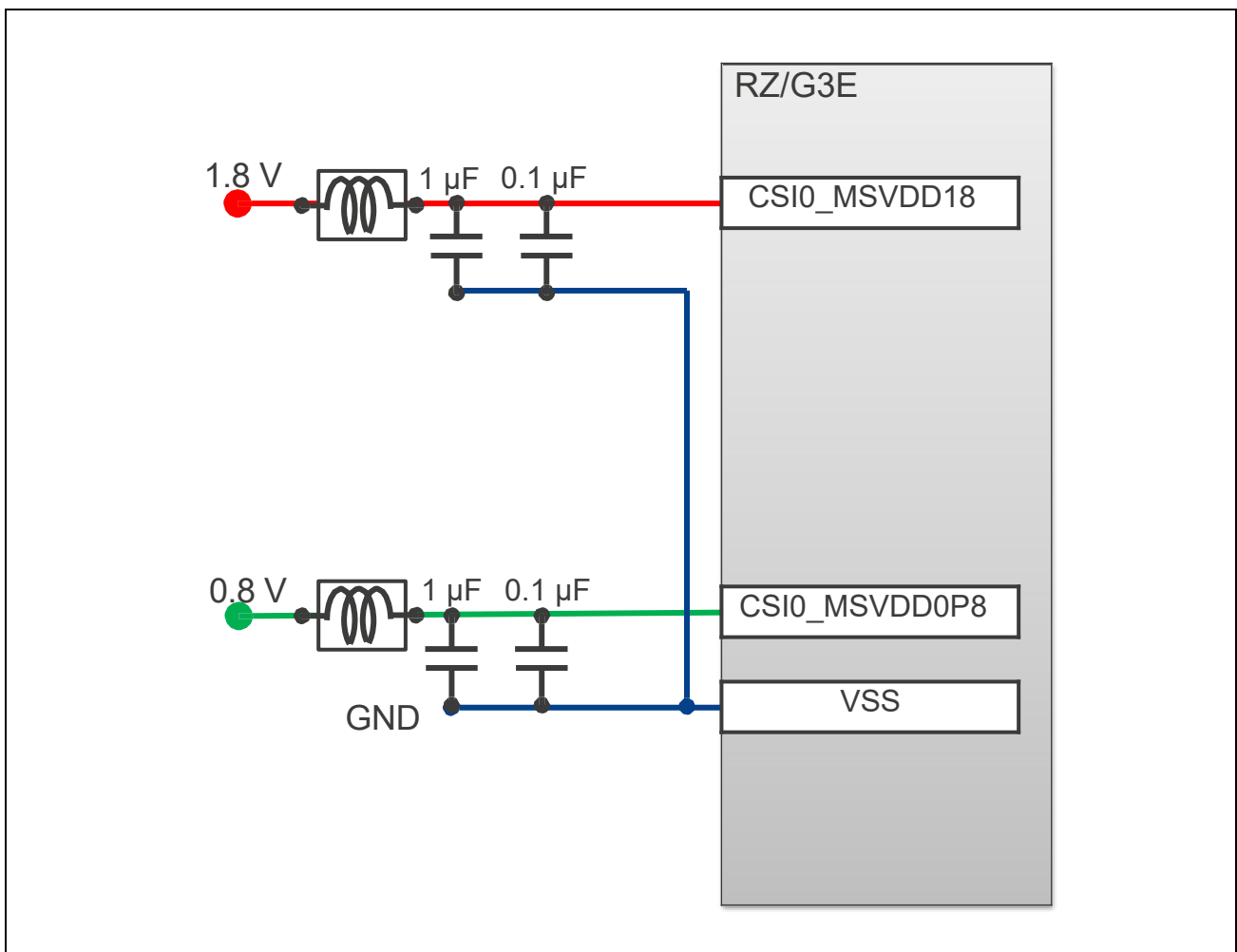


Figure 2.2 External Capacitors for MIPI CSI-2

2.2.2 MIPI DSI

- Place 0.1 μF and 1 μF ceramic capacitors as close to the MPU as possible. At that time, place the small capacity on the MPU side and the large capacity on the regulator side.
- Since each power supply DSI_VDD18, DSI_VDD12, and DSI_VDD0P8 are IP-only power supplies, consider using ferrite beads when sharing them with other power supplies. When using ferrite beads, do not use power through ferrite beads for anything other than MIPI DSI. Also, place the ferrite beads as close to the MPU as possible.
- Place a 2.2 nF capacitor between the DSI_VREG0P4V and VSS near the MPU. Keep the DSI_VREG0P4V away from noisy signal wiring.
- The inductance of the PCB should be as small as possible.

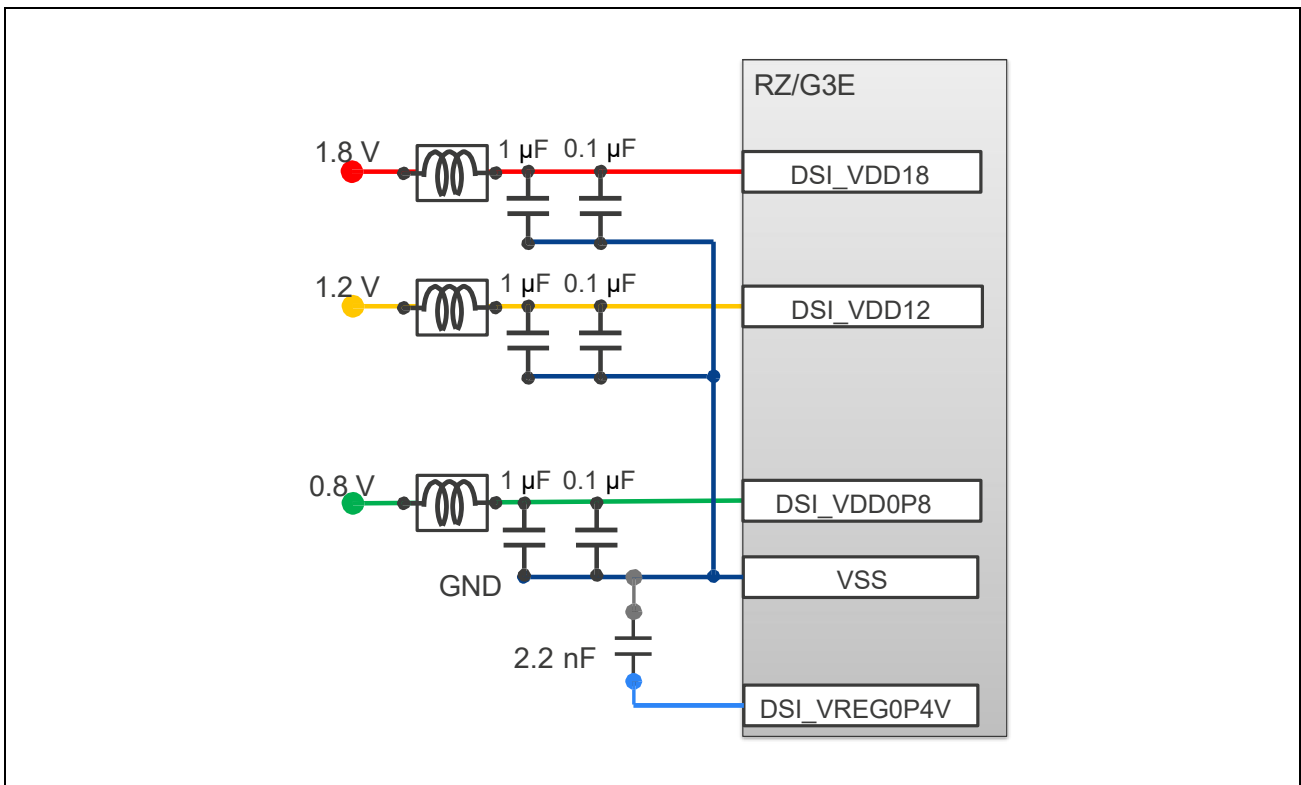


Figure 2.3 External Capacitors for MIPI DSI

3. USB 2.0

In this chapter, the design guideline about USB2.0 is described.

3.1 Signal Trace

3.1.1 General Guidelines

Give design priority to the high priority items marked with a check mark.

Table 3.1 Guidelines for PCB Signal Lines of USB 2.0

Items		Guidelines	Fig.	Notes
Line impedance		✓: Differential $90\Omega \pm 10\%$ Single-end $45\Omega \pm 10\%$	—	1
Line length difference	Between each pos. and neg.	✓: As the same length as possible ✓: Line length is as short as possible	—	2
Line bending		Recommended: External angle 45° (Prohibition: $> 45^\circ$)	—	—
Line layer	Between each pos. and neg.	Same layer	—	—
Numbers of via		<i>Note:</i> Recommended: Top layer without any vias Same via number (number is as few as possible)		
Line spacing	Between each pos. and neg.	At least 0.20 mm	(1) in Figure 1.2	—
	Between Diff. and next Diff.	At least 0.51 mm	(6) in Figure 1.3	—
	Between Diff. and other high speed clock and periodic signal	At least 1.27 mm <i>Note:</i> It is unnecessary when there are GND shields	—	—
	Between Diff. and other low speed / non-periodic signal	At least 0.51 mm <i>Note:</i> It is unnecessary when there are GND shields	—	—
Line width	Between each pos. and neg.	✓: As the same width as possible	—	—
Return path		Place Continuous Ground Plane under Diff.	(5) in Figure 1.2	—
		Place GND through-hole next to signal through-hole	—	—
		Place GND vias symmetrically next to Diff.		

Note 1. Priority should be given to differential impedance for characteristics.

Note 2. Target value of difference in wiring length: within a maximum of 1 mm.

3.1.2 Differential Signals

- Shorten the DP/DM wiring between the MPU and the connector. According to the USB Specification, the maximum latency from the downstream facing transceiver of the host or hub controller to the external downstream facing connector is 3 ns, and the maximum delay from the upstream facing connector to the upstream facing transceiver is 1 ns. Note that the delay value per length varies depending on the substrate material.
- DP/DM wiring should be of equal length, parallel, and equal width in the same layer.
- Make sure that the DP/DM wiring does not cross the power supply split or plane void. Also, do not intersect DP/DM wiring with other signals. When intersecting, sandwich the digital power plane or the GND plane.
- The number of bends in the DP/DM wiring should be kept as low as possible. When bending, do not bend at a right angle, but bend twice at 45 degrees.
- To prevent noise contamination, the DP/DM wiring should be bent and sullen to a minimum, and the DP/DM wiring should be in the GND plane.
- Shield both sides of the DP/DM wiring. Also, place the GND return via adjacent to the DP/DM via. The return path must be continuous at GND.
- The total value of the L/C/R of the USB20_DP/DM, including the MPU package, board wiring, and USB connector, should be 4 nH or less with an inductance of 4 nH or less, a capacitance of 5 pF or less, and a resistance of 1Ω or less.

3.1.3 Other Signals

The total value of the L/C/R of the USB20_OTG_ID, including the MPU package, board wiring, and USB connector, should be 4 nH or less with an inductance of 4 nH or less, a capacitance of 5 pF or less, and a resistance of 1Ω or less.

3.2 Power Supply

- Separate the digital power plane from the analog power plane.
- A large number of decoupling capacitors are strongly recommended for all power supplies.
- A ceramic capacitor with a low ESR of about 100 nF is recommended.
- The total value of the inductance and resistance values of the power supply wiring (USB2_USVDD33, USB20/21_USVDD18, and USB2_USDVDD), including the MPU package, board wiring, and USB connector, should be 4 nH or less and 1Ω or less of resistance.
- Wiring to the DVDD power supply should be as short as possible, and as many vias and contacts should be used.
- In order to minimize the impedance of each power supply wiring, use as wide and short a wiring as possible.
- Place the capacitors in ascending order of capacitance from the MPU to the regulator side. The recommended arrangement of capacitors for the USB2_USVDD33 and USB20_USVDD18 power supplies is 0.1 μF, 2.2 μF, 10 μF, and 47 μF. The recommended arrangement of capacitors for the USB2_USDVDD power supply is 0.01 μF, 0.1 μF, 2.2 μF, 10 μF, and 47 μF.
- The 0.01-μF, 0.1-μF, 2.2-μF, and 10-μF capacitors should be placed as close to the MPU as possible. The 47-μF capacitor is optional and can be further away.
- Consider using ferrite beads when supplying from one power supply to each power supply (USB2_USVDD33, USB20/21_USVDD18, and USB2_USDVDD). When using ferrite beads, do not use the power supply through the ferrite beads for anything other than USB 2.0. Also, connect the ferrite beads so that they are as close to the MPU as possible.
- The inductance on the PCB should be less than 1.1 nH. Refer to **Appendix A, Concept of Loop Inductance**.

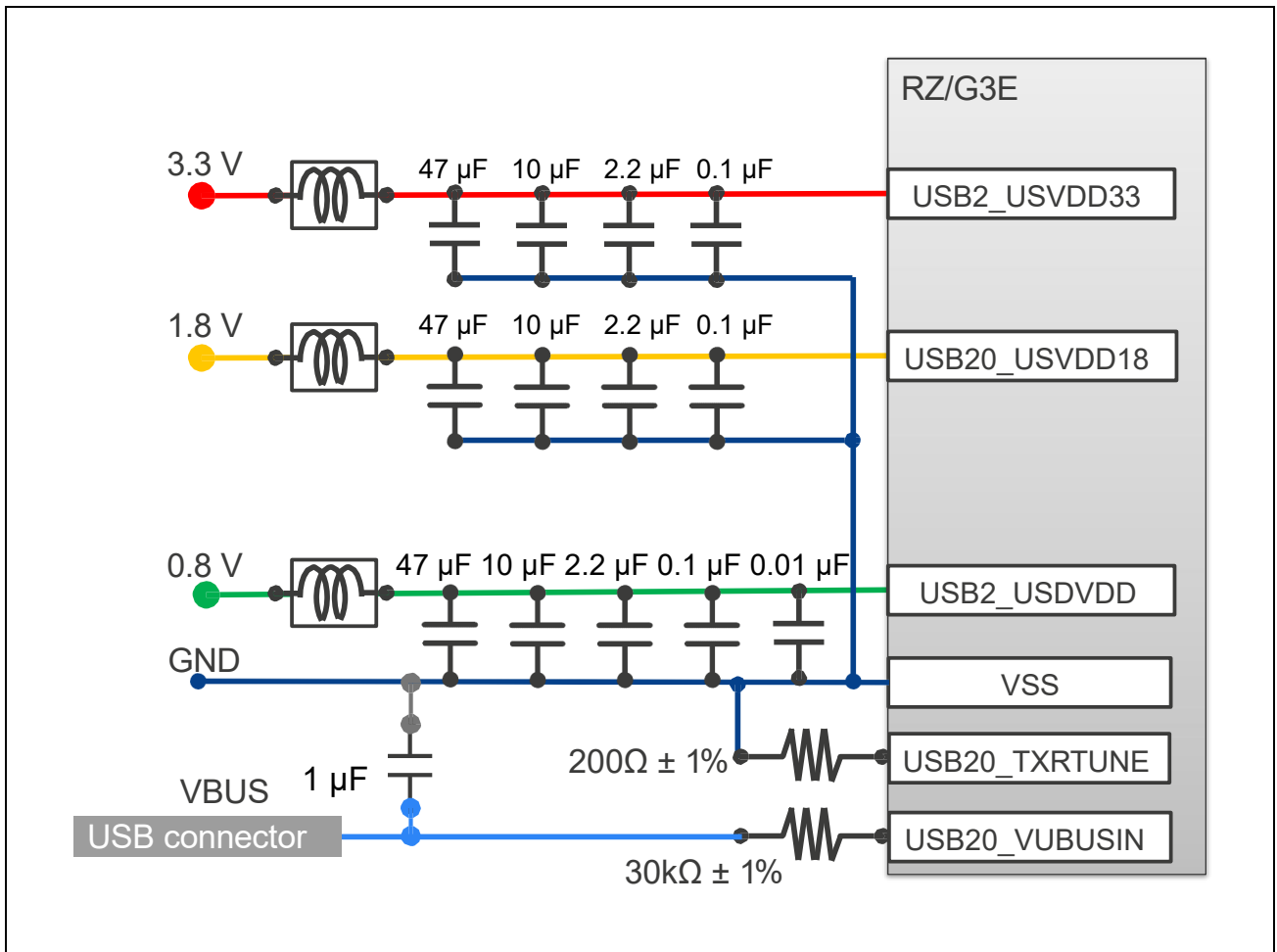


Figure 3.1 External Capacitors for USB 2.0

Note about Reverse Current through USB 2.0 Power Supplies

The reverse current can flow in the following two cases: when the VBUS is powered while the MPU is powered off, and when the USB is in suspend mode. Please take care of them according to your case with the following examples.

A load switch or similar component should be placed between the VBUS and the USB20_VUBUSIN so that 5 V is supplied from the VBUS to the USB20_VUBUSIN after the USB power supplies such as the USB2_USVDD33 and the USB20_USVDD18 are turned on. This prevents the reverse current via the USB20_VUBUSIN from flowing from the power supply terminal of the MPU to the power supply IC during the USB2_USVDD33 and the USB20_USVDD18 are turned off. (**Figure 3.2**)

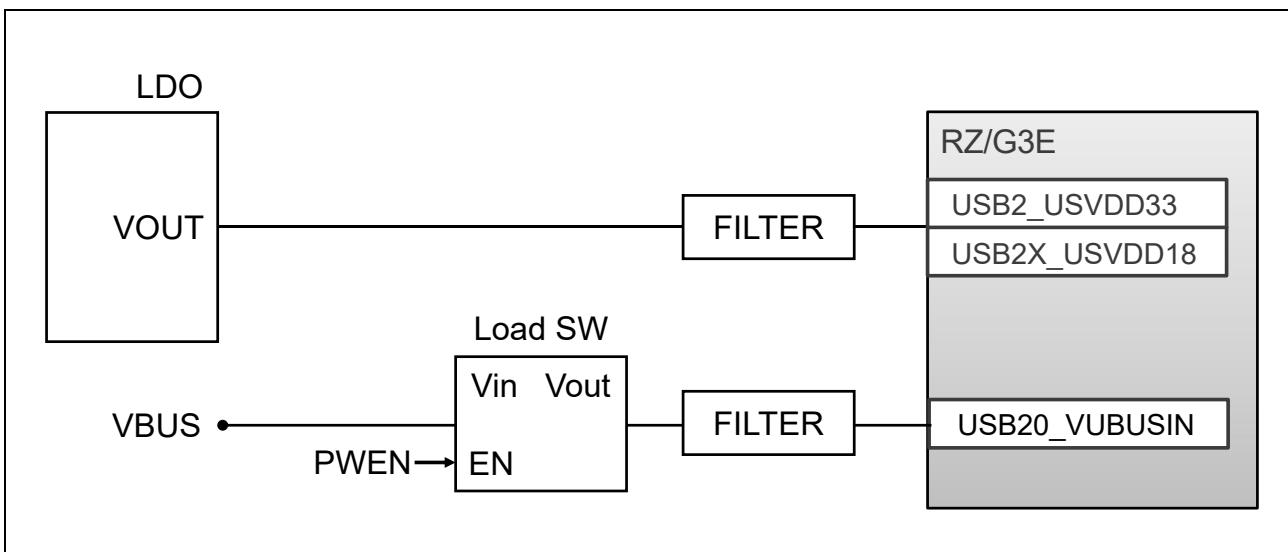


Figure 3.2 Reverse Current from the VBUS

If the USB2_USDVDD 0.8 V power supply is powered by a single power supply and is not shared with other 0.8 V power supplies, a 2.2-k Ω resistor should be placed between USB2_USDVDD and GND. This prevents the reverse current from flowing from the power supply terminal of the MPU to the power supply IC during USB suspend. (**Figure 3.3**) If the USB2_USDVDD is shared with other power supplies, the resistor is not needed because the leakage current flows to other power supply terminals (**Figure 3.4**).

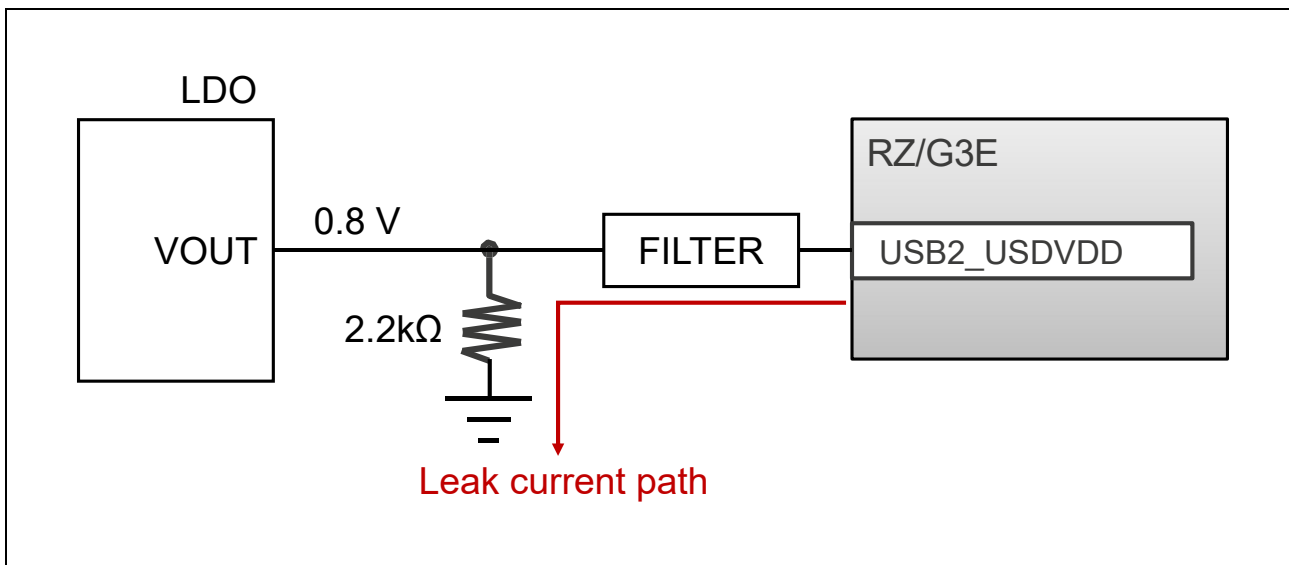


Figure 3.3 Reverse Current from USB2x_USDVDD without Branch

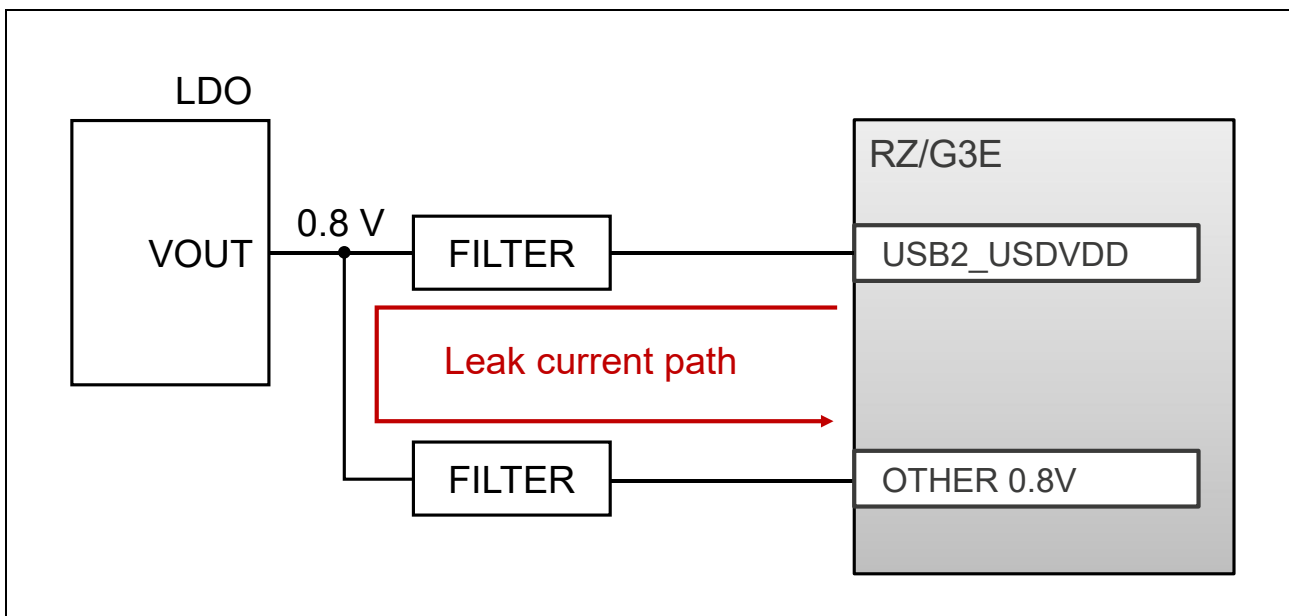


Figure 3.4 Reverse Current from USB2x_USDVDD with Branch

3.3 External Resistors

- A $30\text{k}\Omega \pm 1\%$ resistor should be placed on the USB20_VUBUSIN, and a $200\Omega \pm 1\%$ resistor on the USB20_TXRTUNE.
- Do not place the capacitance in parallel with an external resistor.
- Connect a $1\ \mu\text{F}$ capacitor to the USB connector to prevent chattering.
- The wire between TXRTUNE and the external resistor should be as thick as possible.
- The total L/C/R values of USB20_VUBUSIN and USB20_TXRTUNE, including the MPU package, board wiring, and USB connector, should be $4\ \text{nH}$ or less for inductance, $5\ \text{pF}$ or less capacitance, and $1\ \Omega$ or less for resistance.
- Signals that generate noise, such as clocks, should be kept away from USB20_TXRTUNE or shielded with ground.
In addition, cross-wiring is prohibited.
- The layer below the external resistor and wiring layer should be the GND plane.

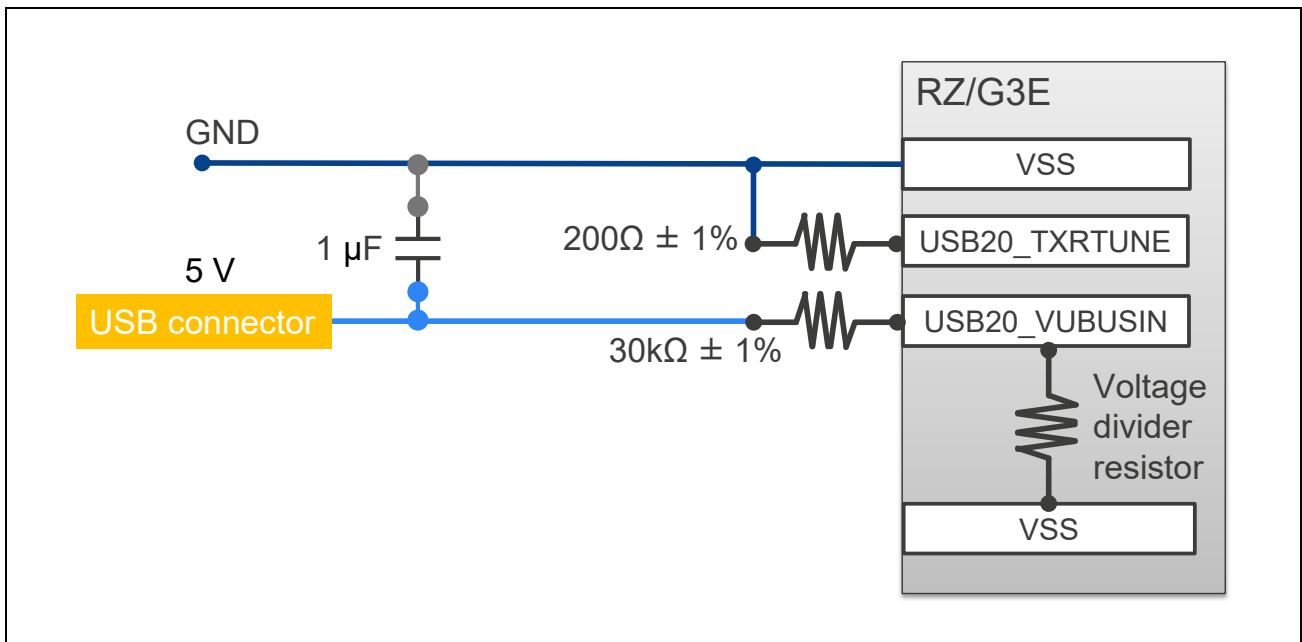


Figure 3.5 External Resistors for USB 2.0 for RZ/G3E

4. USB 3.2 Gen2

In this chapter, the design guideline about USB3.2 Gen2 is described.

4.1 Signal Trace

4.1.1 General Guidelines

Give design priority to the high priority items marked with a check mark.

Table 4.1 Guidelines for PCB Signal Lines of USB 3.2 Gen2

Items		Guidelines	Fig.	Notes
Line impedance		✓: Differential $90\Omega \pm 10\%$ Single-end $45\Omega \pm 10\%$	—	1
Line length difference	Between each pos. and neg.	✓: As the same length as possible ✓: Line length is as short as possible	—	2
Line bending		Recommended: External angle 45° (Prohibition: $> 45^\circ$)	—	—
Line layer Numbers of via	Between each pos. and neg.	Same layer <i>Note:</i> Recommended: Top layer without any vias Same via number (number is as few as possible)	—	—
Line width	Between each pos. and neg.	✓: As the same width as possible	—	—
Return path		✓: Place Continuous Ground Plane under Diff. Place GND through-hole next to signal through-hole Place GND vias symmetrically next to Diff.	(5) in Figure 1.2	—

Note 1. Priority should be given to differential impedance for characteristics.

Note 2. Target value of difference in wiring length: within a maximum of 0.25 mm.

4.1.2 Differential Signal

- To avoid crosstalk, route the Tx and Rx pairs in different layers. When routing in the same layer, the distance between the Tx pair and the Rx pair should be at least six times the height of the dielectric on the PCB, and the crosstalk should be less than -30 dB.
- Place an AC-coupling capacitance of 0.1 μF near the TX pin of the MPU and the opposing device.

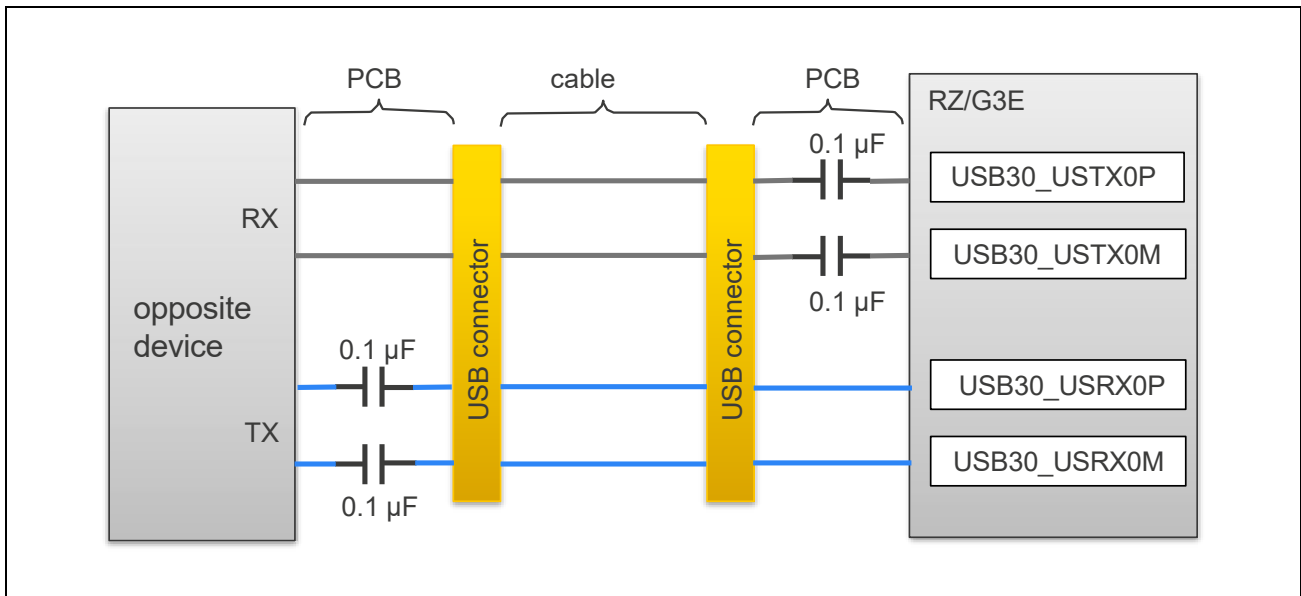


Figure 4.1 Differential Signals of USB 3.2 Gen2 for RZ/G3E

- Consider using thinner core substrates such as 400 μm , if feasible.
- Place GND return vias adjacent to the differential pair vias.
- The return path should be continuous with GND.
- To reduce signal reflections, provide a cutout of the GND plane under the pad of the AC-coupling capacitance.
- Do not allow differential pair wiring to cross power supply splits or plane voids.

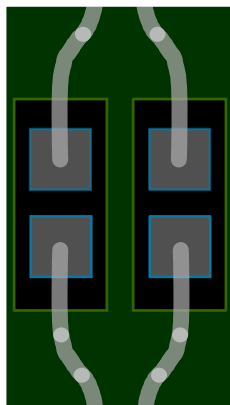


Figure 4.2 Cutout of the GND Plane under the Pads of the AC-Coupling Capacitors

4.2 Power Supply

- Each USB 3.2 power supply (USB30_USVPH and USB20_USVPTX) is an IP-only power supply. If these power supplies are supplied from a single power supply, it is recommended to use ferrite beads. When using ferrite beads, do not use the power supply through the ferrite beads for anything other than USB 3.2. Place ferrite beads as close to the MPU as possible.
- Place the capacitors in ascending order of capacitance from the MPU to the regulator side. The recommended arrangement of capacitors for each power supply is 0.01 μF , 0.1 μF , 4.7 μF , 10 μF , and 47 μF .
- The 0.01- μF and 0.1- μF capacitors should be placed as close to the MPU as possible. The 47- μF capacitor is optional and can be further away.
- Do not place noise sources such as memory near GND.
- In order to minimize the impedance of each power supply wiring, make the wiring as wide and short as possible.
- Place the USB30_USVPH/USB30_USVPTX vias and VSS vias next to each other as pairs.
- All power supplies should be designed as planes.
- The inductance on the PCB should be less than 1.2 nH. Refer to **Appendix A, Concept of Loop Inductance**.
- For information on how to verify ripple noise, refer to the separate document that provides the package S-parameters, CPM, and verification environment.

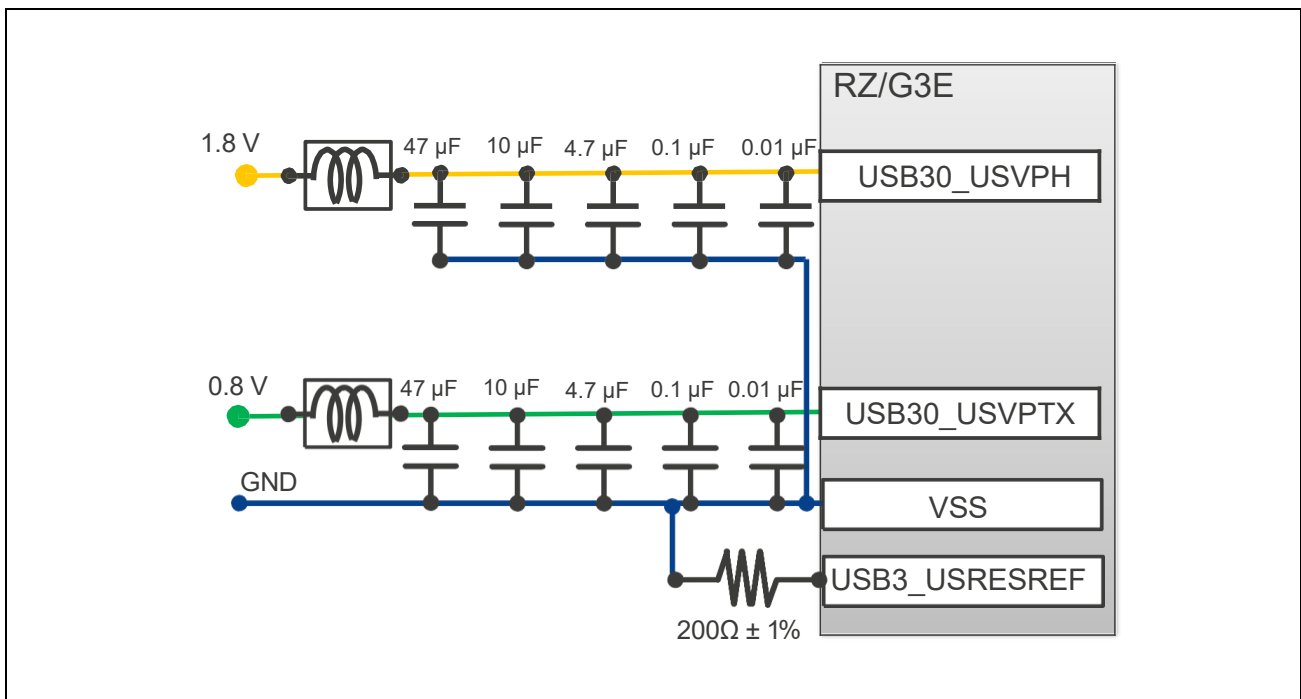


Figure 4.3 External Capacitors for USB 3.2 Gen2

4.3 External Resistors

- Connect $200\Omega \pm 1\%$ to the RESREF pin. Do not place the capacitance in parallel with an external resistor.
- The board routing from RESREF to the external resistor should be as thick as possible, and the capacitance value of RESREF, including the package and board routing, should be less than 10 pF.
- The GND connected to the external resistor should be as close as possible to the VSS voltage.
- Signals that generate noise, such as clocks, should be kept away from RESREF or shielded with ground. Also, make sure that their wires do not intersect.
- The layer under the external resistors and wiring should be the GND plane.

5. PCI Express 3.0

In this chapter, the design guideline about PCI Express 3.0 is described.

Applicable Standard

For general information on electrical and transfer path characteristics, and on connector specifications required in designing a PCB, refer to the specifications issued by the standards certification bodies listed in the table below.

Table 5.1 Standard Applicable to PCI Express

Standards Certification	Title of Specification
PCI-SIG	PCI Express® Base Specification Revision 4.0
	PCI Express Card Electromechanical Specification Revision 4.0

5.1 Signal Trace

5.1.1 General Guidelines

For the basic design of differential wiring patterns, refer to the guidelines issued by the PCI-SIG at the link given below. The information is relevant regardless of whether the standard being implemented is PCI-Express generation 1, 2, or 3. The relevant descriptions are mainly given in the section, Layout considerations.

Note that the differential impedance value along the transfer path (differential wiring pattern) differs with the module, that is, according to whether it is PCI-Express generation 1, 2, or 3.

- Board Design Guidelines for PCI Express™ Architecture
(Please download from <https://members.pcisig.com/>)

5.1.2 Differential Signals

- Place an AC-coupling capacitance of 0.2 μF near the TX pin.
- Match the wire lengths so that there is no skew in the differential signals.
- To minimize losses, keep traces as short as possible.
- For all high-speed signals, use wider traces.
- Do not bend the wiring at 90 degrees, but bend it twice at 45 degrees.
- Keep signal traces and clock signal traces away from noise sources, including other signal traces.
- Avoid layer changes with vias as much as possible. If vias are used to trace differential signals, both wires should have the same number of vias.
- The traces should have the same width, be parallel, and be routed on the same layer. The top or bottom layer is recommended.
- Make sure that the wiring does not cross the power supply split or plane void.
- Make sure you have enough space from the edge of the signal trace to the void area of the edge. Leave at least more than the signal trace width.
- Refer to the PCI Express Architecture Board Design Guidelines published by the PCI-SIG.

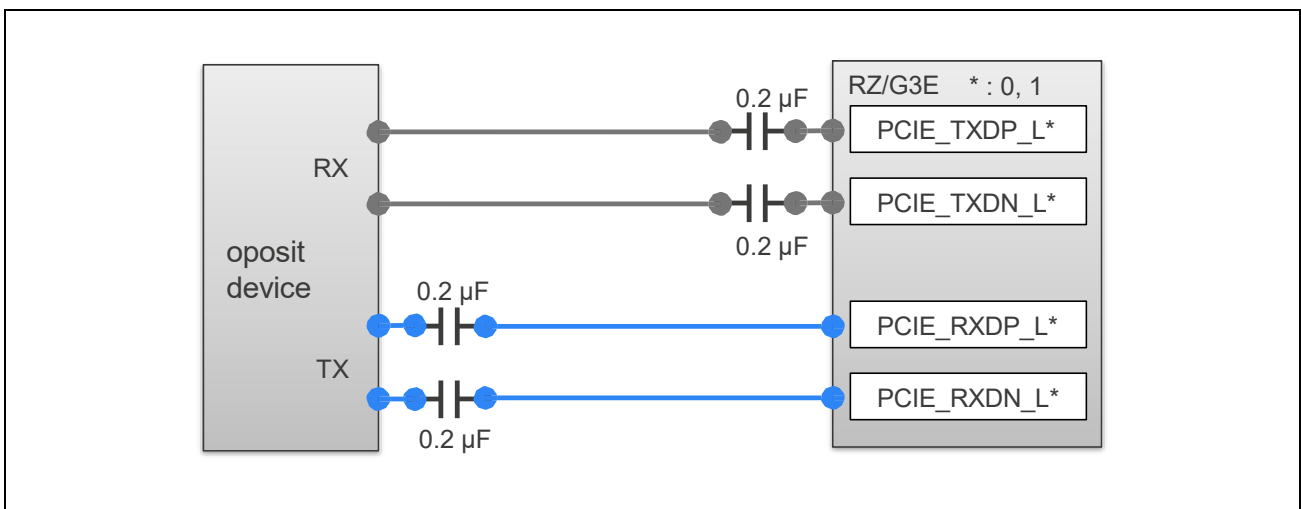


Figure 5.1 Topology of PCIe 3.1

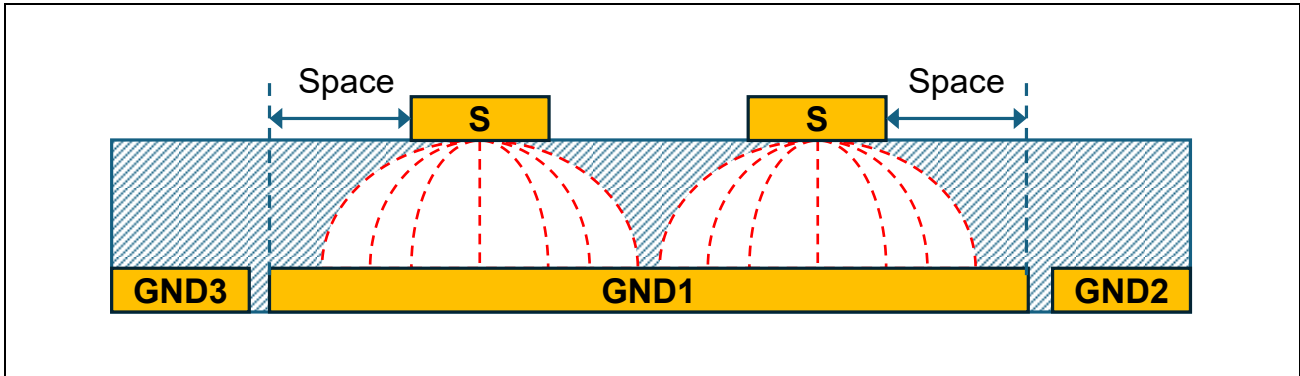


Figure 5.2 Sufficient Space of Reference Ground Plane

- It is recommended that TX and RX wirings be designed with a typical $85\Omega \pm 5\%$ differential impedance and a typical $42.5\Omega \pm 5\%$ single-ended impedance. In addition, priority should be given to differential impedance for characteristics.
- To maximize the signal electrical performance of differential signals, it is recommended to use backdrilled or blind vias instead of through-vias.
- The land of the differential signal should be in the shape of a teardrop.
- Place the GND vias between the TX pair and the RX pair. When the vias of the TX pair and the vias of the RX pair are orthogonal to each other, magnetic coupling can be reduced and near-end crosstalk can be minimized.

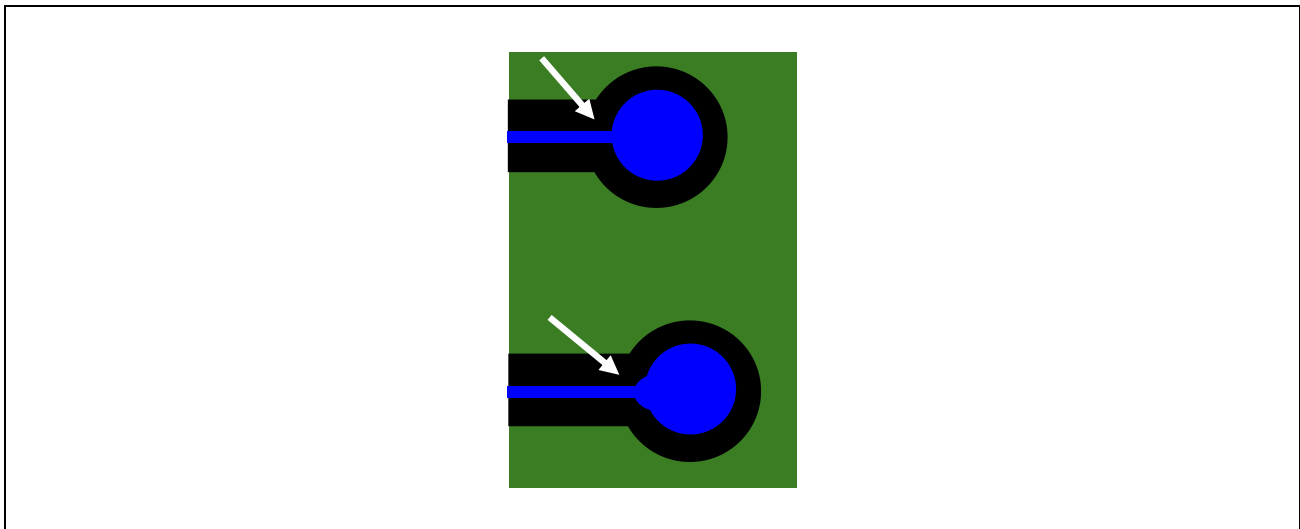


Figure 5.3 Teardrop Shape of Lands and Vias

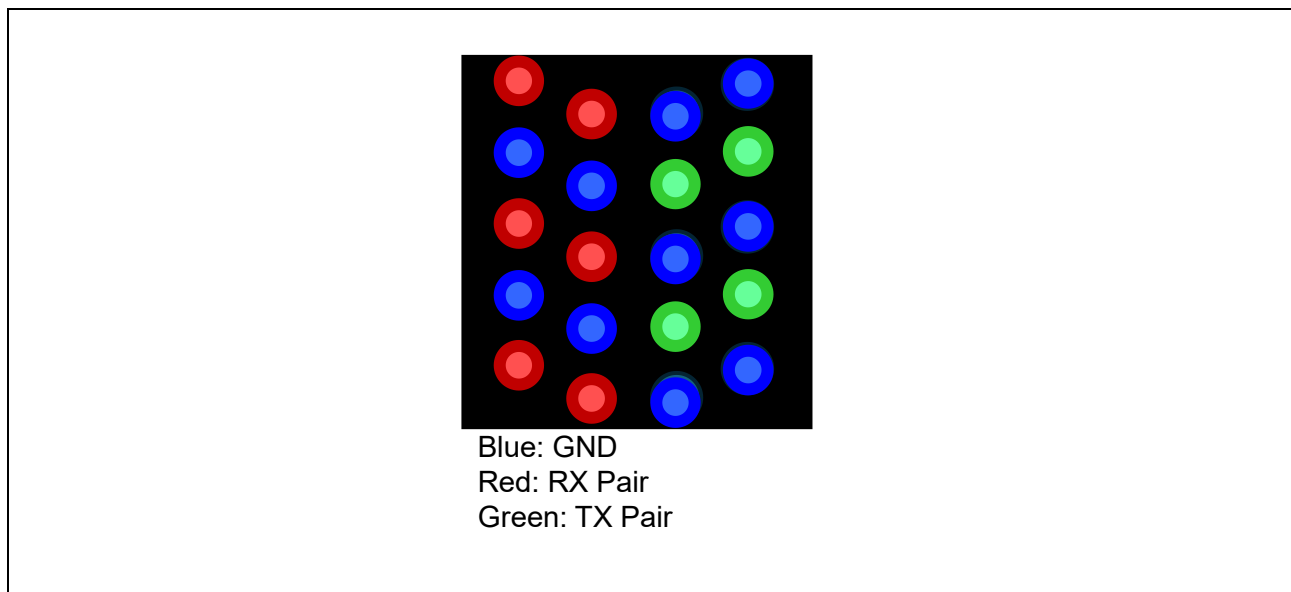


Figure 5.4 Example of Via Pattern

5.2 Power Supply

- Place the low ESR decouple capacitor as close to the power supply as possible.
- Each PCIe power supply (PCIE_VCC18ACMN, PCIE_VCC18AL01 and PCIE_VCC08AL01) is an IP-only power supply. If you want to share the power supply of the source with other power sources, consider using ferrite beads. When using ferrite beads, do not use power supplies through ferrite beads for anything other than PCIe.
- The power supply should be connected to the power plane or ground plane with short, wide wires to ensure low inductance.
- It is recommended to perform inductance calculations to guarantee proper operation of the PCIe interface.
- The inductance on the PCB should be less than 1.2 nH. Refer to **Appendix A, Concept of Loop Inductance**.

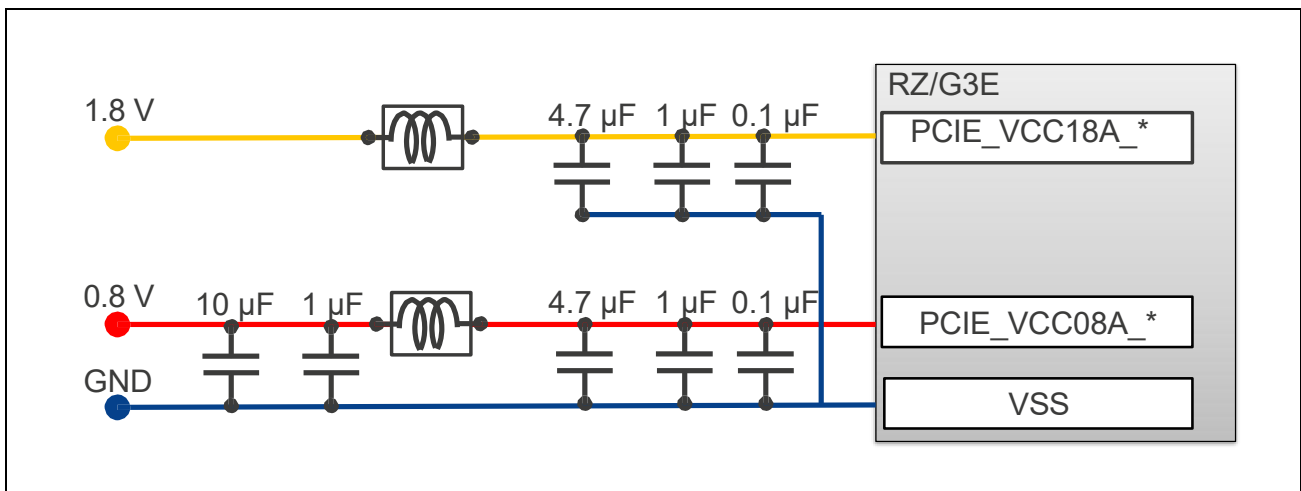


Figure 5.5 External Capacitors for PCIe 3.0

5.3 Clock Input

- The differential clock input should be terminated with 50Ω referenced to VSS.
- Provide a common reference clock to the MPU and the opposing device.
- It is recommended that clock wiring be designed with a typical $100\Omega \pm 10\%$ differential impedance.

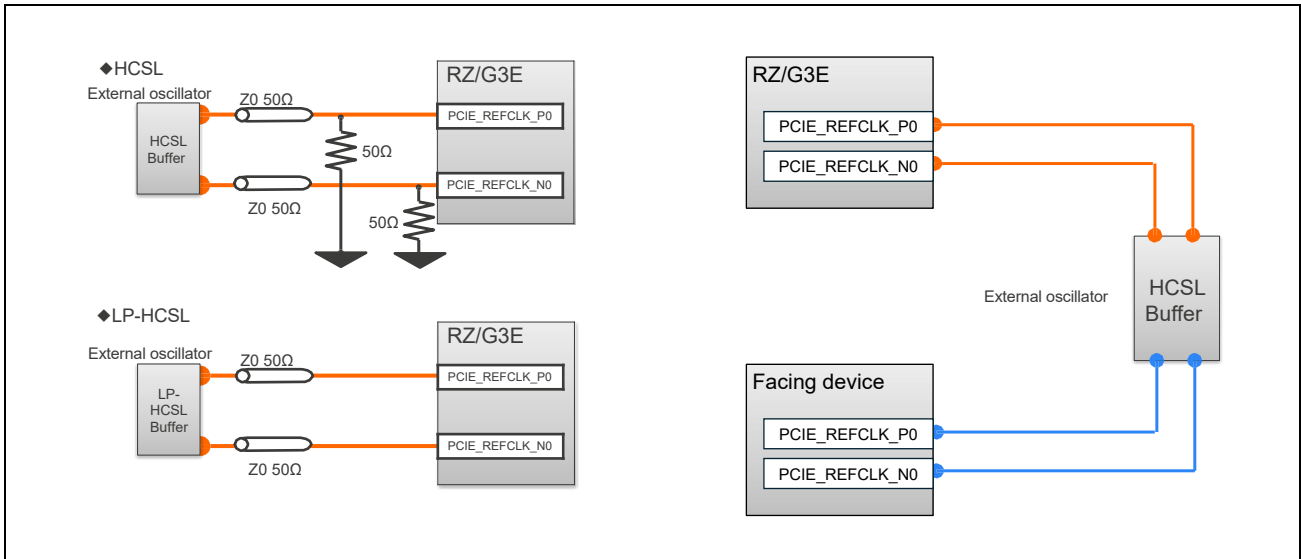


Figure 5.6 Clocking Configurations

6. 12-Bit A/D Converter

In this chapter, the design guideline about A/D Converter is described.

6.1 Power Supply

- ADAVDD18 should have decoupling capacitors with a value of at least 1 μF and 0.1 μF to 10 μF capacitors near the MPU. These capacitors must be placed on the same GND plane of the ADAVSS18.
- Analog inputs (ANI000 to 007) should have traces for equal resistance and capacitance on the PCB level. Shielding of signals is highly recommended with ADAVSS18.
- Analog inputs (ANI000 to 007) should not cross or run parallel to any fast changing signals like digital ones or the clock input.
- The ferrite beads should be connected as close as possible to the LSI.

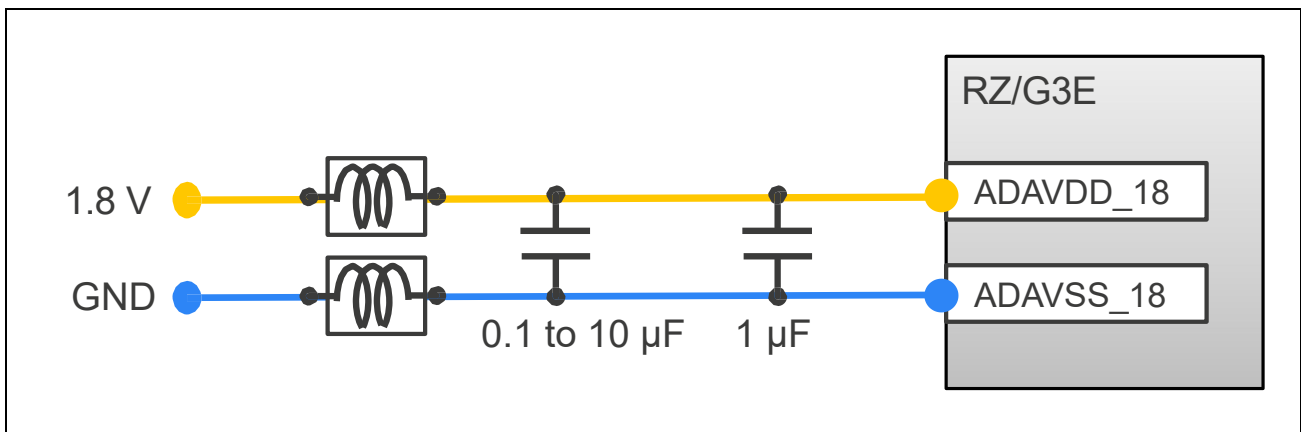


Figure 6.1 External Capacitors for A/D Converter

7. PLL

In this chapter, the design guideline about A/D Converter is described.

7.1 Power Supply

- Ceramic capacitors (0.1 μF) should be placed close to the MPU.
- The traces for the ceramic capacitors (0.1 μF) should be wide and short (less than 2 mm).
- If the power supply is shared with other IP power supplies, consider using the ferrite bead.

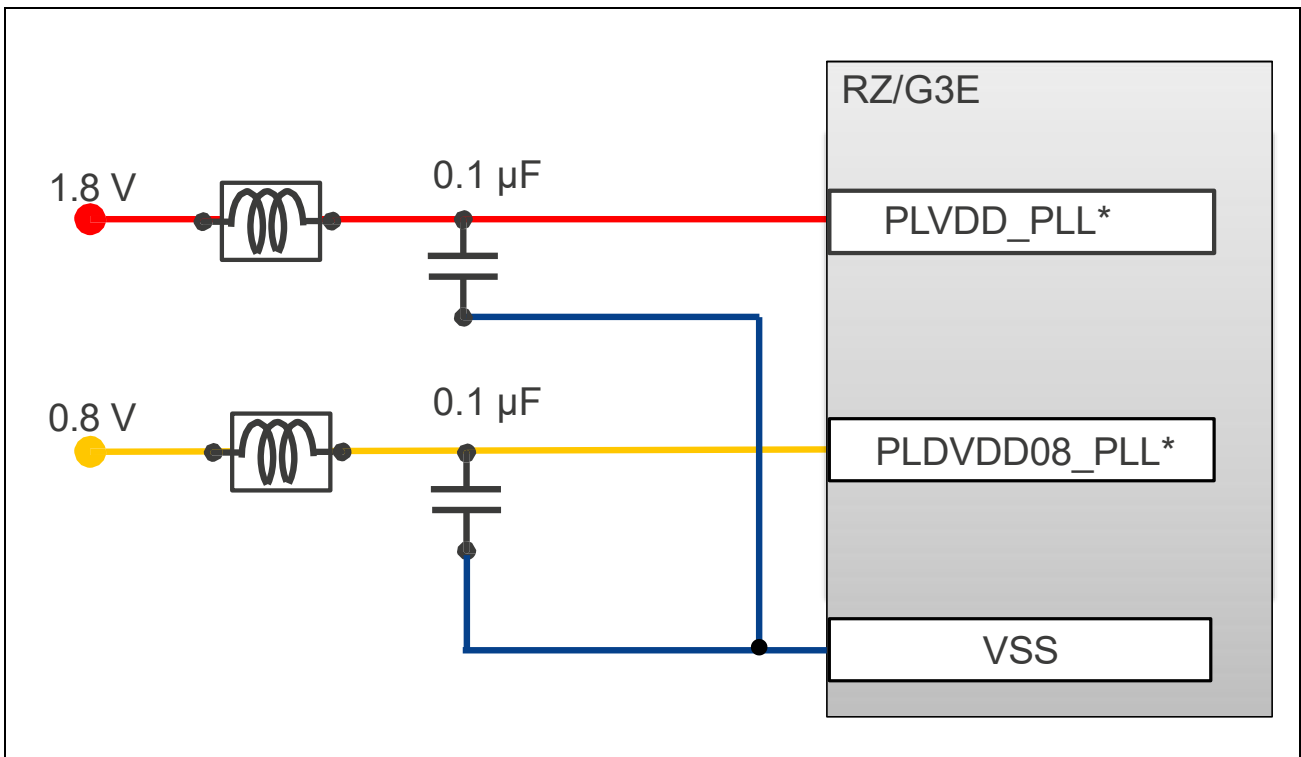


Figure 7.1 External Capacitors for PLL

8. OSC

8.1 Signal Trace

8.1.1 Crystal Frequency at 32.768 kHz

- The trace should be used in the top layer of the board (shielded with GND).
- The GND shields should be placed in the lower layer of the board.
- The trace should not be used in the middle layer of the board.
- The trace length from RTXIN/RTXOUT to crystal should be no greater than 10 mm.
- The trace width of RTXIN/RTXOUT should be 0.1 to 0.3 mm.
- RTXIN/RTXOUT should be more than 0.3 mm away from other signals.
- The space between X1 and X2 should be more than 0.3 mm.

Table 8.1 32.768 kHz

Trace Capacitance CX12	Max. Load Capacitance CL1	Max. Load Capacitance CL2
0 pF	25 pF	25 pF
1 pF	23 pF	23 pF
2 pF	21 pF	21 pF
3 pF	19 pF	19 pF
4 pF	17 pF	17 pF
5 pF	15 pF	15 pF

Note: $CL = (CL1 \times CL2) / (CL1 + CL2) + CX12$
Max. CL: Less than 12.5 pF at 32.768 kHz

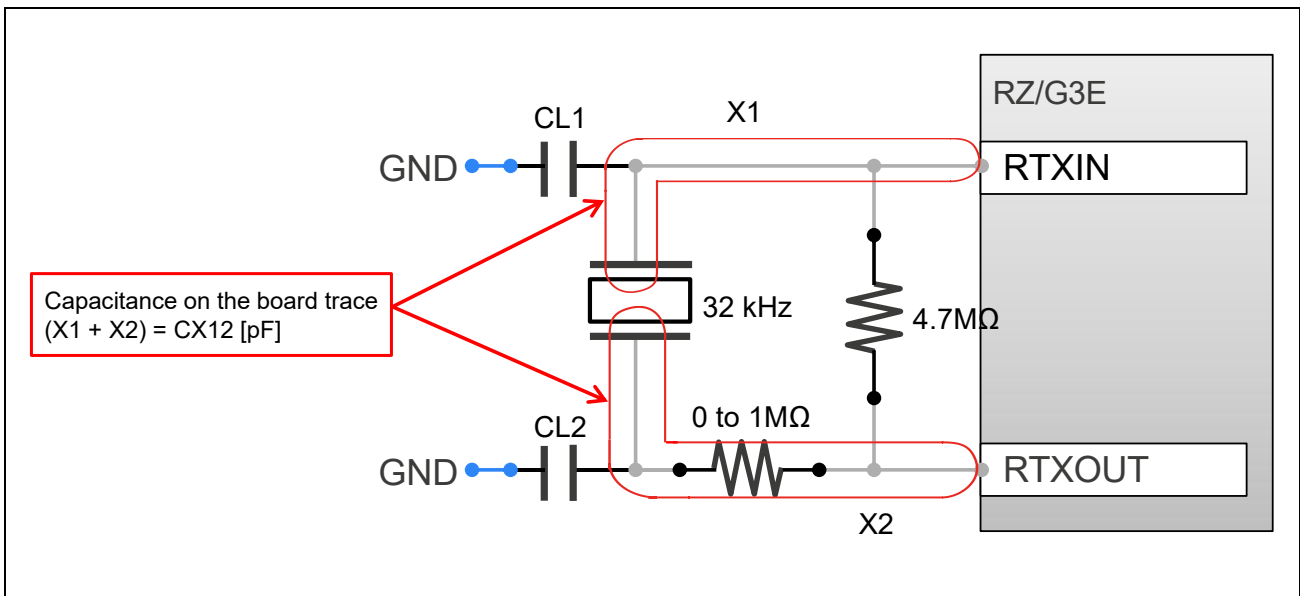


Figure 8.1 RTC Clock OSC Design Guideline

8.1.2 Crystal Frequency at 24 MHz

- Ceramic capacitors (0.1 μ F) should be placed close to the MPU.
- The trace should be used in the top layer of the board (shielded with GND).
- The GND shields should be placed in the lower layer of the board.
- The trace should not be used in the middle layer of the board.
- The maximum trace-length from QEXTAL/QXTAL to crystal should be no greater than 10 mm.
- The trace width of QEXTAL/QXTAL should be 0.1 to 0.3 mm.
- QEXTAL/QXTAL should be more than 0.3 mm away from other signals.
- The space between X1 and X2 should be more than 0.3 mm.

Table 8.2 24 MHz

Trace Capacitance CX12	Max. Load Capacitance CL1	Max. Load Capacitance CL2
0 pF	24 pF	24 pF
1 pF	22 pF	22 pF
2 pF	20 pF	20 pF
3 pF	18 pF	18 pF
4 pF	16 pF	16 pF
5 pF	14 pF	14 pF

Note: $CL = (CL1 \times CL2) / (CL1 + CL2) + CX12$
Max. CL: Less than 12.5 pF at 24 MHz

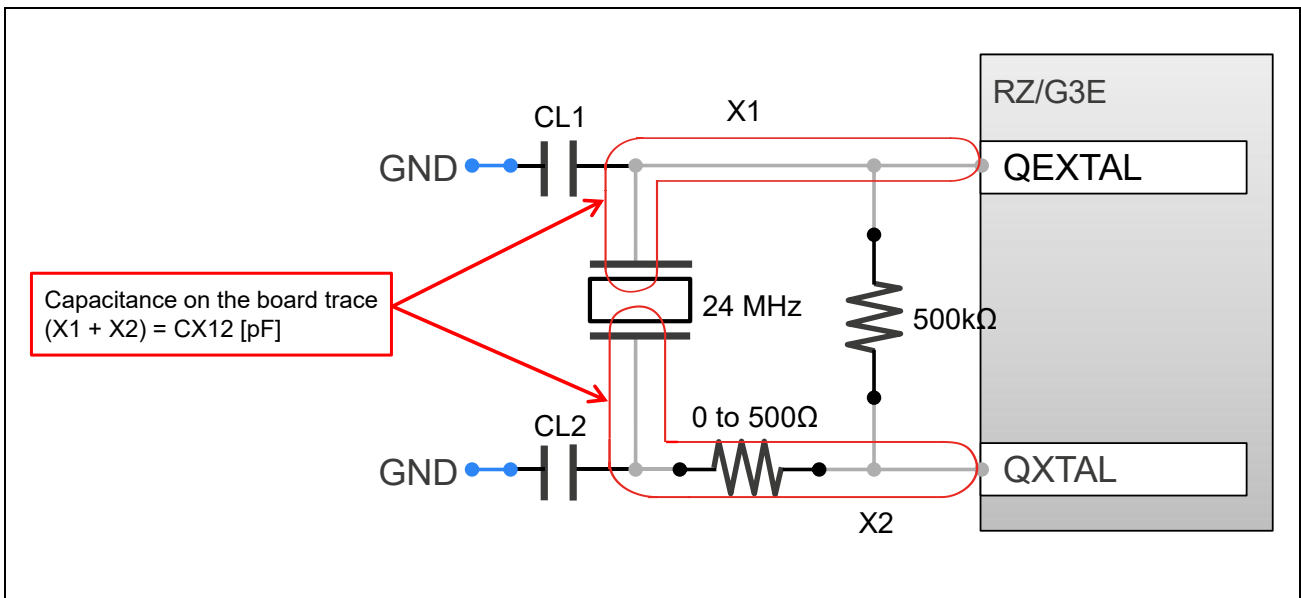


Figure 8.2 System Clock OSC Design Guideline

8.1.3 Crystal Frequency at 48 MHz

- Ceramic capacitors (0.1 μF) should be placed close to the MPU.
- The trace should be used in the top layer of the board (shielded with GND).
- The GND shields should be placed in the lower layer of the board.
- The trace should not be used in the middle layer of the board.
- The maximum trace-length from AUDIO_EXTAL/AUDIO_XTAL to crystal should be no greater than 10 mm.
- The trace width of AUDIO_EXTAL/AUDIO_XTAL should be 0.1 to 0.3 mm.
- AUDIO_EXTAL/AUDIO_XTAL should be more than 0.3 mm away from other signals.
- The space between X1 and X2 should be more than 0.3 mm.

Table 8.3 48 MHz

Trace Capacitance CX12	Max. Load Capacitance CL1	Max. Load Capacitance CL2
0 pF	20 pF	20 pF
1 pF	18 pF	18 pF
2 pF	16 pF	16 pF
3 pF	14 pF	14 pF
4 pF	12 pF	12 pF
5 pF	10 pF	10 pF

Note: $CL = (CL1 \times CL2) / (CL1 + CL2) + CX12$
Max. CL: Less than 10 pF at 48 MHz

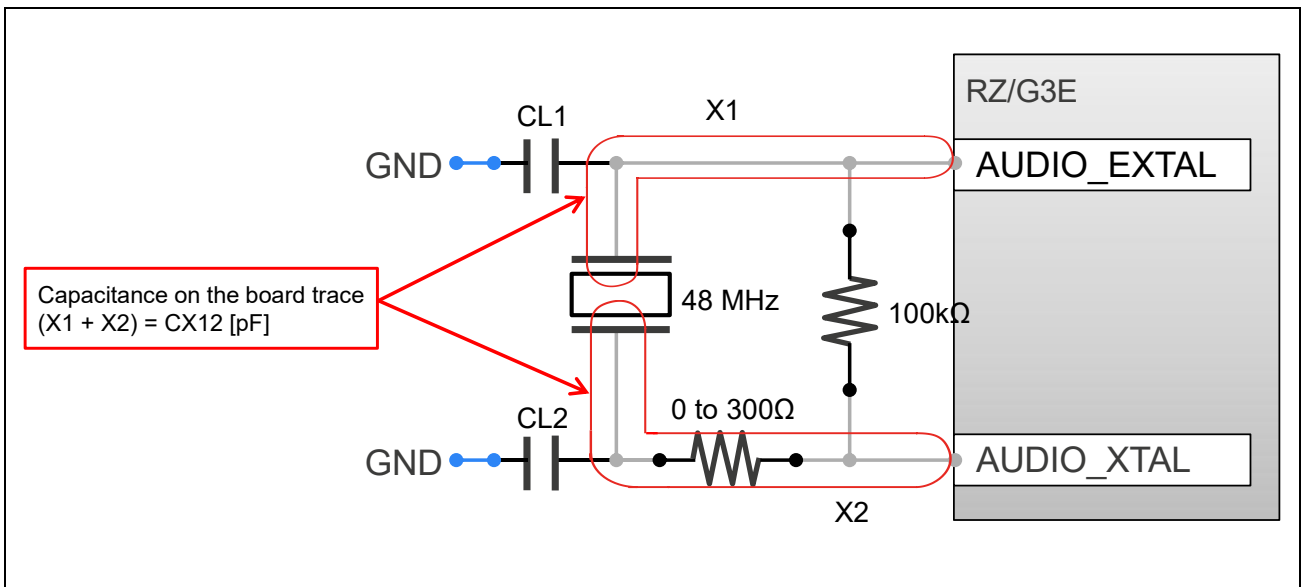


Figure 8.3 Audio Clock OSC Design Guideline

Example of OSC Board Pattern

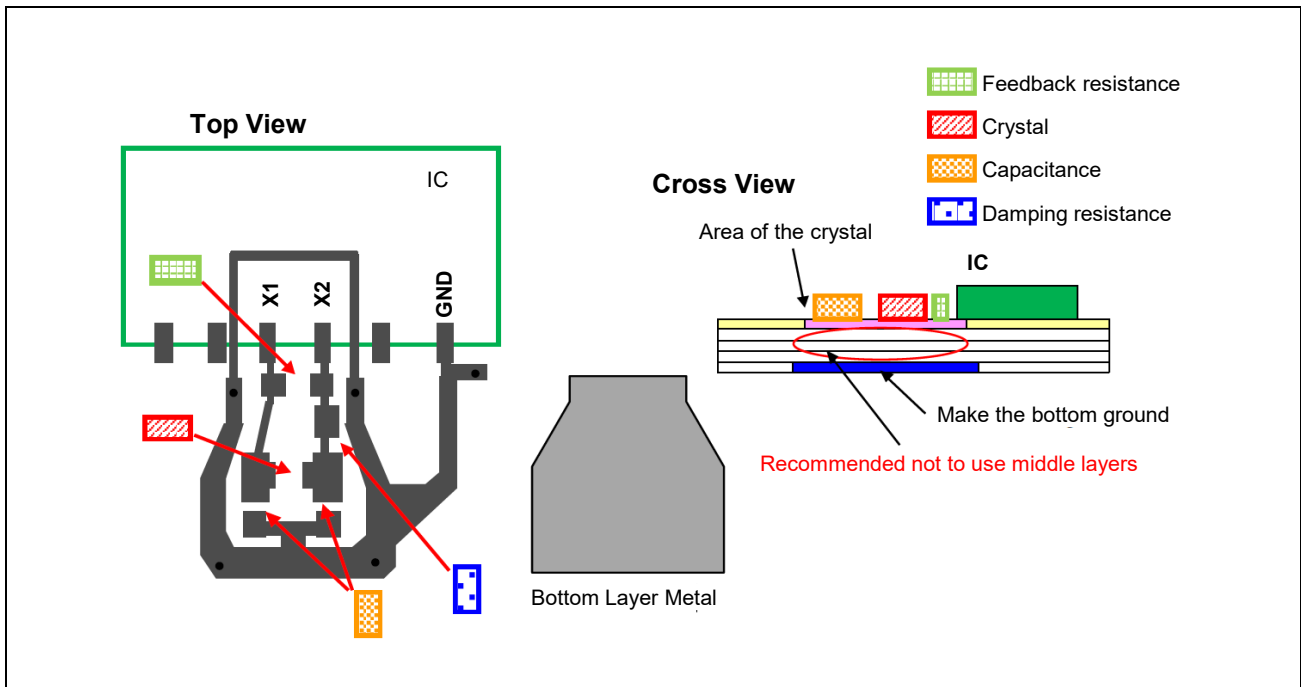


Figure 8.4 Board Pattern Image for Stable Oscillation

9. Modeling

Perform a simulation with a frequency range up to 10 GHz in the case of extracting S parameters.

Appendix A Concept of Loop Inductance

Loop Inductance Requirements

Renesas strongly recommends performing loop inductance calculations to guarantee proper operation.

The loop inductance can be calculated using the following formula:

$$L_{\text{loop}} = L_{\text{pwr}} + L_{\text{gnd}}$$

Figure A.1 illustrates the loop formed by the PCB trace and the closest decoupling capacitor.

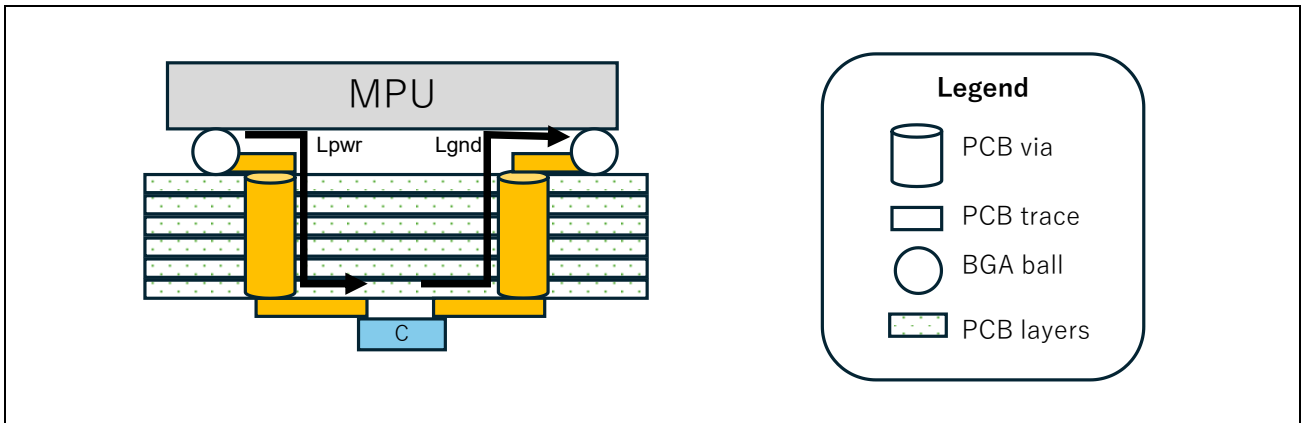


Figure A.1 Concept of Loop Inductance

Loop Inductance Extraction Methodology

The inductance of the loop formed by the PCB traces to the closest decoupling capacitor can be modeled directly or indirectly. Refer to the following descriptions for details.

Direct Modeling

Direct modeling can be done with a parasitic extractor (e.g., Ansys Q3D).

Figure A.2 illustrates direct modeling.

Designate the BGA ball as the source and the decoupling capacitor pad as the sink.

If there are multiple BGA balls for a specific power or ground net, merge them together in parallel to calculate a single equivalent source-to-sink inductance value.

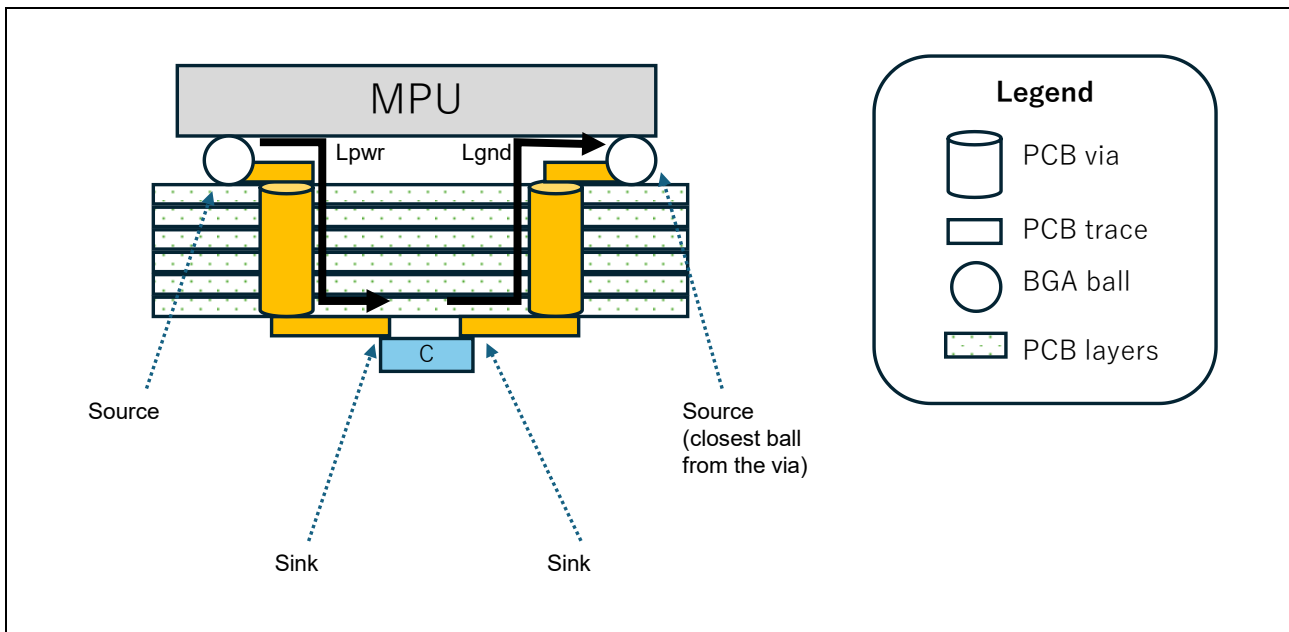


Figure A.2 Concept of Direct Modeling

Indirect Modeling

Indirect modeling can be performed using 2.5D (e.g., Ansys SIwave) or 3D (e.g., Ansys HFSS) tools.

To achieve greater accuracy in modeling, it is recommended to use 3D simulation, as 2.5D simulation only considers the vertical dimension of vias, neglecting other 3D effects.

Figure A.3 illustrates indirect modeling.

Create a 2-port S-parameter model representing the power and ground net.

Also, create an RL lumped model to approximate the net's impedance.

Excite both models with a current source and perform AC simulations and compare responses magnitudes.

Run AC simulation and probe the magnitude of the net connected to the current source.

Adjust the inductance and resistance values of the lumped model to align its frequency response with that of the S-parameter model.

Figure A.4 shows the fitted lumped model response compared to the S-parameter model response.

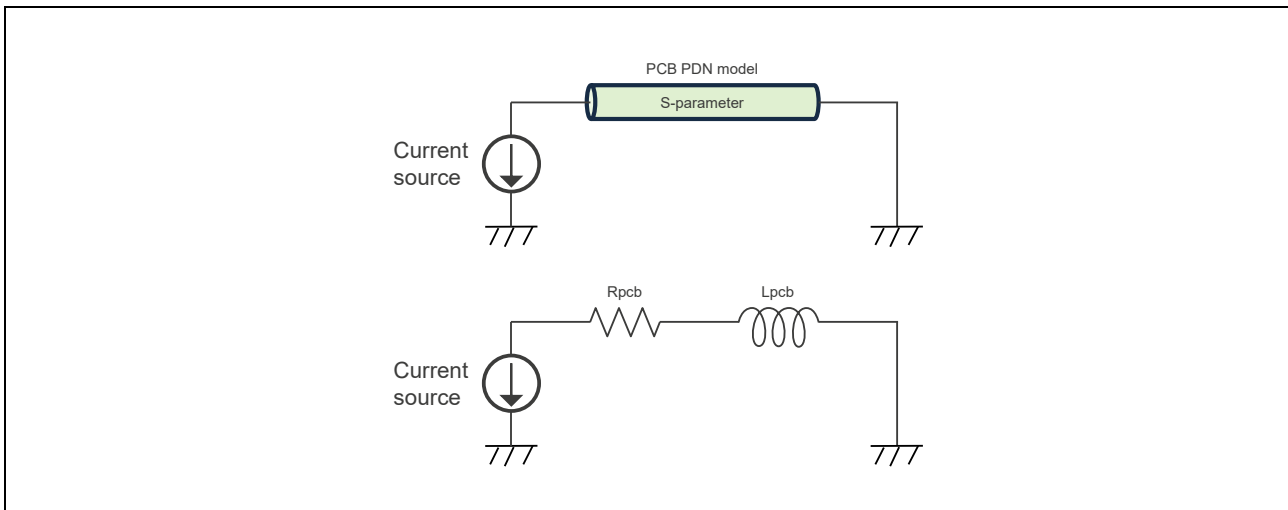


Figure A.3 Simulator Circuit for Indirect Modeling

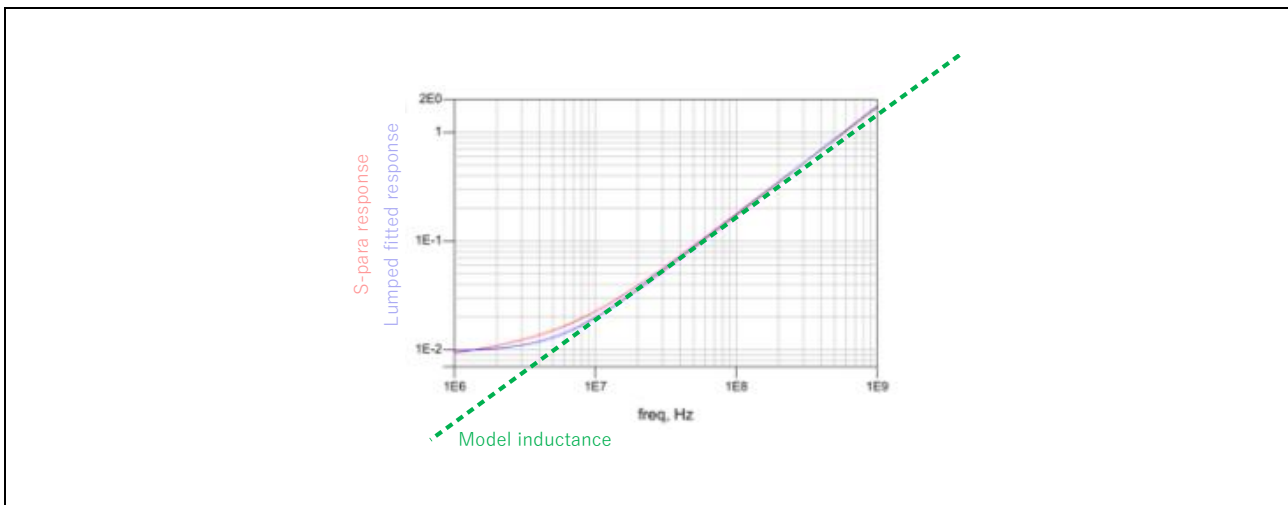


Figure A.4 Fitted Lumped vs S-Parameter Model Response

Appendix B EMI/ESD Protection

Notes on EMI/ESD protection are described below.

When components for EMI/ESD protection such as coils and diodes are mounted on the USB transmission lines, they should be allocated near the USB transmission lines and the wiring should be as short as possible.

The components for EMI/ESD protection must be USB 2.0 High-Speed compliant. By mounting EMI/ESD protection components, an inconsistent impedance may occur on the USB transmission lines, and the waveform may become distorted. Components for use should be selected after thorough evaluation.

Figure B.1 shows an example connection when the components for EMI/ESD protection are used.

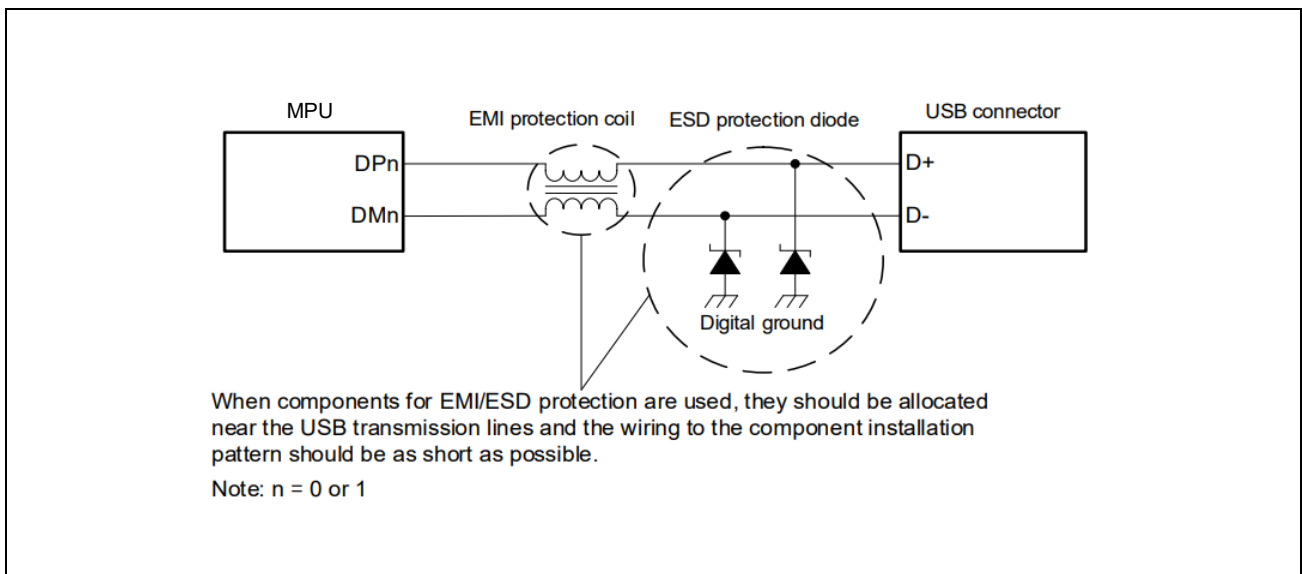


Figure B.1 Connection Example of Components for EMI/ESD Protection

Appendix C Guidelines for Traces

Reference Plane

Signals should be routed on the GND plane and should not cross planes, PLANE VOIDS, or anti-pads as these can cause high frequency currents.

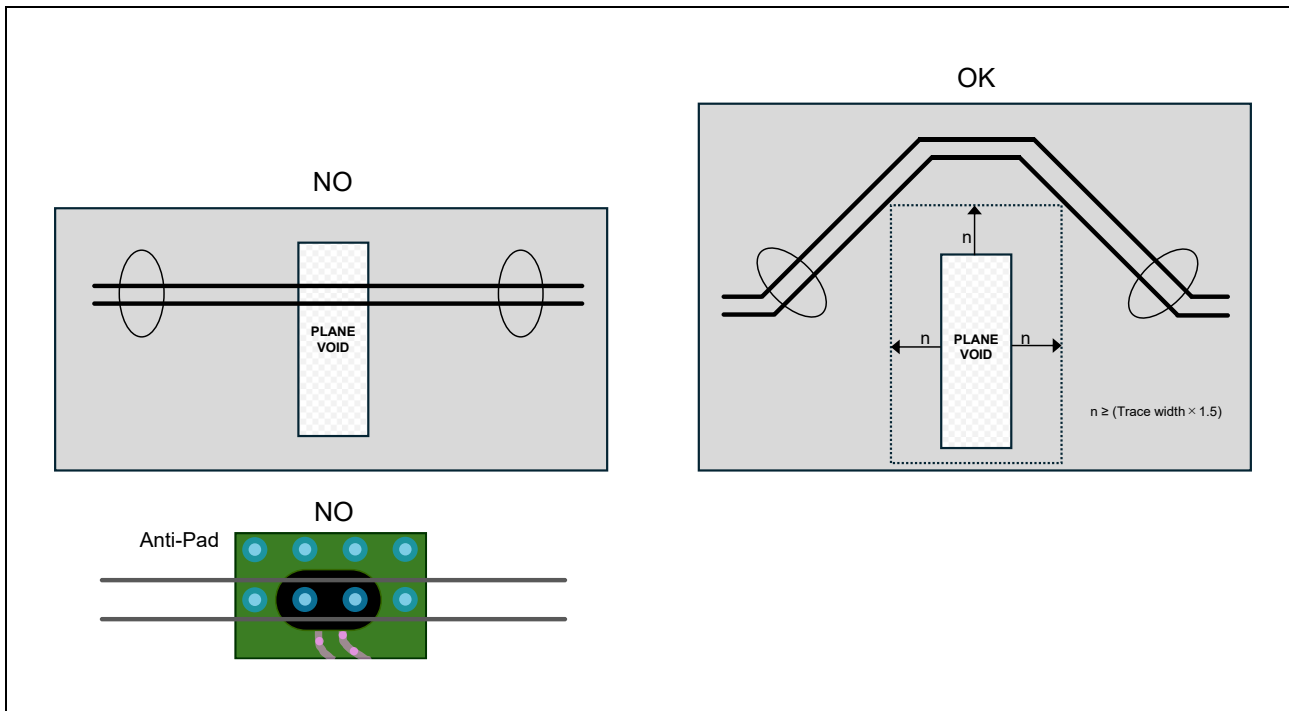


Figure C.1 Plane Void and Anti-Pad

If the signal needs to cross different GND planes, connect them with stitching capacitors. It can prevent high-frequency currents in the return path. The stitching capacitor should have a capacitance of 1 μF or less and should be placed as close as possible to where it crosses the plane.

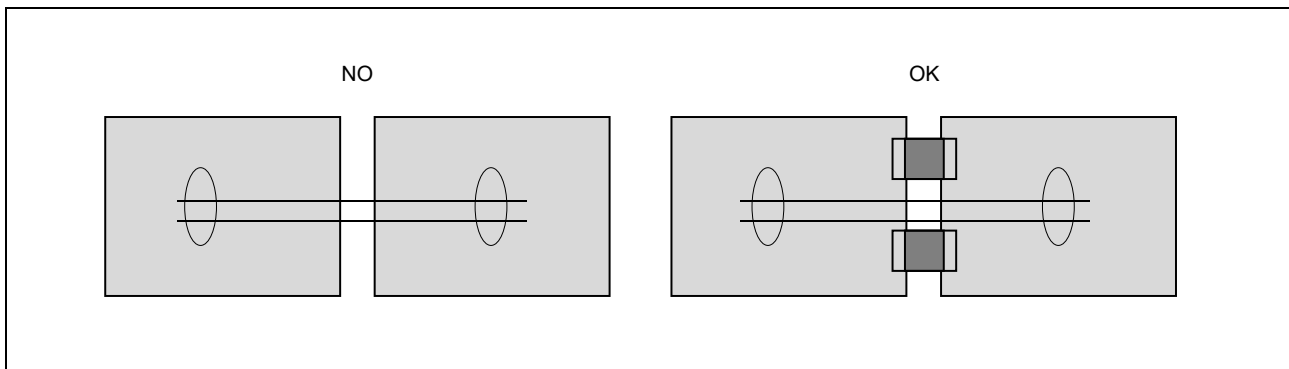


Figure C.2 Crossing Different GNDs

Wire Length Matching

Differential signals should be wired equally. To eliminate differential noise, match at the end of the line, not at the start point. The wire lengths of different differential signals do not need to match.

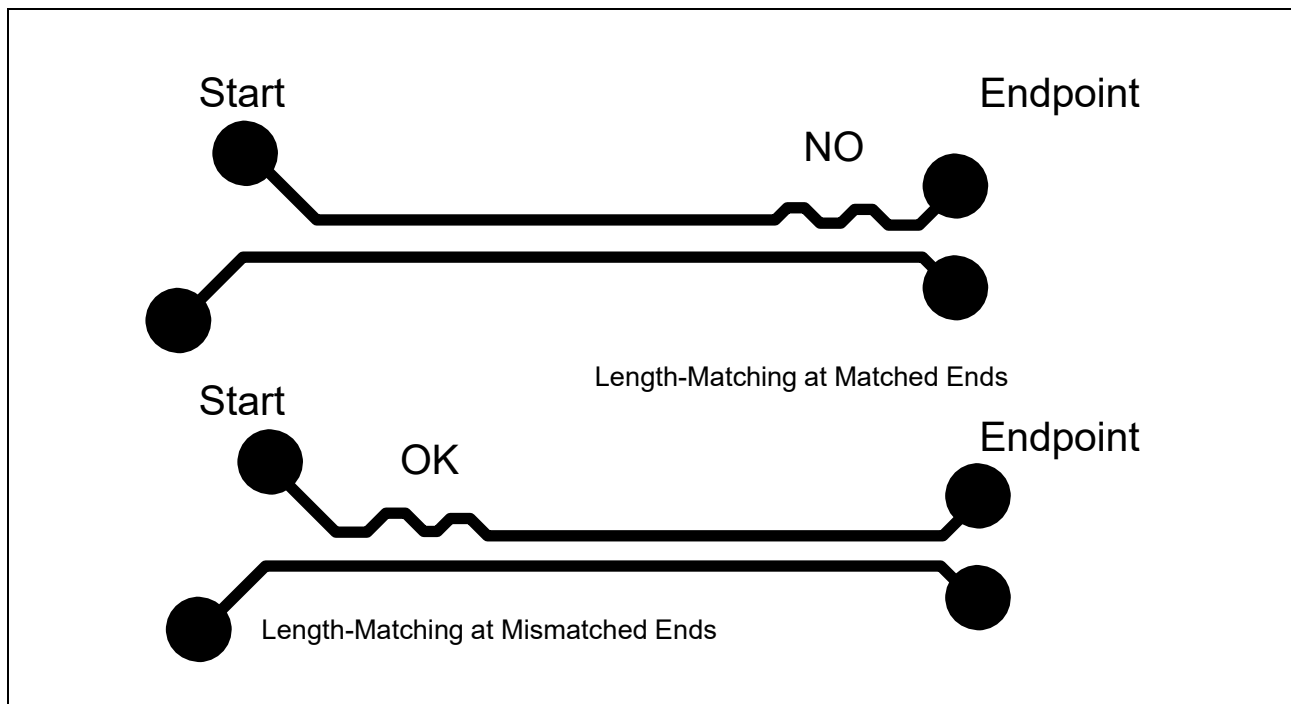


Figure C.3 Wire Length Matching

Differential Signal

Differential signals should be routed parallel and symmetrical.

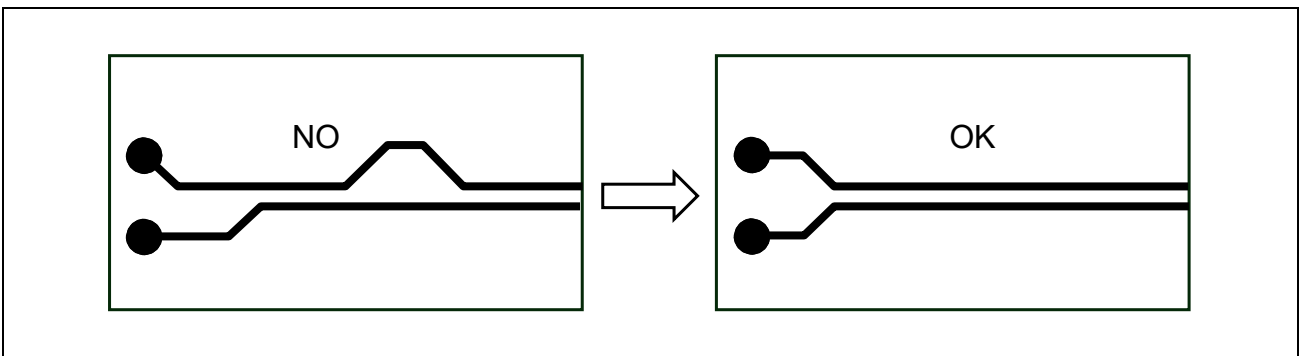


Figure C.4 Parallel and Symmetrical Trace

Do not place any components or vias between differential signals.

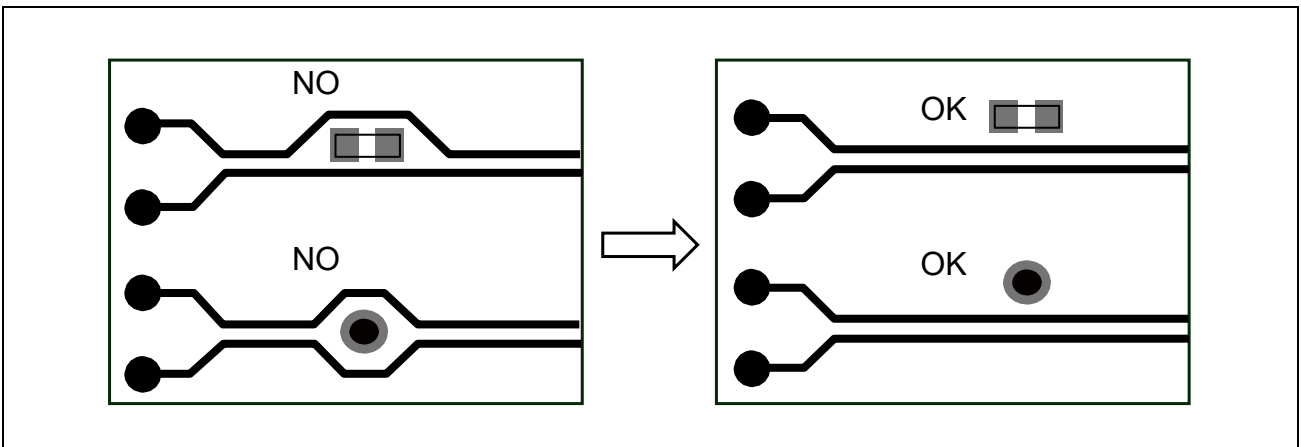


Figure C.5 Components between the Traces

The vias should be symmetrical.

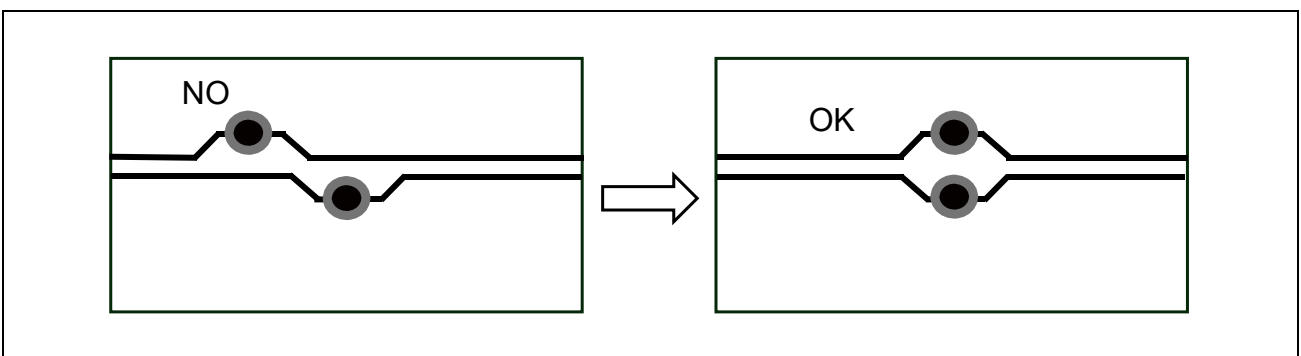


Figure C.6 Symmetrical Vias on the Traces

Differential signals should be routed at the same layer and with the same number of vias.

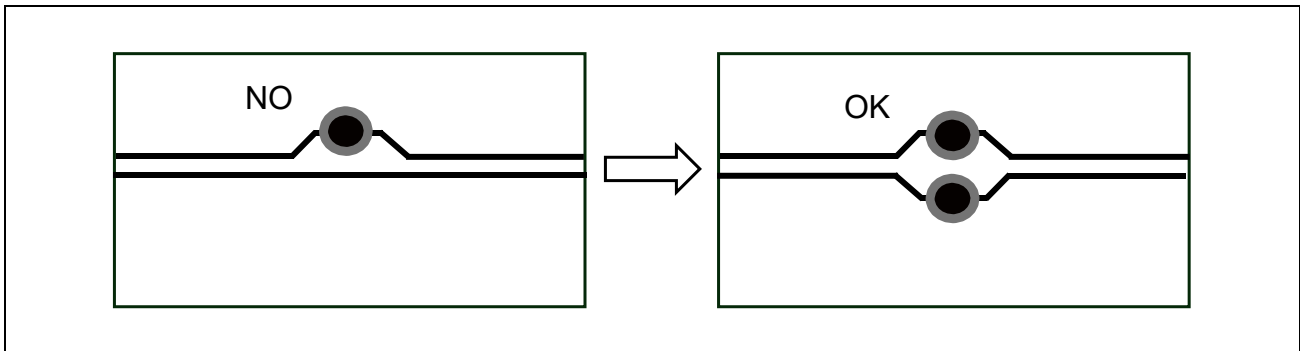


Figure C.7 Same Number of the Vias

The coupling capacitors should be placed symmetrically.

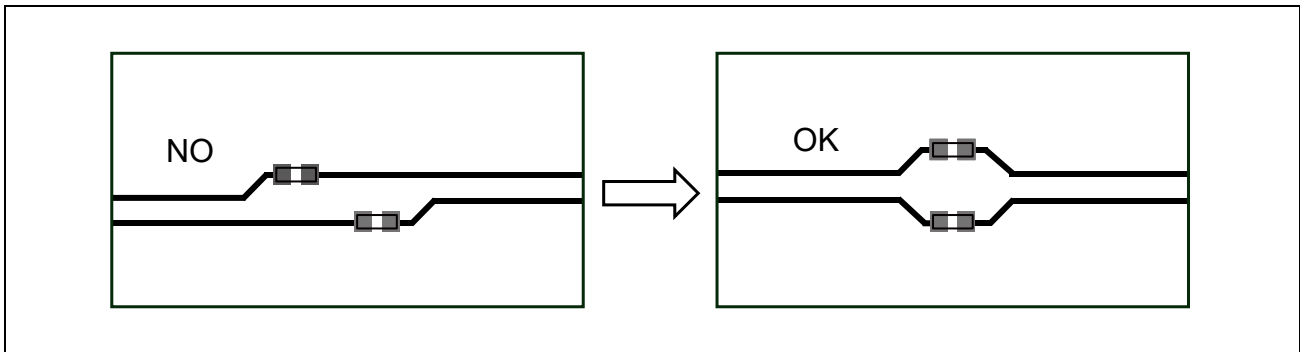


Figure C.8 Symmetrical Placement of Capacitors

REVISION HISTORY	RZ/G3E PCB Design Guidelines for High Speed Signal Interfaces and Others
------------------	--

Rev.	Date	Description	
		Page	Summary
1.00	July 08, 2025	—	First edition issued
1.10	Mar. 18, 2026	12, 30	For sections 2.1.1 “General Guidelines” and 5.1.2 “Differential Signals”, the required line impedance for MIPI was modified.
		18, 26	For sections 3.2 “Power Supply” and 4.2 “Power Supply”, the target loop inductance for USB was added.
		41 to 43	For Appendix A “Concept of Loop Inductance”, the method for calculating loop inductance was added.
1.20	May 19, 2026	18	For sections 3.2 “Power Supply”, the 47-uF capacitor for USB 2.0 power supply was added as a DNP option.
		23	For sections 4.1.1 “General Guidelines”, the required line impedance for USB 3.2 Gen2 was modified.
		26	For sections 4.2 “Power Supply”, the 47-uF capacitor for USB 3.2 Gen2 power supply was added as a DNP option.
		32	For sections 5.2 “Power Supply”, the loop inductance requirement was updated by removing the condition related to PCIe compliance testing.
		33	For sections 5.3 “Clock Input”, the required clock line impedance for PCIe was added.

RZ/G3E
PCB Design Guidelines for High Speed Signal Interfaces and
Others

Publication Date: Rev.1.00 July 08, 2025
 Rev.1.20 May 19, 2026

Published by: Renesas Electronics Corporation

RZ/G3E
PCB Design Guidelines for High Speed Signal
Interfaces and Others